

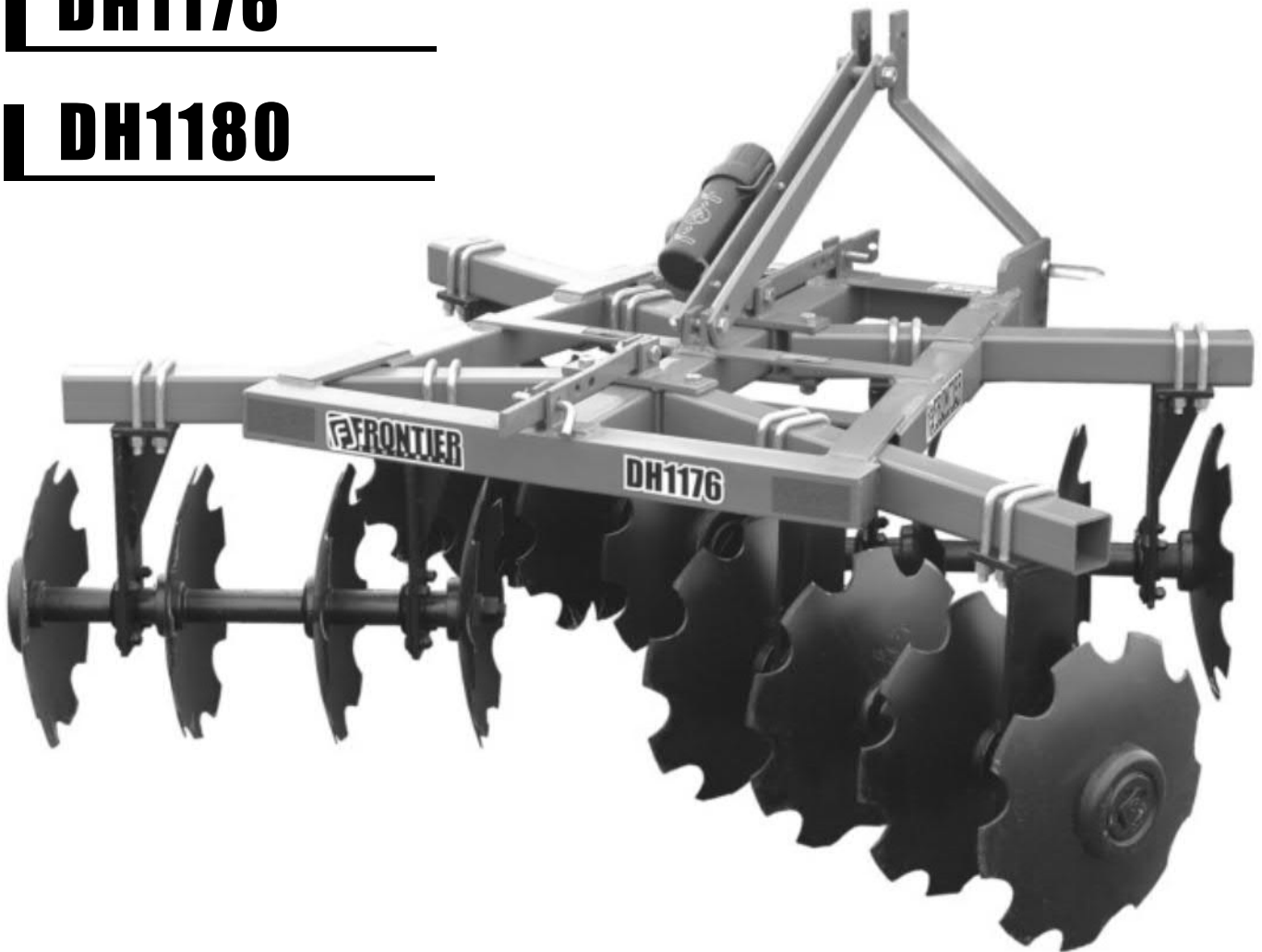
OPERATOR'S MANUAL

DISK HARROWS

DH1166

DH1176

DH1180



FRONTIER
EQUIPMENT



Suggest:

For more complete manuals. Please go to the home page.

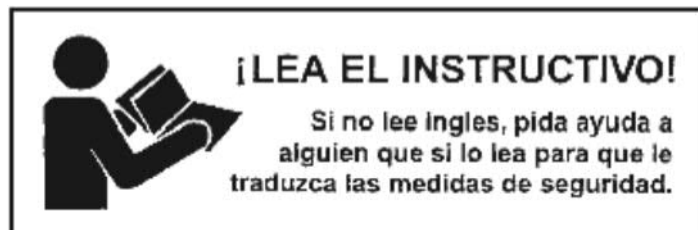
<https://www.ebooklibonline.com>

If the above button click is invalid. Please download this document first, and then click the above link to download the complete manual.

Thank you so much for reading

TABLE OF CONTENTS

INTRODUCTION	ii
SPECIFICATIONS / GENERAL INFORMATION	1
SAFETY DECALS	2 - 3
SAFETY RULES	4 - 6
DEALER INSTRUCTIONS	7
OPERATION	8 - 9
TROUBLE SHOOTING.	10
OWNER SERVICE	11
PARTS CATALOG	12 - 14
OPTIONAL EQUIPMENT	15
BOLT SIZE AND BOLT TORQUE CHART	16



<https://www.ebooklibonline.com>

Hello dear friend!

Thank you very much for reading.

Enter the link into your browser.

The full manual is available for immediate download.

<https://www.ebooklibonline.com>

<https://www.ebooklibonline.com>

Hello dear friend!

Thank you very much for reading.

Enter the link into your browser.

The full manual is available for immediate download.

<https://www.ebooklibonline.com>