

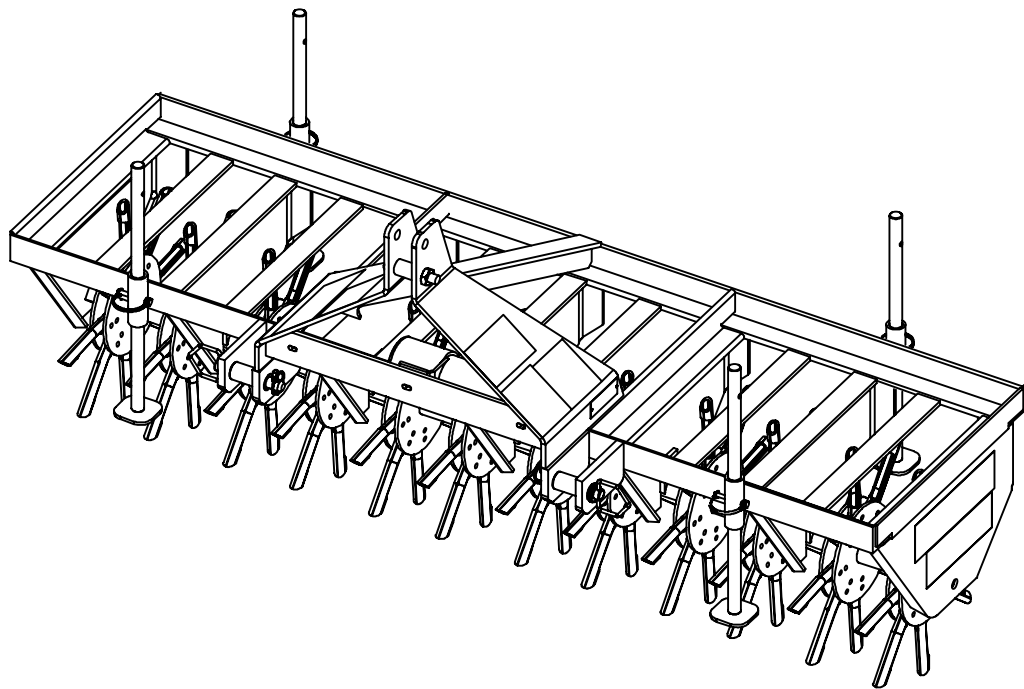
O P E R A T O R ' S M A N U A L

CORE AERATORS

CA1048

CA1060

CA1072





Suggest:

For more complete manuals. Please go to the home page.

<https://www.ebooklibonline.com>

If the above button click is invalid. Please download this document first, and then click the above link to download the complete manual.

Thank you so much for reading

TABLE OF CONTENTS

INTRODUCTION	2
SPECIFICATIONS	4
GENERAL INFORMATION	4
SAFETY RULES	5
SAFETY DECALS	7
OPERATION	9
OWNER SERVICE.....	11
STORAGE	12
ASSEMBLY	12
DEALER CHECK LISTS	12
PARTS LIST.....	13
BOLT TORQUE CHART	14
BOLT SIZE CHART & ABBREVIATIONS.....	15

<https://www.ebooklibonline.com>

Hello dear friend!

Thank you very much for reading.

Enter the link into your browser.

The full manual is available for immediate download.

<https://www.ebooklibonline.com>

<https://www.ebooklibonline.com>

Hello dear friend!

Thank you very much for reading.

Enter the link into your browser.

The full manual is available for immediate download.

<https://www.ebooklibonline.com>