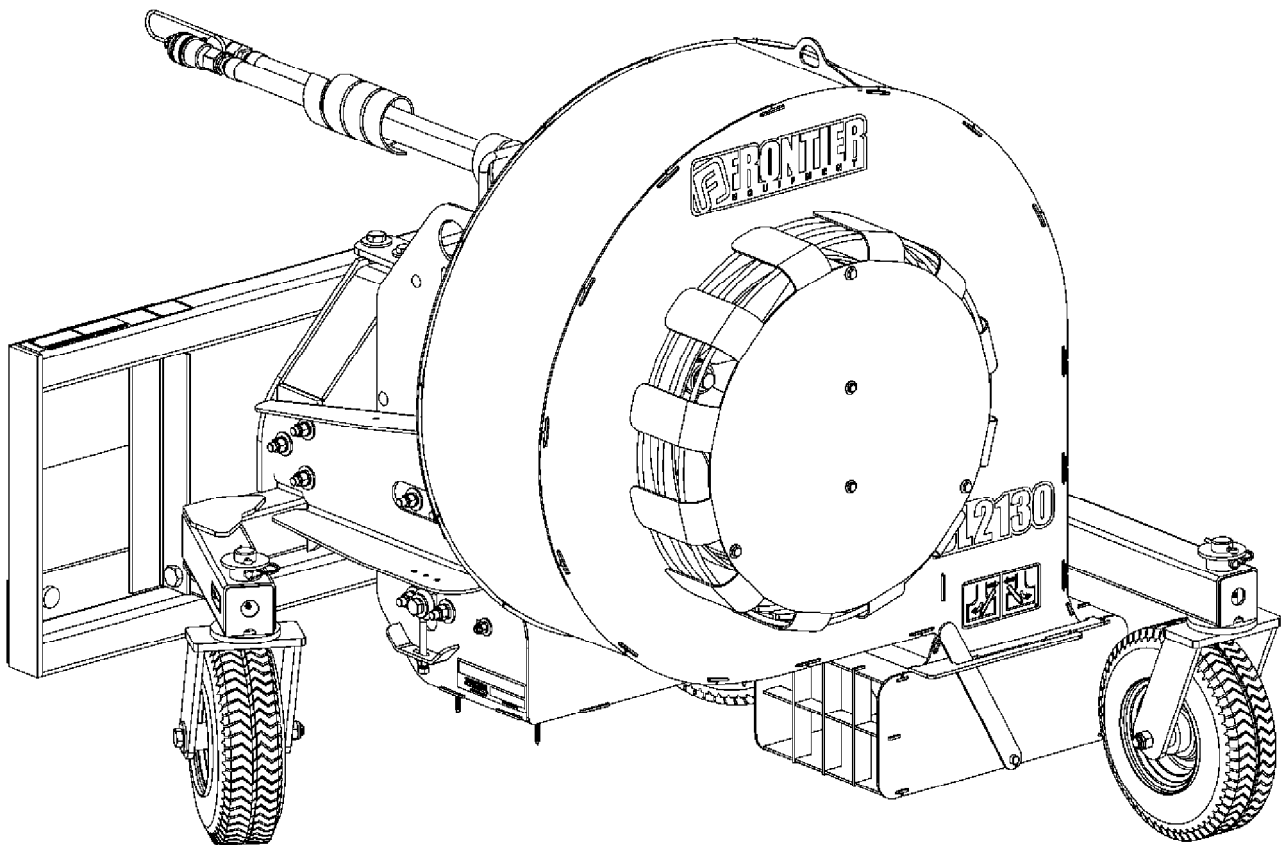


OPERATOR'S MANUAL

# Hydraulic DEBRIS BLOWER

BL2130



**FRONTIER**  
EQUIPMENT

OM 0401-A  
02/11

---

# TABLE OF CONTENT

---

SPÉCIFICATIONS.....	3
INTRODUCTION – TO THE PURCHASER.....	4
SAFETY .....	5-11
Before Operation .....	5
Notice .....	6
Debris Blower .....	6
Before Operation.....	6
Debris Blower Operation .....	7
The Tractor .....	8
General Information .....	8
Operating the Tractor.....	8
During Operation.....	9
Maintenance .....	10
Transportation .....	11
Storage .....	11
DECALS.....	12
ASSEMBLY .....	13-18
Tractor Preparation .....	13
Debris Blower Assembly.....	13
Debris Blower removing front wooden crate .....	14
Installation of the Debris Blower .....	14
Installation of the Hydraulic Hoses .....	15
Installation of the Cooling Unit – 5RDF0036 .....	16-17
Removing Debris Blower from Tractor.....	18

---

# TABLE OF CONTENT

---

OPERATION .....	19-21
Optimum Performances .....	19
General Preparation .....	19
Operating Controls .....	20
Debris Blower Commands .....	20
Debris Blower Utilization .....	20
Nozzle air ejection Orientation .....	20
Adjustments .....	21
Belt Tension Adjustment .....	21
MAINTENANCE.....	22-26
Maintenance .....	22
Storage .....	22
Hydraulic Oil .....	22
Lubrication .....	23
Periodic Checks .....	23
Belt Replacement.....	24
Impeller Removing and Reinstallation.....	25
Troubleshooting .....	26
PARTS .....	27-36
Introduction .....	27
Manual Holder.....	27
Debris Blower –Belt Drive System .....	28-29
Debris Blower – Housing .....	30
Debris Blower – Impeller Housing.....	31
Debris Blower – Hitch and Wheels.....	32
Hydraulic Components .....	33
Hydraulic Motor - 5RD3910088.....	34-35
Cooling Unit – 5RDF0036 (Option).....	36
TORQUE SPECIFICATION TABLE .....	37-39

**<https://www.ebooklibonline.com>**

Hello dear friend!

Thank you very much for reading.

Enter the link into your browser.

The full manual is available for immediate download.

**<https://www.ebooklibonline.com>**

**<https://www.ebooklibonline.com>**

Hello dear friend!

Thank you very much for reading.

Enter the link into your browser.

The full manual is available for immediate download.

**<https://www.ebooklibonline.com>**



**Suggest:**

**For more complete manuals. Please go to the home page.**

**<https://www.ebooklibonline.com>**

**If the above button click is invalid. Please download this document first, and then click the above link to download the complete manual.**

**Thank you so much for reading**

---

## SPECIFICATION

---

Features and Specifications	BL2130
Recommended Flow	12 to 23 gpm
Recommended Pressure	2000 @ 3000 psi
Air flow	6061 cfm @ 20 gpm
Impeller dimension	29 3/4" x 10" – 12 blades
Impeller speed	1560 rpm to 20 gpm
Air velocity	141 m/h – 227 km/h
Outlet area	70.4 sq.in – 454.2 sq.cm
Drive	Belt 4-5VX560 "power band"
Impeller Drive	125 cc/rev hydraulic motor
Check Valve	Impeller motor
Main Hydraulic Hoses	3/4"
Approx. Set-up Time	2 to 3 hours ( including hydraulic pump)
Directional control	Manual – left or right
Ground clearance	3 1/8"
Height adjustment	Determined by tractor
Caster wheel	3 wheels – 12" dia. X 3" pneumatic
Impeller housing	Rear & front panel: 10ga Housing edge : 12ga
Dimension	46 1/2" length x 48 1/2" height x 49 1/4" width
Weight	655 lbs