

OPERATOR'S MANUAL

DEBRIS BLOWER

BL1130

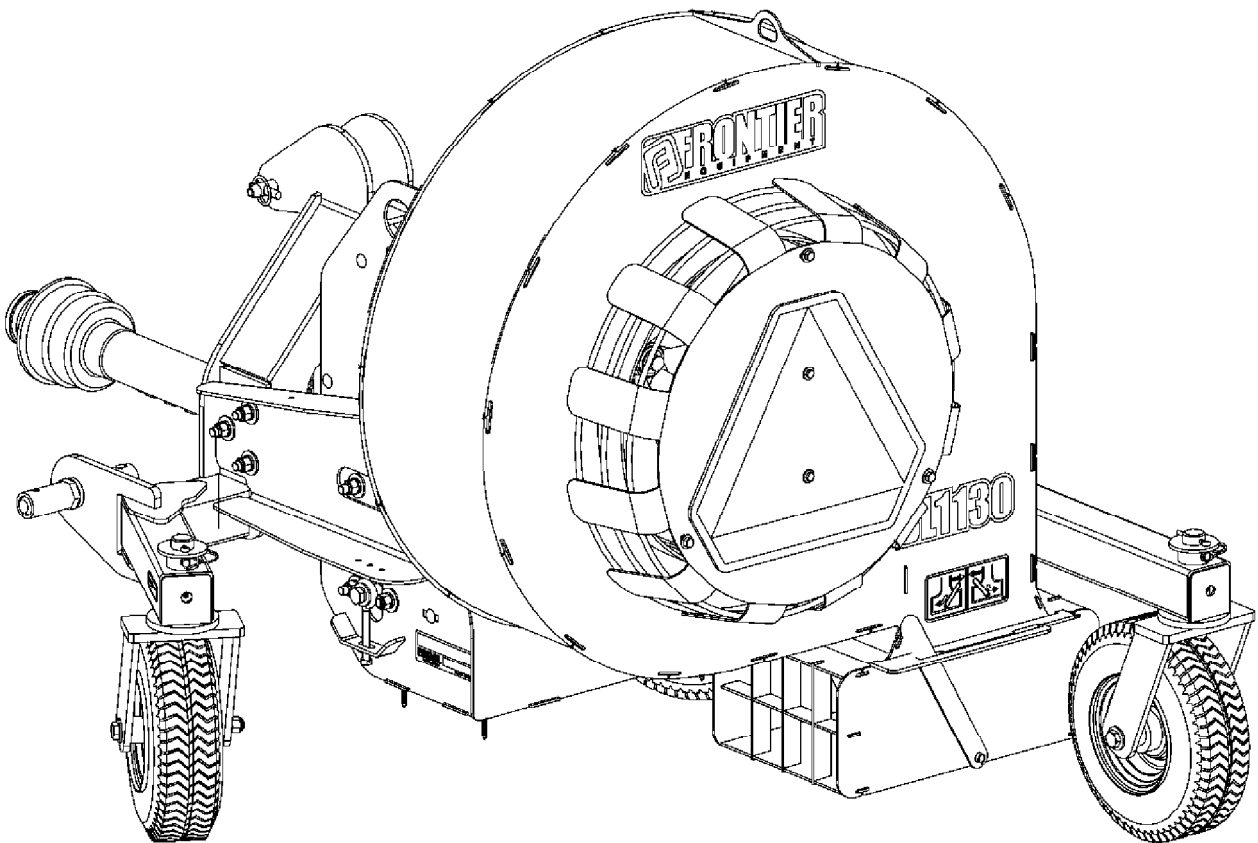


TABLE OF CONTENT

SPECIFICATIONS.....	3
INTRODUCTION – TO THE PURCHASER.....	4
SECURITY.....	5-9
Before Operation.....	5
Notice.....	6
Debris Blower.....	6
Before Operation.....	6
Debris blower Operation.....	7
The Tractor.....	8
General Information.....	8
Operating the Tractor.....	8
During Operation.....	8
Maintenance.....	9
Transportation.....	9
Storage.....	9
DECALS.....	10
ASSEMBLY.....	11-18
Tractor Preparation.....	11
Debris Blower Assembly.....	11
Debris Blower removing front wooden crate.....	11
Debris Blower Installation on a Three Point Hitch.....	12
Installation of the Debris Blower with a Quick Hitch Cat. 1.....	13
Installation of the Debris Blower with a Quick Hitch Cat. 2.....	13
Driveline Preparation.....	14
How To Determine Driveline Angles.....	14
Angles at Each End Of Driveline.....	15
Determining Driveline Length.....	15-16
Driveline Installation.....	17
Removing Debris Blower from Tractor.....	18

TABLE OF CONTENT

OPERATION	19-21
General Preparation	19
Roadway Transport	19
OPERATION	20
Debris Blower Commands	20
Debris Blower Utilisation.....	20
Nozzle air ejection Orientation	20
Adjustments	21
Reduction Chain Tension Adjustment	21
MAINTENANCE.....	22-28
Maintenance	22
Shear Bolt.....	22
Lubrication.....	23
Periodic Checks	23
Belt Replacement.....	24
Impeller Removing and Reinstallation.....	25
Driveline Troubleshooting	26-28
PARTS	29-35
Introduction	29
Manual Holder.....	29
Debris Blower – Housing	30
Debris Blower – Drum.....	31
Debris Blower – Belt Drive.....	32-33
Debris Blower – Hitch and Wheels.....	34
Driveline 5RD4700159	35
TORQUE SPECIFICATION TABLE	36

<https://www.ebooklibonline.com>

Hello dear friend!

Thank you very much for reading.

Enter the link into your browser.

The full manual is available for immediate download.

<https://www.ebooklibonline.com>

<https://www.ebooklibonline.com>

Hello dear friend!

Thank you very much for reading.

Enter the link into your browser.

The full manual is available for immediate download.

<https://www.ebooklibonline.com>



Suggest:

For more complete manuals. Please go to the home page.

<https://www.ebooklibonline.com>

If the above button click is invalid. Please download this document first, and then click the above link to download the complete manual.

Thank you so much for reading

SPECIFICATION

Features and Specifications	BL1130
Power source	30HP tractor – PTO 540 rpm 25 HP PTO
Category Compatibility 3 point	Standard cat.1 & cat.2
Quick Hitch Compatibility	ASABE Compatible Cat. 1 & 2
Air flow	6061 cfm
Impeller dimension	29 3/4" x 10" – 12 blades
Impeller speed	1453 rpm to 540 rpm
Air velocity	141 m/h – 227 km/h
Outlet area	70.4 cu.in – 454.2 cu.cm
Drive	Belt 4-5VX560 "power band"
Driveline	40 series
Directional control	Manual Panel – left or right
Ground clearance	3 1/8"
Height adjustment	Determined by tractor
Caster wheel	3 wheels – 12" dia. X 3" pneumatic
Impeller housing	Rear & front panel: 10ga Housing edge : 12ga
Dimension	46 1/2" length x 48 1/2" height x 49 1/4" width
Weight	655 lbs