

OPERATOR'S MANUAL

FRONT BLADE

MODEL FB1016

GREENSYSTEM

OPERATOR'S MANUAL

Front Blade



John Deere SE Asia

Introduction:

READ THIS MANUAL carefully to learn how to operate and service your machine correctly. Failure to do so could result in personal injury or equipment damage.

THIS MANUAL SHOULD BE CONSIDERED a permanent part of your machine and should remain with the machine when you sell it.

MEASUREMENTS in this manual are give in both metric and customary U.S. unit equivalents.

Use only correct replacement parts and fasteners.

Mertric and inch fasteners may require a specific metric.

RIGHT-HAND AND LEFT-HAND side are determined by facing in the direction of forward travel.

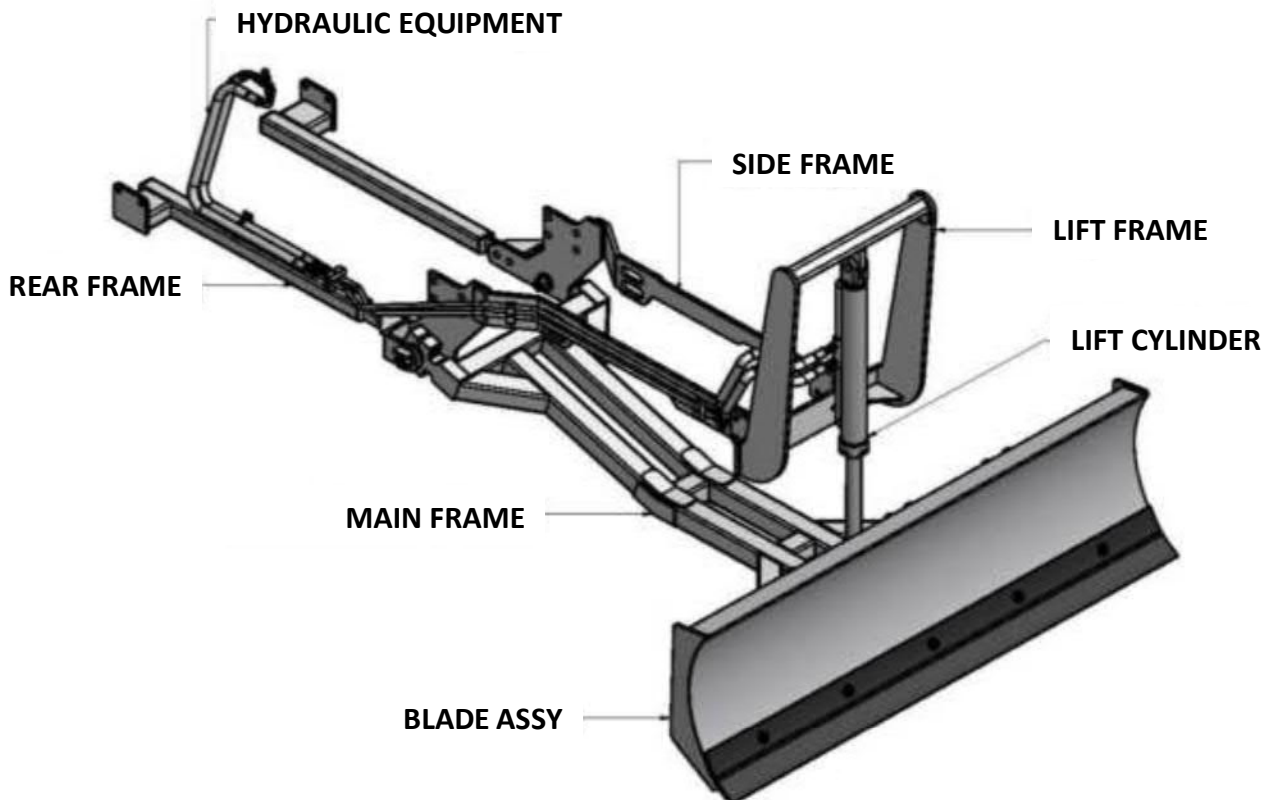
WRITE PRODUCT IDENTIFICATION NUMBERS (P.I.N.) in the Specification or Identification Number section.

Accurately record all the numbers to help in tracing the machine should it be stolen. File the

identification numbers in a secure place; do not keep them on the machine.

WARRANTY is provided as part of John Deere support program for customers who operate and maintain their equipment as described in this manual. The warranty is explained on the warranty certificate which you should have received from John Deere.

This warranty provides you the assurance that John Deere will back its products where defects appear within the warranty period. In some circumstances, John Deere also provides field improvements, often without charge to the customer, even if the product is out of warranty. Should the equipment be abused, or modified to change its performance beyond the original factory specifications, the warranty will become void and field improvements may be denied.



<https://www.ebooklibonline.com>

Hello dear friend!

Thank you very much for reading.

Enter the link into your browser.

The full manual is available for immediate download.

<https://www.ebooklibonline.com>

<https://www.ebooklibonline.com>

Hello dear friend!

Thank you very much for reading.

Enter the link into your browser.

The full manual is available for immediate download.

<https://www.ebooklibonline.com>

A Message to Our Customers

We appreciate the confidence placed in us by your purchase of this machine. Before this machine was brought to the market, countless hours were spent designing and testing to ensure that its performance would be at the highest level. To achieve maximum performance, it is imperative this machine be operated in accordance with the procedures outlined in this manual.

Information in this manual is divided into sections. These sections are identified at the top of each page. Specific information within each section is organized into modules. These modules are encased in boxes with principle modules identified with a heading at the top left side of the box.

Two-part page numbers identify both the section and page of that section.

By reviewing this manual often, one will quickly learn which section to go to for specific information.

For instance, machine adjustments would be found in the Operating Machine section, lubrication intervals in the Lubrication section, opener maintenance in the Service section, etc. A detailed Table of Contents is found immediately behind this page, and an Index is provided at the back of the manual.

Thank you very much for purchasing this machine.

Customer Responsibility

It is the Customer or Operator's responsibility to read the Operator's Manual, to operate, lubricate, maintain and store the product in accordance with all instructions and safety procedures. Failure of the operator to read the Operator's Manual is a misuse of this equipment.

It is the Customer's or Operator's responsibility to inspect the product and to have any parts repaired or replaced when continued operation would cause damage or excessive wear to other parts or cause safety hazards.

It is the Customer's responsibility to deliver the product to Authorized Dealer, from whom they purchased it, for service or replacement of defective parts which are covered by warranty. Repairs to be submitted for warranty consideration must be made within thirty days (30) of failure.

It is the Customer's responsibility for any cost incurred by the Dealer for travelling to or hauling of the product for the purpose of performing a warranty obligation or inspection.



Suggest:

For more complete manuals. Please go to the home page.

<https://www.ebooklibonline.com>

If the above button click is invalid. Please download this document first, and then click the above link to download the complete manual.

Thank you so much for reading

Contents

	P.		P.
Inspection Checklists	6	Attaching and Detaching the Front Blac	18
Pre-Delivery Inspection	6	Use Your Tractor Operator Manual	18
Delivery Inspection	6	Tractor Requirement	18
After-Sales Inspection	7	The Process of Assembly and	19
Inspection Before Each Day of	7	Installation	
Operation		Transporting	25
Owner's Record	7	Operating the FRONT DOZER BLADE	26
Safety	8	Parking	26
Recognize safety information	8	Field Operation	26
Understand Signal Words	8	Starting Operation	26
Prevent Machine Runaway	8	Start and Stop	26
Follow Safety Instructions	8	Lubrication and Maintenance	27
Operate Machine Safely	9	Safe Lubrication and Maintenance of	27
Keep Riders Off Machine	9	the Blade	
Avoid Rollover Accident	9	Lubrication and Maintenance	27
Wear Protective Clothing	10	Procedures	
Prepare for Emergencies	10	Grease	28
Use Safety Lights and Devices	10	Lubrication Symbols	28
Transport Safety	11	Alternative Lubricants	28
Tow Loads Safety	12	Lubrication of Front Blade	28
Comply with the Transport Speed Limit	12	Daily or Every 8 Hours Work	28
Service Machine Safety	12	Weekly or Every 50 Hours Work	28
Practice Safe Maintenance	13	Every 400 Hours Work	28
Remove Paint Before Wedding or Heati	13	Every 1000 Hour Work	28
Store Attachmens Safety	14	Practise Safe Maintenance	29
Dispose of Waste Property	14	Metric Toruqe and Screw Value	30
Safety Signs	15	Unified Inch Bolt and Screw Torque Val	31
Safety Sign Locations	15	Supporting Raised Machine	32
Caution -Read Operator Manual	16	Maintenance of FRONT DOZER BLADE	32
Caution -High pressure fuild injection in	16	Blade Replacement	33
Caution -Cutting of foot	16	Storage	33
Preparing the Tractor	17	Trouble shooting	34
Use Your Tractor Operator's Manual	17	Specification	35
Front Counterweight	17	Serial Number	35
Rear Wheel Counterweight	17	Keep Machine Secure	35
Determining Front End Ballast Without	17	Parts List	36
Implement Codes		WARRANTY FOR "GREENSYSTEM"	46
Tightening Hardware	17	PRODUCT IN THAILAND	