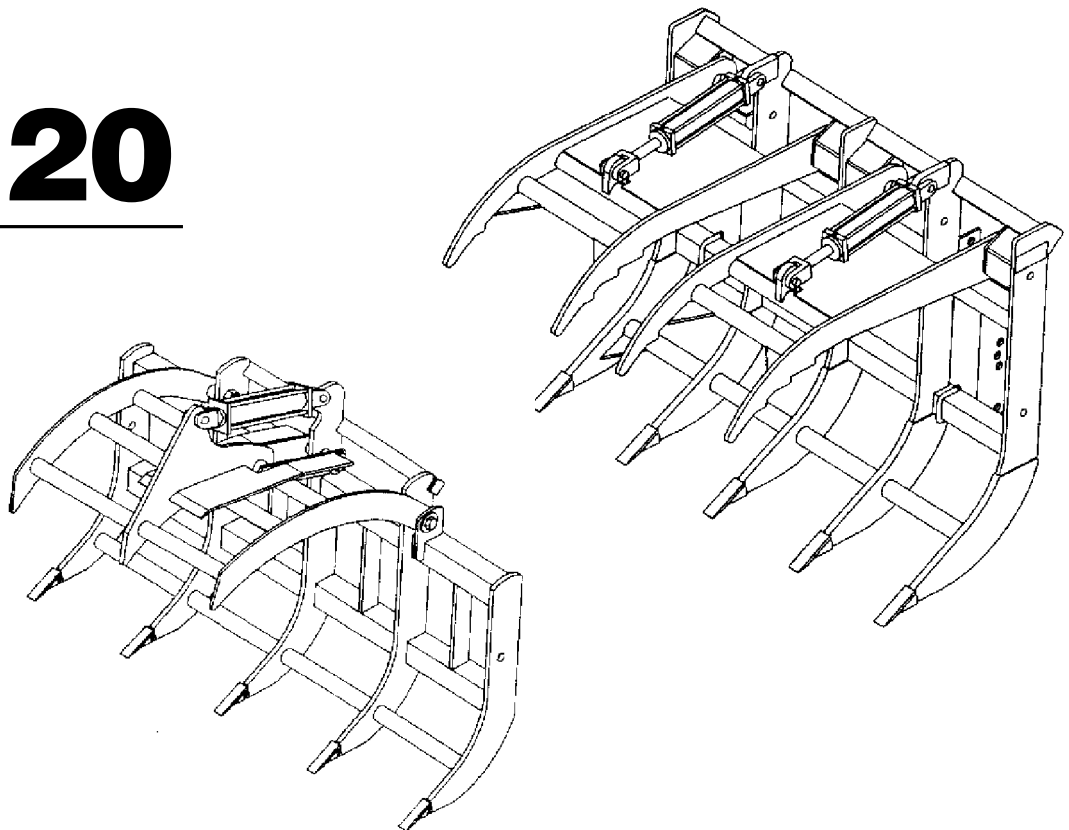


OWNER'S / OPERATOR'S MANUAL

ROOT GRAPPLE LOADER ATTACHMENTS

AV20



FRONTIER
EQUIPMENT™



Suggest:

For more complete manuals. Please go to the home page.

<https://www.ebooklibonline.com>

If the above button click is invalid. Please download this document first, and then click the above link to download the complete manual.

Thank you so much for reading

TABLE OF CONTENTS

INTRODUCTION	ii - 1
SPECIFICATIONS	2
GENERAL INFORMATION	2
SAFETY RULES	3 - 5
SAFETY DECALS	6 - 7
DEALER ASSEMBLY	8
DEALER CHECK LISTS	9
INSTALLATION	10 - 15
OPERATION	16 - 18
OWNER SERVICE	19
STORAGE	19
TROUBLE-SHOOTING GUIDE	20 - 21
PARTS LISTS	22 - 29
PRODUCT WARRANTY	30
REPLACEMENT PARTS WARRANTY	31
BOLT TORQUE CHART	32
BOLT SIZE CHART & ABBREVIATIONS	33

<https://www.ebooklibonline.com>

Hello dear friend!

Thank you very much for reading.

Enter the link into your browser.

The full manual is available for immediate download.

<https://www.ebooklibonline.com>

<https://www.ebooklibonline.com>

Hello dear friend!

Thank you very much for reading.

Enter the link into your browser.

The full manual is available for immediate download.

<https://www.ebooklibonline.com>