

**6650, 6750,
6850 and 6950
Self-Propelled
Forage Harvesters**
(From Serial No. 504341)

**John Deere Werke Zweibrücken
OMZ92831 Issue K9**

European Version
Printed in Germany
ENGLISCH

Contents

	Page		Page
Identification Views	00-1	Automatic kernel processor roll clearance	20-28
Safety		Manual kernel processor roll clearance	20-28
General	05-1	ROW-TRAK control unit	20-29
Operation	05-5	Area counter	20-38
Service	05-11		
Safety Decals	10-1	Lighting System and Signals	
Controls and Instruments		Parking lights/low-beam headlights	25-1
General view	15-1	Full-beam headlights	25-1
Switch console	15-2	Turn signals	25-3
Multi-function lever	15-6	Work lights	25-5
Corner post	15-7	Beacon lights	25-6
Roof switch console	15-8	Hazard warning lights	25-6
Roof console	15-9	Indicator light test	25-7
Automatic function control	15-10		
Steering column	15-11	Operator's Cab	
Switch console — functions	15-12	Operator's seat	30-1
Multi-function lever — functions	15-20	Lumbar support	30-2
Roof switch console — functions	15-23	Left-hand armrest	30-3
Steering column — functions	15-25	Right-hand armrest	30-3
Warning Devices and Monitors		Air comfort seat	30-5
Indicator lights I	20-1	Passenger seat	30-5
Indicator lights II	20-6	Storage compartment for Operator's	
Fuel gauge	20-9	Manuals	30-6
Coolant temperature gauge	20-9	Cooling compartment	30-6
Automatic function control lights	20-10	Steering column	30-7
Infotrak monitor	20-11	Foot brakes	30-8
Input of specific machine data	20-15	Parking brake	30-8
Software version	20-15	Releasing parking brake	30-8
Cutterhead alarm speed	20-18	Sun visor	30-9
SERVICE information	20-19	Inside mirror	30-9
Automatic function control	20-20	Outside mirror	30-9
Sharpening cycles	20-21	Interior lighting	30-9
Automatic knife sharpening	20-22	Adjustable air louvers	30-10
Sharpening stone home position (manual)	20-24	Radio and CB radio	30-11
Automatic stationary knife adjustment	20-24		
Manual stationary knife adjustment	20-26	Pre-Starting Checks	
Kernel processor roll clearance	20-27	Daily checks	35-1
		Engine oil level	35-1
		Hydraulic oil level	35-1
		Fuel level	35-2
		Tires	35-2

Continued on next page

All information, illustrations and specifications in this manual are based on the latest information available at the time of publication. The right is reserved to make changes at any time without notice.

OMZ92831 K9-19-01NOV99

COPYRIGHT© 1999
DEERE & COMPANY
European Office Mannheim
All rights reserved
A John Deere ILLUSTRATION® Manual

Contents

	Page		Page
Fuel system	35-3	Changing harvesting unit	65-5
Lubricating the forage harvester	35-3	Field operation of forage harvester	65-5
Checks in operator's cab	35-4	Reverser operation	65-10
Operating the Engine			
Starting the engine	40-1	Feed System	
Engine oil pressure indicator light	40-4	Safety information	70-1
Warming up the engine	40-4	Locking pin	70-1
Engine idle	40-4	Electro-magnetic clutch	70-2
Ether starting aid	40-5	Cutterhead speed sending unit	70-4
Booster battery	40-8	Length-of-cut transmission	70-4
Stopping the engine	40-9	Adjusting length of cut	70-5
Cold-weather operation	40-9	Harvesting unit speed	70-6
Driving and Transporting Forage Harvester			
Driving the forage harvester	45-1	Feed roll slip clutch	70-7
Releasing the parking brake	45-1	Length-of-cut transmission service	70-7
Operating foot brakes	45-2	Feed roll drive	70-9
Engaging a gear	45-2	Replacing wear plates	70-9
Road safety switch	45-3	Upper feed roll guides	70-11
Adjusting engine speed	45-3	Feed roll spring attaching points	70-12
Forward and reverse travel	45-4	Adjusting feed roll springs	70-13
Travel speed	45-4	Opening feed roll housing	70-13
Hydrostatic system	45-5	Smooth roll scraper	70-14
Four-wheel drive	45-6	Closing feed roll housing	70-15
Back-up alarm	45-7	Feed roll housing safety switch	70-16
Transport information	45-7	Hydraulic reverser motor	70-16
Wheels and Ballast			
Tire maintenance	50-1	Troubleshooting — feed system	70-17
Tire pressures	50-7	Metal Detector	
Overall width and track width	50-8	Metal detector operation	75-1
Wheel rim chart	50-11	Activating the metal detector	75-2
Rear weights	50-11	Operating without metal detector	75-3
Harvesting Units and Attachments 55-1			
Attaching and Detaching Harvesting Units			
Attaching 6-row row-crop unit	60-1	When ferrous metal is detected	75-4
Preparations and Field Operation			
Preparations for harvesting grass	65-1	Adjusting the locking pawl	75-5
Preparations for harvesting corn (maize)	65-1	Metal detector test	75-7
Preparations for harvesting ear corn silage	65-2	Safety rules	75-9
Preparations for harvesting whole-plant silage	65-3	Electronic box	75-10
Preparations for harvesting sorghum	65-3	Relay box	75-11
Adjusting area counter switch	65-3	Indicator light test chart	75-15
Cutterhead, Drives, Guards, Covers			
		Access to engine	80-1
		Drive	80-5
		Main clutch	80-6
		Replacing main drive belt	80-9
		Checking belt alignment	80-11
		Cutterhead knives	80-12
		Replacing partial set of knives	80-14
		Replacing complete set of knives	80-15
		Replacing clamp bar	80-17

Continued on next page

<https://www.ebooklibonline.com>

Hello dear friend!

Thank you very much for reading.

Enter the link into your browser.

The full manual is available for immediate download.

<https://www.ebooklibonline.com>

Contents

	Page		Page
Replacing threaded bar	80-18	Power Chute	
Knife screw torque	80-19	Power chute	86-1
Preparations for knife sharpening	80-20	Service and operation	86-7
Manual knife sharpening	80-20	Drive belts	86-7
Automatic knife sharpening device	80-24	Discharge	
Replacing sharpening stone	80-26	Blower and discharge spout	90-1
Aligning knife sharpening device	80-28	Blower bottom	90-1
Sharpening stone end switch	80-29	Replacing wear plate	90-1
Adjusting stationary knife	80-31	Installing wear plate	90-3
Checking stationary knife	80-36	Adjusting blower paddles	90-4
Removing stationary knife	80-37	Adjusting deflecting edges	90-5
Installing stationary knife	80-38	Spout worm gear and ring gear	90-7
Eliminating end play of adjusting spindle	80-41	Fuel, Lubricant, Coolant and Capacities	
Bottom and outlet bands	80-42	Fuel	95-1
Adjusting bottom band	80-42	Diesel engine oil	95-2
Adjusting outlet band	80-43	Engine coolant	95-5
Recirculating screens	80-45	Transmission oil	95-6
Installing/changing recirculating screen	80-45	Brake fluid	95-10
Adjusting recirculating screen	80-48	Grease	95-10
Installing spiral floor	80-50	Lubrication, Periodic Service	
Adjusting recutter floor	80-52	Lubrication charts	100-3
Adjusting spiral floor	80-52	Central lubrication system	100-11
Adjustment chart	80-52	Break-in service	100-20
Adjusting the service cover	80-55	Service intervals	100-21
Transition chute	80-55	After the first 100 operating hours	100-22
Cutterhead service cover	80-56	Every 250 operating hours	100-23
Removing cutterhead with harvesting unit	80-57	Every 500 operating hours	100-23
Installing cutterhead with harvesting unit	80-61	Every 1000 operating hours	100-24
Main drive troubleshooting	80-62	Every 1500 operating hours	100-24
Cutterhead troubleshooting	80-63	Every 2000 operating hours	100-24
Knife sharpener troubleshooting	80-64	As required	100-24
Stationary knife troubleshooting	80-66	Every year	100-25
Kernel Processor		Every 2 years	100-25
Kernel processor quick conversion	85-1	V-belts	100-25
Adjusting service cover	85-6	Chains	100-26
Installing/removing kernel processor	85-8	Service — Engine	
Breaking-in kernel processor	85-9	Engine compartment	105-1
Field operation	85-9	Adjusting engine valve clearance	105-1
Kernel processor service	85-9	Rocker arm cover and crankcase ventilation	105-2
Adjusting roll spacing	85-10	Checking crankcase oil level	105-4
Adjusting stop screws	85-11	Changing engine oil and filter	105-5
Adjusting clearance indicator	85-11	Service — fuel system	105-10
Pretension, lower roll drive belt	85-12	Fuel filler neck	105-11
Adjusting scrapers	85-12	Fuel tank water trap	105-11
Roll wear and replacement	85-13	Fuel system, John Deere engine	105-12
Potentiometer, automatic adjustment	85-13		
Replacing lower roll drive belts	85-14		
Troubleshooting	85-15		

Continued on next page

Contents

	Page		Page
Fuel system, Cummins engine	105-14	Service — Hydraulic System	
Fuel shut-off valve	105-15	Pressure relief valve	115-1
Water trap, John Deere engine	105-15	Accumulators	115-3
Fuel filter, John Deere engine	105-16	Pressure control switch	115-4
Checking fuel injection nozzles	105-17	Hydraulic components — neutral oil flow . . .	115-5
Bleeding the fuel system	105-17	Draining hydraulic oil	115-11
Fuel filter, Cummins engine	105-19	Replacing hydraulic oil filter	115-11
Trailer hitch	105-20	Refilling with hydraulic oil	115-12
Flushing the cooling system	105-22	Temperature and pressure sending units . .	115-12
Heater shut-off valve	105-28		
Replacing coolant conditioner	105-29	Service — Ground Speed Drive	
Drive belts	105-30	Brake system	120-1
Air intake system	105-35	Brake fluid reservoir	120-2
Air intake prefilter screen	105-38	Adjusting foot brakes	120-2
Air cleaner element	105-38	Parking brake	120-2
Turbocharger	105-43	Hydrostatic drive components	120-3
Vibration damper	105-44	Oil cooler	120-5
		Filter change	120-5
Service — Electrical System		Transmission	120-6
Specifications	110-1	Front axle	120-8
Batteries	110-1	Rear axle toe-in	120-8
Alternators	110-4	Steering system components	120-11
Starter motor	110-5		
Access to fuse board	110-6	Service — Air Conditioning System, Heater	
Fuse tester	110-6	Air-conditioning system components	125-1
Access to circuit boards	110-6	Heater components	125-2
Access to electronic control unit	110-8	Compressor	125-4
Access to relay and diode board	110-8	Refrigerant level	125-4
Sockets	110-9	Low pressure switch	125-5
Storage module	110-10	High pressure switch	125-5
Electronic system boards	110-11	Cleaning the condenser	125-6
Fuse board — fuses	110-12	Cab air filters	125-6
Fuse board — relays	110-14	Air intake opening	125-8
Shift relays	110-15	Condensed water drain hose	125-8
Relay and diode board	110-16		
Solenoids	110-17	Storage	
Electronic control unit	110-19	After the season	130-1
Engine speed adjustment	110-20	Taking forage harvester out of storage	130-3
Sending unit for electronic control unit	110-21		
Service codes, automatic function control . .	110-23	Specifications	135-1
Self-test of engine electronic system	110-43		
Service codes, Cummins engine	110-44	Serial Numbers	
Work lights	110-54	Serial number plates	140-1
Headlights	110-55	Serial numbers	140-2
Clearance and turn signal lights, front	110-56		
Tail, stop and turn signal lights, rear	110-56	Index	
Dome light	110-56		
Switch lighting	110-57		
Indicator light bulbs	110-57		

Identification Views



ZX012524

ZX012524 -UN-20AUG97



ZX012525

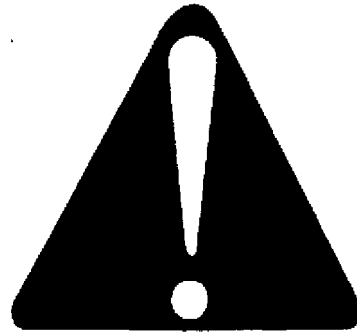
ZX012525 -UN-21AUG97

Safety

RECOGNIZE SAFETY INFORMATION

This is the safety-alert symbol. When you see this symbol on your machine or in this manual, be alert to the potential for personal injury.

Follow recommended precautions and safe operating practices.



DX,ALERT -19-29SEP98

T81389 -UN-07DEC68

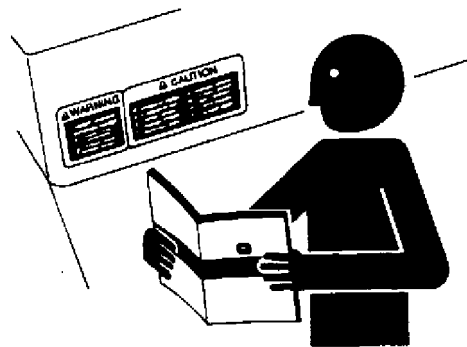
FOLLOW SAFETY INSTRUCTIONS

Carefully read all safety messages in this manual and on your machine safety signs. Keep safety signs in good condition. Replace missing or damaged safety signs. Be sure new equipment components and repair parts include the current safety signs. Replacement safety signs are available from your John Deere dealer.

Learn how to operate the machine and how to use controls properly. Do not let anyone operate without instruction.

Keep your machine in proper working condition. Unauthorized modifications to the machine may impair the function and/or safety and affect machine life.

If you do not understand any part of this manual and need assistance, contact your John Deere dealer.



DX,READ -19-03MAR93

T5201 -UN-23AUG88

UNDERSTAND SIGNAL WORDS

A signal word—DANGER, WARNING, or CAUTION—is used with the safety-alert symbol. DANGER identifies the most serious hazards.

DANGER or WARNING safety signs are located near specific hazards. General precautions are listed on CAUTION safety signs. CAUTION also calls attention to safety messages in this manual.



DX,SIGNAL -19-03MAR93

T5187 -19-30SEP88



OBSERVE ROAD TRAFFIC REGULATIONS

Always observe local road traffic regulations when using public roads.



H28930 -UN-30JUN89

FX,ROAD -19-01MAY91



CAUTION: Avoid possible injury or death from machinery runaway.

Do not start engine by shorting across starter terminals. Machine will start in gear if normal circuitry is bypassed.

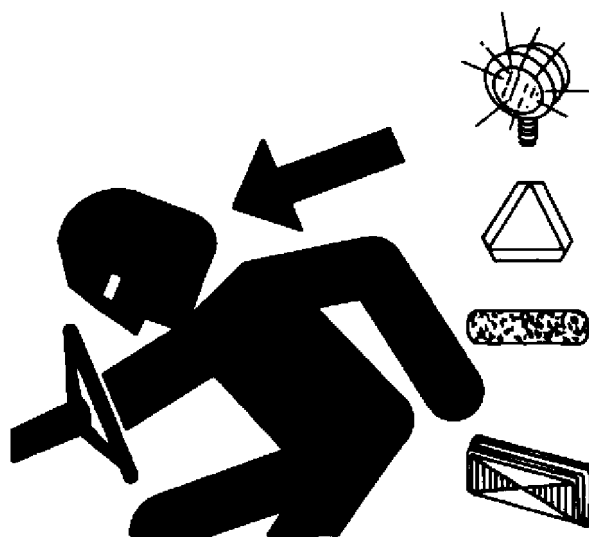
NEVER start engine while standing on ground. Start engine only from operator's seat, with transmission in neutral or park.

DX,BYPAS -19-26JAN90

USE SAFETY LIGHTS AND DEVICES

Prevent collisions between other road users, slow moving tractors with attachments or towed equipment, and self-propelled machines on public roads. Frequently check for traffic from the rear, especially in turns, and use hand signals or turn signal lights.

Use headlights, flashing warning lights, and turn signals day and night. Follow local regulations for equipment lighting and marking. Keep lighting and marking visible and in good working order. Replace or repair lighting and marking that has been damaged or lost.



TS951 -UN-12APR90

DX,FLASH -19-04FEB99

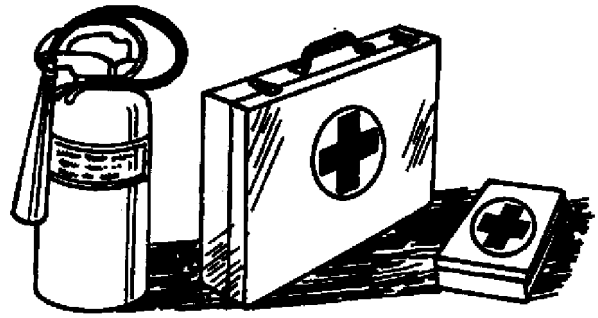


PREPARE FOR EMERGENCIES

Be prepared if a fire starts.

Keep a first aid kit and fire extinguisher handy.

Keep emergency numbers for doctors, ambulance service, hospital, and fire department near your telephone.



DX.FIRE2 -19-03MAR93

TS291 -UN-23AUG88

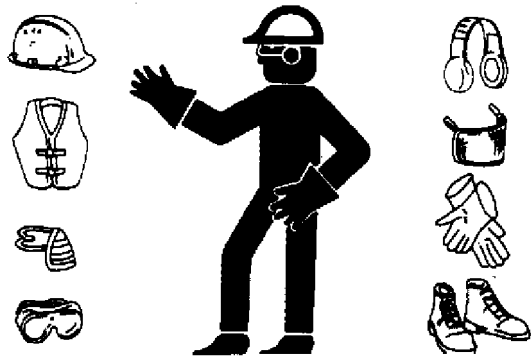
WEAR PROTECTIVE CLOTHING

Wear close fitting clothing and safety equipment appropriate to the job.

Prolonged exposure to loud noise can cause impairment or loss of hearing.

Wear a suitable hearing protective device such as earmuffs or earplugs to protect against objectionable or uncomfortable loud noises.

Operating equipment safely requires the full attention of the operator. Do not wear radio or music headphones while operating machine.



DX.WEAR -19-10SEP90

TS206 -UN-23AUG88

HANDLE FUEL SAFELY—AVOID FIRES

Handle fuel with care: it is highly flammable. Do not refuel the machine while smoking or when near open flame or sparks.

Always stop engine before refueling machine. Fill fuel tank outdoors.

Prevent fires by keeping machine clean of accumulated trash, grease, and debris. Always clean up spilled fuel.



DX.FIRE1 -19-03MAR93

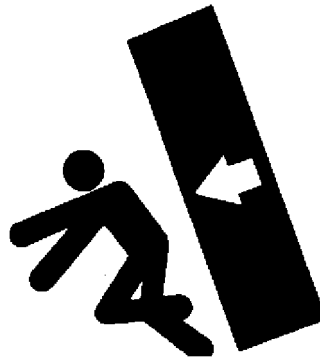
TS202 -UN-23AUG88



STORE ATTACHMENTS SAFELY

Stored attachments such as dual wheels, cage wheels, and loaders can fall and cause serious injury or death.

Securely store attachments and implements to prevent falling. Keep playing children and bystanders away from storage area.



DX,STORE -19-03MAR93

TS219 -UN-23AUG68

HANDLE STARTING FLUID SAFELY

Starting fluid is highly flammable.

Keep all sparks and flame away when using it. Keep starting fluid away from batteries and cables.

To prevent accidental discharge when storing the pressurized can, keep the cap on the container, and store in a cool, protected location.

Do not incinerate or puncture a starting fluid container.



DX,FIRE3 -19-16APR92

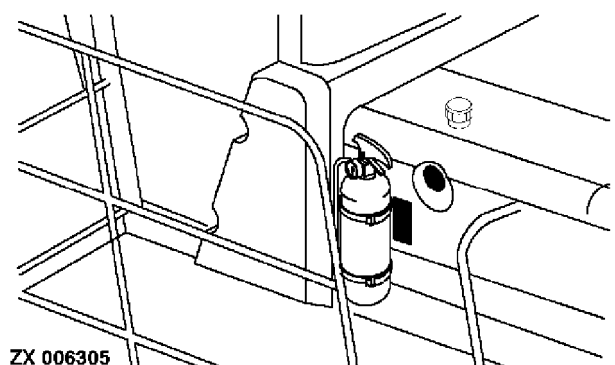
TS1356 -UN-18MAR92

FIRE EXTINGUISHER

A 6 kg (13 lb) general purpose fire extinguisher complying with legal regulations must be installed on the left-hand side of the operator's platform.

Make sure that the fire extinguisher is always ready for operation.

Keep the engine clean and free of dust, chaff and straw to prevent the possibility of a fire.



ZX 006305

ZX,FIRESPFH -19-01JUN94

ZX006305 -UN-03APR95



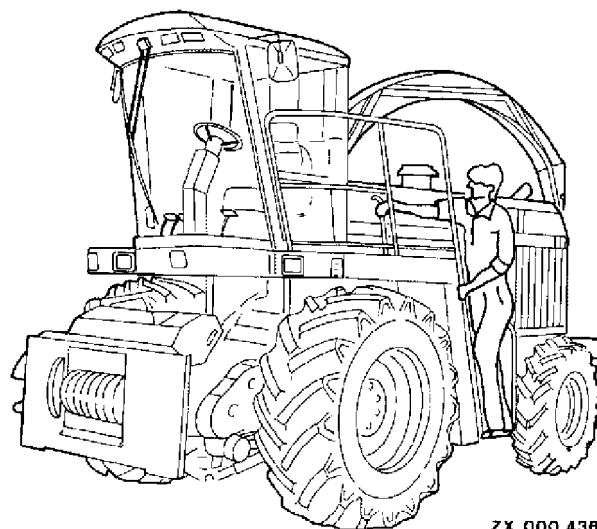
CHECK MACHINE SAFETY

Always check the road and general operating safety of the machine before using.

FX,READY -19-28FEB91

MOUNT AND DISMOUNT SAFELY

Use handrail when mounting or dismounting the harvester.



ZX 000 436

-JUN-03APR95
ZX000436

ZX,HANDLE -19-01OCT91

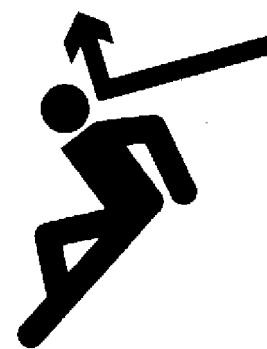
OPERATE SAFELY

All machinery should only be operated by responsible adults who have been properly instructed and delegated to do so.

Never stand in the discharge spout path while cutterhead and fan are turning.

Never open cutterhead or fan housing doors while cutterhead is turning.

Always operate machine at rated speed.



-JUN-23AUG88
TS263

ZX,CAUTION -19-01OCT91



RIDERS

Only allow the operator and one rider on the machine.

Other riders are subject to injury such as being thrown off the machine and obstruct the operator's view resulting in the machine being operated in an unsafe manner.

One rider is permitted, since the machine is equipped with a factory-approved passenger seat.



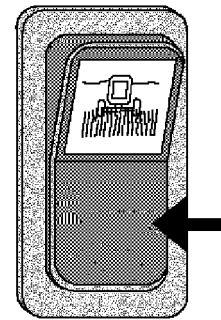
ZX,PASSENGER -19-02OCT91

TS253
-UN-23AUG68

ROAD SAFETY SWITCH

IMPORTANT: Before driving forage harvester on public roads, make sure that the road safety switch is in the road position.

This ensures that all the hydraulic functions with the exception of the steering are switched off.



ZX 002418

ZX,SWITCH -19-01MAY94

ZX002418
-UN-16JUN95



DRIVING THE FORAGE HARVESTER

Operate machine only when all guards are correctly installed.

Before moving away, always check immediate vicinity of machine (e.g. for children). Ensure adequate visibility. Use the horn as a warning immediately before moving away.

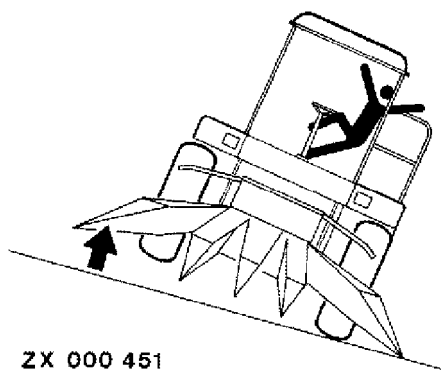
Always adapt ground speed to road or field conditions. Avoid making sharp turns when driving up or down slopes or when driving across a slope.

Attach harvesting units and other implements to forage harvester with extreme care.

When making turns, always take into consideration the width of the attachment and the fact that the rear end of the forage harvester swings out. Attachments and ground conditions affect the driving characteristics of the harvester.

Reduce ground speed when driving on slopes or over uneven ground and before making sharp turns. Before descending a steep hill, shift to a lower gear.

Avoid holes, ditches and obstructions which may cause the forage harvester to tip, particularly on hillsides.



ZX 000 451

ZX000451 -JUN-05APR95

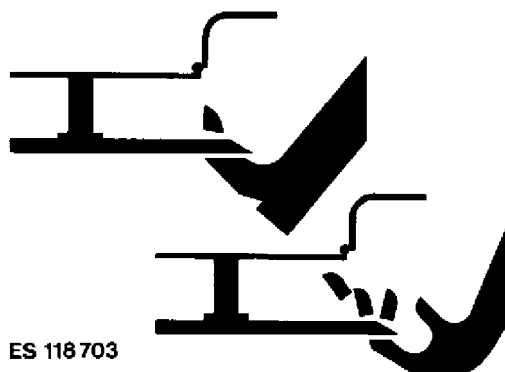
ZX,DRIVE -19-02OCT91

GUARDS AND SHIELDS

Keep guards and shields in place at all times. Ensure that they are serviceable and installed correctly.

Always disengage main clutch, shut off engine and remove key before removing any guards or shields.

Keep hands, feet and clothing away from moving parts.



ES 118 703

ES118703 -JUN-21MAR95

FX,DEVICE -19-04DEC90



STAY CLEAR OF HARVESTING UNITS

Cutterbar, auger, reel and feed rolls cannot be completely shielded due to their function. Stay clear of these moving elements during operation. Always disengage main clutch, shut off engine and remove key before servicing or unclogging machine.



ES 118 704

FX,CUT -19-21DEC90

ES118704 -UN-21MAR95

KEEP HANDS AWAY FROM KNIVES

Never attempt to clear obstructions in front of or on harvesting unit unless main clutch is disengaged, engine shut off and key removed.

Everyone must be clear of the forage harvester before starting the engine.



FX,KNIFE -19-21DEC90

-UN-23AUG88

TS254

STAY CLEAR OF ROTATING DRIVELINES

Entanglement in rotating driveline can cause serious injury or death.

Keep tractor master shield and driveline shields in place at all times. Make sure rotating shields turn freely.

Wear close fitting clothing. Stop the engine and be sure PTO driveline is stopped before making adjustments, connections, or cleaning out PTO driven equipment.



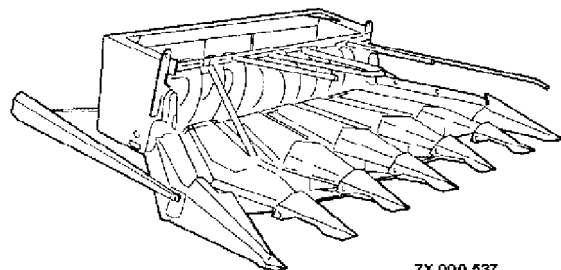
DX,PTO -19-12SEP95

-UN-22AUG95

TS1644

AVOID ENTANGLEMENT

To avoid entanglement, do not feed crop into machine by hand or attempt to manually unplug machine while it is running. The feed rolls can feed crop material in faster than you can release your grip on the material.



ZX 000 537

ZX,FEEDROLL -19-04DEC90

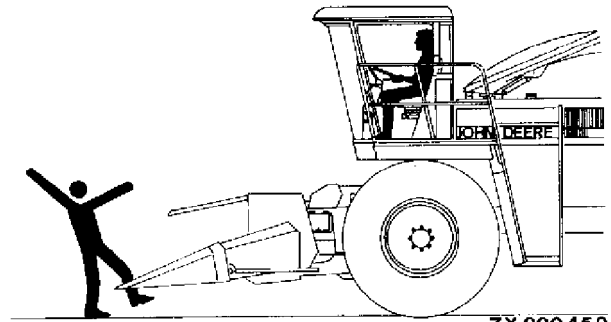
-UN-03APR95

ZX000537



TRANSPORT WITH HARVESTING UNIT INSTALLED

Before driving forage harvester on public roads, harvesting unit must be raised and secured in this position. It must not, however, obstruct operator's view of the road. Remove crop dividers (if equipped) and install protective cover.

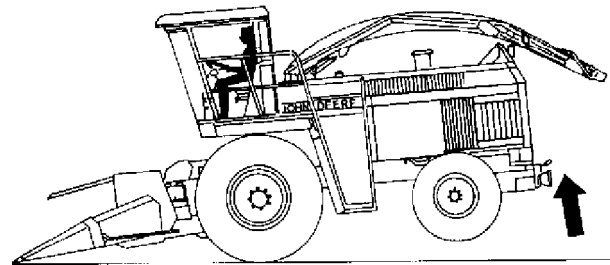


ZX,HEADER -19-04DEC90

-UN-03APR95
ZX000452

BALLASTING FOR SAFE GROUND CONTACT

Operating, steering and braking performance of forage harvester can be considerably affected by attachments which alter the center of gravity of the machine. To maintain safe ground contact, ballast the harvester at the rear end as necessary. Observe the maximum permissible axle loads and total weights.



ZX,WEIGHT -19-02OCT91

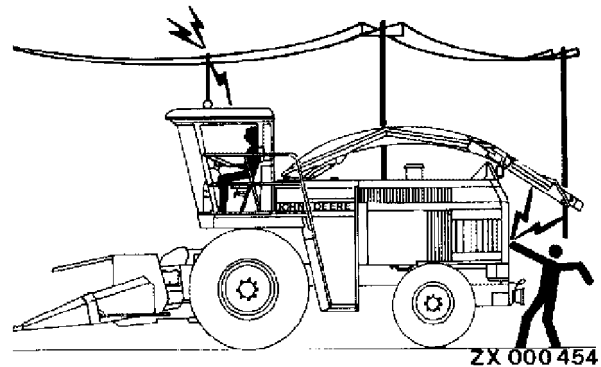
-UN-03APR95
ZX000453

RADIO AERIAL

If radio aerial is not secured in its transport position before driving on public roads, it may come into contact with low-hanging electrical cables. This would result in the operator suffering a severe electrical shock.

To avoid electrical shock, no portion of the machine should be higher than 4 m (13 ft).

Before transporting machine, bend aerial or remove it.



ZX,ANTENNA -19-01JAN93

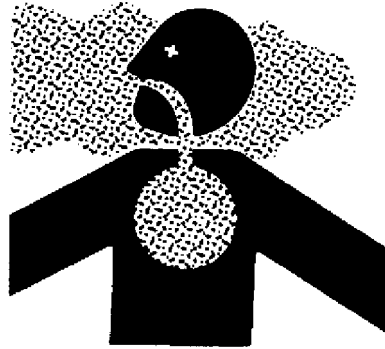
-UN-03APR95
ZX000454



WORK IN VENTILATED AREA

Engine exhaust fumes can cause sickness or death. If it is necessary to run an engine in an enclosed area, remove the exhaust fumes from the area with an exhaust pipe extension.

If you do not have an exhaust pipe extension, open the doors and get outside air into the area.

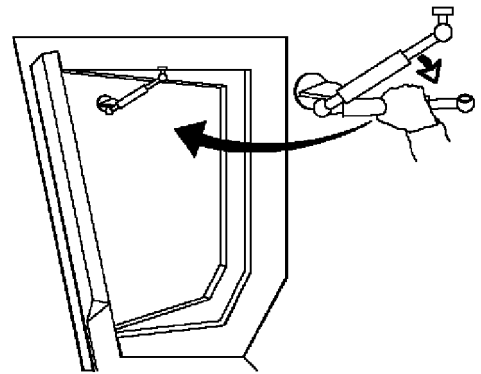


DX,AIR -19-04JUN90

TS220 -UN-23AUG68

EMERGENCY EXIT

The right-hand cab window may be used as an emergency exit. Disengage the gas-filled spring on the sidewall of the cab and open the window.



ZX 006004

ZX_OMSPFH003293-19-01MAY94

ZX006004 -UN-03APR95



PRACTICE SAFE MAINTENANCE

Understand service procedure before doing work. Keep area clean and dry.

Never lubricate, service, or adjust machine while it is moving. Keep hands, feet, and clothing from power-driven parts. Disengage all power and operate controls to relieve pressure. Lower equipment to the ground. Stop the engine. Remove the key. Allow machine to cool.

Securely support any machine elements that must be raised for service work.

Keep all parts in good condition and properly installed. Fix damage immediately. Replace worn or broken parts. Remove any buildup of grease, oil, or debris.

On self-propelled equipment, disconnect battery ground cable (-) before making adjustments on electrical systems or welding on machine.

On towed implements, disconnect wiring harnesses from tractor before servicing electrical system components or welding on machine.



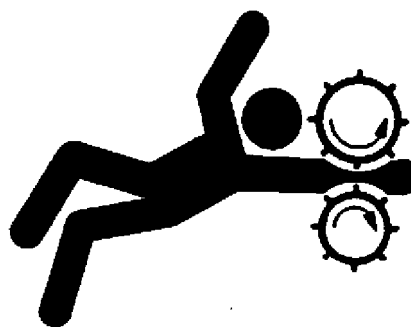
DX,SERV -19-04FEB99

TSS218 -UN-23AUG88

SERVICE MACHINES SAFELY

Tie long hair behind your head. Do not wear a necktie, scarf, loose clothing, or necklace when you work near machine tools or moving parts. If these items were to get caught, severe injury could result.

Remove rings and other jewelry to prevent electrical shorts and entanglement in moving parts.



DX,LOOSE -19-04JUN90

TSS228 -UN-23AUG88

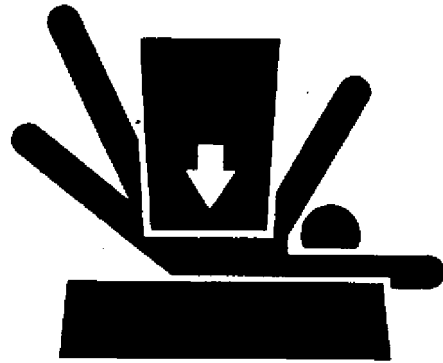


SUPPORT MACHINE PROPERLY

Always lower the attachment or implement to the ground before you work on the machine. If you must work on a lifted machine or attachment, securely support the machine or attachment. If left in a raised position, hydraulically supported devices can settle or leak down.

Do not support the machine on cinder blocks, hollow tiles, or props that may crumble under continuous load. Do not work under a machine that is supported solely by a jack. Follow recommended procedures in this manual.

When implements or attachments are used with a tractor, always follow safety precautions listed in the implement operator's manual.

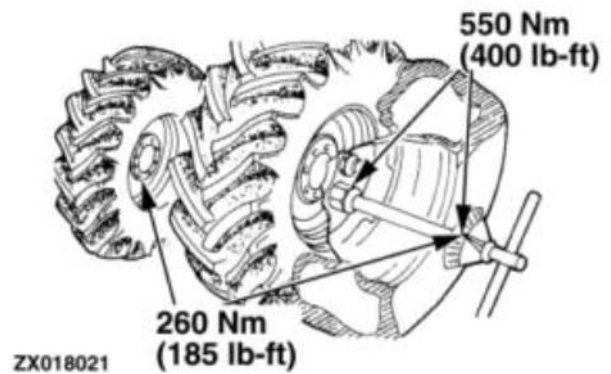


DX,LOWER -19-04FEB99

-UN-23AUG68
TS229

RETORQUE WHEEL NUTS

Retorque wheel nuts as specified in Sections "Wheels and Ballast" and "Lubrication, Periodic Services". Failure to do this could result in a wheel falling off during operation, causing the machine to tip over with serious injury to the operator and extensive damage to the machine.



ZX.NUTSSPFH -19-01NOV99

-UN-29OCT99
ZX018021



Suggest:

For more complete manuals. Please go to the home page.

<https://www.ebooklibonline.com>

If the above button click is invalid. Please download this document first, and then click the above link to download the complete manual.

Thank you so much for reading



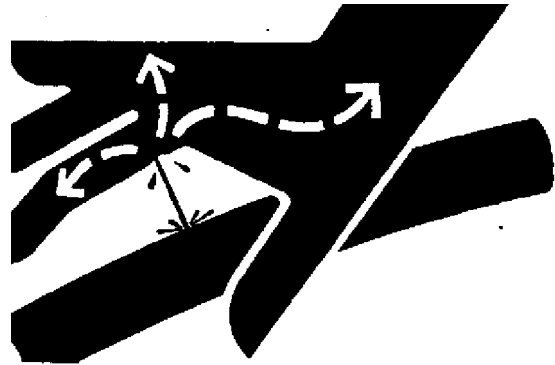
AVOID HIGH-PRESSURE FLUIDS

Escaping fluid under pressure can penetrate the skin causing serious injury.

Avoid the hazard by relieving pressure before disconnecting hydraulic or other lines. Tighten all connections before applying pressure.

Search for leaks with a piece of cardboard. Protect hands and body from high pressure fluids.

If an accident occurs, see a doctor immediately. Any fluid injected into the skin must be surgically removed within a few hours or gangrene may result. Doctors unfamiliar with this type of injury should reference a knowledgeable medical source. Such information is available from Deere & Company Medical Department in Moline, Illinois, U.S.A.



DX,FLUID -19-03MAR93

X9811 -UN-23AUG88

PREVENT BATTERY EXPLOSIONS

Keep sparks, lighted matches, and open flame away from the top of battery. Battery gas can explode.

Never check battery charge by placing a metal object across the posts. Use a volt-meter or hydrometer.

Do not charge a frozen battery; it may explode. Warm battery to 16°C (60°F).



DX,SPARKS -19-03MAR93

TS204 -UN-23AUG88



PREVENT ACID BURNS

Sulfuric acid in battery electrolyte is poisonous. It is strong enough to burn skin, eat holes in clothing, and cause blindness if splashed into eyes.

Avoid the hazard by:

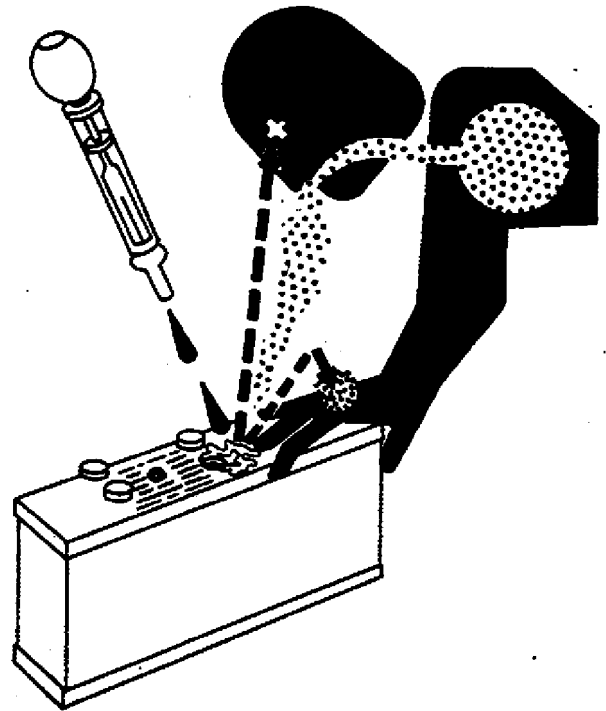
1. Filling batteries in a well-ventilated area.
2. Wearing eye protection and rubber gloves.
3. Avoiding breathing fumes when electrolyte is added.
4. Avoiding spilling or dripping electrolyte.
5. Use proper jump start procedure.

If you spill acid on yourself:

1. Flush your skin with water.
2. Apply baking soda or lime to help neutralize the acid.
3. Flush your eyes with water for 15—30 minutes. Get medical attention immediately.

If acid is swallowed:

1. Do not induce vomiting.
2. Drink large amounts of water or milk, but do not exceed 2 L (2 quarts).
3. Get medical attention immediately.



TS203 -UN-23AUG88

DX,POISON -19-21APR93

<https://www.ebooklibonline.com>

Hello dear friend!

Thank you very much for reading.

Enter the link into your browser.

The full manual is available for immediate download.

<https://www.ebooklibonline.com>