

**6610, 6710,  
6810 and 6910  
Self-Propelled  
Forage Harvesters**

**John Deere Werke Zweibrücken  
OMZ92145 Issue H2**

**European Edition**  
Printed in Germany  
**ENGLISCH**

# Introduction

READ THIS MANUAL carefully to learn how to operate and service your machine correctly. Failure to do so could result in personal injury or equipment damage.

THIS MANUAL SHOULD BE CONSIDERED a permanent part of your machine and should remain with the machine when you sell it.

MEASUREMENTS in this manual are given in both metric and customary U.S. unit equivalents. Use only correct replacement parts and fasteners. Metric and inch fasteners may require a specific metric or inch wrench.

RIGHT-HAND AND LEFT-HAND sides are determined by facing the direction of forward travel.

WRITE PRODUCT IDENTIFICATION NUMBERS (P.I.N.) in the Specification or Identification Numbers section. Accurately record all the numbers to help in tracing the machine should it be stolen. Your dealer also needs these numbers when you order parts. File the identification numbers in a secure place off the machine.

SETTING FUEL DELIVERY BEYOND PUBLISHED factory specifications or otherwise overpowering will result in loss of warranty protection for this machine.

BEFORE DELIVERING THIS MACHINE, your dealer performed a predelivery inspection. After operating for the first 20 to 50 hours, schedule an after-sale inspection with your dealer to ensure best performance.

THIS FORAGE HARVESTER IS DESIGNED SOLELY for use in customary agricultural or similar operations ("INTENDED USE").

Use in any other way is considered as contrary to the intended use. The manufacturer accepts no liability for damage or injury resulting from this misuse, and these risks must be borne solely by the user. Compliance with and strict adherence to the conditions of operation, service and repair as specified by the manufacturer also constitute essential elements for the intended use.

THIS FORAGE HARVESTER SHOULD BE OPERATED, serviced and repaired only by persons familiar with all its particular characteristics and acquainted with the relevant safety rules (accident prevention).

The accident prevention regulations, all other generally recognized regulations on safety and occupational medicine and the road traffic regulations must be observed at all times.

Any arbitrary modifications carried out on this forage harvester will relieve the manufacturer of all liability for any resulting damage or injury.

# Contents

	Page		Page
<b>Identification View</b> . . . . .	00-1	Automatic Kernel Processor Roll Clearance . . . . .	20-20
<b>Safety</b>		Manual Kernel Processor Roll Clearance . . .	20-21
General . . . . .	05-1	<b>Lighting System and Signals</b>	
Operation . . . . .	05-6	Parking Lights/Low-Beam Headlights . . . . .	25-1
Service . . . . .	05-12	Full-Beam Headlights . . . . .	25-1
<b>Safety Decals</b> . . . . .	10-1	Turn Signals . . . . .	25-2
<b>Controls and Instruments</b>		Work Lights . . . . .	25-4
General View . . . . .	15-1	Revolving Hazard Warning Lights . . . . .	25-5
Switch Console . . . . .	15-2	Hazard Warning Lights . . . . .	25-5
Multi-Function Lever . . . . .	15-5	Indicator Light Test . . . . .	25-6
Corner Post . . . . .	15-6	<b>Operator's Cab</b>	
Roof Switch Console . . . . .	15-7	Operator's Seat . . . . .	30-1
Roof Console . . . . .	15-8	Lumbar Support . . . . .	30-2
Automatic Function Control . . . . .	15-9	Left-Hand Armrest . . . . .	30-2
Steering Column . . . . .	15-10	Right-Hand Armrest . . . . .	30-2
Switch Console — Functions . . . . .	15-11	Ashtray . . . . .	30-4
Multi-Function Lever — Functions . . . . .	15-18	Passenger Seat . . . . .	30-4
Roof Switch Console — Functions . . . . .	15-20	Storage Compartment for Operator's Manuals . . . . .	30-4
Steering Column — Functions . . . . .	15-22	Cooling Compartment . . . . .	30-5
<b>Warning Devices and Monitors</b>		Steering Column . . . . .	30-5
Indicator Lights I . . . . .	20-1	Foot Brakes . . . . .	30-6
Indicator Lights II . . . . .	20-4	Parking Brake . . . . .	30-6
Fuel Gauge . . . . .	20-7	Releasing Parking Brake . . . . .	30-7
Coolant Temperature Gauge . . . . .	20-7	Sun Visor . . . . .	30-7
Automatic Function Control Lights . . . . .	20-7	Inside Mirror . . . . .	30-7
Infotrak Monitor . . . . .	20-8	Outside Mirror . . . . .	30-8
Cutterhead Alarm Speed . . . . .	20-10	Heater Shut-Off Valve . . . . .	30-8
SERVICE Information . . . . .	20-10	Switching on Heater . . . . .	30-9
Automatic Function Control . . . . .	20-11	Adjustable Air Louvers . . . . .	30-9
Burnishing Electromagnetic Clutch . . . . .	20-12	Interior Lighting . . . . .	30-9
Sharpening Cycles . . . . .	20-13	Digital Clock . . . . .	30-10
Automatic Knife Sharpening . . . . .	20-14	Radio and Citizen Band . . . . .	30-10
Sharpening Stone Home Position (Manual) . . . . .	20-16	<b>Pre-Starting Checks</b>	
Automatic Counterknife Adjustment . . . . .	20-17	Daily Checks . . . . .	35-1
Manual Counterknife Adjustment . . . . .	20-18	Engine Oil Level . . . . .	35-1
Kernel Processor Roll Clearance . . . . .	20-19	Hydraulic Oil Level . . . . .	35-1

Continued on next page

*All information, illustrations and specifications in this manual are based on the latest information available at the time of publication. The right is reserved to make changes at any time without notice.*

OMZ92145 H2-19-18AUG92

COPYRIGHT© 1992  
DEERE & COMPANY  
European Office Mannheim  
All rights reserved  
A John Deere ILLUSTRATION™ Manual

**<https://www.ebooklibonline.com>**

Hello dear friend!

Thank you very much for reading.

Enter the link into your browser.

The full manual is available for immediate download.

**<https://www.ebooklibonline.com>**

Contents

	<b>Page</b>		<b>Page</b>
Fuel Level . . . . .	35-2	Reverser Operation . . . . .	65-6
Tires . . . . .	35-2	Harvesting Unit Float System . . . . .	65-7
Hydrostatic Oil Level . . . . .	35-3		
Fuel System . . . . .	35-3	<b>Feeding System</b>	
Lubricating Forage Harvester . . . . .	35-3	Electromagnetic Clutch . . . . .	70-1
Checks in Operator's Cab . . . . .	35-4	Cutterhead Speed Sending Unit . . . . .	70-3
		Length-of-Cut Transmission . . . . .	70-3
<b>Operating the Engine</b>		Adjusting Length of Cut . . . . .	70-4
Engine Break-In . . . . .	40-1	Harvesting Unit Speed . . . . .	70-4
Starting the Engine . . . . .	40-2	Feed Roll Slip Clutch . . . . .	70-5
Engine Oil Pressure Indicator Light . . . . .	40-4	Length-of-Cut Transmission Service . . . . .	70-5
Warming up Engine . . . . .	40-4	Feed Roll Drive . . . . .	70-6
Engine Idle . . . . .	40-4	Adjusting Feed Roll Springs . . . . .	70-8
Ether Starting Aid . . . . .	40-5	Opening Feed Roll Channel . . . . .	70-8
Coolant Heater . . . . .	40-8	Smooth Roll Scraper . . . . .	70-9
Slave Battery . . . . .	40-9	Feed Roll Channel Safety Switch . . . . .	70-10
Stopping the Engine . . . . .	40-10	Hydraulic Reverser Motor . . . . .	70-10
Cold Weather Operation . . . . .	40-10		
		<b>Metal Detector</b>	
<b>Driving and Transporting Forage Harvester</b>		Operating Metal Detector . . . . .	75-2
Driving the Forage Harvester . . . . .	45-1	Operating without Metal Detector . . . . .	75-3
Releasing Parking Brake . . . . .	45-1	When Ferrous Metal is Detected . . . . .	75-4
Operating Foot Brakes . . . . .	45-2	Adjusting Locking Pawl . . . . .	75-5
Engaging a Gear . . . . .	45-2	Metal Detector Test . . . . .	75-6
Road Safety Switch . . . . .	45-3	Test Charts, Troubleshooting . . . . .	75-13
Adjusting Engine Speed . . . . .	45-3		
Forward and Reverse Travel . . . . .	45-4	<b>Cutterhead and Drive</b>	
Travel Speed . . . . .	45-4	Main Clutch . . . . .	80-2
Hydrostatic System . . . . .	45-5	Main Drive Belt . . . . .	80-4
Four-Wheel Drive . . . . .	45-6	Replacing Main Drive Belt . . . . .	80-5
Transport Information . . . . .	45-6	Cutterhead Knives . . . . .	80-6
		Replacing Partial Set of Knives . . . . .	80-8
<b>Wheels and Ballast</b>		Replacing Complete Set of Knives . . . . .	80-9
Tire Maintenance . . . . .	50-1	Replacing Clamp Bar . . . . .	80-10
Tire Pressures . . . . .	50-5	Replacing Threaded Bar . . . . .	80-10
Rear Weights . . . . .	50-6	Knife Torque . . . . .	80-11
		Manual Knife Sharpening . . . . .	80-12
<b>Harvesting Units</b> . . . . .	55-1	Automatic Knife Sharpening Device . . . . .	80-16
		Replacing Sharpening Stone . . . . .	80-18
<b>Attaching and Detaching Harvesting Units</b>		Adjusting Counterknife . . . . .	80-20
Attaching Sequence . . . . .	60-1	Checking Counterknife . . . . .	80-25
		Removing Counterknife . . . . .	80-26
<b>Preparations and Field Operation</b>		Installing Counterknife . . . . .	80-28
Preparations for Harvesting Grass . . . . .	65-1	Eliminating End Play of Adjusting Spindle . . . . .	80-30
Preparations for Harvesting Corn . . . . .	65-1	Adjusting Bottom Band . . . . .	80-31
Preparations for Whole Plant Silage . . . . .	65-1	Adjusting Outlet Band . . . . .	80-34
Preparations for Harvesting Ear Corn		Cutterhead Service Cover . . . . .	80-35
Silage . . . . .	65-1	Recirculating Screens . . . . .	80-37
Field Operation of Forage Harvester . . . . .	65-2		

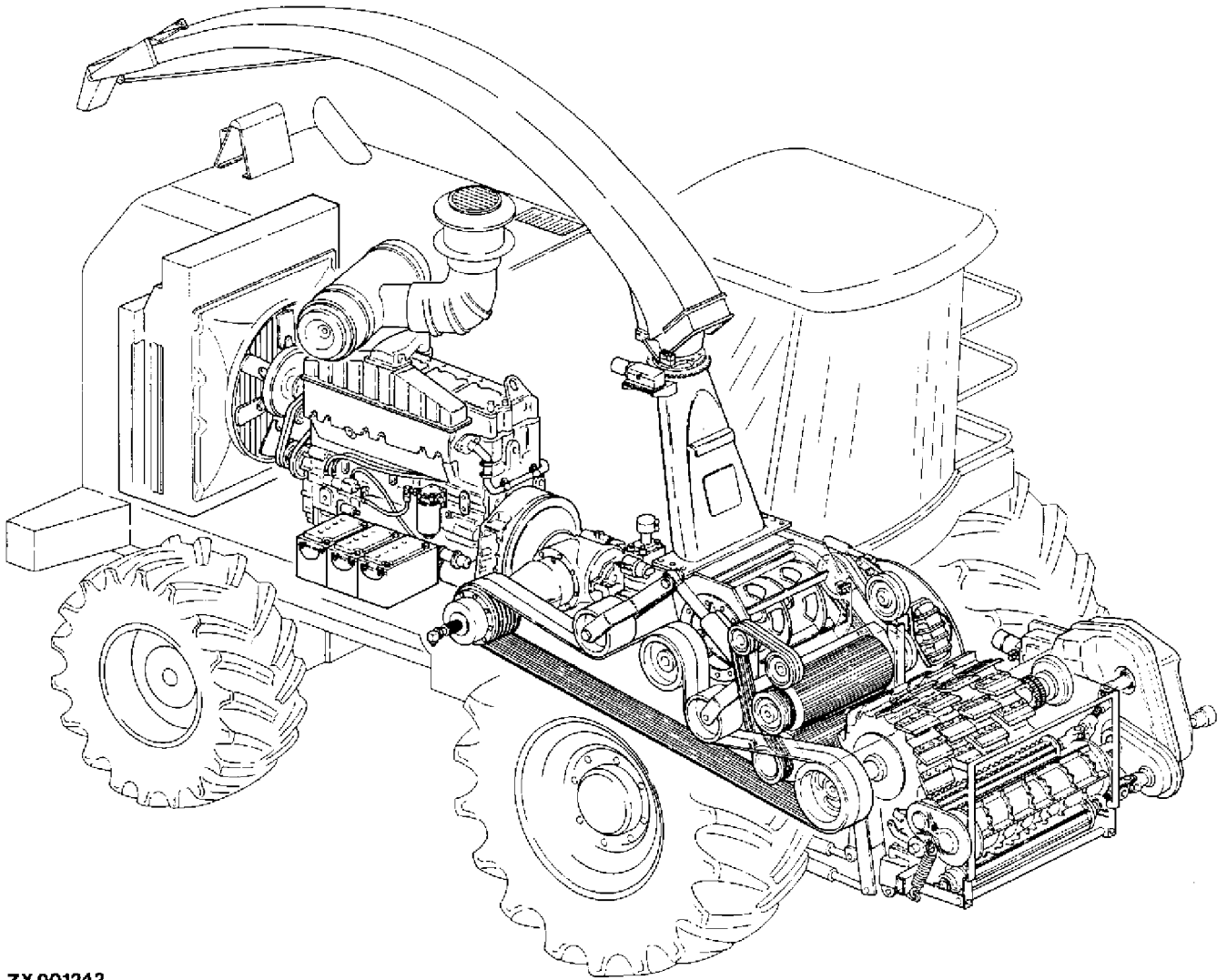
Continued on next page

Contents

	Page		Page
Removing Cutterhead with Harvesting Unit . . .	80-41	Every Year . . . . .	100-11
Installing Cutterhead with Harvesting Unit . . .	80-44	Every 2 Years . . . . .	100-12
Main Drive Troubleshooting . . . . .	80-45	V-Belts . . . . .	100-12
Cutterhead Troubleshooting . . . . .	80-46	Chains . . . . .	100-13
Knife Sharpener Troubleshooting . . . . .	80-47		
Counterknife Troubleshooting . . . . .	80-49		
<b>Kernel Processor</b>			
Installing Kernel Processor . . . . .	85-1	<b>Service — Engine</b>	
Preparing Kernel Processor . . . . .	85-4	Engine Access . . . . .	105-1
Attaching Kernel Processor . . . . .	85-6	Engine Compartment . . . . .	105-1
Drive Belt . . . . .	85-8	Adjusting Engine Valve Tappets . . . . .	105-2
Breaking In Kernel Processor . . . . .	85-9	Rocker Arm Cover Ventilation . . . . .	105-2
Field Operation . . . . .	85-10	Checking Engine Crankcase Oil Level . . . . .	105-4
Kernel Processor Service . . . . .	85-10	Changing Engine Oil and Filter . . . . .	105-5
Adjusting Roll Spacing . . . . .	85-11	Service — Fuel System . . . . .	105-9
Adjusting Clearance Indicator . . . . .	85-12	Fuel Tank Filler Neck . . . . .	105-10
Pretension of Lower Roll Drive Belt . . . . .	85-12	Fuel Tank Water Trap . . . . .	105-11
Adjusting Scrapers . . . . .	85-13	Fuel System, John Deere Engine . . . . .	105-12
Roll Wear and Replacement . . . . .	85-14	Fuel System, Cummins Engine . . . . .	105-13
Potentiometer, automatic adjustment . . . . .	85-14	Fuel Shut-Off Valve . . . . .	105-14
Replacing Lower Roll Drive Belts . . . . .	85-15	Water Trap, John Deere Engine . . . . .	105-14
Troubleshooting . . . . .	85-16	Fuel Filter, John Deere Engine . . . . .	105-15
<b>Discharge</b>			
Blower and Discharge Spout . . . . .	90-1	Checking Fuel Injection Nozzles . . . . .	105-16
Blower Bottom . . . . .	90-1	Bleeding Fuel System . . . . .	105-16
Replacing Wear Plate . . . . .	90-1	Fuel Filter, Cummins Engine . . . . .	105-18
Adjusting Blower Paddles . . . . .	90-5	Bleed Line and Valve . . . . .	105-19
Adjusting Deflecting Edge . . . . .	90-5	Fuel Shut-Off Valve . . . . .	105-19
Service Covers . . . . .	90-6	Rotary/Stationary Radiator Screen . . . . .	105-19
Spout Worm Gear and Ring Gear . . . . .	90-7	Flushing Cooling System . . . . .	105-23
<b>Fuel, Lubricants, Coolant and Capacities</b>			
Fuel . . . . .	95-1	Replacing Coolant Conditioner . . . . .	105-28
Engine Oil . . . . .	95-2	Drive Belts . . . . .	105-30
Engine Coolant . . . . .	95-4	Air Intake System . . . . .	105-34
Gear Case Oil . . . . .	95-5	Air Intake Prefilter Screen . . . . .	105-36
Brake Fluid . . . . .	95-8	Air Cleaner . . . . .	105-36
EP Grease . . . . .	95-9	Turbocharger . . . . .	105-41
<b>Lubrication, Periodic Services</b>			
Break-In Service . . . . .	100-8	Vibration Damper . . . . .	105-42
Service Intervals . . . . .	100-8		
Every 10 Operating Hours . . . . .	100-9	<b>Service — Electrical System</b>	
After the first 100 Operating Hours . . . . .	100-9	Electrical System Specifications . . . . .	110-1
Every 250 Operating Hours . . . . .	100-10	Batteries . . . . .	110-1
Every 500 Operating Hours . . . . .	100-10	Alternators . . . . .	110-4
Every 1000 Operating Hours . . . . .	100-11	Starting Motor . . . . .	110-5
Every 1500 Operating Hours . . . . .	100-11	Access to Fuse Board . . . . .	110-6
As Required . . . . .	100-11	Fuse Tester . . . . .	110-6
Continued on next page			

Page	Page		
Solenoids . . . . .	110-15	<b>Storage</b>	
Electrical System Operation . . . . .	110-19	After the Season . . . . .	130-1
Fault Codes . . . . .	110-28	Removing Harvester from Storage . . . . .	130-4
Work Lights . . . . .	110-36		
Headlights . . . . .	110-37	<b>Specifications</b>	
Clearance and Turn Signal Lights, Front . . . . .	110-38	6610 Forage Harvester . . . . .	135-1
Tail, Stop and Turn Signal Lights, Rear . . . . .	110-38	6710 Forage Harvester . . . . .	135-8
Dome Light . . . . .	110-38	6810 Forage Harvester . . . . .	135-15
Switch Lighting . . . . .	110-39	6910 Forage Harvester . . . . .	135-21
Indicator Light Bulbs . . . . .	110-39		
<b>Service — Hydraulic System</b>		<b>Serial Numbers</b>	
Pressure Relief Valve . . . . .	115-1	Serial Number Plates . . . . .	140-1
System Operation . . . . .	115-2	Product Identification Number . . . . .	140-1
Accumulators . . . . .	115-3		
Hydraulic Components — Neutral Oil		<b>John Deere Service Keeps You on the Job</b>	
Flow . . . . .	115-4		
Draining Hydraulic Oil . . . . .	115-7	<b>Index</b>	
Replacing Hydraulic Oil Filter . . . . .	115-7		
Refilling Hydraulic Oil . . . . .	115-8		
Temperature and Pressure Sending Units . . . . .	115-8		
<b>Service — Ground Speed Drive</b>			
Brake System . . . . .	120-1		
Brake Fluid Reservoir . . . . .	120-2		
Adjusting Foot Brakes . . . . .	120-2		
Parking Brake . . . . .	120-2		
Hydrostatic Drive Components . . . . .	120-3		
Oil Cooler . . . . .	120-4		
Oil and Filter Change . . . . .	120-4		
Transmission . . . . .	120-5		
Final Drives . . . . .	120-5		
Front Axle . . . . .	120-6		
Rear Axle Toe-In . . . . .	120-6		
Rear Wheel Tread . . . . .	120-7		
Steering System Components . . . . .	120-9		
<b>Service — Air Conditioning System, Heater</b>			
Air Conditioning System Components . . . . .	125-1		
Heater Components . . . . .	125-2		
Operating Air Conditioning System . . . . .	125-4		
Compressor . . . . .	125-5		
Refrigerant Level . . . . .	125-5		
Low Pressure Switch . . . . .	125-6		
High Pressure Switch . . . . .	125-6		
Cleaning Condenser . . . . .	125-7		
Cab Filter . . . . .	125-7		
Air Intake Opening . . . . .	125-9		
Condensed Water Drain Hose . . . . .	125-9		

# Identification View



ZX001242

ZX001242 -JUN-08FEB06

ZX,OMSPFH,TYP -19-01NOV91

00-1

290101  
PN=3

# Safety

## RECOGNIZE SAFETY INFORMATION

This is the safety-alert symbol. When you see this symbol on your machine or in this manual, be alert to the potential for personal injury.

Follow recommended precautions and safe operating practices.



DX,ALERT -19-04JUN90

T81389 -UN-07DEC68

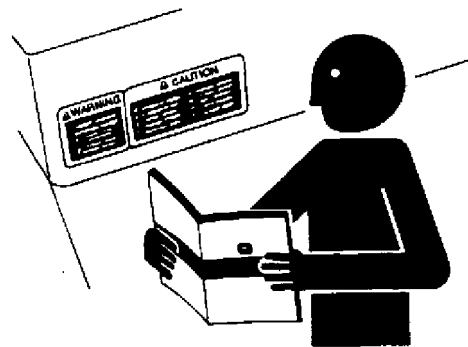
## FOLLOW SAFETY INSTRUCTIONS

Carefully read all safety messages in this manual and on your machine safety signs. Keep safety signs in good condition. Replace missing or damaged safety signs. Be sure new equipment components and repair parts include the current safety signs. Replacement safety signs are available from your John Deere dealer.

Learn how to operate the machine and how to use controls properly. Do not let anyone operate without instruction.

Keep your machine in proper working condition. Unauthorized modifications to the machine may impair the function and/or safety and affect machine life.

If you do not understand any part of this manual and need assistance, contact your John Deere dealer.



DX,READ -19-04JUN90

T5201 -UN-23AUG88

## UNDERSTAND SIGNAL WORDS

A signal word—DANGER, WARNING, or CAUTION—is used with the safety-alert symbol. DANGER identifies the most serious hazards.

DANGER or WARNING safety signs are located near specific hazards. General precautions are listed on CAUTION safety signs. CAUTION also calls attention to safety messages in this manual.



DX,SIGNAL -19-09JAN92

T5187 -19-30SEP88



## OBSERVE ROAD TRAFFIC REGULATIONS

Always observe local road traffic regulations when using public roads.



H28930 -UN-30JUN89

FX,ROAD -19-01MAY91



**CAUTION: Avoid possible injury or death from machinery runaway.**

**Do not start engine by shorting across starter terminals. Machine will start in gear if normal circuitry is bypassed.**

**NEVER start engine while standing on ground. Start engine only from operator's seat, with transmission in neutral or park.**

DX,BYPAS -19-26JAN90

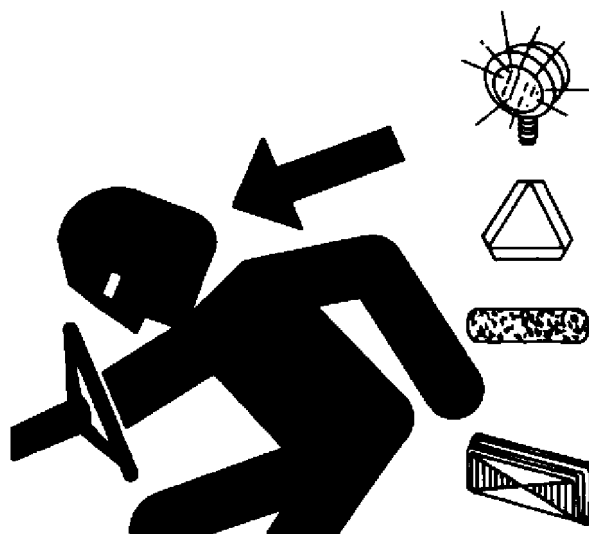


## USE SAFETY LIGHTS AND DEVICES

Slow moving tractors, self-propelled equipment and towed implements or attachments can create a hazard when driving on public roads. They are difficult to see, especially at night. Avoid personal injury or death resulting from collision with a vehicle.

If legally permitted, use flashing warning lights or rotary beacons whenever driving on public roads. To increase visibility, use the lights and devices provided with your machine. For some equipment, install additional flashing warning lights.

Keep safety items in good condition. Replace missing or damaged items. An implement safety lighting kit is available from your John Deere dealer.



TS951  
-UN-12APR90

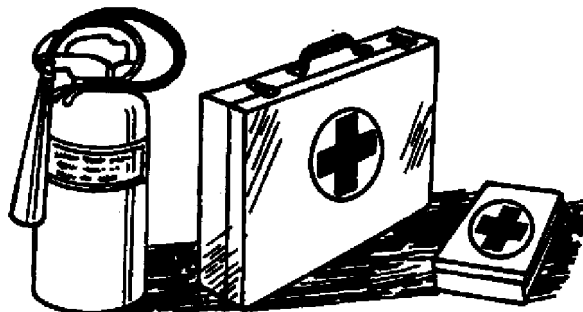
ZX,FLASH -19-01OCT91

## PREPARE FOR EMERGENCIES

Be prepared if a fire starts.

Keep a first aid kit and fire extinguisher handy.

Keep emergency numbers for doctors, ambulance service, hospital, and fire department near your telephone.



TS291  
-UN-23AUG88

DX,FIRE2 -19-04JUN90



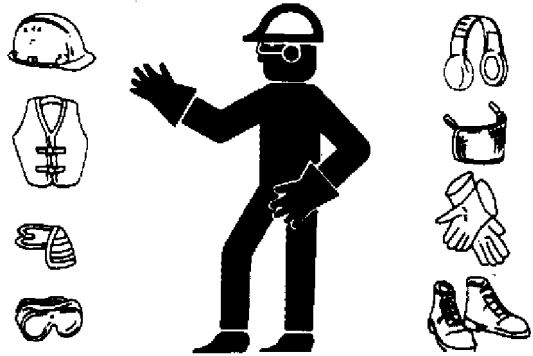
## WEAR PROTECTIVE CLOTHING

Wear close fitting clothing and safety equipment appropriate to the job.

Prolonged exposure to loud noise can cause impairment or loss of hearing.

Wear a suitable hearing protective device such as earmuffs or earplugs to protect against objectionable or uncomfortable loud noises.

Operating equipment safely requires the full attention of the operator. Do not wear radio or music headphones while operating machine.



DX,WEAR -19-10SEP90

TS206 -UN-23AUG88

## HANDLE FUEL SAFELY—AVOID FIRES

Handle fuel with care: it is highly flammable. Do not refuel the machine while smoking or when near open flame or sparks.

Always stop engine before refueling machine. Fill fuel tank outdoors.

Prevent fires by keeping machine clean of accumulated trash, grease, and debris. Always clean up spilled fuel.



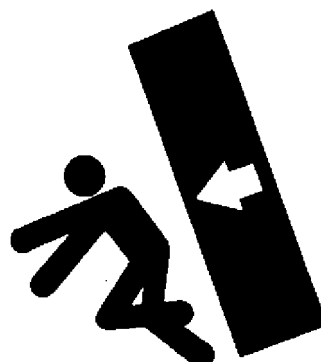
DX,FIRE1 -19-04JUN90

TS202 -UN-23AUG88

## STORE ATTACHMENTS SAFELY

Stored attachments such as dual wheels, cage wheels, and loaders can fall and cause serious injury or death.

Securely store attachments and implements to prevent falling. Keep playing children and bystanders away from storage area.



DX,STORE -19-04JUN90

TS219 -UN-23AUG88



## HANDLE STARTING FLUID SAFELY

Starting fluid is highly flammable.

Keep all sparks and flame away when using it. Keep starting fluid away from batteries and cables.

To prevent accidental discharge when storing the pressurized can, keep the cap on the container, and store in a cool, protected location.

Do not incinerate or puncture a starting fluid container.



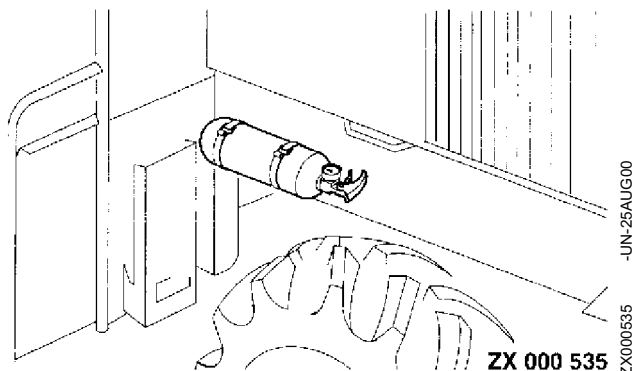
DX,FIRE3 -19-16APR92

TS1356 -UN-18MAR92

## FIRE EXTINGUISHER LOCATIONS

Keep the engine clean and free of dust, chaff, and straw to prevent the possibility of a fire.

A 6 kg (18 lb) general purpose fire extinguisher (type A, B and C) should be installed on the left-hand side of machine frame.



ZX,FIRE -19-01NOV91

ZX000535 -UN-25AUG00



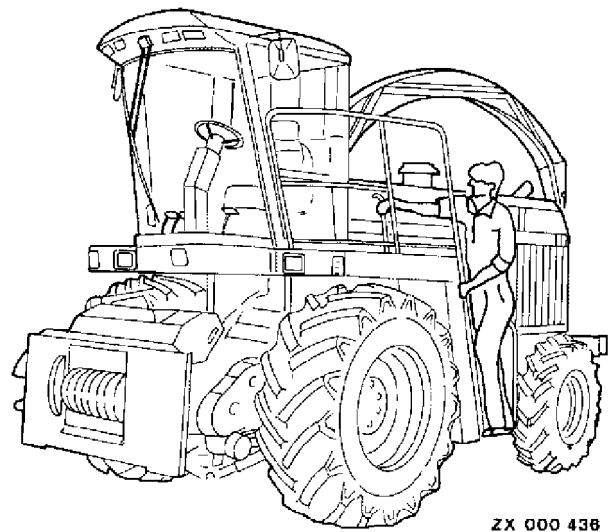
## CHECK MACHINE SAFETY

Always check the road and general operating safety of the machine before using.

FX,READY -19-28FEB91

## MOUNT AND DISMOUNT SAFELY

Use handrail when mounting or dismounting the harvester.



ZX 000 436

-UN-03APR95  
ZX000436

ZX,HANDLE -19-01OCT91

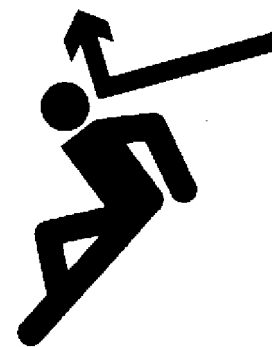
## OPERATE SAFELY

All machinery should only be operated by responsible adults who have been properly instructed and delegated to do so.

Never stand in the discharge spout path while cutterhead and fan are turning.

Never open cutterhead or fan housing doors while cutterhead is turning.

Always operate machine at rated speed.



-UN-23AUG88  
TS263

ZX,CAUTION -19-01OCT91



## RIDERS

Only allow the operator and one rider on the machine.

Other riders are subject to injury such as being thrown off the machine and obstruct the operator's view resulting in the machine being operated in an unsafe manner.

One rider is permitted, since the machine is equipped with a factory-approved passenger seat.



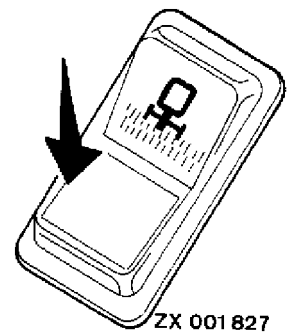
ZX,PASSENGER -19-02OCT91

TS253  
-UN-23AUG68

## ROAD SAFETY SWITCH

**IMPORTANT:** Before driving forage harvester on public roads, make sure that road safety switch is in road position.

This ensures that all hydraulic functions — with the exception of the steering system — are not working.



ZX,SWITCH -19-01OCT91

ZX001827  
-UN-25AUG00



## DRIVING THE FORAGE HARVESTER

Operate machine only when all guards are correctly installed.

Before moving away, always check immediate vicinity of machine (e.g. for children). Ensure adequate visibility. Use the horn as a warning immediately before moving away.

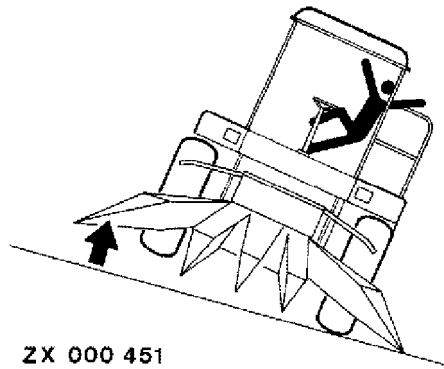
Always adapt ground speed to road or field conditions. Avoid making sharp turns when driving up or down slopes or when driving across a slope.

Attach harvesting units and other implements to forage harvester with extreme care.

When making turns, always take into consideration the width of the attachment and the fact that the rear end of the forage harvester swings out. Attachments and ground conditions affect the driving characteristics of the harvester.

Reduce ground speed when driving on slopes or over uneven ground and before making sharp turns. Before descending a steep hill, shift to a lower gear.

Avoid holes, ditches and obstructions which may cause the forage harvester to tip, particularly on hillsides.



ZX 000 451

ZX000451 -JUN-05APR95

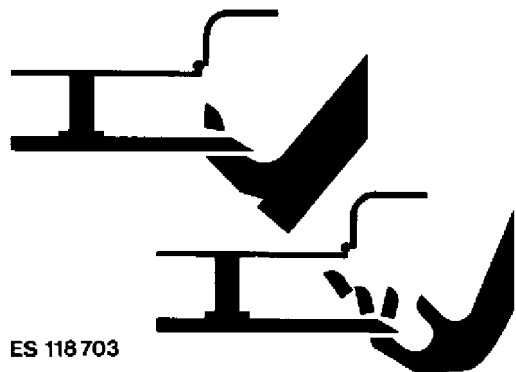
ZX,DRIVE -19-02OCT91

## GUARDS AND SHIELDS

Keep guards and shields in place at all times. Ensure that they are serviceable and installed correctly.

Always disengage main clutch, shut off engine and remove key before removing any guards or shields.

Keep hands, feet and clothing away from moving parts.



ES 118 703

ES118703 -JUN-21MAR95

FX,DEVICE -19-04DEC90



## STAY CLEAR OF HARVESTING UNITS

Cutterbar, auger, reel and feed rolls cannot be completely shielded due to their function. Stay clear of these moving elements during operation. Always disengage main clutch, shut off engine and remove key before servicing or unclogging machine.



FX,CUT -19-21DEC90

ES118704 -UN-21MAR95

## KEEP HANDS AWAY FROM KNIVES

Never attempt to clear obstructions in front of or on harvesting unit unless main clutch is disengaged, engine shut off and key removed.

Everyone must be clear of the forage harvester before starting the engine.



FX,KNIFE -19-21DEC90

-UN-23AUG88

TS254

## STAY CLEAR OF ROTATING DRIVELINES

Entanglement in rotating driveline can cause serious injury or death.

Keep tractor master shield and driveline shields in place at all times. Make sure rotating shields turn freely.

Wear close fitting clothing. Stop the engine and be sure PTO driveline is stopped before making adjustments, connections, or cleaning out PTO driven equipment.



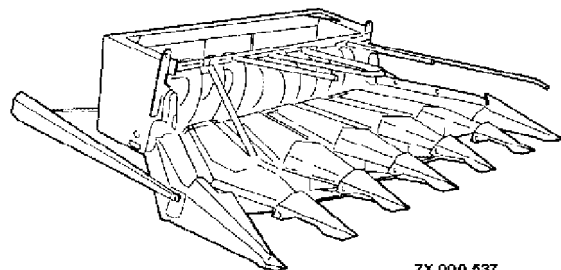
DX,PTO -19-04JUN90

-UN-23AUG88

TS198

## AVOID ENTANGLEMENT

To avoid entanglement, do not feed crop into machine by hand or attempt to manually unplug machine while it is running. The feed rolls can feed crop material in faster than you can release your grip on the material.



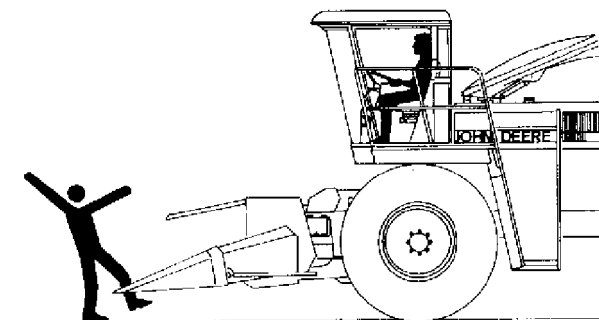
ZX,FEEDROLL -19-04DEC90

ZX000537 -UN-03APR95



## TRANSPORT WITH HARVESTING UNIT INSTALLED

Before driving forage harvester on public roads, harvesting unit must be raised and secured in this position. It must not, however, obstruct operator's view of the road. Remove crop dividers (if equipped) and install protective cover.



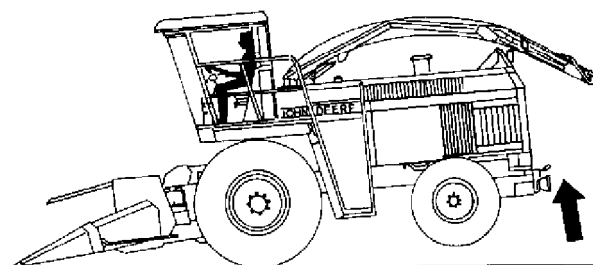
ZX 000 452

ZX,HEADER -19-04DEC90

-UN-03APR95  
ZX000452

## BALLASTING FOR SAFE GROUND CONTACT

Operating, steering and braking performance of forage harvester can be considerably affected by attachments which alter the center of gravity of the machine. To maintain safe ground contact, ballast the harvester at the rear end as necessary. Observe the maximum permissible axle loads and total weights.



ZX 000 453

ZX,WEIGHT -19-02OCT91

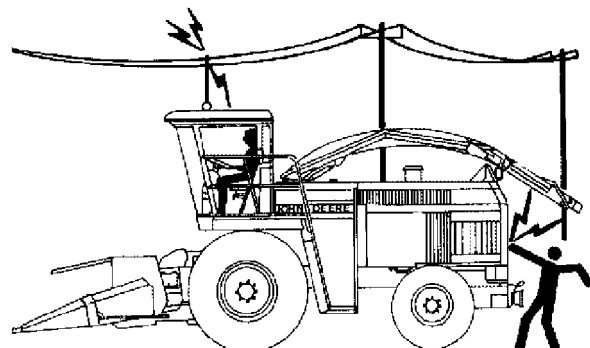
-UN-03APR95  
ZX000453

## RADIO AERIAL

If radio aerial is not secured in its transport position before driving on public roads, it may come into contact with low-hanging electrical cables. This would result in the operator suffering a severe electrical shock.

To avoid electrical shock, no portion of the machine should be higher than 4 m.

Before transporting machine, bend aerial or remove it.



ZX 000 454

ZX,ANTENNA -19-11MAY92

-UN-03APR95  
ZX000454



## PARKING AND LEAVING THE FORAGE HARVESTER

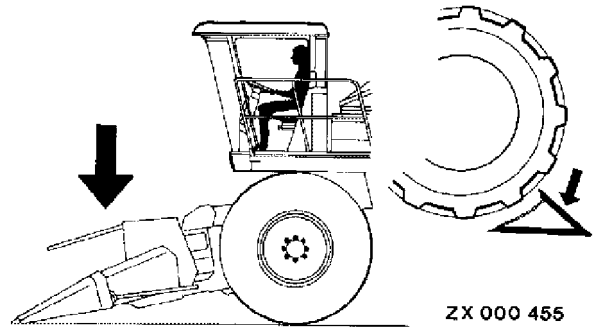
Lower harvesting unit to the ground.

Before leaving the forage harvester, disengage main clutch and shut off engine. Move gear shift lever to neutral, apply parking brake, remove key and lock the operator's cab. Position chock blocks.

*NOTE: Use only chock blocks provided with the machine.*

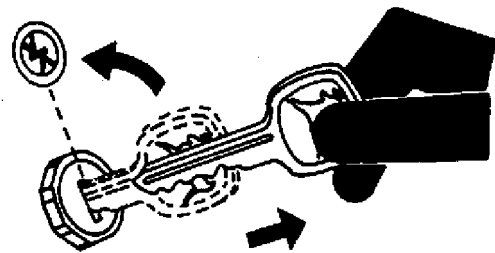
Never leave forage harvester unattended as long as engine is running.

Never leave the operator's cab when driving.



-UN-03APR95

ZX000455



-UN-24MAY89

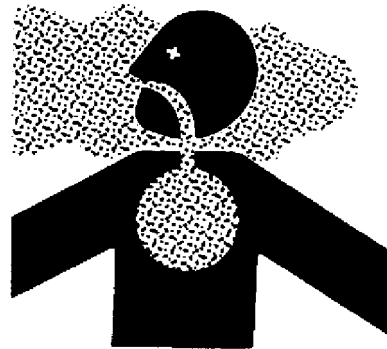
TS230

ZX,PARK -19-01OCT91

## WORK IN VENTILATED AREA

Engine exhaust fumes can cause sickness or death. If it is necessary to run an engine in an enclosed area, remove the exhaust fumes from the area with an exhaust pipe extension.

If you do not have an exhaust pipe extension, open the doors and get outside air into the area.



-UN-23AUG88

TS220

DX,AIR -19-04JUN90



## PRACTICE SAFE MAINTENANCE

Understand service procedure before doing work. Keep area clean and dry.

Never lubricate or service machine while it is moving. Keep hands, feet, and clothing from power-driven parts. Disengage all power and operate controls to relieve pressure. Lower equipment to the ground. Stop the engine. Remove the key. Allow machine to cool.

Securely support any machine elements that must be raised for service work.

Keep all parts in good condition and properly installed. Fix damage immediately. Replace worn or broken parts. Remove any buildup of grease, oil, or debris.

Disconnect battery ground cable (-) before making adjustments on electrical systems or welding on machine.



DX,SERV -19-04JUN90

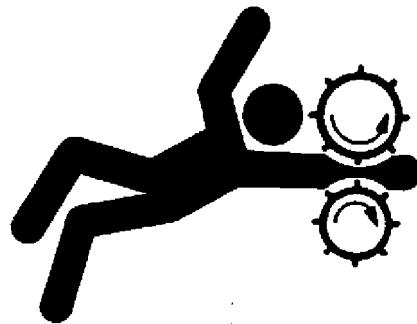
-UN-23AUG88

TS218

## SERVICE MACHINES SAFELY

Tie long hair behind your head. Do not wear a necktie, scarf, loose clothing, or necklace when you work near machine tools or moving parts. If these items were to get caught, severe injury could result.

Remove rings and other jewelry to prevent electrical shorts and entanglement in moving parts.



DX,LOOSE -19-04JUN90

-UN-23AUG88

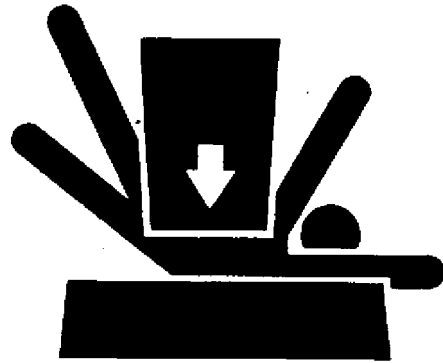
TS228



## SUPPORT MACHINE PROPERLY

Always lower the attachment or implement to the ground before you work on the machine. If you must work on a lifted machine or attachment, securely support the machine or attachment.

Do not support the machine on cinder blocks, hollow tiles, or props that may crumble under continuous load. Do not work under a machine that is supported solely by a jack. Follow recommended procedures in this manual.

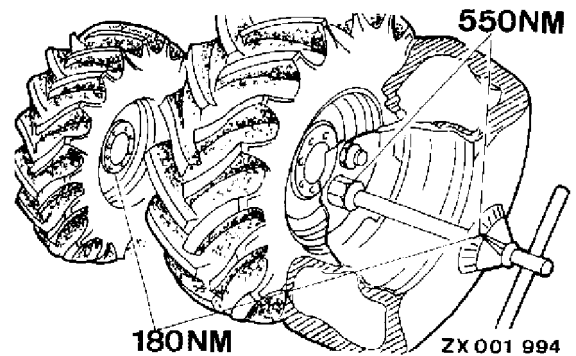


DX,LOWER -19-04JUN90

-UN-23AUG68  
TS229

## RETORQUE WHEEL NUTS

Retorque wheel nuts as specified in Sections "Wheels and Ballast" and "Lubrication, Periodic Services". Failure to do this could result in a wheel falling off during operation, causing the machine to tip over with serious injury to the operator and extensive damage to the machine.



ZX.NUTS -19-11MAY92

-UN-03APR95  
ZX001994



**Suggest:**

**For more complete manuals. Please go to the home page.**

**<https://www.ebooklibonline.com>**

**If the above button click is invalid. Please download this document first, and then click the above link to download the complete manual.**

**Thank you so much for reading**



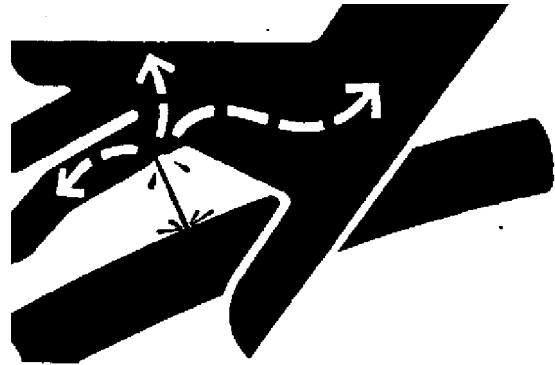
## AVOID HIGH-PRESSURE FLUIDS

Escaping fluid under pressure can penetrate the skin causing serious injury.

Avoid the hazard by relieving pressure before disconnecting hydraulic or other lines. Tighten all connections before applying pressure.

Search for leaks with a piece of cardboard. Protect hands and body from high pressure fluids.

If an accident occurs, see a doctor immediately. Any fluid injected into the skin must be surgically removed within a few hours or gangrene may result. Doctors unfamiliar with this type of injury should reference a knowledgeable medical source. Such information is available from Deere & Company Medical Department in Moline, Illinois, U.S.A.



X9811 -UN-23AUG88

DX,FLUID -19-09AUG91

## PREVENT BATTERY EXPLOSIONS

Keep sparks, lighted matches, and open flame away from the top of battery. Battery gas can explode.

Never check battery charge by placing a metal object across the posts. Use a volt-meter or hydrometer.

Do not charge a frozen battery; it may explode. Warm battery to 16°C (60°F).



TS204 -UN-23AUG88

DX,SPARKS -19-04JUN90



## PREVENT ACID BURNS

Sulfuric acid in battery electrolyte is poisonous. It is strong enough to burn skin, eat holes in clothing, and cause blindness if splashed into eyes.

Avoid the hazard by:

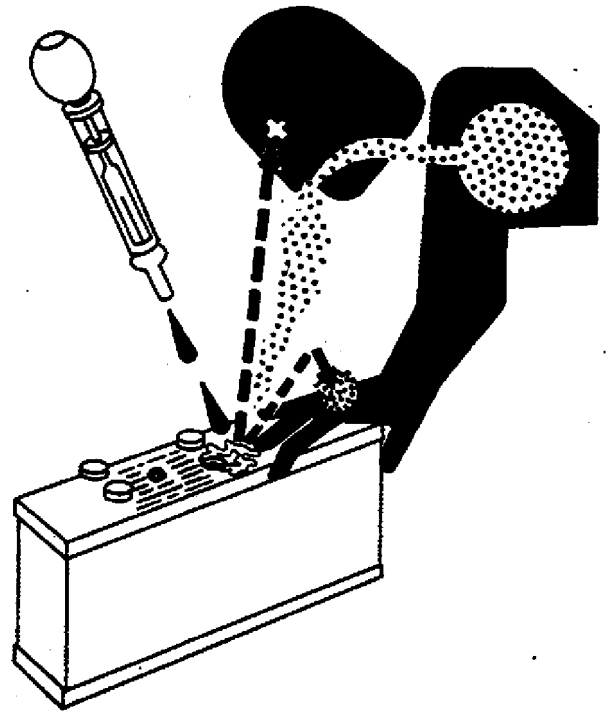
1. Filling batteries in a well-ventilated area.
2. Wearing eye protection and rubber gloves.
3. Avoiding breathing fumes when electrolyte is added.
4. Avoiding spilling or dripping electrolyte.
5. Use proper jump start procedure.

If you spill acid on yourself:

1. Flush your skin with water.
2. Apply baking soda or lime to help neutralize the acid.
3. Flush your eyes with water for 10—15 minutes. Get medical attention immediately.

If acid is swallowed:

1. Drink large amounts of water or milk.
2. Then drink milk of magnesia, beaten eggs, or vegetable oil.
3. Get medical attention immediately.



DX.POISON -19-04JUN90

TSS203 -UN-23AUG88

**<https://www.ebooklibonline.com>**

Hello dear friend!

Thank you very much for reading.

Enter the link into your browser.

The full manual is available for immediate download.

**<https://www.ebooklibonline.com>**