

**1170
Combine and
314, 316
Cutting Platforms**

**John Deere Werke Zweibrücken
OMZ92467 Issue A7**

**European Edition
Printed in Germany
ENGLISCH**

Introduction

READ THIS MANUAL carefully to learn how to operate and service your machine correctly. Failure to do so could result in personal injury or equipment damage. This manual and the safety signs on your machine may also be available in other languages (see your John Deere dealer to order).

THIS MANUAL SHOULD BE CONSIDERED a permanent part of your machine and should remain with the machine when you sell it.

MEASUREMENTS in this manual are given in both metric and customary U.S. unit equivalents. Use only correct replacement parts and fasteners. Metric and inch fasteners may require a specific metric or inch wrench.

RIGHT-HAND AND LEFT-HAND sides are determined by facing the direction of forward travel.

WRITE PRODUCT IDENTIFICATION NUMBERS (P.I.N.) in the Specification or Identification Numbers section. Accurately record all the numbers to help in tracing the machine should it be stolen. Your dealer also needs these numbers when you order parts. File the identification numbers in a secure place off the machine.

SETTING FUEL DELIVERY BEYOND PUBLISHED factory specifications or otherwise overpowering will result in loss of warranty protection for this machine.

BEFORE DELIVERING THIS MACHINE, your dealer performed a predelivery inspection. After operating for the first 20 to 50 hours, schedule an after-sale inspection with your dealer to ensure best performance.

THIS COMBINE IS DESIGNED SOLELY for use in customary agricultural or similar operations ("INTENDED USE"). Use in any other way is considered as contrary to the intended use. The manufacturer accepts no liability for damage or injury resulting from this misuse, and these risks must be borne solely by the user. Compliance with and strict adherence to the conditions of operation, service and repair as specified by the manufacturer also constitute essential elements for the intended use.

THIS COMBINE SHOULD BE OPERATED, serviced and repaired only by persons familiar with all its particular characteristics and acquainted with the relevant safety rules (accident prevention). The accident prevention regulations, all other generally recognized regulations on safety and occupational medicine and the road traffic regulations must be observed at all times. Any arbitrary modifications carried out on this combine will relieve the manufacturer of all liability for any resulting damage or injury.

Contents

	Page		Page
Identification View	00-1	Encoding Stop Warnings	20-29
Safety	05-1	Deleting Data	20-31
Safety Decals	10-1	Testing Combine Harvester Computer Components	20-32
Controls and Instruments		Adjusting Sieve Loss Sensor Position	20-33
Survey	15-1	Sensitivity of sensors	20-34
Multi-Function Lever	15-2	Operational Check	20-35
Instrument Console	15-3	Lighting System and Signals	
Roof Console	15-4	Light Switch	25-1
Operator's Cab Controls—Functions	15-5	Full beam	25-1
Instrument Console—Functions	15-7	Work Lights	25-1
Multi-Function Lever—Functions	15-11	Hazard Warning Lights	25-2
Roof Console—Functions	15-12	Turn Signals	25-2
Miscellaneous Controls	15-14	Operator's Cab	
Miscellaneous Controls—Outside Operator's Cab	15-15	Cab Lighting	30-1
Warning Devices and Monitors		Access Ladder	30-1
Indicator Lights I	20-1	Operator's Seat	30-2
Indicator Lights II	20-5	Armrest	30-2
Combine Harvester Computer	20-6	Foot Brakes	30-3
Component Description	20-7	Parking Brake	30-3
Monitor Description	20-8	Steering Column	30-3
Key Description	20-9	Storage Compartment	30-4
Switching ON Combine Harvester Computer	20-13	Tool Box	30-4
Combine Harvester Computer Main Menu	20-14	Document Holder	30-4
Selecting Screen Display Language	20-15	Rear Tool Box	30-4
Operating Combine Harvester Computer	20-16	Door	30-5
Accessing Area Functions	20-18	Cab Windows	30-5
Accessing Time Functions	20-19	Sun Visor	30-5
Encoding Combine Harvester Computer	20-20	Pre-Starting Checks	
Adjusting Grain Loss Level	20-23	Daily Checks	35-1
Adjusting Wheel Circumference	20-24	Engine Oil Level	35-1
Adjusting Working Width	20-25	Hydraulic Oil Level	35-2
Adjusting Loss Warning	20-26	Coolant Level	35-2
Adjusting Field Size	20-27	Fuel Level	35-2
Adjusting Date/Clock	20-28	Lubricating The combine	35-3
		Rotary Radiator Screen	35-4

Continued on next page

All information, illustrations and specifications in this manual are based on the latest information available at the time of publication. The right is reserved to make changes at any time without notice.

OMZ92467 A7-19-03FEB97

COPYRIGHT© 1997
DEERE & COMPANY
European Office Mannheim
All rights reserved
A John Deere ILLUSTRATION® Manual
Previous Editions
Copyright 1996 Deere & Company

<https://www.ebooklibonline.com>

Hello dear friend!

Thank you very much for reading.

Enter the link into your browser.

The full manual is available for immediate download.

<https://www.ebooklibonline.com>

Contents

	Page		Page
Air Intake System	35-4	Concave/Cylinder Spacing	55-14
Tires	35-4	Separator Operation	55-16
Checks In Operator's Cab	35-5	Evaluating Separation	55-17
Operating the Engine		Cleaning Unit	55-17
Engine Break-In	40-1	Grain Screen	55-19
Starting The Engine	40-3	Fan	55-20
Cold weather starting aid	40-7	Evaluating Cleaning	55-21
Stopping The Engine	40-9	Grain Handling and Storage Units	55-22
Driving and Transporting Harvester		Grain Loss Limit	55-22
Driving The Harvester	45-1	Cutting Platform Losses	55-27
Steering And Driving	45-1	Separator Losses	55-27
Operating The Foot Brakes	45-2	Straw Walker Losses	55-28
Raising Header	45-2	Measuring Losses	55-28
Road Safety Switch	45-3	Threshing Adjustments	55-35
Forward And Reverse Travel	45-3	Combine Settings	55-36
Reverse Travel Alarm	45-4	Preparations Before Changing Crop	55-36
Choosing Correct Ground Speed	45-4	Preparations For Harvesting Grain Crops	55-37
Transport Information	45-5	Preparations For Harvesting Corn	55-37
Transport Under Own Power	45-6	Preparations For Harvesting Oil Seed Crops	55-37
Towing The Harvester	45-6	Operating The Cutting Platform In Standing Crops	55-38
Wheels, Axles and Additional Weights		Operating The Cutting Platform In Low Height Crops	55-39
Tire Maintenance	50-1	Operating The Cutting Platform In Downed Crops	55-39
Wheel Bolts And Nuts	50-1	Feeder House	
Mounting Tires	50-2	Header Installation	60-1
Changing Tires	50-3	Hydraulic Connections	60-1
Tire Pressures	50-3	Coupling The Drives	60-2
Counterweights	50-3	Levelling Feeder House	60-2
Preparations and Field Operation		Locking Header Lift Cylinders	60-3
Fundamentals of Combine Operation	55-1	3rd Lift Cylinder	60-4
Cutting and Harvesting Unit	55-2	Removing The Header	60-4
Cutting Platform	55-2	Storing Hydraulic Hoses	60-4
Combine Ground Speed	55-3	Hydraulic Reverser	60-5
Cutting Height	55-3	Adjusting Floating Drum Height	60-5
Cutting Platform Reel Operation	55-4	Adjusting Tension of Feeder Conveyor Chain	60-6
Feeder House	55-7	Cutting Platform (314 and 316)	
Threshing Unit	55-8	Adjusting Reel Minimum Height	65-1
Threshing Principles	55-8	Angling Reel Pickup Fingers	65-1
Cylinder And Bar Concave	55-9	Tilting Cutterbar	65-1
Threshing Evaluation	55-10	Cutterbar Position	65-3
Examination Of Tailings	55-10	Adjusting Cutterbar Position	65-4
Examination Of Grain	55-11	Auger Height	65-6
Examination Of Straw	55-11	Auger Horizontal Position	65-8
Examination Of Grain Loss	55-12	Adjusting Auger Horizontal Position	65-9
Harvesting Small Grain	55-12		
Harvesting Large Crops	55-13		
Cylinder Speed	55-13		

Continued on next page

Contents

	Page		Page
Adjusting Auger Scrapers	65-9	Straw Chopper Electro-Magnetic Clutch	
Adjusting Retractable Pickups	65-10	Switches	75-7
Separator and Cleaning Unit		Disengaging Straw Chopper	75-8
Cylinder Inspection Ports	70-1	Moving Straw Distributor Into Transport	
Opening Stone Trap Bottom Plate	70-2	Position	75-9
Cylinder Bars	70-2	Replacing Rotating Knives	75-10
Rotating Cylinder By Hand	70-3	Replacing Counter-Knives	75-10
Concave And Cylinder Alignment	70-3	Grain Tank Loading and Unloading	
Adjusting Concave-to-Cylinder Spacing	70-4	Grain Tank Inspection Window	80-1
Adjusting Concave Extension	70-4	Lower Elevator Inspection Windows	80-1
Cylinder Baffle	70-5	Elevator Auger Covers	80-1
Concave De-Awning Plates	70-5	Clean Grain Elevator Upper Cover	80-2
Straw Walker Types	70-6	Grain Tank Cover	80-2
Fishbacks	70-6	Adjusting Lower Auger Covers	80-2
Straw Walker Curtain	70-7	Auger Feeder	80-2
Adjusting Straw Walker Bearings	70-8	Checking Elevator Conveyor Chains	80-3
Cleaner Arms And Connecting Rods	70-8	Adjusting Tailings Elevator Conveyor	
Screens	70-9	Chain	80-3
Adjusting Chaffer Extension Angle	70-9	Adjusting Grain Elevator Conveyor Chain	80-3
Grain Saver System	70-10	Adjusting Unloading Auger Cut-Out	
Chaffer Extension	70-10	Device	80-4
Comb-Type Chaffer Extension	70-11	Fuel, Lubricants, Coolant and Capacities	
Grain Retention Plate	70-11	Engine Oil	85-2
Removing Chaffer Extension	70-11	Coolant	85-3
Removing Chaffer	70-12	Transmission Oil	85-4
Removing Grain Sieve	70-12	Hydraulic Oil	85-5
Cleaning The Chaffers And Sieves	70-12	Brake Fluid	85-6
Opening The Pan	70-12	Grease	85-7
Adjusting Air Flow Direction	70-13	Alternative Lubricants	85-7
Adjusting Fan Speed	70-13	Lubricant Storage	85-8
Bar Concave For Large Grain	70-14	Periodic Maintenance	85-9
Special Kit For Corn	70-14	Lubrication Chart, Periodic Service	
Straw Chopper		Lubrication Charts	90-1
General Information	75-1	Break-in Period	90-5
Engaging Straw Chopper	75-1	Every 10 Hours	90-5
Moving Straw Distributor Into Operating		After The First 100 Hours	90-6
Position	75-2	Every 250 Hours	90-6
Adjusting Straw Deflectors	75-3	Every 500 Hours	90-6
Adjusting Counter-Knives	75-3	Every 1000 Hours	90-7
Chopping Corn And Sunflowers	75-4	After Each Harvesting Season	90-7
Reducing Straw Chopper Rotor Speed	75-5	Belts	90-9
Operating Straw Chopper	75-5	Chains	90-10
Driving On Public Roads	75-6	Service — Engine	
Electro-Magnetic Straw Chopper Clutch	75-6	Engine Service Platform	95-1
Straw Chopper Alarm (Independent Of		Engine Service Flap	95-1
Combine Harvester Computer)	75-7	Adjusting Engine Valve Tappets	95-1
		Checking Oil level	95-2

Continued on next page

Contents

	Page		Page
Changing Oil And Filter	95-3	Adjusting Cutting Platform Auger Slip Clutch	105-5
Service — Fuel System	95-4	Feeder House Drive	105-6
Fuel System	95-5	Adjusting Feeder House Slip Clutch	105-6
Fuel Tank Filler Neck	95-5	Adjusting Header Drive Chain	105-6
Fuel Tank Water Trap	95-6	Replacing Header Drive Chain	105-7
Emptying Fuel Filter	95-6	Replacing Feeder House Drive Belt	105-7
Replacing Fuel Filter Element	95-7	Adjusting Feeder House Hydraulic Reverser Drive Chain	105-8
Cleaning The Fuel System Water Trap	95-8	Adjusting Threshing Unit Drive Belt Tension	105-9
Fuel Transfer Pump	95-8	Replacing Threshing Unit Drive Belt	105-9
Checking Injection Nozzles	95-8	Adjusting Threshing Unit Drive Belt Guide	105-10
Bleeding The Fuel System	95-9	Adjusting Hydraulic Variable Speed Drive	105-10
Engine Coolant	95-11	Replacing Cylinder Variable Speed Drive Belt	105-11
Radiator Coolant Level	95-11	Adjusting Straw Walker V-Belt Tension	105-13
Cooling System Components	95-12	Adjusting Straw Walker Drive Chain	105-13
Cleaning the Rotary Screen	95-12	Adjusting Straw Walker Slip Clutch	105-13
Flushing The Cooling System	95-13	Adjusting The Fan Variable Speed Drive Belt Tension	105-13
Replacing Thermostats	95-14	Replacing The Fan Variable Speed Drive Belt	105-14
Checking Belt Tension And Wear	95-14	Adjusting Tailings Elevator Drive Belt Tension	105-15
Replacing Fan/Alternator V-Belt	95-16	Adjusting Tailings Elevator Slip Clutch	105-16
Air Intake System	95-16	Adjusting Tailings Elevator Upper Auger Drive	105-16
Air Filter Primary Element	95-17	Adjusting Clean Grain Elevator Slip Clutch	105-16
Washing Element	95-18	Adjusting Clean Grain Elevator Drive Belt Tension	105-16
Replacing Air Filter Primary Element	95-18	Adjusting Upper Auger Drive Chain	105-17
Replacing Air Filter Secondary Element	95-19	Adjusting Auger Feeder Drive Chain	105-17
Element Storage	95-19	Adjusting Unloading System Drive	105-18
Air Intake Lines	95-20	Adjusting Unloading Auger Drive Chain	105-19
Turbocharger	95-20	Tensioning Drive Belt To Straw Chopper Countershaft	105-19
Service — Compressed Air System		Adjusting Straw Chopper Intermediate Drive Belt	105-20
Compressed Air System Reservoir	100-1		
Draining The Air Reservoir	100-1	Service — Electrical System	
Air Hose	100-1	Specifications	110-1
Using Compressed Air	100-1	Alternator	110-4
Adjusting Compressor Drive Belt Tension	100-2	Starting motor	110-4
Service — Drives and Shields		Electronic Boards	110-5
Right Side Shield	105-1	Fuses On Fuse Board	110-6
Left Side Shields	105-2	Relays On Fuse Board	110-7
Straw Chopper Idler Pulley Shield	105-2	Straw Chopper And Fan Motor Control Box	110-7
Header Drive Shield	105-3		
Drive Chains	105-3		
V-Belts	105-4		
Adjusting Hydraulic Pump Drive Belt Tension	105-4		
Adjusting Reel Motor Chain Tension	105-4		
Adjusting Cutterbar Drive Belt	105-5		
Adjusting Cutting Platform Auger Drive Chain	105-5		

Continued on next page

Contents

	Page		Page
Combine Harvester Computer Control Box . . .	110-8		
Cab Roof Fuses	110-8		
Starting Motor Relay	110-8		
Solenoid Valves	110-9		
Adjusting Fan Speed Sending Unit	110-9		
Adjusting Tailings And Grain Auger Sending Units	110-10		
Adjusting Straw Walker Sending Units	110-10		
Adjusting Straw Chopper Speed Sending Unit	110-11		
Adjusting Combine Ground Speed Sending Unit	110-11		
Adjusting Area Counter Switch	110-11		
Adjusting Fan Drive Motor Limit Switches . . .	110-12		
 Service — Hydraulic System		 Service — Cutting Platform	
Pressure Relief Valves	115-2	Cutterbar Removal And Installation	130-1
Hydraulic System Description	115-3	Blade Position	130-1
Hydraulic Oil Reservoir	115-4	Aligning Double Fingers	130-2
Checking Hydraulic Oil Level	115-4	Adjusting Cutterbar Wear Plate	130-3
Changing The Hydraulic Oil Filter	115-5	Adjusting Blade Support Clamps	130-4
Draining Hydraulic System Oil	115-6	Checking Cutting Mechanism Drive Oil Level	130-4
Refilling Hydraulic System	115-7		
Bleeding The Reel Variable Speed Drive System	115-7	 Storage	
Accumulator	115-8	After The Season	135-1
		Removing Combine From Storage	135-4
 Service — Ground Speed Drive		 Specifications	
Brake Fluid Reservoir	120-1	Operating Speeds	140-1
Adjusting Foot Brakes	120-1	300 Series Cutting Platforms	140-2
Adjusting Parking Brake	120-1	1170 Combine	140-3
Hydrostatic Drive Components	120-2	1170 Combine Dimensions	140-8
Changing Hydrostatic Drive Oil And Filter . . .	120-3		
Cleaning Oil Cooler	120-4	 Serial Numbers	
Transmission	120-5	Type Plates	145-1
Final Drives	120-6		
Tightening Front Axle Attaching Screws	120-6	 Index	
Rear Axle Toe-In	120-7		
Steering System Components	120-8		
 Service — Air Conditioning and Heating			
Adjusting Compressor Drive Belt Tension . . .	125-1		
Checking Refrigerant Level	125-1		
Low Pressure Switch	125-2		
High Pressure Switch	125-2		
Cleaning The Condenser	125-3		
Cab Air Filters	125-3		
Cleaning Air Intake Opening	125-3		
Cab Air Filters	125-4		
Cleaning Paper Filter Element	125-5		
Cleaning Evaporator	125-6		

Contents

Identification View



ZX,OMSLC 006476-19-01MAY96

Safety

RECOGNIZE SAFETY INFORMATION

This is the safety-alert symbol. When you see this symbol on your machine or in this manual, be alert to the potential for personal injury.

Follow recommended precautions and safe operating practices.



DX,ALERT -19-03MAR93

T81389 -UN-07DEC68

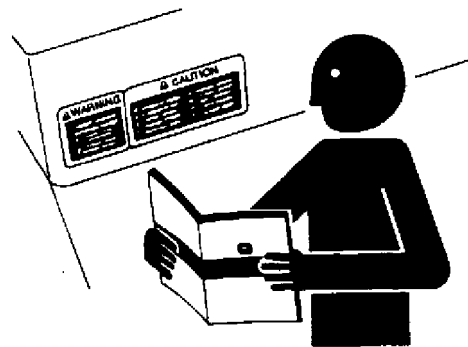
FOLLOW SAFETY INSTRUCTIONS

Carefully read all safety messages in this manual and on your machine safety signs. Keep safety signs in good condition. Replace missing or damaged safety signs. Be sure new equipment components and repair parts include the current safety signs. Replacement safety signs are available from your John Deere dealer.

Learn how to operate the machine and how to use controls properly. Do not let anyone operate without instruction.

Keep your machine in proper working condition. Unauthorized modifications to the machine may impair the function and/or safety and affect machine life.

If you do not understand any part of this manual and need assistance, contact your John Deere dealer.



DX,READ -19-03MAR93

T5201 -UN-23AUG88

UNDERSTAND SIGNAL WORDS

A signal word—DANGER, WARNING, or CAUTION—is used with the safety-alert symbol. DANGER identifies the most serious hazards.

DANGER or WARNING safety signs are located near specific hazards. General precautions are listed on CAUTION safety signs. CAUTION also calls attention to safety messages in this manual.



DX,SIGNAL -19-03MAR93

TS187 -19-30SEP88



OBSERVE ROAD TRAFFIC REGULATIONS

Always observe local road traffic regulations when using public roads.



H28930 -UN-30JUN89

FX,ROAD -19-01MAY91



CAUTION: Avoid possible injury or death from machinery runaway.

Do not start engine by shorting across starter terminals. Machine will start in gear if normal circuitry is bypassed.

NEVER start engine while standing on ground. Start engine only from operator's seat, with transmission in neutral or park.

DX,BYPAS -19-26JAN90

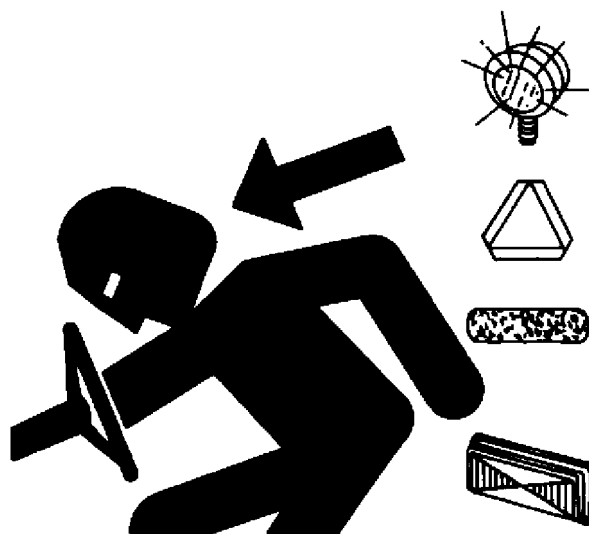


USE SAFETY LIGHTS AND DEVICES

Slow moving tractors, self-propelled equipment and towed implements or attachments can create a hazard when driving on public roads. They are difficult to see, especially at night. Avoid personal injury or death resulting from collision with a vehicle.

If legally permitted, use flashing warning lights or rotary beacons whenever driving on public roads. To increase visibility, use the lights and devices provided with your machine. For some equipment, install additional flashing warning lights.

Keep safety items in good condition. Replace missing or damaged items. An implement safety lighting kit is available from your John Deere dealer.



TS951 -UN-12APR90

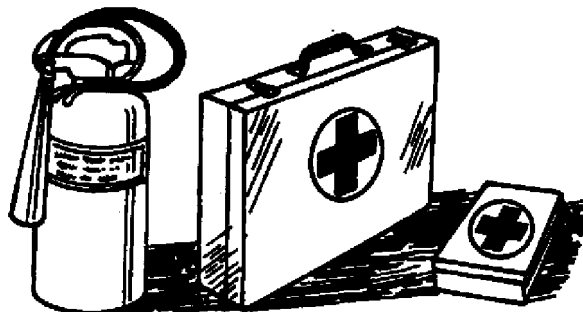
ZX,FLASH -19-01OCT91

PREPARE FOR EMERGENCIES

Be prepared if a fire starts.

Keep a first aid kit and fire extinguisher handy.

Keep emergency numbers for doctors, ambulance service, hospital, and fire department near your telephone.



TS291 -UN-23AUG88

DX,FIRE2 -19-03MAR93



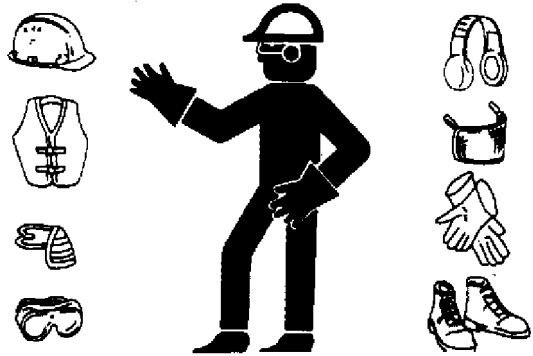
WEAR PROTECTIVE CLOTHING

Wear close fitting clothing and safety equipment appropriate to the job.

Prolonged exposure to loud noise can cause impairment or loss of hearing.

Wear a suitable hearing protective device such as earmuffs or earplugs to protect against objectionable or uncomfortable loud noises.

Operating equipment safely requires the full attention of the operator. Do not wear radio or music headphones while operating machine.



DX,WEAR -19-10SEP90

TS206 -UN-23AUG88

HANDLE FUEL SAFELY—AVOID FIRES

Handle fuel with care: it is highly flammable. Do not refuel the machine while smoking or when near open flame or sparks.

Always stop engine before refueling machine. Fill fuel tank outdoors.

Prevent fires by keeping machine clean of accumulated trash, grease, and debris. Always clean up spilled fuel.



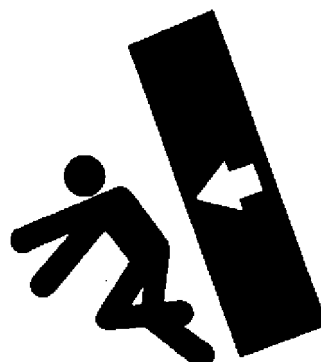
DX,FIRE1 -19-03MAR93

TS202 -UN-23AUG88

STORE ATTACHMENTS SAFELY

Stored attachments such as dual wheels, cage wheels, and loaders can fall and cause serious injury or death.

Securely store attachments and implements to prevent falling. Keep playing children and bystanders away from storage area.



DX,STORE -19-03MAR93

TS219 -UN-23AUG88

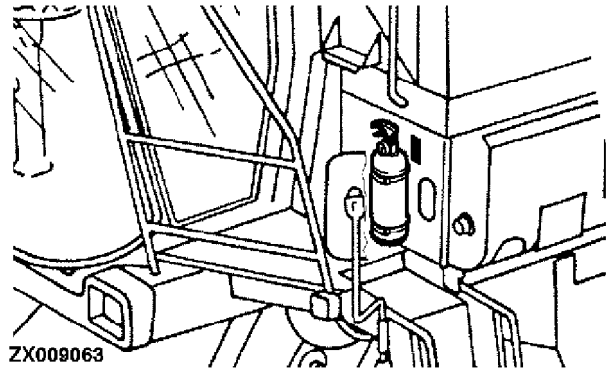


FIRE EXTINGUISHER

A 6 kg (13 lb) general purpose fire extinguisher meeting local legal requirements has to be installed on the left-hand side of the operator's platform.

Maintain fire extinguisher to keep it in operational condition.

Keep the engine clean and free of dust, chaff and straw to prevent the possibility of a fire.



ZX009063

ZX,FIRESLC -19-01MAY96

-UN-10JUN96

ZX009063

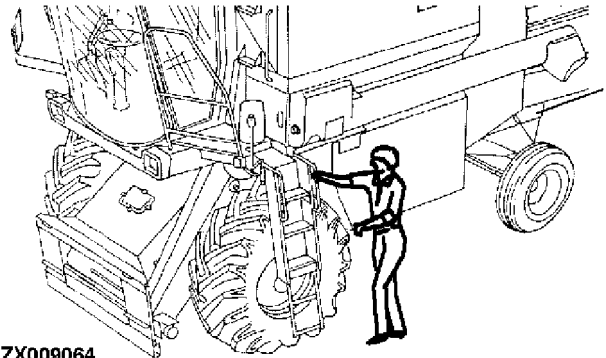
CHECK MACHINE SAFETY

Always check the road and general operating safety of the machine before using.

FX,READY -19-28FEB91

MOUNT AND DISMOUNT SAFELY

Use handrail when mounting or dismounting the combine.



ZX009064

ZX,HANDLESLC -19-01MAY96

-UN-10JUN96

ZX009064

RIDERS

Only allow the operator and one rider on the machine.

Other riders are subject to injury such as being thrown off the machine and obstruct the operator's view resulting in the machine being operated in an unsafe manner.

One rider is permitted, since the machine is equipped with a factory-approved passenger seat.



ZX,PASSENGER -19-02OCT91

-UN-23AUG88

TS253



EMERGENCY EXIT

The right-hand cab window may be used as an emergency exit. Disengage the linkage on the sidewall of the cab and open the window.

ZX009065



ZX009065 -UN-10JUN96

ZX,OMSLC006477 -19-01MAY96

DRIVING THE COMBINE

Operate machine only when all guards are correctly installed.

Before moving away, always check immediate vicinity of machine (e.g. for children). Ensure adequate visibility. Use the horn as a warning immediately before moving away.

Always adapt ground speed to road or field conditions. Avoid making sharp turns when driving up or down slopes or when driving across a slope. Be especially careful when turning on slopes with full grain tank.

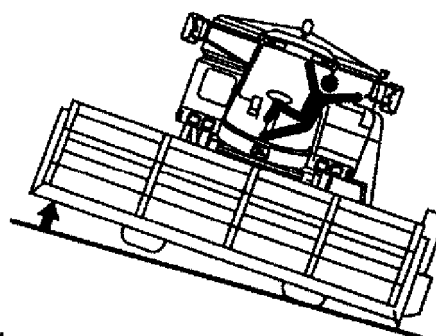
Attach harvesting units and other implements to combine with extreme care.

When making turns, always take into consideration the width of the attachment and the fact that the rear end of the combine swings out. Attachments and ground conditions affect the driving characteristics of the combine.

Reduce ground speed when driving on slopes or over uneven ground and before making sharp turns. Before descending a steep hill, shift to a lower gear.

Avoid holes, ditches and obstructions which may cause the combine to tip, particularly on hillsides.

ZX002461



ZX002461 -UN-16JUN95

ZX,DRIVEXZCO -19-27JAN92

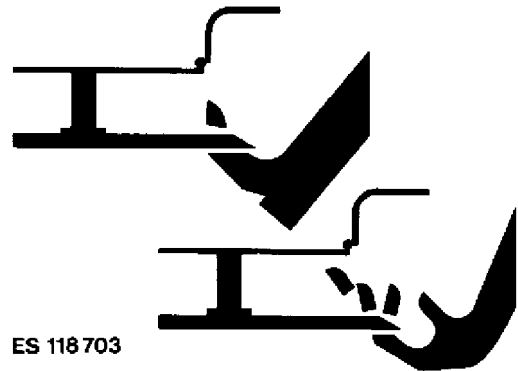


GUARDS AND SHIELDS

Keep guards and shields in place at all times. Ensure that they are serviceable and installed correctly.

Always disengage main clutch, shut off engine and remove key before removing any guards or shields.

Keep hands, feet and clothing away from moving parts.



ES 118 703

FX,DEVICE -19-04DEC90

ES118703 -UN-21MAR95

STAY CLEAR OF HARVESTING UNITS

Cutterbar, auger, reel and feed rolls cannot be completely shielded due to their function. Stay clear of these moving elements during operation. Always disengage main clutch, shut off engine and remove key before servicing or unclogging machine.



ES 118 704

FX,CUT -19-21DEC90

ES118704 -UN-21MAR95

STAY CLEAR OF ROTATING DRIVELINES

Entanglement in rotating driveline can cause serious injury or death.

Keep tractor master shield and driveline shields in place at all times. Make sure rotating shields turn freely.

Wear close fitting clothing. Stop the engine and be sure PTO driveline is stopped before making adjustments, connections, or cleaning out PTO driven equipment.

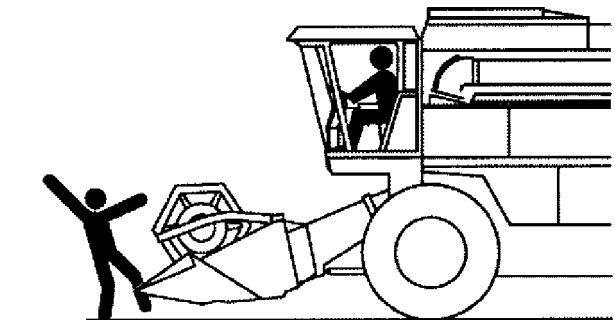


DX,PTO -19-12SEP95

TS1644 -UN-22AUG95

TRANSPORT WITH HARVESTING UNIT INSTALLED

Before driving combine on public roads, harvesting unit must be raised and secured in this position. It must not, however, obstruct operator's view of the road. Remove crop dividers (if equipped) and install protective cover.



ZX002462

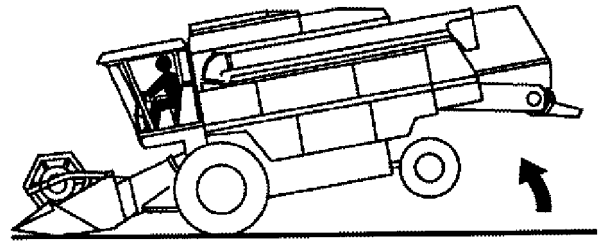
ZX,HEADERXZCO -19-27JAN92

ZX002462 -UN-16JUN95



BALLASTING FOR SAFE GROUND CONTACT

Operating, steering and braking performance of the combine can be considerably affected by attachments which alter the center of gravity of the machine. To maintain safe ground contact, ballast the combine at the rear end as necessary. Observe the maximum permissible axle loads and total weights.



ZX002463

ZX,WEIGHTXZCO -19-27JAN92

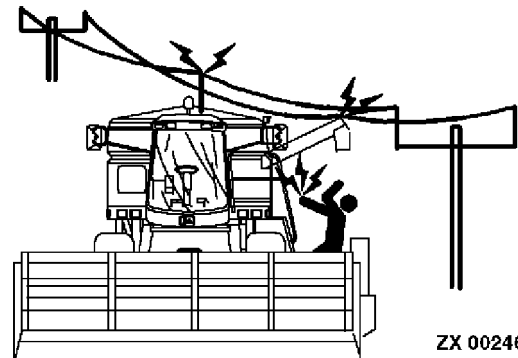
-UN-16JUN95
ZX002463

RADIO AERIAL

If radio aerial is not secured in its transport position before driving on public roads, it may come into contact with low-hanging electrical cables. This would result in the operator suffering a severe electrical shock.

To avoid electrical shock, no portion of the machine should be higher than 4 m.

Before transporting machine, bend aerial or remove it.



ZX 002464

ZX,ANTENNAZCO -19-27JAN92

-UN-16JUN95
ZX002464

PARKING AND LEAVING THE COMBINE

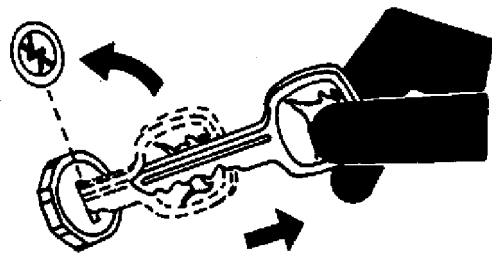
Lower harvesting unit to the ground.

Before leaving the combine, disengage harvesting unit and separator. Shut off engine and move gear shift lever to neutral. Apply parking brake, remove key and lock the operator's cab. Position chock blocks.

NOTE: Use only chock blocks provided with the machine.

Never leave combine unattended as long as engine is running.

Never leave the operator's cab when driving.



ZX,PARKXZCO -19-13APR92

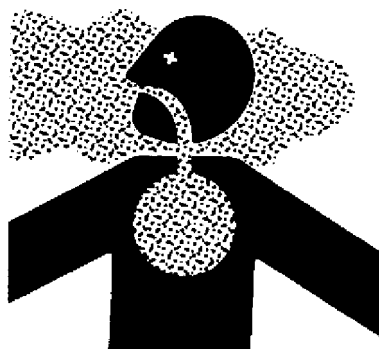
-UN-24MAY89
TS230



WORK IN VENTILATED AREA

Engine exhaust fumes can cause sickness or death. If it is necessary to run an engine in an enclosed area, remove the exhaust fumes from the area with an exhaust pipe extension.

If you do not have an exhaust pipe extension, open the doors and get outside air into the area.



DX,AIR -19-04JUN90

TS220 -UN-23AUG88

PRACTICE SAFE MAINTENANCE

Understand service procedure before doing work. Keep area clean and dry.

Never lubricate, service, or adjust machine while it is moving. Keep hands, feet, and clothing from power-driven parts. Disengage all power and operate controls to relieve pressure. Lower equipment to the ground. Stop the engine. Remove the key. Allow machine to cool.

Securely support any machine elements that must be raised for service work.

Keep all parts in good condition and properly installed. Fix damage immediately. Replace worn or broken parts. Remove any buildup of grease, oil, or debris.

Disconnect battery ground cable (-) before making adjustments on electrical systems or welding on machine.



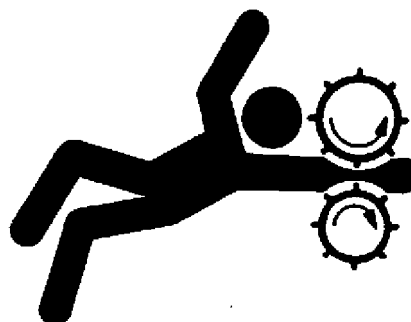
DX,SERV -19-03MAR93

TS218 -UN-23AUG88

SERVICE MACHINES SAFELY

Tie long hair behind your head. Do not wear a necktie, scarf, loose clothing, or necklace when you work near machine tools or moving parts. If these items were to get caught, severe injury could result.

Remove rings and other jewelry to prevent electrical shorts and entanglement in moving parts.



DX,LOOSE -19-04JUN90

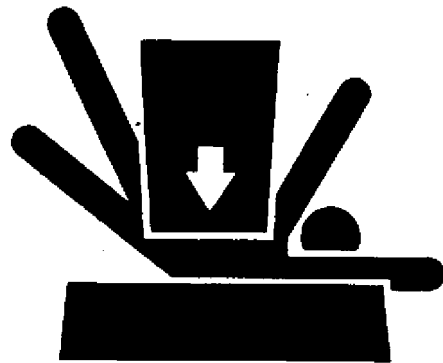
TS228 -UN-23AUG88



SUPPORT MACHINE PROPERLY

Always lower the attachment or implement to the ground before you work on the machine. If you must work on a lifted machine or attachment, securely support the machine or attachment.

Do not support the machine on cinder blocks, hollow tiles, or props that may crumble under continuous load. Do not work under a machine that is supported solely by a jack. Follow recommended procedures in this manual.

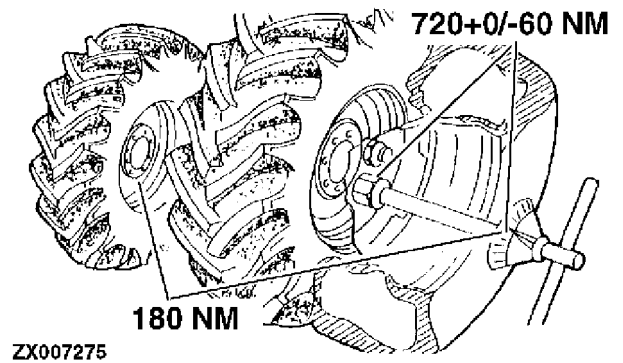


DX,LOWER -19-04JUN90

-UN-23AUG68
TS229

RETORQUE WHEEL NUTS

Retorque wheel nuts as specified in Sections "Wheels and Ballast" and "Lubrication, Periodic Services". Failure to do this could result in a wheel falling off during operation, causing the machine to tip over with serious injury to the operator and extensive damage to the machine.



ZX,NUTS -19-01MAR95

-UN-19JUN95
ZX007275



Suggest:

For more complete manuals. Please go to the home page.

<https://www.ebooklibonline.com>

If the above button click is invalid. Please download this document first, and then click the above link to download the complete manual.

Thank you so much for reading



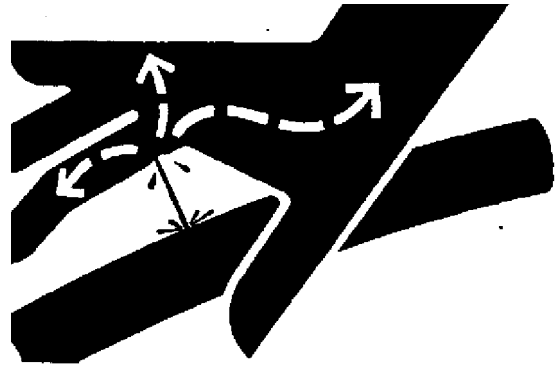
AVOID HIGH-PRESSURE FLUIDS

Escaping fluid under pressure can penetrate the skin causing serious injury.

Avoid the hazard by relieving pressure before disconnecting hydraulic or other lines. Tighten all connections before applying pressure.

Search for leaks with a piece of cardboard. Protect hands and body from high pressure fluids.

If an accident occurs, see a doctor immediately. Any fluid injected into the skin must be surgically removed within a few hours or gangrene may result. Doctors unfamiliar with this type of injury should reference a knowledgeable medical source. Such information is available from Deere & Company Medical Department in Moline, Illinois, U.S.A.



X9811 -UN-23AUG88

DX,FLUID -19-03MAR93

PREVENT BATTERY EXPLOSIONS

Keep sparks, lighted matches, and open flame away from the top of battery. Battery gas can explode.

Never check battery charge by placing a metal object across the posts. Use a volt-meter or hydrometer.

Do not charge a frozen battery; it may explode. Warm battery to 16°C (60°F).



TS204 -UN-23AUG88

DX,SPARKS -19-03MAR93



PREVENT ACID BURNS

Sulfuric acid in battery electrolyte is poisonous. It is strong enough to burn skin, eat holes in clothing, and cause blindness if splashed into eyes.

Avoid the hazard by:

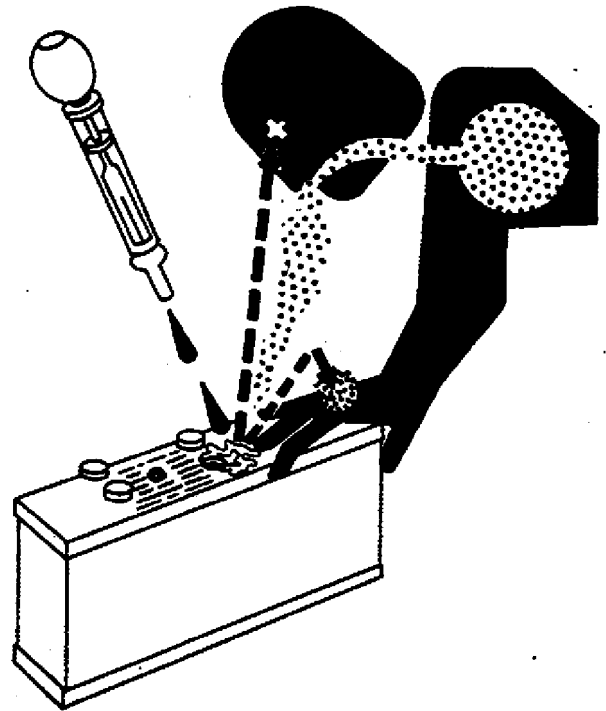
1. Filling batteries in a well-ventilated area.
2. Wearing eye protection and rubber gloves.
3. Avoiding breathing fumes when electrolyte is added.
4. Avoiding spilling or dripping electrolyte.
5. Use proper jump start procedure.

If you spill acid on yourself:

1. Flush your skin with water.
2. Apply baking soda or lime to help neutralize the acid.
3. Flush your eyes with water for 15—30 minutes. Get medical attention immediately.

If acid is swallowed:

1. Do not induce vomiting.
2. Drink large amounts of water or milk, but do not exceed 2 L (2 quarts).
3. Get medical attention immediately.



DX_POISON -19-21APR93

TSS203 -UN-23AUG88

<https://www.ebooklibonline.com>

Hello dear friend!

Thank you very much for reading.

Enter the link into your browser.

The full manual is available for immediate download.

<https://www.ebooklibonline.com>