

4890
Self-Propelled
Windrower

John Deere Ottumwa Works
OME93355 L7

LITHO IN U.S.A.
ENGLISH

Contents

	Page		Page
Safety	05-1	Emergency Exit	15-25
Break-In		Cup Holder	15-25
Machine Break-In	10-1	Personal-Posture™ Air Suspension Seat	15-26
After One Hour of Operation	10-3	Adjusting Left-Hand Armrest and Seat Back ...	15-28
After 50 Hours of Operation	10-4	Seat Belts	15-28
After 100 Hours of Operation	10-4	Fire Extinguisher Recommendations	15-29
Operator's Station		Lights and Signals	
Instruments and Controls	15-1	Lights and Signals	20-1
Overhead Instruments and Controls	15-2	Cab Interior Lights	20-1
Control and Switch Colors	15-2	Light Control Switch	20-2
Armrest Control Panel	15-3	Field Work Lights	20-3
Platform Function Controls	15-4	Turn Signal Lights	20-4
Hydrostatic Drive Control Lever	15-5	Hazard Lights	20-5
Platform Drive Engage Switch	15-5	Transporting and Daytime Running Lights	20-6
Platform Drive Reversing Switch	15-6	Auxiliary Lights Connector	20-7
Platform Float Pressure Adjust	15-6	Prestarting Checks	
Engine Speed Adjust	15-7	Daily Prestarting Checks	25-1
Field / Road Switch	15-7	Operating the Engine	
Corner Post Monitors	15-8	Checking Warning Lights	30-1
Warning Display Panel	15-9	Engine Warm-Up Period	30-2
Fuel Gauge	15-10	Starting the Engine	30-2
Engine Coolant Temperature Gauge	15-10	After Engine Starts	30-4
Dual Digital Display	15-11	Stopping the Engine	30-5
Operating The Dual Digital Display	15-12	Battery	30-6
Heater and Air Conditioner Controls	15-13	Starting Fluid	30-6
Air Louver Adjustment	15-14	Hot Weather Operation	30-7
Windshield Wiper Switch	15-14	Transporting the Windrower	
Light Control Switch	15-15	Transporting Windrower	35-1
Cab Interior Lights	15-15	Driving the Windrower	35-2
Deere-Delco AM/FM Stereo Radio With		Towing the Windrower	35-8
Cassette And Weatherband	15-17	Detaching and Attaching the Platform	
Weatherband	15-19	Detaching the Platform	40-1
Start Switch	15-20	Attaching the Platform	40-8
Horn	15-21	Balancing The Platform	40-9
Turn Signals	15-21		
Steering Wheel Height Adjust	15-22		
Steering Column Tilt Adjust	15-22		
Storage Tray / Cab Air Filter	15-23		
Manual Storage	15-23		
Cab Storage Box	15-24		
Cab Door Lock	15-24		

Continued on next page

All information, illustrations and specifications in this manual are based on the latest information available at the time of publication. The right is reserved to make changes at any time without notice.

COPYRIGHT © 1997
DEERE & COMPANY
Moline, Illinois
All rights reserved
A John Deere ILLUSTRATION® Manual

Contents

	Page		Page
Operating the Windrower			
Preparing for the Field	45-1	Every 200 Hours	60-9
Raising and Lowering the Platform	45-3	Every 250 Hours	60-10
Adjusting Caster Wheel Width	45-4	Every 400 Hours or Each Season	60-11
Adjusting Swath Flaps	45-5	Every 600 Hours or Each Season	60-12
Adjusting Platform Float	45-8	Every 800 Hours or Each Season	60-13
Adjusting Platform Guard Angle	45-10	Each Season	60-14
Engaging the Platform Drive	45-11	Every 2000 Hours	60-15
Reversing the Platform	45-12	Every 2000 Hours or Every Other Season	60-16
Parking the Windrower	45-13		
Adding Ballast to the Windrower	45-14	Engine	
Pulling Windrower Out Of The Mud	45-16	Engine Compartment Door	65-1
		Tool Storage	65-1
Attachments (Optional)		Drive Belt Shield	65-2
Optional Tool Storage	50-1	Cleaning Engine Compartment	65-2
Optional Upper and Lower Field Work Lights	50-2	Fuel Tank, Cap and Breather	65-3
Full View® Wiper (Optional)	50-2	Shutting Off Fuel Supply	65-4
		Draining Fuel Tank	65-4
Fuels—Coolants—Lubricants		Do Not Modify Fuel System	65-5
Diesel Fuel	55-1	Fuel Transfer Pump	65-5
Lubricity of Diesel Fuels	55-2	Draining Water from Fuel Filter	65-6
Fill Fuel Tank	55-3	Bleeding Fuel Filter	65-7
Diesel Fuel Storage	55-4	Changing Fuel Filter	65-8
Diesel Engine Coolant	55-5	Bleeding Fuel Pump	65-9
Supplemental Coolant Additives	55-6	Bleeding Fuel Lines to Injectors	65-10
Additional Information about Diesel		Checking and Adjusting Engine Speed	65-11
Engine Coolants and Supplemental Coolant		Checking Fuel Injection Nozzles	65-12
Additives	55-7	Checking Oil Level and Adding Oil	65-12
Operating in Warm Temperature Climates	55-8	Changing Engine Oil	65-13
Testing Diesel Engine Coolant	55-9	Changing Oil Filter	65-14
Diesel Engine Oil	55-10	Cleaning Air Precleaner	65-15
Oil Filters	55-11	Removing Air Filters	65-15
Engine Break-In Oil	55-11	Clean And Inspect Primary Element	65-17
Hydrostatic Drive System and Main		Filling Radiator	65-18
Hydraulic System	55-12	Winterizing Cooling System	65-19
Final Drives Lubrication	55-12	Flushing Cooling System	65-19
Mixing of Lubricants	55-13	Cleaning Screen, Oil Cooler, Condenser	
Greases	55-13	and Radiator	65-23
Capacities	55-14	Checking Engine Valve Clearance	65-24
Lubricant Storage	55-14	Removing and Installing Serpentine Belt	65-25
Alternative and Synthetic Lubricants	55-15		
Filter Replacement Numbers	55-15	Electrical System	
		Observe Electrical Precautions	70-1
Lubrication and Maintenance		Fuse and Circuit Breaker Label	70-2
Perform Lubrication and Maintenance	60-1	Electrical Component Identification and	
Observe Lubrication Symbols	60-1	Location	70-4
Service Interval Display	60-2	Circuit Breakers and Relays	70-10
Periodic Maintenance Label	60-3	Fuse And Relay Panel (Power Center)	70-11
Periodic Lubrication Label	60-4	Electrical Connector Handling	70-12
As Required	60-5	Starter Relay	70-13
Every 10 Hours	60-6	Starter	70-13
Every 50 Hours	60-7	Battery	70-14
Every 100 Hours	60-8		

Continued on next page

<https://www.ebooklibonline.com>

Hello dear friend!

Thank you very much for reading.

Enter the link into your browser.

The full manual is available for immediate download.

<https://www.ebooklibonline.com>

Contents

	Page		Page
Power Source	70-14	Cleaning Fresh Air and Recirculating Filters	85-2
Checking and Servicing the Alternator	70-15	Removing Fresh Air Filter and Tray	85-3
Replacing Bulbs	70-16	Removing Pre-Cleaner	85-3
Dome and Console Light Bulb Replacement	70-16	Removing Recirculating Filter	85-4
Gauge Light Bulb Replacement	70-17	Removing Evaporator Filter	85-4
Warning Light Bulb Replacement	70-18	Cleaning Air Intake Panel	85-5
Turn Signal Indicator Bulb Replacement	70-19	Cleaning Condenser	85-6
Rear Turn Signal, Tail Light, Warning (Flasher) Light and Side Light Bulb Replacement	70-20	Checking Compressor and Drive Belt	85-6
Cab Head Light Bulb Replacement and Adjustment	70-21	Checking Refrigerant Level	85-7
Flood Light Bulb Replacement (Rear and Optional Side)	70-21	High Pressure Switch	85-7
Preventing Battery Explosions	70-22	Low Pressure Switch	85-8
Preventing Acid Burns	70-23		
Prevent Damage to Electrical Systems	70-24	Service—Miscellaneous	
Checking Specific Gravity	70-25	Adjusting Platform Pump Drive Belt	90-1
Connecting Battery Cables	70-26	Replacing Platform Pump Drive Belt	90-2
Charging Batteries	70-27		
Connecting Booster Batteries	70-27	Troubleshooting	
Battery Replacement	70-28	Engine	95-1
		Air Conditioning	95-6
Hydraulic System		Heater	95-10
Hydraulic System (General Information)	75-1	Drive System	95-11
Hydraulic System Cleanliness	75-2	Lift and Float System	95-14
Hydraulic Accumulator—Float System	75-2	Electrical	95-16
Hydraulic Valve Function and Location Label	75-3	Power Screen Cleaner	95-18
Platform Drive, Lift and Float	75-6	Steering and Ground Speed Controls	95-19
Ground Drive System	75-10	Throttle	95-20
Hydraulic Component Identification and Function	75-14	Tires	95-20
Releasing Accumulator—Float Pressure	75-16	Brakes	95-20
Checking Hydraulic Oil Level	75-16	Seat	95-21
Adding Hydraulic Oil	75-17	Digital Display and Speed Monitoring System	95-21
Changing Hydraulic Oil Filters	75-18	Radio	95-22
Draining Hydraulic Reservoir	75-19		
		Storage	
Wheels—Steering—Brakes—Rear Axle		End of Season	100-1
Service Tires Safely	80-1	Beginning of Season	100-2
Tire Inflation	80-1		
Checking Wheels	80-2	Assembly	
Steering and Hydrostatic Controls and Linkage	80-3	Assemble Windrower	105-1
Adjusting Steering and Hydrostatic Linkage	80-5		
Parking Brakes	80-7	Specifications	
Adjusting Caster Wheel Width	80-8	Inch Bolt and Cap Screw	110-1
		Metric Bolt and Cap Screw	110-3
Air Conditioning and Heating System		Tightening O-Ring Fittings	110-4
Air Conditioning / Heating System (General Information)	85-1	Tightening Flare Type Tube Fittings	110-5
Observe Air Conditioning / Heating Precautions	85-2	Tightening Flat Face O-Ring Seal Fittings	110-5
		Engine	110-6
		Hydrostatic Drive System	110-7
		Hydraulic Platform Drive	110-7
		Capacities:	110-8
		Operator's Cab	110-9

Continued on next page

Contents

	Page
Electrical—Circuit Breakers and Relays	110-10
Electrical—Starter Relay	110-11
Electrical—Fuses	110-12
Tire Size and Pressures	110-13
Weight:	110-13
Windrower Ballast	110-13
Dimensions	110-14
 Serial Numbers	
Serial Number Plate	115-1
Windrower Serial Number	115-1
Engine Serial Number	115-2
Platform Serial Number	115-2
 Crime Prevention Tips	
Help Prevent Crime	120-1
Record Identification Numbers	120-1
Keep Proof of Ownership	120-2
Park Indoors Out of Sight	120-2
When Parking Outdoors	120-3
Reduce Vandalism	120-3
Report Thefts Immediately	120-4
 John Deere Service Literature Available	
Parts Catalog	SLIT-1
Operator's Manual	SLIT-1
Technical and Service Manuals	SLIT-2
 John Deere Service Keeps You On The Job	
John Deere Is At Your Service When You Need It	IBC-1

Safety

RECOGNIZE SAFETY INFORMATION

This is the safety-alert symbol. When you see this symbol on your machine or in this manual, be alert to the potential for personal injury.

Follow recommended precautions and safe operating practices.



Safety Information

T81389 -JUN-07DEC88

DX.ALERT -19-03MAR93-1/1

UNDERSTAND SIGNAL WORDS

A signal word—DANGER, WARNING, or CAUTION—is used with the safety-alert symbol. DANGER identifies the most serious hazards.

DANGER or WARNING safety signs are located near specific hazards. General precautions are listed on CAUTION safety signs. CAUTION also calls attention to safety messages in this manual.



▲ WARNING

▲ CAUTION

Signal Words

TS187 -19-30SEP88

DX.SIGNAL -19-03MAR93-1/1

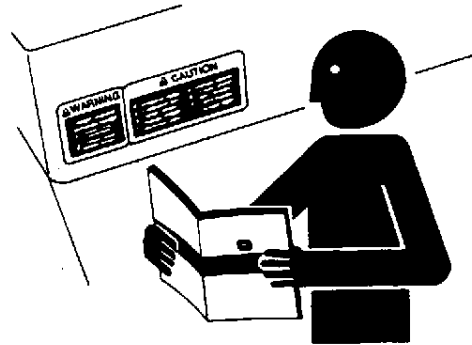
FOLLOW SAFETY INSTRUCTIONS

Carefully read all safety messages in this manual and on your machine safety signs. Keep safety signs in good condition. Replace missing or damaged safety signs. Be sure new equipment components and repair parts include the current safety signs. Replacement safety signs are available from your John Deere dealer.

Learn how to operate the machine and how to use controls properly. Do not let anyone operate without instruction.

Keep your machine in proper working condition. Unauthorized modifications to the machine may impair the function and/or safety and affect machine life.

If you do not understand any part of this manual and need assistance, contact your John Deere dealer.



Safety Instructions

TS201 -JUN-23AUG88

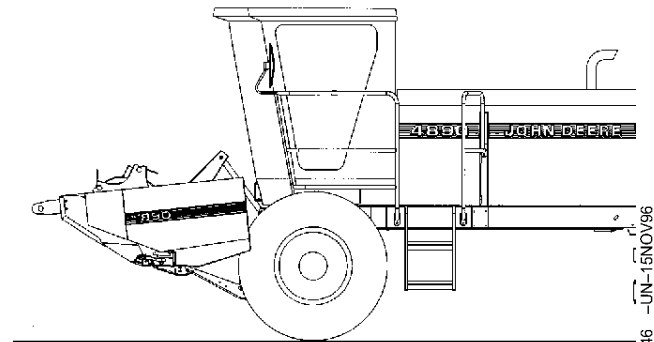
DX,READ -19-03MAR93-1/1

TRANSPORT WINDROWER WITH PLATFORM ATTACHED

For proper ballast and steering control, always drive the windrower with the platform attached.

Raise the platform and engage platform lift lockout lever before transporting windrower.

Before moving the windrower, check surrounding area by machine for bystanders or obstructions. Use the horn as a warning immediately before driving away.



Windrower

E41746 -JUN-15NOV96

OME,4890,05,F -19-05FEB97-1/1

USE SEAT BELTS

Use the seat belt whenever you operate the windrower or ride as an observer.



H47137

Seat Belts

H47137 -UN-25OCT96

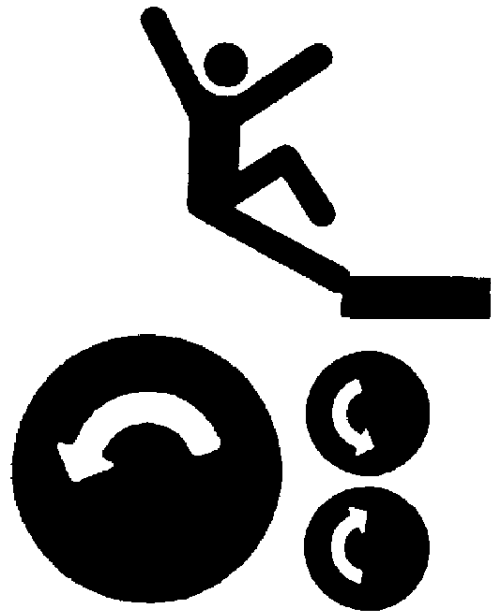
OME.4890.05.B -19-05FEB97-1/1

KEEP RIDERS OFF MACHINE

Keep riders off the machine.

Riders are subject to injury from being thrown off the machine into the platform or under the wheels.

Anyone riding must be in the observer's seat with seat belt fastened.



Riders

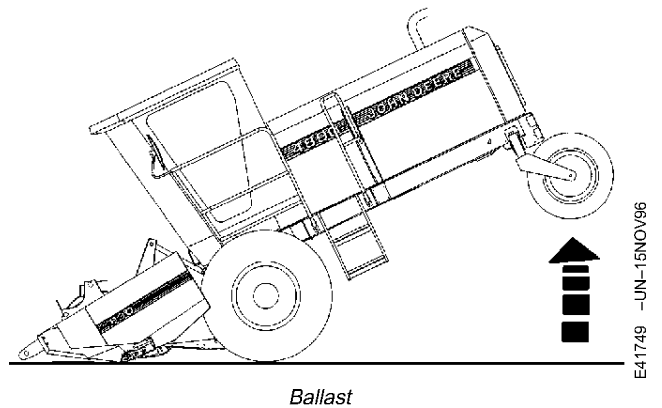
E41748 -UN-15NOV96

OME.4890.05.C -19-05FEB97-1/1

BALLAST FOR SAFE GROUND CONTACT

Operating, steering and braking performance of windrower can be considerably affected by the size of the platform used which alters the center of gravity of the windrower.

To maintain the proper ground contact, add ballast to the rear of the windrower as recommended for the platform in use.



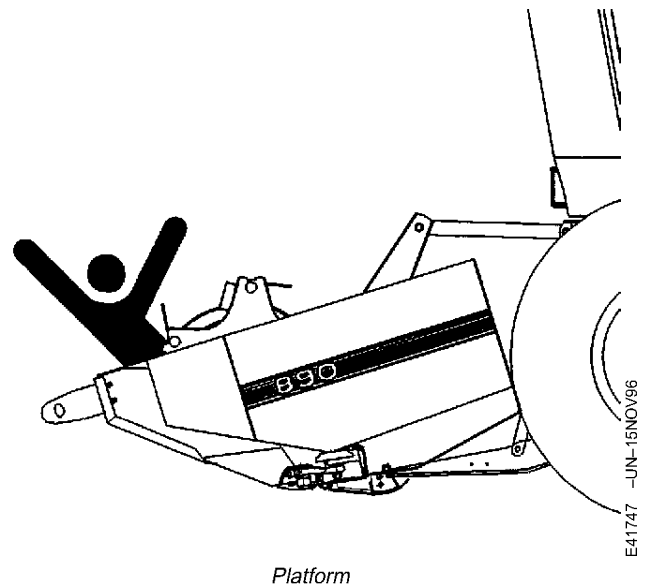
OME,4890,05,D -19-05FEB97-1/1

STAY CLEAR OF PLATFORM

Many moving parts such as the platform reel, cutterbar, conditioner rolls and augers cannot be completely shielded due to their function.

Stay clear of these moving parts during operation!

Always disengage platform drive, shut off the engine and remove the keys before servicing or unplugging the platform.



OME,4890,05,E -19-05FEB97-1/1

STAY CLEAR OF ROTATING DRIVELINE

Entanglement in a rotating driveline can cause serious injury or death.

Keep shields covering the conditioner and engine drivelines in place at all times.

Wear close fitting clothing. Stop the engine, remove the keys and be sure driveline has stopped before servicing or making any adjustments to the drivelines or in the general area of the drivelines.



Rotating Driveline

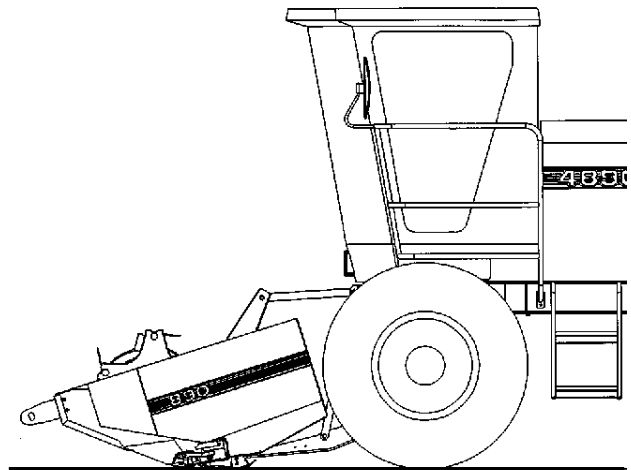
TS1644 -JUN-22AUG95

OME.4890.05.G -19-05FEB97-1/1

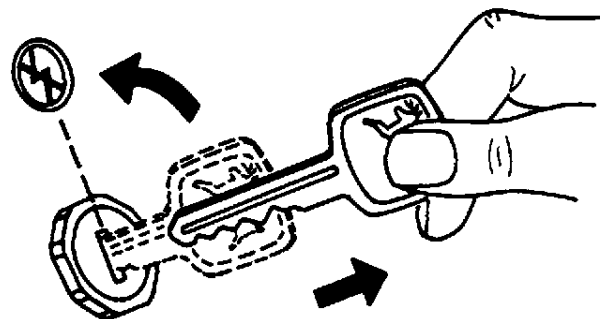
PARK WINDROWER SAFELY

Before leaving the operator's station:

- Put hydrostatic drive lever in neutral.
- Disengage platform drive.
- Lower the platform to the ground.
- Turn off engine and remove keys.
- Check to see steering wheel is locked.
- Lock cab door.



E41745 -JUN-15NOV96



Park

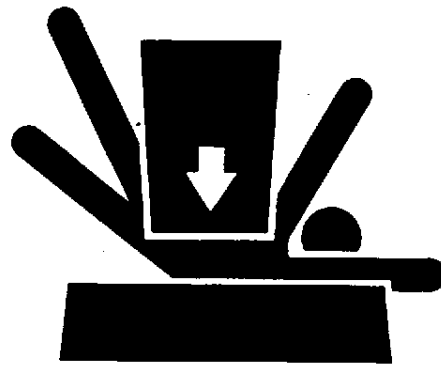
E25432 -JUN-08MAY89

OME.4890.05.A -19-05FEB97-1/1

SUPPORT MACHINE PROPERLY

Always lower the attachment or implement to the ground before you work on the machine. If you must work on a lifted machine or attachment, securely support the machine or attachment.

Do not support the machine on cinder blocks, hollow tiles, or props that may crumble under continuous load. Do not work under a machine that is supported solely by a jack. Follow recommended procedures in this manual.



Support

TS229 -UN-23AUG88

DX,LOWER -19-04JUN90-1/1

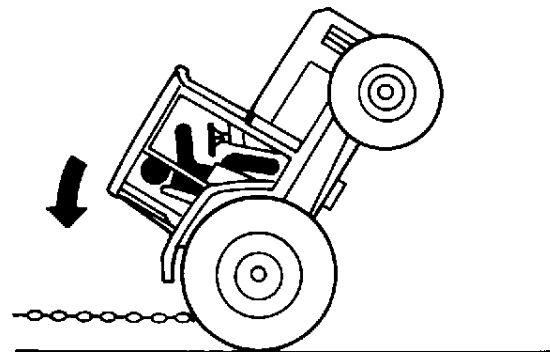
FREEING A MIRED MACHINE

Attempting to free a mired machine can involve safety hazards such as the mired tractor tipping rearward, the towing tractor overturning, and the tow chain or cable failing and recoiling from its stretched condition.

Back your tractor out if it gets mired down in mud. Unhitch any towed implements. Dig mud from behind the rear wheels. Place boards behind the wheels to provide a solid base and try to back out slowly. If necessary, dig mud from the front of all wheels and drive slowly ahead.

If necessary to tow with another unit, use a long chain or cable. Inspect the chain or cable for flaws. Make sure all parts of towing devices are of adequate size and strong enough to handle the load.

Always hitch to the drawbar of the towing unit. Before moving, clear the area of people. Apply power smoothly to take up the slack: a sudden pull could snap any towing device causing it to whip or recoil dangerously.



Mired Machine

TS1645 -UN-15SEP95



Mired Machine

TS263 -UN-23AUG88

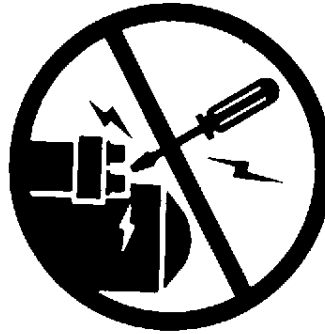
DX,MIRED -19-02OCT95-1/1

PREVENT MACHINE RUNAWAY

Avoid possible injury or death from machinery runaway.

Do not start engine by shorting across starter terminals. Machine will start in gear if normal circuitry is bypassed.

NEVER start engine while standing on ground. Start engine only from operator's seat, with transmission in neutral or park.



Runaway

TS177 -JUN-11JAN89

DX,BYPAS1 -19-03MAR93-1/1

USE PROPER TOOLS

Use tools appropriate to the work. Makeshift tools and procedures can create safety hazards.

Use power tools only to loosen threaded parts and fasteners.

For loosening and tightening hardware, use the correct size tools. DO NOT use U.S. measurement tools on metric fasteners. Avoid bodily injury caused by slipping wrenches.

Use only service parts meeting John Deere specifications.



Tools

TS779 -JUN-08NOV/89

DX,REPAIR -19-04JUN90-1/1

PREVENT BATTERY EXPLOSIONS

Keep sparks, lighted matches, and open flame away from the top of battery. Battery gas can explode.

Never check battery charge by placing a metal object across the posts. Use a voltmeter or hydrometer.

Do not charge a frozen battery; it may explode. Warm battery to 16° C (60° F).



Battery

TS204 -JUN-23AUG88

DX,SPARKS -19-03MAR93-1/1

HANDLE FUEL SAFELY—AVOID FIRES

Handle fuel with care: it is highly flammable. Do not refuel the machine while smoking or when near open flame or sparks.

Always stop engine before refueling machine. Fill fuel tank outdoors.

Prevent fires by keeping machine clean of accumulated trash, grease, and debris. Always clean up spilled fuel.



Fuel

TS202 -JUN-23AUG88

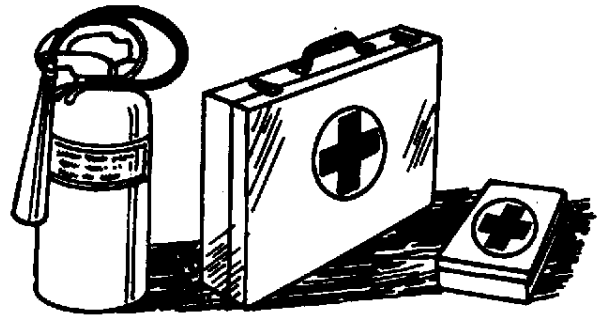
DX,FIRE1 -19-03MAR93-1/1

PREPARE FOR EMERGENCIES

Be prepared if a fire starts.

Keep a first aid kit and fire extinguisher handy.

Keep emergency numbers for doctors, ambulance service, hospital, and fire department near your telephone.



Prepare

TS291 -UN-23AUG88

DX,FIRE2 -19-03MAR93-1/1

HANDLE STARTING FLUID SAFELY

Starting fluid is highly flammable.

Keep all sparks and flame away when using it. Keep starting fluid away from batteries and cables.

To prevent accidental discharge when storing the pressurized can, keep the cap on the container, and store in a cool, protected location.

Do not incinerate or puncture a starting fluid container.



Starting Fluid

TS1356 -UN-18MAR92

DX,FIRE3 -19-16APR92-1/1

PREVENT ACID BURNS

Sulfuric acid in battery electrolyte is poisonous. It is strong enough to burn skin, eat holes in clothing, and cause blindness if splashed into eyes.

Avoid the hazard by:

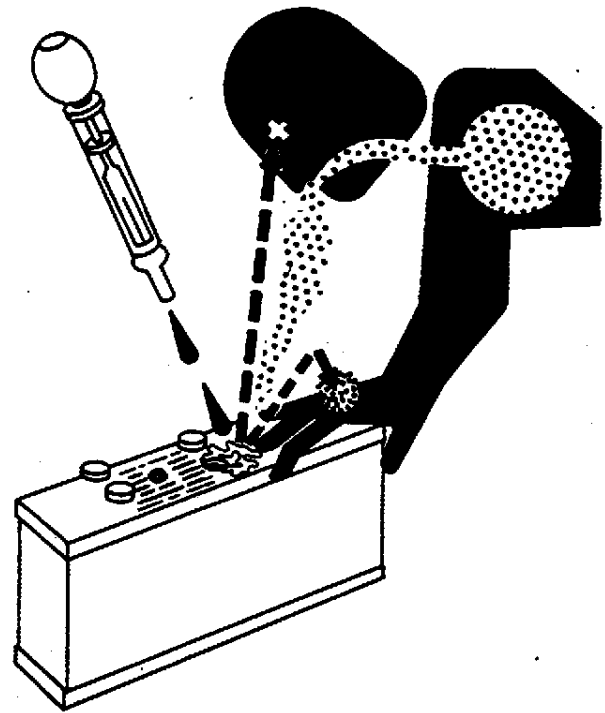
1. Filling batteries in a well-ventilated area.
2. Wearing eye protection and rubber gloves.
3. Avoiding breathing fumes when electrolyte is added.
4. Avoiding spilling or dripping electrolyte.
5. Use proper jump start procedure.

If you spill acid on yourself:

1. Flush your skin with water.
2. Apply baking soda or lime to help neutralize the acid.
3. Flush your eyes with water for 15—30 minutes. Get medical attention immediately.

If acid is swallowed:

1. Do not induce vomiting.
2. Drink large amounts of water or milk, but do not exceed 2 L (2 quarts).
3. Get medical attention immediately.



Acid

TS203 -UN-23AUG88

DX,POISON -19-21APR93-1/1

SERVICE TIRES SAFELY

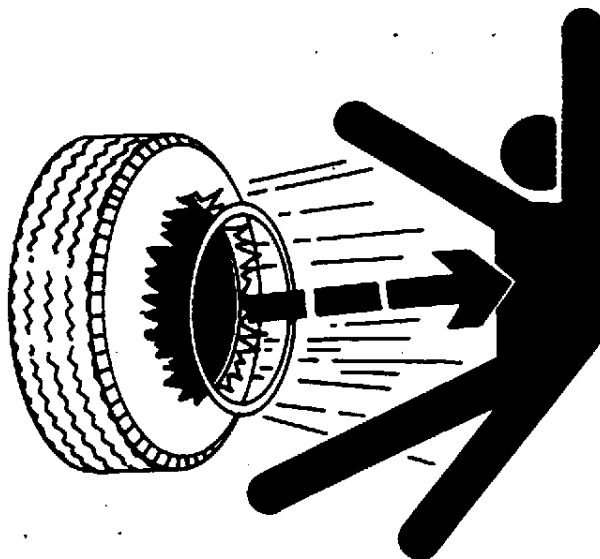
Explosive separation of a tire and rim parts can cause serious injury or death.

Do not attempt to mount a tire unless you have the proper equipment and experience to perform the job.

Always maintain the correct tire pressure. Do not inflate the tires above the recommended pressure. Never weld or heat a wheel and tire assembly. The heat can cause an increase in air pressure resulting in a tire explosion. Welding can structurally weaken or deform the wheel.

When inflating tires, use a clip-on chuck and extension hose long enough to allow you to stand to one side and NOT in front of or over the tire assembly. Use a safety cage if available.

Check wheels for low pressure, cuts, bubbles, damaged rims or missing lug bolts and nuts.



Tires

TS211 -JUN-23AUG88

DX,RIM -19-24AUG90-1/1

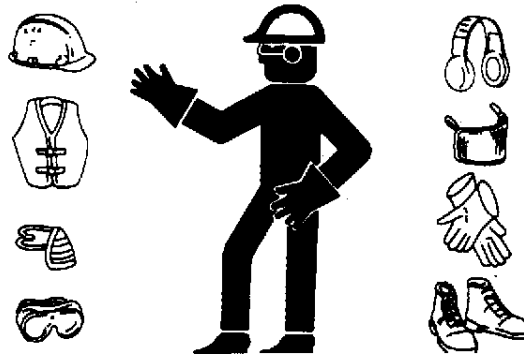
WEAR PROTECTIVE CLOTHING

Wear close fitting clothing and safety equipment appropriate to the job.

Prolonged exposure to loud noise can cause impairment or loss of hearing.

Wear a suitable hearing protective device such as earmuffs or earplugs to protect against objectionable or uncomfortable loud noises.

Operating equipment safely requires the full attention of the operator. Do not wear radio or music headphones while operating machine.



Clothing

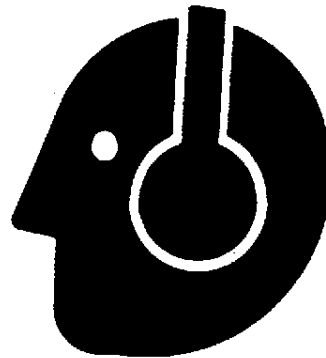
TS206 -JUN-23AUG88

DX,WEAR -19-10SEP90-1/1

PROTECT AGAINST NOISE

Prolonged exposure to loud noise can cause impairment or loss of hearing.

Wear a suitable hearing protective device such as earmuffs or earplugs to protect against objectionable or uncomfortable loud noises.



Noise

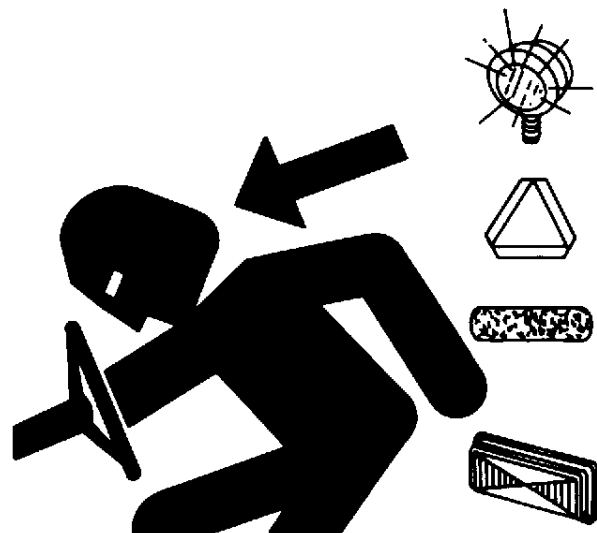
TS207 -JUN-23AUG88

DX.NOISE -19-03MAR93-1/1

USE SAFETY LIGHTS AND DEVICES

Prevent collisions between other road users, slow moving tractors with attachments or towed equipment, and self-propelled machines on public roads. Frequently check for traffic from the rear, especially in turns, and use hand signals or turn signal lights.

Use headlights, flashing warning lights, and turn signals day and night. Follow local regulations for equipment lighting and marking. Keep lighting and marking visible and in good working order. Replace or repair lighting and marking that has been damaged or lost. An implement safety lighting kit is available from your John Deere dealer.



Lights

TS951 -JUN-12APR90

DX.FLASH -19-12SEP95-1/1

SERVICE COOLING SYSTEM SAFELY

Explosive release of fluids from pressurized cooling system can cause serious burns.

Shut off engine. Only remove filler cap when cool enough to touch with bare hands. Slowly loosen cap to first stop to relieve pressure before removing completely.



Cooling System

TS281 -JUN-23AUG88

DX.RCAP -19-04JUN90-1/1

PRACTICE SAFE MAINTENANCE

Understand service procedure before doing work. Keep area clean and dry.

Never lubricate, service, or adjust machine while it is moving. Keep hands, feet, and clothing from power-driven parts. Disengage all power and operate controls to relieve pressure. Lower equipment to the ground. Stop the engine. Remove the key. Allow machine to cool.

Securely support any machine elements that must be raised for service work.

Keep all parts in good condition and properly installed. Fix damage immediately. Replace worn or broken parts. Remove any buildup of grease, oil, or debris.

Disconnect battery ground cable (-) before making adjustments on electrical systems or welding on machine.



Maintenance

TS218 -JUN-23AUG88

DX.SERV -19-03MAR93-1/1

REMOVE PAINT BEFORE WELDING OR HEATING

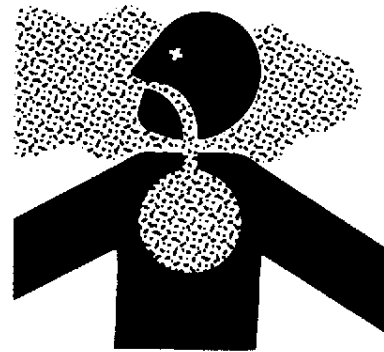
Avoid potentially toxic fumes and dust.

Hazardous fumes can be generated when paint is heated by welding, soldering, or using a torch.

Do all work outside or in a well ventilated area. Dispose of paint and solvent properly.

Remove paint before welding or heating:

- If you sand or grind paint, avoid breathing the dust. Wear an approved respirator.
- If you use solvent or paint stripper, remove stripper with soap and water before welding. Remove solvent or paint stripper containers and other flammable material from area. Allow fumes to disperse at least 15 minutes before welding or heating.



Welding or Heating

TS220 -JUN-23AUG88

DX,PAINT -19-03MAR93-1/1

AVOID HEATING NEAR PRESSURIZED FLUID LINES

Flammable spray can be generated by heating near pressurized fluid lines, resulting in severe burns to yourself and bystanders. Do not heat by welding, soldering, or using a torch near pressurized fluid lines or other flammable materials. Pressurized lines can be accidentally cut when heat goes beyond the immediate flame area.



Fluid Lines

TS953 -JUN-15MAY90

DX,TORCH -19-03MAR93-1/1

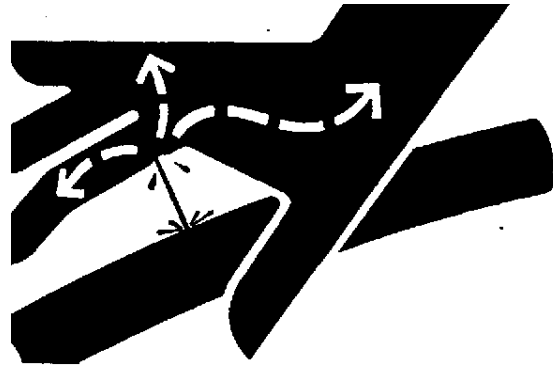
AVOID HIGH-PRESSURE FLUIDS

Escaping fluid under pressure can penetrate the skin causing serious injury.

Avoid the hazard by relieving pressure before disconnecting hydraulic or other lines. Tighten all connections before applying pressure.

Search for leaks with a piece of cardboard. Protect hands and body from high pressure fluids.

If an accident occurs, see a doctor immediately. Any fluid injected into the skin must be surgically removed within a few hours or gangrene may result. Doctors unfamiliar with this type of injury should reference a knowledgeable medical source. Such information is available from Deere & Company Medical Department in Moline, Illinois, U.S.A.



Fluids

X9811 -UN-23AUG88

DX,FLUID -19-03MAR93-1/1

DISPOSE OF WASTE PROPERLY

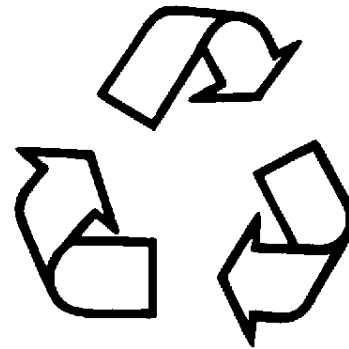
Improperly disposing of waste can threaten the environment and ecology. Potentially harmful waste used with John Deere equipment include such items as oil, fuel, coolant, brake fluid, filters, and batteries.

Use leakproof containers when draining fluids. Do not use food or beverage containers that may mislead someone into drinking from them.

Do not pour waste onto the ground, down a drain, or into any water source.

Air conditioning refrigerants escaping into the air can damage the Earth's atmosphere. Government regulations may require a certified air conditioning service center to recover and recycle used air conditioning refrigerants.

Inquire on the proper way to recycle or dispose of waste from your local environmental or recycling center, or from your John Deere dealer.



Waste

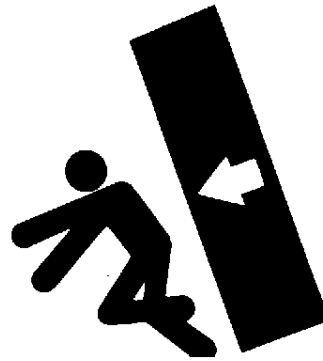
TS1133 -UN-26NOV90

DX,DRAIN -19-03MAR93-1/1

STORE ATTACHMENTS SAFELY

Stored attachments such as dual wheels, cage wheels, and loaders can fall and cause serious injury or death.

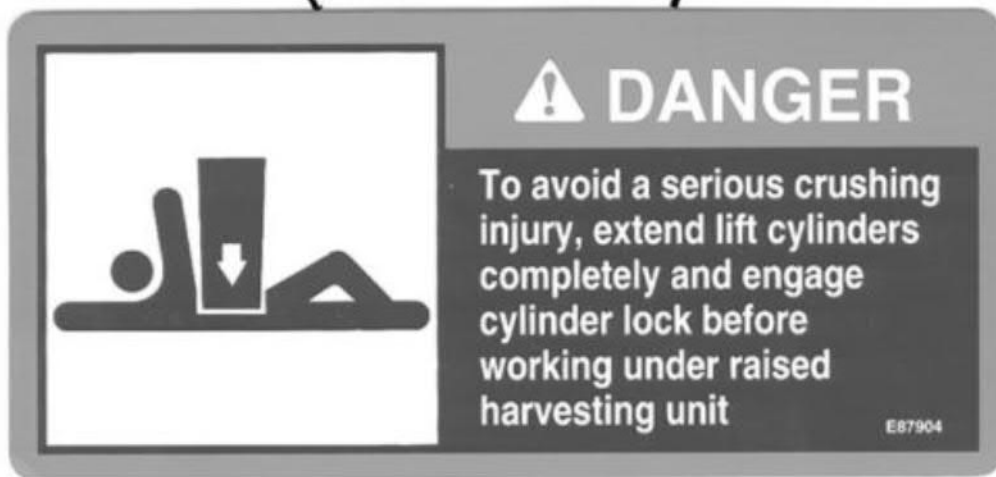
Securely store attachments and implements to prevent falling. Keep playing children and bystanders away from storage area.



Store

TS219 -UN-23AUG88

DX.STORE -19-03MAR93-1/10



Decal Location

E39839 -19-13NOV97

DX,STORE -19-03MAR93-2/10



! WARNING

1. Machine will move sideways if steering wheel is turned while engine is running, even though ground speed control lever is in neutral. Be sure everyone is clear of machine before turning wheel.
2. Steering is opposite to normal when backing up. (Turn bottom of steering wheel in direction you want to go.)

E87906

! CAUTION

1. Keep all shields in place.
2. Disengage and shut off all engine and/or motor power before servicing or unclogging machine.
3. Keep hands, feet and clothing away from power-driven parts.

E82510

Decal Location

DX,STORE -19-03MAR93-3/10

E39838 -19-13NOV97



Decal Location

DX,STORE -19-03MAR93-4/10

E40502 -19-13NOV97



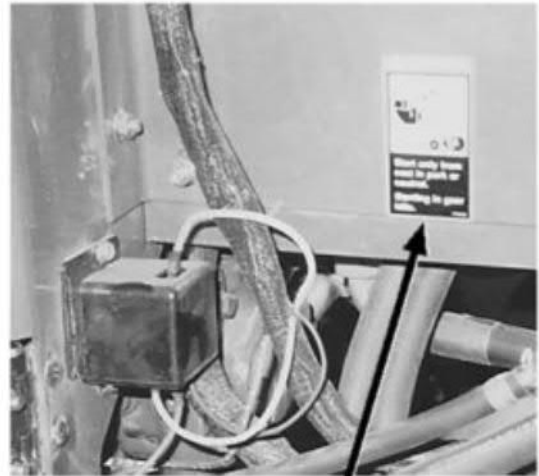
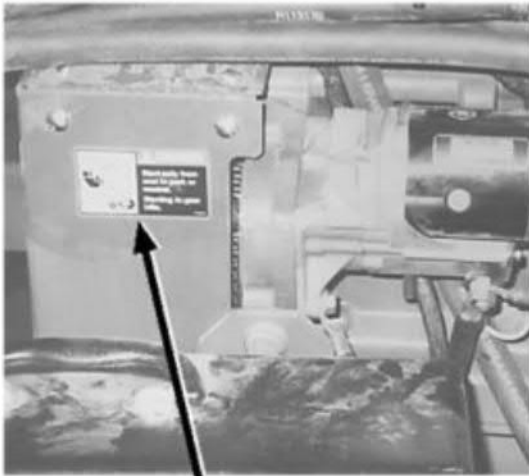
Suggest:

For more complete manuals. Please go to the home page.

<https://www.ebooklibonline.com>

If the above button click is invalid. Please download this document first, and then click the above link to download the complete manual.

Thank you so much for reading



Decal Location

E39840 -19-15OCT97

DX,STORE -19-03MAR93-5/10

Safety



Decal Location

DX,STORE -19-03MAR93-6/10

E39841 -19-13NOV97

<https://www.ebooklibonline.com>

Hello dear friend!

Thank you very much for reading.

Enter the link into your browser.

The full manual is available for immediate download.

<https://www.ebooklibonline.com>