

**339, 349, 359  
and 459  
Balers**  
(From Serial No. 351101)

**John Deere Arc-lès-Gray  
OMCC42106 Issue C5**

**European Edition**  
Printed in Germany  
**ANGLAIS**

# General Information

## TO THE CUSTOMER

This supplementary operator's manual applies to 339, 349, 359 and 459 Balers from Serial Number 351101 meeting the EC provisions. It contains new and revised information not included in the basic operator's manual.

When operating 339, 349, 359 and 459 Balers from Serial Number 351101, always refer to the supplement first and then to the basic operator's manual for 339, 349, 359 and 459 Balers.

# Contents

	Page
<b>Safety Decals</b> . . . . .	10-1
<b>Attaching and Detaching</b>	
Storing hookup . . . . .	15-1
Storing hydraulic hoses . . . . .	15-1
<b>Preparing the Baler</b>	
Tongue positioning . . . . .	20-1
<b>Operating the Baler</b>	
Adjusting feeder fingers . . . . .	25-1
<b>Service</b>	
Timing the baler . . . . .	45-1
<b>Specifications and Serial Number</b>	
339 Baler . . . . .	55-1
349 Baler . . . . .	55-3
359 Baler . . . . .	55-5
459 Baler . . . . .	55-7
Serial number plate . . . . .	55-9
Plate description . . . . .	55-9
Product identification number . . . . .	55-9

**Index**

*All information, illustrations and specifications in this manual are based on the latest information available at the time of publication. The right is reserved to make changes at any time without notice.*

OMCC42106 C5-19-02MAR95

COPYRIGHT© 1994  
DEERE & COMPANY  
European Office Mannheim  
All rights reserved  
A John Deere ILLUSTRATION™ Manual

**<https://www.ebooklibonline.com>**

Hello dear friend!

Thank you very much for reading.

Enter the link into your browser.

The full manual is available for immediate download.

**<https://www.ebooklibonline.com>**

*Contents*

# Safety Decals

## PICTORIAL SAFETY SIGNS

At several important places of this machine safety signs are affixed intended to signify potential danger. The hazard is identified by a pictorial in a warning triangle. An adjacent pictorial provides information how to avoid personal injury. These safety signs, their placement on the machine and a brief explanatory text are shown below.

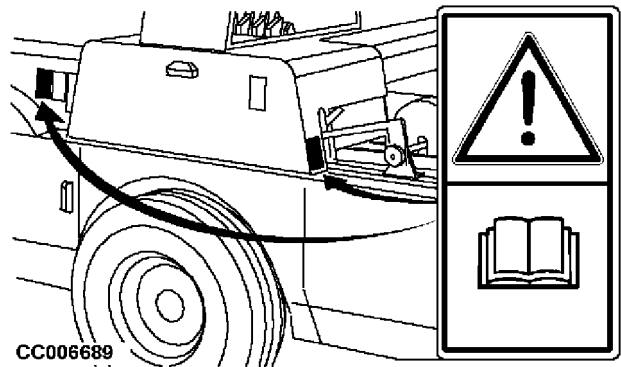


FX,WBZ -19-19NOV91

TS231 -19-07OCT88

## OPERATOR'S MANUAL

This operator's manual contains all important information necessary for safe machine operation. Carefully observe all safety rules to avoid accidents.



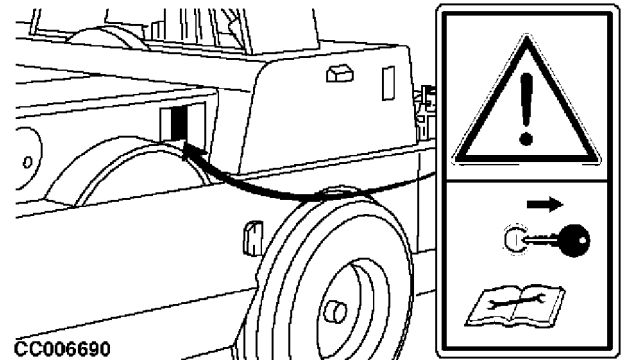
CC006689

CC.339SB 002511-19-13DEC94

CC006689 -UN-23FEB95

## REPAIR AND MAINTENANCE

Before carrying out repair and maintenance work, shut off tractor engine and remove key.



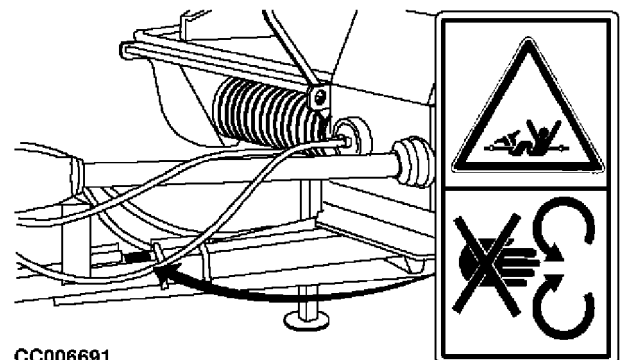
CC006690

CC.339SB 002512-19-13DEC94

CC006690 -UN-23FEB95

## BALER DRIVE LINE

Stay clear of rotating drive line to avoid personal injury.



CC006691

CC.339SB 002513-19-13DEC94

CC006691 -UN-23FEB95



**Suggest:**

**For more complete manuals. Please go to the home page.**

**<https://www.ebooklibonline.com>**

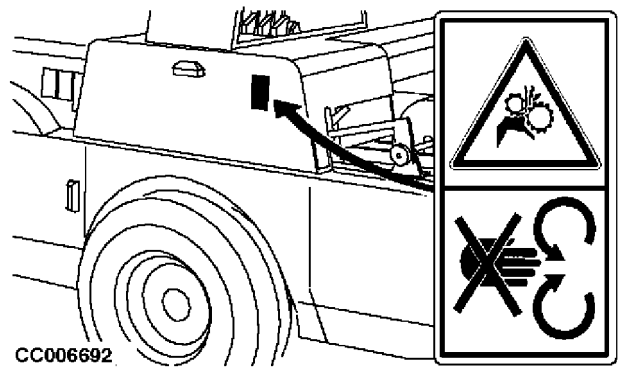
**If the above button click is invalid. Please download this document first, and then click the above link to download the complete manual.**

**Thank you so much for reading**

Safety Decals

**DRIVE GEARS**

Do not open or remove guard when the baler is running.



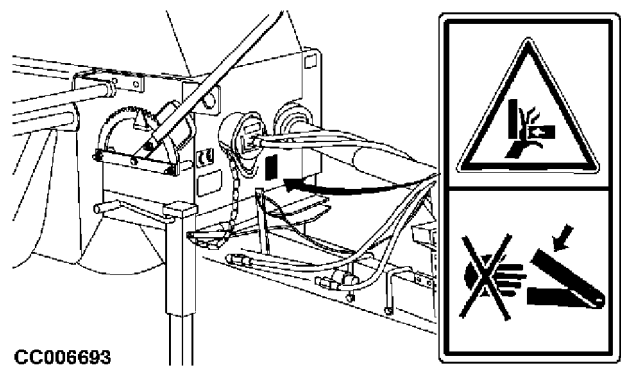
CC006692

CC.339SB 002514-19-13DEC94

CC006692 -UN-23FEB95

**TONGUE POSITIONING**

Stay clear of swinging tongue when positioning in work or transport position to avoid personal injury.



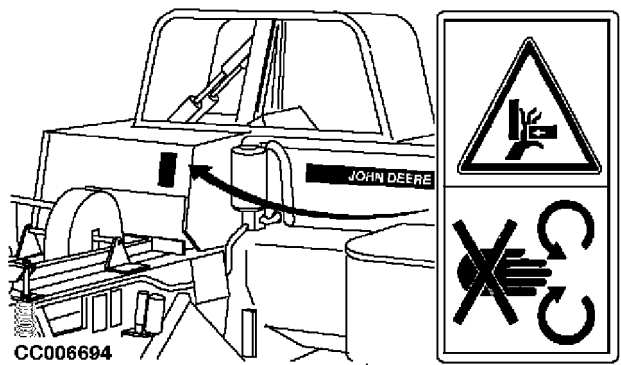
CC006693

CC.339SB 002515-19-13DEC94

CC006693 -UN-23FEB95

**KNOTTER MECHANISM**

Do not open or remove guard when the baler is running.



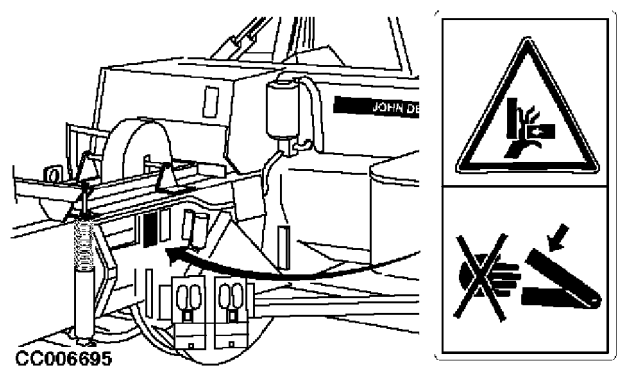
CC006694

CC.339SB 002416-19-13DEC94

CC006694 -UN-23FEB95

**NEEDLES**

Do not open or remove guard when the baler is running.



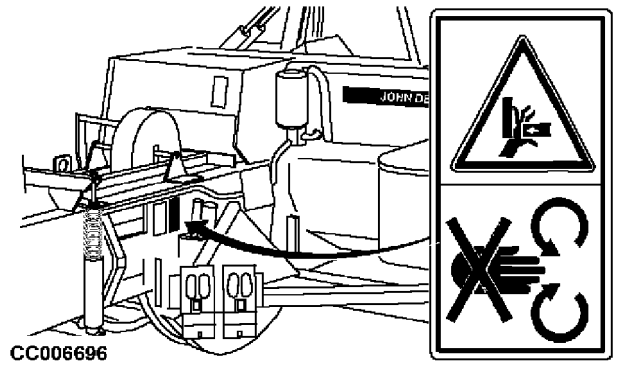
CC006695

CC.339SB 002517-19-13DEC94

CC006695 -UN-23FEB95

### NEEDLES TRIPPING

Stay clear of moving needles during tying cycle to avoid personal injury.

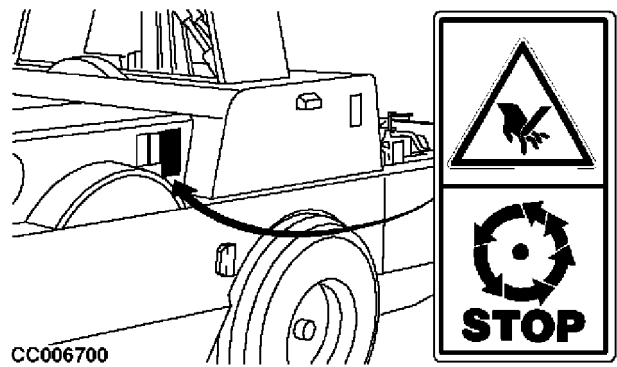


CC.339SB 002518-19-13DEC94

CC006696 -UN-23FEB95

### FLYWHEEL

Do not open or remove guard when the baler is running.



CC.339SB 002522-19-13DEC94

CC006700 -UN-23FEB95

**<https://www.ebooklibonline.com>**

Hello dear friend!

Thank you very much for reading.

Enter the link into your browser.

The full manual is available for immediate download.

**<https://www.ebooklibonline.com>**