

# John Deere 260 Flail Mower



## OPERATORS MANUAL

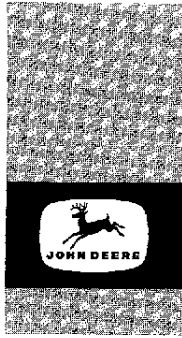
John Deere 260  
Flail Mower

OME16047 C1 English

**OME16047 C1**

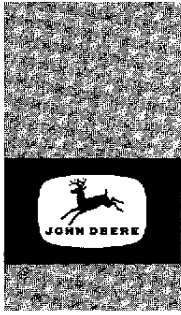
LITHO IN U.S.A.  
ENGLISH





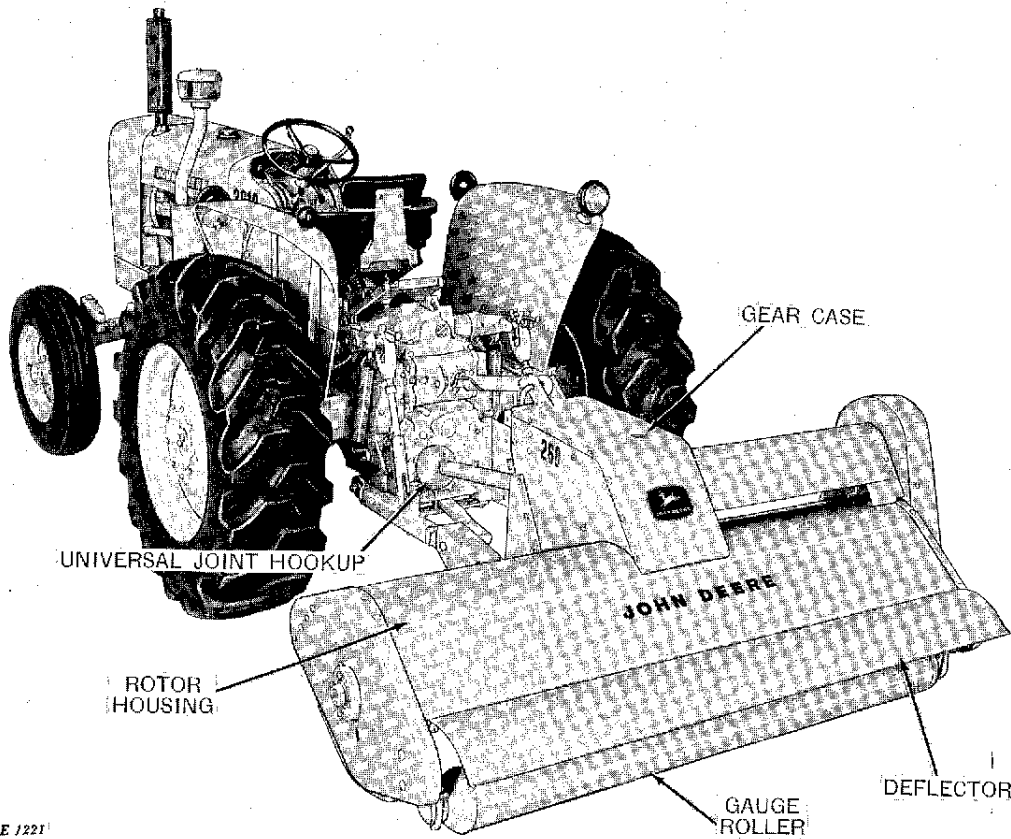
# contents

SPECIFICATIONS . . . . .	2-3
OPERATION . . . . .	4-6
Preparing tractor . . . . .	4
Attaching mower to tractor . . . . .	5
Transporting . . . . .	5
Before operation . . . . .	5
Field operation . . . . .	5-6
Detaching from tractor . . . . .	6
Safety precautions . . . . .	6
LUBRICATION . . . . .	7
SERVICE . . . . .	8-11
Rotor knives . . . . .	8-9
Gear case . . . . .	9
1000 rpm conversion . . . . .	9
Belt and pulleys . . . . .	10
Overrunning clutch . . . . .	10
Shielded tractor hookup . . . . .	11
PARTS LIST . . . . .	12-20



# specifications

- Cutting height . . . . . 1- to 4- In.
- Cutting width . . . . . 6 Ft.
- Gauging means . . . . . Full width roller
- Power take-off drive . . . . . 540 or 1000 rpm
- Size of tractor recommended . . . . . John Deere 1010 Industrial Tractor or larger
- Hitch dimension . . . . . Category 1 or 2
- Operating speed . . . . . 1 to 7 mph



E 1221

Rear view of 260 Flail Mower

**<https://www.ebooklibonline.com>**

Hello dear friend!

Thank you very much for reading.

Enter the link into your browser.

The full manual is available for immediate download.

**<https://www.ebooklibonline.com>**

**<https://www.ebooklibonline.com>**

Hello dear friend!

Thank you very much for reading.

Enter the link into your browser.

The full manual is available for immediate download.

**<https://www.ebooklibonline.com>**



**Suggest:**

**For more complete manuals. Please go to the home page.**

**<https://www.ebooklibonline.com>**

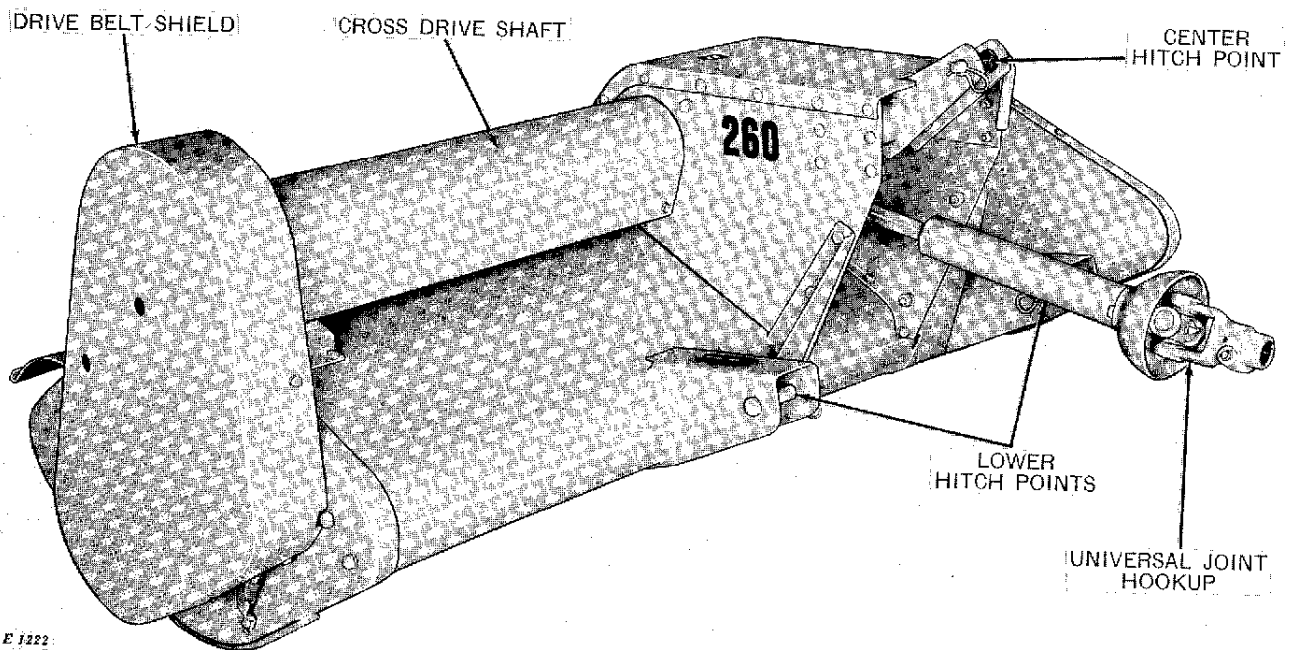
**If the above button click is invalid. Please download this document first, and then click the above link to download the complete manual.**

**Thank you so much for reading**

Bearings . . . . .	Anti-friction self-aligning
Number of knives . . . . .	50 (double-edged)
Rotor: Diameter . . . . .	18-5/8-In.
Speed (At standard PTO speed) . . . . .	1800 rpm
Height . . . . .	33-In.
Over-all width . . . . .	7 Ft.
Length . . . . .	46-In.
Weight . . . . .	Approx. 1120 Lbs.

*NOTE: Right- and left-hand sides referred to in this manual are determined from a position at the rear of the machine facing in the direction of travel.*

*(Specifications and design subject to change without notice.)*



E 1222

Front view of 260 Flail Mower