

PART NO. EM18N-1-2

**HITACHI**

# Operator's Manual

# **EX5500-6**

## **Hydraulic Excavator**

Serial No 001001 and up

# INDEX

**MACHINE NUMBERS**

**SAFETY**

**SAFETY SIGNS**

**COMPONENTS NAME**

**HANDLING STAIRWAY/EMERGENCY ESCAPE DEVICE**

**OPERATOR'S STATION**

**BREAK-IN**

**OPERATING ENGINE**

**DRIVING MACHINE**

**OPERATING MACHINE**

**MAINTENANCE**

**MAINTENANCE UNDER SPECIAL ENVIRONMENTAL CONDITIONS**

**STORAGE**

**TROUBLESHOOTING**

**SPECIFICATIONS**

**INDEX**

# CONTENTS

## MACHINE NUMBERS

### SAFETY

Recognize Safety Information .....	S-1
Understand Signal Words.....	S-1
Follow Safety Instructions.....	S-2
Prepare for Emergencies.....	S-2
Wear Protective Clothing.....	S-3
Protect Against Noise .....	S-3
Inspect Machine .....	S-3
General Precautions for Cab.....	S-4
Use Handholds and Steps .....	S-5
Adjust Operator's Seat.....	S-5
Ensure Safety Before Rising from or Leaving Operator's Seat .....	S-5
Fasten Your Seat Belt.....	S-6
Move and Operate Machine Safely.....	S-6
Handle Starting Aids Safely .....	S-6
Operate Only from Operator's Seat .....	S-7
Jump Starting.....	S-7
Keep Riders Off Machine .....	S-7
Precautions for Operations.....	S-8
Investigate Job Site Beforehand .....	S-9
Protect Against Falling Stones and Debris .....	S-10
Provide Signals for Jobs Involving Multiple Machines.....	S-10
Confirm Direction of Machine to be Driven .....	S-10
Drive Machine Safely.....	S-11
Avoid Injury from Rollaway Accidents.....	S-13
Avoid Injury from Back-Over and Swing Accidents .....	S-14
Keep Person Clear from Working Area.....	S-15
Never Position Bucket Over Anyone .....	S-15
Avoid Undercutting.....	S-15
Avoid Tipping.....	S-16
Never Undercut a High Bank.....	S-16
Dig with Caution.....	S-17
Operate with Caution .....	S-17
Avoid Power Lines.....	S-17
Precautions for Lightning .....	S-18
Object Handling .....	S-18
Protect Against Flying Debris .....	S-18
Park Machine Safely.....	S-19
Handle Fluids Safely – Avoid Fires .....	S-19
Practice Safe Maintenance.....	S-20
Warn Others of Service Work .....	S-21
Support Machine Properly.....	S-21
Stay Clear of Moving Parts .....	S-21
Prevent Parts from Flying .....	S-22
Store Attachments Safely .....	S-22
Prevent Burns.....	S-23
Replace Rubber Hoses Periodically.....	S-23
Avoid High-Pressure Fluids .....	S-24
Prevent Fires.....	S-25
Evacuating In Case of Fire.....	S-26
Beware of Exhaust Fumes.....	S-26
Precautions for Welding and Grinding .....	S-27

Avoid Heating Near Pressurized Fluid Lines .....	S-27
Avoid Applying Heat to Lines Containing Flammable Fluids.....	S-27
Remove Paint Before Welding or Heating .....	S-28
Beware of Asbestos Dust .....	S-28
Prevent Battery Explosions .....	S-29
Service Air Conditioning System Safely .....	S-29
Handle Chemical Products Safely.....	S-30
Dispose of Waste Properly.....	S-30

<b>SAFETY SIGNS.....</b>	<b>S-31</b>
--------------------------	-------------

<b>COMPONENTS NAME .....</b>	<b>1-1</b>
------------------------------	------------

### HANDLING STAIRWAY/EMERGENCY ESCAPE DEVICE

Using Stairway.....	1-2
Operating Stairway.....	1-2
Emergency Escape .....	1-5
Emergency Exit .....	1-6
Evacuating in Case of Fire.....	1-6

### OPERATOR'S STATION

Cab Features.....	1-8
Monitor Display.....	1-9
Starting Check Screen .....	1-9
Meter Check Screen.....	1-10
Tachometer .....	1-11
Coolant Temperature Gauge .....	1-11
Hydraulic Oil Temperature Gauge .....	1-11
Fuel Gauge .....	1-11
Engine Oil Pressure Gauge .....	1-12
Engine Oil Temperature Gauge.....	1-12
Hour Meter .....	1-12
Warning Indicators .....	1-12
Alternator Indicator.....	1-12
Pump Transmission Oil Level Indicator .....	1-13
Engine Stop Indicator.....	1-13
Engine Oil Pressure Indicator.....	1-13
Coolant Overheat Indicator.....	1-13
Coolant Level Indicator.....	1-14
Engine Over Run Indicator .....	1-14
Fuel Temperature Indicator .....	1-14
Hydraulic Oil Level Indicator.....	1-14
Stop Valve Indicator .....	1-15
Auto-Lubrication Indicator.....	1-15
Fast-Filling Indicator .....	1-16
Emergency Engine Stop Indicator .....	1-16
Tension Indicator .....	1-16
Electric Lever Indicator .....	1-16
Caution Indicators .....	1-17
Exhaust Temperature Indicator.....	1-17
Engine Warning Indicator .....	1-17
Hydraulic Oil Overheat Indicator.....	1-17
Pump Contamination Indicator.....	1-17
Stairway Position Indicator.....	1-18
Air Cleaner Restriction Indicator .....	1-18
Electrical Equipment Box Indicator .....	1-18
Status Indicators.....	1-18

**<https://www.ebooklibonline.com>**

Hello dear friend!

Thank you very much for reading.

Enter the link into your browser.

The full manual is available for immediate download.

**<https://www.ebooklibonline.com>**

# CONTENTS

Auto-Idle Indicator .....	1-18	Emergency Engine Stop Switch .....	3-14
Travel Mode Indicator .....	1-19	Engine Stop Switches .....	3-15
Prelub Indicator .....	1-19	<b>DRIVING MACHINE</b>	
Left Console.....	1-20	Drive Machine Carefully.....	4-1
Warning Lamp.....	1-20	Steering Machine Using Pedals.....	4-2
Caution Lamp.....	1-20	Steering Machine Using Levers.....	4-3
Key Pad .....	1-20	Travel Mode Switch .....	4-4
Monitor Contrast Switch .....	1-20	Travel Alarm.....	4-5
Wiper Switch.....	1-21	Operating on Soft Ground .....	4-6
Washer Switch.....	1-21	Raise One Track Using Boom and Arm .....	4-6
Wiper Delay Selector Switch.....	1-21	Towing Machine a Short Distance.....	4-7
Air Conditioners .....	1-22	Operating Ground Condition.....	4-8
Designations and Functions of Controls.....	1-23	Parking Machine on Slopes .....	4-9
Cooling .....	1-25	Parking Machine .....	4-9
Heating .....	1-25	<b>OPERATING MACHINE</b>	
Dehumidifying and Heating .....	1-25	Control Lever (ISO Pattern Backhoe) .....	5-1
Defrosting.....	1-26	Control Lever (HITACHI Pattern Backhoe) .....	5-2
Blower Operation without Cooling		Control Lever (ISO Pattern Loading Shovel) .....	5-3
or Heating .....	1-26	Control Lever (HITACHI Pattern Loading Shovel) .....	5-4
Ventilation Cab .....	1-26	Bucket Open-Close Pedals (Loading Shovel) .....	5-5
AM/FM Radio Operation.....	1-27	Pilot Control Shut-Off Lever .....	5-6
Digital Clock Setting Procedure .....	1-29	Engine Speed Control.....	5-7
Right Console.....	1-30	Auto-Idle.....	5-8
Key Switch .....	1-30	Warming-Up Operation .....	5-9
Emergency Engine Stop Switch.....	1-31	Warming-Up Cylinders and Motors .....	5-10
Engine Start Switch .....	1-31	Operate Machine Safely.....	5-11
Engine Stop Switch .....	1-31	Operating Backhoe.....	5-12
Engine Speed Control Dial.....	1-32	Grading Operation.....	5-12
Work Light Switch.....	1-33	Avoid Abusive Operation .....	5-13
Dome Light Switch.....	1-34	Operating Tips .....	5-14
Maintenance Light Switch.....	1-35	Avoid Swinging Bucket to Move Objects .....	5-14
Entrance Light Switch .....	1-36	Loading Shovel Operation .....	5-15
Travel Mode Switch .....	1-37	Prohibited Operation.....	5-15
Auto-Idle Switch.....	1-37	Object Handling .....	5-18
Buzzer Stop Switch.....	1-38	Overnight Storage Instructions.....	5-19
Fast-Filling System.....	1-39	<b>MAINTENANCE</b>	
Rear Console .....	1-40	Correct Maintenance and Inspection Procedures.....	7-1
Horn Switch .....	1-41	Check Hour Meter Regularly .....	7-2
Adjusting Seat .....	1-42	Use Correct Fuels and Lubricants .....	7-2
Seat Belt .....	1-45	Prepare Machine for Maintenance.....	7-3
Cab Door Release Button .....	1-46	Access Covers.....	7-4
Opening Cab Left Window.....	1-46	Inspection/Maintenance Lights .....	7-5
<b>BREAK-IN</b>		Use a Chain to Prevent Falling Accidents .....	7-6
Observe Machine Closely .....	2-1	Electric Pump.....	7-7
Every 10 Hours or Each Shift .....	2-1	Construction Outline .....	7-9
After the First 50 Hours .....	2-2	Hydraulic System.....	7-10
<b>OPERATING ENGINE</b>		Periodic Replacement of Parts.....	7-16
Inspect Machine Daily Before Starting .....	3-1	Maintenance Interval Guide.....	7-23
Before Turning Power ON.....	3-2	A. Greasing .....	7-27
Turning Power ON.....	3-3	Loading Shovel Front Joint Pins .....	7-28
Starting Engine .....	3-8	Backhoe Front Joint Pins .....	7-31
Starting in Cold Weather.....	3-9	Swing Bearing .....	7-34
Check Instruments After Starting.....	3-10	Swing Internal Gear.....	7-35
Using Booster Batteries.....	3-11	Center Joint.....	7-36
Stopping Engine .....	3-13	Operating Lubricator .....	7-37

## CONTENTS

B. Engine .....	7-39	Replace Batteries.....	7-112
Engine Oil Level in Engine Oil Pan .....	7-40	Replacing Fuses .....	7-113
Check Monitor Signal (on Reserve Tank) .....	7-41	Power Source Terminal .....	7-117
Change Engine Oil in Engine Oil Pan .....	7-42	High Current Fuse.....	7-118
Replace Engine Oil Filters.....	7-42	Check Electrical Cables and Wire Harnesses for Short Circuits.....	7-119
C. Transmission.....	7-46	Check Emergency Engine Stop Switch .....	7-121
Pump Transmission .....	7-47	J. Miscellaneous .....	7-122
Swing Reduction Gear .....	7-49	Check Bucket Teeth.....	7-123
Travel Reduction Gear .....	7-51	Inspect Emergency Escape Device and Hanger .....	7-126
D. Hydraulic System .....	7-53	Auto-Lubrication System .....	7-127
Inspection and Maintenance of Hydraulic Equipment .....	7-54	Check and Replace Seat Belt.....	7-131
Check Hydraulic Oil Level .....	7-56	Check Windshield Washer Fluid Level .....	7-131
Drain Hydraulic Tank Sump.....	7-58	Clean Air Horn Compressor Filter.....	7-132
Replace Full-Flow Filter and Drain Filter .....	7-59	Check Track Sag .....	7-133
Replace Bypass Filter Element.....	7-61	Check Accumulator.....	7-135
Replace Pilot Oil Filter.....	7-63	Clean Side Frame Area .....	7-135
Change Hydraulic Oil.....	7-65	Check Tightening Torque of Bolts and Nuts .....	7-136
Clean Suction Filter .....	7-68	<b>MAINTENANCE UNDER SPECIAL ENVIRONMENTAL CONDITIONS</b>	
Replace Suction Filter.....	7-69	Maintenance Under Special Environmental Conditions.....	9-1
Replace High-Pressure Filter .....	7-70	<b>STORAGE</b>	
Clean Oil Cooler Core .....	7-72	Storing Machine.....	10-1
Check Hoses and Lines .....	7-73	Removing Machine from Storage .....	10-2
Service Recommendations for Hydraulic Fittings .....	7-76	Transporting Machine .....	10-2
E. Fuel System .....	7-78	<b>TROUBLESHOOTING</b>	
Drain Fuel Tank Sump.....	7-80	CUMMINS Fault Code Lamp and Diagnostic Switches.....	11-1
Drain Fuel Filter Sediment .....	7-80	Engine.....	11-2
Replace Fuel Filter Element .....	7-81	Electrical System.....	11-6
Replace Fuel Filter.....	7-82	Mode Selection .....	11-9
Check Fuel Hoses .....	7-83	Hydraulic System.....	11-10
Clean Fuel Cooler Core.....	7-85	Auto-Idle.....	11-13
Clean Tank Breather .....	7-85	<b>SPECIFICATIONS</b>	
F. Air Cleaner .....	7-86	Specifications .....	12-1
Clean the Air Cleaner Outer Element.....	7-86	Working Range (Loading Shovel).....	12-2
Replace the Air Cleaner Outer and Inner Elements.....	7-86	Working Range (Backhoe).....	12-3
G. Cooling System.....	7-88	<b>INDEX</b> .....	14-1
Check Coolant Level .....	7-88		
Check DCA4 Concentration in Coolant.....	7-90		
Replace Coolant Filter .....	7-98		
Change Coolant.....	7-99		
Clean Engine Radiator, LTA Radiator Interior .....	7-99		
Clean Engine Radiator, LTA Radiator Core.....	7-100		
Check Fan Belt for Wear .....	7-100		
Check Radiator Stay for Looseness.....	7-100		
H. Air Conditioner .....	7-101		
Recirculation Air Filter .....	7-101		
Ventilation Air Filter .....	7-102		
Check Refrigerant Quantity.....	7-103		
Check Compressor Belt Tension .....	7-104		
Clean Condenser Core .....	7-105		
Check Tightening Torque.....	7-106		
Seasonal Maintenance .....	7-107		
I. Electrical System .....	7-108		
Batteries .....	7-108		



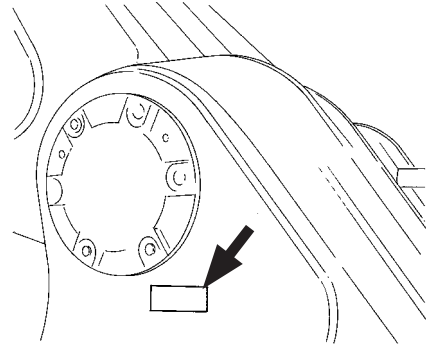
# MACHINE NUMBERS

The manufacturing Nos. explained in this group is the individual number (serial No.) given to each machine and main components. These numbers are requested when inquiring any information on the machine and/or components. Fill these serial Nos. in the blank spaces in this group to immediately make them available upon request.

## MACHINE TYPE AND SERIAL NUMBER

MODEL/TYPE: \_\_\_\_\_

PRODUCT IDENTIFICATION NUMBER: \_\_\_\_\_



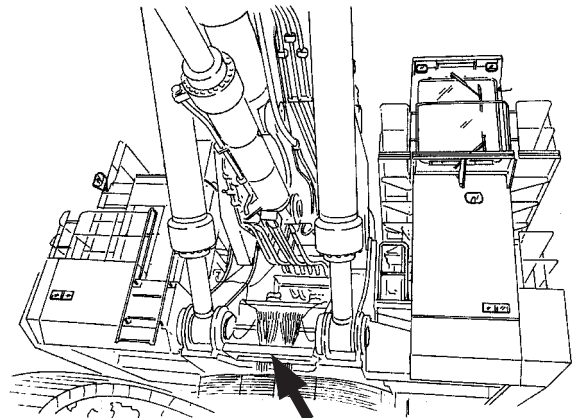
M118-07-095

## PRODUCT IDENTIFICATION NUMBER

PRODUCT IDENTIFICATION NUMBER: \_\_\_\_\_

 NOTE:

\*HCM18N00P00001001\*  
Marks to indicate the start and end of the PIN  
PRODUCT IDENTIFICATION NUMBER (PIN)



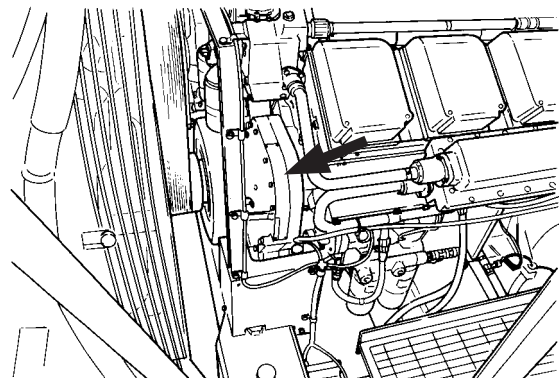
M118-01-011

## ENGINE TYPE AND SERIAL NUMBER

TYPE: \_\_\_\_\_

MFG. NO.(LEFT): \_\_\_\_\_

MFG. NO.(RIGHT): \_\_\_\_\_

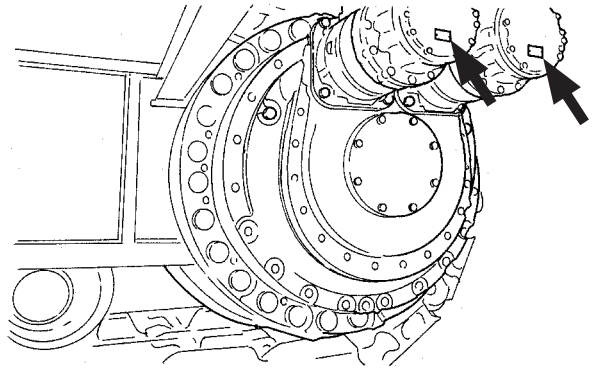


M117-07-092

# MACHINE NUMBERS

## TRAVEL MOTOR TYPE AND SERIAL NUMBER

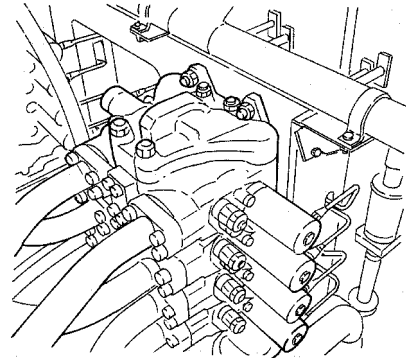
TYPE: \_\_\_\_\_  
MFG. NO.(LEFT FRONT): \_\_\_\_\_  
MFG. NO.(LEFT REAR): \_\_\_\_\_  
MFG. NO.(RIGHT FRONT): \_\_\_\_\_  
MFG. NO.(RIGHT REAR): \_\_\_\_\_



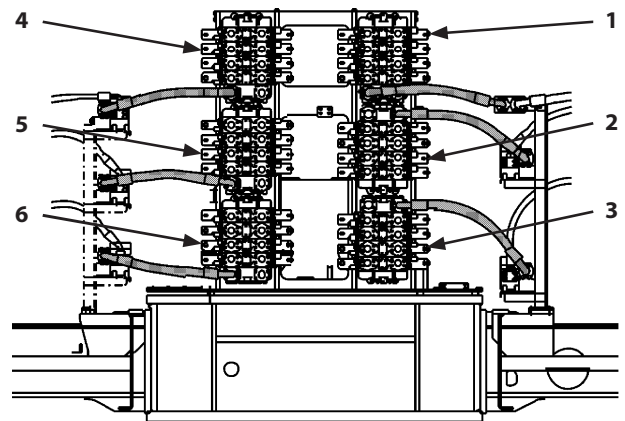
M118-07-029

## CONTROL VALVE TYPE AND SERIAL NUMBER

TYPE: \_\_\_\_\_  
MFG.NO.: (1) \_\_\_\_\_  
MFG.NO.: (2) \_\_\_\_\_  
MFG.NO.: (3) \_\_\_\_\_  
MFG.NO.: (4) \_\_\_\_\_  
MFG.NO.: (5) \_\_\_\_\_  
MFG.NO.: (6) \_\_\_\_\_



M118-07-045

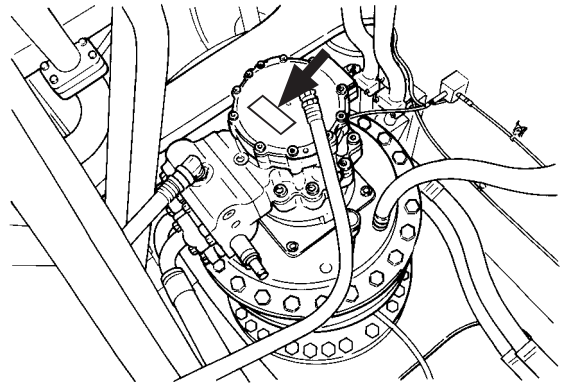


M118-07-084

# MACHINE NUMBERS

## SWING MOTOR TYPE AND SERIAL NUMBER

TYPE: \_\_\_\_\_  
MFG. NO.(FRONT LEFT) : \_\_\_\_\_  
MFG. NO.(FRONT RIGHT): \_\_\_\_\_  
MFG. NO.(REAR LEFT): \_\_\_\_\_  
MFG. NO.(REAR RIGHT): \_\_\_\_\_

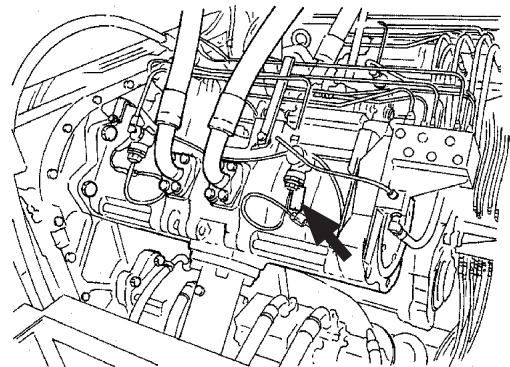


M117-07-082

## HYDRAULIC PUMP TYPE AND SERIAL NUMBER

TYPE: \_\_\_\_\_  
MFG. NO. \_\_\_\_\_

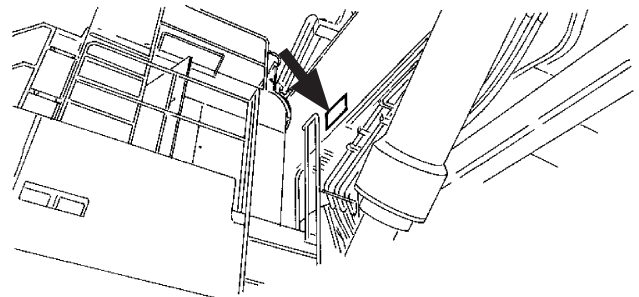
R 1	L 7
2	8
3	9
4	10
5	11
6	12



M118-07-044

## FRONT TYPE AND SERIAL NUMBER (LOADING SHOVEL)

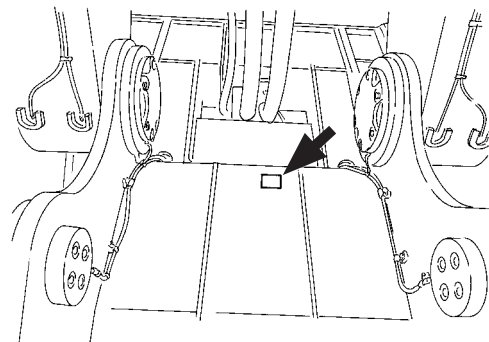
TYPE: \_\_\_\_\_  
MFG. NO.: \_\_\_\_\_



M118-07-101

## BUCKET TYPE AND SERIAL NUMBER (LOADING SHOVEL)

TYPE: \_\_\_\_\_  
MFG. NO.: \_\_\_\_\_



M118-07-100

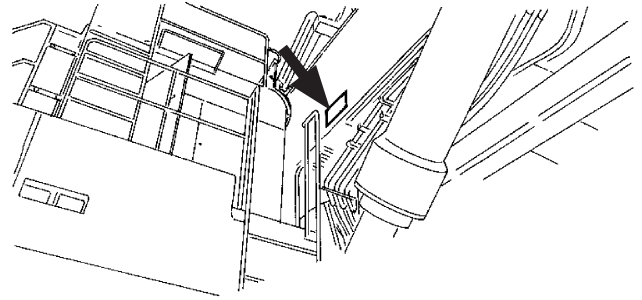
# MACHINE NUMBERS

---

## FRONT TYPE AND SERIAL NUMBER (BACKHOE BOOM)

TYPE: \_\_\_\_\_

MFG. NO.: \_\_\_\_\_

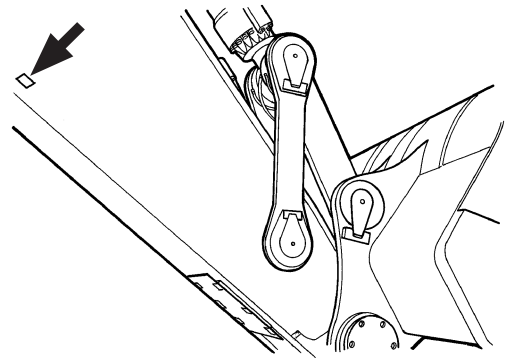


M118-07-101

## FRONT TYPE AND SERIAL NUMBER (BACKHOE ARM)

TYPE: \_\_\_\_\_

MFG. NO.: \_\_\_\_\_

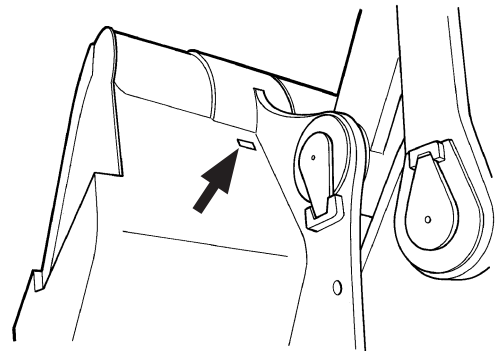


M118-07-128

## BUCKET TYPE AND SERIAL NUMBER (BACKHOE)

TYPE: \_\_\_\_\_

MFG. NO.: \_\_\_\_\_



M118-07-129

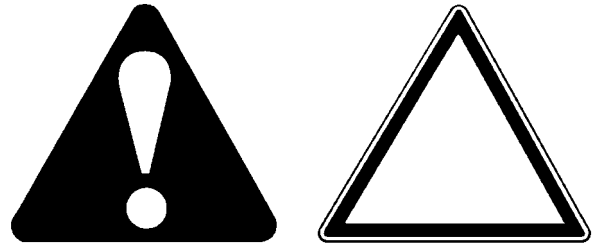
---

## SAFETY

---


### RECOGNIZE SAFETY INFORMATION

- These are the **SAFETY ALERT SYMBOLS**.
  - When you see these symbols on your machine or in this manual, be alert to the potential for personal injury.
  - Follow recommended precautions and safe operating practices.



SA-688

### UNDERSTAND SIGNAL WORDS

- On machine safety signs, signal words designating the degree or level of hazard - **DANGER**, **WARNING**, or **CAUTION** - are used with the safety alert symbol.
  - **DANGER** indicates an imminently hazardous situation which, if not avoided, will result in death or serious injury.
  - **WARNING** indicates a potentially hazardous situation which, if not avoided, could result in death or serious injury.
  - **CAUTION** indicates a potentially hazardous situation which, if not avoided, may result in minor or moderate injury.
  - **DANGER or WARNING safety signs** are located near specific hazards. General precautions are listed on **CAUTION safety signs**.
  - Some safety signs do not use any of the designated signal words above after the safety alert symbol are occasionally used on this machine.
- To avoid confusing machine protection with personal safety messages, a signal word **IMPORTANT** indicates a situation which, if not avoided, could result in damage to the machine.
-  **NOTE** indicates an additional explanation for an element of information.



**IMPORTANT**



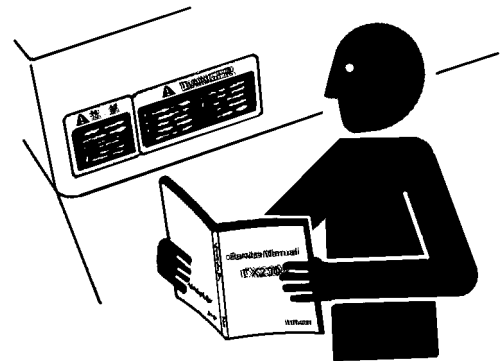
SA-1223

## SAFETY

---

### FOLLOW SAFETY INSTRUCTIONS

- Carefully read and follow all safety signs on the machine and all safety messages in this manual.
- Safety signs should be installed, maintained and replaced when necessary.
  - If a safety sign or this manual is damaged or missing, order a replacement from your authorized dealer in the same way you order other replacement parts (be sure to state machine model and serial number when ordering).
- Learn how to operate the machine and its controls correctly and safely.
- Allow only trained, qualified, authorized personnel to operate the machine.
- Keep your machine in proper working condition.
  - Unauthorized modifications of the machine may impair its function and/or safety and affect machine life.
  - Do not modify any machine parts without authorization. Failure to do so may deteriorate the part safety, function, and/or service life. In addition, personal accident, machine trouble, and/or damage to material caused by unauthorized modifications will void Hitachi Warranty Policy.
  - Do not use attachments and/or optional parts or equipment not authorized by Hitachi. Failure to do so may deteriorate the safety, function, and/or service life of the machine. In addition, personal accident, machine trouble, and/or damage to material caused by using unauthorized attachments and/or optional parts or equipment will void Hitachi Warranty Policy.
- The safety messages in this SAFETY chapter are intended to illustrate basic safety procedures of machines. However it is impossible for these safety messages to cover every hazardous situation you may encounter. If you have any questions, you should first consult your supervisor and/or your authorized dealer before operating or performing maintenance work on the machine.



SA-003

## SAFETY

### PREPARE FOR EMERGENCIES

- Be prepared if a fire starts or if an accident occurs.
  - Keep a first aid kit and fire extinguisher on hand.
  - Thoroughly read and understand the label attached on the fire extinguisher to use it properly.
  - To ensure that a fire extinguisher can be always used when necessary, check and service the fire extinguisher at the recommended intervals as specified in the fire extinguisher manual.
  - Establish emergency procedure guidelines to cope with fires and accidents.
  - Keep emergency numbers for doctors, ambulance service, hospital, and fire department posted near your telephone.



SA-437

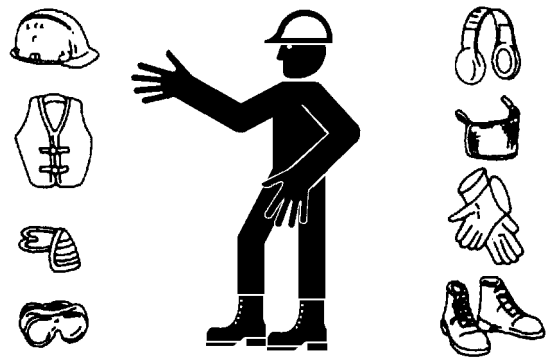
### WEAR PROTECTIVE CLOTHING

- Wear close fitting clothing and safety equipment appropriate to the job.

You may need:

- A hard hat
- Safety shoes
- Safety glasses, goggles, or face shield
- Heavy gloves
- Hearing protection
- Reflective clothing
- Wet weather gear
- Respirator or filter mask.

Be sure to wear the correct equipment and clothing for the job. Do not take any chances.



SA-438

- Avoid wearing loose clothing, jewelry, or other items that can catch on control levers or other parts of the machine.
- Operating equipment safely requires the full attention of the operator. Do not wear radio or music headphones while operating the machine.

### PROTECT AGAINST NOISE

- Prolonged exposure to loud noise can cause impairment or loss of hearing.
  - Wear a suitable hearing protective device such as earmuffs or earplugs to protect against objectionable or uncomfortably loud noises.



SA-434

## SAFETY

---

### INSPECT MACHINE

- Inspect your machine carefully each day or shift by walking around it before you start it to avoid personal injury.
- In the walk-around inspection, be sure to cover all points described in the “MAINTENANCE” chapter in the operator’s manual.



SA-435

---

### GENERAL PRECAUTIONS FOR CAB

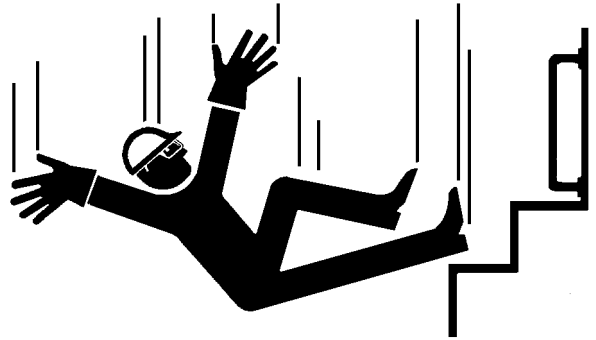
- Before entering the cab, thoroughly remove all dirt and/or oil from the soles of your work boots. If any controls such as a pedal is operated while with dirt and/or oil on the soles of the operator’s work boots the operator’s foot may slip off the pedal, possibly resulting in a personal accident.
- Do not leave parts and/or tools lying around the operator’s seat. Store them in their specified locations.
- Avoid storing transparent bottles in the cab. Do not attach any transparent type window decorations on the windowpanes as they may focus sunlight, possibly starting a fire.
- Refrain from listening to the radio, or using music headphones or mobile telephones in the cab while operating the machine.
- Keep all flammable objects and/or explosives away from the machine.
- After using the ashtray, always cover it to extinguish the match and/or tobacco.
- Do not leave cigarette lighters in the cab. When the temperature in the cab increases, the lighter may explode.

## SAFETY

---

### USE HANDHOLDS AND STEPS

- Falling is one of the major causes of personal injury.
  - When you get on and off the machine, always face the machine and maintain a three-point contact with the steps and handrails.
  - Do not use any controls as handholds.
  - Never jump on or off the machine. Never mount or dismount a moving machine.
  - Be careful of slippery conditions on platforms, steps, and handrails when leaving the machine.



SA-439

### ADJUST OPERATOR'S SEAT

- A poorly adjusted seat for either the operator or the work at hand may quickly fatigue the operator leading to misoperations.
  - The seat should be adjusted whenever changing the operator for the machine.
  - The operator should be able to fully depress the pedals and to correctly operate the control levers with his back against the seat back.
  - If not, move the seat forward or backward, and check again.
  - Adjust the rear view mirror position so that the best rear visibility is obtained from the operator's seat. If the mirror is broken, immediately replace it with a new one.



SA-378

### ENSURE SAFETY BEFORE RISING FROM OR LEAVING OPERATOR'S SEAT

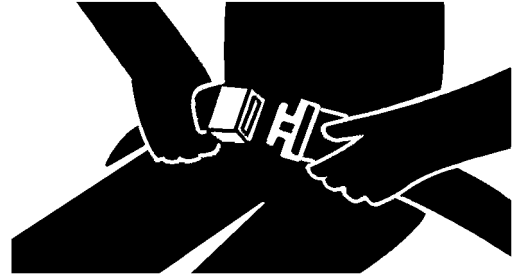
- Before rising from the operator's seat to open/close either side window or to adjust the seat position, be sure to first lower the front attachment to the ground and then move the pilot control shut-off lever to the LOCK position. Failure to do so may allow the machine to unexpectedly move when a body part unintentionally comes in contact with a control lever, possibly resulting in serious personal injury or death.
- Before leaving the machine, be sure to first lower the front attachment to the ground and then move the pilot control shut-off lever to the LOCK position. Press and hold the engine stop switches until stopping the engines completely. Remove the key from the key switch.
- Before leaving the machine, close all windows, doors, and access covers and lock them up.

## SAFETY

---

### FASTEN YOUR SEAT BELT

- If the machine should overturn, the operator may become injured and/or thrown from the cab. Additionally the operator may be crushed by the overturning machine, resulting in serious injury or death.
- Prior to operating the machine, thoroughly examine webbing, buckle and attaching hardware. If any item is damaged or worn, replace the seat belt or component before operating the machine.
- Be sure to remain seated with the seat belt securely fastened at all times when the machine is in operation to minimize the chance of injury from an accident.
- We recommend that the seat belt is replaced every three years regardless of its apparent condition.

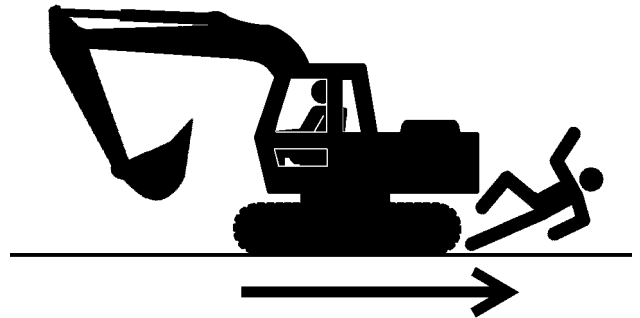


SA-237

---

### MOVE AND OPERATE MACHINE SAFELY

- Bystanders can be run over.
  - Take extra care not to run over bystanders. Confirm the location of bystanders before moving, swinging, or operating the machine.
  - Always keep the travel alarm and horn in working condition (if equipped). It warns people when the machine starts to move.
  - Use a signal person when moving, swinging, or operating the machine in congested areas. Coordinate hand signals before starting the machine.
  - Use appropriate illumination. Check that all lights are operable before operating the machine. If any faulty illumination is present, immediately repair it.



SA-426

---

### HANDLE STARTING AIDS SAFELY

Starting fluid:

- Starting fluid is highly flammable.
  - Keep all sparks and flame away when using it.
  - Keep starting fluid well away from batteries and cables.
  - Remove container from machine if engine does not need starting fluid.
  - To prevent accidental discharge when storing a pressurized container, keep the cap on the container, and store it in a cool, well-protected location.
  - Do not incinerate or puncture a starting fluid container.



SA-293

## SAFETY

---

### OPERATE ONLY FROM OPERATOR'S SEAT

- Inappropriate engine starting procedures may cause the machine to runaway, possibly resulting in serious injury or death.
  - Start the engines only from the operator's seat.
  - Do not start engines by shorting across starter terminals.
  - Before starting the engines, confirm that all control levers are in neutral.
  - Before starting the engines, confirm the safety around the machine and sound the horn to alert bystanders.

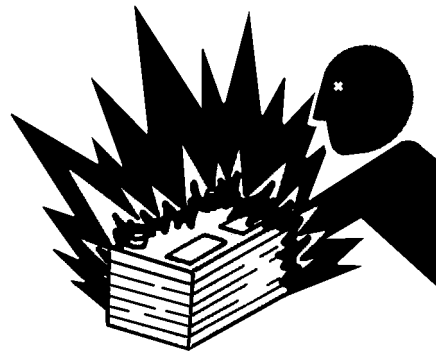


SA-444

---

### JUMP STARTING

- Battery gas can explode, resulting in serious injury.
  - If the engines must be jump started, be sure to follow the instructions shown in the "OPERATING ENGINE" chapter in the operator's manual.
  - The operator must be in the operator's seat so that the machine will be under control when the engines start. Jump starting is a two-person operation.
  - Never use a frozen battery.
  - Failure to follow correct jump starting procedures could result in a battery explosion or a runaway machine.

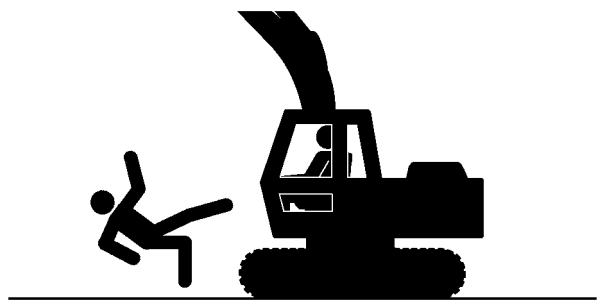


SA-032

---

### KEEP RIDERS OFF MACHINE

- Riders on machine are subject to injury such as being struck by foreign objects and being thrown off the machine.
  - Only allow the operator on the machine. Keep riders off.
  - Riders also obstruct the operator's view, resulting in the machine being operated in an unsafe manner.



SA-379

## SAFETY

---

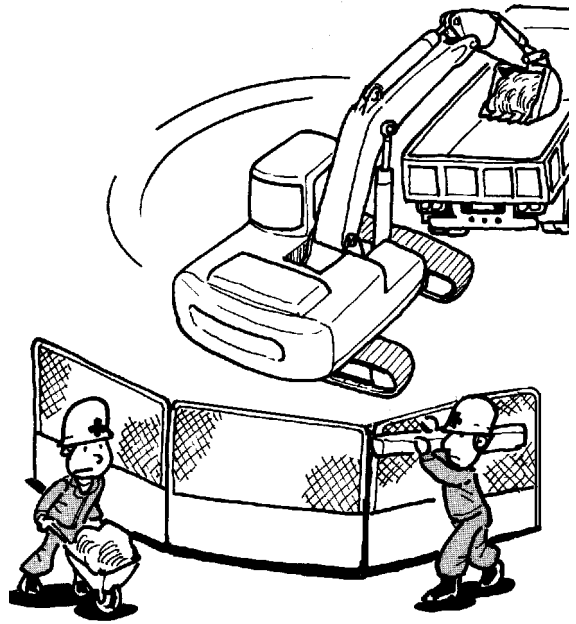
### PRECAUTIONS FOR OPERATIONS

- Investigate the worksite before starting operations.
  - Be sure to install an overhead cab guard when operating in a worksite which has a possibility of falling objects.
  - If operation on soft ground is required, sufficiently reinforce the ground beforehand.
  - Be sure to wear close fitting clothing and safety equipment appropriate for the job, such as a hard hat, etc. when operating the machine.
  - Clear all persons and obstacles from area of operation and machine movement.

Always beware of the surroundings while operating.

When working in a small area surrounded by obstacles, take care not to hit the upperstructure against obstacles.

- When loading onto trucks, bring the bucket over the truck beds from the rear side. Take care not to swing the bucket over the cab or over any person.



M104-05-015

## SAFETY

---

### INVESTIGATE JOB SITE BEFOREHAND

- When working at the edge of an excavation or on a road shoulder, the machine could tip over, possibly resulting in serious injury or death.
- Investigate the configuration and ground conditions of the job site beforehand to prevent the machine from falling and to prevent the ground, stockpiles, or banks from collapsing.
- Make a work plan. Use machines appropriate to the work and job site.
- Reinforce ground, edges, and road shoulders as necessary. Keep the machine well back from the edges of excavations and road shoulders.
- When working on an incline or on a road shoulder, employ a signal person as required.
- Confirm that your machine is equipped with a FOPS cab before working in areas where the possibility of falling stones or debris exist.
- When the footing is weak, reinforce the ground before starting work.
- When working on frozen ground, be extremely alert. As ambient temperatures rise, footing becomes loose and slippery.
- Beware the possibility of fire when operating the machine near flammable objects such as dry grass.
- Make sure the worksite has sufficient strength to firmly support the machine.  
When working close to an excavation or at road shoulders, operate the machine with the tracks positioned perpendicular to the cliff face with travel motors at the rear, so that the machine can more easily evacuate if the cliff face collapses.
- If working on the bottom of a cliff or a high bank is required, be sure to investigate the area first and confirm that no danger of the cliff or bank collapsing exists. If any possibility of cliff or bank collapsing exists, do not work on the area.
- Soft ground may collapse when operating the machine on it, possibly causing the machine to tip over. When working on a soft ground is required, be sure to reinforce the ground first using large pieces of steel plates strong and firm enough to easily support the machine.
- Note that there is always a possibility of machine tipping over when working on rough terrain or on slopes. Prevent machine tipping over from occurring. When operating on rough terrain or on slopes:
  - Reduce the engine speed.
  - Select slow travel speed mode.
  - Operate the machine slowly and be cautious with machine movements.



SA-380



**Suggest:**

**For more complete manuals. Please go to the home page.**

**<https://www.ebooklibonline.com>**

**If the above button click is invalid. Please download this document first, and then click the above link to download the complete manual.**

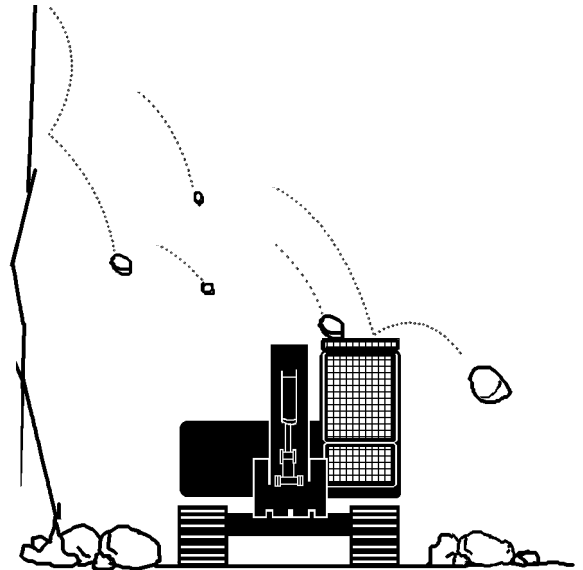
**Thank you so much for reading**

## SAFETY

---

### PROTECT AGAINST FALLING STONES AND DEBRIS

- Confirm that your machine is FOPS cab equipped before working in areas where the possibility of falling stones or debris exist.



SA-490

### PROVIDE SIGNALS FOR JOBS INVOLVING MULTIPLE MACHINES

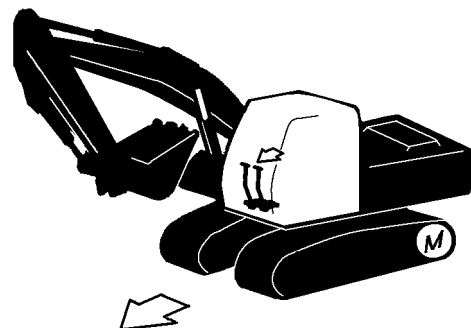
- For jobs involving multiple machines, provide signals commonly known by all personnel involved. Also, appoint a signal person to coordinate the job site. Make sure that all personnel obey the signal person's directions.



SA-481

### CONFIRM DIRECTION OF MACHINE TO BE DRIVEN

- Incorrect travel pedal/lever operation may result in serious injury death.
- Before driving the machine, confirm the position of the undercarriage in relation to the operator's position. If the travel motors are located in front of the cab, the machine will move in reverse when travel pedals/levers are operated to the front.

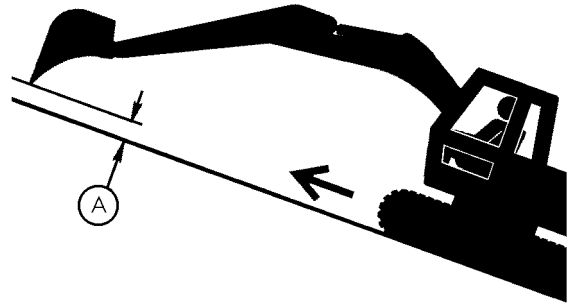


SA-491

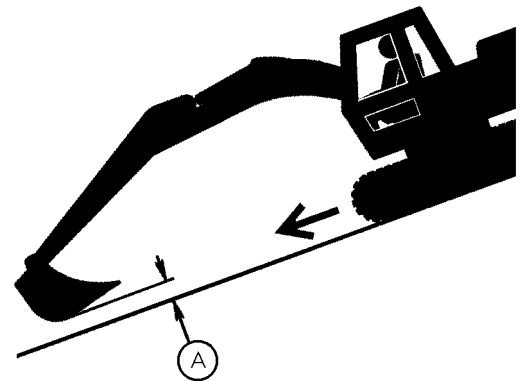
## SAFETY

### DRIVE MACHINE SAFELY

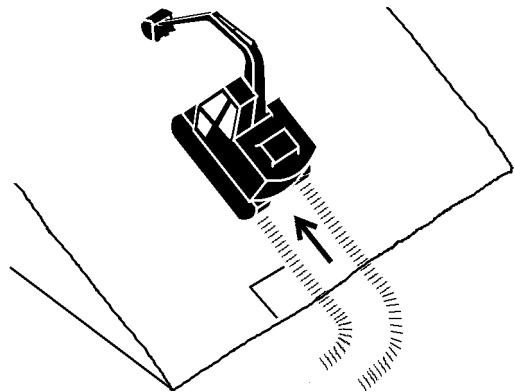
- Before driving the machine, always confirm that the travel levers/pedals direction corresponds to the direction you wish to drive.
  - Be sure to detour around any obstructions.
  - Avoid traveling over obstructions. Soil, fragments of rocks, and/or metal pieces may scatter around the machine. Do not allow personnel to stay around the machine while traveling.
- Driving on a slope may cause the machine to slip or overturn, possibly resulting in serious injury or death.
  - Never attempt to ascend or descend 30 degrees or steeper slopes.
  - Be sure to fasten the seat belt.
  - When driving up or down a slope, keep the bucket facing the direction of travel, approximately 0.5 to 1.0 m (A) above the ground.
  - If the machine starts to skid or becomes unstable, immediately lower the bucket to the ground and stop.



SA-387



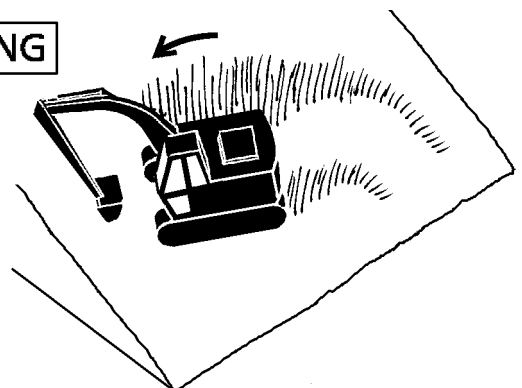
SA-388



SA-441

- Driving across the face of a slope or steering on a slope may cause the machine to skid or turnover. If the direction must be changed, move the machine to level ground, then, change the direction to ensure safe operation.
- Avoid swinging the upperstructure on slopes. Never attempt to swing the upperstructure downhill. The machine may tip over. If swinging uphill is unavoidable, carefully operate the upperstructure and boom at slow speed.
- If the engines stall on a slope, immediately lower the bucket to the ground. Return the control levers to neutral. Then, restart the engines.

**WRONG**



SA-589

**<https://www.ebooklibonline.com>**

Hello dear friend!

Thank you very much for reading.

Enter the link into your browser.

The full manual is available for immediate download.

**<https://www.ebooklibonline.com>**