

PART No. EM188-1-2

OPERATOR'S MANUAL

EX3600-5

HYDRAULIC EXCAVATOR

Serial No. 000101 and up

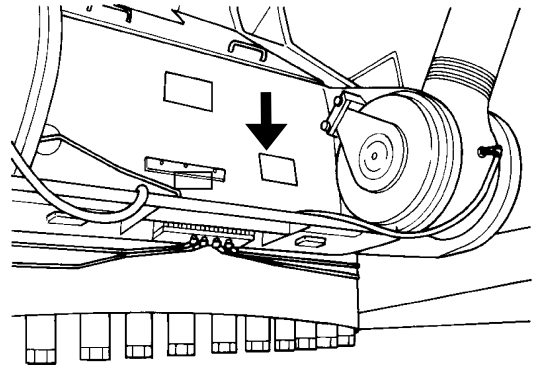
HITACHI

MACHINE NUMBERS

MACHINE TYPE AND SERIAL NUMBER

MODEL/TYPE: _____

PRODUCT
IDENTIFICATION
NUMBER: _____



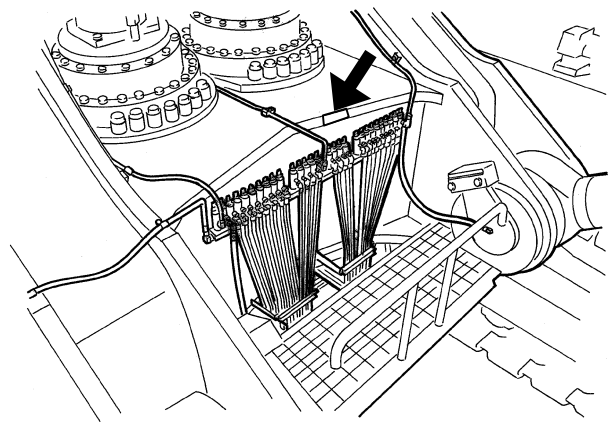
M144-07-100

PRODUCT IDENTIFICATION NUMBER

PRODUCT
IDENTIFICATION
NUMBER: _____

 NOTE:

_____ Marks to indicate the start and
end of the PIN
188P000101
_____ PRODUCT IDENTIFICATION
NUMBER (PIN)

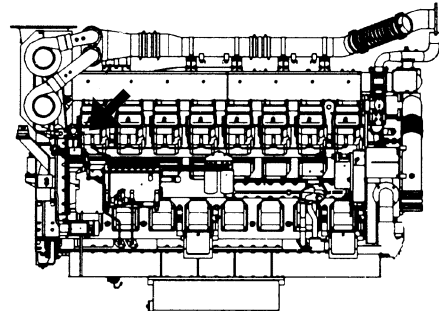


M146-07-018

ENGINE TYPE AND SERIAL NUMBER

TYPE: _____

MFG. NO. _____

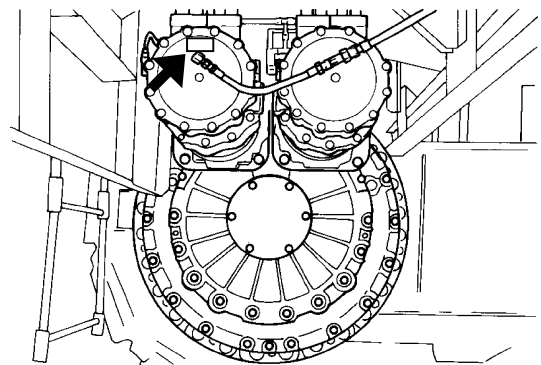


M146-07-094

TRAVEL MOTOR TYPE AND SERIAL NUMBER

TYPE: _____

MFG. NO.: _____



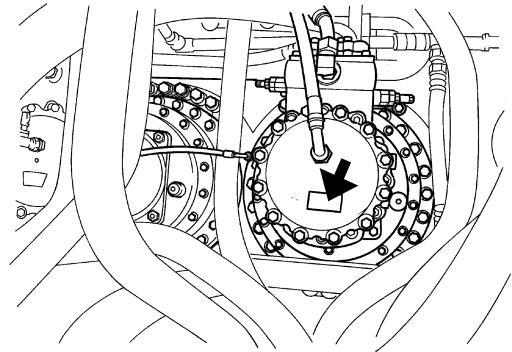
M145-07-079

MACHINE NUMBERS

SWING MOTOR TYPE AND SERIAL NUMBER

TYPE: _____

MFG. NO.: _____

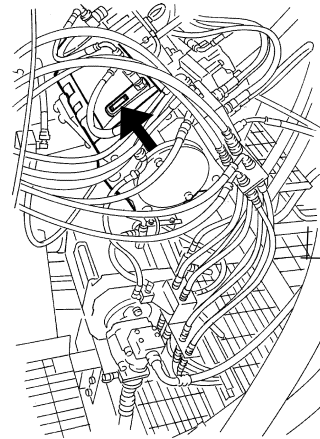


M146-07-028

HYDRAULIC PUMP TYPE AND SERIAL NUMBER

TYPE: _____

MFG. NO.: _____

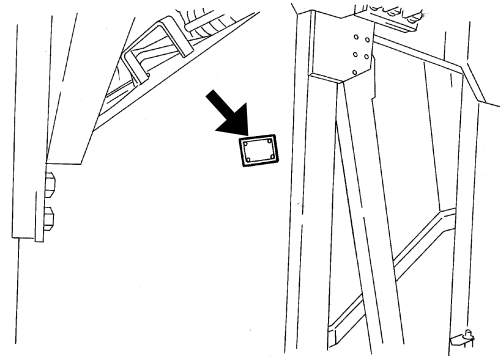


M146-07-059

FRONT TYPE AND SERIAL NUMBER (LOADING SHOVEL)

TYPE: _____

MFG. NO.: _____

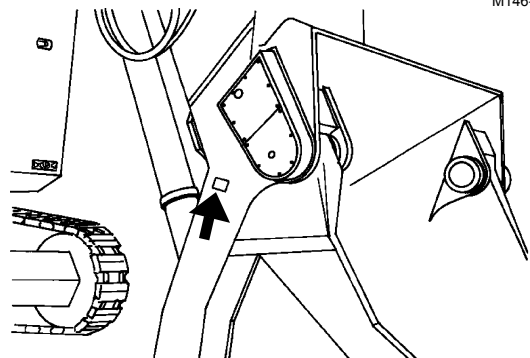


M146-07-060

BUCKET TYPE AND SERIAL NUMBER (LOADING SHOVEL)

TYPE: _____

MFG. NO.: _____



M117-12-003

<https://www.ebooklibonline.com>

Hello dear friend!

Thank you very much for reading.

Enter the link into your browser.

The full manual is available for immediate download.

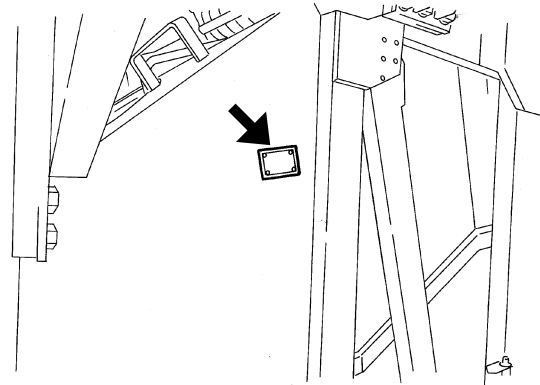
<https://www.ebooklibonline.com>

MACHINE NUMBERS

FRONT TYPE AND SERIAL NUMBER (BACKHOE BOOM)

TYPE: _____

MFG. NO.: _____

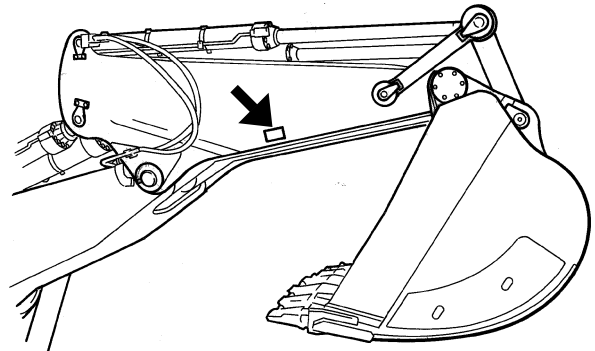


M146-07-060

FRONT TYPE AND SERIAL NUMBER (BACKHOE ARM)

TYPE: _____

MFG. NO.: _____

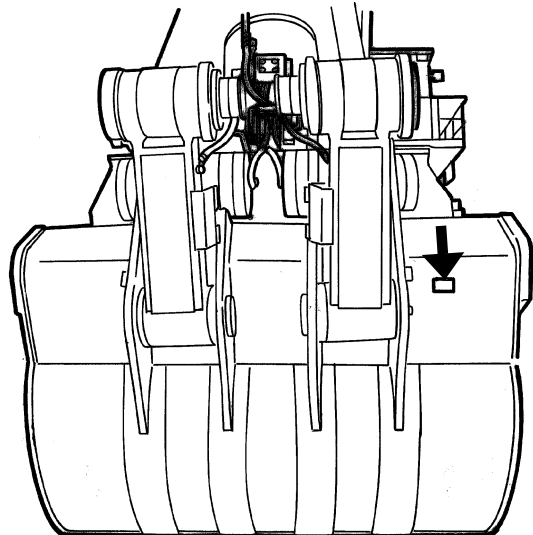


M146-07-061

BUCKET TYPE AND SERIAL NUMBER (BACKHOE)

TYPE: _____

MFG. NO.: _____



M146-01-020

CONTENTS

MACHINE NUMBERS

SAFETY

Recognize Safety Information	S-1
Understand Signal Words	S-1
Follow Safety Instructions	S-2
Prepare for Emergencies	S-2
Wear Protective Clothing	S-3
Protect Against Noise	S-3
Inspect Machine	S-3
Use Handholds and Steps.....	S-4
Adjust the Operator's Seat	S-4
Fasten Your Seat Belt	S-5
Move and Operate Machine Safely	S-5
Handle Starting Aids Safely.....	S-5
Operate Only from Operator's Seat	S-6
Jump Starting	S-6
Keep Riders Off Machine	S-6
Investigate Job Site Beforehand	S-7
Protect Against Falling Stones and Debris.....	S-7
Provide Signals for Jobs Involving Multiple Numbers of Machines	S-8
Confirm Direction of Machine to be Driven	S-8
Drive Machine Safely.....	S-9
Avoid Injury from Rollaway Accidents	S-10
Avoid Injury from Back-Over and Swing Accidents.....	S-11
Keep Person Clear from Working Area.....	S-12
Never Position Bucket Over Anyone	S-12
Avoid Undercutting	S-12
Avoid Tipping.....	S-13
Never Undercut a High Bank.....	S-13
Dig with Caution	S-14
Operate with Caution.....	S-14
Avoid Power Lines.....	S-14
Object Handling.....	S-15
Protect Against Flying Debris	S-15
Park Machine Safely	S-16
Handle Fluids Safely – Avoid Fires.....	S-16
Practice Safe Maintenance	S-17
Warn Others of Service Work	S-18
Support Machine Properly.....	S-18
Stay Clear of Moving Parts.....	S-18
Prevent Parts from Flying	S-19
Store Attachments Safely.....	S-19
Prevent Burns.....	S-20
Replace Rubber Hoses Periodically.....	S-20
Avoid High-Pressure Fluids.....	S-21
Prevent Fires	S-22
Evacuating in Case of Fire	S-23
Beware of Exhaust Fumes	S-23
Avoid Heating Near Pressurized Fluid Lines.....	S-24
Avoid Applying Heat to Lines Containing Flammable Fluids.....	S-24
Remove Paint Before Welding or Heating	S-24

Prevent Battery Explosions.....	S-25
Service Air Conditioning System Safely.....	S-25
Handle Chemical Products Safely	S-26
Dispose of Waste Properly	S-26

SAFETY SIGNS..... S-29

COMPONENTS NAME..... 1-1

HANDLING LADDER/EMERGENCY ROPE

Using Ladder	1-2
Operating Ladder on the Ground.....	1-3
Operating Ladder on the Upperstructure	1-3
Emergency Escape.....	1-4
Emergency Exit.....	1-5
Evacuating in Case of Fire.....	1-5

OPERATOR'S STATION

Cab Features	1-7
Monitor Panel and Switch Panels (Left).....	1-8
Monitor Panel.....	1-9
Fuel Gauge	1-10
Hydraulic Oil Temperature Gauge.....	1-10
Coolant Temperature Gauge.....	1-10
Tachometer	1-10
Alternator Indicator	1-11
Pump Transmission Oil Pressure Indicator (Warning).....	1-11
Engine Oil Pressure Indicator (Warning).....	1-11
Overheat Indicator (Warning)	1-11
Hydraulic Oil Level Indicator (Warning)	1-12
Fuel Level Indicator	1-12
Engine Oil Level Indicator.....	1-12
Download Indicator	1-12
Coolant Level Indicator	1-13
Hydraulic Oil Level Indicator	1-13
Travel Mode Indicator (Slow Speed)	1-13
Auto-Idle Indicator.....	1-13
Engine Room Light Indicator	1-14
Entrance Light Indicator.....	1-14
Preheat Indicator	1-14
Travel Mode Indicator (Fast Speed)	1-14
Coolant Level Indicator (Warning).....	1-15
Auto-Lubrication Indicator.....	1-15
Engine Stop Indicator	1-15
Engine Warning Indicator	1-15
Exhaust Temperature Indicator	1-16
Air Cleaner Restriction Indicator	1-16
Pump Contamination Indicator	1-16
Fast-Filling System Indicator	1-16
Stop Valve Indicator (Warning).....	1-17
Engine Emergency Stop Indicator	1-17
Ladder Position Indicator	1-17
Switch Panel	1-17

CONTENTS

Wiper Switch	1-19
Wiper Delay Selector Switch	1-19
Washer Switch	1-20
Air Conditioners	1-21
Cooling	1-23
Heating	1-23
Dehumidifying and Heating	1-23
Defrosting	1-24
Blower Operation without Cooling or Heating	1-25
Ventilation the Cab	1-25
Indicator Light Check Switch	1-26
Level Check Switch	1-27
Buzzer Stop Switch	1-28
Dimmer Switch	1-29
Engine Speed Control Lever	1-29
Work Light Switch	1-30
Dome Light Switch	1-31
Engine Room Light Switch	1-32
Entrance Light Switch	1-33
Travel Speed Switch	1-34
Auto-Idle Switch	1-34
Switch Panel (Right)	1-35
Emergency Engine Stop Switch	1-35
Key Switch	1-35
Fast-Filling System Switch	1-36
Preheat Switch	1-37
Engine Troubleshooting Switch	1-38
Hour Meter	1-39
Horn Switch	1-39
FM/AM Radio Operation	1-40
Digital Clock Setting Procedure	1-42
Operator's Seat Adjustment	1-43
Seat Belt	1-45
Cab Door Release Button	1-46
Opening Cab Left Window	1-46

BREAK-IN

Observe Machine Closely	2-1
After the First 50 Hours	2-2

OPERATING THE ENGINE

Inspect Machine Daily Before Starting	3-1
Check Instruments Before Starting	3-2
Level Check	3-3
Starting the Engine	3-4
Starting in Cold Weather	3-5
Check Instruments After Starting	3-7
Using Booster Batteries	3-8
Stopping the Engine	3-10
Emergency Engine Stop Switch	3-11
Engine Stop Switches	3-12

DRIVING THE MACHINE

Drive the Machine Carefully	4-1
Steering the Machine Using Pedals	4-2

Steering the Machine Using Levers	4-3
Travel Speed Switch	4-4
Travel Alarm	4-5
Traveling	4-6
Operating on Soft Ground	4-7
Raise One Track Using Boom and Arm	4-7
Towing Machine a Short Distance	4-8
Operating in Water or Mud	4-9
Precautions for Traveling on Slopes	4-10
Parking the Machine on Slopes	4-11
Parking the Machine	4-11

OPERATING THE MACHINE

Control Lever (HITACHI Pattern Backhoe)	5-1
Control Lever (ISO Pattern Backhoe)	5-2
Control Lever (HITACHI Pattern Loading Shovel)	5-3
Control Lever (ISO Pattern Loading Shovel)	5-4
Bucket Open-Close Pedals (Loading Shovel)	5-5
Pilot Control Shut-Off Lever	5-6
Warming-Up Operation	5-7
Warming-Up the Motor and the Cylinders	5-8
Auto-Idle	5-9
Engine Speed Control	5-10
Precautions for Operations	5-11
Operate the Machine Safely	5-12
Operating Backhoe	5-13
Grading Operation	5-13
Avoid Abusive Operation	5-14
Operating Tips	5-15
Avoid Swinging Bucket to Move Objects	5-15
Loading Shovel Operation	5-16
Prohibited Operation	5-16
Object Handling --- If Equipped	5-19
Overnight Storage Instructions	5-20

MAINTENANCE

Correct Maintenance and Inspection Procedures	7-1
Service Your Machine at Specified Intervals	7-2
Check the Hour Meter Regularly	7-2
Use Correct Fuels and Lubricants	7-2
Prepare Machine for Maintenance	7-3
Open Access Doors for Service	7-5
Inspection/Maintenance Lights	7-6
Use a Chain to Prevent Falling Accidents	7-7
Construction Outline	7-8
Hydraulic System	7-9
Periodic Replacement of Rubber Hoses	7-12
Maintenance Interval Guide	7-16
A. Greasing	7-20
Loading Shovel Front Joint Pins	7-21
Backhoe Front Joint Pins	7-24
Swing Bearing	7-25

CONTENTS

Swing Internal Gear	7-26
Center Joint.....	7-27
Operating the Lubricator	7-28
B. Engine	7-30
Engine Oil Level	7-31
Change Engine Oil	7-32
Replace Engine Oil Main and Bypass Filters	7-32
Check Alternator Belt Tension	7-33
Check Injection Nozzle.....	7-34
Inspect Bolts and Nuts Outside Engine.....	7-34
Inspect and Adjust Valve Clearance	7-34
Check Fuel Injection Timing.....	7-34
Check Starter and Alternator.....	7-34
Check Turbocharger	7-34
C. Transmission	7-35
Pump Transmission	7-36
Swing Reduction Gear	7-39
Travel Reduction Gear.....	7-41
D. Hydraulic System	7-43
Inspection and Maintenance of Hydraulic Equipment.....	7-44
Check Hydraulic Oil Level	7-46
Drain Hydraulic Oil Tank Sump.....	7-47
Change Hydraulic Oil	7-48
Replace Full-Flow Filter and Drain Filter.....	7-51
Replace Bypass Filter	7-53
Replace Pilot Oil Filter.....	7-55
Suction Filter	7-57
Replace Suction Filter	7-58
Replace High-Pressure Strainer	7-59
Clean Oil Cooler Core	7-60
Check Hoses and Lines	7-61
Service Recommendations for Hydraulic Fittings.....	7-64
E. Fuel System	7-66
Refueling	7-66
Drain Fuel Tank Sump	7-68
Water Separator Filter.....	7-68
Replace Fuel Filter	7-69
Check Fuel Hoses.....	7-71
F. Air Cleaner	7-73
Clean Air Cleaner Outer Element.....	7-73
Replace Air Cleaner Outer and Inner Elements.....	7-73
Clean Dust Cup.....	7-74
G. Cooling System	7-75
Check Coolant Level.....	7-77
Change Coolant	7-78
Clean Radiator Interior	7-78
Clean Radiator Core	7-80
Clean Intercooler Core	7-80
H. Air Conditioner	7-81
Recirculation Air Filter	7-81
Ventilation Air Filter	7-82
Check Refrigerant Quantity.....	7-83

Check Compressor Belt Tension.....	7-84
Clean Condenser Core.....	7-85
Check Tightening Torque	7-86
Seasonal Maintenance	7-87
I. Electrical System	7-88
Batteries.....	7-88
Replacing Fuses.....	7-92
Power Source Terminal.....	7-94
Fusible Link	7-95
Check Electrical Cables and Wire Harnesses for Short Circuits.....	7-96
Check Emergency Engine Stop Switch	7-98
J. Miscellaneous	7-99
Check Bucket Teeth	7-100
Inspect Emergency Evacuation Equipment and Hanger.....	7-102
Auto-Lubrication System.....	7-103
Check and Replace Seat Belt.....	7-107
Check Windshield Washer Fluid Lever	7-107
Check and Adjust Track Sag.....	7-108
Check Accumulator and Track Adjuster Cylinder Circuit.....	7-110
Check Side Frame Area	7-110
Check Tightening Torque of Bolts and Nuts	7-111

MAINTENANCE UNDER SPECIAL ENVIRONMENTAL CONDITIONS

Maintenance Under Special Environmental Conditions.....	9-1
------------------------------------------------------------	-----

STORAGE

Storing the Machine.....	10-1
Removing the Machine from Storage	10-2

TROUBLESHOOTING

Engine Troubleshooting	11-1
Engine	11-3
Electrical System	11-7
Control Levers	11-10
Hydraulic System	11-10
Auto-Idle.....	11-13

SPECIFICATIONS

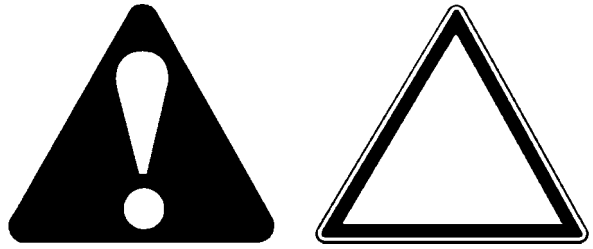
Specifications	12-1
Working Range (Loading Shovel).....	12-2
Working Range (Backhoe)	12-3

INDEX.....	14-1
------------	------

SAFETY

RECOGNIZE SAFETY INFORMATION


- These are the **SAFETY ALERT SYMBOLS**.
 - When you see these symbols on your machine or in this manual, be alert to the potential for personal injury.
 - Follow recommended precautions and safe operating practices.



SA-688

001-E01A-0001

UNDERSTAND SIGNAL WORDS

- On machine safety signs, signal words designating the degree or level of hazard - **DANGER**, **WARNING**, or **CAUTION** - are used with the safety alert symbol.
 - **DANGER** indicates an imminently hazardous situation which, if not avoided, will result in death or serious injury.
 - **WARNING** indicates a potentially hazardous situation which, if not avoided, could result in death or serious injury.
 - **CAUTION** indicates a potentially hazardous situation which, if not avoided, may result in minor or moderate injury.
 - **DANGER** or **WARNING** safety signs are located near specific hazards. General precautions are listed on **CAUTION** safety signs.
 - Some safety signs don't use any of the designated signal words above after the safety alert symbol are occasionally used on this machine.
-
- **CAUTION** also calls attention to safety messages in this manual.
- To avoid confusing machine protection with personal safety messages, a signal word **IMPORTANT** indicates a situation which, if not avoided, could result in damage to the machine.
-  **NOTE** indicates an additional explanation for an element of information.



IMPORTANT



SA-1223

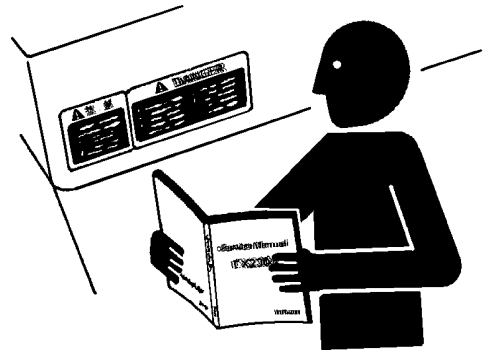
002-E01A-1223

SAFETY

FOLLOW SAFETY INSTRUCTIONS

- Carefully read and follow all safety signs on the machine and all safety messages in this manual.
- Safety signs should be installed, maintained and replaced when necessary.
 - If a safety sign or this manual is damaged or missing, order a replacement from your authorized dealer in the same way you order other replacement parts (be sure to state machine model and serial number when ordering).
- Learn how to operate the machine and its controls correctly and safely.
- Allow only trained, qualified, authorized personnel to operate the machine.
- Keep your machine in proper working condition.
 - Unauthorized modifications of the machine may impair its function and/or safety and affect machine life.
- The safety messages in this SAFETY chapter are intended to illustrate basic safety procedures of machines. However it is impossible for these safety messages to cover every hazardous situation you may encounter. If you have any questions, you should first consult your supervisor and/or your authorized dealer before operating or performing maintenance work on the machine.

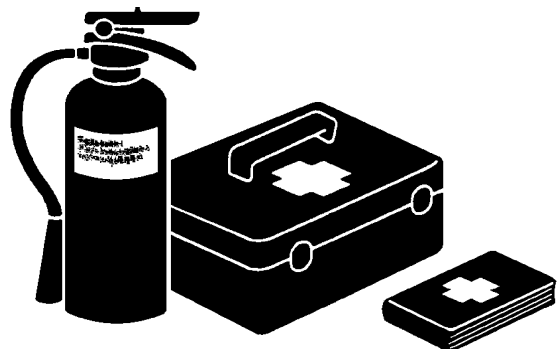
003-E01B-0003



SA-003

PREPARE FOR EMERGENCIES

- Be prepared if a fire starts or if an accident occurs.
 - Keep a first aid kit and fire extinguisher on hand.
 - Thoroughly read and understand the label attached on the fire extinguisher to use it properly.
 - To ensure that a fire-extinguisher can be always used when necessary, check and service the fire-extinguisher at the recommended intervals as specified in the fire-extinguisher manual.
- Establish emergency procedure guidelines to cope with fires and accidents.
- Keep emergency numbers for doctors, ambulance service, hospital, and fire department posted near your telephone.



SA-437

004-E01A-0437

SAFETY

WEAR PROTECTIVE CLOTHING

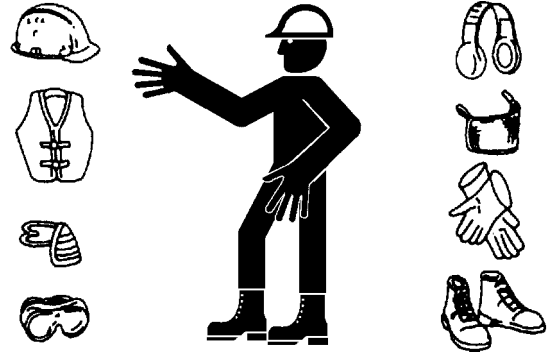
- Wear close fitting clothing and safety equipment appropriate to the job.

You may need:

- A hard hat
- Safety shoes
- Safety glasses, goggles, or face shield
- Heavy gloves
- Hearing protection
- Reflective clothing
- Wet weather gear
- Respirator or filter mask.

Be sure to wear the correct equipment and clothing for the job. Do not take any chances.

- Avoid wearing loose clothing, jewelry, or other items that can catch on control levers or other parts of the machine.
- Operating equipment safely requires the full attention of the operator. Do not wear radio or music headphones while operating the machine.



SA-438

005-E01A-0438

PROTECT AGAINST NOISE

- Prolonged exposure to loud noise can cause impairment or loss of hearing.
- Wear a suitable hearing protective device such as earmuffs or earplugs to protect against objectionable or uncomfortably loud noises.



006-E01A-0434

SA-434

INSPECT MACHINE

- Inspect your machine carefully each day or shift by walking around it before you start it to avoid personal injury.
- In the walk-around inspection, be sure to cover all points described in the “PRE-START INSPECTION” chapter in the operator’s manual.



007-E01A-0435

SA-435

SAFETY

GENERAL PRECAUTIONS FOR CAB

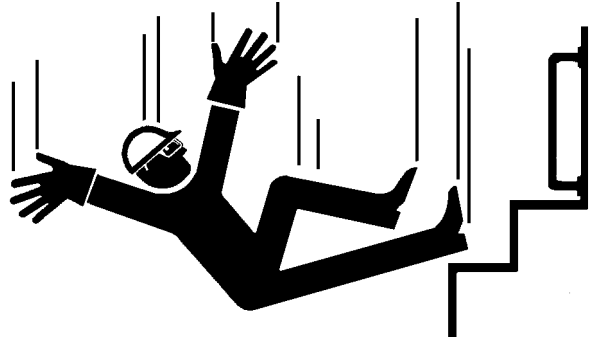
- Before entering the cab, thoroughly remove all dirt and/or oil from the soles of your work boots. If any controls such as a pedal is operated while with dirt and/or oil on the soles of the operator's work boots the operator's foot may slip off the pedal, possibly resulting in a personal accident.
- Don't leave parts and/or tools lying around the operator's seat. Store them in their specified locations.
- Avoid storing transparent bottles in the cab. Don't attach any transparent type window decorations on the windowpanes as they may focus sunlight, possibly starting a fire.
- Refrain from listening to the radio, or using music headphones or mobile telephones in the cab while operating the machine.
- Keep all flammable objects and/or explosives away from the machine.
- After using the ashtray, always cover it to extinguish the match and/or tobacco.
- Don't leave cigarette lighters in the cab. When the temperature in the cab increases, the lighter may explode.

524-E01A-0000

SAFETY

USE HANDHOLDS AND STEPS

- Falling is one of the major causes of personal injury.
 - When you get on and off the machine, always face the machine and maintain a three-point contact with the steps and handrails.
 - Do not use any controls as handholds.
 - Never jump on or off the machine. Never mount or dismount a moving machine.
 - Be careful of slippery conditions on platforms, steps, and handrails when leaving the machine.



SA-439

008-E01A-0439

ADJUST THE OPERATOR'S SEAT

- A poorly adjusted seat for either the operator or for the work at hand may quickly fatigue the operator leading to misoperations.
 - The seat should be adjusted whenever changing the operator for the machine.
 - The operator should be able to fully depress the pedals and to correctly operate the control levers with his back against the seat back.
 - If not, move the seat forward or backward, and check again.



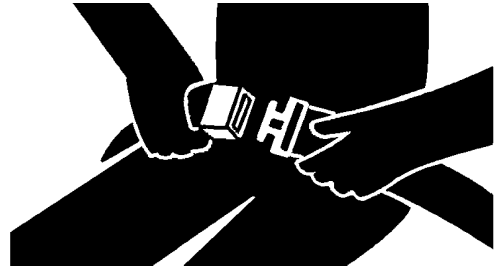
SA-378

009-E01A-0378

SAFETY

FASTEN YOUR SEAT BELT

- If the machine should overturn, the operator may become injured and/or thrown from the cab. Additionally the operator may be crushed by the overturning machine, resulting in serious injury or death.
- Prior to operating the machine, thoroughly examine webbing, buckle and attaching hardware. If any item is damaged or worn, replace the seat belt or component before operating the machine.
- Be sure to remain seated with the seat belt securely fastened at all times when the machine is in operation to minimize the chance of injury from an accident.
- We recommend that the seat belt be replaced every three years regardless of its apparent condition.

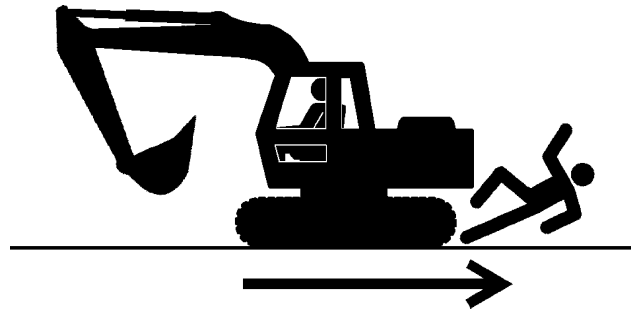


SA-237

010-E01A-0237

MOVE AND OPERATE MACHINE SAFELY

- Bystanders can be run over.
- Take extra care not to run over bystanders. Confirm the location of bystanders before moving, swinging, or operating the machine.
- Always keep the travel alarm and horn in working condition (if equipped). It warns people when the machine starts to move.
- Use a signal person when moving, swinging, or operating the machine in congested areas. Coordinate hand signals before starting the machine.



SA-426

011-E01A-0426

HANDLE STARTING AIDS SAFELY

Starting fluid:

- Starting fluid is highly flammable.
 - Keep all sparks and flame away when using it.
 - Keep starting fluid well away from batteries and cables.
 - Remove container from machine if engine does not need starting fluid.
 - To prevent accidental discharge when storing a pressurized container, keep the cap on the container, and store it in a cool, well-protected location.
 - Do not incinerate or puncture a starting fluid container.



SA-293

036-E01A-0293-3

SAFETY

OPERATE ONLY FROM OPERATOR'S SEAT

- Inappropriate engine starting procedures may cause the machine to runaway, possibly resulting in serious injury or death.
- Start the engine only from the operator's seat.
- NEVER start the engine while standing on the track or on ground.
- Do not start engine by shorting across starter terminals.
- Before starting the engine, confirm that all control levers are in neutral.

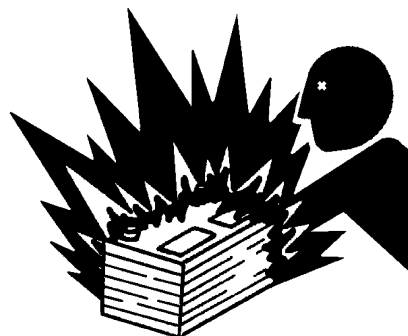


SA-444

012-E01B-0444

JUMP STARTING

- Battery gas can explode, resulting in serious injury.
- If the engine must be jump started, be sure to follow the instructions shown in the "OPERATING THE ENGINE" chapter.
- The operator must be in the operator's seat so that the machine will be under control when the engine starts. Jump starting is a two-person operation.
- Never use a frozen battery.
- Failure to follow correct jump starting procedures could result in a battery explosion or a runaway machine.

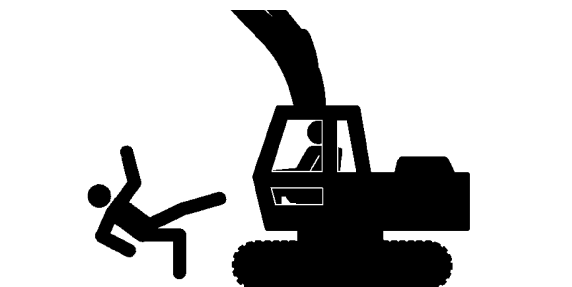


SA-032

S013-E01A-0032

KEEP RIDERS OFF MACHINE

- Riders on machine are subject to injury such as being struck by foreign objects and being thrown off the machine.
- Only allow the operator on the machine. Keep riders off.
- Riders also obstruct the operator's view, resulting in the machine being operated in an unsafe manner.



SA-379

014-E01B-0379

SAFETY

INVESTIGATE JOB SITE BEFOREHAND

- When working at the edge of an excavation or on a road shoulder, the machine could tip over, possibly resulting in serious injury or death.
- Investigate the configuration and ground conditions of the job site beforehand to prevent the machine from falling and to prevent the ground, stockpiles, or banks from collapsing.
- Make a work plan. Use machines appropriate to the work and job site.
- Reinforce ground, edges, and road shoulders as necessary. Keep the machine well back from the edges of excavations and road shoulders.
- When working on an incline or on a road shoulder, employ a signal person as required.
- Confirm that your machine is equipped a FOPS cab before working in areas where the possibility of falling stones or debris exist.
- When the footing is weak, reinforce the ground before starting work.
- When working on frozen ground, be extremely alert. As ambient temperatures rise, footing becomes loose and slippery.
- Beware the possibility of fire when operating the machine near flammable objects such as dry grass.

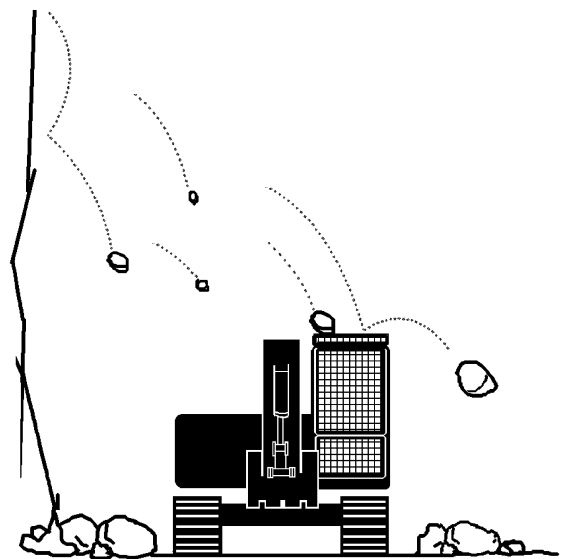


SA-380

015-E01A-0380

PROTECT AGAINST FALLING STONES AND DEBRIS

- Confirm that your machine is FOPS cab equipped before working in areas where the possibility of falling stones or debris exist.



SA-490

015-E01A-0380



Suggest:

For more complete manuals. Please go to the home page.

<https://www.ebooklibonline.com>

If the above button click is invalid. Please download this document first, and then click the above link to download the complete manual.

Thank you so much for reading

SAFETY

PROVIDE SIGNALS FOR JOBS INVOLVING MULTIPLE NUMBERS OF MACHINES

- For jobs involving multiple numbers of machines, provide signals commonly known by all personnel involved. Also, appoint a signal person to coordinate the job site. Make sure that all personnel obey the signal person's directions.

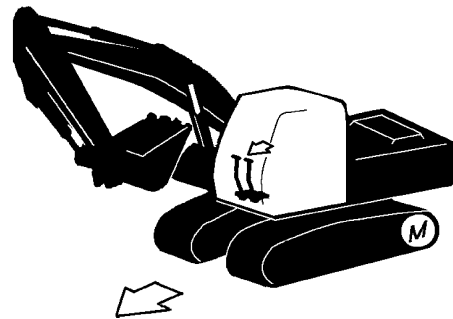


018-E01A-0481

SA-481

CONFIRM DIRECTION OF MACHINE TO BE DRIVEN

- Incorrect travel pedal/lever operation may result in serious injury death.
- Before driving the machine, confirm the position of the undercarriage in relation to the operator's position. If the travel motors are located in front of the cab, the machine will move in reverse when travel pedals/levers are operated to the front.



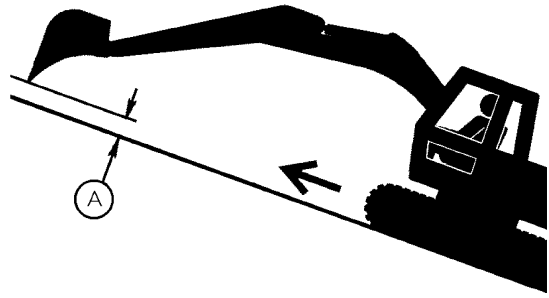
017-E01A-0491

SA-491

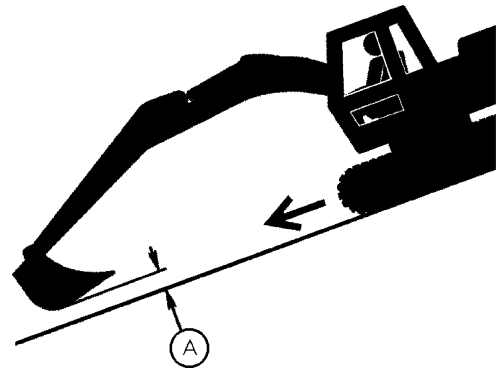
SAFETY

DRIVE MACHINE SAFELY

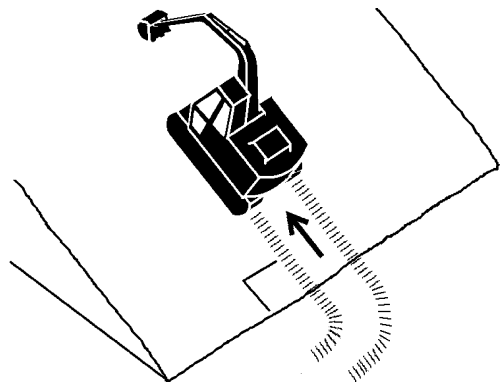
- Before driving the machine, always confirm that the travel levers/pedals direction corresponds to the direction you wish to drive.
- Be sure to detour around any obstructions.
- Avoid traveling over obstructions. Soil, fragments of rocks, and/or metal pieces may scatter around the machine. Don't allow personnel to stay around the machine while traveling.
- Driving on a slope may cause the machine to slip or overturn, possibly resulting in serious injury or death.
- When driving up or down a slope, keep the bucket facing the direction of travel, approximately 0.5 to 1.0 m (A) above the ground.
- If the machine starts to skid or becomes unstable, immediately lower the bucket to the ground and stop.



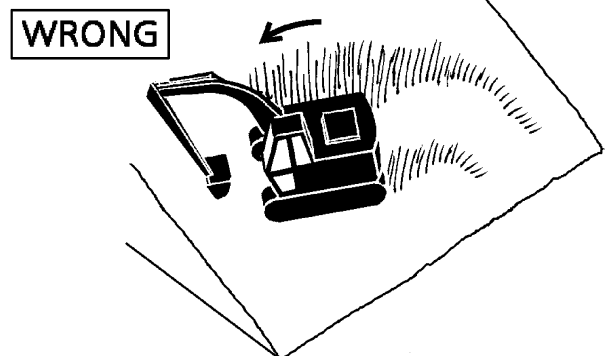
SA-387



SA-388



SA-441



SA-589

- Driving across the face of a slope or steering on a slope may cause the machine to skid or turnover. If the direction must be changed, move the machine to level ground, then, change the direction to ensure safe operation.

<https://www.ebooklibonline.com>

Hello dear friend!

Thank you very much for reading.

Enter the link into your browser.

The full manual is available for immediate download.

<https://www.ebooklibonline.com>