

PART NO.
EPI5S-EI-4
(海外版)

PARTS CATALOG

EX220-5

EX220LC-5

EX230LC-5

EX230H-5

EX230LCH-5

EQUIPMENT COMPONENTS PARTS

適用製番 MACHINE Mfg. No.	
エンジン型式 ENGINE TYPE	
エンジン製番 ENGINE Mfg. No.	
備考 REMARKS	

FOREWORD

- ◎ This parts catalog shows the precision parts of EX220-5, EX220LC-5, EX230LC-5, EX230H-5 and EX230LCH-5 Hydraulic Excavator.
The numerical parts No. index is provided at the end of this parts catalog.
In the parts index, a part No. with "*" mark shows a newly added part on the parts catalog.
- ◎ This parts catalog contains the most recent information available at the time of printing, and the contents of the list are based on information in effect at that time and are subject to change without notice.
- ◎ The references in the parts catalog of "LEFT", "RIGHT", "FRONT", and "REAR" are identified as follows.
The driver's seat is positioned "LEFT" side, and the opposite side is "RIGHT".
The front-end attachments is at the "FRONT". The counterweight is attached at the "REAR".
For the undercarriage, the travel motor is at the "REAR", and the opposite is "FRONT".

1. HOW TO ORDER PARTS

When ordering parts, Please specify the following items as shown in the following example.

	(EXAMPLE)	
(1) Model/type	(EX220-5)	} Shown on NAME-PLATE provided on MAIN FRAME on the lower right side of CAB
(2) Product Identification Number	(15SP001001)	
(3) Part No.	(A810165)	} Ordering Parts
(4) Part Name	(O-RING)	
(5) Q'ty	(2)	Ordering Q'ty
(6) Purchaser's Name and Address		

2. HOW TO USE THIS PARTS CATALOG

- ITEM Item No. shows the reference No. on the machine illustration.
- PART NO. Part No. consists of a letter of the alphabet and numerical, or numerical only.
- PART NAME Components of an assembly part are shown with "." marks and are shown on the line, or lines, below the assembly part. Also, if the component with "." mark consists of further components part, these further components are shown by the marks "...".

<https://www.ebooklibonline.com>

Hello dear friend!

Thank you very much for reading.

Enter the link into your browser.

The full manual is available for immediate download.

<https://www.ebooklibonline.com>

·Q' TY Q'ty shows the quantity used for a particular single hydraulic unit, however quantity of components shows the quantity for one assembly part.

·SERVICE CODE Abbreviations in the column of service code have their own meaning as shown below.

W: The part with this abbreviation shows that the part requires some work on it before installing in the machine.

D: The part with this abbreviation is a component of an assembly and is not available independently. The assembly part containing this part should be ordered.

K: This means that the part is contained in the service parts kit.

R: The part with this abbreviation shows that the quantity of the part is changed depending upon the machine, such as an adjusting shim etceteras.

S: This part is specially provided as a service part, which was not provided in the machine before from shipping the factory.

OP: Optional parts

OS: Over-sized parts

US: Under-sized parts

(NOTE: Part with abbreviation "OS" or "US" is described on the line below the standard-sized part.)

#: The part with this mark is newly added on that page of the equipment.

·SERIAL No. The machine serial number is printed just above the SERIAL No. column on all parts list pages.

[The serial number corresponds to the figures following the letter P in the PIN (Product Identification Number) on the name-plate.]

This serial number indicates the machine serial number applicable to the group unit (or component) described on this page.

When parts are modified, both the old and new parts are shown in the parts catalog with the applicable machine serial numbers in the SERIAL No. column.

Be sure to check that the your machine serial number is included in the range of the serial numbers shown above or in the SERIAL No. column when selecting parts.

Descriptions starting with letter D indicate the date when the part was replaced. (Example: "D96/08-" means that this part was replaced August '96.)

Descriptions starting with letter H indicate the component manufacturing No. stamped on the component manufacturing No. plate.

Description stating with letter F indicate the Front attachment manufacturing No. stamped on the front attachment manufacturing No. plate.

The letter H or F is used to identify the component or front attachment manufacturing No. from the machine serial number.

·ICA ICA shows the interchangeability between the original and the improved parts. Abbreviations used in this column are as follows.

I: Part No. in the column of "Replaceable part" can be used instead of this part but not vice versa.

- P: This must not be used for the machine. The part No. in the column "Replaceable part" should be used instead.
- T: Parts Nos. those in the column of "Replaceable part" can be used as an assembly instead of this part.
- Y: This part and the part in the column of "Replaceable part" are interchangeable with each other.

•REPLACEABLE PART

Interchangeable parts Nos. and their required quantity are shown in this column.

NOTE: If interchangeable improved parts are provided for the parts which you may order, the improved parts classified as "I", "P", "T" or "Y" may be supplied.

目 次
CONTENTS

PB-130
PB-A18
CONTROL-970

部品番号 PART NO.	コード CODE	部 品 名	PART NAME	適用号機 SERIAL NO.	頁 PAGE
ポンプ			P U M P		
9151945	9151945	ポンプ装置	PUMP DEVICE		001
+++++++	9151946	・ポンプ;ユニット	-PUMP;UNIT		003
9151947	9151947	・レギュレータ	-REGULATOR		005
4276918	0450900B	・ポンプ;ギヤ	-PUMP;GEAR		007
モータ;オイル			M O T O R ; O I L		
4330233	0677200A	モータ;オイル (旋回)	MOTOR;OIL (SWING)		009
9146471	9146471	モータ;オイル (走行)	MOTOR;OIL (TRAVEL)		011
9145186	9145186	・バルブ;ブレーキ	-VALVE;BRAKE		013
9134147	9134147A	・バルブ;リリーフ	-VALVE;RELIEF		015
9130524	9130524	・ピストン;サーボ	-PISTON;SERVO		017
バルブ			V A L V E		
4367133	-----	バルブ;コントロール	VALVE;CONTROL		---
+++++++	0677800B	・バルブ;コントロール (1/5)	-VALVE;CONTROL (1/5)		019
+++++++	0677900A	・バルブ;コントロール (2/5)	-VALVE;CONTROL (2/5)		021
+++++++	0678000B	・バルブ;コントロール (3/5)	-VALVE;CONTROL (3/5)		023
+++++++	0678100A	・バルブ;コントロール (4/5)	-VALVE;CONTROL (4/5)		025
+++++++	0678200A	・バルブ;コントロール (5/5)	-VALVE;CONTROL (5/5)		027
9156581	9156581A	バルブ;パイロット (フロント, 旋回)	VALVE;PILOT (FRONT & SWING)		029
9151777	9151777	バルブ;パイロット (走行)	VALVE;PILOT (TRAVEL)		031
9137384	9137384	バルブ;パイロット	VALVE;PILOT		033
4367132	0672400A	バルブ;フロウコントロール	VALVE;FC		035
4351142	0670500	バルブ;リリーフ	VALVE;RELIEF		037
9075046	9075046B	バルブ;スローリターン	VALVE;SLOW-RETURN		039
4391954	0452600	バルブ;スローリターン	VALVE;SLOW-RETURN		041
4334827	0668300	バルブ;ロック	VALVE;LOCK		043
4311303	0644400	バルブ;ホールディング	VALVE;HOLDING		045
シリンダ			C Y L I N D E R		
9147231	9147231	シリンダ;ブーム (右) [STD] [AUS]	CYL.;BOOM (R) [STD] [AUS]	001001-D98/08	047
9162439	9162439	シリンダ;ブーム (右) [STD] [AUS]	CYL.;BOOM (R) [STD] [AUS]	D98/09-	049
9101315	9101315B	シリンダ;ブーム (右) [USA]	CYL.;BOOM (R) [USA]	001001-D98/08	051
9177630	9177630	シリンダ;ブーム (右) [USA]	CYL.;BOOM (R) [USA]	D98/09-	053

部品番号 PART NO.	コード CODE	部品名	PART NAME	適用号機 SERIAL NO.	頁 PAGE
9147232	9147232	シリンダ;ブーム (左) [STD][AUS]	CYL.;BOOM (L) [STD][AUS]	001001-D98/08	055
9162440	9162440	シリンダ;ブーム (左) [STD][AUS]	CYL.;BOOM (L) [STD][AUS]	D98/09-	057
9101316	9101316B	シリンダ;ブーム (左) [USA]	CYL.;BOOM (L) [USA]	001001-D98/08	059
9177631	9177631	シリンダ;ブーム (左) [USA]	CYL.;BOOM (L) [USA]	D98/09-	061
9147233	9147233	シリンダ;アーム [STD][AUS]	CYL.;ARM [STD][AUS]	001001-D98/08	063
9162441	9162441	シリンダ;アーム [STD][AUS]	CYL.;ARM [STD][AUS]	D98/09-	065
9101317	9101317B	シリンダ;アーム [USA]	CYL.;ARM [USA]	001001-D98/08	067
9177632	9177632	シリンダ;アーム [USA]	CYL.;ARM [USA]	D98/09-	069
4380500	0451300	シリンダ;アーム (スーパーロング)	CYL.;ARM (RIVER MAINTENANCE)		071
9147234	9147234	シリンダ;バケット [STD][AUS]	CYL.;BUCKET [STD][AUS]		073
9101318	9101318B	シリンダ;バケット [USA]	CYL.;BUCKET [USA]		075
4371061	0671500A	シリンダ;バケット (スーパーロング)	CYL.;BUCKET (RIVER MAINTENANCE)		077

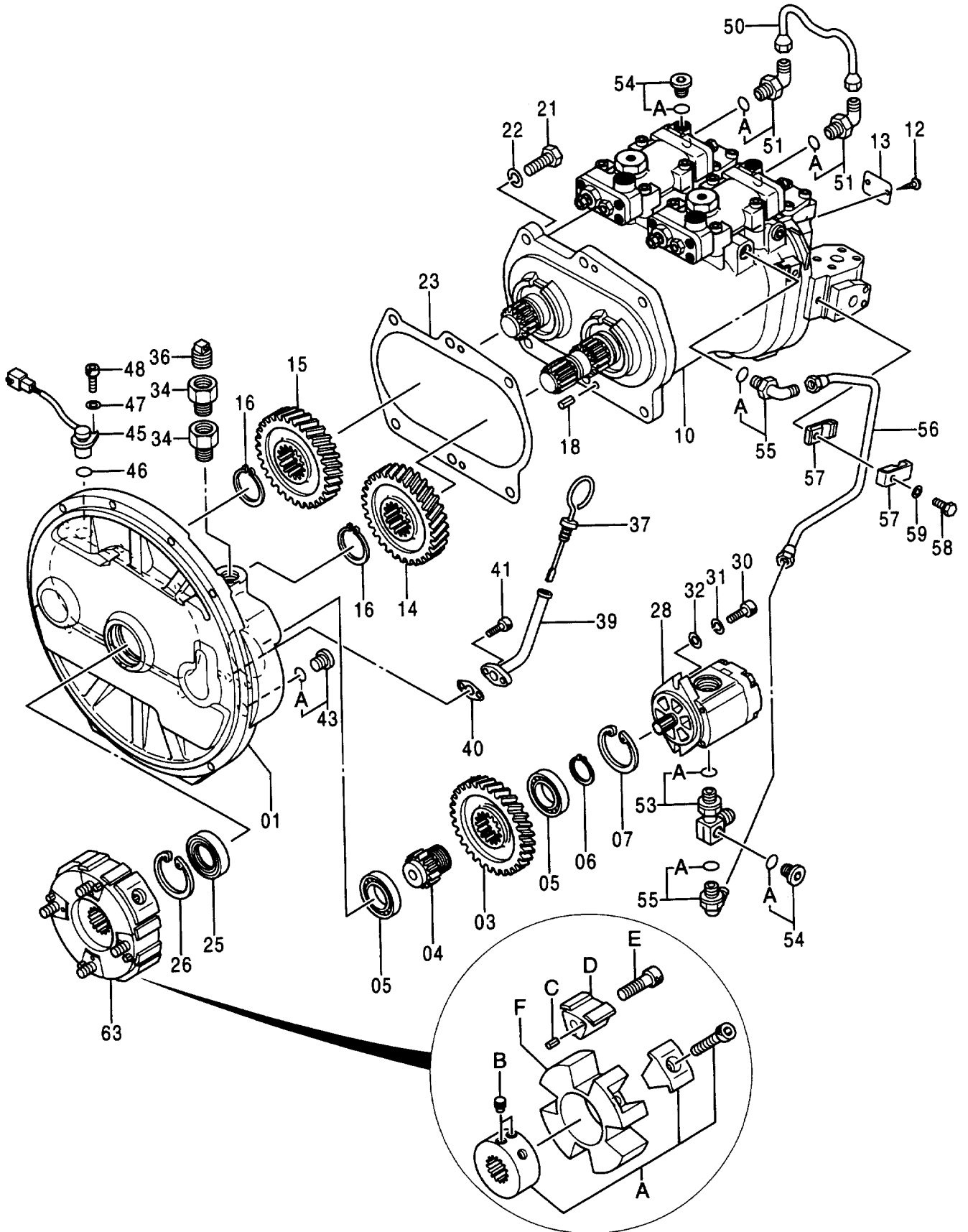
索引

PARTS INDEX

079

001A

ポンプ装置 PUMP DEVICE



ポンプ装置
PUMP DEVICE

001001-

符号 ITEM	部品番号 PART NO.	部品名 PART NAME	コード CODE	数量 Q'TY	サービス コード S. C	適用号機 SERIAL NO.	互換性 ICA	代替部品 REPLACEABLE PART	
								部品番号 PART NO.	数量 Q'TY
	9151945	PUMP DEVICE <for assembly of machine>	9151945	1			I	9155142	1
	(9155142)	PUMP DEVICE <for transportation>		1	S				
01	1020527	・CASING; GEAR		1					
03	3063840	・GEAR; PILOT		1					
04	3055594	・SHAFT; GEAR		1					
05	958740	・BRG. ; BALL		2					
06	962002	・RING; RETAINING		1					
07	991725	・RING; RETAINING		1					
10	+++++	・PUMP; UNIT	9151946	1	D				
12	M492564	・SCREW; DRIVE		2					
13	3076053	・NAME-PLATE		1					
14	3063842	・GEAR		1					
15	3063843	・GEAR		1					
16	4274552	・RING; RETAINING		2					
18	4099290	・PIN; SPRING		2					
21	J901645	・BOLT		6					
22	A590916	・WASHER; SPRING		6					
23	8058352	・PACKING		1					
25	4310055	・SEAL; OIL		1					
26	991725	・RING; RETAINING		1					
28	4276918	・PUMP; GEAR	0450900B	1					
30	M341028	・BOLT; SOCKET		2					
31	984054	・WASHER; SPRING		2					
32	4114402	・WASHER		2					
34	4317633	・ADAPTER		2					
36	4234782	・PLUG		1					
37	4340855	・GAUGE; LEVEL		1					
39	9743977	・PIPE		1					
40	9742779	・PACKING		1					
41	M340816	・BOLT; SOCKET		2					
43	9134111	・PLUG		1					
43A	4509180	・O-RING		1					
45	4265372	・SENSOR; REVOL.		1					
46	4306888	・O-RING		1					
47	A590106	・WASHER; PLANE		1					
48	M340616	・BOLT; SOCKET		1					
50	4369148	・PIPE; E		1					
51	4179837	・FITTING; PIPE		2		-H00589	Y	4293950	2



Suggest:

For more complete manuals. Please go to the home page.

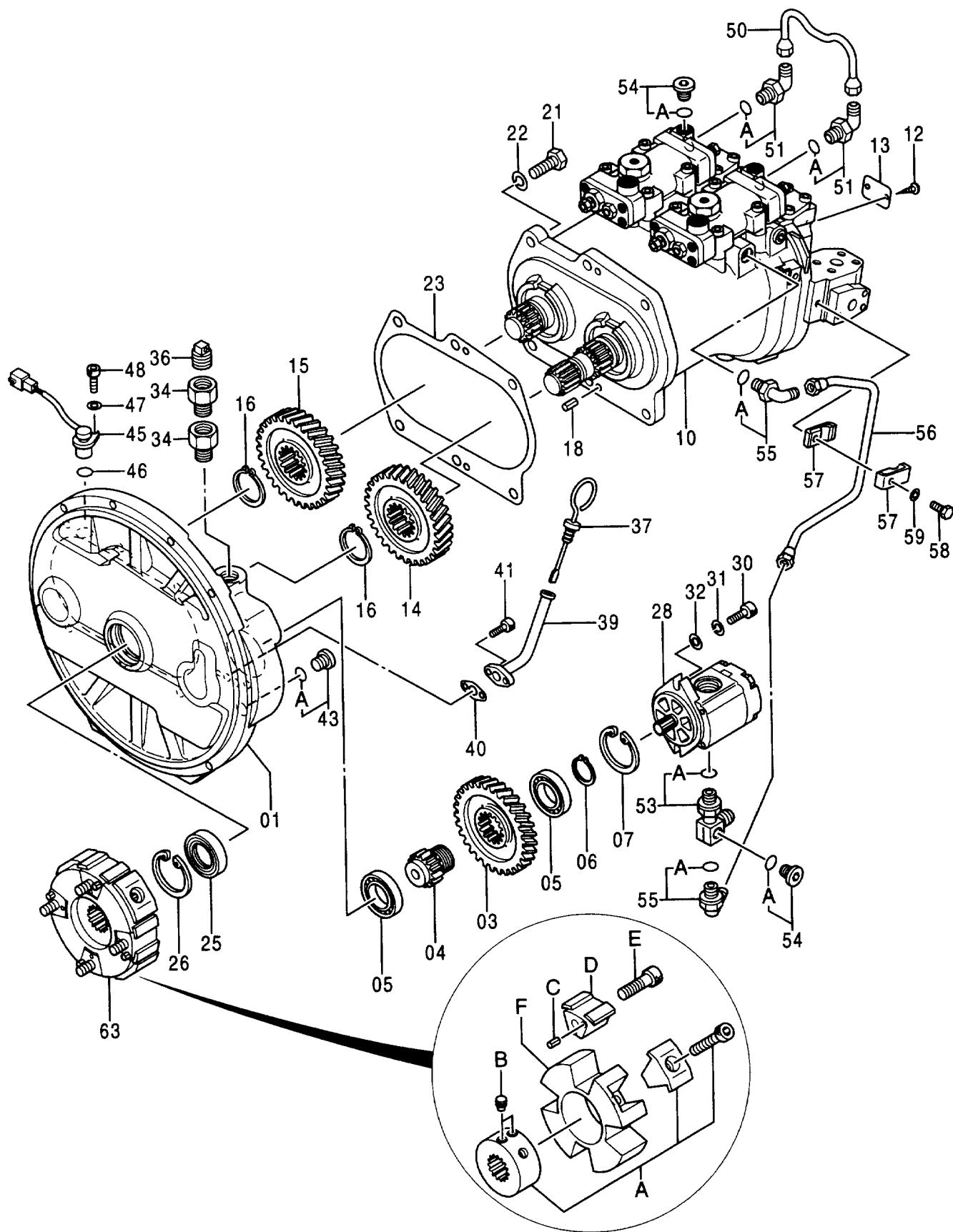
<https://www.ebooklibonline.com>

If the above button click is invalid. Please download this document first, and then click the above link to download the complete manual.

Thank you so much for reading

001B

ポンプ装置 PUMP DEVICE



<https://www.ebooklibonline.com>

Hello dear friend!

Thank you very much for reading.

Enter the link into your browser.

The full manual is available for immediate download.

<https://www.ebooklibonline.com>