

編 番  
PART NO.  
PI5D-EI-3

**PARTS CATALOG**

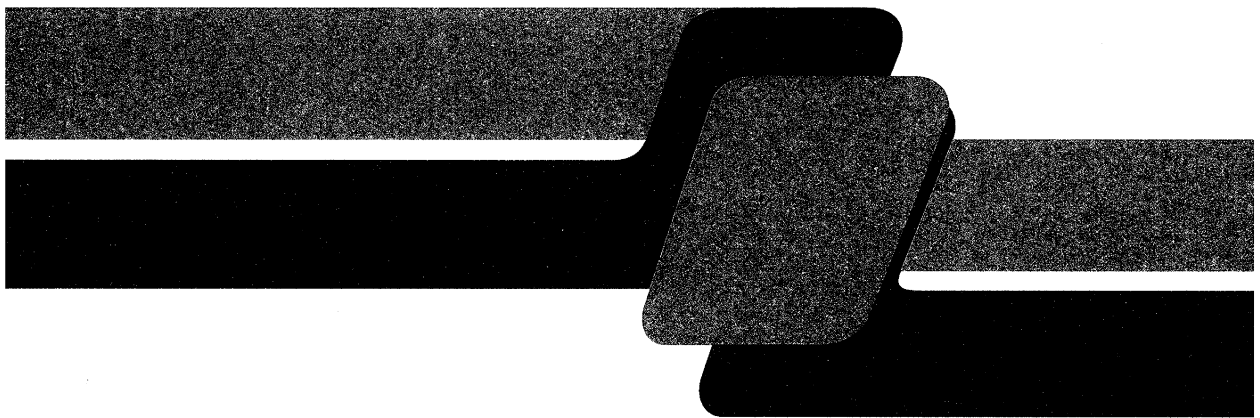
**パーツカタログ**

**EX220-3**

**EX220LC-3**

**EQUIPMENT COMPONENTS PARTS**

**機器インナーパーツ**



適用号機 10001~  
Serial No.

**HITACHI**

|                                |  |
|--------------------------------|--|
| 適 用 製 番<br>MACHINE Mfg. No.    |  |
| エ ン ジ ン 型 式<br>ENGINE TYPE     |  |
| エ ン ジ ン 製 番<br>ENGINE Mfg. No. |  |
| 備 考<br>REMARKS                 |  |

## FOREWORD

- ◎ This parts catalog shows the precision parts of EX220-3 and EX220LC-3 Hydraulic Excavator. The numerical parts No. index is provided at the end of this parts catalog. In the parts index, a part No. with "\*" mark shows a newly added part on the parts catalog.
- ◎ This parts catalog contains the most recent information available at the time of printing, and the contents of the list are based on information in effect at that time and are subject to change without notice.
- ◎ The references in the parts catalog of "LEFT", "RIGHT", "FRONT", and "REAR" are identified as follows.  
The driver's seat is positioned "LEFT" side, and the opposite side is "RIGHT".  
The front-end attachments is at the "FRONT". The counterweight is attached at the "REAR".  
For the undercarriage, the travel motor is at the "REAR", and the opposite is "FRONT".

### 1. HOW TO ORDER PARTS

When ordering parts, Please specify the following items as shown in the following example.

| (EXAMPLE)                        |             |  |
|----------------------------------|-------------|--|
| (1) Model of Machine             | (EX220-3)   | } Shown on NAME-PLATE provided on MAIN FRAME<br>on the lower right side of CAB |
| (2) Machine Serial No.           | (15D-10001) |  |
| (3) Part No.                     | (A810165)   | } Ordering Parts   |
| (4) Part Name                    | (O-RING)    |  |
| (5) Q' ty                        | (2)         | Ordering Q' ty   |
| (6) Purchaser's Name and Address |             |  |

### 2. HOW TO USE THIS PARTS CATALOG

- ITEM           Item No. shows the reference No. on the machine illustration.
- PART NO.       Part No. consists of a letter of the alphabet and numerical, or numerical only.
- PART NAME      Components of an assembly part are shown with "." marks and are shown on the line, or lines, below the assembly part. Also, if the component with "." mark consists of further components part, these further components are shown by the marks "...".

**<https://www.ebooklibonline.com>**

Hello dear friend!

Thank you very much for reading.

Enter the link into your browser.

The full manual is available for immediate download.

**<https://www.ebooklibonline.com>**

•Q' TY            Q' ty shows the quantity used for a particular single hydraulic unit, however quantity of components shows the quantity for one assembly part.

•SERVICE CODE    Abbreviations in the column of service code have their own meaning as shown below.

- W: The part with this abbreviation shows that the part requires some work on it before installing in the machine.
  - D: The part with this abbreviation is a component of an assembly and is not available independently. The assembly part containing this part should be ordered.
  - K: This means that the part is contained in the service parts kit.
  - R: The part with this abbreviation shows that the quantity of the part is changed depending upon the machine, such as an adjusting shim etceteras.
  - S: This part is specially provided as a service part, which was not provided in the machine before from shipping the factory.
  - OP: Optional parts
  - OS: Over-sized parts
  - US: Under-sized parts
- (NOTE: Part with abbreviation "OS" or "US" is described on the line below the standard-sized part.)
- #: The part with this mark is newly added on that page of the equipment.

•SERIAL No.        Applicable machine serial No. for the part is shown in this column.  
Further, above this column, the applicable serial No. is shown for all parts described on that page.  
Take this serial No. if the part is not mentioned its own applicable serial No.  
Take the serial No. which includes both of for the part and for all parts described on the page if the part is mentioned its own applicable serial No.  
If the abbreviation "D" is described as headed letter instead of the serial No. it means the produced date of the machine in which the parts are used.  
(EXSAMPLE: D94/01-.....produced on January 1994 and after)  
If the abbreviation "H" is described as headed letter, it means the serial No. of equipment such as PUMP, MOTOR, CONTROL VALVE and etcetera.  
If the abbreviation "F" is described as headed letter, it means the Front No. of front-end attachments such as BUCKET, BOOM, ARM and etcetera.

•ICA                ICA shows the interchangeability between the original and the improved parts. Abbreviations used in this column are as follows.

- I: Part No. in the column of "Replaceable part" can be used instead of this part but not vice versa.
- P: This must not be used for the machine. The part No. in the column "Replaceable part" should be used instead.
- T: Parts Nos. those in the column of "Replaceable part" can be used as an assembly instead of this part.
- Y: This part and the part in the column of "Replaceable part" are interchangeable with each other.

•REPLACEABLE PART

Interchangeable parts Nos. and their required quantity are shown in this column.

NOTE: If interchangeable improved parts are provided for the parts which you may order, the improved parts classified as "I", "P", "T" or "Y" may be supplied.

目次  
CONTENTS

PB-121  
PB-A44

| 部品番号<br>PART NO. | コード<br>CODE | 部 品 名               | PART NAME            | 適用号機<br>SERIAL NO.                 | 頁<br>PAGE |
|------------------|-------------|---------------------|----------------------|------------------------------------|-----------|
| ポンプ              |             |                     | PUMP                 |                                    |           |
| 9121195          | 9121195A    | ポンプ ; ダブル           | PUMP;DOUBLE          |                                    | 001       |
| ++++++           | 9118972A    | ・ポンプ ; ユニット         | ・PUMP;UNIT           |                                    | 003       |
| ++++++           | 9128251A    | ・・センサ ; アンクル        | ・・SENSOR;ANGLE       |                                    | 005       |
| 4276918          | 0450900B    | ・ポンプ ; ギヤ           | ・PUMP;GEAR           |                                    | 007       |
| モータ ; オイル        |             |                     | MOTOR ; OIL          |                                    |           |
| 9120000          | 9120000A    | モータ ; オイル (走行)      | MOTOR;OIL (TRAVEL)   |                                    | 009       |
| 9119999          | 9119999A    | ・バルブ ; ブレーキ         | ・VALVE;BRAKE         |                                    | 011       |
| 9134147          | 9134147A    | ・・バルブ ; リリーフ        | ・・VALVE;RELIEF       |                                    | 013       |
| 9101386          | 9101386A    | ・ピストン ; サーボ         | ・PISTON;SERVO        |                                    | 015       |
| 4255503          | 0425100     | モータ ; オイル (旋回)      | MOTOR;OIL (SWING)    |                                    | 017       |
| バルブ              |             |                     | VALVE                |                                    |           |
| 4327619          | -----       | バルブ ; コントロール        | VALVE;CONTROL        | STD:10001-10053<br>LC :10001-10069 | ---       |
| ++++++           | 0617600     | ・バルブ ; コントロール (1/6) | ・VALVE;CONTROL (1/6) |                                    | 019       |
| ++++++           | 0617700     | ・バルブ ; コントロール (2/6) | ・VALVE;CONTROL (2/6) |                                    | 021       |
| ++++++           | 0617800A    | ・バルブ ; コントロール (3/6) | ・VALVE;CONTROL (3/6) |                                    | 023       |
| ++++++           | 0617900     | ・バルブ ; コントロール (4/6) | ・VALVE;CONTROL (4/6) |                                    | 025       |
| ++++++           | 0618000     | ・バルブ ; コントロール (5/6) | ・VALVE;CONTROL (5/6) |                                    | 027       |
| ++++++           | 0618100     | ・バルブ ; コントロール (6/6) | ・VALVE;CONTROL (6/6) |                                    | 029       |
| 4342876          | -----       | バルブ ; コントロール        | VALVE;CONTROL        | STD:10054-<br>LC :10070-           | ---       |
| ++++++           | 0631700A    | ・バルブ ; コントロール (1/6) | ・VALVE;CONTROL (1/6) |                                    | 031       |
| ++++++           | 0631800A    | ・バルブ ; コントロール (2/6) | ・VALVE;CONTROL (2/6) |                                    | 033       |
| ++++++           | 0631900A    | ・バルブ ; コントロール (3/6) | ・VALVE;CONTROL (3/6) |                                    | 035       |
| ++++++           | 0632000A    | ・バルブ ; コントロール (4/6) | ・VALVE;CONTROL (4/6) |                                    | 037       |
| ++++++           | 0632100A    | ・バルブ ; コントロール (5/6) | ・VALVE;CONTROL (5/6) |                                    | 039       |
| ++++++           | 0632200A    | ・バルブ ; コントロール (6/6) | ・VALVE;CONTROL (6/6) |                                    | 041       |
| 9134232          | 9134232B    | バルブ ; パイロット         | VALVE;PILOT          |                                    | 043       |
| 9101512          | 9101512B    | バルブ ; パイロット         | VALVE;PILOT          |                                    | 045       |
| 9072923          | 9072923E    | バルブ ; パイロット         | VALVE;PILOT          |                                    | 047       |
| 4328003          | 0615300A    | バルブ ; ソレノイド         | VALVE;SOLENOID       |                                    | 049       |
| 4327243          | 0614200A    | バルブ ; フローコントロール     | VALVE;FC             |                                    | 051       |
| 4325812          | 0614100A    | バルブ ; フローコントロール     | VALVE;FC             |                                    | 053       |

| 部品番号<br>PART NO. | コード<br>CODE | 部 品 名                   | PART NAME                       | 通用号機<br>SERIAL NO. | 頁<br>PAGE |
|------------------|-------------|-------------------------|---------------------------------|--------------------|-----------|
| 4254613          | 0408500A    | バルブ ; シャトル              | VALVE;SHUTTLE                   |                    | 055       |
| 4254611          | 0396600B    | バルブ ; ロック               | VALVE;LOCK                      |                    | 057       |
| 4311303          | 0644400     | バルブ ; ホールディング           | VALVE;HOLDING                   |                    | 059       |
| 4311304          | 0644500     | バルブ ; ホールディング           | VALVE;HOLDING                   |                    | 061       |
| 4311305          | 0644600     | バルブ ; ホールディング           | VALVE;HOLDING                   |                    | 063       |
| 4282545          | 0672700     | バルブ ; ロータリ              | VALVE;ROTARY                    |                    | 065       |
| 4288149          | 0437600A    | バルブ                     | VALVE                           |                    | 067       |
| シリンダ             |             |                         | C Y L I N D E R                 |                    |           |
| 9101315          | 9101315A    | シリンダ ; ブーム (右)          | CYL.;BOOM (R)                   | 10001-D96/05       | 069       |
| 9101315          | 9101315B    | シリンダ ; ブーム (右)          | CYL.;BOOM (R)                   | D96/06-            | 071       |
| 9101316          | 9101316A    | シリンダ ; ブーム (左)          | CYL.;BOOM (L)                   | 10001-D96/05       | 073       |
| 9101316          | 9101316B    | シリンダ ; ブーム (左)          | CYL.;BOOM (L)                   | D96/06-            | 075       |
| 9101317          | 9101317A    | シリンダ ; アーム              | CYL.;ARM                        | 10001-D96/05       | 077       |
| 9101317          | 9101317B    | シリンダ ; アーム              | CYL.;ARM                        | D96/06-            | 079       |
| 4308225          | 0492200A    | シリンダ ; アーム (ス-パ°-ロツク°)  | CYL.;ARM (RIVER MAINTENANCE)    |                    | 081       |
| 9101318          | 9101318A    | シリンダ ; バケット             | CYL.;BUCKET                     | 10001-D96/05       | 083       |
| 9101318          | 9101318B    | シリンダ ; バケット             | CYL.;BUCKET                     | D96/06-            | 085       |
| 4287889          | 0437000A    | シリンダ ; バケット (ス-パ°-ロツク°) | CYL.;BUCKET (RIVER MAINTENANCE) |                    | 087       |
| その他              |             |                         | E T C .                         |                    |           |
| 9101532          | 9101532B    | センサー ; DP               | SENSOR;DP                       |                    | 089       |
| 索 引              |             |                         | P A R T S I N D E X             |                    | 091       |



**Suggest:**

**For more complete manuals. Please go to the home page.**

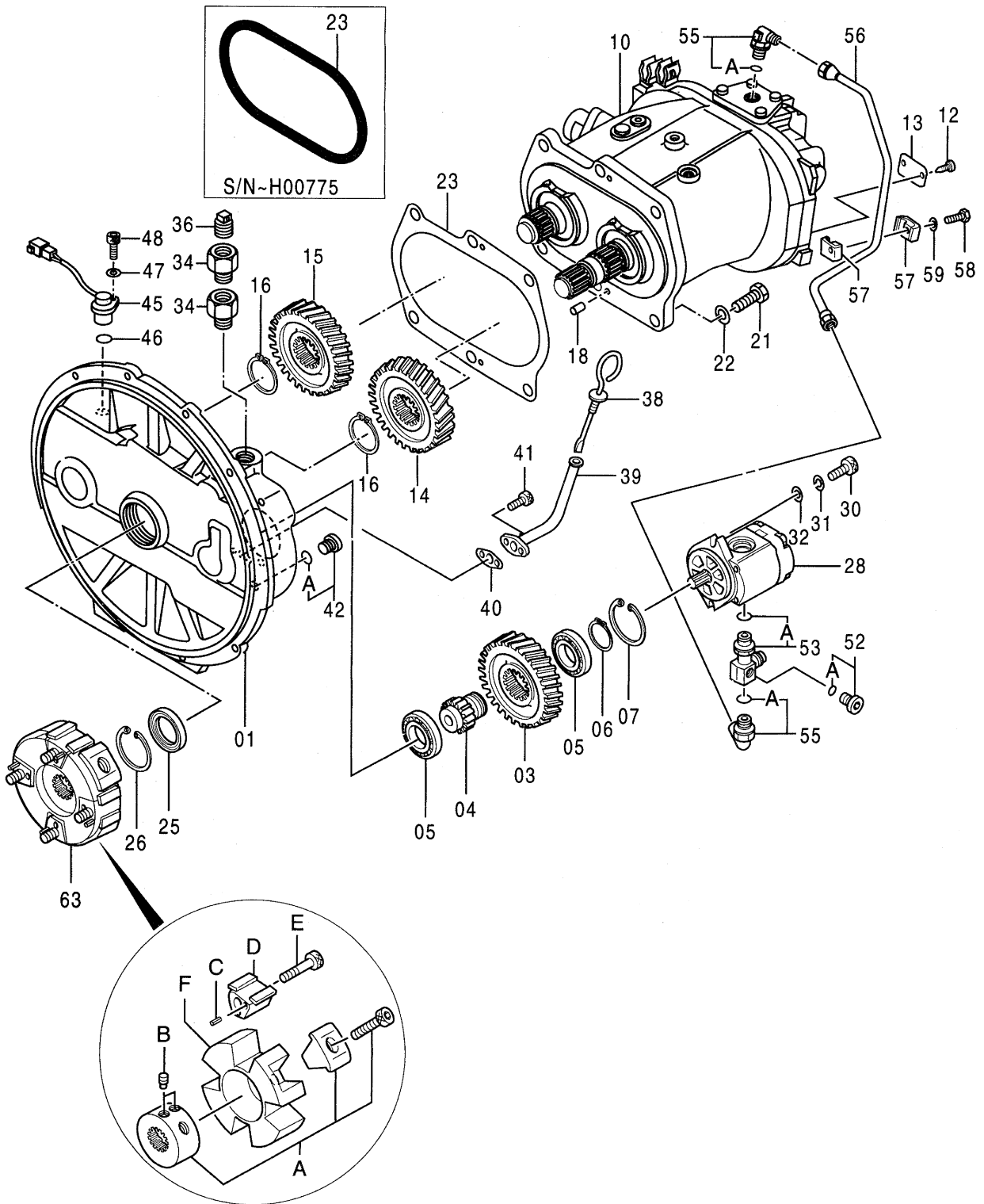
**<https://www.ebooklibonline.com>**

**If the above button click is invalid. Please download this document first, and then click the above link to download the complete manual.**

**Thank you so much for reading**

001A

ポンプ ; ダブル  
PUMP ; DOUBLE



9121195A

ポンプ;ダブル  
PUMP;DOUBLE

10001-

| 符号<br>ITEM | 部品番号<br>PART NO. | 部品名<br>PART NAME                         | コード<br>CODE | 数量<br>QTY | サービス<br>コード<br>S.C | 適用号機<br>SERIAL NO. | 互換性<br>ICA | 代替部品<br>REPLACEABLE<br>PART |           |
|------------|------------------|--|-------------|-----------|--------------------|--------------------|------------|-----------------------------|-----------|
|            |                  |  |             |           |                    |                    |            | 部品番号<br>PART NO.            | 数量<br>QTY |
|            | 9121195          | PUMP;DOUBLE<br><for assembly of machine> | 9121195A    | 1         |                    |                    | I          | 9133569                     | 1         |
|            | (9133569)        | PUMP;DOUBLE<br><for transportation>      |             | 1         | S                  |                    |            |                             |           |
| 01         | 1018921          | ・CASING;GEAR                             |             | 1         |                    | -H775              | T          | 1020527                     | 1         |
|            |                  |  |             |           |                    |                    |            | 8058352                     | 1         |
| 01         | 1020527          | ・CASING;GEAR                             |             | 1         | #                  | H776-              |            |                             |           |
| 03         | 3063840          | ・GEAR;PILOT                              |             | 1         |                    |                    |            |                             |           |
| 04         | 3055594          | ・SHAFT;GEAR                              |             | 1         |                    |                    |            |                             |           |
| 05         | 958740           | ・BRG.;BALL                               |             | 2         |                    |                    |            |                             |           |
| 06         | 962002           | ・RING;RETAINING                          |             | 1         |                    |                    |            |                             |           |
| 07         | 991725           | ・RING;RETAINING                          |             | 1         |                    |                    |            |                             |           |
| 10         | +++++            | ・PUMP;UNIT                               | 9118972A    | 1         | D                  |                    |            |                             |           |
| 12         | M492564          | ・SCREW;DRIVE                             |             | 2         |                    |                    |            |                             |           |
| 13         | 3069414          | ・NAME-PLATE                              |             | 1         |                    |                    |            |                             |           |
| 14         | 3063842          | ・GEAR                                    |             | 1         |                    |                    |            |                             |           |
| 15         | 3063843          | ・GEAR                                    |             | 1         |                    |                    |            |                             |           |
| 16         | 4274552          | ・RING;RETAINING                          |             | 2         |                    |                    |            |                             |           |
| 18         | 4099290          | ・PIN;SPRING                              |             | 2         |                    |                    |            |                             |           |
| 21         | M211645          | ・BOLT                                    |             | 6         |                    |                    |            |                             |           |
| 22         | A590916          | ・WASHER;SPRING                           |             | 6         |                    |                    |            |                             |           |
| 23         | 4317619          | ・O-RING                                  |             | 1         |                    | -H775              |            |                             |           |
| 23         | 8058352          | ・PACKING                                 |             | 1         | #                  | H776-              |            |                             |           |
| 25         | 4310055          | ・SEAL;OIL                                |             | 1         |                    |                    |            |                             |           |
| 26         | 991725           | ・RING;RETAINING                          |             | 1         |                    |                    |            |                             |           |
| 28         | 4276918          | ・PUMP;GEAR                               | 0450900B    | 1         |                    |                    |            |                             |           |
| 30         | M341028          | ・BOLT;SOCKET                             |             | 2         |                    |                    |            |                             |           |
| 31         | 984054           | ・WASHER;SPRING                           |             | 2         |                    |                    |            |                             |           |
| 32         | 4114402          | ・WASHER                                  |             | 2         |                    |                    |            |                             |           |
| 34         | 4317633          | ・ADAPTER                                 |             | 2         |                    |                    |            |                             |           |
| 36         | 4234782          | ・PLUG                                    |             | 1         |                    |                    |            |                             |           |
| 38         | 4242263          | ・GAUGE;LEVEL                             |             | 1         |                    | -H128              | I          | 4340855                     | 1         |
| 38         | 4340855          | ・GAUGE;LEVEL                             |             | 1         |                    | H129-              |            |                             |           |
| 39         | 9736788          | ・PIPE                                    |             | 1         |                    |                    |            |                             |           |
| 40         | 4243160          | ・PACKING                                 |             | 1         |                    | -H817              | Y          | 9742779                     | 1         |
| 40         | 9742779          | ・PACKING                                 |             | 1         | #                  | H818-              |            |                             |           |
| 41         | M340816          | ・BOLT;SOCKET                             |             | 2         |                    |                    |            |                             |           |
| 42         | 9134111          | ・PLUG                                    |             | 1         |                    |                    |            |                             |           |
| 42A        | 4509180          | ・O-RING                                  |             | 1         |                    |                    |            |                             |           |
| 45         | 4265372          | ・SENSOR;REVOL.                           |             | 1         |                    |                    |            |                             |           |

P15D-E1-3

**<https://www.ebooklibonline.com>**

Hello dear friend!

Thank you very much for reading.

Enter the link into your browser.

The full manual is available for immediate download.

**<https://www.ebooklibonline.com>**