

PART NO.
EPI4M-EI-4
(海外版)

PARTS CATALOG

EX200-5

EX200LC-5

EX210H-5

EX210LCH-5

EQUIPMENT COMPONENTS PARTS

Serial No. 050001~

HITACHI

適用製番 MACHINE Mfg. No.	
エンジン型式 ENGINE TYPE	
エンジン製番 ENGINE Mfg. No.	
備考 REMARKS	

FOREWORD

- ◎ This parts catalog shows the precision parts of EX200-5, EX200LC-5, EX210H-5, EX210LCH-5 Hydraulic Excavator.
The numerical parts No. index is provided at the end of this parts catalog.
In the parts index, a part No. with "*" mark shows a newly added part on the parts catalog.
- ◎ This parts catalog contains the most recent information available at the time of printing, and the contents of the list are based on information in effect at that time and are subject to change without notice.
- ◎ The references in the parts catalog of "LEFT", "RIGHT", "FRONT", and "REAR" are identified as follows.
The driver's seat is positioned "LEFT" side, and the opposite side is "RIGHT".
The front-end attachments is at the "FRONT". The counterweight is attached at the "REAR".
For the undercarriage, the travel motor is at the "REAR", and the opposite is "FRONT".

1. HOW TO ORDER PARTS

When ordering parts, Please specify the following items as shown in the following example.

(EXAMPLE)		
(1) Model/type	(EX200-5)	} Shown on NAME-PLATE provided on MAIN FRAME on the lower right side of CAB
(2) Product Identification Number	(14MP050001)	
(3) Part No.	(A810165)	} Ordering Parts
(4) Part Name	(O-RING)	
(5) Q'ty	(2)	Ordering Q'ty
(6) Purchaser's Name and Address		

2. HOW TO USE THIS PARTS CATALOG

- ITEM Item No. shows the reference No. on the machine illustration.
- PART NO. Part No. consists of a letter of the alphabet and numerical, or numerical only.
- PART NAME Components of an assembly part are shown with "." marks and are shown on the line, or lines, below the assembly part. Also, if the component with "." mark consists of further components part, these further components are shown by the marks "...".

<https://www.ebooklibonline.com>

Hello dear friend!

Thank you very much for reading.

Enter the link into your browser.

The full manual is available for immediate download.

<https://www.ebooklibonline.com>

·Q'TY Q'ty shows the quantity used for a particular single hydraulic unit, however quantity of components shows the quantity for one assembly part.

·SERVICE CODE Abbreviations in the column of service code have their own meaning as shown below.

W: The part with this abbreviation shows that the part requires some work on it before installing in the machine.

D: The part with this abbreviation is a component of an assembly and is not available independently. The assembly part containing this part should be ordered.

K: This means that the part is contained in the service parts kit.

R: The part with this abbreviation shows that the quantity of the part is changed depending upon the machine, such as an adjusting shim etceteras.

S: This part is specially provided as a service part, which was not provided in the machine before from shipping the factory.

OP: Optional parts

OS: Over-sized parts

US: Under-sized parts

(NOTE: Part with abbreviation "OS" or "US" is described on the line below the standard-sized part.)

#: The part with this mark is newly added on that page of the equipment.

·SERIAL No. The machine serial number is printed just above the SERIAL No. column on all parts list pages.

[The serial number corresponds to the figures following the letter P in the PIN (Product Identification Number) on the name-plate.]

This serial number indicates the machine serial number applicable to the group unit (or component) described on this page.

When parts are modified, both the old and new parts are shown in the parts catalog with the applicable machine serial numbers in the SERIAL No. column.

Be sure to check that the your machine serial number is included in the range of the serial numbers shown above or in the SERIAL No. column when selecting parts.

Descriptions starting with letter D indicate the date when the part was replaced. (Example: "D96/01-" means that this part was replaced January '96.)

Descriptions starting with letter H indicate the component manufacturing No. stamped on the component manufacturing No. plate.

Description stating with letter F indicate the Front attachment manufacturing No. stamped on the front attachment manufacturing No. plate.

The letter H or F is used to identify the component or front attachment manufacturing No. from the machine serial number.

·ICA ICA shows the interchangeability between the original and the improved parts. Abbreviations used in this column are as follows.

I: Part No. in the column of "Replaceable part" can be used instead of this part but not vice versa.

- P: This must not be used for the machine. The part No. in the column "Replaceable part" should be used instead.
- T: Parts Nos. those in the column of "Replaceable part" can be used as an assembly instead of this part.
- Y: This part and the part in the column of "Replaceable part" are interchangeable with each other.

•REPLACEABLE PART

Interchangeable parts Nos. and their required quantity are shown in this column.

NOTE: If interchangeable improved parts are provided for the parts which you may order, the improved parts classified as "I", "P", "T" or "Y" may be supplied.

目 次
CONTENTS

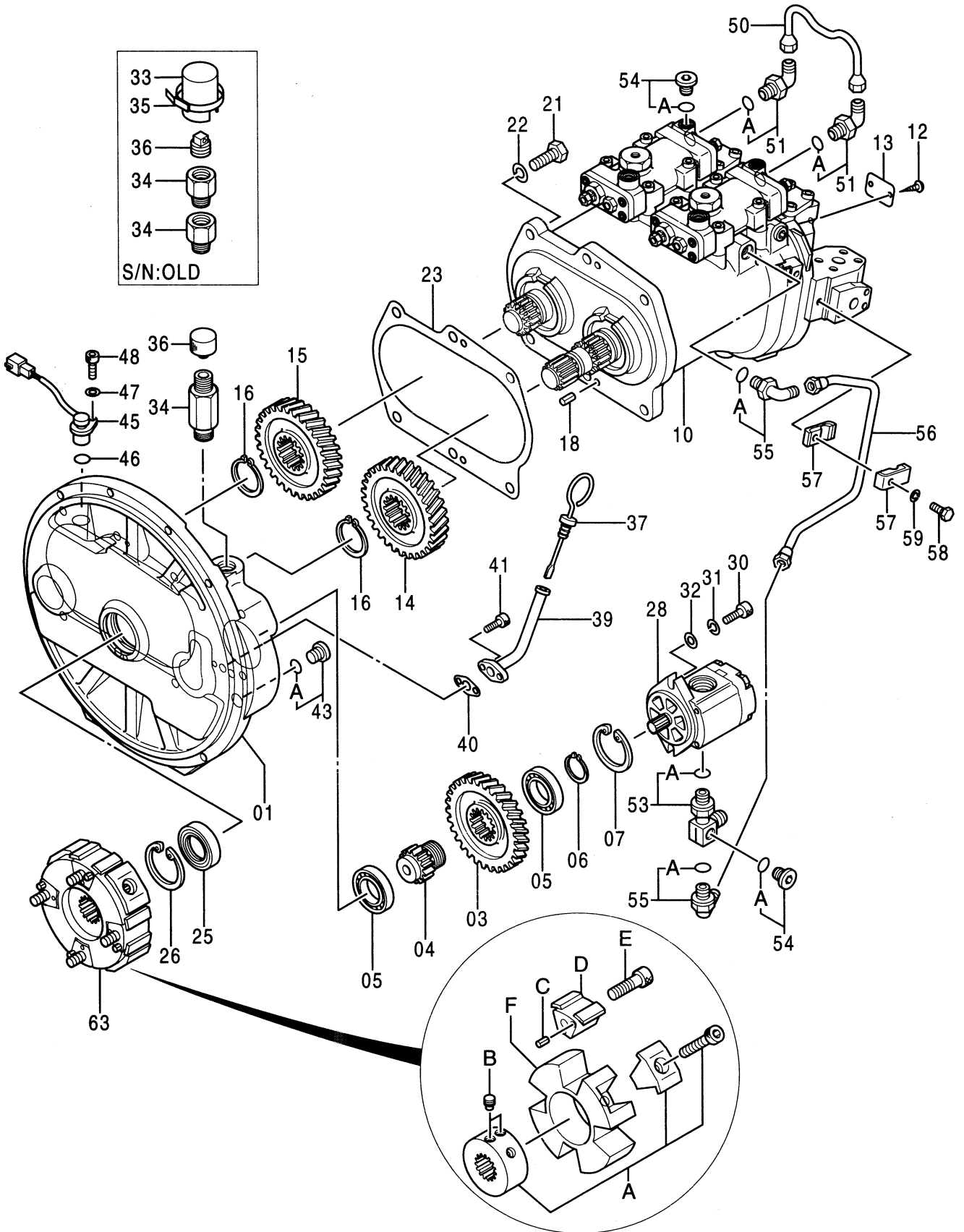
PB-191
PB-A04
CONTROL-1156

部品番号 PART NO.	コード CODE	部 品 名	PART NAME	適用号機 SERIAL NO.	頁 PAGE
ポンプ			PUMP		
9150726	9150726A	ポンプ装置	PUMP DEVICE		001
+++++++	9150727	・ポンプ;ユニット	・PUMP;UNIT		003
9150728	9150728	・レギュレータ	・REGULATOR		005
4276918	0450900B	・ポンプ;ギヤ	・PUMP;GEAR		007
4278696	0451400A	ポンプ;ギヤ	PUMP;GEAR		009
モータ;オイル			MOTOR;OIL		
4330222	0667600A	モータ;オイル (旋回)	MOTOR;OIL (SWING)		011
9146471	9146471	モータ;オイル (走行)	MOTOR;OIL (TRAVEL)		013
9145186	9145186	・バルブ;ブレーキ	・VALVE;BRAKE		015
9134147	9134147A	・バルブ;リリーフ	・VALVE;RELIEF		017
9130524	9130524	・ピストン;サーボ	・PISTON;SERVO		019
バルブ			VALVE		
4366959	-----	バルブ;コントロール	VALVE;CONTROL		---
+++++++	0672800B	・バルブ;コントロール (1/5)	・VALVE;CONTROL (1/5)		021
+++++++	0672900A	・バルブ;コントロール (2/5)	・VALVE;CONTROL (2/5)		023
+++++++	0673000B	・バルブ;コントロール (3/5)	・VALVE;CONTROL (3/5)		025
+++++++	0673100A	・バルブ;コントロール (4/5)	・VALVE;CONTROL (4/5)		027
+++++++	0673200A	・バルブ;コントロール (5/5)	・VALVE;CONTROL (5/5)		029
9149232	9149232A	バルブ;パイロット (フロント, 旋回)	VALVE;PILOT (FRONT & SWING)	050001-050095	031
9156581	9156581A	バルブ;パイロット (フロント, 旋回)	VALVE;PILOT (FRONT & SWING)	050096-	033
9149233	9149233	バルブ;パイロット (走行)	VALVE;PILOT (TRAVEL)	200, LC : 050001-083346 210H, LCH : 050001-083344	035
9151777	9151777	バルブ;パイロット (走行)	VALVE;PILOT (TRAVEL)	200, LC : 083347- 210H, LCH : 083345-	037
9137384	9137384	バルブ;パイロット	VALVE;PILOT		039
4367132	0672400A	バルブ;フロウコントロール	VALVE;FC		041
4350150	0661800	バルブ;ソレノイド	VALVE;SOLENOID		043
4351142	0670500	バルブ;リリーフ	VALVE;RELIEF		045
9075046	9075046B	バルブ;スローリターン	VALVE;SLOW-RETURN		047

部品番号 PART NO.	コード CODE	部 品 名	PART NAME	適用号機 SERIAL NO.	頁 PAGE
4372037	0671400	バルブ;スローリターン	VALVE;SLOW-RETURN		049
4334827	0668300	バルブ;ロック	VALVE;LOCK		051
4311303	0644400	バルブ;ホールディング	VALVE;HOLDING		053
		シリンダ	CYLINDER		
4317393	0667200	シリンダ;ブーム (右) [STD] [AUS]	CYL.;BOOM (R) [STD] [AUS]		055
4372912	0679400	シリンダ;ブーム (右) [USA]	CYL.;BOOM (R) [USA]		057
4317394	0667300	シリンダ;ブーム (左) [STD] [ASU]	CYL.;BOOM (L) [STD] [AUS]		059
4372913	0679500	シリンダ;ブーム (左) [USA]	CYL.;BOOM (L) [USA]		061
4316930	0667400	シリンダ;アーム [STD] [AUS]	CYL.;ARM [STD] [AUS]		063
4372914	0679600	シリンダ;アーム [USA]	CYL.;ARM [USA]		065
4318327	0667500	シリンダ;バケット [STD] [AUS]	CYL.;BUCKET [STD] [AUS]		067
4372915	0679700	シリンダ;バケット [USA]	CYL.;BUCKET [USA]		069
4371061	0671500A	シリンダ;バケット (スーパーロング)	CYL.;BUCKET (RIVER MAINTENANCE)		071
4288743	0496700A	シリンダ;クラムシェル	CYL.;CLAMSHELL		073
索引			PARTS INDEX		075

001A

ポンプ装置 PUMP DEVICE



9150726A

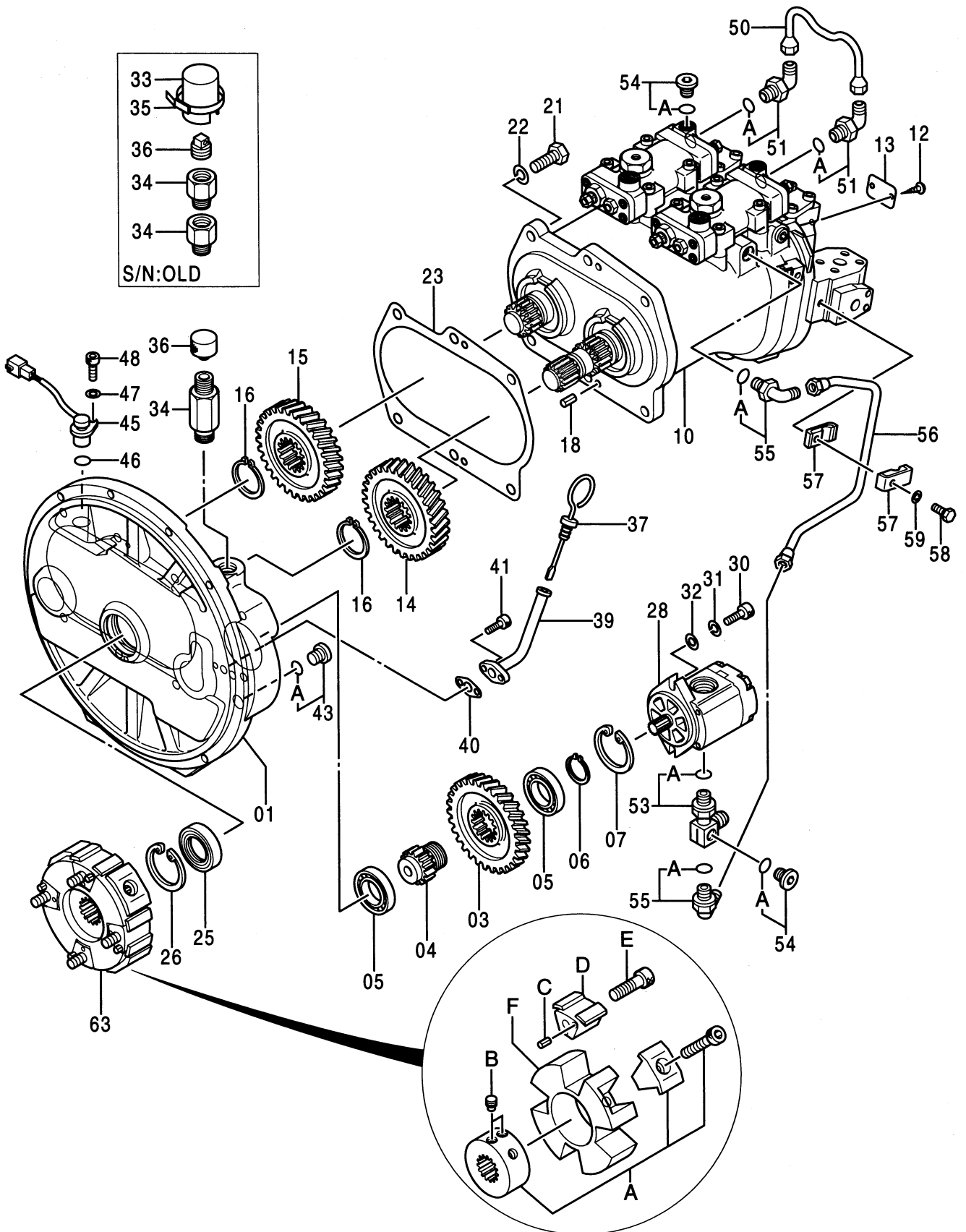
ポンプ装置
PUMP DEVICE

050001-

符号 ITEM	部品番号 PART NO.	部品名 PART NAME	コード CODE	数量 Q' TY	サービス コード S. C	適用号機 SERIAL NO.	互換性 ICA	代替部品 REPLACEABLE PART	
								部品番号 PART NO.	数量 Q' TY
	9150726	PUMP DEVICE <for assembly of machine>	9150726A	1			I	9152668	1
	(9152668)	PUMP DEVICE <for transportation>		1	S				
01	1020336	・CASING;GEAR		1					
03	3063840	・GEAR;PILOT		1					
04	3055594	・SHAFT;GEAR		1					
05	958740	・BRG.;BALL		2					
06	962002	・RING;RETAINING		1					
07	991725	・RING;RETAINING		1					
10	+++++	・PUMP;UNIT	9150727	1	D				
12	M492564	・SCREW;DRIVE		2					
13	3075798	・NAME-PLATE		1					
14	3063842	・GEAR		1					
15	3063843	・GEAR		1					
16	4274552	・RING;RETAINING		2					
18	4099290	・PIN;SPRING		2					
21	J901645	・BOLT		6					
22	A590916	・WASHER;SPRING		6					
23	8058352	・PACKING		1					
25	4310055	・SEAL;OIL		1					
26	991725	・RING;RETAINING		1					
28	4276918	・PUMP;GEAR	0450900B	1					
30	M341028	・BOLT;SOCKET		2					
31	984054	・WASHER;SPRING		2					
32	4114402	・WASHER		2					
33	4277223	・CAP		1					-H710
34	4317633	・ADAPTER		2					-H710
34	4379209	・ADAPTER		1					H711-
35	4055312	・CLIP;BAND		1					-H710
36	4234782	・PLUG		1					-H710
36	4379582	・CAP		1					H711-
37	4340855	・GAUGE;LEVEL		1					
39	9743977	・PIPE		1					
40	9742779	・PACKING		1					
41	M340816	・BOLT;SOCKET		2					
43	9134111	・PLUG		1					
43A	4509180	・O-RING		1					
45	4265372	・SENSOR;REVOL.		1					
46	4306888	・O-RING		1					

001B

ポンプ装置 PUMP DEVICE





Suggest:

For more complete manuals. Please go to the home page.

<https://www.ebooklibonline.com>

If the above button click is invalid. Please download this document first, and then click the above link to download the complete manual.

Thank you so much for reading

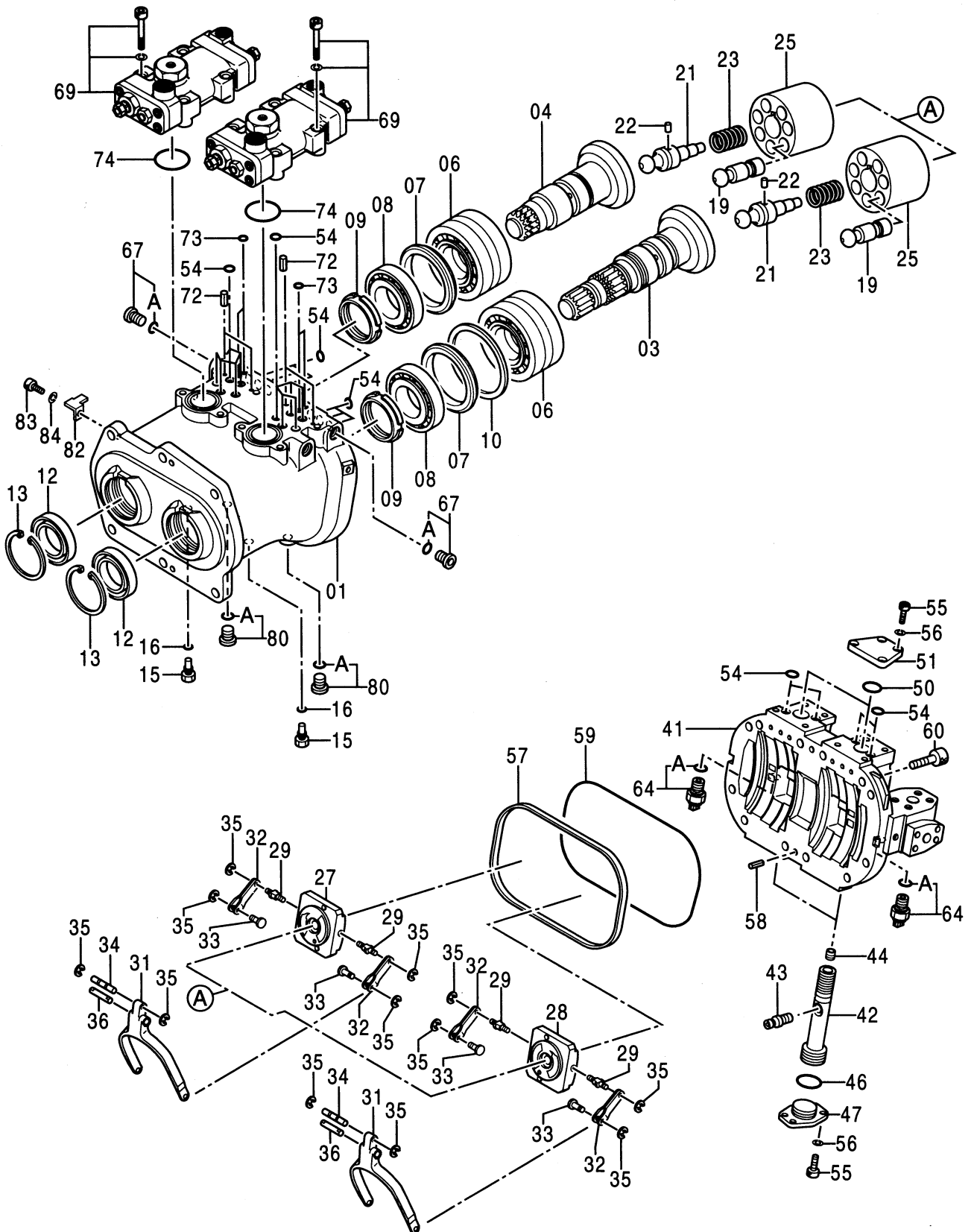
ポンプ装置
PUMP DEVICE

050001-

符号 ITEM	部品番号 PART NO.	部品名 PART NAME	コード CODE	数量 Q' TY	サービス コード S. C	適用号機 SERIAL NO.	互換性 I CA	代替部品 REPLACEABLE PART	
								部品番号 PART NO.	数量 Q' TY
47	A590106	・WASHER; PLANE		1					
48	M340616	・BOLT; SOCKET		1					
50	4369148	・PIPE; E		1					
51	4179837	・FITTING; PIPE		2		-H05718	Y	4293950	2
51	4293950	・ELBOW; S		2	#	H05719-			
51A	957366	・・O-RING		1					
53	4278547	・ADAPTER		1					
53A	4506418	・・O-RING		1					
54	9134110	・PLUG		2					
54A	957366	・・O-RING		1					
55	4179837	・FITTING; PIPE		2		-H05718	Y	4293950	2
55	4293950	・ELBOW; S		2	#	H05719-			
55A	957366	・・O-RING		1					
56	3071564	・PIPE		1					
57	9736515	・CLAMP		2					
58	J900830	・BOLT		1					
59	A590908	・WASHER; SPRING		1					
63	4310056	・COUPLING		1					
63A	4340960	・・HUB		1					
63B	4334899	・・SCREW; SET		2					
63C	4101345	・・PIN; SPRING		4					
63D	4334892	・・INSERT		4					
63E	4334894	・・BOLT; SOCKET		4					
63F	4334891	・・ELEMENT		1					

003A

ポンプ ; エット
PUMP ; UNIT



<https://www.ebooklibonline.com>

Hello dear friend!

Thank you very much for reading.

Enter the link into your browser.

The full manual is available for immediate download.

<https://www.ebooklibonline.com>