

編 番  
PART NO.  
P147-EI-4

# PARTS CATALOG

## パーツカタログ

# EX200-2

# EX200LC-2

### EQUIPMENT COMPONENTS PARTS

### 機器インナーパーツ

適用号機 60001~  
Serial No.

# HITACHI

## FOREWORD

- ◎ This parts catalog shows the precision parts of EX200-2 and EX200LC-2 Hydraulic Excavator. The numerical parts No. index is provided at the end of this parts catalog. In the parts index, a part No. with "\*" mark shows a newly added part on the parts catalog.
- ◎ This parts catalog contains the most recent information available at the time of printing, and the contents of the list are based on information in effect at that time and are subject to change without notice.
- ◎ The references in the parts catalog of "LEFT", "RIGHT", "FRONT" and "REAR" are identified as follows.  
The driver's seat is positioned "LEFT" side, and the opposite side is "RIGHT".  
The front-end attachments is at the "FRONT". The counterweight is attached at the "REAR".  
For the undercarriage, the travel motor is at the "REAR", and the opposite is "FRONT".

### 1. HOW TO ORDER PARTS

When ordering parts, Please specify the following items as shown in the following example.

	(EXAMPLE)		
(1) Model of Machine	(EX200-2)	}	Shown on NAME-PLATE provided on MAIN FRAME on the lower right side of CAB
(2) Machine Serial No.	(147-60001)		
(3) Part No.	(A810165)	}	Ordering Parts
(4) Part Name	(O-RING)		
(5) Q'ty	(2)		Ordering Q'ty
(6) Purchaser's Name and Address			

### 2. HOW TO USE THIS PARTS CATALOG

- ITEM           Item No. shows the reference No. on the machine illustration.
- PART NO.       Part No. consists of a letter of the alphabet and numerals, or numerals only.
- PART NAME      Components of an assembly part are shown with "." marks and are shown on the line, or lines, below the assembly part. Also, if the component with "." mark consists of further components part, these further components are shown by the marks "...".

Q'TY Q'ty shows the quantity used for a particular single hydraulic unit, however quantity of components shows the quantity for one assembly part.

SERVICE CODE Abbreviations in the column of service code have their own meaning as shown below.

- W: The part with this abbreviation shows that the part requires some work on it before installing in the machine.
- D: The part with this abbreviation is a component of an assembly and is not available independently. The assembly part containing this part should be ordered.
- K: This means that the part is contained in the service parts kit.
- R: The part with this abbreviation shows that the quantity of the part is changed depending upon the machine, such as an adjusting shim etcetera.
- S: This part is specially provided as a service part, which was not provided in the machine before from shipping the factory.
- OP: Optional parts
- OS: Over-sized parts
- US: Under-sized parts  
(NOTE: Part with abbreviation "OS" or "US" is described on the line below the standard-sized part.)
- #: The part with this mark is newly added on that page of the equipment.

SERIAL No. Applicable machine serial No. for the part is shown in this column. Further, above this column, the applicable serial No. is shown for all parts described on that page. Take this serial No. if the part is not mentioned its own applicable serial No. Take the serial No. which includes both of for the part and for all parts described on the page if the part is mentioned its own applicable serial No. If the abbreviation "D" is described as headed letter instead of the serial No. it means the produced date of the machine in which the parts are used. (EXAMPLE: D90/10-.....produced on October 1990 and after) If the abbreviation "H" is described as headed letter, it means the serial No. of equipment such as PUMP, MOTOR, CONTROL VALVE and etcetera. If the abbreviation "F" is described as headed letter, it means the Front No. of front-end attachments such as BUCKET, BOOM, ARM and etcetera.

ICA ICA shows the interchangeability between the original and the improved parts. Abbreviations used in this column are as follows.

- I: Part No. in the column of "Replaceable part" can be used instead of this part but not vice versa.
- P: This must not be used for the machine. The part No. in the column "Replaceable part" should be used instead.
- T: Parts Nos. those in the column of "Replaceable part" can be used as an assembly instead of this part.
- Y: This part and the part in the column of "Replaceable part" are interchangeable with each other.

**<https://www.ebooklibonline.com>**

Hello dear friend!

Thank you very much for reading.

Enter the link into your browser.

The full manual is available for immediate download.

**<https://www.ebooklibonline.com>**

·REPLACEABLE PART

Interchangeable parts Nos. and their required quantity are shown in this column.

NOTE: If interchangeable improved parts are provided for the parts which you may order, the improved parts classified as "I", "P", "T" or "Y" may be supplied.

目次  
CONTENTSPB-268  
PB-A39

部品番号 PART NO.	コード CODE	部品名	PART NAME	通用号機 SERIAL NO.	頁 PAGE
ポンプ			PUMP		
9101528	-----	ポンプ;ダブル	PUMP;DOUBLE	60001-H15730	---
+++++++	9101528B1	・ポンプ;ダブル (1/2)	・PUMP;DOUBLE (1/2)	60001-H15730	001
+++++++	9101528B2	・ポンプ;ダブル (2/2)	・PUMP;DOUBLE (2/2)	60001-H15730	003
4255303	0408200	・・ポンプ;ギヤ	・・PUMP;GEAR		005
+++++++	9101533	・・センサ;アングル	・・SENSOR;ANGLE	60001-H12197	007
+++++++	9128251	・・センサ;アングル	・・SENSOR;ANGLE	H12198-	009
9135950	-----	ポンプ;ダブル	PUMP;DOUBLE	H15731-	---
+++++++	9135950A1	・ポンプ;ダブル (1/2)	・PUMP;DOUBLE (1/2)	H15731-	011
+++++++	9135950A2	・ポンプ;ダブル (2/2)	・PUMP;DOUBLE (2/2)	H15731-	013
4255303	0408200	・・ポンプ;ギヤ	・・PUMP;GEAR		(005)
+++++++	9128251	・・センサ;アングル	・・SENSOR;ANGLE		(009)
モータ;オイル			MOTOR;OIL		
9101523	9101523A	モータ;オイル (走行)	MOTOR;OIL (TRAVEL)	60001-H04489	015
9101524	9101524A	・バルブ;ブレーキ	・VALVE;BRAKE	60001-H04489	017
9102256	9102256	・・バルブ;リリーフ	・・VALVE;RELIEF	60001-H04489	019
9101386	9101386	・ピストン;サーボ	・PISTON;SERVO		021
9116388	9116388	モータ;オイル (走行)	MOTOR;OIL (TRAVEL)	H04490-H09437	023
9116389	9116389	・バルブ;ブレーキ	・VALVE;BRAKE	H04490-H09437	025
9114686	9114686	・・バルブ;リリーフ	・・VALVE;RELIEF	H04490-H09437	027
9101386	9101386	・ピストン;サーボ	・PISTON;SERVO		(021)
9116390	9116390	モータ;オイル (走行)	MOTOR;OIL (TRAVEL)	H09438-	029
9116391	9116391	・バルブ;ブレーキ	・VALVE;BRAKE	H09438-	031
9115733	9115733	・・バルブ;リリーフ	・・VALVE;RELIEF	H09438-	033
9101386	9101386	・ピストン;サーボ	・PISTON;SERVO		(021)
4247870	0409200A	モータ;オイル (旋回)	MOTOR;OIL (SWING)		035
バルブ			VALVE		
4254673	-----	バルブ;コントロール	VALVE;CONTROL	STD:60001-65165 LC:60001-65332	---
+++++++	0413500	・バルブ;コントロール (1/6)	・VALVE;CONTROL (1/6)		037
+++++++	0413600	・バルブ;コントロール (2/6)	・VALVE;CONTROL (2/6)		039
+++++++	0413700	・バルブ;コントロール (3/6)	・VALVE;CONTROL (3/6)		041
+++++++	0413800	・バルブ;コントロール (4/6)	・VALVE;CONTROL (4/6)		043
+++++++	0413900	・バルブ;コントロール (5/6)	・VALVE;CONTROL (5/6)		045
+++++++	0414000	・バルブ;コントロール (6/6)	・VALVE;CONTROL (6/6)		047

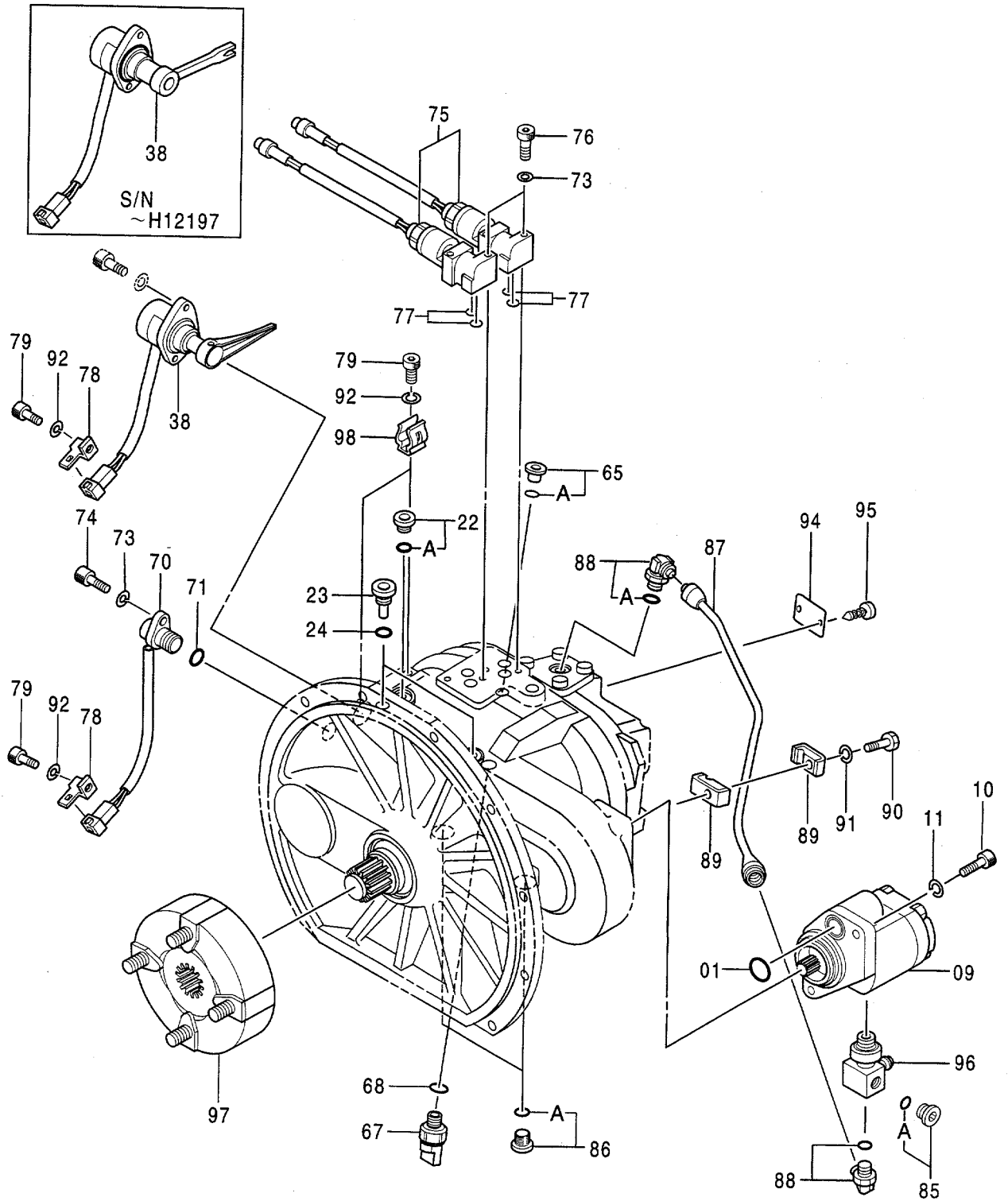
部品番号 PART NO.	コード CODE	部 品 名	PART NAME	適用号機 SERIAL NO.	頁 PAGE
4299958	-----	バルブ ; コントロール	VALVE;CONTROL	STD:65166-69325 LC :65333-69475	---
+++++++	0490100	・バルブ ; コントロール (1/6)	・VALVE;CONTROL (1/6)		049
+++++++	0490200	・バルブ ; コントロール (2/6)	・VALVE;CONTROL (2/6)		051
+++++++	0490300	・バルブ ; コントロール (3/6)	・VALVE;CONTROL (3/6)		053
+++++++	0490400	・バルブ ; コントロール (4/6)	・VALVE;CONTROL (4/6)		055
+++++++	0490500	・バルブ ; コントロール (5/6)	・VALVE;CONTROL (5/6)		057
+++++++	0490600	・バルブ ; コントロール (6/6)	・VALVE;CONTROL (6/6)		059
4322812	-----	バルブ ; コントロール	VALVE;CONTROL	STD:69326- LC :69476-	---
+++++++	0445500	・バルブ ; コントロール (1/6)	・VALVE;CONTROL (1/6)		061
+++++++	0445600	・バルブ ; コントロール (2/6)	・VALVE;CONTROL (2/6)		063
+++++++	0445700	・バルブ ; コントロール (3/6)	・VALVE;CONTROL (3/6)		065
+++++++	0445800	・バルブ ; コントロール (4/6)	・VALVE;CONTROL (4/6)		067
+++++++	0446100	・バルブ ; コントロール (5/6)	・VALVE;CONTROL (5/6)		069
+++++++	0446200	・バルブ ; コントロール (6/6)	・VALVE;CONTROL (6/6)		071
9101511	9101511A	バルブ ; パイロット	VALVE;PILOT		073
9101512	9101512A	バルブ ; パイロット	VALVE;PILOT		075
9072923	9072923D	バルブ ; パイロット	VALVE;PILOT		077
4254647	0412600A	バルブ ; ソレノイド	VALVE;SOLENOID	STD:60001-65165 LC :60001-65332	079
4299959	0474400	バルブ ; ソレノイド	VALVE;SOLENOID	STD:65166- LC :65333-	081
4276716	0409300	バルブ ; フロウコントロール	VALVE;FC.	STD:60001-65165 LC :60001-65332	083
4304462	0654400	バルブ ; フロウコントロール	VALVE;FC.	STD:65166- LC :65333-	085
4254613	0408500	バルブ ; シャトル	VALVE;SHUTTLE		087
4254612	0408600	バルブ ; シャトル	VALVE;SHUTTLE		089
4254611	0396600A	バルブ ; ロック	VALVE;LOCK		091
4263928	0498800	バルブ ; ホールディング (2型)	VALVE;HOLDING (Type 2)		093
4324747	0499100	・バルブ ; リリーフ	・VALVE;RELIEF		095
4263929	0498900	バルブ ; ホールディング (2型)	VALVE;HOLDING (Type 2)		097
4324747	0499100	・バルブ ; リリーフ	・VALVE;RELIEF		(095)
4263930	0499000	バルブ ; ホールディング (2型)	VALVE;HOLDING (Type 2)		099
4324747	0499100	・バルブ ; リリーフ	・VALVE;RELIEF		(095)
4311303	0644400	バルブ ; ホールディング (3型)	VALVE;HOLDING (Type 3)		101
4311304	0644500	バルブ ; ホールディング (3型)	VALVE;HOLDING (Type 3)		103
4311305	0644600	バルブ ; ホールディング (3型)	VALVE;HOLDING (Type 3)		105
4282546	0437500	バルブ	VALVE		107

部品番号 PART NO.	コード CODE	部品名	PART NAME	適用号機 SERIAL NO.	頁 PAGE
シリンダ			CYLINDER		
4250223	0409700A	シリンダ;ブーム(右)	CYL.;BOOM(R)		109
4250224	0409800A	シリンダ;ブーム(左)	CYL.;BOOM(L)		111
4250226	0409900	シリンダ;アーム	CYL.;ARM	60001-D92/01	113
4314778	0481800A	シリンダ;アーム	CYL.;ARM	D92/02-	115
4250225	0410000	シリンダ;バケット	CYL.;BUCKET		117
4287889	0437000	シリンダ;バケット(ス-ハ'-Dソグ)	CYL.;BUCKET(RIVER MAINTENANCE)		119
4288743	0496700	シリンダ;クラムシェル	CYL.;CLAMSHELL		121
4305528	0481900	シリンダ;ローリング	CYL.;ROLLING	65612-	123
その他			E T C.		
9101532	9101532A	センサ;DP	SENSOR;DP		125
索引			PARTS INDEX		127

001A

ポンプ ;ダブル (1/2)

PUMP ;DOUBLE (1/2)



9101528B1

ポンプ;ダブル (1/2)  
PUMP;DOUBLE (1/2)

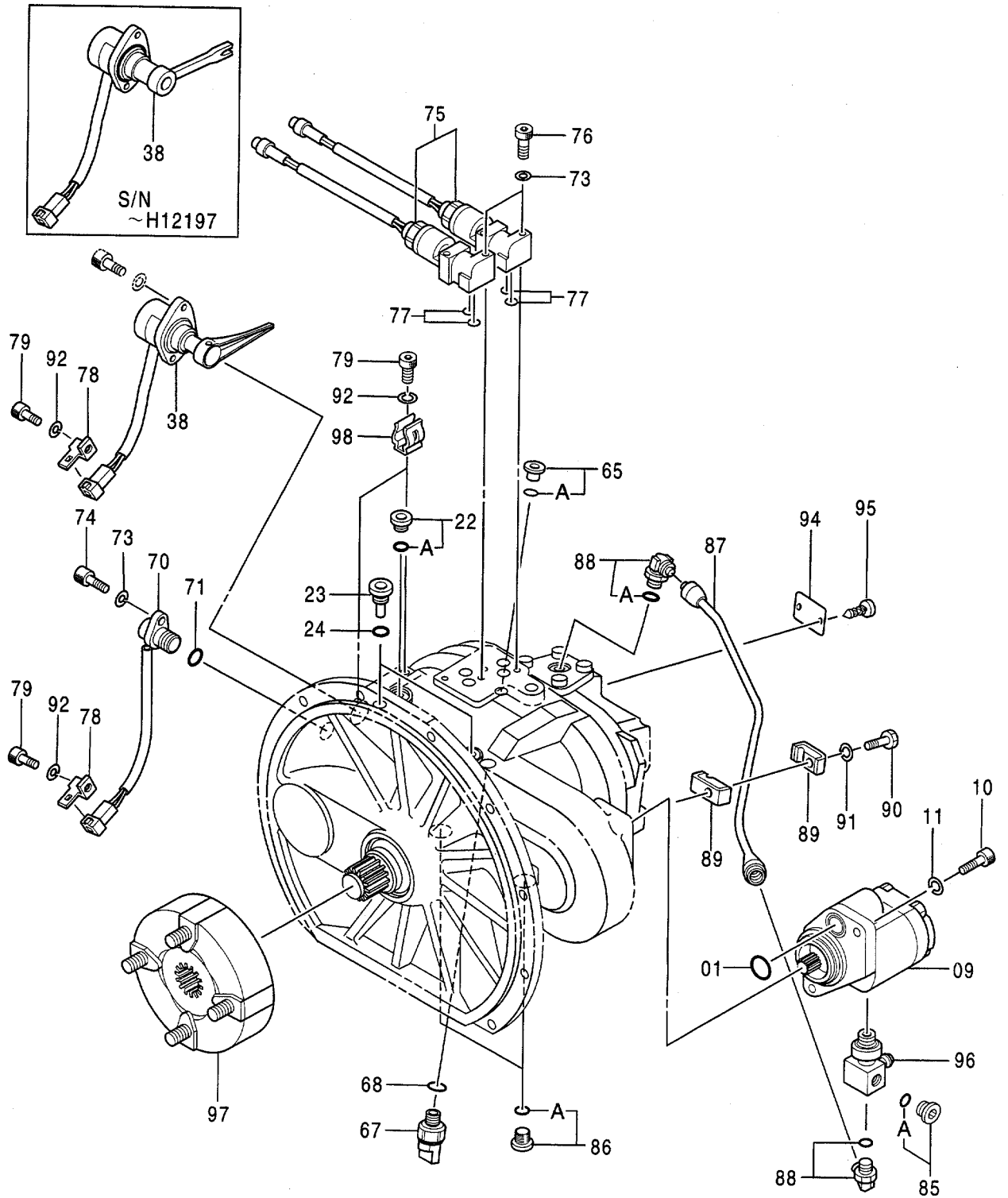
60001-H15730

符号 ITEM	部品番号 PART NO.	部品名 PART NAME	or PART NAME CODE	数量 QTY	サービス コード S.C	適用号機 SERIAL NO.	互換性 ICA	代替部品 REPLACEABLE PART	
								部品番号 PART NO.	数量 QTY
	9101528	PUMP;DOUBLE (1/2)	9101528B1	1			Y	9135950	1
	この部品番号の構成部品は PUMP;DOUBLE(1/2) から (2/2) の部品が含まれます。 This PART NO. consists of all parts shown in PUMP;DOUBLE(1/2) to (2/2).								
01	4254405	・O-RING		1					
09	4255303	・PUMP;GEAR	0408200	1					
10	M341030	・BOLT;SOCKET		2					
11	A590110	・WASHER;PLANE		2					
22	9089486	・PLUG		1					
22A	4509180	・・O-RING		1					
23	4233165	・PLUG		2					
24	957366	・O-RING		2					
38	++++++	・SENSOR;ANGLE	9101533	1		-H12197			
38	++++++	・SENSOR;ANGLE	9128251	1	#	H12198-			
65	9089485	・PLUG		1					
65A	957366	・・O-RING		1					
67	4248773	・SENSOR;PRES.		1					
68	4506416	・O-RING		1		-H02986	I	4150302	1
68	4150302	・O-RING		1		H02987-			
70	4265372	・SENSOR;REVOL.		1					
71	4269615	・O-RING		1		-H07781	Y	4306888	1
71	4306888	・O-RING		1		H07782-			
73	A590106	・WASHER;PLANE		5					
74	M340616	・BOLT;SOCKET		1					
75	9098250	・VALVE;SOLENOID		2		-H07274	I	9120292	2
75	9120292	・VALVE;SOLENOID		2		H07275-			
76	M340645	・BOLT;SOCKET		4					
77	971823	・O-RING		4					
78	4252767	・BRACKET		2					
79	M340613	・BOLT;SOCKET		4					
85	9089485	・PLUG		1					
85A	957366	・・O-RING		1					
86	9089486	・PLUG		2					
86A	4509180	・・O-RING		1					
87	3055948	・PIPE		1					
88	4179837	・FITTING;PIPE		2					
88A	957366	・・O-RING		1					
89	9736515	・CLAMP		2					
90	J900830	・BOLT		1					
91	A590908	・WASHER;SPRING		1					
92	4169516	・WASHER;SPRING		4					

001B

ポンプ ;ダブル (1/2)

PUMP ;DOUBLE (1/2)



9101528B1



**Suggest:**

**For more complete manuals. Please go to the home page.**

**<https://www.ebooklibonline.com>**

**If the above button click is invalid. Please download this document first, and then click the above link to download the complete manual.**

**Thank you so much for reading**

ポンプ;ダブル (1/2)  
PUMP;DOUBLE (1/2)

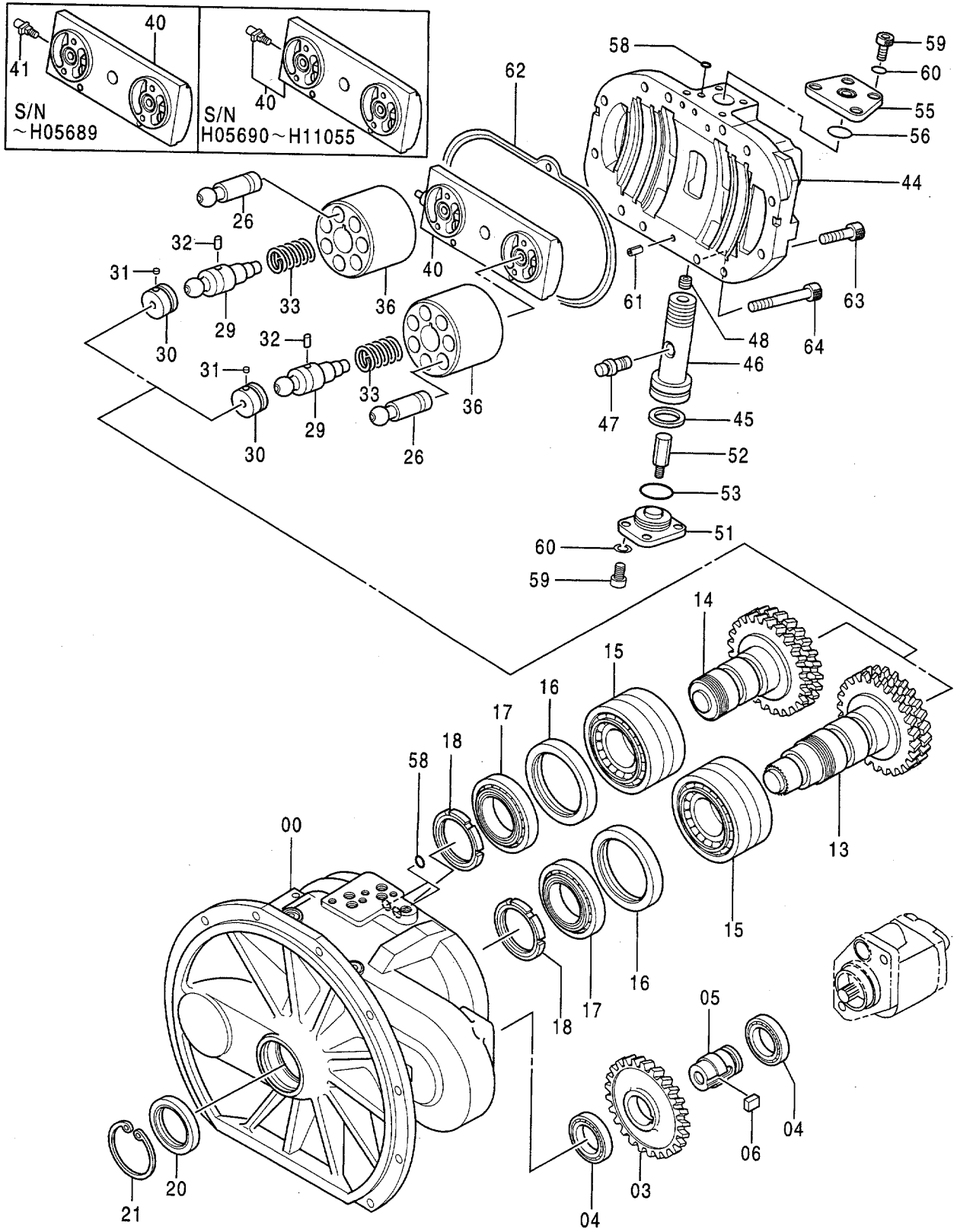
60001-H15730

符号 ITEM	部品番号 PART NO.	部品名 PART NAME	or PART NAME CODE	数量 Q'TY	サービス コード S. C	適用号機 SERIAL NO.	互換性 ICA	代替部品 REPLACEABLE PART	
								部品番号 PART NO.	数量 Q'TY
94	3020380	•NAME-PLATE		1					
95	M492564	•SCREW;DRIVE		2					
96	4278547	•ADAPTER		1					
97	4235766	•COUPLING		1					
98	4276559	•CLAMP		2					

003A

ポンプ ;ダブル (2/2)

PUMP; DOUBLE (2/2)



9101528B2

**<https://www.ebooklibonline.com>**

Hello dear friend!

Thank you very much for reading.

Enter the link into your browser.

The full manual is available for immediate download.

**<https://www.ebooklibonline.com>**