

編 番
PART NO.
PI2N-EI-5

PARTS CATALOG

パーツカタログ

EX120-2

EQUIPMENT COMPONENTS PARTS

機器 インナーパーツ

適用号機 30001~
Serial No.

HITACHI

FOREWORD

- © This parts catalog shows the precision parts of EX120-2 Hydraulic Excavator. The numerical parts No. index is provided at the end of this parts catalog. In the parts index, a part No. with "*" mark shows a newly added part on the parts catalog.
- © This parts catalog contains the most recent information available at the time of printing, and the contents of the list are based on information in effect at that time and are subject to change without notice.
- © The references in the parts catalog of "LEFT", "RIGHT", "FRONT" and "REAR" are identified as follows.
The driver's seat is positioned "LEFT" side, and the opposite side is "RIGHT".
The front-end attachments is at the "FRONT". The counterweight is attached at the "REAR".
For the undercarriage, the travel motor is at the "REAR", and the opposite is "FRONT".

1. HOW TO ORDER PARTS

When ordering parts, Please specify the following items as shown in the following example.

	(EXAMPLE)	
(1) Model of Machine	(EX120-2)	} Shown on NAME-PLATE provided on MAIN FRAME on the lower right side of CAB
(2) Machine Serial No.	(12N-30001)	
(3) Part No.	(A810165)	} Ordering Parts
(4) Part Name	(O-RING)	
(5) Q'ty	(2)	Ordering Q'ty
(6) Purchaser's Name and Address		

2. HOW TO USE THIS PARTS CATALOG

- ITEM Item No. shows the reference No. on the machine illustration.
- PART NO. Part No. consists of a letter of the alphabet and numerals, or numerals only.
- PART NAME Components of an assembly part are shown with "." marks and are shown on the line, or lines, below the assembly part. Also, if the component with "." mark consists of further components part, these further components are shown by the marks "...".

- Q' TY** Q'ty shows the quantity used for a particular single hydraulic unit, however quantity of components shows the quantity for one assembly part.
- SERVICE CODE** Abbreviations in the column of service code have their own meaning as shown below.
- W: The part with this abbreviation shows that the part requires some work on it before installing in the machine.
 - D: The part with this abbreviation is a component of an assembly and is not available independently. The assembly part containing this part should be ordered.
 - K: This means that the part is contained in the service parts kit.
 - R: The part with this abbreviation shows that the quantity of the part is changed depending upon the machine, such as an adjusting shim etcetera.
 - S: This part is specially provided as a service part, which was not provided in the machine before from shipping the factory.
 - OP: Optional parts
 - OS: Over-sized parts
 - US: Under-sized parts
- (NOTE: Part with abbreviation "OS" or "US" is described on the line below the standard-sized part.)
- #: The part with this mark is newly added on that page of the equipment.
- SERIAL No.** Applicable machine serial No. for the part is shown in this column. Further, above this column, the applicable serial No. is shown for all parts described on that page.
- Take this serial No. if the part is not mentioned its own applicable serial No. Take the serial No. which includes both of for the part and for all parts described on the page if the part is mentioned its own applicable serial No. If the abbreviation "D" is described as headed letter instead of the serial No. it means the produced date of the machine in which the parts are used.
- (EXAMPLE: D90/10-.....produced on October 1990 and after)
- If the abbreviation "H" is described as headed letter, it means the serial No. of equipment such as PUMP, MOTOR, CONTROL VALVE and etcetera.
- If the abbreviation "F" is described as headed letter, it means the Front No. of front-end attachments such as BUCKET, BOOM, ARM and etcetera.
- ICA** ICA shows the interchangeability between the original and the improved parts. Abbreviations used in this column are as follows.
- I: Part No. in the column of 'Replaceable part' can be used instead of this part but not vice versa.
 - P: This must not be used for the machine. The part No. in the column 'Replaceable part' should be used instead.
 - T: Parts Nos. those in the column of 'Replaceable part' can be used as an assembly instead of this part.
 - Y: This part and the part in the column of 'Replaceable part' are interchangeable with each other.

<https://www.ebooklibonline.com>

Hello dear friend!

Thank you very much for reading.

Enter the link into your browser.

The full manual is available for immediate download.

<https://www.ebooklibonline.com>

•REPLACEABLE PART

Interchangeable parts Nos. and their required quantity are shown in this column.

NOTE: If interchangeable improved parts are provided for the parts which you may order, the improved parts classified as "I", "P", "T" or "Y" may be supplied.

目次
CONTENTS

PB-201
PB-A44

部品番号 PART NO.	コード CODE	部品名	PART NAME	適用号機 SERIAL NO.	頁 PAGE
ポンプ		PUMP			
9101530	-----	ポンプ; シングル	PUMP; SINGLE		---
++++++	9101530B1	・ポンプ; シングル (1/2)	・PUMP; SINGLE (1/2)		001
++++++	9101530B2	・ポンプ; シングル (2/2)	・PUMP; SINGLE (2/2)		003
4255303	0408200	・・ポンプ; ギヤ	・・PUMP; GEAR		005
++++++	9101533	・・センサ; アングル	・・SENSOR; ANGLE		007
++++++	9128251	・・センサ; アングル	・・SENSOR; ANGLE	SERVICE PARTS	009
モータ; オイル		MOTOR; OIL			
9096731	9096731	モータ; オイル (走行)	MOTOR; OIL (TRAVEL)	30001-H03196	011
9099928	-----	・バルブ; ブレーキ	・VALVE; BRAKE		---
++++++	9099928B1	・・バルブ; ブレーキ (1/2)	・・VALVE; BRAKE (1/2)		013
++++++	9099928A2	・・バルブ; ブレーキ (2/2)	・・VALVE; BRAKE (2/2)		015
9102618	9102618	・・・バルブ; リリーフ	・・・VALVE; RELIEF		017
9116375	9116375	モータ; オイル (走行)	MOTOR; OIL (TRAVEL)	H03197-H05971	019
9116373	-----	・バルブ; ブレーキ	・VALVE; BRAKE		---
++++++	9116373A1	・・バルブ; ブレーキ (1/2)	・・VALVE; BRAKE (1/2)		021
++++++	9116373A2	・・バルブ; ブレーキ (2/2)	・・VALVE; BRAKE (2/2)		023
9114687	9114687	・・・バルブ; リリーフ	・・・VALVE; RELIEF		025
9116379	9116379	モータ; オイル (走行)	MOTOR; OIL (TRAVEL)	H05972-H06584	027
9116377	-----	・バルブ; ブレーキ	・VALVE; BRAKE		---
++++++	9116377A1	・・バルブ; ブレーキ (1/2)	・・VALVE; BRAKE (1/2)		029
++++++	9116377A2	・・バルブ; ブレーキ (2/2)	・・VALVE; BRAKE (2/2)		031
9115734	9115734	・・・バルブ; リリーフ	・・・VALVE; RELIEF		033
9116383	9116383A	モータ; オイル (走行)	MOTOR; OIL (TRAVEL)	H06585-	035
9116381	-----	・バルブ; ブレーキ	・VALVE; BRAKE		---
++++++	9116381A1	・・バルブ; ブレーキ (1/2)	・・VALVE; BRAKE (1/2)		037
++++++	9116381A2	・・バルブ; ブレーキ (2/2)	・・VALVE; BRAKE (2/2)		039
9115734	9115734	・・・バルブ; リリーフ	・・・VALVE; RELIEF		(033)
4241171	0408700	モータ; オイル (旋回)	MOTOR; OIL (SWING)	30001-38115, 38120-38125 38128-38130, 38140-38145	041
4334356	0614700	モータ; オイル (旋回)	MOTOR; OIL (SWING)	38116-38119, 38126-38127 38131-38139, 38146-	043
4286401	0407800	・ロータリグループ	・ROTARY GROUP	30001-38115, 38120-38125 38128-38130, 38140-38145	045
4334357	0614800	・ロータリグループ	・ROTARY GROUP	38116-38119, 38126-38127 38131-38139, 38146-	047
4286402	0407900	・シャフト部	・SHAFT PART		049

部品番号 PART NO.	コード CODE	部 品 名	PART NAME	適用号機 SERIAL NO.	頁 PAGE
4286403	0408000	・カバー部	・COVER PART	30001-D92/04	051
4327557	0605300	・カバー部	・COVER PART	D92/05-	053
4286404	0408100	・・バルブ; リリーフ	・・VALVE;RELIEF	30001-D92/12	055
4328226	0605400	・・バルブ; リリーフ	・・VALVE;RELIEF	D93/01-	057
バルブ		VALVE			
4254646	-----	バルブ; コントロール	VALVE;CONTROL	30001-32925, 32927-32934 32936-32937, 32939-32942 32945-32988,	---
+++++++	0411800	・バルブ; コントロール (1/8)	・VALVE;CONTROL (1/8)		059
+++++++	0411900	・バルブ; コントロール (2/8)	・VALVE;CONTROL (2/8)		061
+++++++	0412000	・バルブ; コントロール (3/8)	・VALVE;CONTROL (3/8)		063
+++++++	0412100	・バルブ; コントロール (4/8)	・VALVE;CONTROL (4/8)		065
+++++++	0412200	・バルブ; コントロール (5/8)	・VALVE;CONTROL (5/8)		067
+++++++	0412300	・バルブ; コントロール (6/8)	・VALVE;CONTROL (6/8)		069
+++++++	0412400	・バルブ; コントロール (7/8)	・VALVE;CONTROL (7/8)		071
+++++++	0412500	・バルブ; コントロール (8/8)	・VALVE;CONTROL (8/8)		073
4304718	-----	バルブ; コントロール	VALVE;CONTROL	32926, 32935, 32938, 32943, 32944, 32989-	---
+++++++	0463900	・バルブ; コントロール (1/8)	・VALVE;CONTROL (1/8)		075
+++++++	0464000	・バルブ; コントロール (2/8)	・VALVE;CONTROL (2/8)		077
+++++++	0464100	・バルブ; コントロール (3/8)	・VALVE;CONTROL (3/8)		079
+++++++	0464200	・バルブ; コントロール (4/8)	・VALVE;CONTROL (4/8)		081
+++++++	0464300	・バルブ; コントロール (5/8)	・VALVE;CONTROL (5/8)		083
+++++++	0464400	・バルブ; コントロール (6/8)	・VALVE;CONTROL (6/8)		085
+++++++	0464500	・バルブ; コントロール (7/8)	・VALVE;CONTROL (7/8)		087
+++++++	0464600	・バルブ; コントロール (8/8)	・VALVE;CONTROL (8/8)		089
9101511	9101511A	バルブ; パイロット	VALVE;PILOT		091
9101512	9101512A	バルブ; パイロット	VALVE;PILOT		093
9072923	9072923D	バルブ; パイロット	VALVE;PILOT		095
4276904	0408400B	バルブ; ソレノイド	VALVE;SOLENOID		097
4254610	0408300	バルブ; フロウコントロール	VALVE;FC	30001-32925, 32927-32934 32936-32937, 32939-32942 32945-32988,	099
4304666	0635700	バルブ; フロウコントロール	VALVE;FC	32926, 32935, 32938, 32943, 32944, 32989-	101
4254613	0408500	バルブ; シャトル	VALVE;SHUTTLE		103
4254612	0408600	バルブ; シャトル	VALVE;SHUTTLE		105
4254611	0396600A	バルブ; ロック	VALVE;LOCK		107
4263925	0498500	バルブ; ホールディング	VALVE;HOLDING	30001-D93/09	109

部品番号 PART NO.	コード CODE	部品名	PART NAME	適用号機 SERIAL NO.	頁 PAGE
4324747	0499100	・バルブ ; リリーフ	・VALVE;RELIEF	30001-D93/09	111
4311300	0615800	バルブ ; ホールディング	VALVE;HOLDING	D93/10-	113
4263926	0498600	バルブ ; ホールディング	VALVE;HOLDING	30001-D93/09	115
4324747	0499100	・バルブ ; リリーフ	・VALVE;RELIEF	30001-D93/09	(111)
4311301	0620400	バルブ ; ホールディング	VALVE;HOLDING	D93/10-	117
4263927	0498700	バルブ ; ホールディング	VALVE;HOLDING	30001-D93/09	119
4324747	0499100	・バルブ ; リリーフ	VALVE;RELIEF	30001-D93/09	(111)
4311302	0620500	バルブ ; ホールディング	VALVE;HOLDING	D93/10-	121
4288148	0437400	バルブ	VALVE		123
シリンダ			CYLINDER		
4257642	0408800A	シリンダ ; ブーム (右)	CYL.;BOOM (R)		125
4257643	0408900A	シリンダ ; ブーム (左)	CYL.;BOOM (L)		127
4257644	0409000A	シリンダ ; アーム	CYL.;ARM		129
4269538	0409100	シリンダ ; バケツ	CYL.;BUCKET		131
4288744	0496600	シリンダ ; クラムシェル	CYL.;CLAMSHELL		133
その他			ETC.		
9101532	9101532A	センサ ; DP	SENSOR;DP		135
索引			PARTS INDEX		137



Suggest:

For more complete manuals. Please go to the home page.

<https://www.ebooklibonline.com>

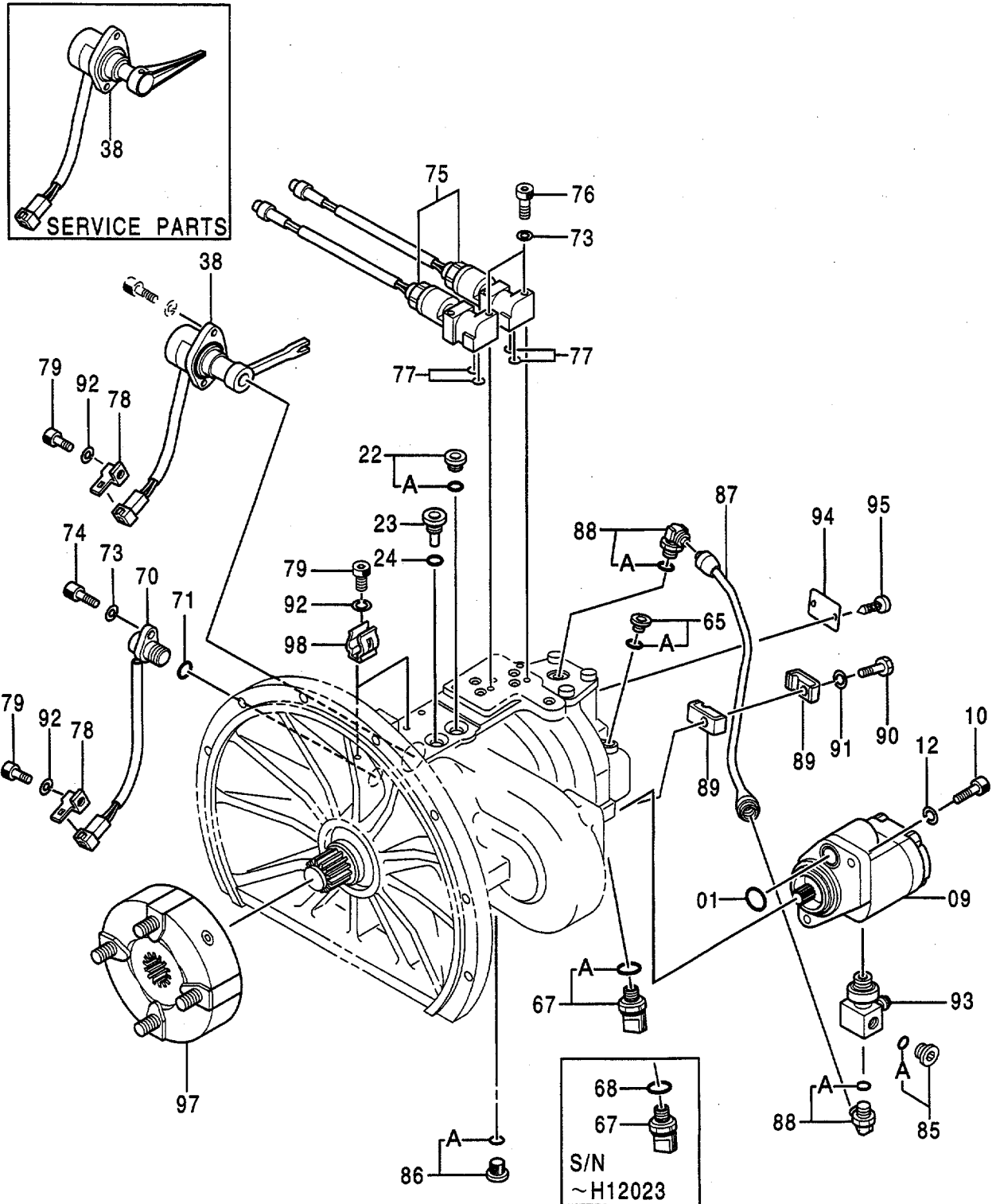
If the above button click is invalid. Please download this document first, and then click the above link to download the complete manual.

Thank you so much for reading

001A

ポンプ ; シングル (1/2)

PUMP; SINGLE (1/2)



9101530B1

ポンプ;シングル (1/2)
PUMP;SINGLE (1/2)

30001-

符号 ITEM	部品番号 PART NO.	部品名 PART NAME	or PART NAME CODE	数量 QTY	サービス コード S.C	適用号機 SERIAL NO.	互換性 ICA	代替部品 REPLACEABLE PART	
								部品番号 PART NO.	数量 QTY
	9101530	PUMP;SINGLE (1/2)	9101530B1	1					
		この部品番号/構成部品は PUMP;SINGLE(1/2) から (2/2) の部品を含みます。 This PART NO. consists of all parts shown in PUMP;SINGLE(1/2) to (2/2).							
01	4254405	•O-RING		1					
09	4255303	•PUMP;GEAR	0408200	1					
10	M341030	•BOLT;SOCKET		2					
12	A590110	•WASHER;PLANE		2					
22	9089486	•PLUG		1					
22A	4509180	••O-RING		1					
23	4233165	•PLUG		1					
24	957366	•O-RING		1					
38	+++++	•SENSOR;ANGLE	9101533	1					
38	+++++	•SENSOR;ANGLE	9128251	1	#S				
65	9089485	•PLUG		1					
65A	957366	••O-RING		1					
67	4248773	•SENSOR;PRES.		1		-H12023	I	4339754	1
67	4339754	•SENSOR;PRES.		1	#	H12024-			
67A	4150302	•O-RING		1	#	H12024-			
68	4506416	•O-RING		1		-H02620	I	4150302	1
68	4150302	•O-RING		1		H02621-H12023			
70	4265372	•SENSOR;REVOL.		1					
71	4269615	•O-RING		1		-H06370	Y	4306888	1
71	4306888	•O-RING		1		H06371-			
73	A590106	•WASHER;PLANE		5					
74	M340616	•BOLT;SOCKET		1					
75	9098250	•VALVE;SOLENOID		2		-H05937	I	9120292	2
75	9120292	•VALVE;SOLENOID		2		H05938-			
76	M340645	•BOLT;SOCKET		4					
77	971823	•O-RING		4					
78	4252767	•BRACKET		2					
79	M340613	•BOLT;SOCKET		4					
85	9089485	•PLUG		1					
85A	957366	••O-RING		1					
86	9089486	•PLUG		1					
86A	4509180	••O-RING		1					
87	3055949	•PIPE		1					
88	4179837	•FITTING;PIPE		2					
88A	957366	••O-RING		1					
89	9736515	•CLAMP		2					
90	J900830	•BOLT		1					

<https://www.ebooklibonline.com>

Hello dear friend!

Thank you very much for reading.

Enter the link into your browser.

The full manual is available for immediate download.

<https://www.ebooklibonline.com>