

編 番
PARTS No.
P10K-1-5

EX60-2 EXCAVATOR

PARTS CATALOG

適用号機
Serial No. 30001～

HITACHI

(6) Purchaser's Name and Address

2. HOW TO USE THIS PARTS CATALOG

- ITEM Item No. shows the reference No. on the machine illustration.
- PART NO. Part No. consists of a letter of the alphabet and numerals, or numerals only.
- PART NAME Components of an assembly part are shown with "." marks and are shown on the line, or lines, below the assembly part. Also, if the component with "." mark consists of further components part, these further components are shown by the marks "...".
- Q' TY Q'ty shows the quantity used for one machine, however quantity of components shows the quantity for one assembly part.
- SERVICE CODE Abbreviations in the column of service code have their own meaning as shown below.
- W: The part with this abbreviation shows that the part requires some work on it before installing in the machine.
- H: As the part with this abbreviation shows a precision part, please ask the authority for its repairing.
- D: The part with this abbreviation is a component of an assembly and is not available independently. The assembly part containing this part should be ordered.
- K: This means that the part is contained in the service parts kit.
- R: The part with this abbreviation shows that the quantity of the part is changed depending upon the machine, such as an adjusting shim etcetera.
- S: This part is specially provided as a service part, which was not provided in the machine before from shipping the factory.
- Z: The part with this abbreviation related to the ENGINE.
- OP: Optional parts
- OS: Over-sized parts
- US: Under-sized parts
- (NOTE: Part with abbreviation "OS" or "US" is described on the line below the standard-sized part.)
- #: The part with this mark is newly added on that page of the equipment.
- SERIAL No. Applicable machine serial No. for the part is shown in this column. Further, above this column, the applicable serial No. is shown for all parts described on that page.
- Take this serial No. if the part is not mentioned its own applicable serial No. Take the serial No. which includes both of for the part and for all parts described on the page if the part is mentioned its own applicable serial No. If the abbreviation "D" is described as headed letter instead of the serial No. it means the produced date of the machine in which the parts are used.
- (EXSAMPLE: D94/01-.....produced on January 1994 and after)

<https://www.ebooklibonline.com>

Hello dear friend!

Thank you very much for reading.

Enter the link into your browser.

The full manual is available for immediate download.

<https://www.ebooklibonline.com>

If the abbreviation "H" is described as headed letter, it means the serial No. of equipment such as PUMP, MOTOR, CONTROL VALVE and etcetera.

If the abbreviation "F" is described as headed letter, it means the Front No. of front-end attachments such as BUCKET, BOOM, ARM and etcetera.

·ICA

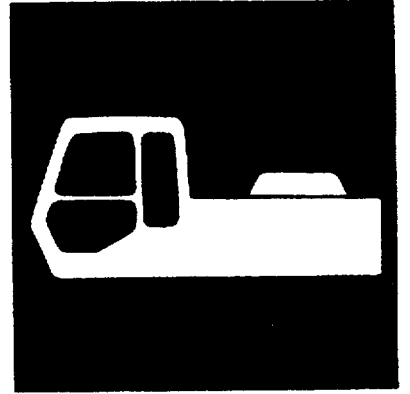
ICA shows the interchangeability between the original and the improved parts. Abbreviations used in this column are as follows.

- I: Part No. in the column of "Replaceable part" can be used instead of this part but not vice versa.
- P: This must not be used for the machine. The part No. in the column "Replaceable part" should be used instead.
- T: Parts Nos. those in the column of "Replaceable part" can be used as an assembly instead of this part.
- Y: This part and the part in the column of "Replaceable part" are interchangeable with each other.

·REPLACEABLE PART

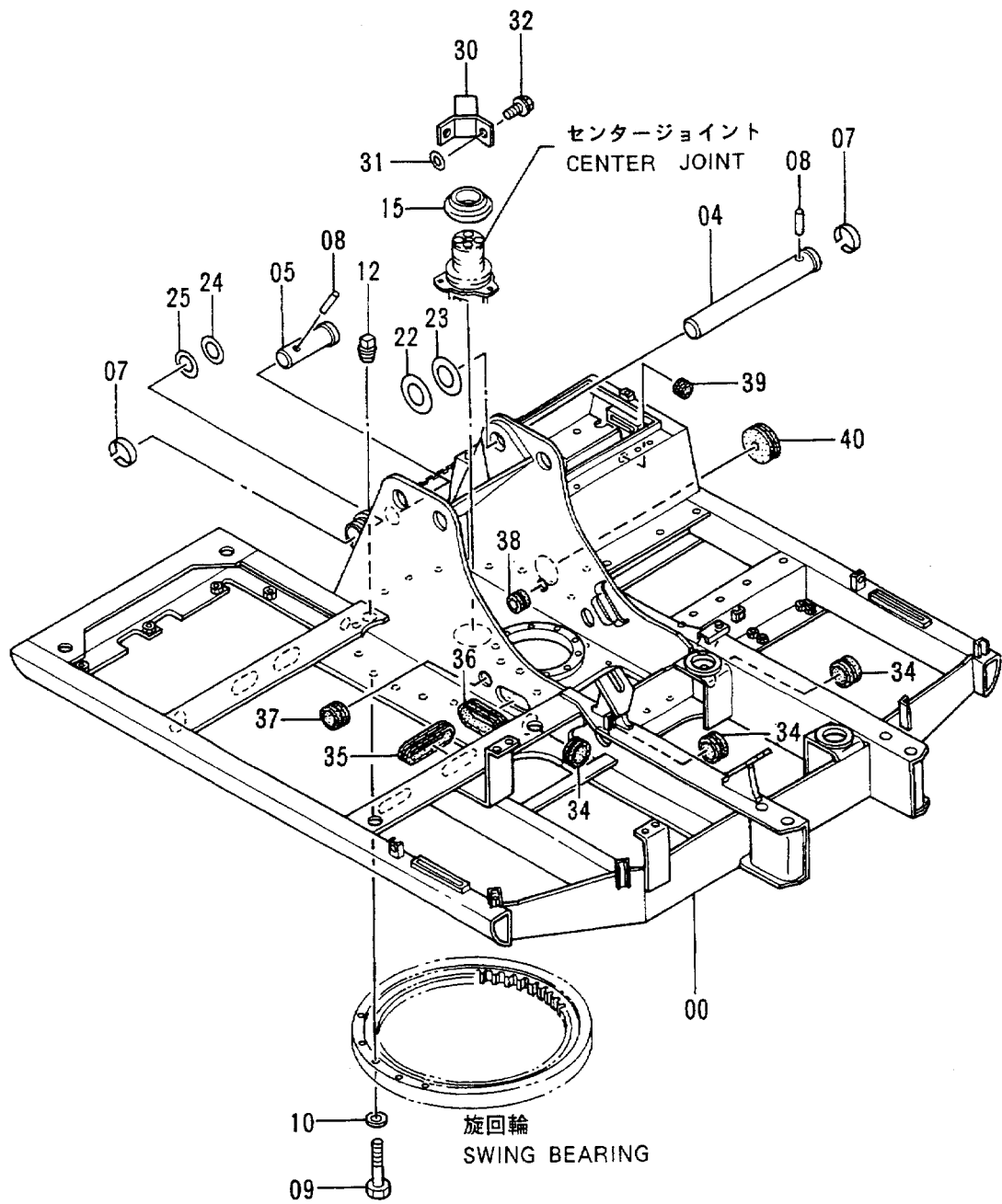
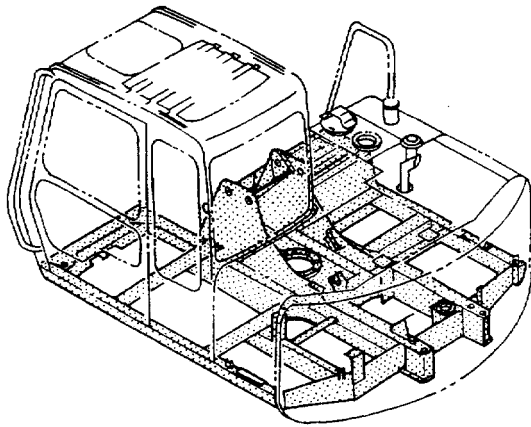
Interchangeable parts Nos. and their required quantity are shown in this column.

NOTE: If interchangeable improved parts are provided for the parts which you may order, the improved parts classified as "I", "P", "T" or "Y" may be supplied.



上部旋回体
UPPERSTRUCTURE

フレーム Frame



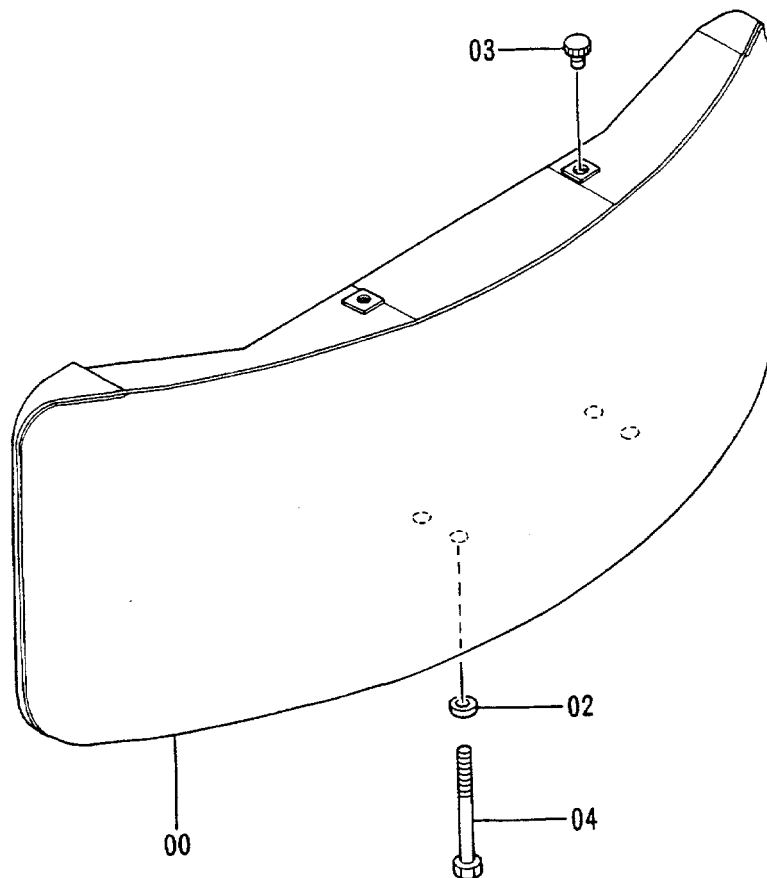
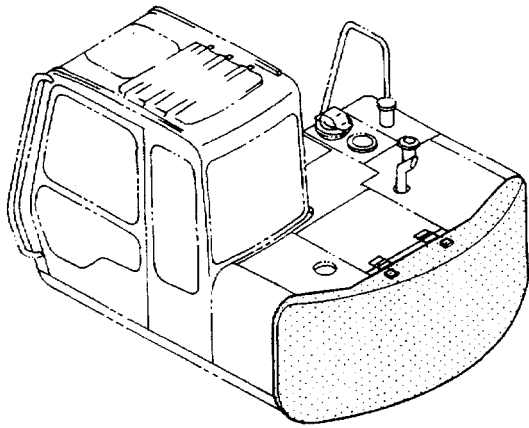
フレーム
FRAME

30001-

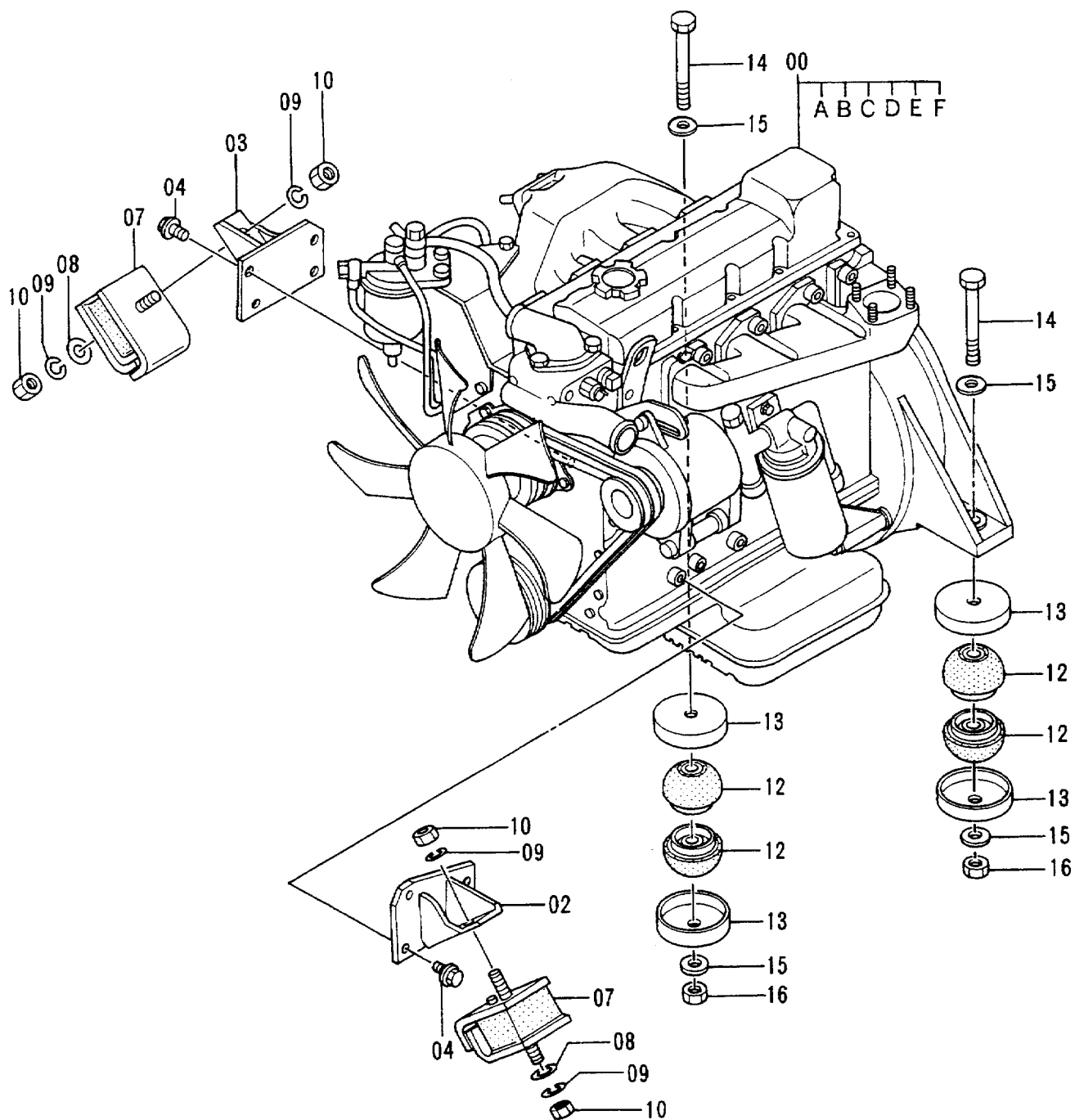
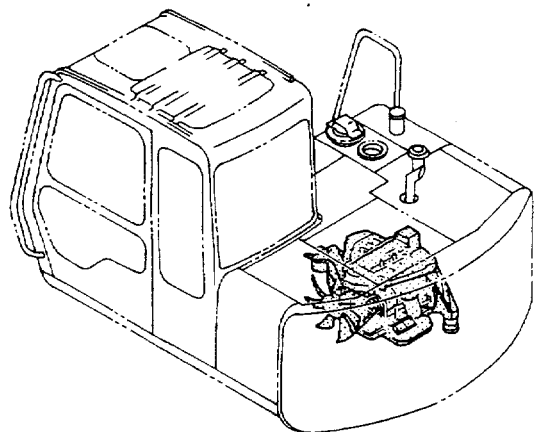
符号 ITEM	部品番号 PART NO.	部品名 PART NAME	or PART NAME CODE	数量 Q'TY	サービス コード S.C	適用号機 SERIAL NO.	互換性 ICA	代替部品 REPLACEABLE PART	
								部品番号	数量
00	5003518	フレーム;メイン	FRAME;MAIN	1					
04	3043504	ピン	PIN	1					
05	3055930	ピン	PIN	1					
07	4065688	リング	RING	2					
08	4065689	ピン	PIN	2					
09	J931685	ボルト	BOLT	22					
10	J222016	ワッシャ	WASHER	22					
12	J75214	プラグ	PLUG	1					
15	4195033	カバー	COVER	1					
22	4224058	ワッシャ 2.0	WASHER 2.0	2	R				
23	4224057	ワッシャ 1.0	WASHER 1.0	2	R				
24	4180196	スペーサ 1.2	SPACER 1.2	2	R				
25	4042135	スペーサ 2.3	SPACER 2.3	1	R				
30	8036895	ストッパ	STOPPER	1					
31	J222012	ワッシャ	WASHER	2					
32	J901220	ボルト	BOLT	2		-32791			
32	J011230	ボルト;セムス	BOLT;SEMS	2		32792-			
34	4509404	ブッシング;ラバ-	BUSHING;RUBBER	3					
35	4293794	ブッシング;ラバ-	BUSHING;RUBBER	1					
36	4293803	ブッシング;ラバ-	BUSHING;RUBBER	1					
37	4201749	ブッシング;ラバ-	BUSHING;RUBBER	1					
38	4210661	ブッシング;ラバ-	BUSHING;RUBBER	1					
39	94-2816	ブッシング;ラバ-	BUSHING;RUBBER	1					
40	4293796	ブッシング;ラバ-	BUSHING;RUBBER	1					

003

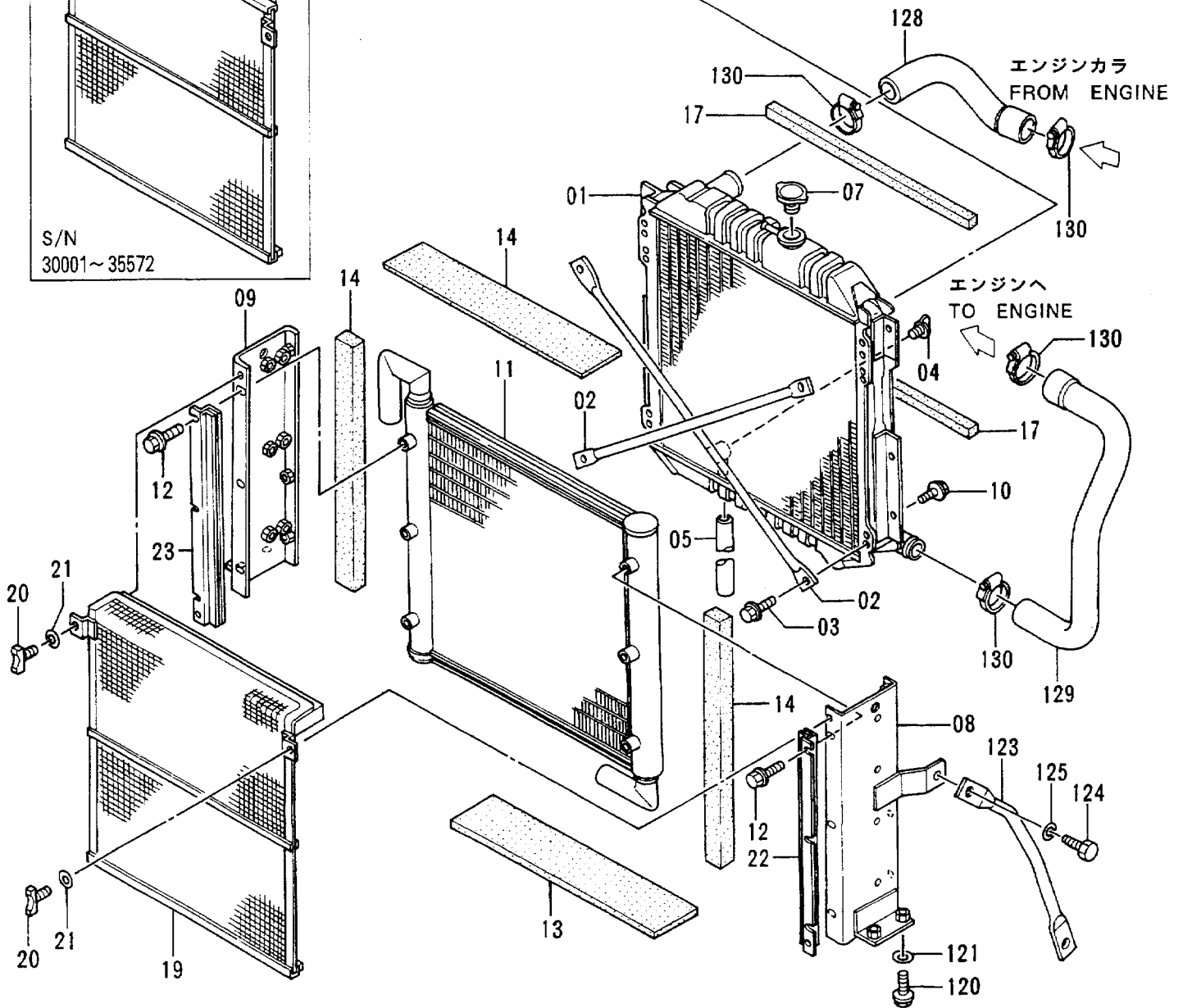
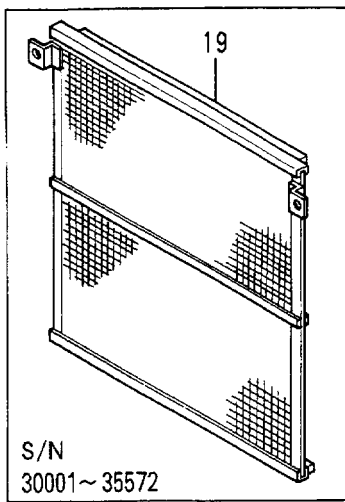
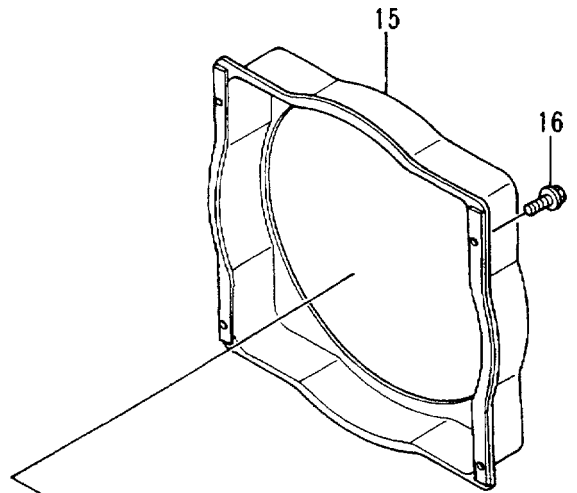
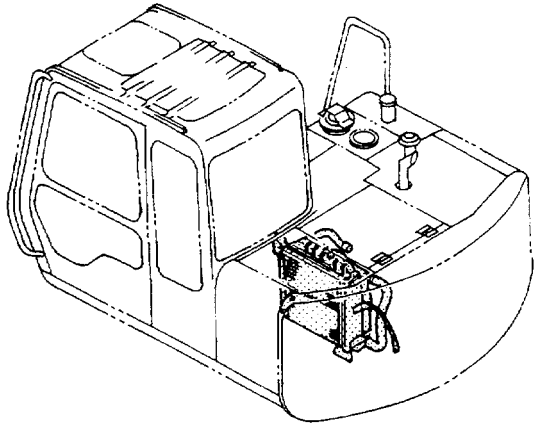
カウンタウェイト Counterweight



エンジン Engine



ラジエータ Radiator

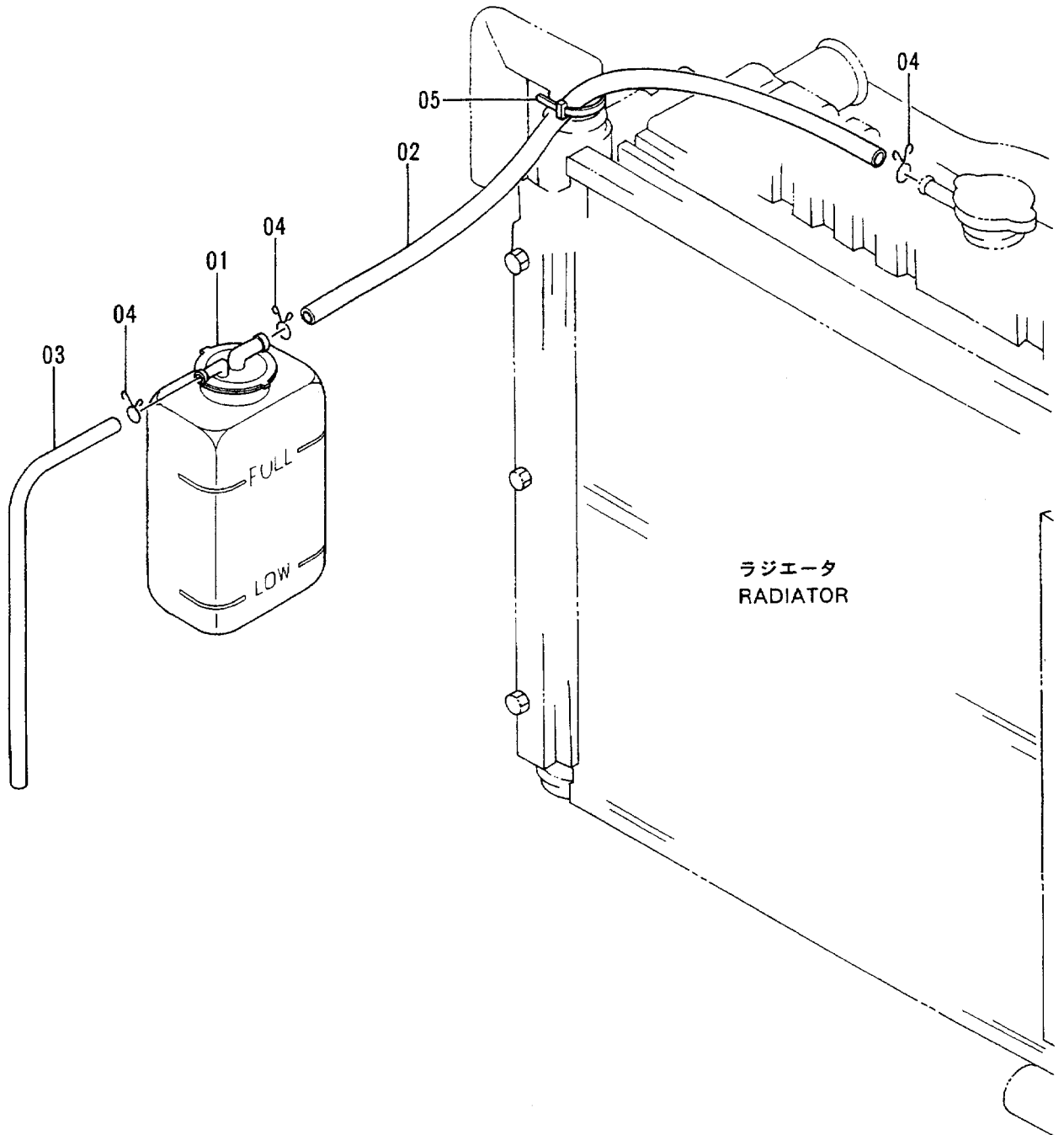
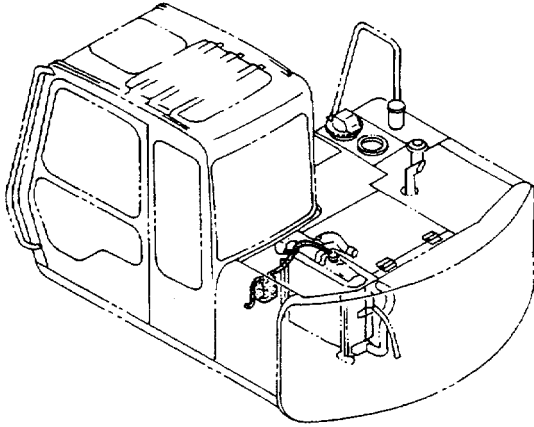


ラジエータ
RADIATOR

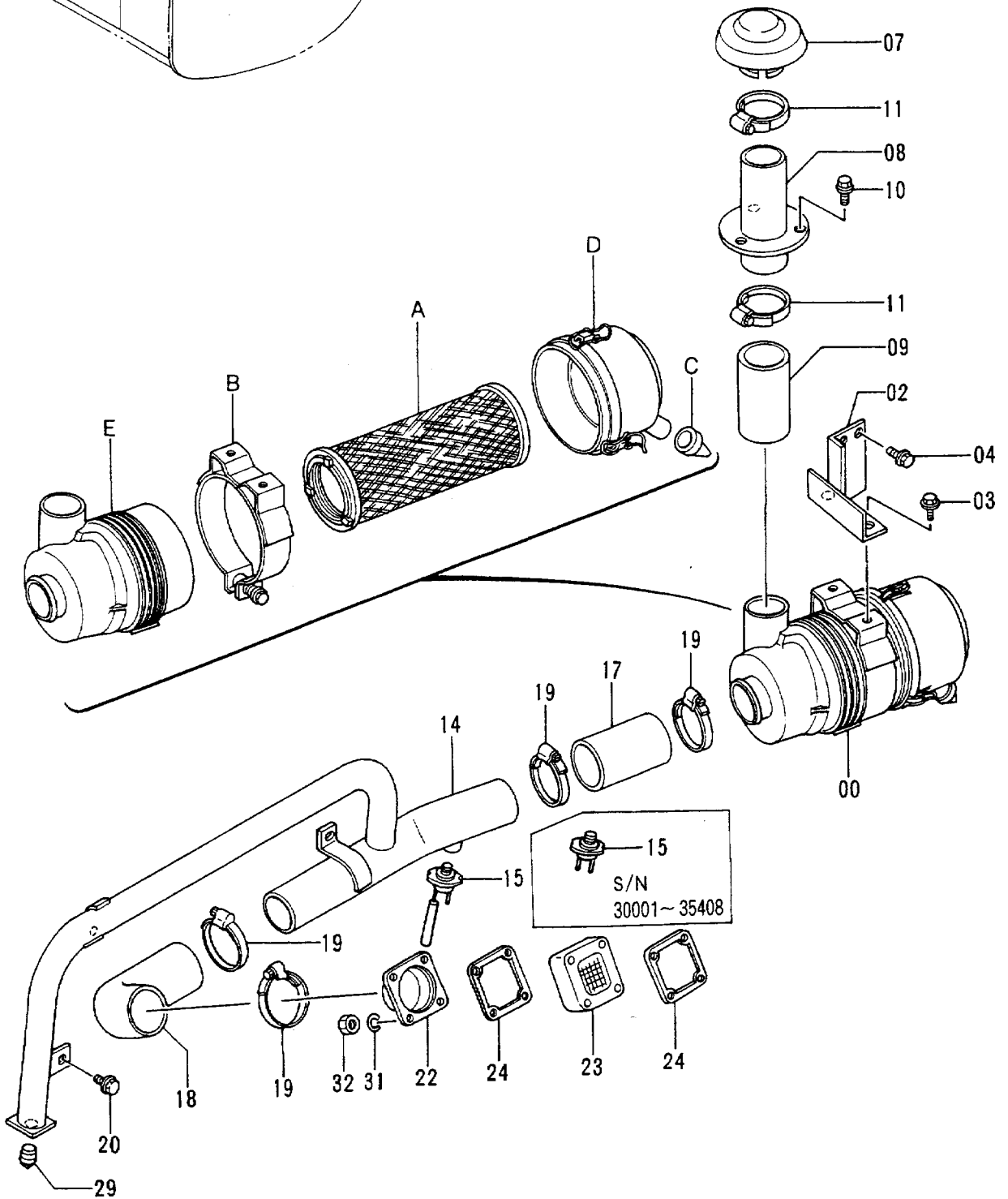
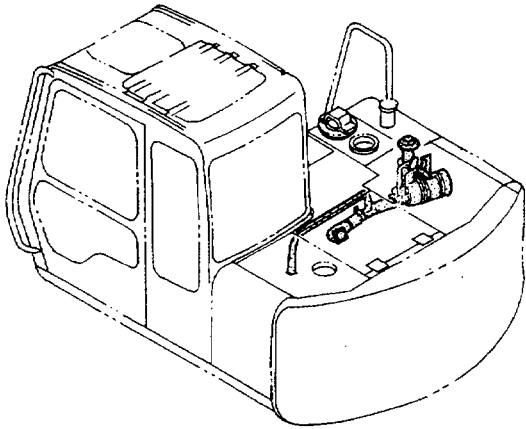
30001-

符号 ITEM	部品番号 PART NO.	部品名 PART NAME	or PART NAME CODE	数量 QTY	サービス コード S.C	適用号機 SERIAL NO.	互換性 ICA	代替部品 REPLACEABLE PART	
								部品番号 PART NO.	数量 QTY
01-24	4304201	ラジエータ アツセン	RADIATOR ASS'Y	1					
01	4301306	・コア;ラジエータ	・CORE;RADIATOR	1					
02	4217605	・ロッド	・ROD	2					
03	4217606	・ボルト;セムス	・BOLT;SEMS	4					
04	4206928	・プラグ;ドレン	・PLUG;DRAIN	1					
05	4148706	・ホース	・HOSE	1					
07	4228160	・キャップ	・CAP	1					
08	4301307	・ブラケット	・BRACKET	1					
09	4301308	・ブラケット	・BRACKET	1					
10	4206678	・ボルト	・BOLT	6					
11	4301309	・クーラ;オイル	・COOLER;OIL	1					
12	4206678	・ボルト;セムス	・BOLT;SEMS	6					
13	4217599	・パッキン	・PACKING	1		-35572			
14	4217598	・パッキン	・PACKING	2					
15	4301310	・ガイド;ファン	・GUIDE;FAN	1					
16	4206678	・ボルト;セムス	・BOLT;SEMS	4					
17	4217595	・パッキン	・PACKING	2					
19	4301311	・ネット	・NET	1		-35572	I	4333043	1
19	4333043	・ネット	・NET	1	#	35573-			
20	4206930	・ボルト;ウイング	・BOLT;WING	2					
21	4206931	・ワッシャ	・WASHER	2					
22	4301312	・ブラケット	・BRACKET	1					
23	4301313	・ブラケット	・BRACKET	1					
24	4301539	・パッキン	・PACKING	1		-35572			
120	J011230	ボルト;セムス	BOLT;SEMS	4					
121	J222012	ワッシャ	WASHER	4					
123	4270964	ステー	STAY	1					
124	J901430	ボルト	BOLT	2					
125	A590914	ワッシャ;スプリング	WASHER;SPRING	2					
128	2031142	ホース;ウオータ	HOSE;WATER	1					
129	2031911	ホース;ウオータ	HOSE;WATER	1					
130	4505385	クランプ;ホース	CLAMP;HOSE	4					

リザーブタンク Reserve Tank



エアクリーナ Air Cleaner

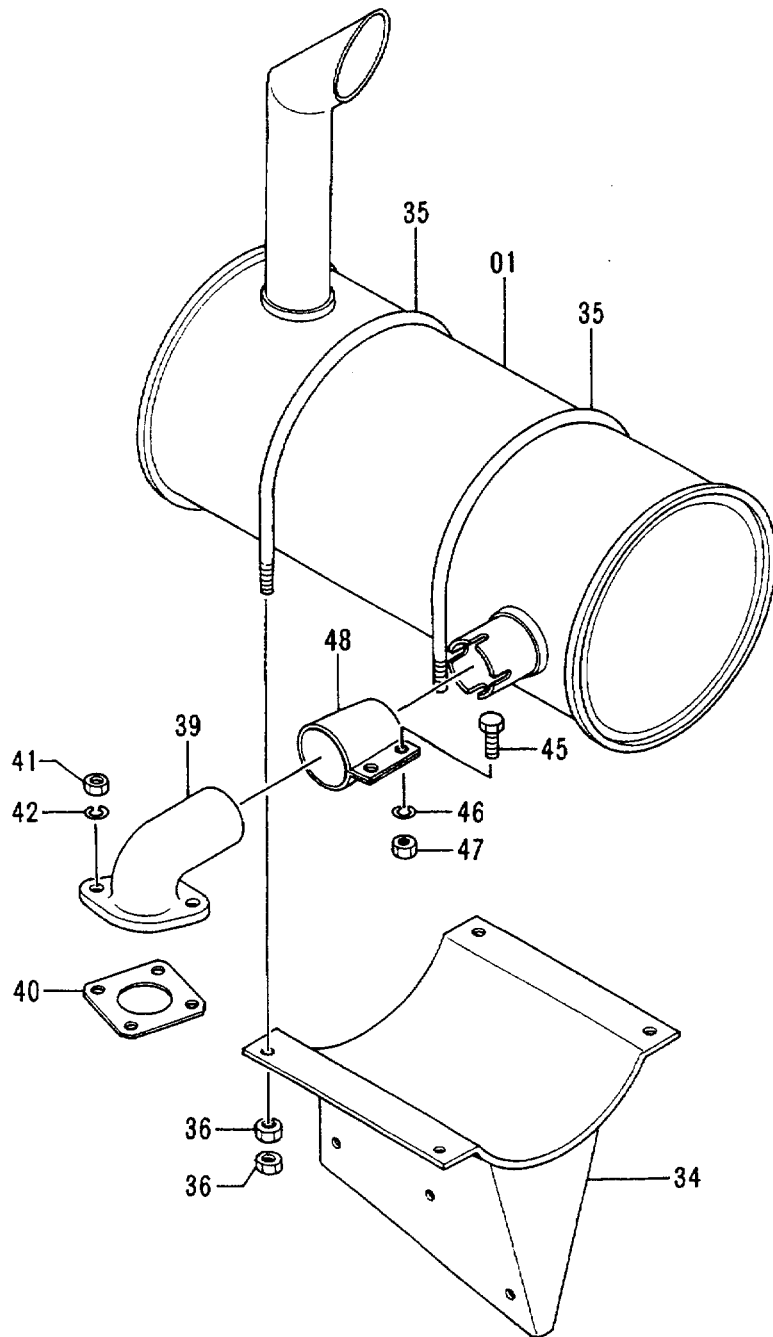
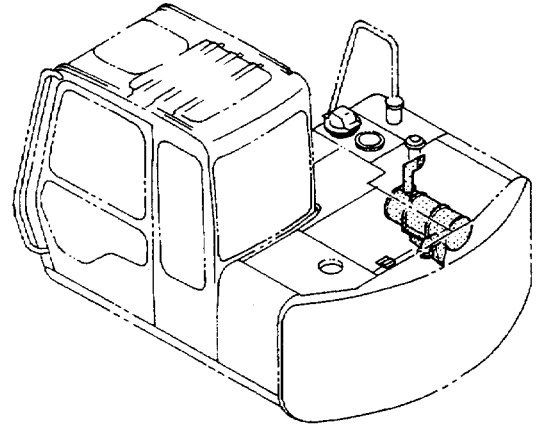


エア クリーナ
AIR CLEANER

30001-

符号 ITEM	部品番号 PART NO.	部品名 PART NAME	or PART NAME CODE	数量 Q'TY	サービス コード S.C	適用号機 SERIAL NO.	互換性 ICA	代替部品 REPLACEABLE PART	
								部品番号 PART NO.	数量 Q'TY
00	4272667	クリーナ;エア アツセン	CLEANER;AIR ASS'Y	1					
00A	4290940	・エレメント	・ELEMENT	1					
00B	4276412	・バンド	・BAND	1					
00C	4208275	・バルブ	・VALVE	1					
00D	4306937	・カバー	・COVER	1					
00E	4306946	・ボディ	・BODY	1					
02	8050983	ブラケット	BRACKET	1					
03	J010816	ボルト;セムス	BOLT;SEMS	2					
04	J011025	ボルト;セムス	BOLT;SEMS	2					
07	4154931	キャップ	CAP	1					
08	9737182	パイプ;インレット	PIPE;INLET	1					
09	4276414	ホース;ラバー	HOSE;RUBBER	1					
10	J021025	ボルト;セムス	BOLT;SEMS	3					
11	4504491	クランプ;ホース	CLAMP;HOSE	2					
14	7025648	パイプ;インレット	PIPE;INLET	1					
15	4221855	インジケータ	INDICATOR	1		-35408	I	4342334	1
15	4342334	インジケータ	INDICATOR	1	#	35409-			
17	4276414	ホース;ラバー	HOSE;RUBBER	1					
18	4294563	ホース;ラバー	HOSE;RUBBER	1					
19	4504491	クランプ;ホース	CLAMP;HOSE	4					
20	J021025	ボルト;セムス	BOLT;SEMS	3					
22	9736328	パイプ	PIPE	1					
23	4306940	ヒータ	HEATER	1	Z				
24	4275173	ガスケット	GASKET	2	Z				
29	94-2022	プラグ	PLUG	1					
31	A590908	ワッシャ;スプリング	WASHER;SPRING	4					
32	M500807	ナット	NUT	4					

マフラー Muffler





Suggest:

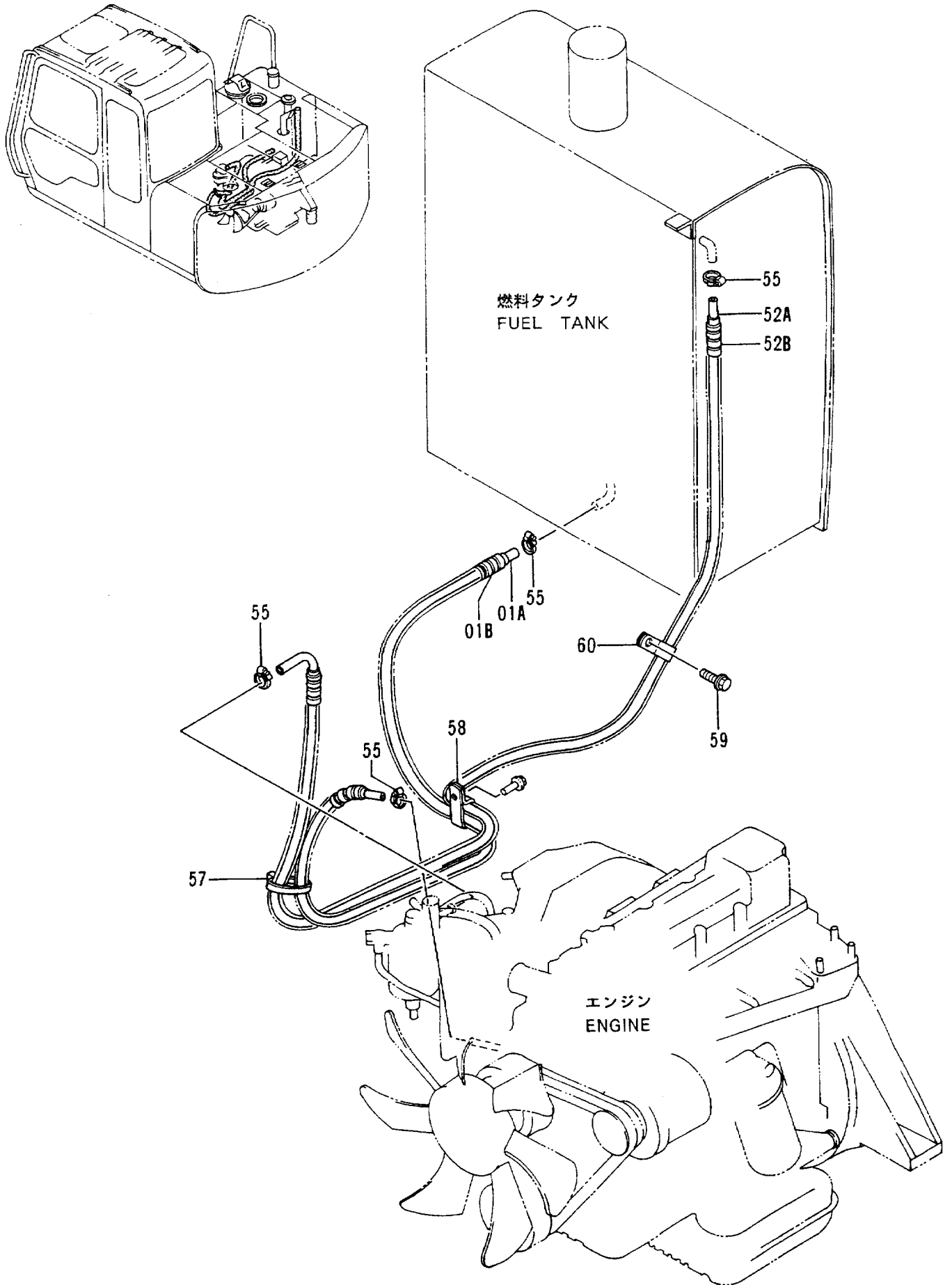
For more complete manuals. Please go to the home page.

<https://www.ebooklibonline.com>

If the above button click is invalid. Please download this document first, and then click the above link to download the complete manual.

Thank you so much for reading

燃料配管 Fuel Pipings



<https://www.ebooklibonline.com>

Hello dear friend!

Thank you very much for reading.

Enter the link into your browser.

The full manual is available for immediate download.

<https://www.ebooklibonline.com>