

Product: COMPACT WHEEL LOADER

Model: 907M COMPACT WHEEL LOADER Z77

Configuration: 907M Compact Wheel Loader Z7700001-UP (MACHINE) POWERED BY C3.3B Engine

Disassembly and Assembly

C3.3B Tier 4 Final and EU Stage 3B Engines for Caterpillar Built Machines

Media Number -UENR3278-07

Publication Date -01/09/2014

Date Updated -11/07/2016

i05224035

Inlet and Exhaust Valves - Remove and Install

SMCS - 1105-010

Removal Procedure

Table 1

Required Tools			
Tool	Part Number	Part Description	Qty
A	5S-1330	Valve Spring Compressor	1

Start By:

- a. Remove cylinder head.

Note: Refer to Specification UENR3421 "Engine Design" for non-specified engine Torque Values.

1. Clean the bottom mating surface of the cylinder head. Check the depth of the valves below the face of the cylinder head before the valve springs are removed. Refer to Specifications, "Cylinder Head Valves" for the correct dimensions.
 2. Place a temporary identification mark on the heads of the valves in order to identify the correct position.
 3. Use a suitable lifting device to position the cylinder head with the valve springs upward. The weight of the cylinder head is approximately 23 kg (51 lb).
-

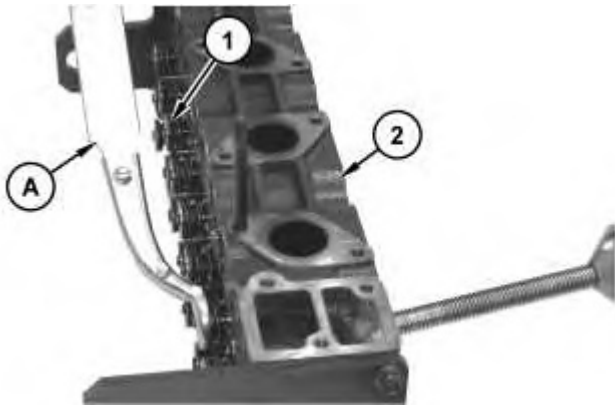


Illustration 1

g02784484

4. Install Tooling (A) in position on cylinder head (2) and compress the valve spring in order to remove inlet and exhaust valves (1).

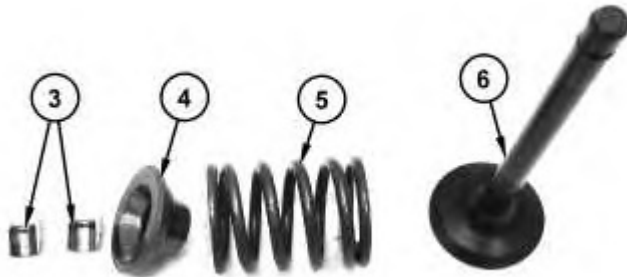


Illustration 2

g02788459

WARNING

Personal injury can result from being struck by parts propelled by a released spring force.

Make sure to wear all necessary protective equipment.

Follow the recommended procedure and use all recommended tooling to release the spring force.

NOTICE

Ensure that the valve spring is compressed squarely or damage to the valve stem may occur.

-
5. Apply sufficient pressure to Tooling (A) in order to remove valve keepers (3).
 6. Slowly release pressure on Tooling (A).
 7. Place a temporary identification mark on valve spring (5) in order to identify the correct position.
 8. Remove valve spring retainer (4). Remove valve spring (5) and inlet and exhaust valves (6).
 9. Repeat Step 4 through Step 8 for the remaining valves.
 10. Remove Tooling (A).

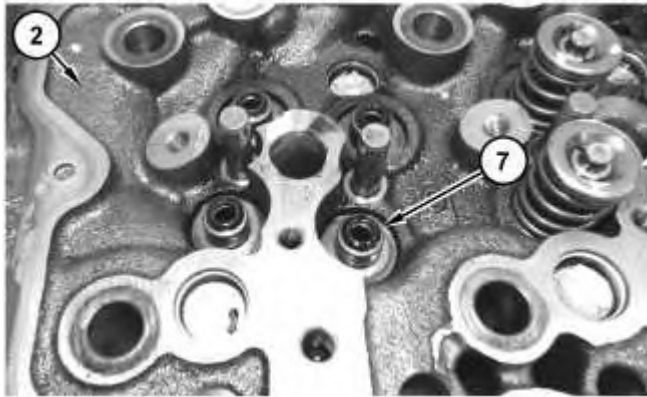


Illustration 3

g02784644

11. Remove valve stem seals (7) from cylinder head (2).
12. Use a suitable lifting device in order to turn over cylinder head (2).
13. Remove the inlet and exhaust valves.

Installation Procedure

1. Install inlet and exhaust valves (6) in the reverse order of removal.
 - a. Clean all components of the cylinder head assembly. Ensure that all ports, all coolant passages, and all lubrication passages in the cylinder head are free from debris. Replace any components that are worn or damaged.
 - b. Lubricate the stems of inlet and exhaust valves (6) with clean engine oil. Install inlet and exhaust valves (6) in the appropriate positions in the cylinder head. Check the depth of the valves below the face of the cylinder head. Refer to System Operation, Testing and Adjusting, "Valve Depth - Inspect" for more information.
-

<https://www.ebooklibonline.com>

Hello dear friend!

Thank you very much for reading.

Enter the link into your browser.

The full manual is available for immediate download.

<https://www.ebooklibonline.com>

Product: COMPACT WHEEL LOADER

Model: 907M COMPACT WHEEL LOADER Z77

Configuration: 907M Compact Wheel Loader Z7700001-UP (MACHINE) POWERED BY C3.3B Engine

Disassembly and Assembly

C3.3B Tier 4 Final and EU Stage 3B Engines for Caterpillar Built Machines

Media Number -UENR3278-07

Publication Date -01/09/2014

Date Updated -11/07/2016

i05305972

Inlet and Exhaust Valve Guides - Remove and Install

SMCS - 1104-010

Removal Procedure

Table 1

Required Tools			
Tool	Part Number	Part Description	Qty
A	390-1136	Valve Guide Driver Kit	1
B	385-8470	Valve Guide Reamer	1

Start By:

- a. Remove the inlet and exhaust valves.

Note: Refer to Specifications, "Engine Design" for non-specified engine torque values.

NOTICE

Removal and installation of the valve guide and valve seat must be carried out by personnel with the correct training. Also special machinery is required. For more information, refer to your authorized Caterpillar dealer.

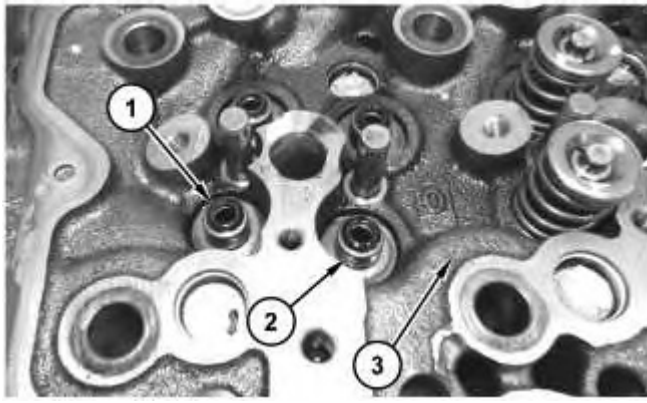


Illustration 1

g02786036

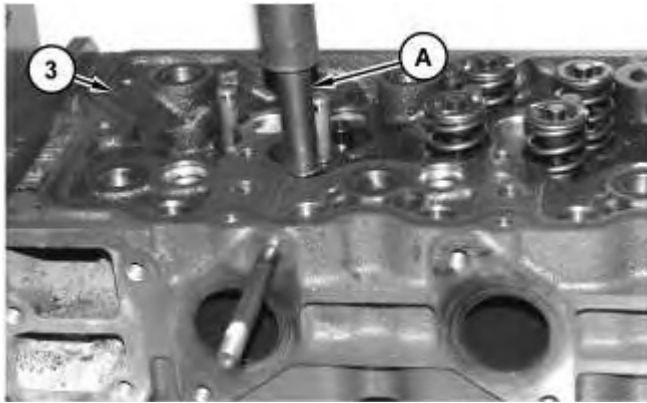


Illustration 2

g02786037

1. Remove inlet and exhaust valve seals (1). Use Tooling (A) in order to remove valve guides (2) from cylinder head (3).
2. Repeat the Step 1 for the remaining inlet and exhaust valve guides.

Installation Procedure

Note: Ensure that the cylinder head is clean and free from machining debris. Clean the parent bores in the cylinder head and lubricate the new valve guides.

1. Install inlet and exhaust valve guides (2) in the reverse order of removal.
 - a. Use Tooling (A) to install inlet and exhaust valve guides (2).

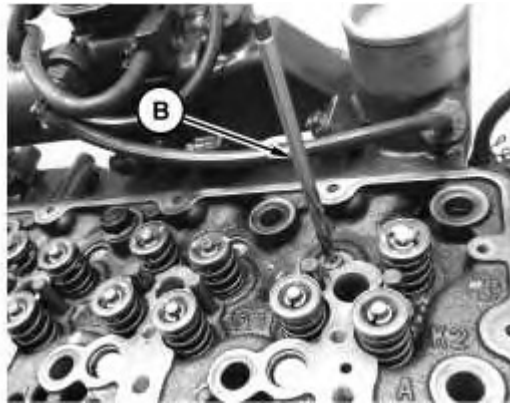


Illustration 3

g02798988

- b. Use Tooling (B) to resize the new inlet and exhaust valve guides. Refer to Specifications, "Cylinder Head Valves" for the allowable clearance between the valve stem and valve guide.
-

Product: COMPACT WHEEL LOADER

Model: 907M COMPACT WHEEL LOADER Z77

Configuration: 907M Compact Wheel Loader Z7700001-UP (MACHINE) POWERED BY C3.3B Engine

Disassembly and Assembly

C3.3B Tier 4 Final and EU Stage 3B Engines for Caterpillar Built Machines

Media Number -UENR3278-07

Publication Date -01/09/2014

Date Updated -11/07/2016

i05223991

Engine Oil Cooler - Remove and Install

SMCS - 1378-010

Removal Procedure

Note: Refer to Specification UENR3421 "Engine Design" for non-specified engine Torque Values.

1. Refer to Operation and Maintenance Manual, "Cooling System Coolant (ELC) - Change" for the correct draining and filling procedures.

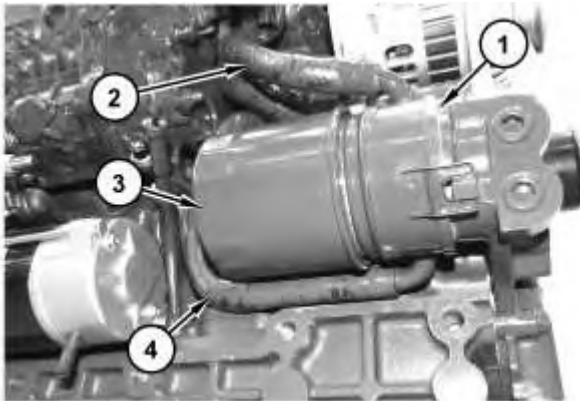


Illustration 1

g02788218

2. Remove engine oil filter (3) from engine oil cooler (1).
 3. Disconnect hose assemblies (2) and (4).
-



Illustration 2

g02788221

4. Remove center stud (5) and remove engine oil cooler (1) from the locator.
5. Remove the O-ring seal from engine oil cooler (1).

Installation Procedure

1. Install engine oil cooler (1) in the reverse order of removal.
 - a. Install the O-ring seal. Position engine oil cooler (1) on the locator on the front housing. Install center stud (5). Tighten center stud (5) to a torque of 40 to 44 N·m (29 to 33 lb ft).
-

Product: COMPACT WHEEL LOADER

Model: 907M COMPACT WHEEL LOADER Z77

Configuration: 907M Compact Wheel Loader Z7700001-UP (MACHINE) POWERED BY C3.3B Engine

Disassembly and Assembly

C3.3B Tier 4 Final and EU Stage 3B Engines for Caterpillar Built Machines

Media Number -UENR3278-07

Publication Date -01/09/2014

Date Updated -11/07/2016

i05224010

Engine Oil Relief Valve - Remove and Install

SMCS - 1315-010

Removal Procedure

Note: Refer to Specification UENR3421 "Engine Design" for non-specified engine Torque Values.

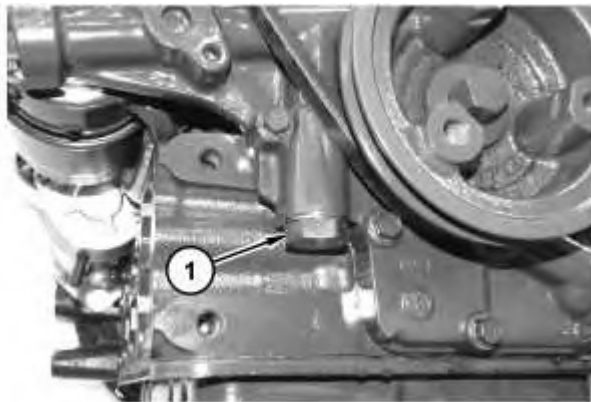


Illustration 1

g02788578

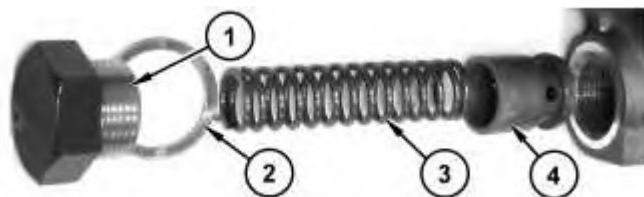


Illustration 2

g02788541



WARNING

Personal injury can result from being struck by parts propelled by a released spring force.

Make sure to wear all necessary protective equipment.

Follow the recommended procedure and use all recommended tooling to release the spring force.

1. Loosen plug (1). Carefully remove plug (1) from the front housing cover.

Note: The spring force will be released when the plug is removed.

2. Remove plug (1), washer (2), spring (3), and plunger (4) from the bore for the relief valve in the front housing cover.

Installation Procedure

1. Install engine oil relief valve in the reverse order of removal.

- a. Install plug (1) and tighten plug (1) to a torque of 69 to 78 N·m (51 to 57 lb ft).

Note: Ensure that the spring is properly located inside the plunger and the plug.

Product: COMPACT WHEEL LOADER

Model: 907M COMPACT WHEEL LOADER Z77

Configuration: 907M Compact Wheel Loader Z7700001-UP (MACHINE) POWERED BY C3.3B Engine

Disassembly and Assembly

C3.3B Tier 4 Final and EU Stage 3B Engines for Caterpillar Built Machines

Media Number -UENR3278-07

Publication Date -01/09/2014

Date Updated -11/07/2016

i05306471

Engine Oil Pump - Remove and Install

SMCS - 1304-010

Removal Procedure

Start By:

- a. Remove the front housing.

Note: Refer to Specifications, "Engine Design" for non-specified engine torque values.

NOTICE

Care must be taken to ensure that fluids are contained during performance of inspection, maintenance, testing, adjusting and repair of the product. Be prepared to collect the fluid with suitable containers before opening any compartment or disassembling any component containing fluids.

Dispose of all fluids according to local regulations and mandates.



Illustration 1

g02788686

1. Remove screws (2) and cover (1).

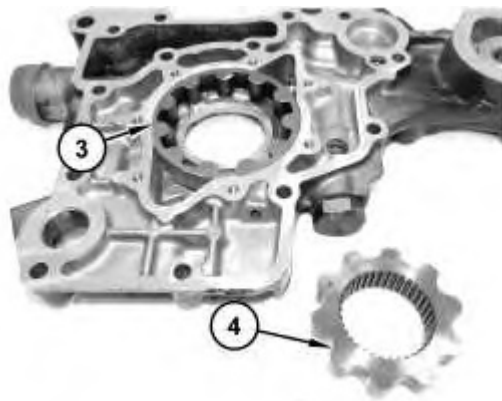


Illustration 2

g02788689

2. Remove inner rotor (4) from outer rotor (3).

Installation Procedure

Table 1

Required Tools			
Tool	Part Number	Part Description	Qty
A	129-1967	White Grease	1

NOTICE

Keep all parts clean from contaminants.

Contaminants may cause rapid wear and shortened component life.

NOTICE

If any part of the engine oil pump is worn or damaged, the complete assembly of the engine oil pump must be replaced.

1. Ensure that all components of the engine oil pump are clean and free from wear and damage.
2. Refer to Specifications, "Engine Oil Pump" for all the engine oil pump allowable clearances.

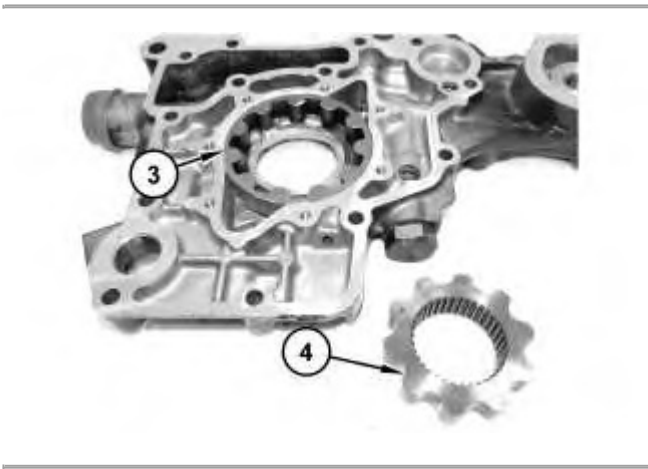


Illustration 3

g02788689

3. Position outer rotor (3) into the pump body. Check the clearance between outer rotor (3) and the pump body.
4. Install inner rotor (4) into outer rotor (3). Check the clearance between the lobes of outer rotor (3) and inner rotor (4).

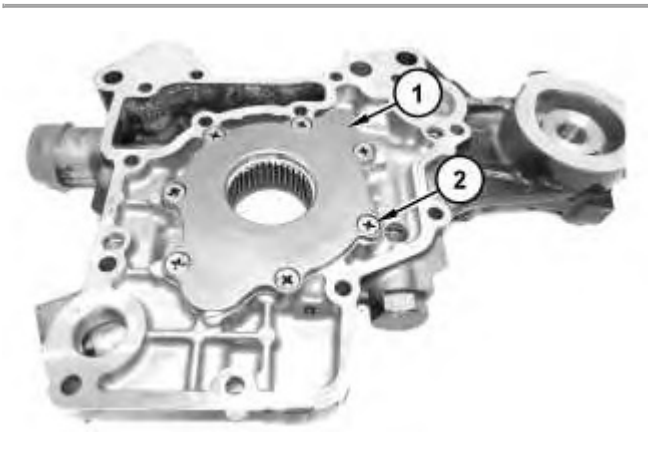


Illustration 4

g02788686

5. Position a strip of Plastigage onto the outer rotor face with Tooling (A). Position cover (1) and install screws (2) and torque. Remove cover (1) and check clearance between the rotor and cover (1).

6. Position cover (1) and install screws (2). Tighten screws (2) to a torque of 8 to 9 N·m (70 to 83 lb in).

End By:

- a. Install the front housing.
-

Product: COMPACT WHEEL LOADER

Model: 907M COMPACT WHEEL LOADER Z77

Configuration: 907M Compact Wheel Loader Z7700001-UP (MACHINE) POWERED BY C3.3B Engine

Disassembly and Assembly

C3.3B Tier 4 Final and EU Stage 3B Engines for Caterpillar Built Machines

Media Number -UENR3278-07

Publication Date -01/09/2014

Date Updated -11/07/2016

i05223975

Water Pump - Remove and Install

SMCS - 1361-011; 1361-012

Removal Procedure

Start By:

- a. Remove the v-belts.

Note: Refer to Specification UENR3421 "Engine Design" for non-specified engine Torque Values.

1. Refer to Operation and Maintenance Manual, "Cooling System Coolant (ELC) - Change" for the correct draining and filling procedures.

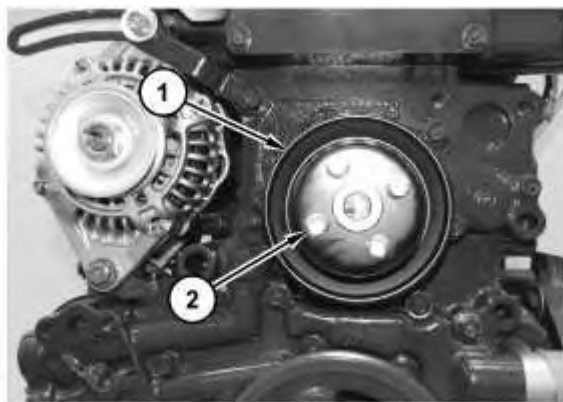


Illustration 1

g02794283

2. Remove bolts (2) and remove pulley (1).
-

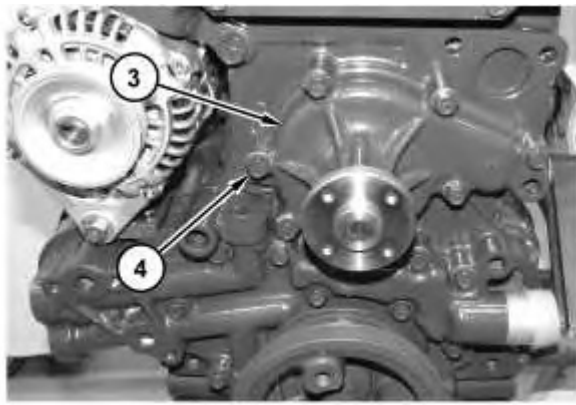


Illustration 2

g02794286

3. Remove bolts (4).
4. Remove water pump (3) and discard the gasket. Install a new gasket upon installation.

Installation Procedure

1. Install water pump (3) in the reverse order of removal.
-

Product: COMPACT WHEEL LOADER

Model: 907M COMPACT WHEEL LOADER Z77

Configuration: 907M Compact Wheel Loader Z7700001-UP (MACHINE) POWERED BY C3.3B Engine

Disassembly and Assembly

C3.3B Tier 4 Final and EU Stage 3B Engines for Caterpillar Built Machines

Media Number -UENR3278-07

Publication Date -01/09/2014

Date Updated -11/07/2016

i05350461

Water Temperature Regulator - Remove and Install

SMCS - 1355-010

Removal Procedure

Note: Refer to Specification UENR3421 "Engine Design" for non-specified engine Torque Values.

NOTICE

Care must be taken to ensure that fluids are contained during performance of inspection, maintenance, testing, adjusting and repair of the product. Be prepared to collect the fluid with suitable containers before opening any compartment or disassembling any component containing fluids.

Dispose of all fluids according to local regulations and mandates.

1. Refer to Operation and Maintenance Manual, "Cooling System Coolant (ELC) - Change" for the correct draining and filling procedures.

Note: Coolant only needs drained to below the water temperature regulator.

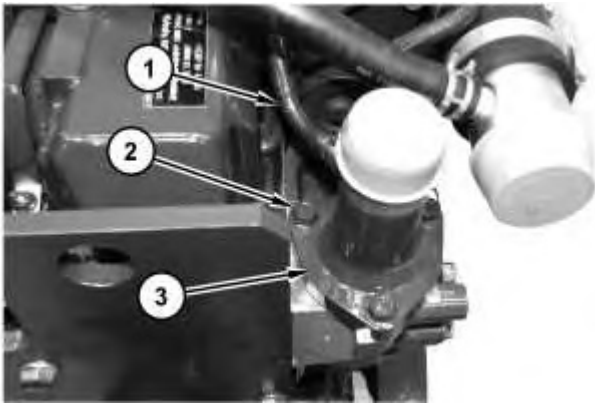


Illustration 1

g02794379

2. Disconnect hose assembly (1).
3. Remove bolts (2) from the water temperature regulator housing . Remove water temperature regulator elbow (3).

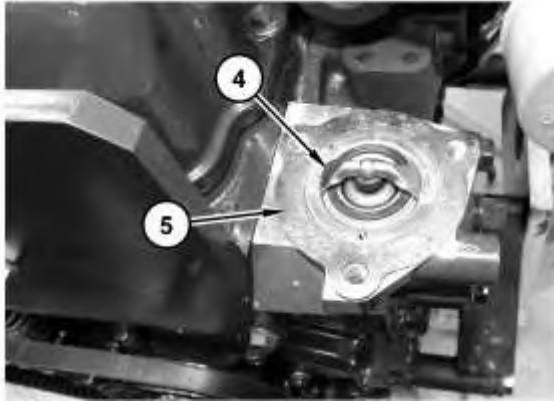


Illustration 2

g02794381



Illustration 3

g02794385

4. Remove gasket (5) and remove water temperature regulator (4) from the water temperature regulator housing.

Note: Note the orientation of the water temperature regulator elbow.

Installation Procedure

1. Install water temperature regulator (4) in the reverse order of removal.
 - a. Check the water temperature regulator for correct operation. Refer to System Operation, Testing and Adjusting, "Water Temperature Regulator - Test" for the correct procedure to test the water temperature regulator. If any components of the water temperature regulator housing are worn or damaged, the complete assembly must be replaced.

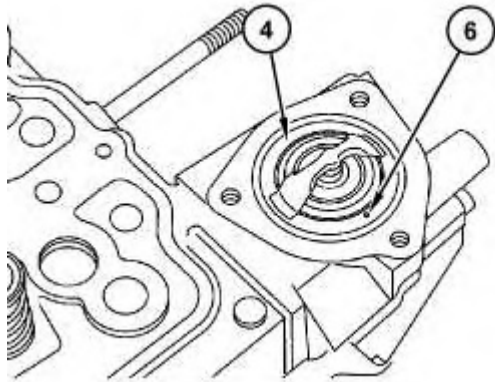


Illustration 4

g03388931

2. When installing thermostat (4) be sure to orientate hole (6) facing forward front cover side.
-

Product: COMPACT WHEEL LOADER

Model: 907M COMPACT WHEEL LOADER Z77

Configuration: 907M Compact Wheel Loader Z7700001-UP (MACHINE) POWERED BY C3.3B Engine

Disassembly and Assembly

C3.3B Tier 4 Final and EU Stage 3B Engines for Caterpillar Built Machines

Media Number -UENR3278-07

Publication Date -01/09/2014

Date Updated -11/07/2016

i05306590

Flywheel - Remove and Install

SMCS - 1156-010

Removal Procedure

Table 1

Required Tools			
Tool	Part Number	Part Description	Qty
A	-	Guide Stud M12 - 1.25 - by 100 mm	2
B	138-7573	Link Bracket	1

Note: Refer to Specifications, "Engine Design" for non-specified engine torque values.

NOTICE

Keep all parts clean from contaminants.

Contaminants may cause rapid wear and shortened component life.

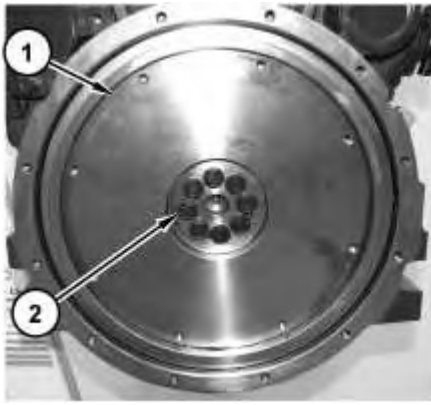


Illustration 1

g02794543

1. Remove two bolts (2) from flywheel (1).

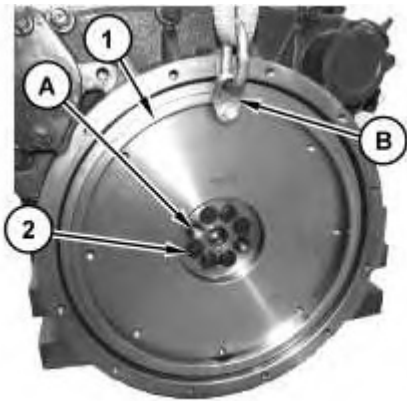


Illustration 2

g02798921

2. Install Tooling (A) into the crankshaft.
3. Install Tooling (B) and a suitable lifting device on flywheel (1). The weight of flywheel (1) is approximately 30 kg (66 lb).
4. Remove remaining bolts (2).
5. Remove flywheel (1) from the cylinder block.





Suggest:

For more complete manuals. Please go to the home page.

<https://www.ebooklibonline.com>

If the above button click is invalid. Please download this document first, and then click the above link to download the complete manual.

Thank you so much for reading

6. Inspect flywheel (1) and the ring gear (3) for wear and damage. Replace any worn components or damaged components.
7. If necessary, remove the flywheel ring gear (3), follow Step 7.a through Step 7.b.
 - a. Place the flywheel assembly on a suitable support.
 - b. Use a hammer and a punch in order to remove ring gear (3) from flywheel (1). If necessary, a torch may be needed to heat ring gear (3).

Note: Identify the orientation of the teeth on the flywheel ring gear (3).

Installation Procedure

Table 2

Required Tools			
Tool	Part Number	Part Description	Qty
A	-	Guide Stud M12 - 1.25 by 100 mm	2
B	138-7573	Link Bracket	1

NOTICE

Keep all parts clean from contaminants.

Contaminants may cause rapid wear and shortened component life.



WARNING

Always wear protective gloves when handling parts that have been heated.

1. If flywheel ring gear (3) was removed, follow Step 1.a through Step 1.c in order to install ring gear (3) to flywheel (1).

- a. Identify the orientation of teeth on new ring gear (3).

Note: The chamfered side of ring gear teeth must face toward the starting motor when the flywheel is installed. This position will ensure the correct engagement of the starting motor.

- b. Raise temperature of flywheel ring gear (3) in an oven to a maximum temperature of 250 °C (482 °F) prior to installation.

Note: Do not use a torch to heat the ring gear.

- c. Ensure that the orientation of ring gear (3) is correct and quickly install the ring gear onto flywheel (1).
-

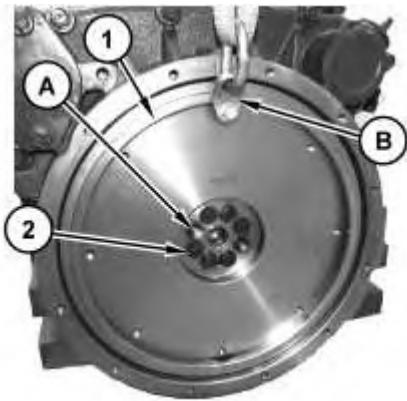


Illustration 5

g02798921

2. Install Tooling (B) and a suitable lifting device on flywheel (1). The weight of flywheel (1) is approximately 30 kg (66 lb).
 3. Install Tooling (A) into the crankshaft.
 4. Use the lifting device to position flywheel (1) onto Tooling (A).
 5. Install bolts (2) to flywheel (1).
 6. Remove Tooling (A).
-

<https://www.ebooklibonline.com>

Hello dear friend!

Thank you very much for reading.

Enter the link into your browser.

The full manual is available for immediate download.

<https://www.ebooklibonline.com>