

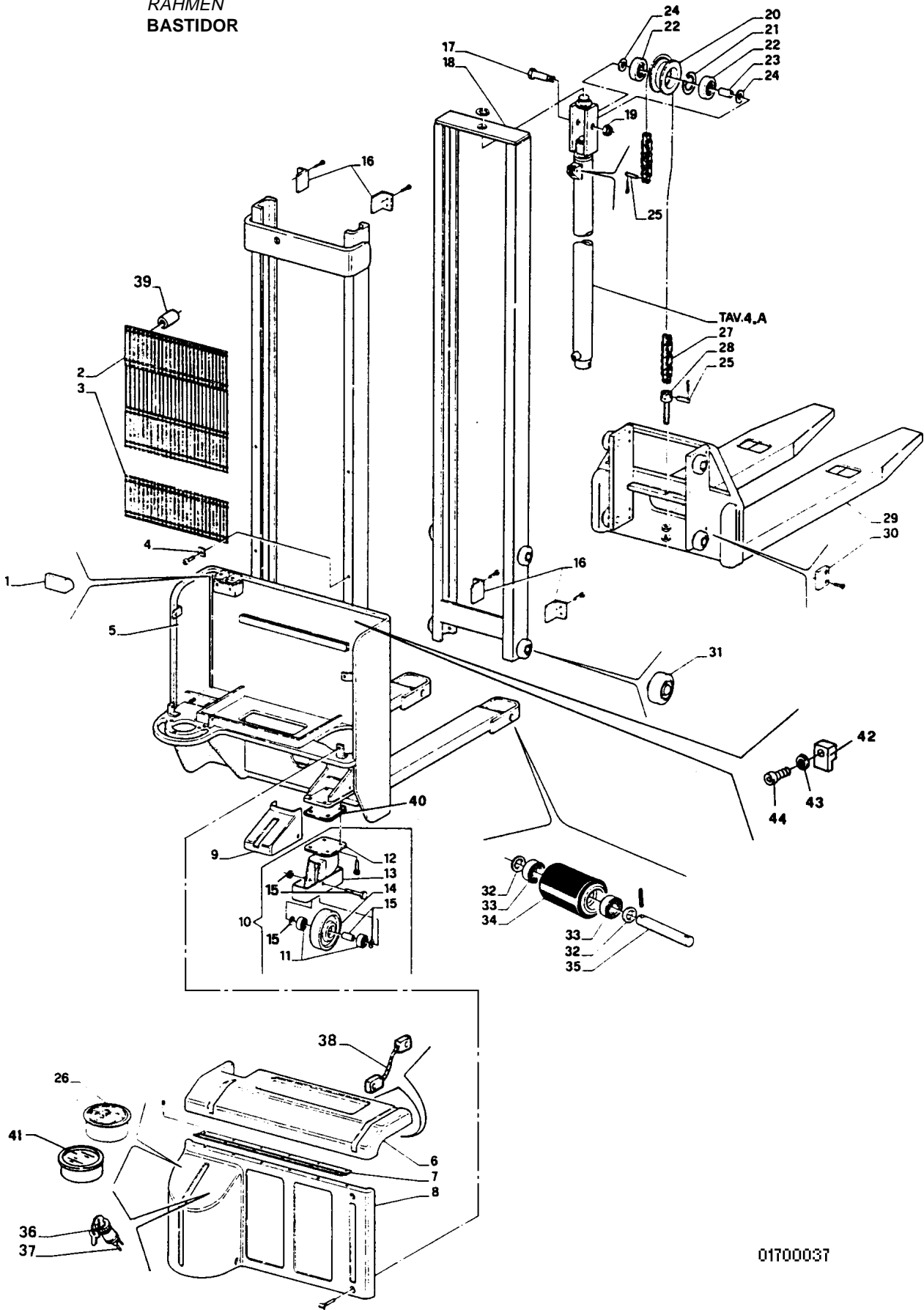
Part No: 258979903 (05-2006)

Parts Manual
Elenco Ricambi
Manuel des Pièces de Rechange
Ersatzteilkatalog
Manual de Repuestos

CE

MS 10E





01700037

Da matr. / Du matr. / Ab. seriennummer
From serial N° / Desde la matr.:

Fino a matr. / Jusqu' matr. / Bis zur serien-Nr.
Until serial N° / Hasta la matr.:

Ad esclusione di / À l'exclusion de
Mit ausnahme von / With the exception of / Excepto:

Compreso / Avec / Einschließlich
Including / Con:

A845X01624V

<https://www.ebooklibonline.com>

Hello dear friend!

Thank you very much for reading.

Enter the link into your browser.

The full manual is available for immediate download.

<https://www.ebooklibonline.com>

REF	PART N°	Qt.	DESCRIPTION	DESCRIZIONE	DESIGNATION	BENENNUNG	DENOMINACIONES
1	272052200	1	Cover	Coperchio	Couvercle	Deckel	Tapa
2	272116400	1	Guard (1 Stage/17-2 Stage/27)	Rete	Grillage	Drahnetz	Red
2	272116300	1	Guard (2 Stage/32)	Rete	Grillage	Drahnetz	Red
2	272115000	1	Guard (2 Stage/37)	Rete	Grillage	Drahnetz	Red
3	272115600	1	Guard (1 Stage/17)	Rete	Grillage	Drahnetz	Red
3	272115700	1	Guard (2 Stage/37)	Rete	Grillage	Drahnetz	Red
4	272018600	VM	Plate	Piastrina	Plaque	Plattchen	Placa
5	272192200	1	Frame (h 1700)	Telaio	Chassis	Rahmen	Bastidor
5	272192500	1	Frame (h 2700)	Telaio	Chassis	Rahmen	Bastidor
5	272193900	1	Frame (h 3200)	Telaio	Chassis	Rahmen	Bastidor
5	272192300	1	Frame (h 3700)	Telaio	Chassis	Rahmen	Bastidor
6	272116900	1	Top cover	Coperchio	Couvercle	Deckel	Tapa
7	272188400	1	Hinge	Cerniera	Charnière	Scharnier	Charnela
8	272151600	1	Cover	Carter	Carter	Gehäuse	Carter
9	272153000	1	Cover	Coperchio	Couvercle	Deckel	Tapa
10	272172600	1	Caster asm	Supporto girevole	Support	Traeger	Soporte
11	272002700	2	Bearing	Cuscinetto	Roulement	Lager	Rodamiento
12	272128900	1	Support	Supporto	Support	Traeger	Soporte
13	272088900	1	Guard	Protezione	Protection	Schutz	Defensa
14	272073200	1	Wheel	Ruota	Roue	Rad	Rueda
15	272098300	1	Axle group	Gruppo assale	Groupe essieu	Achsennguppe	Grupo eje
16	272024900	4	Bearing block (4mm)	Pattino	Patin	Schlitten	Patin
16	272024700	4	Bearing block (5 mm)	Pattino	Patin	Schlitten	Patin
16	272024500	4	Bearing block (6 mm)	Pattino	Patin	Schlitten	Patin
17	272094800	1	Shaft	Viteria	Vis	Schrauben	Tornillos
18	272183400	1	Inner upr. (2 Stage - 27)	Montant scorr.	Montant couliss	Schiebenhubger.	Montante corred.
18	272183100	1	Inner upr. (2 Stage - 32)	Mont. scorr.	Montant couliss	Schiebenhubger.	Montante corred.
18	272183200	1	Inner upr. (2 Stage - 37)	Mont. scorr.	Montant couliss	Schiebenhubger.	Montante corred.
19	272095900	1	Nut	Viteria	Vis	Schrauben	Tornillos
20	272089300	1	Sheave	Carrucola	Poulie	Scheibe	Polea
21	272022500	1	Retaining ring	Anello Seeger	Bague d'arret	Drahtsprengring	Anillo seguridad
22	272023400	2	Bearing	Cuscinetto	Roulement	Lager	Rodamiento
23	272063200	1	Tube	Tubo	Tuyau	Gummischlauch	Tubo
24	272006400	VM	Washer	Rondella	Rondelle	Scheibe	Arandela
25	272017600	2	Pin	Perno	Goujon	Bolzen	Pivote
26	272371600	1	Battery discharge meter	Voltmetro	Voltametre	Voltmeter	Voltmetro
27	272386000	1	Chain (h 1700)	Catena	Chaine	Kette	Cadena
27	272386100	1	Chain (h 2700)	Catena	Chaine	Kette	Cadena
27	272386200	1	Chain (h 3200)	Catena	Chaine	Kette	Cadena
27	272386300	1	Chain (h 3700)	Catena	Chaine	Kette	Cadena
28	272050100	1	Anchor	Perno	Goujon	Bolzen	Pivote
29	272149600	1	Fork carriage (1 Stage)	Forca (F1)	Fourche (F1)	Forke (F1)	Horca (F1)
29	272152000	1	Fork carriage (2 Stage)	Forca (F2)	Fourche (F2)	Forke (F2)	Horca (F2)

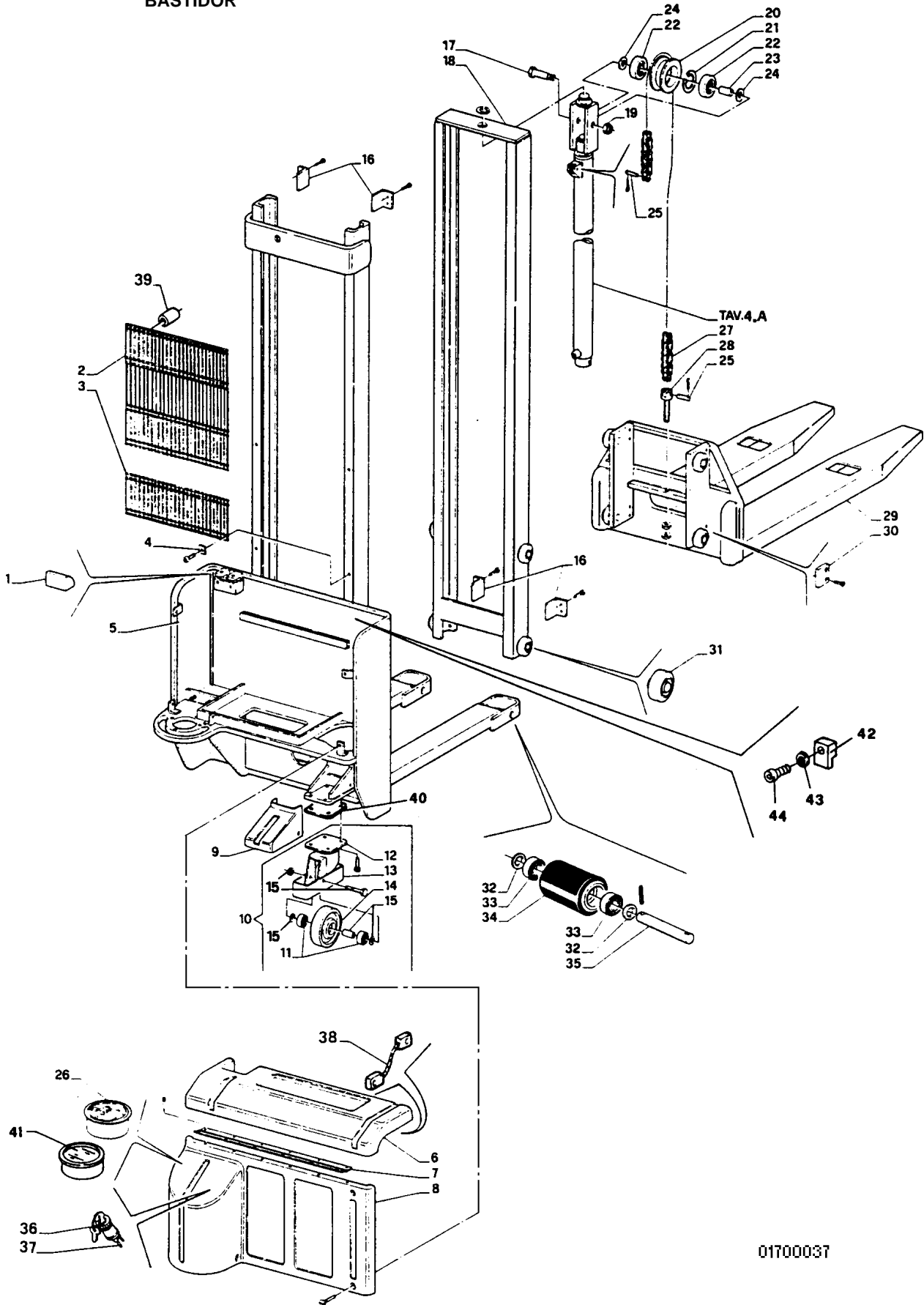
Da matr. / Du matr. / Ab. seriennummer
From serial N° / Desde la matr.:

Fino a matr. / Jusqu' matr. / Bis zur serien-Nr.
Until serial N° / Hasta la matr.:

Ad esclusione di / À l'exclusion de
Mit ausnahme / With the exception of / Excepto:

Compreso / Avec / Einschließlich
Including / Con:

A845X01624V



Da matr. / Du matr. / Ab. seriennummer
 From serial N° / Desde la matr.:

Fino a matr. / Jusqu' matr. / Bis zur serien-Nr.
 Until serial N° / Hasta la matr.:

Ad esclusione di / À l'exclusion de
 Mit ausnahme von / With the exception of / Excepto:

Compreso / Avec / Einschließlich
 Including / Con:

A845X01624V



Suggest:

For more complete manuals. Please go to the home page.

<https://www.ebooklibonline.com>

If the above button click is invalid. Please download this document first, and then click the above link to download the complete manual.

Thank you so much for reading

REF	PART N°	Qt.	DESCRIPTION	DESCRIZIONE	DESIGNATION	BENENNUNG	DENOMINACIONES
30	272014200	4	Bearing block (4mm)	Pattino Sp. 4	Patin Sp. 4	Schlitten Sp. 4	Patin Sp. 4
30	272014400	4	Bearing block (5 mm)	Pattino Sp. 5	Patin Sp. 5	Schlitten Sp. 5	Patin Sp. 5
30	272014500	4	Bearing block (6 mm)	Pattino Sp. 6	Patin Sp. 6	Schlitten Sp. 6	Patin Sp. 6
31	272011000	8	Bearing (complete)	Cuscinetto compl.	Roulement	Lager Rodamiento	Rodamiento
32	272024600	4	Washer	Rondella piana	Rondelle	Scheibe	Arandela
33	272002700	4	Bearing	Cuscinetto	Roulement	Lager	Rodamiento
34	272030100	2	Roller	Rullo	Roller	Rolle	Rodillo
35	272023800	2	Pin	Perno	Gojon	Bolzen	Pivote
36	272029100	1	Key switch	Interruttore a chiave	Interrupteur	Schalter	Interruptor
37	272121600	VM	Cable	Cavo elettrico	Cable	Leitung	Cable
38	272099700	1	Cable	Cavo metallico	Cable	Leitung	Cable
39	272198000	8	Spacer(1 Stage/17)	Distanziale	Entretoise	Entfern	Separador
39	272197900	6	Spacer(2 Stage/37)	Distanziale	Entretoise	Entfern	Separador
40	272125400	VM	Flange	Flangia	Bride	Flansch	Brida
41	272013500	1	Hourmeter	Contaore	Compteur horaire	Betriebsstundenzaeh.	Cuentaoras
42	272212800	2	Battery stop	Fermo batteria	Fixation batterie	Batteriestillstand	Sujetador batteria
43	272211100	2	Washer	Rondella	Rondelle	Scheibe	Arandela
44	272211200	2	Screw	Vite	Vis	Schrauben	Tornillos

Da matr. / Du matr. / Ab. seriennummer
From serial N° / Desde la matr.:

Fino a matr. / Jusqu' matr. / Bis zur serien-Nr.
Until serial N° / Hasta la matr.:

Ad esclusione di / À l'exclusion de
Mit ausnahme von / With the exception of / Excepto:

Compreso / Avec / Einschließlich
Including / Con:

A845X01624V

<https://www.ebooklibonline.com>

Hello dear friend!

Thank you very much for reading.

Enter the link into your browser.

The full manual is available for immediate download.

<https://www.ebooklibonline.com>