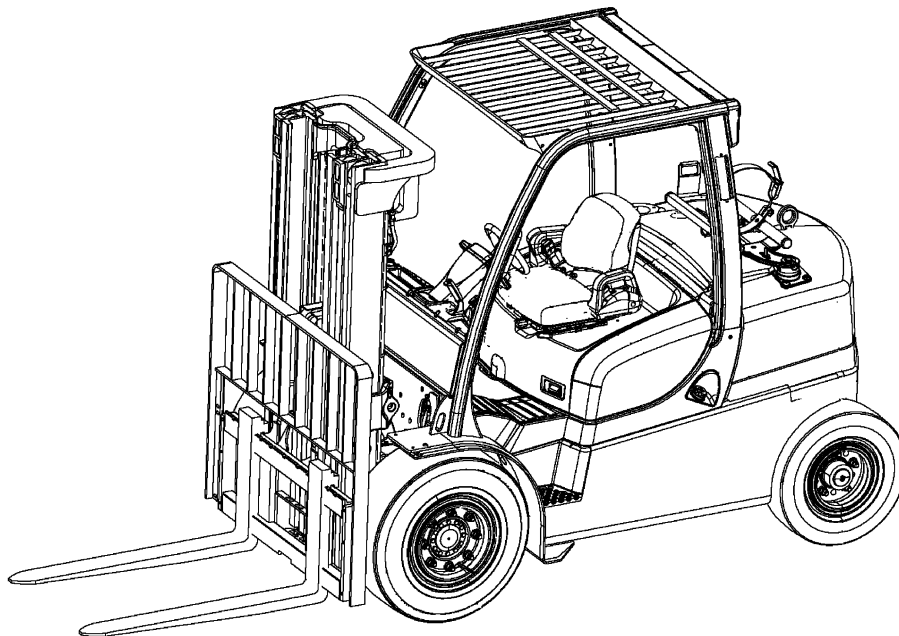


**GLP/GDP40VX5, GLP/GDP40VX6,
GLP/GDP45SVX5, GLP/GDP45VX6,
GLP/GDP50-55VX
(F813)**



1	GENERAL TRUCK
2	DIESEL ENGINE
3	LPG ENGINES
4	FUEL SYSTEM
5	ELECTRICAL SYSTEM
6	STEERING SYSTEM
7	BRAKE SYSTEM
8	TRANSMISSION
9	HYDRAULIC SYSTEM
10	MAST-TWO STAGE LIMITED FREE-LIFT
11	MAST-THREE STAGE FULL FREE-LIFT
12	MAST-TWO STAGE FULL FREE-LIFT
13	FORKS, LOAD BACKREST, AND MAST INSTALLATION
14	ATTACHMENTS AND HEADER HOSE GROUP
15	OPTIONS
16	NUMERICAL INDEX

**SECTION 1
GENERAL TRUCK**

DESCRIPTION	PAGE
CAB	
INTERIOR	
WITH STEEL AND PVC DOORS	
PENDING PER ECN 104918⇒	1.52
⇒PENDING PER ECN 104918	1.50
PVC DOORS	1.36
WINDOWS AND WINDOW WIPER SYSTEM	
WITH STEEL AND PVC DOORS	
PENDING PER ECN 104918⇒	1.42
⇒PENDING PER ECN 104918	1.38
WIRING AND ATTACHING PARTS	
WITH STEEL AND PVC DOORS	
PENDING PER ECN 104918⇒	1.48
⇒PENDING PER ECN 104918	1.46
CAB AND ATTACHING PARTS	
WITH PVC DOORS	1.34
WITH STEEL DOORS	1.26
CONTROL LEVER LABELS	
MANUAL HYDRAULICS	1.72
COUNTERWEIGHT	1.8
COWL MOUNTING	1.24
ELECTRONIC LEVER LABELS	
MINI LEVERS	1.74
FENDERS	1.20
FLOOR PLATES AND COVERS	
PENDING PER ECN 104914⇒	1.15
⇒PENDING PER ECN 104914	1.12
FULL SUSPENSION SEAT	
WITH AND WITHOUT ELECTRONIC CONTROLS	1.64
FULL SUSPENSION SWIVEL SEAT	
WITH AND WITHOUT ELECTRONIC CONTROLS	1.66
HEATER HOSE ARRANGEMENT	
CUMMINS 4.5L DIESEL	
WITH CAB	1.54
GM 4.3L LPG	
WITH CAB	1.56
HOOD ASSEMBLY	1.4
JOYSTICK CONTROL LABELS	1.76
WITH RETURN TO SET TILT	1.78
LABELS	
EXTERIOR	1.68
LABLES	
INTERIOR	1.70
MUD GUARDS	1.22
NON-SUSPENSION SEAT	
WITHOUT ELECTRONIC CONTROLS	1.60
OVERHEAD GUARD	1.10

<https://www.ebooklibonline.com>

Hello dear friend!

Thank you very much for reading.

Enter the link into your browser.

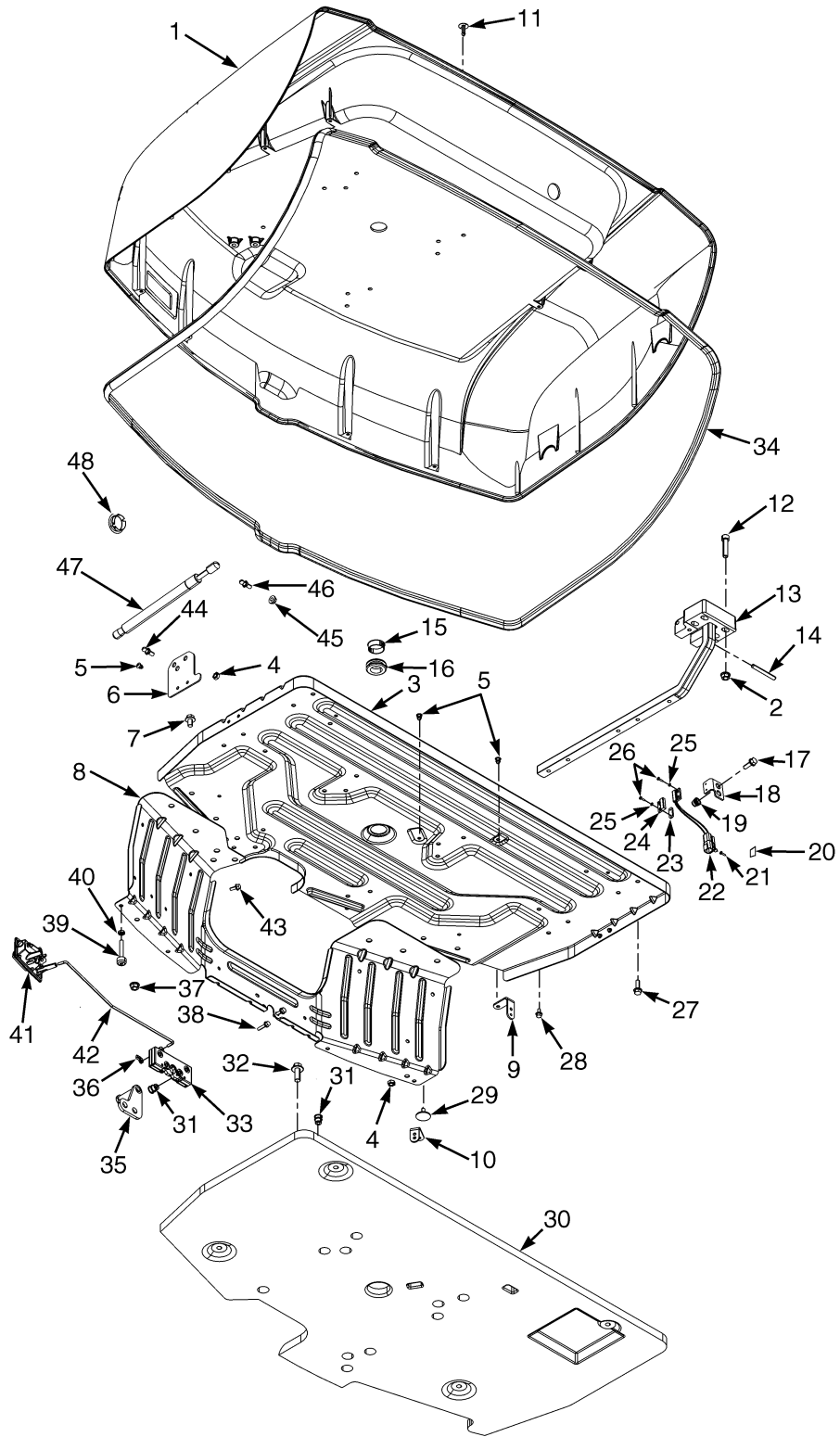
The full manual is available for immediate download.

<https://www.ebooklibonline.com>

CONTENTS

DESCRIPTION	PAGE
SEMI-SUSPENSION SEAT	
WITH AND WITHOUT ELECTRONIC CONTROLS	1.62
SLIDING REAR WINDOW	1.44
SOUND ABATEMENT	
WITH CAB	1.58
STEEL DOOR	
LEFT HAND	1.28
STEEL DOOR AND HEATER ASSEMBLY	
RIGHT HAND	1.30
UNDERBODY SHIELD	
DIESEL (GDP)	1.18

HOOD ASSEMBLY



BP120214



HOOD ASSEMBLY

ITEM	PART NO.	DESCRIPTION	QTY
1	524256881	Hood Assembly	1
1	524256876	Hood.....	1
1	b 524256880	Hood Assembly (Low Noise)	1
1	b 524256879	Hood (Low Noise)	1
2	580027572	Nut	6
3	580069655	Reinforcement (Top)	1
4	518805632	Nut	8
5	580065386	Huck Bolt.....	6
6	580069656	Bracket.....	2
7	580037179	Capscrew	6
8	580064906	Reinforcement (Front)	1
9	580058135	Bracket.....	1
10	580064907	Bracket.....	1
11	580049758	Fastener	8
12	932202908	Capscrew.....	4
13	580064909	Hinge Assembly.....	2
14	580070675	Pin.....	1
15	580058137	Plug	1
16	580051832	Grommet.....	1
17	580056815	Capscrew.....	2
18	580056665	Bracket	1
19	580044861	Insert	2
20	580026812	Clip	1
21	580056613	Fastener	1
22	580071587	Reed Switch	1
22	580071586	Switch.....	1
22	580022893	Connector.....	1
23	580057864	Plate	1
24	580051442	Magnet	1
25	940004902	Washer	4
26	449007024	Screw.....	4
27	580030966	Capscrew.....	8
28	580039900	Capscrew.....	8
29	518793609	Fastener	4
30	580064912	Liner	1
31	580044860	Insert	4
32	580056527	Capscrew.....	6
33	580064913	Latch.....	1
34	580064911	Seal	1
35	580073741	Latch (Striker).....	1
36	580037719	Clip	2
37	580027572	Nut.....	4
38	580049840	Capscrew.....	4
39	580058383	Bumper (Hood).....	2
40	580004592	Nut.....	2
41	580054191	Handle	1
42	580064914	Rod (Link).....	1
43	580049011	Capscrew.....	2
44	580049915	Ball Stud (With Cab).....	3
44	580049915	Ball Stud (With Overhead Guard).....	4

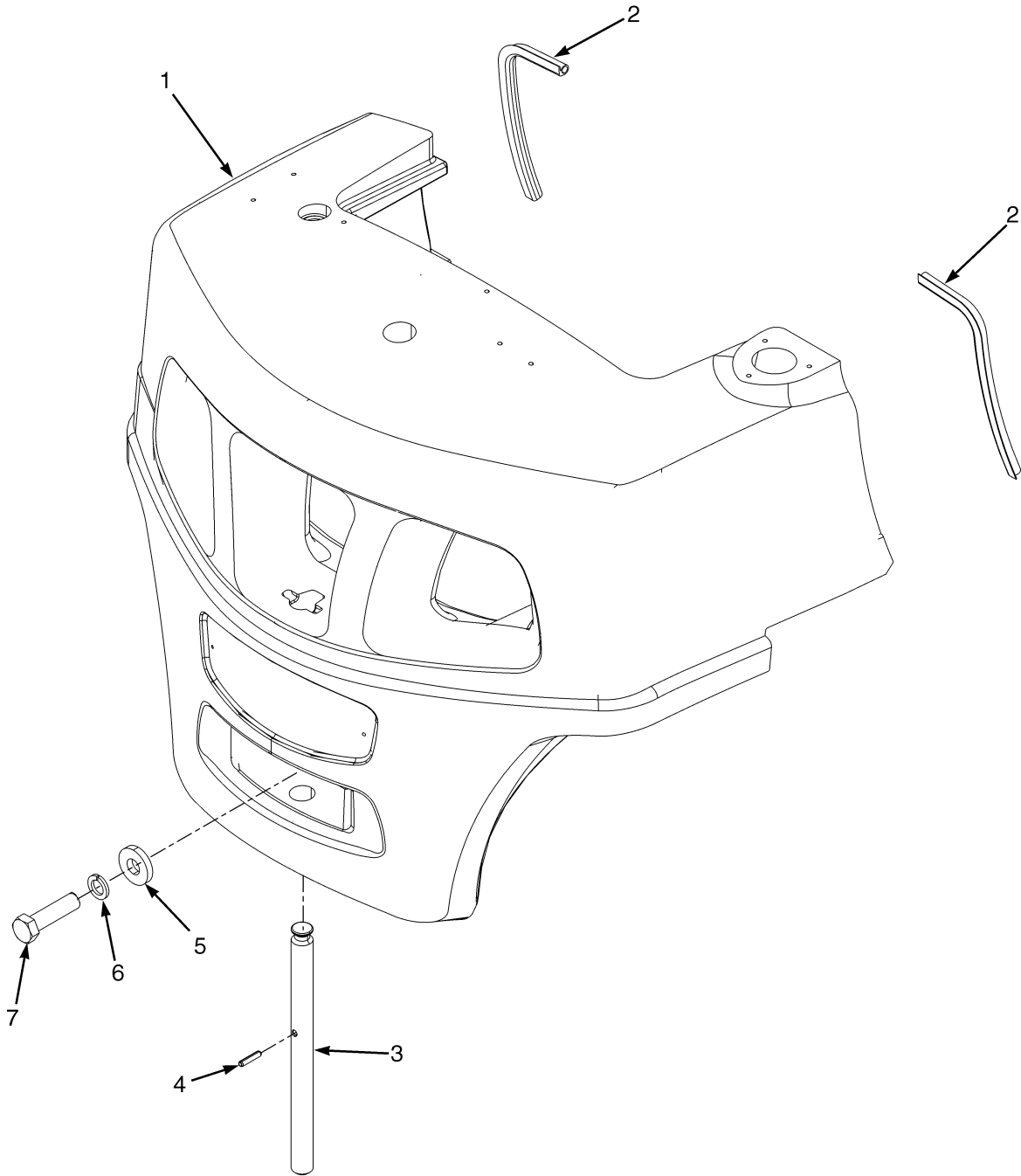
HOOD ASSEMBLY

ITEM	PART NO.	DESCRIPTION	QTY
45	580058190	Nut.....	4
46	580064627	Ball Stud (With Cab)	1
47	580072744	Gas Spring (With Overhead Guard)	2
47	580072744	Gas Spring (With Cab - RH)	1
47	580066569	Gas Spring (Locking) (With Cab - LH)	1
48	524255979	Plug (Gold)	1
	abc 580074748	Hood Liner (Low Noise) (LH Panel).....	1
	abc 580074749	Hood Liner (Low Noise) (RH Panel)	1
	abc 580074750	Hood Liner (Low Noise) (Front Panel)	1

FOOTNOTES:

- a** Not Illustrated
- b** Used with Cab
- c** ⇒ PENDING PER ECN 104877

COUNTERWEIGHT

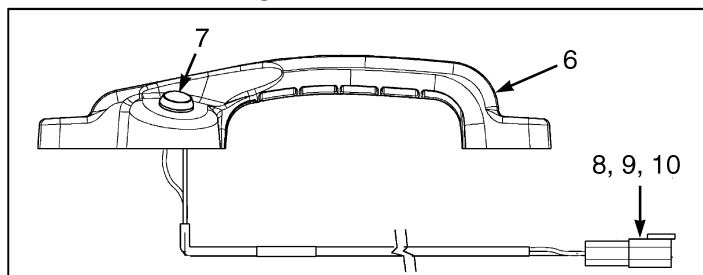
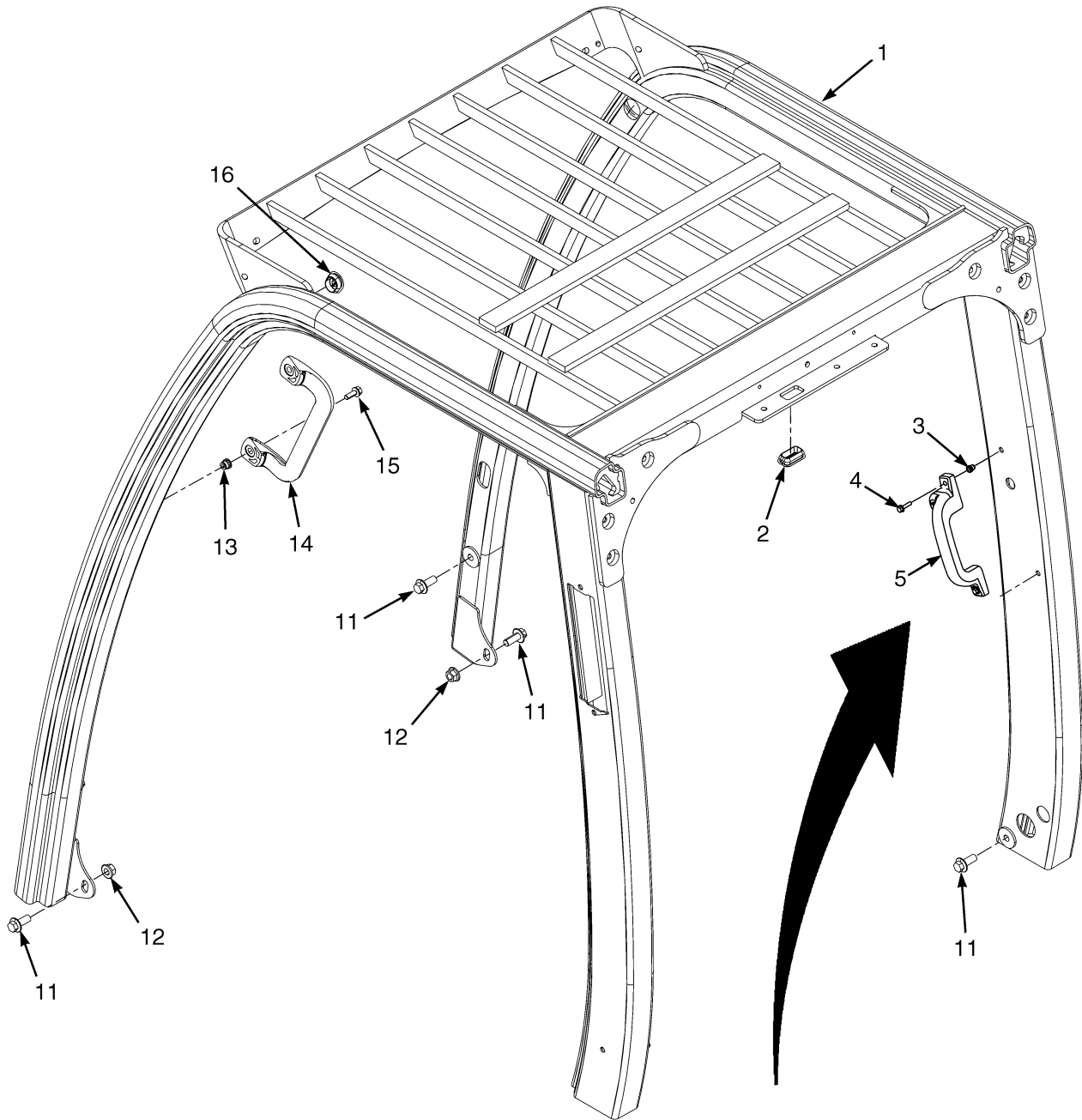


ITEM	PART NO.	DESCRIPTION	QTY
1	a 524220276	Counterweight (GLP/GDP 40VX5)	1
1	b 524302330	Counterweight (GLP/GDP 40VX5)	1
1	a 524220277	Counterweight (GLP/GDP 40VX6)	1
1	b 524302331	Counterweight (GLP/GDP 40VX6)	1
1	a 524220278	Counterweight (GLP/GDP 45SVX5)	1
1	b 524302332	Counterweight (GLP/GDP 45SVX5)	1
1	a 524220284	Counterweight (GLP/GDP 45VX6)	1
1	b 524302335	Counterweight (GLP/GDP 45VX6)	1
1	a 524220279	Counterweight (GLP/GDP 50-55VX)	1
1	b 524302333	Counterweight (GLP/GDP 50-55VX)	1
2	580063909	Seal	2
3	a 580074022	Tow Pin	1
3	b 580084587	Tow Pin	1
4	954513908	Pin	1
5	580053098	Washer	1
6	955400912	Lockwasher	1
7	931011914	Capscrew	1

FOOTNOTES:

- a** ⇒ PENDING PER ECN 10402591
- b** PENDING PER ECN 10402591 ⇒

OVERHEAD GUARD



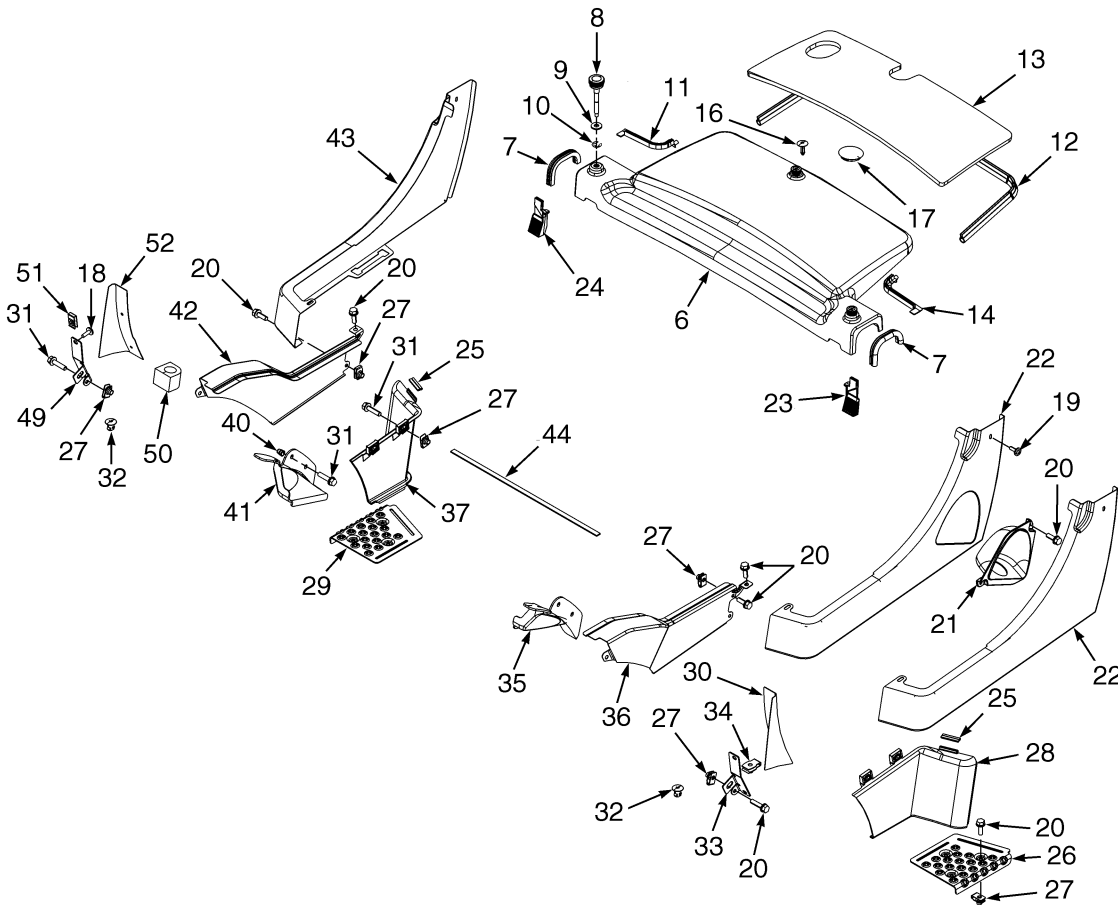
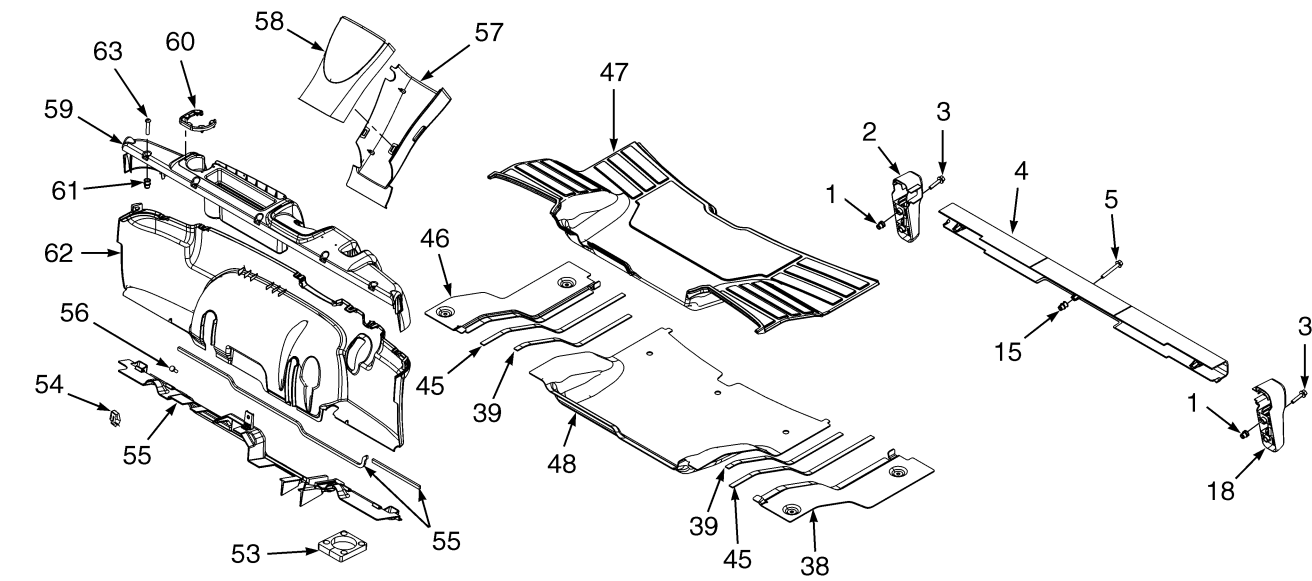
BP120165

ITEM	PART NO.	DESCRIPTION	QTY
1	524240425	Overhead Guard (Tall)	1
1	524240431	Overhead Guard (Short).....	1
2	524208883	Grommet.....	1
3	580041704	Insert	2
4	580058212	Capscrew.....	2
5	580051747	Handle Assembly.....	1
6	580050959	Handle.....	1
7	580058447	Switch.....	1
8	580022893	Connector.....	1
9	505968540	Secondary Lock.....	1
10	505968514	Terminal (Pin)	2
11	580051941	Capscrew.....	8
12	580056528	Nut.....	2
13	580044861	Insert	4
14	580056526	Handle (Grab).....	1
15	580056815	Capscrew.....	2
16	524201323	Grommet.....	2
	a 258979300	Plug	4
	a 524240692	Plug	1

FOOTNOTES:

a Not Illustrated

FLOOR PLATES AND COVERS
 (⇒PENDING PER ECN 104914)



BP120211

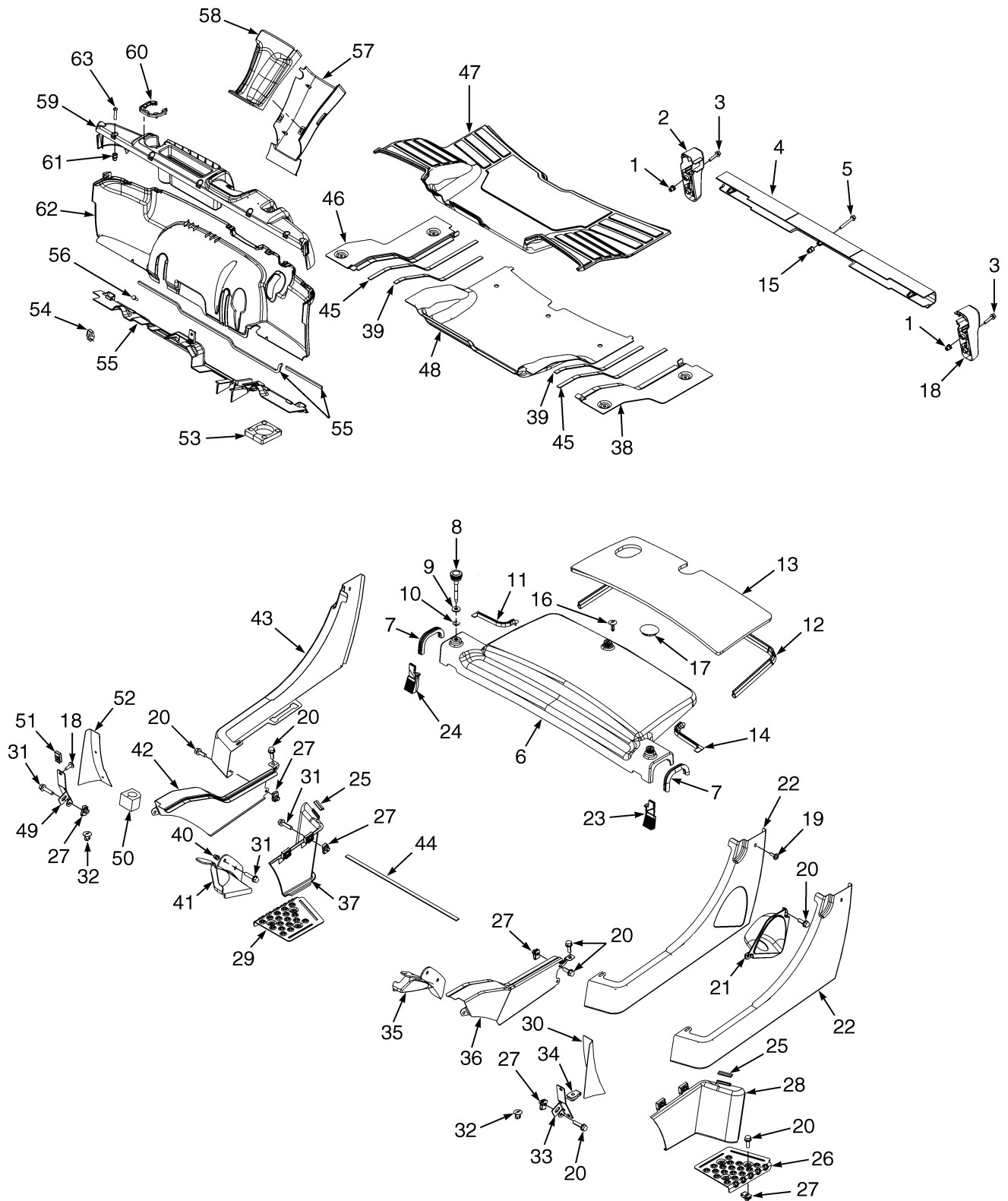


FLOOR PLATES AND COVERS
 (⇒PENDING PER ECN 104914)

ITEM	PART NO.	DESCRIPTION	QTY
1	580041704	Insert	2
2	580037206	Tail Light Base (RH).....	1
3	580058212	Capscrew.....	4
4	580048573	Cover	1
5	580041711	Capscrew.....	3
6	524232018	Radiator Cover Assembly.....	1
6	524231093	Cover.....	1
7	580063962	Seal.....	2
8	580058734	Screw	2
9	504226242	Washer.....	3
10	507353800	Snap Ring	3
11	580064084	Seal (RH)	1
12	580059335	Seal.....	1
13	580068109	Sound Liner.....	1
14	580064083	Seal (LH).....	1
15	580044859	Insert	3
16	580049758	Fastener	5
17	922365300	Cap.....	1
18	580037205	Tail Light Base (LH)	1
19	524180729	Screw.....	6
20	580056815	Capscrew.....	20
21	524149438	Splash Shield	1
22	524228462	Panel (Rear LH) (LPG Only).....	1
22	524228461	Panel (Rear LH) (Diesel Only).....	1
23	580082818	Seal (LH)	1
24	580072819	Seal	1
25	580056224	Trim Seal	2
26	580049835	Plate (LH)	1
27	580026621	Clip Nut.....	22
28	524246732	Panel (LH Step).....	1
29	580049836	Plate (RH).....	1
30	524214788	Cover (LH Fender).....	1
31	580058269	Capscrew.....	10
32	524224752	Plug	4
33	580061696	Bracket (LH)	1
34	580012987	Clip Nut.....	2
35	580071073	Flap (LH).....	1
36	524239043	Panel (Front).....	1
37	524246733	Panel (RH Step)	1
38	580058320	Floor Plate (LH).....	1
39	580063913	Seal	1
40	580044860	Insert	4
41	580071074	Flap (RH).....	1
42	524239044	Panel (Front RH).....	1
43	524228463	Panel (Rear RH)	1
44	580058798	Seal	1
45	580063913	Seal	2
46	580058321	Floor Plate (RH).....	1
47	580061291	Floor Mat	1
48	580058319	Floorplate (Center)	1

FLOOR PLATES AND COVERS
 (⇒PENDING PER ECN 104914)

ITEM	PART NO.	DESCRIPTION	QTY
49	580061697	Bracket (RH)	1
50	580038033	Grommet.....	1
51	504225257	Nut.....	4
52	524214789	Cover (RH Fender)	1
53	580060870	Seal	1
54	580046139	Clip	2
55	580052156	Plate Assembly.....	1
55	580064147	Seal	1
56	909904403	Screw.....	2
57	580046138	Cover (Steering Column).....	1
58	580046143	Cover (Steering Column).....	1
59	580058909	Dash Assembly (Manual Hydraulics).....	1
59	580058910	Dash Assembly (Electronic Hydraulics).....	1
60	580052409	Cup Holder	1
61	580044859	Insert	5
62	580052292	Kick Panel (Single Brake Pedal)	1
62	580059919	Kick Panel (Dual Brake Pedal).....	1
63	932728908	Capscrew.....	5



FLOOR PLATES AND COVERS
(PENDING PER ECN 104914⇒)

ITEM	PART NO.	DESCRIPTION	QTY
1	580041704	Insert	2
2	580037206	Tail Light Base (RH).....	1
3	580058212	Capscrew.....	4
4	580048573	Cover	1
5	580041711	Capscrew.....	3
6	524232018	Radiator Cover Assembly	1
6	524231093	Cover	1
7	580063962	Seal	2
8	580058734	Screw	2
9	504226242	Washer	3
10	507353800	Snap Ring	3
11	580064084	Seal (RH)	1
12	580059335	Seal	1
13	580068109	Sound Liner.....	1
14	580064083	Seal (LH)	1
15	580044859	Insert	3
16	580049758	Fastener	5
17	922365300	Cap.....	1
18	580037205	Tail Light Base (LH)	1
19	524180729	Screw.....	6
20	580056815	Capscrew.....	20
21	524149438	Splash Shield	1
22	524228462	Panel (Rear LH) (LPG Only).....	1
22	524228461	Panel (Rear LH) (Diesel Only).....	1
23	580082818	Seal (LH)	1
24	580072819	Seal	1
25	580056224	Trim Seal	2
26	580049835	Plate (LH)	1
27	580026621	Clip Nut.....	22
28	524246732	Panel (LH Step).....	1
29	580049836	Plate (RH).....	1
30	524214788	Cover (LH Fender).....	1
31	580058269	Capscrew.....	10
32	524224752	Plug	4
33	580061696	Bracket (LH)	1
34	580012987	Clip Nut.....	2
35	580071073	Flap (LH).....	1
36	524239043	Panel (Front).....	1
37	524246733	Panel (RH Step)	1
38	580058320	Floor Plate (LH)	1
39	580063913	Seal	1
40	580044860	Insert	4
41	580071074	Flap (RH).....	1
42	524239044	Panel (Front RH).....	1
43	524228463	Panel (Rear RH)	1
44	580058798	Seal	1
45	580063913	Seal	2
46	580058321	Floor Plate (RH).....	1
47	580061291	Floor Mat	1
48	580058319	Floorplate (Center)	1



Suggest:

For more complete manuals. Please go to the home page.

<https://www.ebooklibonline.com>

If the above button click is invalid. Please download this document first, and then click the above link to download the complete manual.

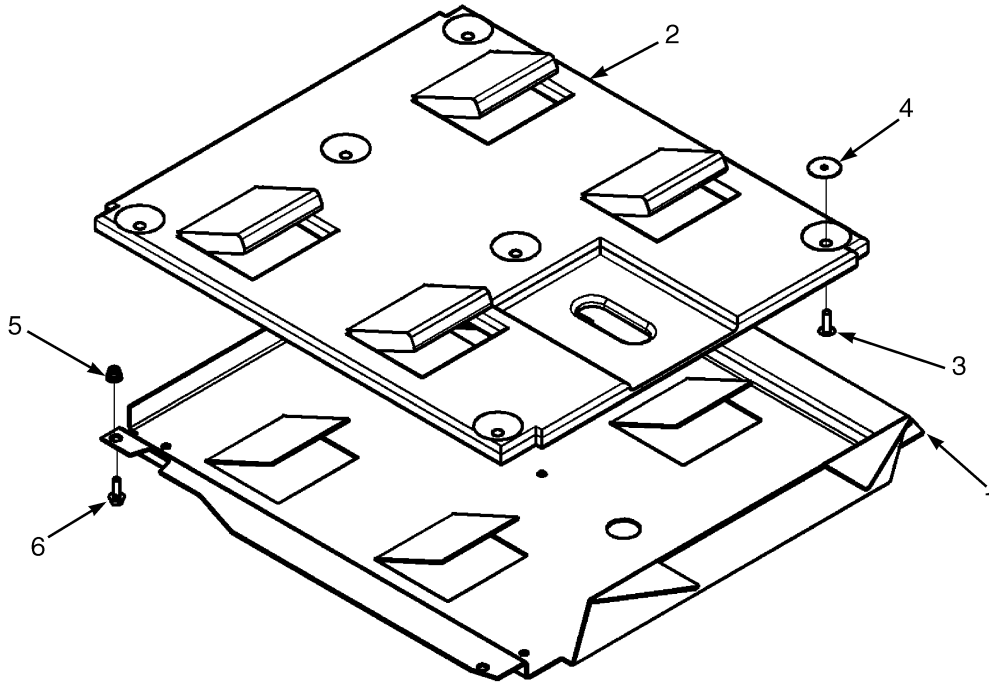
Thank you so much for reading



FLOOR PLATES AND COVERS
(PENDING PER ECN 104914⇒)

ITEM	PART NO.	DESCRIPTION	QTY
49	580061697	Bracket (RH)	1
50	580038033	Grommet.....	1
51	504225257	Nut	4
52	524214789	Cover (RH Fender)	1
53	580060870	Seal	1
54	580046139	Clip	2
55	580052156	Plate Assembly.....	1
55	580064147	Seal	1
56	909904403	Screw.....	2
57	580046138	Cover (Steering Column).....	1
58	580083020	Cover (Steering Column Upper)	1
59	580058909	Dash Assembly (Manual Hydraulics).....	1
59	580058910	Dash Assembly (Electronic Hydraulics).....	1
60	580052409	Cup Holder	1
61	580044859	Insert	5
62	580052292	Kick Panel (Single Brake Pedal)	1
62	580059919	Kick Panel (Dual Brake Pedal).....	1
63	932728908	Capscrew.....	5

**UNDERBODY SHIELD
(DIESEL (GDP))**



BP120308

KEY:

A: GDP40VX5-GDP45VX6

B: GDP45SVX6-GDP50VX

ITEM	PART NO.	DESCRIPTION	QTY	
			A	B
1	580078377	Underbody Shield	1	..
1	580078378	Underbody Shield	1
2	580078379	Sound Liner	1	..
2	580078380	Sound Liner	1
3	580011023	Rivet	6	6
4	580013498	Washer	6	6
5	580044861	Insert	4	4
6	580030966	Capscrew.....	4	4

<https://www.ebooklibonline.com>

Hello dear friend!

Thank you very much for reading.

Enter the link into your browser.

The full manual is available for immediate download.

<https://www.ebooklibonline.com>