

Truck model / Carrello tipo / Chariot modele / Staplertyp / Tipo de carretilla
MO20 / MO20S / MO20F

Part No: 524235889 (06-2006)

From Serial No: D857X01500C

From Serial No: A943X01500C

Parts Manual
Catalogo Parti Ricambi
Manuel des Pièces de Rechange
Ersatzteilkatalog
Manual de Repuestos

MO20
MO20S
MO20F



| REF. | DIVISION / SEZIONE / SECTION / SEKTION / DIVISIÓN | PAGE NO. |
|------|---|----------|
| 1 | FRAME / TELAIO / CHÂSSIS / RAHMEN / BASTIDOR..... | 9 |
| 2 | DRIVE UNIT / GRUPPO TRAZIONE / GROUPE DE TRACTION / ZUGAGGREGAT / GRUPO DE TRACCION | 27 |
| 3 | STEERING GROUP / GRUPPO STERZO / GROUPE DIRECTION / EINHEIT LENKUNG / GRUPO DIRECCIÓN | 65 |
| 4 | OPERATOR PLATFORM / PEDANA / PLATEFORME / TRITTBRETT / PLATAFORMA | 75 |
| 5 | ELECTRICAL ARRANGEMENT / IMPIANTO ELETTRONICO / INSTALLATION ÉLECTRONIQUE / ELEKTRONIK / INSTALACION ELECTRONICA | 89 |
| 6 | HYDRAULICS / GRUPPO SOLLEVAMENTO / GROUPE DE SOULEVEMENT / HEBE-GRUPPE / GRUPO ELEVACIÓN | 97 |
| 7 | DIAGRAMS / SCHEMI / SCHÉMA / SCHEMA / ESQUEMA | 113 |
| 8 | OPTIONS / OPTIONAL / OPTIONNEL / WAHLFREI / OPCIONAL | 130 |
| 9 | INDEX NUMERICAL / INDICE NUMERICO / INDEX NUMÉRIQUE / NUMERISCHINDEX / INDICE NUMÉRICO..... | 146 |

<https://www.ebooklibonline.com>

Hello dear friend!

Thank you very much for reading.

Enter the link into your browser.

The full manual is available for immediate download.

<https://www.ebooklibonline.com>

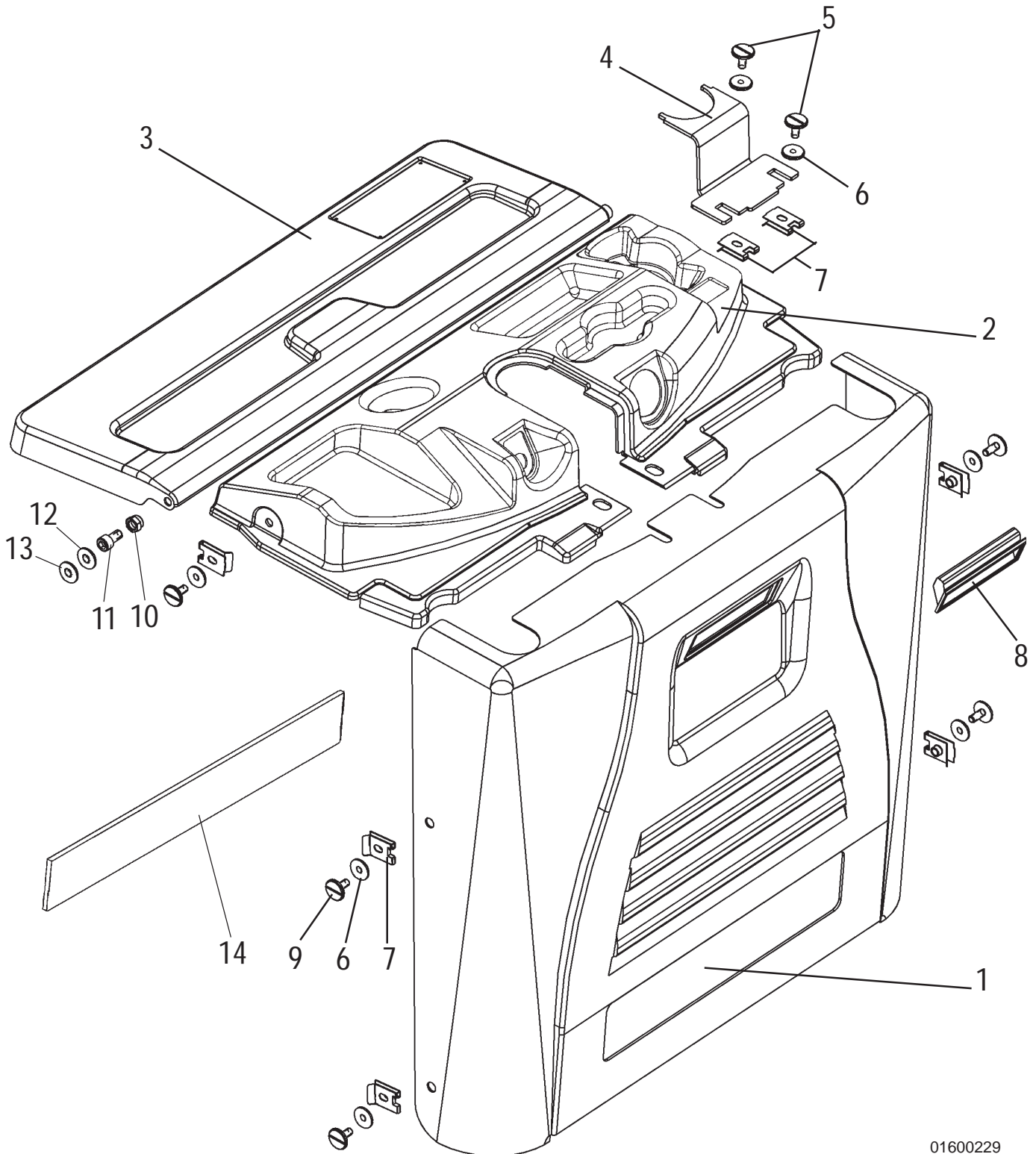
| PART SHEET INDEX - INDICE DELLE TAVOLE - INDEX DES TABLES - TAFELVERZEICHNIS - INDICE DE TABLAS | PAGE NO. |
|---|----------|
| COVERS / CARTER / COUVERCLE / DECKEL / TAPAS MO20F (SHEET 1.A) | 10-11 |
| COVERS VERTICAL BATTERY REMOVAL / CARTER ESTRAZIONE VERTICALE BATTERIA / COUVERCLE EXTRACTION VERTICALE BATTERIE / DECKEL KONVENTIONELLE BATTERIEWECHSEL/ TAPAS EXTRACCION VERTICAL BATERIA MO20-MO20S (SHEET 2.A) | 12-13 |
| COVERS LATERAL BATTERY REMOVAL / CARTER ESTRAZIONE LATERALE BATTERIA / COUVERCLE EXTRACTION LATERALE BATTERIE / DECKEL SEITLICHER BATTERIEWECHSEL/ TAPAS EXTRACCION LATERAL BATERIA MO20-MO20S (SHEET 3.A) | 14-15 |
| ADHESIVE LABELS / TARGHETTE ADESIVE / AUTOCOLLANTS DE SIGNALISATION / ABZ.-BILD / ADESIVOS DE AVISO MO20F (SHEET 4.A) | 16-17 |
| ADHESIVE LABELS / TARGHETTE ADESIVE / AUTOCOLLANTS DE SIGNALISATION / ABZ.-BILD / ADESIVOS DE AVISO MO20 (SHEET 5.A) | 18-19 |
| ADHESIVE LABELS / TARGHETTE ADESIVE / AUTOCOLLANTS DE SIGNALISATION / ABZ.-BILD / ADESIVOS DE AVISO MO20S (SHEET 6.A) | 20-21 |
| FRAME BATTERY VERTICAL REMOVAL / TELAIO BATTERIA ESTRAZIONE VERTICALE / CHASSIS BATTERIE VERTICAL EXTRACTION / BATTERIEWECHSEL KONVENTIONELLE BATTERIE ENDHAME / BASTIDOR BATERIA EXTRACCION VERTICAL MO20F (SHEET 7.A) | 22 |
| FRAME BATTERY VERTICAL REMOVAL / TELAIO BATTERIA ESTRAZIONE VERTICALE / CHASSIS BATTERIE VERTICAL EXTRACTION / BATTERIEWECHSEL KONVENTIONELLE BATTERIE ENDHAME / BASTIDOR BATERIA EXTRACCION VERTICAL MO20-MO20S (SHEET 8.A) | 23 |
| FRAME BATTERY LATERAL REMOVAL / TELAIO BATTERIA ESTRAZIONE LATERALE / CHASSIS BATTERIE LATERAL EXTRACTION / BATTERIEWECHSEL SEITLICHER / BASTIDOR BATERIA EXTRACCION LATERAL MO20F (SHEET 9.A) | 24-25 |
| FRAME BATTERY LATERAL REMOVAL / TELAIO BATTERIA ESTRAZIONE LATERALE / CHASSIS BATTERIE LATERAL EXTRACTION / BATTERIEWECHSEL SEITLICHER / BASTIDOR BATERIA EXTRACCION LATERAL MO20-MO20S (SHEET 10.A) . | 26 |
| DRIVE UNIT ELECTRIC STEERING / GRUPPO TRAZIONE STERZO ELETTRICO / GROUPE DE TRACTION BARRE DE DIRECTION ELECTRIQUE / ZUGAGGREGAT ELEKTRISCHE STEUERUNG / GRUPO DE TRACCION DIRECCION ELECTRICA (SHEET 11.A) MO20F | 28-31 |
| DRIVE UNIT ELECTRIC STEERING / GRUPPO TRAZIONE STERZO ELETTRICO / GROUPE DE TRACTION BARRE DE DIRECTION ELECTRIQUE / ZUGAGGREGAT ELEKTRISCHE STEUERUNG / GRUPO DE TRACCION DIRECCION ELECTRICA (SHEET 11.B) MO20-MO20S-MO20F | 32-35 |

| PART SHEET INDEX - INDICE DELLE TAVOLE - INDEX DES TABLES - TAFELVERZEICHNIS - INDICE DE TABLAS | PAGE NO. |
|---|----------|
| TRACTION MOTOR / MOTORE TRAZIONE / MOTEUR DE TRACTION / ZUGMOTOR / MOTOR DE TRACCION MO20-MO20S-MO20F (SHEET 12.A)..... | 36-37 |
| ELECTROMAGNETIC BRAKE / FRENO ELETTROMAGNETICO / FREIN ELECTROMAGNETIQUE / ELEKTROMAGNETISCHE BREMSE / FRENO ELECTROMAGNETICO MO20-MO20S-MO20F (SHEET 13.A)..... | 38-39 |
| TIE RODS GROUP / GRUPPO TIRANTERIA / GROUPE TRINGLERIE / GESTÄNGE GRUPPE / GRUPO TIRANTES MO20F (SHEET 14.A-14.B-15.A-15.B)..... | 40-47 |
| TIE RODS GROUP / GRUPPO TIRANTERIA / GROUPE TRINGLERIE / GESTÄNGE GRUPPE / GRUPO TIRANTES MO20-MO20S (SHEET 16.A)..... | 48-49 |
| CASTER WHEEL / RUOTA PIROETTANTE / ATTELAGE / RAD / RUEDA MO20F (SHEET 17.A -18.A-19.A)..... | 50-55 |
| CASTER WHEEL / RUOTA PIROETTANTE / ATTELAGE / RAD / RUEDA MO20-MO20S (SHEET 20.A)..... | 56-57 |
| LOAD WHEELS / RUOTE DI CARICO / ATTELAGES / RÄDER / RUEDAS MO20-MO20S-MO20F (SHEET 21.A - 22.A - 23.A - 24.A - 25.A)..... | 58-62 |
| LEAD-IN ROLLERS / RULLINI DI INVITO / ATTELAGES / EINLAUFROLLEN / PERILLAS MO20-MO20S-MO20F (SHEET 26.A)..... | 63 |
| STEERING CONTROL UNIT / MOTORIDUTTORE STERZO / MOTOREDUCTEUR DE DIRECTION / ELEKTROMOTOR-LENKUNG / MOTOREDUCTOR DIRECCION MO20F (SHEET 27.A) | 66 |
| STEERING CONTROL UNIT / MOTORIDUTTORE STERZO / MOTOREDUCTEUR DE DIRECTION / ELEKTROMOTOR-LENKUNG / MOTOREDUCTOR DIRECCION MO20-MO20S-MO20F (SHEET 27.B) | 67 |
| ARTICULATED SHAFT / CARDANO / CARDAN / KARDAN / CARDÁN MO20F (SHEET 28.A)..... | 68-69 |
| ARTICULATED SHAFT / CARDANO / CARDAN / KARDAN / CARDÁN MO20-MO20S-MO20F (SHEET 28.B)..... | 70-71 |
| ELECTRIC STEERING / STERZO ELETTRICO / BARRE DE DIRECCION ELECTRIQUE / ELEKTRISCHE STEUERUNG / DIRECCIÓN ELECTRICA MO20-MO20S-MO20F (SHEET 29.A)..... | 72-73 |
| OPERATOR PLATFORM / PEDANA OPERATORE / PLATEFORME OPERATEUR / TRITTBRETT DES BEDIENERS / PLATAFORMA OPERADOR MO20F (SHEET 30.A) | 76-77 |
| BACKING / BACKING / BACKING / BACKING / BACKING MO20F (SHEET 31.A) | 78-79 |

| DESCRIPTION / DESCRIZIONE / DESIGNATION / BENENNUNG / DENOMINACIONES | PAGE NO. |
|---|----------|
| OPERATOR PLATFORM / PEDANA OPERATORE / PLATEFORME OPERATEUR / TRITTBRETT DES BEDIENERS / PLATAFORMA OPERADOR MO20 (SHEET 32.A) | 80-81 |
| OPERATOR PLATFORM / PEDANA OPERATORE / PLATEFORME OPERATEUR / TRITTBRETT DES BEDIENERS / PLATAFORMA OPERADOR MO20S (SHEET 33.A) | 82-83 |
| OPERATOR PLATFORM COVER / COPERCHIO PEDANA OPERATORE / COUVERCLE PLATEFORME OPERATEUR / TRITTBRETT DES BEDIENERS DECKEL / CUBIERTA PLATAFORMA OPERADOR MO20 (SHEET 34.A) | 84 |
| OPERATOR PLATFORM COVER / COPERCHIO PEDANA OPERATORE / COUVERCLE PLATEFORME OPERATEUR / TRITTBRETT DES BEDIENERS DECKEL / CUBIERTA PLATAFORMA OPERADOR MO20S (SHEET 35.A) | 85 |
| DRAWBAR CONTROL BOX "ON-OFF" / TIMONE SCATOLA COMANDI "ON-OFF" / BARRE BOITE DE COMMANDE "ON-OFF" / DEICHSEL STEUERUNGSBUCHSE "ON-OFF" / DIRECCION DE MANDOS "ON-OFF" MO20-MO20S-MO20F (SHEET 36.A)..... | 86-87 |
| ELECTRONIC SYSTEM / IMPIANTO ELETTRONICO / SYSTEME ELECTRONIQUE / ELEKTRISCHE ANLAGE / INSTALACION ELECTRICA MO20F (SHEET 37.A-37.B) | 90-93 |
| ELECTRONIC SYSTEM / IMPIANTO ELETTRONICO / SYSTEME ELECTRONIQUE / ELEKTRISCHE ANLAGE / INSTALACION ELECTRICA MO20-MO20S (SHEET 38.A)..... | 94-95 |
| DISTRIBUTOR / CENTRALINA IDRAULICA / DISTRIBUTEUR / STEUERUNG / DISTRIBUIDOR MO20-MO20S (SHEET 39.A)..... | 98-99 |
| DISTRIBUTOR / CENTRALINA IDRAULICA / DISTRIBUTEUR / STEUERUNG / DISTRIBUIDOR MO20S (SHEET 40.A)..... | 100-101 |
| HYDRAULIC SYSTEM / IMPIANTO IDRAULICO / INSTALLATION HYDRAULIQUE / HYDRAULIKANLAGE / INSTALLACION HIDRAULICA MO20F (SHEET 41.A)..... | 102-103 |
| HYDRAULIC SYSTEM / IMPIANTO IDRAULICO / INSTALLATION HYDRAULIQUE / HYDRAULIKANLAGE / INSTALLACION HIDRAULICA MO20 (SHEET 42.A) | 104-105 |
| HYDRAULIC SYSTEM / IMPIANTO IDRAULICO / INSTALLATION HYDRAULIQUE / HYDRAULIKANLAGE / INSTALLACION HIDRAULICA MO20S (SHEET 43.A)..... | 106-107 |
| MAST / MONTANTE / MAT / HUBGERÜST / MASTIL MO20S (SHEET 44.A) | 108 |
| FORKS / FORCHE / FOURCHES / GABELN / HORCAS MO20-MO20S (SHEET 45.A) | 110-111 |
| POWER CABLES DIAGRAM / SCHEMA COLLEGAMENTO CAVI DI POTENZA / DIAGRAMME CONNECTION CABLES ELECTRIQUES / ELEKTRISCHEANLAGEPLAN / ESQUEMA CONEXION CABLES POTENCIA MO20-MO20S (SHEET 46.A) | 114-115 |
| POWER CABLES DIAGRAM / SCHEMA COLLEGAMENTO CAVI DI POTENZA / DIAGRAMME CONNECTION CABLES ELECTRIQUES / ELEKTRISCHEANLAGEPLAN / ESQUEMA CONEXION CABLES POTENCIA MO20F (SHEET 47.A) | 116-117 |

| DESCRIPTION / DESCRIZIONE / DESIGNATION / BENENNUNG / DENOMINACIONES | PAGE NO. |
|--|----------|
| WIRE HARNESS DIAGRAM / SCHEMA COLLEGAMENTO GUAINA / DIAGRAMME CONNECTION GAINES / MONTELANLAGEPLAN / ESQUEMA CONEXION VAINA MO20 (SHEET 48.A) | 118-119 |
| WIRE HARNESS DIAGRAM / SCHEMA COLLEGAMENTO GUAINA / DIAGRAMME CONNECTION GAINES / MONTELANLAGEPLAN / ESQUEMA CONEXION VAINA MO20S (SHEET 49.A) | 120-121 |
| WIRE HARNESS DIAGRAM ELECTRIC STEERING / SCHEMA COLLEGAMENTO GUAINA STERZO ELETTRICO / DIAGRAMME CONNECTION GAINES BARRE DE DIRECTION ELECTRIQUE / MONTELANLAGEPLAN ELEKTRISCHE STEUERUNG / ESQUEMA CONEXION VAINA DIRECCION ELECTRICA MO20F (SHEET 50.A) | 122-123 |
| CONNECTORS,CONTACTS,TOOLS / CONTATTI,CONNETTORI,UTENSILI / CONNECTEURS,CONTACTS,OUTILS / KONNEKTOR,KONTAKT,WERZEUG / CONTACTO,CONECTOR,UTENSILIO MO20-MO20S-MO20F (SHEET 51.A) | 124-125 |
| HYDRAULIC DIAGRAM / SCHEMA IDRAULICO / SCHEMA HYDRAULIQUE / HYDRAULIKPLAN / ESQUEMA HIDRAULICO MO20-MO20F (SHEET 52.A) | 126-127 |
| HYDRAULIC DIAGRAM / SCHEMA IDRAULICO / SCHEMA HYDRAULIQUE / HYDRAULIKPLAN / ESQUEMA HIDRAULICO MO20S (SHEET 53.A) | 128-129 |
| BATTERY ROLLER TRUCK / CARRELLINO ESTRAZIONE LATERALE / CAHRIOT POUR EXTRACTION BATTERIE / SCHLITTEN ZUR BATTERIEAUSNAHME STANDFEST / CARRO EXTRACION BATEIRA MO20-MO20S-MO20F (SHEET 54.A) | 131 |
| PAPER HOLDER / LEGGIO / PAPIER SUPPORT / PAPIERHALTER / SOPORTE PAPEL MO20F (SHEET 55.A) | 132-133 |
| PAPER HOLDER / LEGGIO / PAPIER SUPPORT / PAPIERHALTER / SOPORTE PAPEL MO20-MO20S (SHEET 56.A) | 134-135 |
| FILMER SUPPORT / PORTA PELLICOLA / PORTE-PELLICULE / FOLIETRÄGER / SOPORTE PELICULA MO20 (SHEET 57.A)..... | 136 |
| FILMER SUPPORT / PORTA PELLICOLA / PORTE-PELLICULE / FOLIETRÄGER / SOPORTE PELICULA MO20S (SHEET 58.A)..... | 137 |
| KEYPAD / TASTIERA NUMERICA / CLAVIER NUMERIQUE / NUMERISCHE TASTATUR / TECLADO NUMERICO MO20-MO20S (SHEET 59.A)..... | 138 |
| DC/DC CONVERTER / CONVERTITORE DC/DC / CONVERTISSEUR DC/DC / DC/DC KONVERTER / CONVERTIDOR DC/DC MO20-MO20S (SHEET 60.A)..... | 139 |
| BULL BAR / BARRA ANTIURTO / BARRE ANTI-IMPACT / STOBFESTE BARRE / BARRA ANTI-IMPACTO MO20-MO20S (SHEET 61.A) | 140 |
| WIRE HARNESS DIAGRAM / SCHEMA COLLEGAMENTO GUAINA / DIAGRAMME CONNECTION GAINES / MONTELANLAGEPLAN / ESQUEMA CONEXION VAINA MO20-MO20S WITH KEYPAD OPTION (SHEET 62.A-63.A) | 142-145 |

| DESCRIPTION / DESCRIZIONE / DESIGNATION / BENENNUNG / DENOMINACIONES | PAGE NO. |
|--|----------|
| COVERS / CARTER / COUVERCLE / DECKEL / TAPAS MO20F (SHEET 1.A) | 10-11 |
| COVERS VERTICAL BATTERY REMOVAL / CARTER ESTRAZIONE VERTICALE BATTERIA / COUVERCLE EXTRACTION VERTICALE BATTERIE / DECKEL KONVENTIONELLE BATTERIEWECHSEL/ TAPAS EXTRACCION VERTICAL BATERIA MO20-MO20S (SHEET 2.A) | 12-13 |
| COVERS LATERAL BATTERY REMOVAL / CARTER ESTRAZIONE LATERALE BATTERIA / COUVERCLE EXTRACTION LATERALE BATTERIE / DECKEL SEITLICHER BATTERIEWECHSEL/ TAPAS EXTRACCION LATERAL BATERIA MO20-MO20S (SHEET 3.A).. | 14-15 |
| ADHESIVE LABELS / TARGHETTE ADESIVE / AUTOCOLLANTS DE SIGNALISATION / ABZ.-BILD / ADESIVOS DE AVISO MO20F (SHEET 4.A) | 16-17 |
| ADHESIVE LABELS / TARGHETTE ADESIVE / AUTOCOLLANTS DE SIGNALISATION / ABZ.-BILD / ADESIVOS DE AVISO MO20 (SHEET 5.A) | 18-19 |
| ADHESIVE LABELS / TARGHETTE ADESIVE / AUTOCOLLANTS DE SIGNALISATION / ABZ.-BILD / ADESIVOS DE AVISO MO20S (SHEET 6.A) | 20-21 |
| FRAME BATTERY VERTICAL REMOVAL / TELAIO BATTERIA ESTRAZIONE VERTICALE / CHASSIS BATTERIE VERTICAL EXTRACTION / BATTERIEWECHSEL KONVETIONELLE BATTERIE ENDHAME / BASTIDOR BATERIA EXTRACCION VERTICAL MO20F (SHEET 7.A) | 22 |
| FRAME BATTERY VERTICAL REMOVAL / TELAIO BATTERIA ESTRAZIONE VERTICALE / CHASSIS BATTERIE VERTICAL EXTRACTION / BATTERIEWECHSEL KONVETIONELLE BATTERIE ENDHAME / BASTIDOR BATERIA EXTRACCION VERTICAL MO20-MO20S (SHEET 8.A) | 23 |
| FRAME BATTERY LATERAL REMOVAL / TELAIO BATTERIA ESTRAZIONE LATERALE / CHASSIS BATTERIE LATERAL EXTRACTION / BATTERIEWECHSEL SEITLICHER / BASTIDOR BATERIA EXTRACCION LATERAL MO20F (SHEET 9.A) | 24-25 |
| FRAME BATTERY LATERAL REMOVAL / TELAIO BATTERIA ESTRAZIONE LATERALE / CHASSIS BATTERIE LATERAL EXTRACTION / BATTERIEWECHSEL SEITLICHER / BASTIDOR BATERIA EXTRACCION LATERAL MO20-MO20S (SHEET 10.A) . | 26 |



01600229

Da matr. / Du matr. / Ab. seriennummer
From serial N° / Desde la matr.:

Fino a matr. / Jusqu' matr. / Bis zur
serien-Nr.
Until serial N° / Hasta la matr.:

Ad esclusione di / À l'exclusion de
Mit ausnahme von / With the exception of
/ Excepto:

Compreso / Avec / Einschließlich
Including / Con:

A943X01500C

| REF | PART N° | Qt. | DESCRIPTION | DESCRIZIONE | DESIGNATION | BENENNUNG | DENOMINACIONES |
|-----|-----------|-----|----------------------|---------------------------|---------------------------|------------------------|-------------------------|
| 1 | 524234608 | 1 | Motor cover | Coperchio motore | Couvercle moteur | Motor deckel | Cubierta motor |
| 2 | 580063318 | 1 | Cover | Cruscotto | Couvercle | Deckel | Cubierta |
| 3 | 580063305 | 1 | Battery cover 300 AH | Coperchio batteria 300 AH | Couvercle batterie 300 AH | Batterie deckel 300 AH | Cubierta bateria 300 AH |
| 3 | 580063306 | 1 | Battery cover 400 AH | Coperchio batteria 400 AH | Couvercle batterie 400 AH | Batterie deckel 400 AH | Cubierta bateria 400 AH |
| 3 | 580063307 | 1 | Battery cover 500 AH | Coperchio batteria 500 AH | Couvercle batterie 500 AH | Batterie deckel 500 AH | Cubierta bateria 500 AH |
| 4 | 580063321 | 1 | Plate | Plastra | Plaque | Platte | Placa |
| 5 | 580065306 | 2 | Screw | Vite | Vis | Schraube | Tornillo |
| 6 | 580065307 | 8 | Washer | Rondella | Rondelle | Scheibe | Arandela |
| 7 | 580057830 | 8 | Clip nut | Dado | Ecrou | Mutter | Tuerca |
| 8 | 580036604 | 1 | Handle | Maniglia | Poignée | Griff | Manija |
| 9 | 580058551 | 6 | Screw | Vite | Vis | Schraube | Tornillo |
| 10 | 580060881 | 2 | Locknut | Controdado | Contre-écrou | Sicheringsmutter | Tuerca de seguridad |
| 11 | 580063310 | 2 | Screw | Vite | Vis | Schraube | Tornillo |
| 12 | 580065310 | 2 | Washer | Rondella | Rondelle | Scheibe | Arandela |
| 13 | 580063309 | 2 | Washer | Rondella | Rondelle | Scheibe | Arandela |
| 14 | 580069005 | 1 | Foam | Mousse | Mousse | Mousse | Espuma |

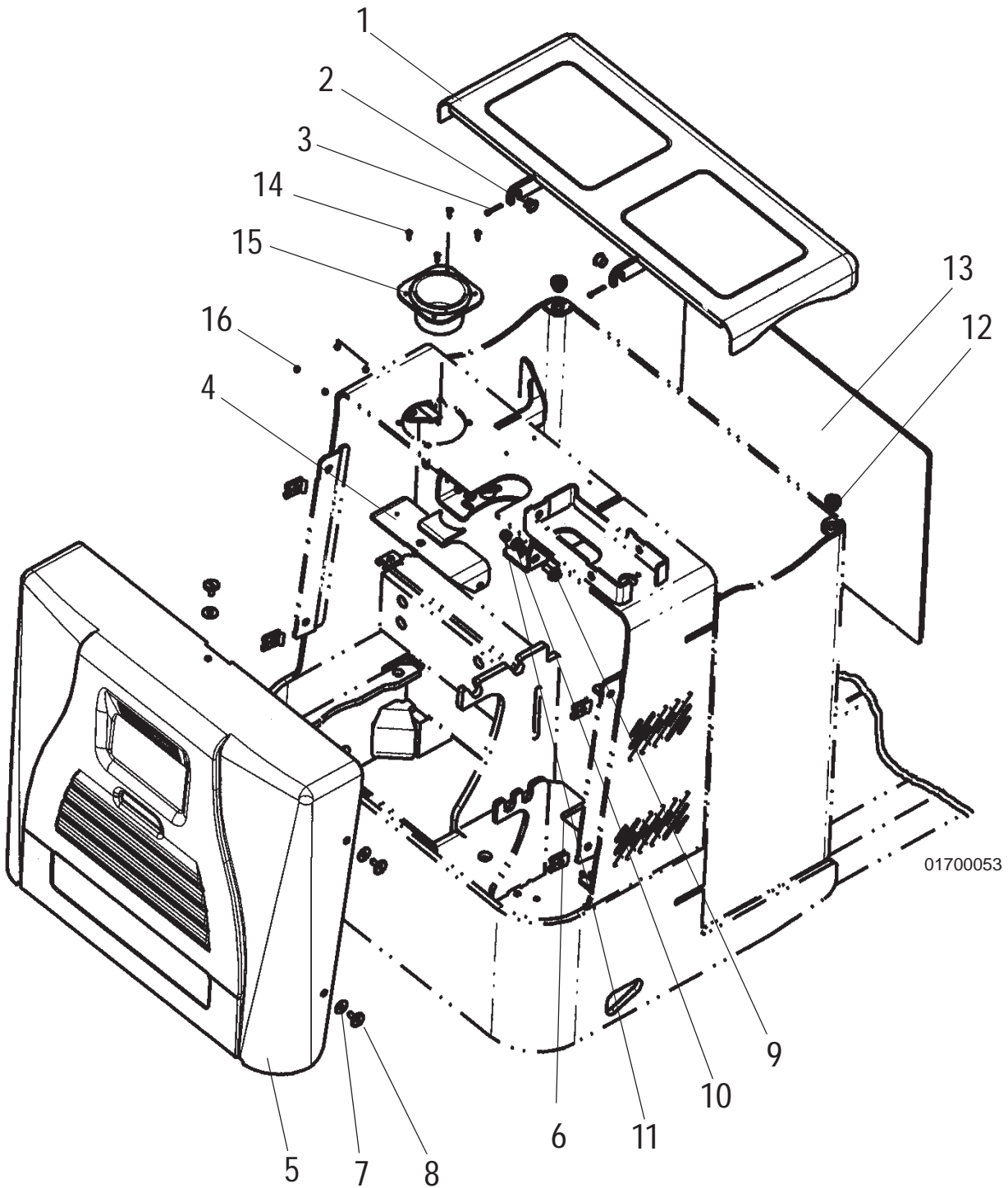
Da matr. / Du matr. / Ab. seriennummer
From serial N° / Desde la matr.:

Fino a matr. / Jusqu' matr. / Bis zur
serien-Nr.
Until serial N° / Hasta la matr.:

Ad esclusione di / À l'exclusion de
Mit ausnahme von / With the exception of
/ Excepto:

Compreso / Avec / Einschließlich
Including / Con:

A943X01500C



Da matr. / Du matr. / Ab. seriennummer
 From serial N° / Desde la matr.:

Fino a matr. /Jusqu' matr. / Bis zur
 serien-Nr.
 Until serial N° / Hasta la matr.:

Ad esclusione di / À l'exclusion de
 Mit ausnahme von / With the exception of
 / Excepto:

Compreso / Avec / Einschließlich
 Including / Con:

D857X01500X



SHEET 2.A

COVERS VERTICAL BATTERY REMOVAL
CARTER ESTRAZIONE VERTICALE BATTERIA
COUVERCLE EXTRACTION VERTICALE BATTERIE
DECKEL KONVENTIONELLE BATTERIEWECHSEL
TAPAS EXTRACCION VERTICAL BATERIA

Truck Model
 Carrello Tipo
 Chariot Modele
 Staplertyp
 Tipo de carretilla

MO20
MO20S

| REF | PART N° | Qt. | DESCRIPTION | DESCRIZIONE | DESIGNATION | BENENNUNG | DENOMINACIONES |
|-----|-----------|-----|--------------------------|-------------------------------|-------------------------------|----------------------------|-----------------------------|
| 1 | 524249943 | 1 | Battery cover 375-480 AH | Coperchio batteria 375-480 AH | Couvercle batterie 375-480 AH | Batterie deckel 375-480 AH | Cubierta bateria 375-480 AH |
| 1 | 524249944 | 1 | Battery cover 500-640 AH | Coperchio batteria 500-640 AH | Couvercle batterie 500-640 AH | Batterie deckel 500-640 AH | Cubierta bateria 500-640 AH |
| 2 | 580051582 | 2 | Bushing | Boccola | Douille | Buchse | Casquillo |
| 3 | 580007568 | 2 | Screw | Vite | Vis | Schraube | Tornillo |
| 4 | 580068269 | 1 | Cover support | Supporto coperchio | Support couvercle | Lager deckel | Soporte cubierta |
| 5 | 524234610 | 1 | Motor cover | Coperchio motore | Couvercle moteur | Motor deckel | Cubierta motor |
| 6 | 580057830 | 5 | Clip nut | Dado | Ecrou | Mutter | Tuerca |
| 7 | 580065307 | 5 | Washer | Rondella | Rondelle | Scheibe | Arandela |
| 8 | 580058551 | 5 | Screw | Vite | Vis | Schraube | Tornillo |
| 9 | 580060907 | 2 | Screw | Vite | Vis | Schraube | Tornillo |
| 10 | 449021006 | 2 | Washer | Rondella | Rondelle | Scheibe | Arandela |
| 11 | 449015036 | 2 | Nut | Dado | Ecrou | Mutter | Tuerca |
| 12 | 580023634 | 2 | Centering pin | Perno | Goujon | Bolzen | Eje |
| 13 | 580068271 | 1 | Rubber | Gomma | Caoutchouc | Gummi | Goma |
| 14 | 580018783 | 4 | Screw | Vite | Vis | Schraube | Tornillo |
| 15 | 580075125 | 1 | Cup holder | Porta bicchiere | Porte-verre | Glashalter | Portavasos |
| 16 | 580003615 | 4 | Nut | Dado | Ecrou | Mutter | Tuerca |

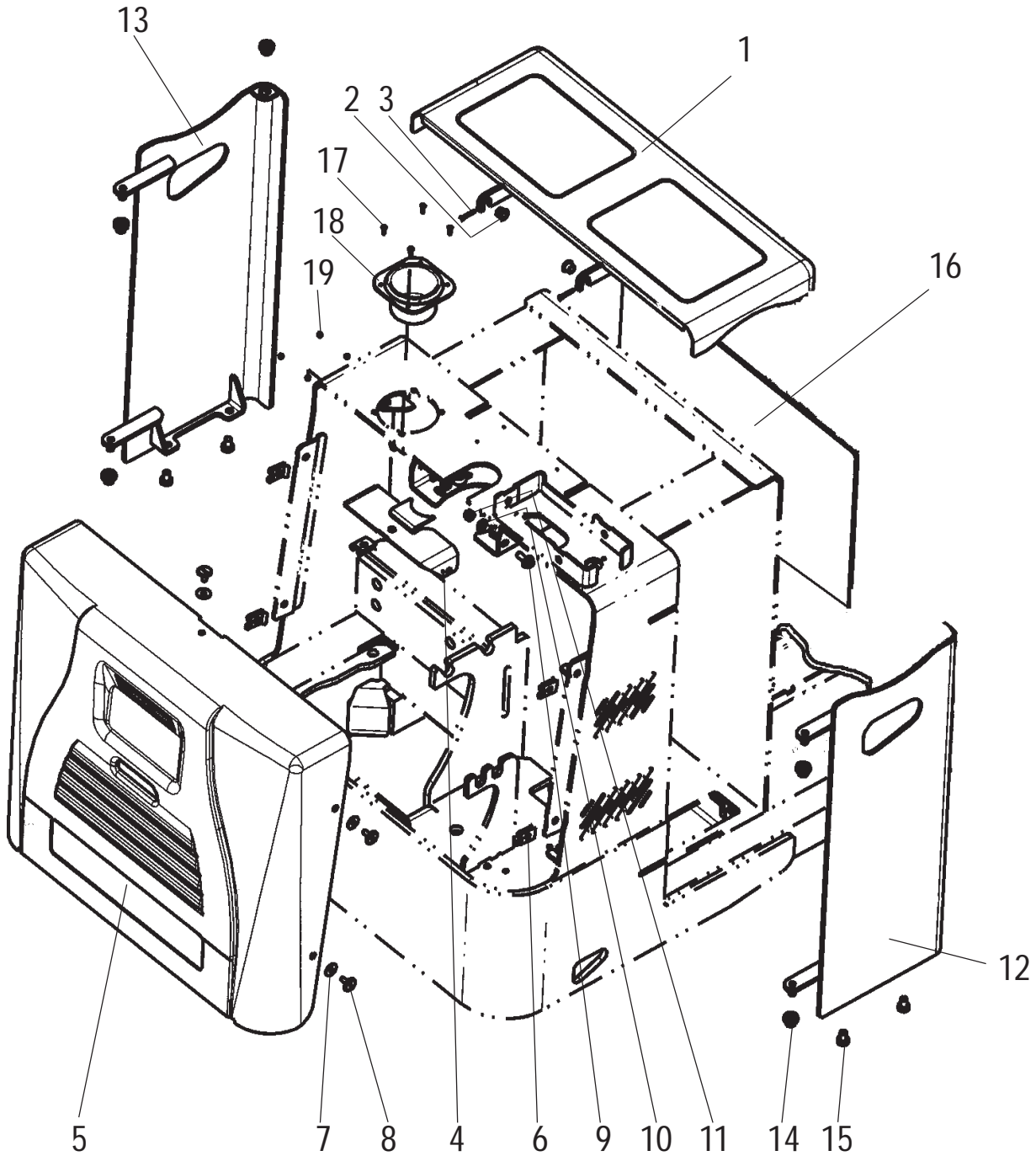
Da matr. / Du matr. / Ab. seriennummer
 From serial N° / Desde la matr.:

Fino a matr. / Jusqu' matr. / Bis zur
 serien-Nr.
 Until serial N° / Hasta la matr.:

Ad esclusione di / À l'exclusion de
 Mit ausnahme von / With the exception of
 / Excepto:

Compreso / Avec / Einschließlich
 Including / Con:

D857X01500X



01700054

Da matr. / Du matr. / Ab. seriennummer
 From serial N° / Desde la matr.:

Fino a matr. /Jusqu' matr. / Bis zur
 serien-Nr.
 Until serial N° / Hasta la matr.:

Ad esclusione di / À l'exclusion de
 Mit ausnahme von / With the exception of
 / Excepto:

Compreso / Avec / Einschließlich
 Including / Con:

D857X01500X



SHEET 3.A
COVERS LATERAL BATTERY REMOVAL
 CARTER ESTRAZIONE LATERALE BATTERIA
COUVERCLE EXTRACTION LATERALE BATTERIE
 DECKEL SEITLICHER BATTERIEWECHSEL
TAPAS EXTRACCION LATERAL BATERIA

Truck Model
 Carrello Tipo
 Chariot Modele
 Staplertyp
 Tipo de carretilla

MO20
MO20S

| REF | PART N° | Qt. | DESCRIPTION | DESCRIZIONE | DESIGNATION | BENENNUNG | DENOMINACIONES |
|-----|-----------|-----|--------------------------|-------------------------------|-------------------------------|----------------------------|-------------------------------|
| 1 | 524249943 | 1 | Battery cover 375-480 AH | Coperchio batteria 375-480 AH | Couvercle batterie 375-480 AH | Batterie deckel 375-480 AH | Cubierta batería 375-480 AH |
| 1 | 524249944 | 1 | Battery cover 500-640 AH | Coperchio batteria 500-640 AH | Couvercle batterie 500-640 AH | Batterie deckel 500-640 AH | Cubierta batería 500-640 AH |
| 2 | 580051582 | 2 | Bushing | Boccola | Douille | Buchse | Casquillo |
| 3 | 580007568 | 2 | Screw | Vite | Vis | Schraube | Tornillo |
| 4 | 580068269 | 1 | Cover support | Supporto coperchio | Support couvercle | Lager deckel | Soporte cubierta |
| 5 | 524234610 | 1 | Motor cover | Coperchio motore | Couvercle moteur | Motor deckel | Cubierta motor |
| 6 | 580057830 | 5 | Clip nut | Dado | Ecrou | Mutter | Tuerca |
| 7 | 580065307 | 5 | Washer | Rondella | Rondelle | Scheibe | Arandela |
| 8 | 580058551 | 5 | Screw | Vite | Vis | Schraube | Tornillo |
| 9 | 580060907 | 2 | Screw | Vite | Vis | Schraube | Tornillo |
| 10 | 449021006 | 2 | Washer | Rondella | Rondelle | Scheibe | Arandela |
| 11 | 449015036 | 2 | Nut | Dado | Ecrou | Mutter | Tuerca |
| 12 | 524247061 | 1 | Cover-LEFT 375-480 AH | Coperchio-SINISTRO 375-480 AH | Couvercle-GAUCHE 375-480 AH | Deckel-LINKS 375-480 AH | Cubierta-IZQUIERDA 375-480 AH |
| 12 | 524247062 | 1 | Cover-LEFT 500-640 AH | Coperchio-SINISTRO 500-640 AH | Couvercle-GAUCHE 500-640 AH | Deckel-LINKS 500-640 AH | Cubierta-IZQUIERDA 500-640 AH |
| 13 | 524246906 | 1 | Cover-RIGHT 375-480 AH | Coperchio-DESTRO 375-480 AH | Couvercle-DROITE 375-480 AH | Deckel-RECHT 375-480 AH | Cubierta-DERECHA 375-480 AH |
| 13 | 524246907 | 1 | Cover-RIGHT 500-640 AH | Coperchio-DESTRO 500-640 AH | Couvercle-DROITE 500-640 AH | Deckel-RECHT 500-640 AH | Cubierta-DERECHA 500-640 AH |
| 14 | 580023634 | 6 | Centering pin | Perno | Goujon | Bolzen | Eje |
| 15 | 277304000 | 4 | Bumper | Tampone | Ressort | Feder | Resorte |
| 16 | 580068271 | 1 | Rubber | Gomma | Caoutchouc | Gummi | Goma |
| 17 | 580018783 | 4 | Screw | Vite | Vis | Schraube | Tornillo |
| 18 | 580075125 | 1 | Cup holder | Porta bicchiere | Porte-verre | Glashalter | Portavasos |
| 19 | 580003615 | 4 | Nut | Dado | Ecrou | Mutter | Tuerca |

Da matr. / Du matr. / Ab. seriennummer
 From serial N° / Desde la matr.:

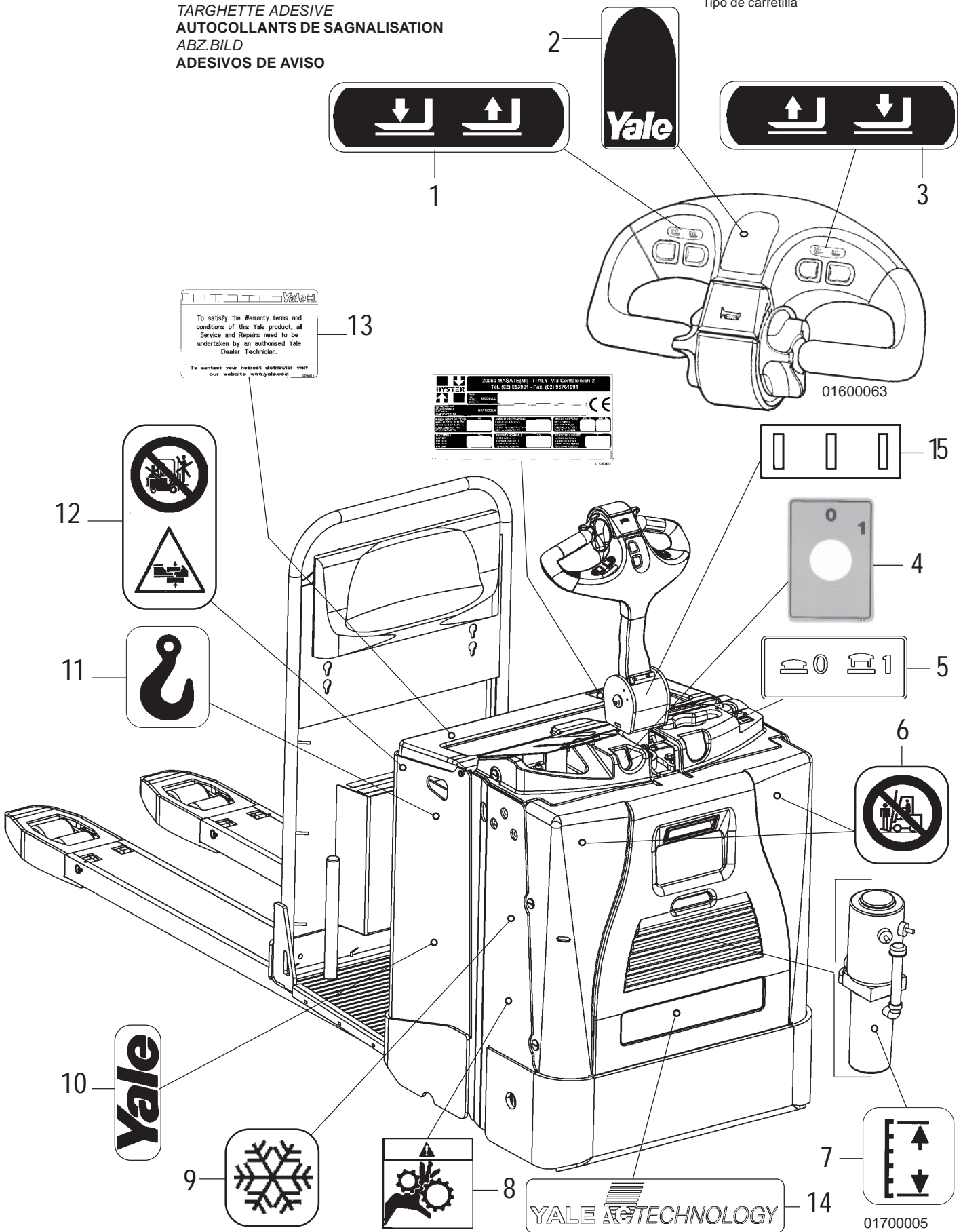
Fino a matr. / Jusqu' matr. / Bis zur
 serien-Nr.
 Until serial N° / Hasta la matr.:

Ad esclusione di / À l'exclusion de
 Mit ausnahme von / With the exception of
 / Excepto:

Compreso / Avec / Einschließlich
 Including / Con:

D857X01500X

ADESIVE LABELS
TARGHETTE ADESIVE
AUTOCOLLANTS DE SAGNALISATION
ABZ.BILD
ADESIVOS DE AVISO



Da matr. / Du matr. / Ab. seriennummer
From serial N° / Desde la matr.:

Fino a matr. /Jusqu' matr. / Bis zur
serien-Nr.
Until serial N° / Hasta la matr.:

Ad esclusione di / À l'exclusion de
Mit ausnahme von / With the exception of
/ Excepto:

Compreso / Avec/ Einschließlich
Including / Con:

A943X01500C



Suggest:

For more complete manuals. Please go to the home page.

<https://www.ebooklibonline.com>

If the above button click is invalid. Please download this document first, and then click the above link to download the complete manual.

Thank you so much for reading

ADESIVE LABELS
TARGHETTE ADESIVE
AUTOCOLLANTS DE SIGNALISATION
ABZ.BILD
ADESIVOS DE AVISO

| REF | PART N° | Qt. | DESCRIPTION | DESCRIZIONE | DESIGNATION | BENENNUNG | DENOMINACIONES |
|-----|-----------|-----|---------------------------|-----------------------------|---------------------------------|----------------------------------|-------------------------------|
| 1 | 580012968 | 1 | Adhesive label | Adesivo | Autocollants | Aufkleber | Adesivo |
| 2 | 524139322 | 1 | Adhesive label | Adesivo | Autocollants | Aufkleber | Adesivo |
| 3 | 580012967 | 1 | Adhesive label | Adesivo | Autocollants | Aufkleber | Adesivo |
| 4 | 272472800 | 1 | Adhesive label | Adesivo | Autocollants | Aufkleber | Adesivo |
| 5 | 580063311 | 1 | Adhesive label | Adesivo | Autocollants | Aufkleber | Adesivo |
| 6 | 272213200 | 2 | Adhesive label | Adesivo | Autocollants | Aufkleber | Adesivo |
| 7 | 272213600 | 1 | Adhesive label | Adesivo | Autocollants | Aufkleber | Adesivo |
| 8 | 524207776 | 1 | Adhesive label | Adesivo | Autocollant | Aufkleber | Adesivo |
| 9 | 580035214 | 2 | Adhesive label | Adesivo | Autocollants | Aufkleber | Adesivo |
| 10 | 580014880 | 1 | Adhesive label -30°C | Adesivo -30°C | Autocollants -30°C | Aufkleber | Adesivo -30°C |
| 11 | 272219100 | 2 | Adhesive label | Adesivo | Autocollants | Aufkleber | Adesivo |
| 12 | 272213500 | 2 | Adhesive label | Adesivo | Autocollants | Aufkleber | Adesivo |
| 13 | 524216189 | 1 | Warranty label ENGLISH | Adesivo garanzia INGLESE | Autocollant garantie ANGLAIS | Wartungs aufkleber ENGLISCH | Adesivo de garantia INGLES |
| 13 | 524216191 | 1 | Warranty label BRAZILIAN | Adesivo garanzia BRASILIANO | Autocollant garantie BRESILIEN | Wartungs aufkleber BRASILIANISCH | Adesivo de garantia BRASILEÑO |
| 13 | 524216192 | 1 | Warranty label CZECH | Adesivo garanzia CECO | Autocollant garantie TCHEQUE | Wartungs aufkleber TSCHECHISCH | Adesivo de garantia CHECO |
| 13 | 524216193 | 1 | Warranty label DANISCH | Adesivo garanzia DANESE | Autocollant garantie DANOIS | Wartungs aufkleber DÄNISCHE | Adesivo de garantia DANES |
| 13 | 524216194 | 1 | Warranty label DUTCH | Adesivo garanzia OLANDESE | Autocollant garantie HOLLANDAIS | Wartungs aufkleber HOLLÄNDISCH | Adesivo de garantia HOLANDES |
| 13 | 524216195 | 1 | Warranty label ESTONIAN | Adesivo garanzia ESTONE | Autocollant garantie ESTONIEN | Wartungs aufkleber ESTNISCH | Adesivo de garantia ESTONIO |
| 13 | 524216196 | 1 | Warranty label FINNISH | Adesivo garanzia FINLANDESE | Autocollant garantie FINLANDAIS | Wartungs aufkleber FINNISCH | Adesivo de garantia FINLANDES |
| 13 | 524216197 | 1 | Warranty label FRENCH | Adesivo garanzia FRANCESE | Autocollant garantie FRANÇAIS | Wartungs aufkleber FRANZÖSISCH | Adesivo de garantia FRANCES |
| 13 | 524216198 | 1 | Warranty label GERMAN | Adesivo garanzia TEDESCO | Autocollant garantie ALLEMAND | Wartungs aufkleber DEUTSCH | Adesivo de garantia ALEMAN |
| 13 | 524216199 | 1 | Warranty label GREEK | Adesivo garanzia GRECO | Autocollant garantie GREC | Wartungs aufkleber GRIECHISCH | Adesivo de garantia GRIEGO |
| 13 | 524216200 | 1 | Warranty label HUNGARIAN | Adesivo garanzia UNGHERESE | Autocollant garantie HONGROIS | Wartungs aufkleber UNGARISCHE | Adesivo de garantia HUNGARO |
| 13 | 524216201 | 1 | Warranty label ICELANDIC | Adesivo garanzia ISLANDESE | Autocollant garantie ISLANDAIS | Wartungs aufkleber ISLÄNDISCH | Adesivo de garantia ISLANDES |
| 13 | 524216202 | 1 | Warranty label ITALIAN | Adesivo garanzia ITALIANO | Autocollant garantie ITALIEN | Wartungs aufkleber ITALIENISCH | Adesivo de garantia ITALIANO |
| 13 | 524216203 | 1 | Warranty label LATVIAN | Adesivo garanzia LETTONE | Autocollant garantie LETTONE | Wartungs aufkleber LETTISCH | Adesivo de garantia LATVIO |
| 13 | 524216204 | 1 | Warranty label LITHUANIAN | Adesivo garanzia LITUANO | Autocollant garantie LITHUANIEN | Wartungs aufkleber LITAUISCH | Adesivo de garantia LITUANO |
| 13 | 524216205 | 1 | Warranty label NORWEGIAN | Adesivo garanzia NORVEGESE | Autocollant garantie NORVEGIEN | Wartungs aufkleber NORWEGISCH | Adesivo de garantia NORUEGO |
| 13 | 524216206 | 1 | Warranty label POLISH | Adesivo garanzia POLACCO | Autocollant garantie POLONAIS | Wartungs aufkleber POLNISCH | Adesivo de garantia POLACO |
| 13 | 524216207 | 1 | Warranty label PORTUGUESE | Adesivo garanzia PORTOGHESE | Autocollant garantie PORTUGAIS | Wartungs aufkleber PORTUGIESISCH | Adesivo de garantia PORTUGUES |
| 13 | 524216208 | 1 | Warranty label ROMANIAN | Adesivo garanzia RUMENO | Autocollant garantie ROMENO | Wartungs aufkleber RUMÄNISCH | Adesivo de garantia RUMANO |
| 13 | 524216209 | 1 | Warranty label RUSSIAN | Adesivo garanzia RUSSO | Autocollant garantie RUSSE | Wartungs aufkleber RUSSISCH | Adesivo de garantia RUSO |
| 13 | 524216210 | 1 | Warranty label SLOVAKIAN | Adesivo garanzia SLOVACCO | Autocollant garantie SLOVAQUE | Wartungs aufkleber SLOWAKISCH | Adesivo de garantia SLOVACO |
| 13 | 524216190 | 1 | Warranty label SLOVENIAN | Adesivo garanzia SLOVENO | Autocollant garantie SLOVENE | Wartungs aufkleber SLOWENISCH | Adesivo de garantia ESLOVENO |
| 13 | 524216211 | 1 | Warranty label SPANISH | Adesivo garanzia SPAGNOLO | Autocollant garantie ESPAGNOL | Wartungs aufkleber SPANISCH | Adesivo de garantia ESPAÑOL |
| 13 | 524216212 | 1 | Warranty label SWEDISH | Adesivo garanzia SVEDESE | Autocollant garantie SUEDOIS | Wartungs aufkleber SCHWEDISCH | Adesivo de garantia SUECO |
| 13 | 524216526 | 1 | Warranty label TURKISH | Adesivo garanzia TURCO | Autocollant garantie TURC | Wartungs aufkleber TÜRKISCH | Adesivo de garantia TURCO |
| 13 | 524216766 | 1 | Warranty label CROATIAN | Adesivo garanzia CROATO | Autocollant garantie CROATE | Wartungs aufkleber KROATISCH | Adesivo de garantia CROATO |
| 14 | 524207776 | 1 | Adhesive label | Adesivo | Autocollants | Aufkleber | Adesivo |
| 15 | 580071541 | 1 | Adhesive label | Adesivo | Autocollants | Aufkleber | Adesivo |

Da matr. / Du matr. / Ab. seriennummer
From serial N° / Desde la matr.:

Fino a matr. / Jusqu' matr. / Bis zur
serien-Nr.
Until serial N° / Hasta la matr.:

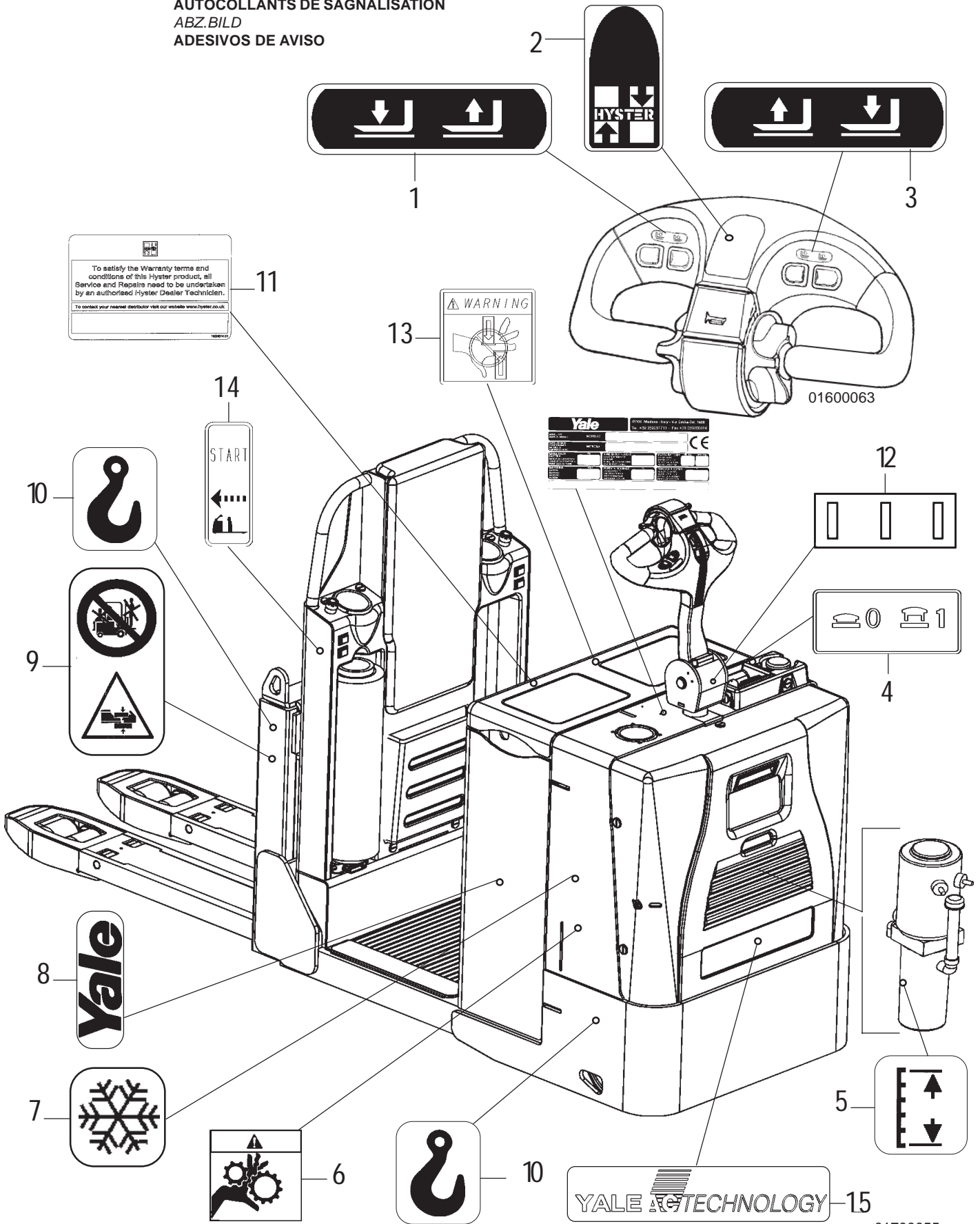
Ad esclusione di / À l'exclusion de
Mit ausnahme von / With the exception of
/ Excepto:

Compreso / Av
Including / Con:

anschließlich

A943X01500C

ADESIVE LABELS
TARGHETTE ADESIVE
AUTOCOLLANTS DE SAGNALISATION
ABZ.BILD
ADESIVOS DE AVISO



Da matr. / Du matr. / Ab. seriennummer
From serial N° / Desde la matr.:

Fino a matr. / Jusqu' matr. / Bis zur
serien-Nr.
Until serial N° / Hasta la matr.:

Ad esclusione di / À l'exclusion de
Mit ausnahme von / With the exception of
/ Excepto:

Compreso / Avec / Einschließlich
Including / Con:

D857X01500X

01700055

<https://www.ebooklibonline.com>

Hello dear friend!

Thank you very much for reading.

Enter the link into your browser.

The full manual is available for immediate download.

<https://www.ebooklibonline.com>