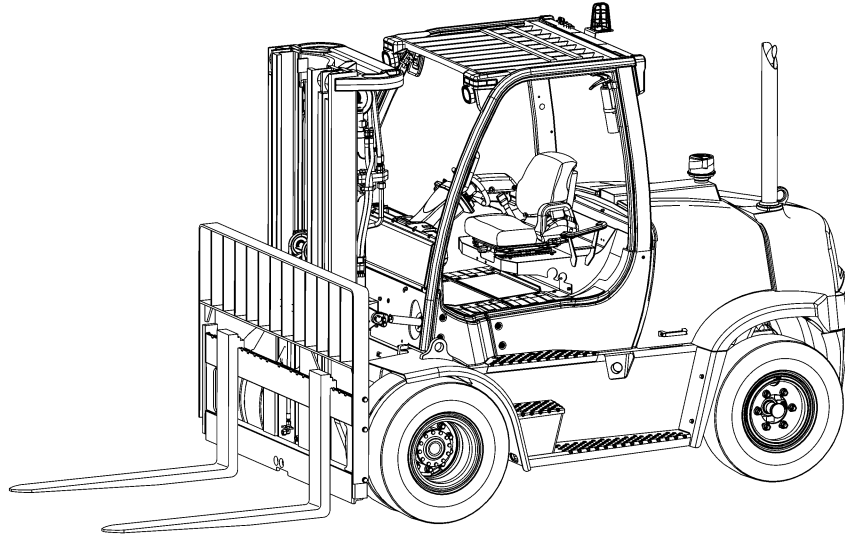


**GLP/GDP70VX, GLP/GDP60VX
(D878)**



SECTIONS

1	GENERAL TRUCK
2	DIESEL ENGINE
3	LPG ENGINES
4	FUEL SYSTEM
5	ELECTRICAL SYSTEM
6	STEERING SYSTEM
7	BRAKE SYSTEM
8	TRANSMISSION
9	HYDRAULIC SYSTEM
10	MAST-TWO STAGE LIMITED FREE-LIFT
11	MAST-THREE STAGE FULL FREE-LIFT
12	FORKS, LOAD BACKREST, AND MAST INSTALLATION
13	ATTACHMENTS AND HEADER HOSE GROUP
14	OPTIONS
15	NUMERICAL INDEX

**SECTION 1
GENERAL TRUCK**

DESCRIPTION	PAGE
CAB	
ATTACHING PARTS - SHEET 1 OF 2	1-16
ATTACHING PARTS - SHEET 2 OF 2	1-18
LEFT HAND DOOR ASSEMBLY	1-24
MAIN ASSEMBLY	1-14
RIGHT HAND DOOR ASSEMBLY	1-22
WINDOW WIPER SYSTEM	1-26
WINDOWS	1-20
COMPARTMENT PLATFORM	1-10
CONTROL LEVER LABELS	
MANUAL HYDRAULICS	1-54
COUNTERWEIGHTS AND FENDERS	1-28
COWL MOUNT	1-34
ELECTRONIC MINI LEVER LABELS	
DUAL FUNCTION	1-48
SINGLE FUNCTION	1-46
FLOORPLATES AND COVERS	1-8
FULL SUSPENSION SEAT	
WITH AND WITHOUT ELECTRONIC CONTROLS	1-38
FULL SUSPENSION SWIVEL SEAT	
WITH AND WITHOUT ELECTRONIC CONTROLS	1-40
HEATER	1-36
HOOD ASSEMBLY	1-2
INTERIOR PANELS AND COVERS	1-4
JOYSTICK LABELS	1-50
WITH RETURN TO SET TILT	1-52
LABELS	
EXTERIOR	1-42
INTERIOR	1-44
OVERHEAD GUARD	1-12
SEAT PAN AND COVERS	1-6
SOUND ABATEMENT	
DIESEL	1-30
LPG	1-32

<https://www.ebooklibonline.com>

Hello dear friend!

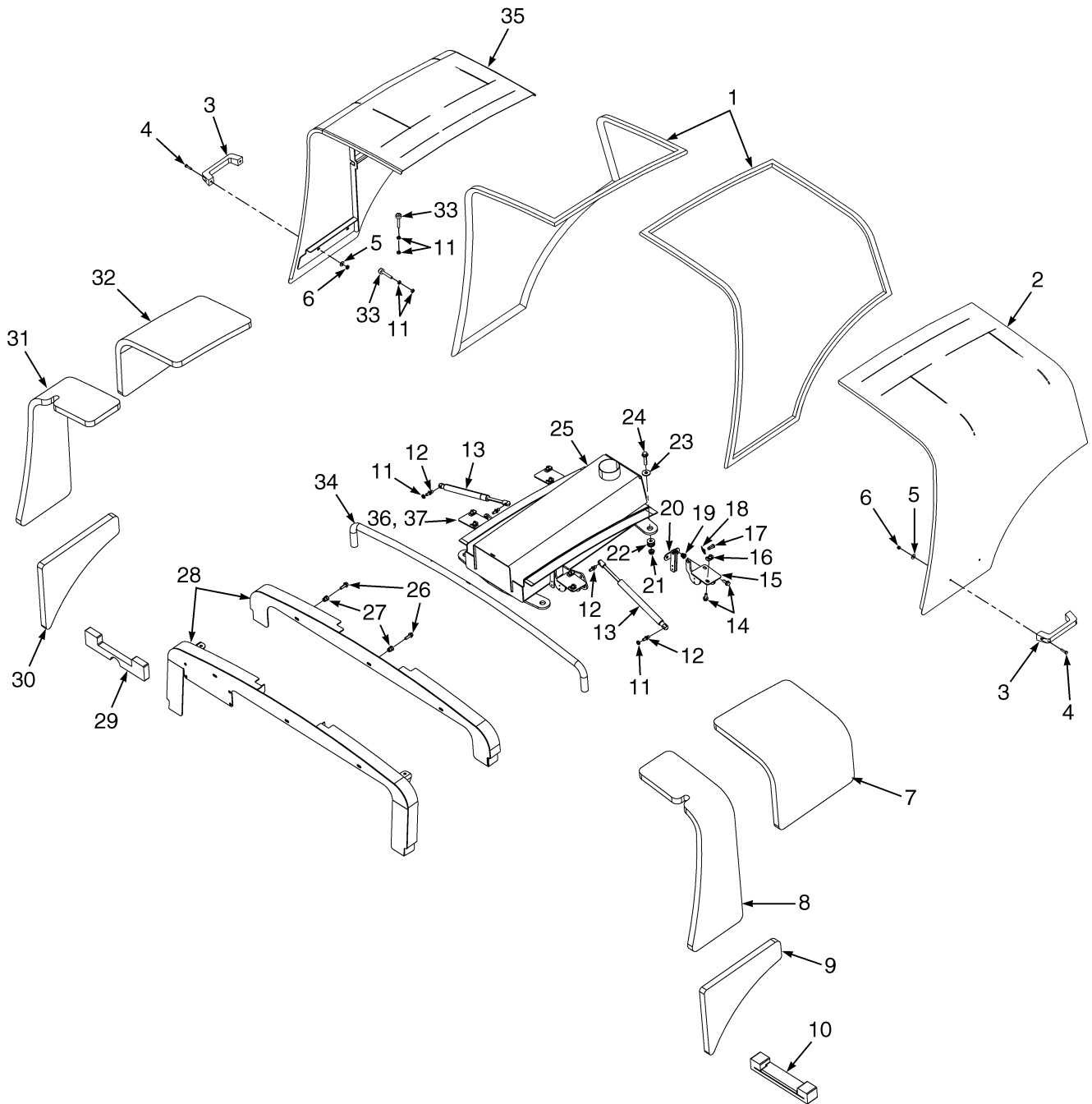
Thank you very much for reading.

Enter the link into your browser.

The full manual is available for immediate download.

<https://www.ebooklibonline.com>

HOOD ASSEMBLY (FIGURE 1-1)

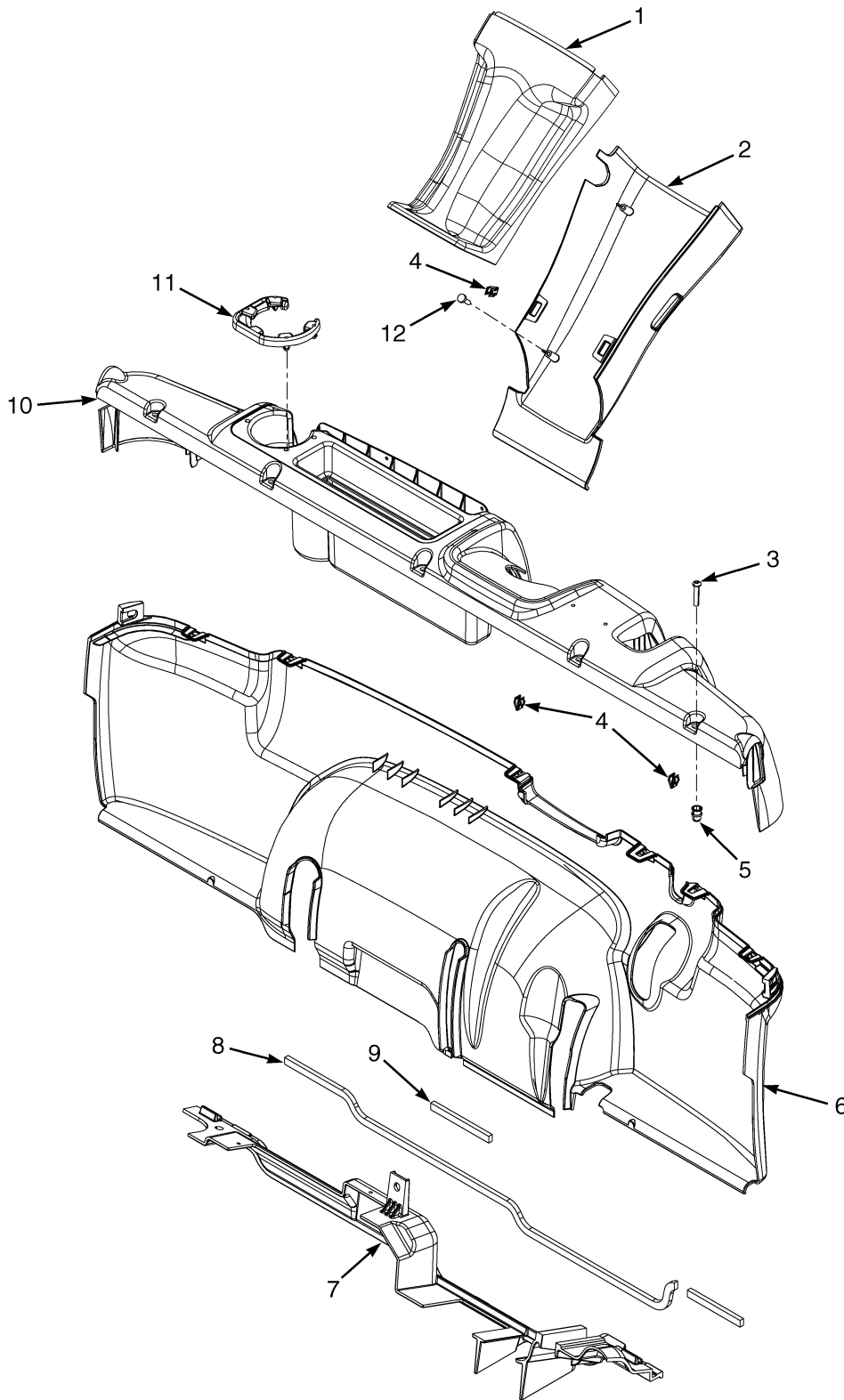


BP120554

HOOD ASSEMBLY

ITEM	PART NO.	DESCRIPTION	QTY
1	580086801	Seal	2
2	524298575	Hood (LH) (With Overhead Guard)	1
2	524298574	Hood (LH) (With Cab)	1
3	504235245	Handle	2
4	449001121	Capscrew	4
5	580017101	Washer	4
6	580055650	Nut	4
7	580078722	Sound Liner (LH)	1
8	580083675	Sound Liner (LH)	1
9	580078724	Sound Liner (LH)	1
10	580067512	Seal	1
11	580060019	Nut	12
12	580049915	Ball Stud	4
13	580072744	Gas Spring	2
14	580049231	Capscrew	16
15	580082458	Hinge	2
16	580026621	Nut	8
17	580056624	Pin (Rod End)	4
18	580000868	Lockring	4
19	580044861	Insert	8
20	580084838	Hinge (Base)	2
21	580027572	Nut	4
22	080143400	Motor Mount	4
23	518796686	Washer	4
24	580049331	Capscrew	4
25	580083446	Hood Support	1
26	580030966	Capscrew	3
27	580044860	Insert	3
28	524275588	Crossmember (With Overhead Guard)	1
28	524275589	Crossmember (With Cab)	1
29	580065933	Seal	1
30	580078725	Sound Liner (RH)	1
31	580083674	Sound Liner (RH)	1
32	580078720	Sound Liner (RH)	1
33	580058383	Bumper (Hood)	4
34	580067529	Seal	1
35	524298546	Hood (RH) (With Overhead Guard)	1
35	524298545	Hood (RH) (With Cab)	1
36	580088048	Hinge (Base)	2
37	580088049	Hinge	2

INTERIOR PANELS AND COVERS (FIGURE 1-2)



BP120386

INTERIOR PANELS AND COVERS

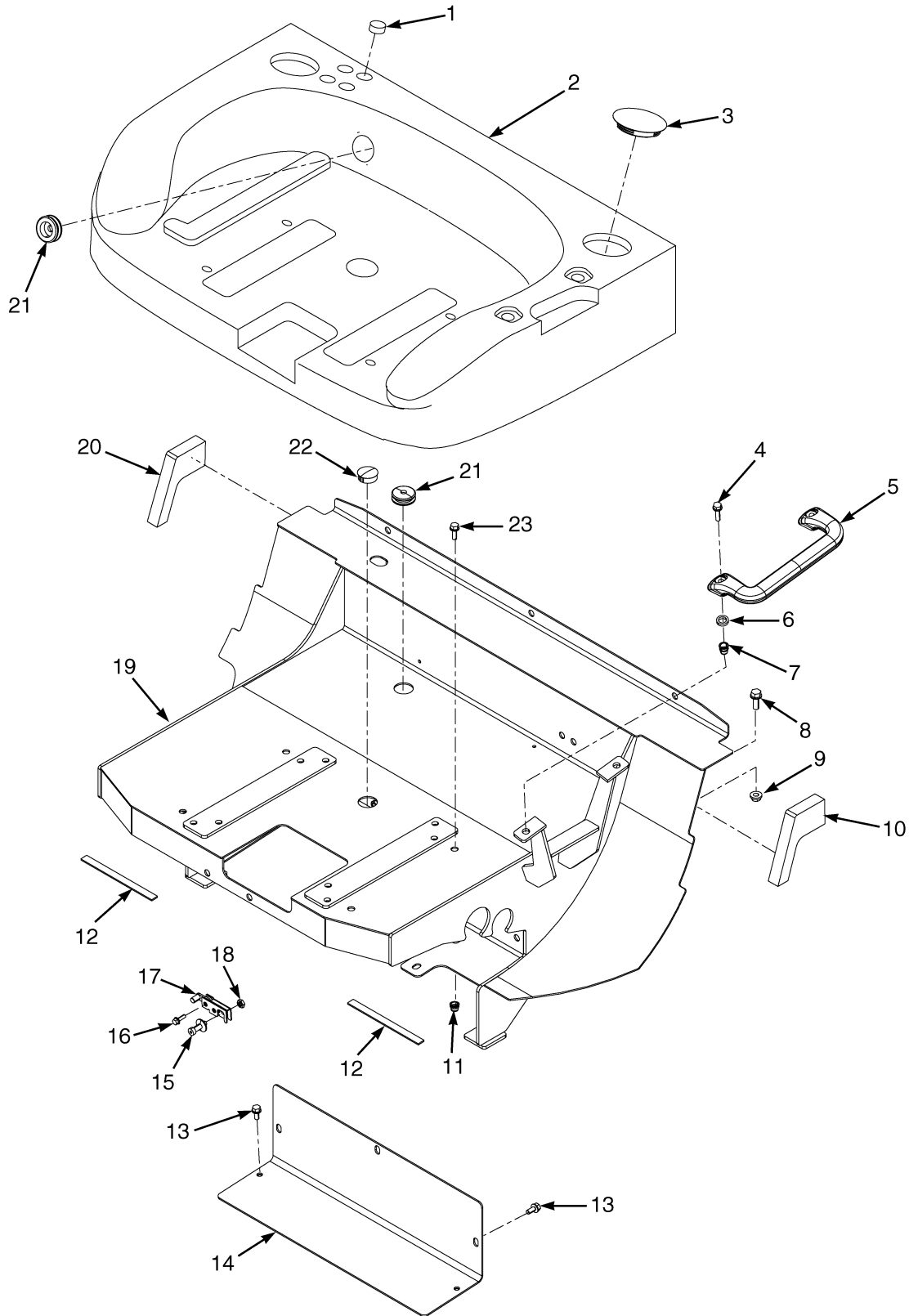
KEY:

A: Manual Hydraulics

B: Electronic Hydraulics

ITEM	PART NO.	DESCRIPTION	QTY	
			A	B
1	580083020	Cover (Steering Column Upper)	1	1
2	580046138	Cover (Steering Column Lower)	1	1
3	932728908	Capscrew	5	5
4	580046139	Clip	8	8
5	580044859	Insert	5	5
6	580052292	Panel (Single Pedal)	1	1
6	580059919	Panel (Dual Pedal)	1	1
7	580077564	Cover Plate	1	..
7	580077566	Cover Plate	1
8	580077585	Seal	1	1
9	580077584	Seal	1	1
10	580058909	Dash Panel	1	..
10	580058910	Dash Panel	1
11	580052409	Cup Holder	1	1
12	909904403	Screw	2	2

SEAT PAN AND COVERS (FIGURE 1-3)



BP120318

SEAT PAN AND COVERS

KEY:

A: With Cab

B: Without Cab

ITEM	PART NO.	DESCRIPTION	QTY	
			A	B
1	580083001	Insert	4	..
2	a 580077811	Cover (Seat Surround)	1	..
2	b 580077812	Cover (Seat Surround)	1
2	524260440	Plug	1	1
3	922365300	Cap	1	1
4	580058269	Capscrew	2	2
5	580056526	Handle (Grab)	1	1
6	580078134	Spacer	2	2
7	580044860	Insert	2	2
8	580064483	Capscrew	4	4
9	580058191	Nut	4	4
10	580067605	Seal (LH)	1	1
11	580044861	Insert	9	9
12	580078131	Seal	2	2
13	580065022	Capscrew	3	5
14	580077522	Cover	1	..
14	580077523	Cover	1
15	580064981	Striker Bolt	1	1
16	580039438	Capscrew	2	2
17	580064982	Latch	1	1
18	580008580	Nut	1	1
19	580082436	Seat Pan	1	1
20	580067606	Seal (RH)	1	1
21	580051832	Grommet	2	2
22	c 580058137	Plug	2	2
22	d 580058137	Plug	1	1
23	580056815	Capscrew	20	20

FOOTNOTES:

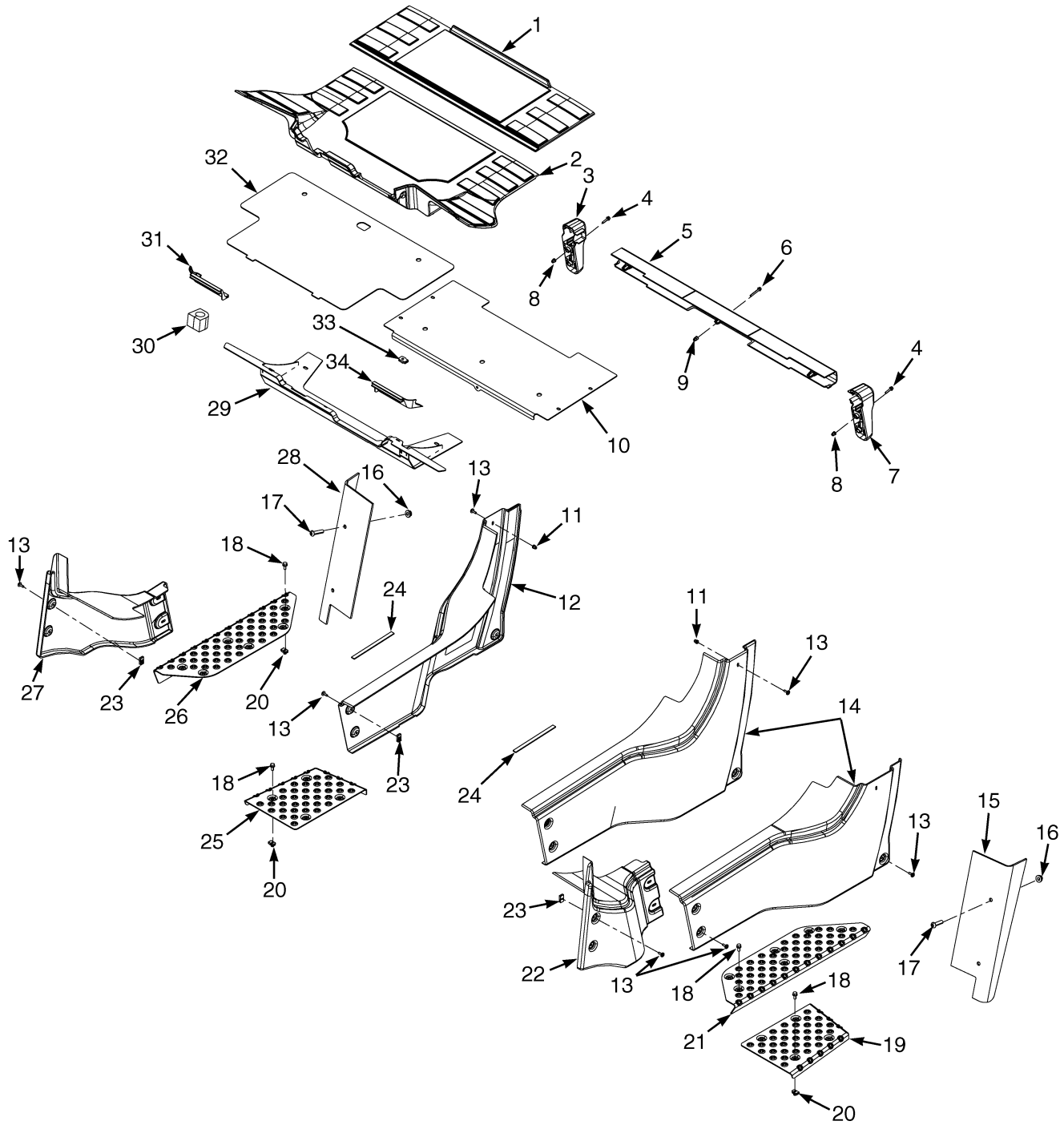
a With Cab

b With Overhead Guard

c With Swivel Seat

d Without Swivel Seat

FLOORPLATES AND COVERS (FIGURE 1-4)



BP120321

FLOORPLATES AND COVERS

KEY:

A: Without Cab

B: With Cab

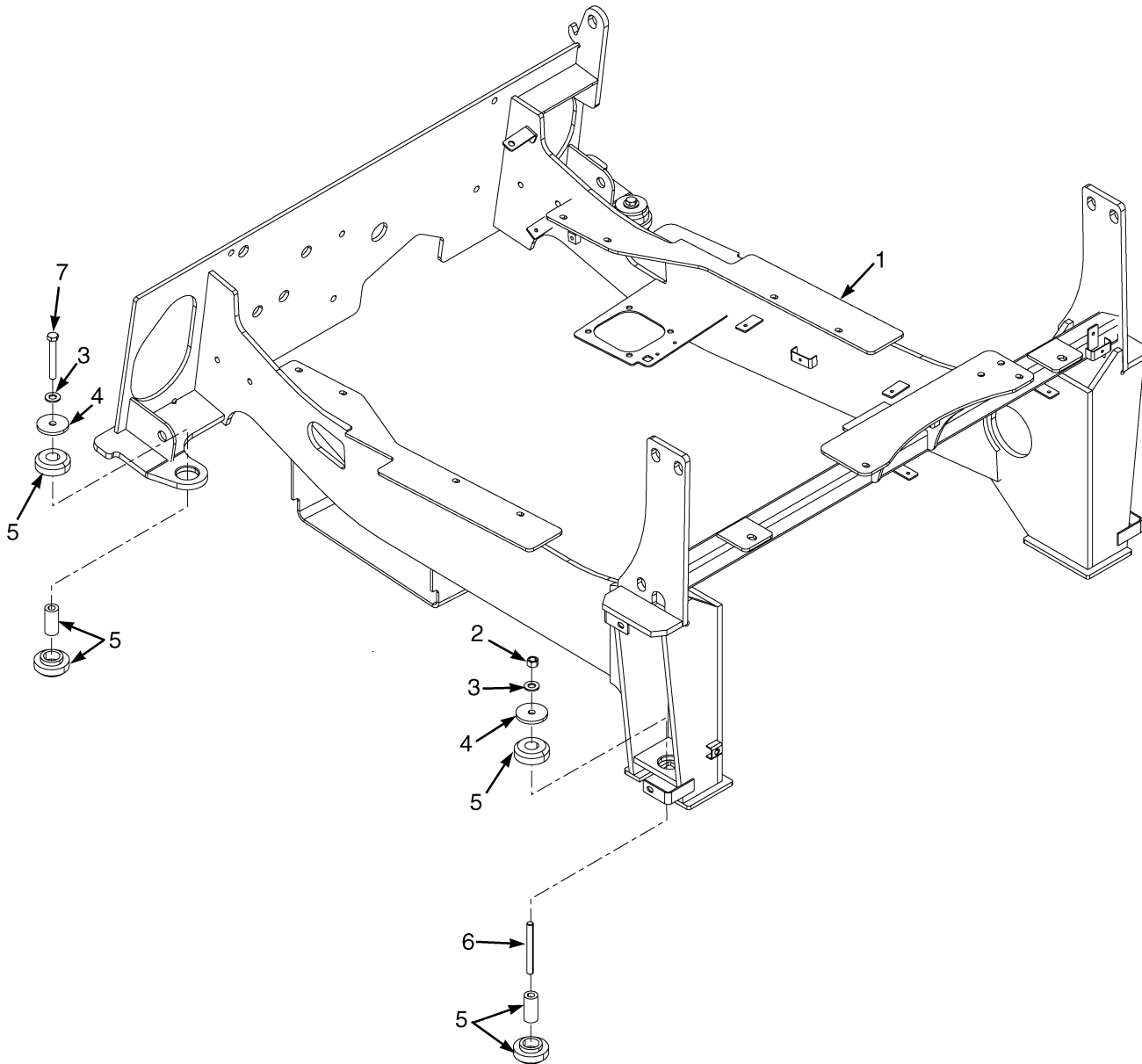
ITEM	PART NO.	DESCRIPTION	QTY	
			A	B
1	580077409	Floormat (Rear)	1	1
2	580077408	Floormat (Front)	1	1
3	580037206	Tail Light Base (RH)	1	1
4	580058212	Capscrew	4	4
5	580048573	Cover	1	1
6	580041711	Capscrew	3	3
7	580037205	Tail Light Base (LH)	1	1
8	580041704	Insert	4	4
9	580044859	Insert	3	3
10	580082371	Floorplate (Rear)	1	1
11	580041704	Insert	2	2
12	a 524274772	Cover (RH) (Rear)	1	..
12	b 524274773	Cover (RH) (Rear)	1	..
12	a 524274778	Cover (RH) (Rear)	1
12	b 524274777	Cover (RH) (Rear)	1
13	580056530	Screw	12	12
14	524274771	Cover (LH) (Rear)	1	..
14	524274776	Cover (LH) (Rear)	1
15	580083190	Plate (LH)	1	1
16	580058192	Nut	4	4
17	932731910	Capscrew	4	4
18	580065022	Capscrew	10	10
19	580083194	Plate (Lower LH Tread)	1	1
20	580026621	Nut	23	33
21	524246345	Plate (Upper LH Tread)	1	1
22	580083195	Cover (Front LH)	1
23	504225257	Nut	10	10
24	580078132	Seal	2	2
25	580083196	Plate (RH)	1	1
26	580083198	Plate (Upper RH Tread)	1	1
27	580083197	Cover (RH)	1
28	580083193	Plate (RH)	1	1
29	580064839	Floorplate	1	1
30	580038033	Grommet	1	1
31	580076408	Seal (RH)	1	1
32	580064968	Floorplate	1	1
33	580012987	Nut	8	8
34	580076407	Seal (LH)	1	1

FOOTNOTES:

a Cummins QSB 3.3L Diesel

b GM 4.3L LPG

COMPARTMENT PLATFORM (FIGURE 1-5)

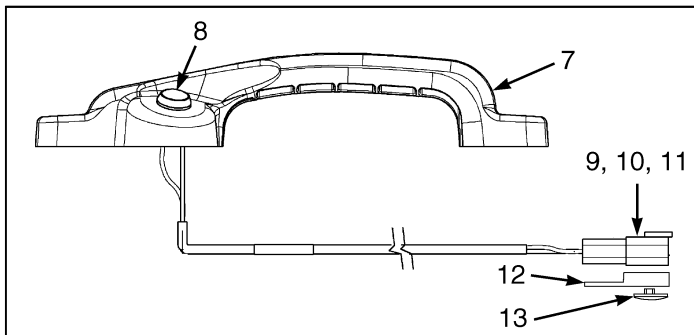
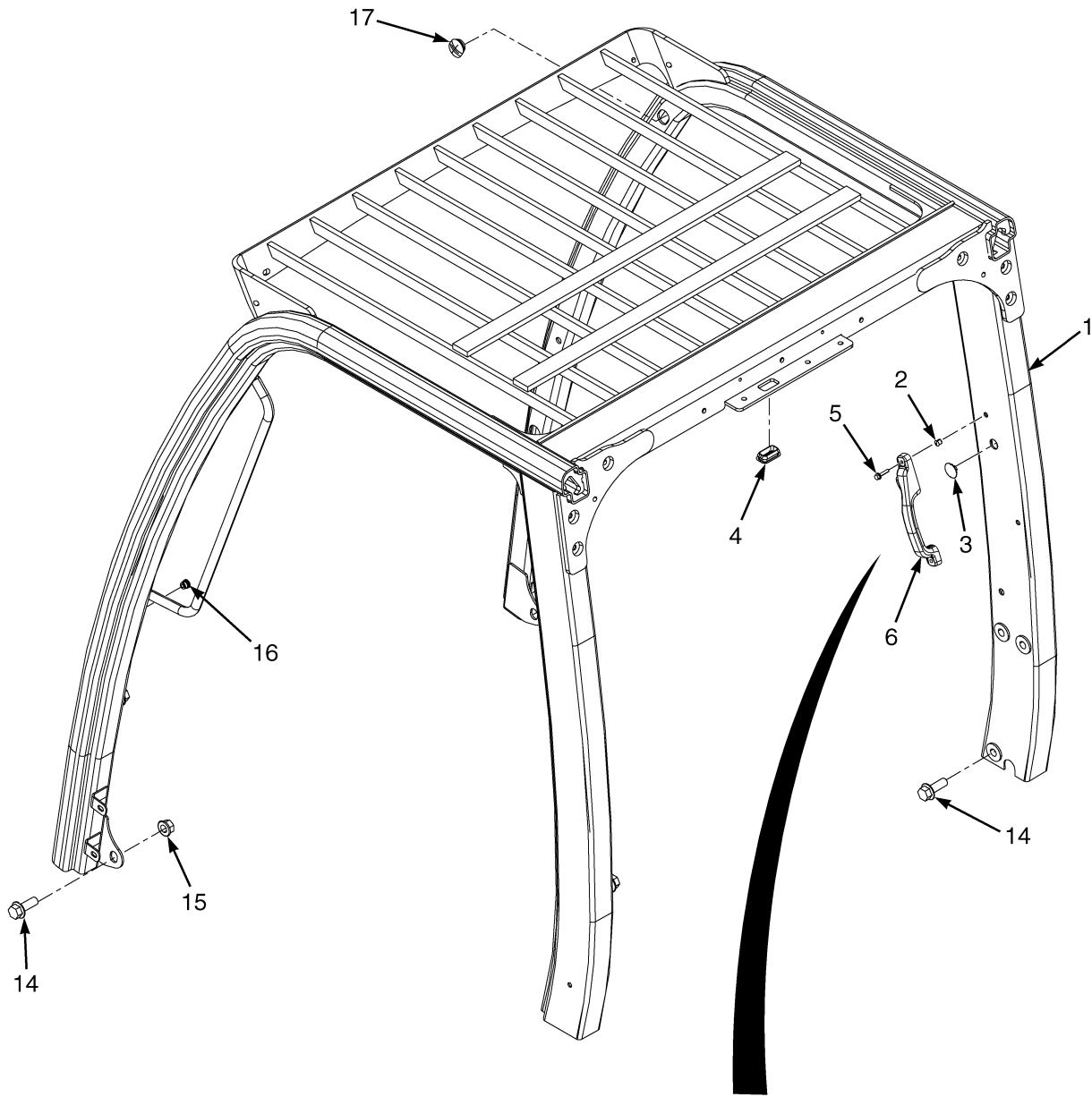


BP120335

COMPARTMENT PLATFORM

ITEM	PART NO.	DESCRIPTION	QTY
1	524251262	Module	1
2	909882405	Nut	2
3	504233271	Washer	4
4	505966562	Washer	4
5	580082448	Isolator	4
6	504323759	Stud	2
7	931015915	Capscrew	2

OVERHEAD GUARD (FIGURE 1-6)



BP120357

OVERHEAD GUARD

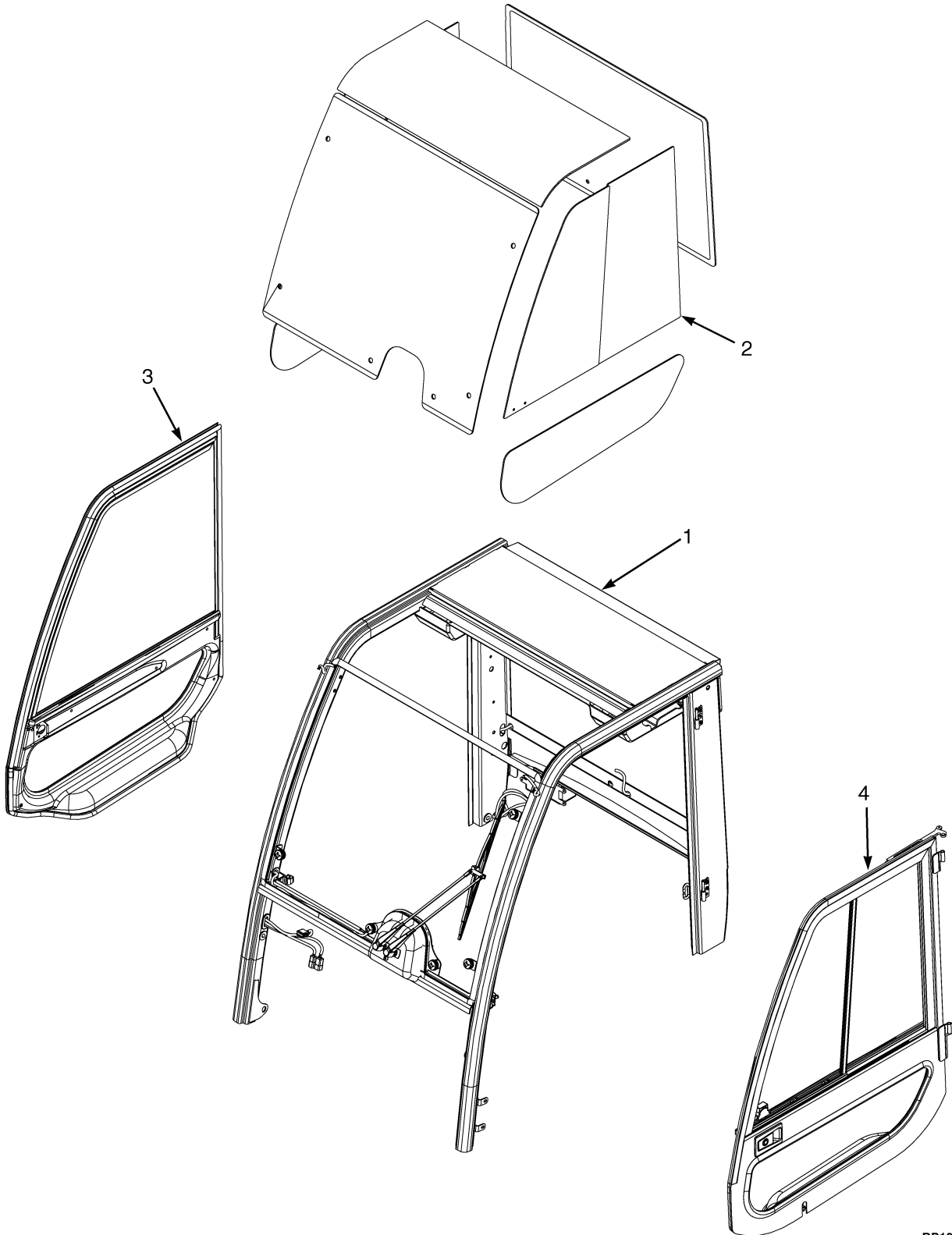
ITEM	PART NO.	DESCRIPTION	QTY
1	524294779	Overhead Guard	1
2	258979300	Plug	4
3	524240692	Plug	1
4	524208883	Grommet	1
5	b 580058212	Capscrew	2
6	b 580051747	Handle (Alternate Horn Button)	1
7	580050959	Handle	1
8	580058447	Push Button Switch	1
9	580022893	Connector	1
10	505968540	Connector	1
11	505968514	Terminal (Pin)	2
12	b 580026812	Clip	1
13	b 580056613	Fastener	1
14	580066681	Capscrew	10
15	580058194	Nut	2
16	580044861	Insert	2
17	524201323	Grommet	1
	a 580083174	Grommet	1

FOOTNOTES:

a Not Illustrated

b Optional

**CAB (FIGURE 1-7)
MAIN ASSEMBLY**

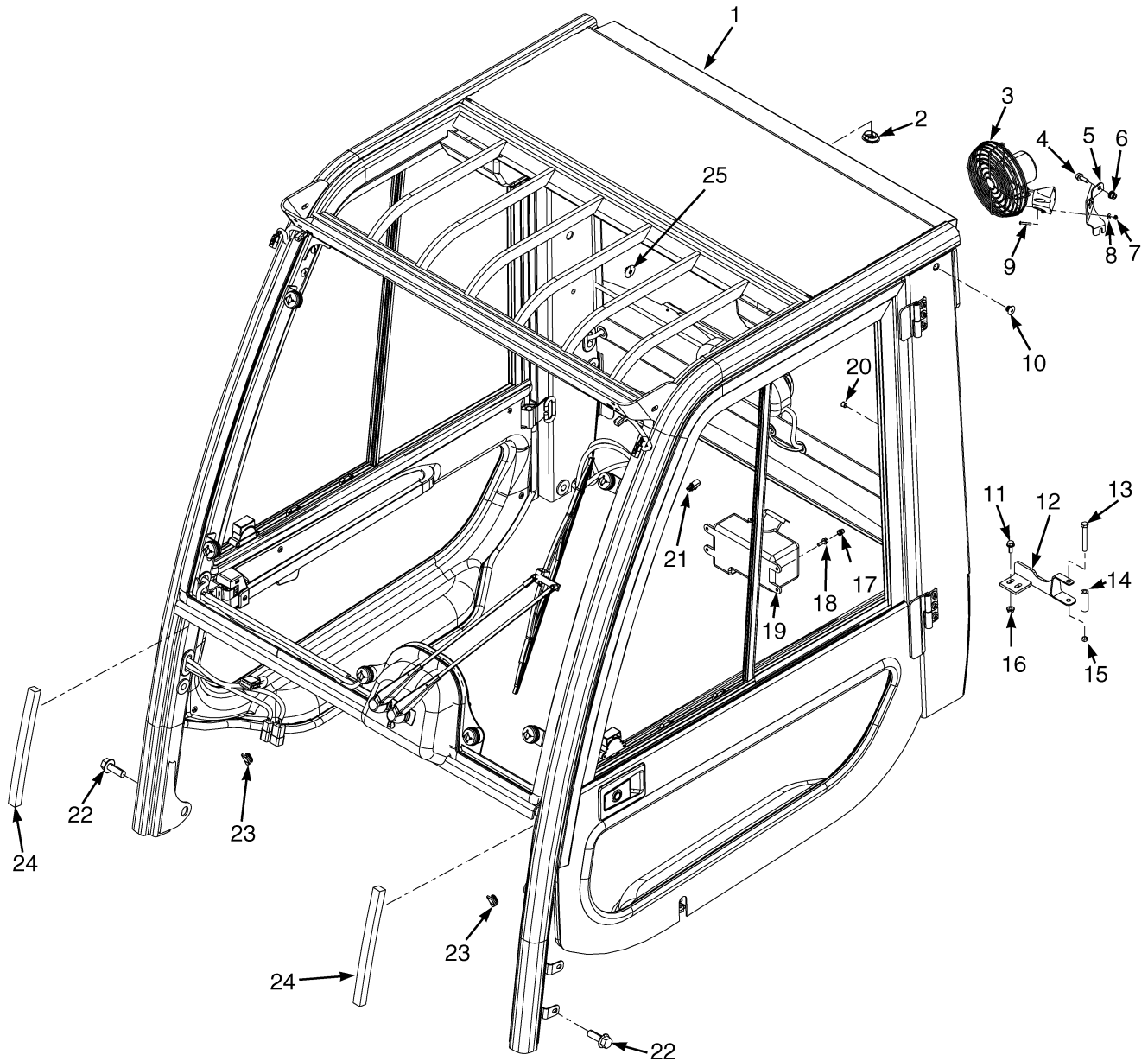


BP120332

**CAB
MAIN ASSEMBLY**

ITEM	PART NO.	DESCRIPTION	QTY
1	524305879	Cab (☞ Page 1-16, ☞ Page 1-18, ☞ Page 1-20).....	1
2	Cab Glass (☞ Page 1-20).....	1
3	524291221	Door (LH) (☞ Page 1-24).....	1
4	524291223	Door (RH) (☞ Page 1-22).....	1

CAB (FIGURE 1-8)
ATTACHING PARTS — SHEET 1 OF 2



BP120330

CAB
ATTACHING PARTS – SHEET 1 OF 2

ITEM	PART NO.	DESCRIPTION	QTY
1	524305879	Cab (With Steel Doors) (☞ Page 1-14).....	1
2	524201323	Grommet	1
3	580026712	Fan	1
4	580056815	Capscrew	2
5	580066767	Bracket	1
6	580044861	Insert	2
7	449015012	Nut	1
8	449022019	Lockwasher	4
9	580051168	Screw	4
10	580059493	Plug	10
11	580049231	Capscrew	4
12	580077842	Striker	2
13	580077851	Capscrew	2
14	580077852	Hose Assy	2
15	580062128	Fitting	2
16	580027573	Nut (Flange)	4
17	580041704	Insert	4
18	580039438	Capscrew	4
19	580077853	Reservoir (Washer Bottle with Pump)	1
20	258979300	Plug	4
21	580039799	Clip	1
22	580066681	Capscrew	10
23	580059127	Seal	2
24	580078007	Seal	2
25	524240692	Plug	1



Suggest:

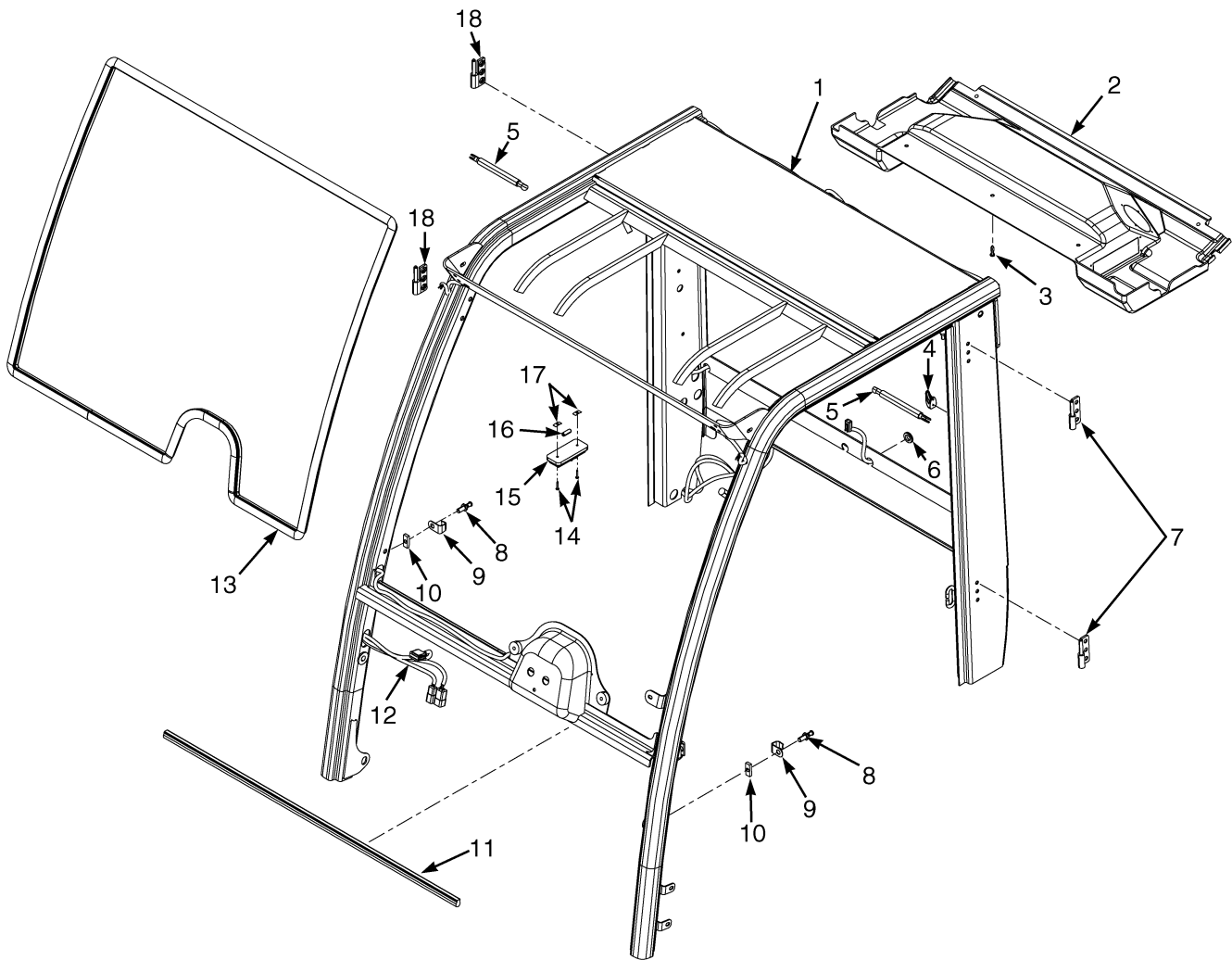
For more complete manuals. Please go to the home page.

<https://www.ebooklibonline.com>

If the above button click is invalid. Please download this document first, and then click the above link to download the complete manual.

Thank you so much for reading

CAB (FIGURE 1-9)
ATTACHING PARTS — SHEET 2 OF 2



BP120338

CAB
ATTACHING PARTS – SHEET 2 OF 2

ITEM	PART NO.	DESCRIPTION	QTY
	524305879	Cab	1
1	Cab Frame	1
2	580080814	Headliner	1
3	580015532	Insert	5
4	580077071	Coat Hook	1
5	580080815	Gas Spring	2
6	580014787	Grommet	2
7	580015761	Hinge (RH)	2
8	580080812	Bolt	2
9	580080811	Guard	2
10	580016586	Block	2
11	580077087	Seal (Front Cowl)	1
12	580077088	Wire Harness (Cab)	1
13	580080817	Seal	1
14	580021628	Screw	2
15	580014801	Dome Light	1
16	580014800	Bulb	1
17	580077643	Fastener	2
18	580015760	Hinge (LH)	2

<https://www.ebooklibonline.com>

Hello dear friend!

Thank you very much for reading.

Enter the link into your browser.

The full manual is available for immediate download.

<https://www.ebooklibonline.com>