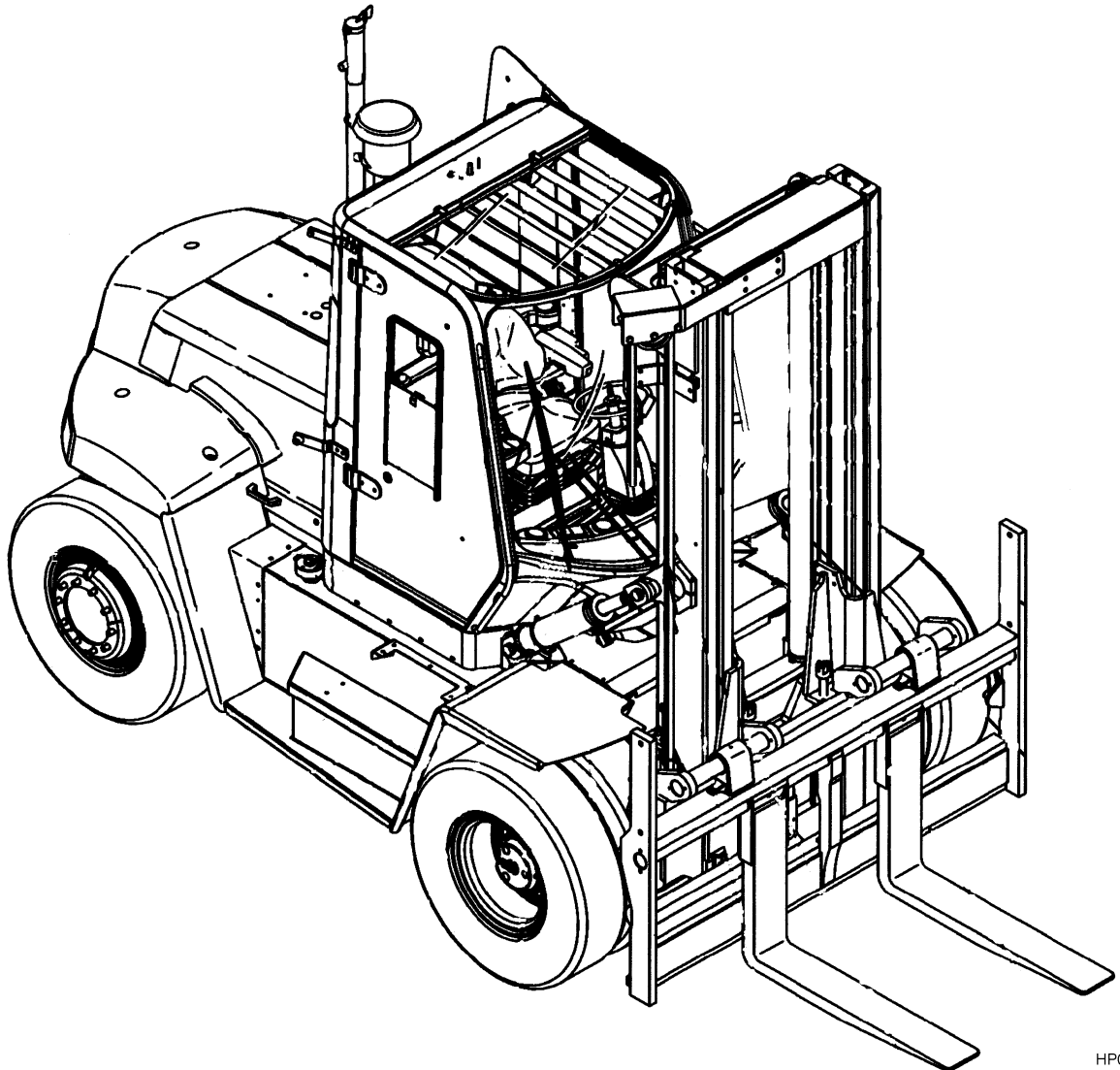


## GDP80DB, GDP90DB, GDP100DB, GDP120DB (D876)



HP000765

**SECTIONS**

<b>1</b>	<b>GENERAL TRUCK</b>
<b>2</b>	<b>ENGINE ASSEMBLY - DIESEL</b>
<b>3</b>	<b>ENGINE ASSEMBLY - LPG</b>
<b>4</b>	<b>FUEL SYSTEM</b>
<b>5</b>	<b>ELECTRICAL SYSTEM</b>
<b>6</b>	<b>STEERING SYSTEM</b>
<b>7</b>	<b>BRAKE SYSTEM</b>
<b>8</b>	<b>TRANSMISSION</b>
<b>9</b>	<b>HYDRAULIC SYSTEM</b>
<b>10</b>	<b>MAST-TWO STAGE LIMITED FREE-LIFT</b>
<b>11</b>	<b>MAST-THREE STAGE FULL FREE-LIFT</b>
<b>12</b>	<b>ATTACHMENTS AND HEADER HOSE GROUP</b>
<b>13</b>	<b>OPTIONS</b>
<b>14</b>	<b>NUMERICAL INDEX</b>

**TABLE OF CONTENTS**

DESCRIPTION	PAGE
<b>A</b>	
ACCESSORY DRIVE BELT AND TENSIONER .....	3-8
ACCESSORY HOLE COVER .....	3-9
ACCUMULATOR CHARGE VALVE .....	7-42
AIR CLEANER ASSEMBLY .....	4-14
AIR COMPRESSOR .....	2-10
AIR COMPRESSOR COOLANT PLUMBING .....	2-14
AIR COMPRESSOR INLET CONNECTION .....	3-12
AIR COMPRESSOR MOUNTING .....	2-12
AIR CONDITIONER	
CLIMATE CONTROL CAB .....	1-156
AIR CONDITIONER ASSEMBLY	
WITH TWO-FAN CONDENSER SYSTEM (S/N D876E01613F →) .....	1-106
AIR CONDITIONER SYSTEM	
CLIMATE CONTROL CAB .....	1-154
WITH TWO-FAN CONDENSER SYSTEM (S/N D876E01613F →) .....	1-104
AIR CONDITIONER SYSTEM ASSEMBLY	
WITH TWO-FAN CONDENSER SYSTEM (S/N D876E01613F →) .....	1-98
AIR CONDITIONING COMPRESSOR AND ATTACHING PARTS	
DIESEL ENGINE .....	1-78
LPG ENGINE .....	1-80
AIR DRYER ASSEMBLY .....	7-36
AIR DRYER SYSTEM	
DIESEL ENGINE - DRY BRAKE .....	7-32
LPG ENGINE - DRY BRAKE .....	7-34
AIR DUCT	
LOUVER, CLIMATE CONTROL CAB .....	1-148
AIR DUCT ASSEMBLY	
AIR CONDITIONING - WITH TWO-FAN CONDENSER SYSTEM (S/N D876E01613F →) .....	1-108
HEATER - WITH TWO-FAN CONDENSER SYSTEM (S/N D876E01613F →) .....	1-92
AIR HEATER .....	2-16
AIR INTAKE CONNECTION .....	2-18
AIR INTAKE HOSE	
→ S/N D876E01630F (DRY BRAKES) → S/N D876E01613F (WET BRAKES) .....	2-20
AIR INTAKE MANIFOLD .....	2-21
AIR INTAKE SYSTEM	
DIESEL - DRY BRAKE .....	4-10
DIESEL - WET BRAKE .....	4-12
LPG .....	4-8
AIR TRANSFER CONNECTION .....	2-22
ALARM .....	13-5
ALTERNATOR AND MOUNTING	
CUMMINS DIESEL (→ S/N D876E01613F (WET BRAKES)) (→ S/N D876E01630F (DRY BRAKES)) .....	5-34
CUMMINS DIESEL (S/N D876E01614F → (WET BRAKES)) (S/N D876E01631F → (DRY BRAKES)) .....	5-36
CUMMINS LPG .....	5-37

**<https://www.ebooklibonline.com>**

Hello dear friend!

Thank you very much for reading.

Enter the link into your browser.

The full manual is available for immediate download.

**<https://www.ebooklibonline.com>**

## TABLE OF CONTENTS (continued)

DESCRIPTION	PAGE
ALTERNATOR SUPPORT AND WATER INLET	
→ S/N D876E01613F (WET BRAKES) → S/N D876E01630F (DRY BRAKES) .....	2-23
S/N D876E01614F → (WET BRAKES) S/N D876E01631F → (DRY BRAKES) .....	2-24
ARMREST ASSEMBLY .....	1-144
AUXILIARY PUMP DRIVE .....	8-14
<b>B</b>	
BATTERY DISCONNECT .....	5-12
BELT TENSIONER .....	2-25
BRAKE ACCUMULATOR .....	7-40
BRAKE AND INCHING PEDAL LINKAGE .....	7-44
BRAKE ASSEMBLY	
DRY BRAKE .....	7-20
WET BRAKE - 425 SERIES DRIVE AXLE .....	7-16
WET BRAKE - 475 SERIES DRIVE AXLE .....	7-18
BRAKE VALVE	
DRY BRAKE .....	7-28
WET BRAKE .....	7-26
BRAKE VALVE (AIR BRAKE) .....	7-30
<b>C</b>	
CAB AND TILT CYLINDER MOUNTING .....	1-64
CAB ASSEMBLY	
CLIMATE CONTROL CAB .....	1-158
CAB ATTACHING PARTS .....	1-16
CAB DOOR	
LEFT HAND (→ S/N D876E01666G (CLOSED CAB WITH INSULATION))	
(→ S/N D876E01667G (CLOSED CAB WITH HEATER/CLOSED CAB WITH AIR CONDITIONING AND INSULATION)) .....	1-30
LEFT HAND (S/N D876E01667G → (CLOSED CAB WITH INSULATION))	
(S/N D876E01668G → (CLOSED CAB WITH HEATER/CLOSED CAB WITH AIR CONDITIONING AND INSULATION)) .....	1-34
RIGHT	
HAND (→ S/N D876E01667G (CLOSED CAB WITH HEATER/CLOSED CAB WITH AIR CONDITIONING AND INSULATION)) (→ S/N D876E01666G (CLOSED CAB WITH INSULATION)) .....	1-22
RIGHT	
HAND (S/N D876E01668G → (CLOSED CAB WITH HEATER/CLOSED CAB WITH AIR CONDITIONING AND INSULATION)) (S/N D876E01667G → (CLOSED CAB WITH INSULATION)) .....	1-26
CAB DOOR ATTACHING PARTS .....	1-20
CAB ELECTRONIC CONTROLS AND PANELS .....	1-62
CAB FLOORMATS .....	1-37
CAB RECIRCULATING FAN .....	1-58
CAB SUNSHADES .....	1-48
CAB TILT PUMP ASSEMBLY	
ELECTRIC .....	1-71
CAB WINDOWS INSTALLATION .....	1-40
CAB-MOUNTED DRIVE LIGHTS .....	13-6
CAM FOLLOWER COVER .....	3-15
CAMSHAFT .....	2-26

**TABLE OF CONTENTS (continued)**

DESCRIPTION	PAGE
CARRIAGE	
FOUR, FIVE, AND SIX FUNCTION .....	11-2
INDIVIDUAL FORK POSITIONER (FOUR FUNCTION) .....	10-2
SIMULTANEOUS FORK POSITIONER .....	10-6
SIMULTANEOUS FORK POSITIONER (THREE FUNCTION) .....	11-8
THREE FUNCTION .....	11-10
THREE FUNCTION, (WITHOUT HOSE GROUP) .....	10-10
WITH HOSE GROUP .....	10-12
CHARGE PUMP AND FILTER ASSEMBLY .....	8-16
CLIMATE CONTROL SYSTEM .....	1-152
COMPRESSOR ASSEMBLY	
WITH TWO-FAN CONDENSER SYSTEM (S/N D876E01613F →) .....	1-82
CONDENSER	
TWO-FAN SYSTEM (S/N D876E01613F →) .....	1-102
CONDENSER AND ATTACHING PARTS	
THREE-FAN SYSTEM (→ S/N D876E01612F) .....	1-76
CONDENSER SYSTEM	
TWO-FAN SYSTEM (S/N D876E01613F →) .....	1-100
CONNECTING RODS AND PISTONS	
→ S/N D876E01613F (WET BRAKES) → S/N D876E01630F (DRY BRAKES) .....	2-28
S/N D876E01614F → (WET BRAKES) S/N D876E01631F → (DRY BRAKES) .....	2-30
CONTROL PANEL	
AIR CONDITIONER .....	5-22
HEATER .....	5-24
CONTROL PANEL ASSEMBLY	
WITH TWO-FAN CONDENSER SYSTEM (S/N D876E01613F →) .....	1-110
COOLANT HEATER STARTING AID .....	2-32
COOLING SYSTEM .....	2-6
COUNTERWEIGHT .....	1-11
COUNTERWEIGHT AND OPTIONAL LIFTING EYES .....	1-12
CRANKCASE BREATHER .....	2-33
CRANKSHAFT AND BEARINGS	
→ S/N D876E01613F (WET BRAKES) → S/N D876E01630F (DRY BRAKES) .....	2-34
S/N D876E01614F → (WET BRAKES) S/N D876E01631F → (DRY BRAKES) .....	2-36
CRANKSHAFT AND MAIN BEARINGS .....	3-20
CYLINDER BLOCK	
→ S/N D876E01613F (WET BRAKES) → S/N D876E01630F (DRY BRAKES) .....	2-38
S/N D876E01614F → (WET BRAKES) S/N D876E01631F → (DRY BRAKES) .....	2-40
CYLINDER HEAD .....	2-42
<b>D</b>	
DASH DISPLAY .....	1-50
DC-DC CONVERTER AND ATTACHING PARTS .....	5-15
DELUXE SUSPENSION SEAT .....	1-118
DIFFERENTIAL AND CARRIER	
DRY BRAKE .....	8-52
WET BRAKE - 425 AND 475 SERIES .....	8-56
DIRECTIONAL CONTROL VALVE .....	12-2
DIRECTIONAL MARKER .....	13-2

## TABLE OF CONTENTS (continued)

DESCRIPTION	PAGE
DRAIN VALVE	
DRY BRAKE .....	7-24
DRIVE AXLE HOUSING AND ATTACHING PARTS .....	8-50
DRIVE GEAR .....	8-22
DRIVE PLATE .....	8-24
DRIVE TIRES AND WHEELS	
BERGOUGNAN - SOLID TIRE .....	13-17
BRIDGESTONE .....	13-18
MICHELIN .....	13-19
TRELLEBORG .....	13-20
DRY BRAKE SYSTEM .....	7-12
<b>E</b>	
ELECTRIC HORN .....	5-111
ELECTRIC PUMP .....	1-74
ELECTRICAL SYSTEM	
DIESEL ENGINE .....	5-4
LPG ENGINE .....	5-8
ELECTRONIC LEVER ASSEMBLY .....	9-38
WITH CLAMP ATTACHMENT .....	9-40
END CAP PARTS	
LIFT SECTION .....	9-24
ENGINE ASSEMBLY .....	2-44
ENGINE BLOCK HEATER .....	2-90
ENGINE CONTROL MODULE .....	2-46
ENGINE CONTROL SYSTEM	
CUMMINS DIESEL (→ S/N D876E01613F (WET BRAKES)) (→ S/N D876E01630F (DRY BRAKES))	
.....	5-26
CUMMINS DIESEL (S/N D876E01614F → (WET BRAKES)) (S/N D876E01631F → (DRY BRAKES))	
.....	5-28
CUMMINS LPG .....	5-30
ENGINE COOLANT VENT .....	2-48
ENGINE IGNITION SYSTEM	
CUMMINS LPG .....	5-40
ENGINE MOUNT .....	2-49
ENGINE OIL COOLER .....	2-50
ETR MODULE WIRING .....	2-51
EXHAUST GAS SENSOR PLUMBING .....	3-34
EXHAUST MANIFOLD .....	2-52
EXHAUST OUTLET CONNECTION .....	3-36
EXHAUST SYSTEM .....	2-8
EXTERIOR MIRRORS .....	1-18
<b>F</b>	
FAN DRIVE .....	3-37
FAN DRIVE AND MOUNTING .....	2-54
FLOORPLATES .....	1-4
FLYWHEEL .....	3-38
FLYWHEEL AND MOUNTING .....	2-56

**TABLE OF CONTENTS (continued)**

DESCRIPTION	PAGE
FLYWHEEL HOUSING	
→ S/N D876E01613F (WET BRAKES) → S/N D876E01630F (DRY BRAKES) .....	2-57
S/N D876E01614F → (WET BRAKES) S/N D876E01631F → (DRY BRAKES) → S/N 73037048 (ENGINE)	
.....	2-58
S/N D876E01614F → (WET BRAKES) S/N D876E01631F → (DRY BRAKES) S/N 73037049 → (ENGINE)	
.....	2-60
FOOT DIRECTIONAL CONTROL PEDAL ASSEMBLY .....	4-16
FORK POSITIONER CYLINDER .....	12-4
FORKS	
IDENTIFY BY PART NUMBER .....	12-6
FORWARD CLUTCH	
→ S/N D876E01670H .....	8-26
S/N D876E01671H → .....	8-28
FREE-LIFT CYLINDER .....	11-12
FRONT FENDER LIGHTS .....	13-3
FRONT GEAR COVER .....	2-62
FRONT GEAR COVER AND HOUSING .....	3-42
FRONT GEAR TRAIN ACCESSORY DRIVE .....	3-44
FUEL CONTROL MODULE	
CUMMINS LPG .....	4-24
FUEL FILTER	
CUMMINS DIESEL .....	4-34
CUMMINS LPG .....	4-27
FUEL FILTER PLUMBING	
CUMMINS DIESEL .....	4-33
FUEL INJECTION PUMP	
CUMMINS DIESEL .....	4-30
FUEL INJECTOR	
CUMMINS DIESEL .....	4-32
FUEL INJECTOR PLUMBING	
CUMMINS DIESEL .....	4-28
FUEL INLET FITTING	
CUMMINS DIESEL .....	4-35
FUEL RAIL SYSTEM	
CUMMINS DIESEL (→ S/N D876E01613F (WET BRAKES)) (→ S/N D876E01630F (DRY BRAKES))	
.....	4-36
CUMMINS DIESEL (S/N D876E01631F → (DRY BRAKES)) (S/N D876E01614F → (WET BRAKES))	
.....	4-38
FUEL SYSTEM	
DIESEL .....	4-6
LPG .....	4-2
FUEL SYSTEM ACCESSORIES	
CUMMINS LPG .....	4-20
<b>G</b>	
GEAR CLUTCH INSTALLATION .....	8-30
<b>H</b>	
HAND PUMP .....	1-72

## TABLE OF CONTENTS (continued)

DESCRIPTION	PAGE
HANDHOLD AND UNDERFLOOR COVER	
OPEN CAB .....	1-38
HEADER HOSE	
THREE STAGE FULL FREE-LIFT .....	12-8
TWO STAGE LIMITED FREE-LIFT .....	12-10
HEATED TOP WINDOW	
CLIMATE CONTROL CAB .....	13-24
HEATER AND AIR CONDITIONER ASSEMBLY	
WITH THREE-FAN CONDENSER SYSTEM .....	1-88
HEATER AND AIR CONDITIONER MOUNTING	
WITH THREE-FAN CONDENSER SYSTEM .....	1-84
HEATER AND AIR DUCT ASSEMBLY	
WITH TWO-FAN CONDENSER SYSTEM .....	1-90
HEATER ASSEMBLY	
WITH THREE-FAN CONDENSER SYSTEM .....	1-86
WITH TWO-FAN CONDENSER SYSTEM (S/N D876E01613F →) .....	1-94
HEATER HOSES	
DIESEL ENGINE .....	1-112
LPG ENGINE .....	1-114
HEATER SYSTEM	
WITH TWO-FAN CONDENSER SYSTEM (S/N D876E01613F →) .....	1-96
HEATING AND AIR CONDITIONING SYSTEM FILTER .....	1-97
HOODS AND COVERS .....	1-8
HUB AND SHAFT ASSEMBLY	
DRY BRAKE .....	8-60
WET BRAKE - 425 SERIES .....	8-62
WET BRAKE - 475 SERIES .....	8-64
HYDRAULIC CONTROL VALVE AND ATTACHING PARTS	
SHEET 1 OF 2 .....	9-18
SHEET 2 OF 2 .....	9-20
HYDRAULIC CONTROL VALVE ASSEMBLY .....	9-14
HYDRAULIC CONTROLS	
JOYSTICK .....	9-29
LEVERS .....	9-26
HYDRAULIC GEAR PUMP	
DIESEL ENGINE - WET BRAKE .....	7-39
LPG ENGINE - WET BRAKE .....	7-38
HYDRAULIC PUMP .....	9-30
HYDRAULIC SUPPLY AND RETURN	
SHEET 1 OF 3 .....	9-2
SHEET 2 OF 3 .....	9-6
SHEET 3 OF 3 .....	9-8
HYDRAULIC TANK AND ATTACHING PARTS	
→ S/N D876E01634F .....	9-10
S/N D876E01635F → .....	9-12
I	
INDICATOR DISPLAY AND CONTROLS .....	1-60
INNER MAST .....	10-16

**TABLE OF CONTENTS (continued)**

DESCRIPTION	PAGE
INTAKE MANIFOLD .....	3-46
<b>J</b>	
JOYSTICK ASSEMBLY	
TWISTLOCKS .....	5-20
<b>L</b>	
LABELS	
HYDRAULIC CONTROL - JOYSTICK .....	1-142
HYDRAULIC CONTROL - LEVERS .....	1-143
LPG FUEL TRUCK .....	1-140
MAIN .....	1-138
LIFT .....	10-18
LIFT ACCUMULATOR AND ATTACHING PARTS .....	9-33
LIFT ACCUMULATOR ASSEMBLY .....	9-32
LIFTING BRACKET .....	3-48
LIFTING BRACKETS AND MOUNTING	
→ S/N D876E01613F (WET BRAKES) → S/N D876E01630F (DRY BRAKES) .....	2-63
S/N D876E01614F → (WET BRAKES) S/N D876E01631F → (DRY BRAKES) .....	2-64
LIFTING EYES .....	13-22
LIGHT SWITCHES .....	5-14
LOUVER	
CLIMATE CONTROL CAB .....	1-146
LOW CLUTCH	
→ S/N D876E01670H .....	8-34
S/N D876E01671H → .....	8-36
LUBRICATING OIL PUMP .....	2-66
<b>M</b>	
MAIN LIFT CYLINDER .....	10-22
MAIN WINDOW ASSEMBLY .....	1-42
MAST ASSEMBLY	
SHEET 1 OF 3 .....	11-16
SHEET 2 OF 3 .....	11-18
SHEET 3 OF 3 .....	11-20
MAST INSTALLATION .....	9-42
MAST WORKLIGHTS	
TWO AND THREE STAGE MAST .....	13-10
<b>O</b>	
OIL FILLER .....	2-67
OIL FILTER .....	2-68
OIL LEVEL GAUGE .....	2-69
OIL PAN .....	2-70
OIL PUMP .....	3-54
OUTER MAST	
TWO STAGE LIMITED FREE-LIFT .....	10-26
OUTPUT FLANGE .....	8-38

## TABLE OF CONTENTS (continued)

DESCRIPTION	PAGE
OUTPUT SHAFT	
→ S/N D876E01670H .....	8-40
S/N D876E01671H → .....	8-42
OVERHEAD GUARD	
WIRE MESH .....	1-14
<b>P</b>	
PARK BRAKE	
WET BRAKE .....	8-66
PARK BRAKE SOLENOID VALVE .....	7-2
PILOT VALVE ASSEMBLY .....	9-22
PISTON AND CONNECTING ROD .....	3-56
PIVOT ARM ASSEMBLY .....	1-136
<b>R</b>	
RADIATOR ASSEMBLY .....	2-4
RADIO CONSOLE .....	1-54
RADIO PREPARATION .....	1-52
REAR DUCT AND CONSOLE .....	1-56
REAR GEAR HOUSING .....	2-72
REAR WORK LIGHTS .....	13-12
RELAYS AND FUSES .....	5-16
REMOTE FUEL FILTER	
CUMMINS DIESEL (→ S/N D876E01613F (WET BRAKES)) (→ S/N D876E01630F (DRY BRAKES))	
.....	4-21
CUMMINS DIESEL (S/N D876E01614F → (WET BRAKES)) (S/N D876E01631F → (DRY BRAKES))	
.....	4-22
REVERSE AND SECOND CLUTCH .....	8-44
REVERSE IDLER SHAFT .....	8-32
ROCKER LEVERS .....	2-74
<b>S</b>	
SEAT ASSEMBLY .....	1-132
CLIMATE CONTROL CAB .....	1-150
SEAT SUSPENSION ASSEMBLY	
AIR .....	1-120
MECHANICAL .....	1-124
SEAT SUSPENSION MOUNTING .....	1-128
SECOND 12V SOCKET OPTION	
CLIMATE CONTROL CAB .....	5-110
SIDE-SHIFT CARRIAGE	
THREE FUNCTION - THREE STAGE FULL FREE-LIFT .....	12-26
THREE STAGE FULL FREE-LIFT - FOUR, FIVE, AND SIX FUNCTION .....	12-14
THREE STAGE FULL FREE-LIFT - INDIVIDUAL FORK POSITIONER (FIVE FUNCTION) .....	12-18
THREE STAGE FULL FREE-LIFT - SIMULTANEOUS FORK POSITIONER (FOUR FUNCTION) .....	12-22
TWO STAGE LIMITED FREE-LIFT - INDIVIDUAL FORK POSITIONER (FIVE FUNCTION) .....	12-28
TWO STAGE LIMITED FREE-LIFT - SIMULTANEOUS FORK POSITIONER (FOUR FUNCTION) .....	12-32
TWO STAGE LIMITED FREE-LIFT - WITH HOSE GROUP .....	12-36
SIDE-SHIFT CYLINDER	
TWO STAGE LIMITED FREE-LIFT AND THREE STAGE FULL FREE-LIFT .....	12-40

**TABLE OF CONTENTS (continued)**

DESCRIPTION	PAGE
SOUND REDUCTION	
HOOD .....	13-21
STANDARD PIN CARRIAGE	
INDIVIDUAL FORK POSITIONER (FOUR FUNCTION) .....	11-6
THREE STAGE - FOUR, FIVE, AND SIX FUNCTION .....	11-4
STARTER MOTOR	
CUMMINS DIESEL .....	5-32
CUMMINS LPG .....	5-33
STEER AXLE .....	6-8
STEER CYLINDER .....	6-6
STEER TIRES AND WHEELS	
BERGOUGNAN - SOLID TIRE .....	13-13
BRIDGESTONE .....	13-14
MICHELIN .....	13-15
TRELLEBORG .....	13-16
STEERING COLUMN AND ATTACHING PARTS .....	6-4
STEERING COLUMN ASSEMBLY .....	6-2
STROBE LIGHT .....	13-8
<b>T</b>	
TAIL LIGHT ASSEMBLY .....	13-4
THERMOSTAT .....	2-76
THERMOSTAT HOUSING .....	3-61
THIRD CLUTCH .....	8-46
THROTTLE PEDAL LINKAGE .....	4-18
TILT CYLINDER	
CAB .....	1-68
TILT CYLINDER AND ATTACHING PARTS .....	9-36
TILT CYLINDER ASSEMBLY .....	9-34
TILT PLATFORM ASSEMBLY .....	1-70
TORQUE CONVERTER ASSEMBLY .....	8-8
TORQUE CONVERTER COOLER PLUGS .....	2-77
TORQUE CONVERTER HOUSING AND ATTACHING PARTS .....	8-6
TRAINING SEAT .....	1-116
TRANSMISSION CASE .....	8-12
TRANSMISSION CONTROL VALVE .....	8-18
TRANSMISSION MOUNT AND ATTACHING PARTS	
DIESEL ENGINE .....	8-4
LPG ENGINE .....	8-2
TURBINE SHAFT AND STATOR SUPPORT .....	8-48
TURBOCHARGER .....	2-78
TURBOCHARGER ASSEMBLY .....	3-68
TURBOCHARGER COMPRESSOR OUTLET CONNECTION .....	3-64
TURBOCHARGER PLUMBING	
→ S/N D876E01630F (DRY BRAKES) → S/N D876E01613F (WET BRAKES) .....	2-79
S/N D876E01631F → (DRY BRAKES) S/N D876E01614F → (WET BRAKES) .....	2-80
<b>U</b>	
UNIVERSAL SHAFT .....	8-10

---

**TABLE OF CONTENTS (continued)**


---

DESCRIPTION	PAGE
<b>V</b>	
VALVE COVER .....	2-82
VALVE TAPPET .....	3-72
VALVE TAPPETS .....	2-83
VIBRATION DAMPER	
→ S/N D876E01613F (WET BRAKES) → S/N D876E01630F (DRY BRAKES) .....	2-84
S/N D876E01614F → (WET BRAKES) S/N D876E01631F → (DRY BRAKES) .....	2-85
<b>W</b>	
WATER INLET CONNECTION .....	3-76
WATER OUTLET CONNECTION .....	2-86
WATER PUMP .....	2-87
WATER PUMP DRIVE .....	2-88
WET BRAKE SYSTEM	
DIESEL ENGINE .....	7-8
LPG ENGINE .....	7-4
WINDOW WIPER SYSTEM	
REAR AND ROOF WIPER KITS - AND FRONT WIPER OPTIONS .....	1-46
WASHER BOTTLE KIT .....	1-44

**TABLE OF CONTENTS (continued)**

DESCRIPTION	PAGE
WIRE HARNESS	
AIR DRYER .....	5-91
ARMREST - OPEN CAB .....	5-96
ARMREST - CLOSED CAB .....	5-98
BACK-UP ALARM .....	5-76
BRAKE TEMPERATURE .....	5-75
CAB LIGHTS .....	5-80
CAB SIDE CONSOLE - SHEET 1 OF 3 .....	5-58
CAB SIDE CONSOLE - SHEET 2 OF 3 .....	5-62
CAB SIDE CONSOLE - SHEET 3 OF 3 .....	5-66
CAB TILT .....	5-94
CAB UNDERFLOOR .....	5-92
CHASSIS, DIESEL - SHEET 1 OF 2 .....	5-50
CHASSIS, DIESEL - SHEET 2 OF 2 .....	5-54
CHASSIS, LPG - SHEET 1 OF 2 .....	5-42
CHASSIS, LPG - SHEET 2 OF 2 .....	5-46
CLOSED CAB .....	5-68
FRONT END .....	5-105
FRONT LIGHTS - WITH FRONT FENDER AND MAST WORKLIGHTS .....	5-82
FRONT LIGHTS .....	5-84
HYDRAULIC OIL TEMPERATURE .....	5-104
MAST LIGHT EXTENSION - RIGHT HAND .....	5-87
MAST LIGHT EXTENSION - LEFT HAND .....	5-88
MAST WORKLIGHT EXTENSION .....	5-86
OPEN CAB .....	5-72
REAR DRIVE LIGHT EXTENSION .....	5-78
REAR WIPER .....	5-100
REAR WORK LIGHTS .....	5-89
SHIFT LEVER .....	5-108
STEERING COLUMN .....	5-102
STROBE LIGHT .....	5-90
TAIL LIGHTS .....	5-109
TWO STAGE LIMITED FREE-LIFT .....	5-107
WINDOW WASH PUMPS .....	5-74

**SECTION 1  
GENERAL TRUCK**

DESCRIPTION	PAGE
AIR CONDITIONER	
CLIMATE CONTROL CAB .....	1-156
AIR CONDITIONER ASSEMBLY	
WITH TWO-FAN CONDENSER SYSTEM (S/N D876E01613F →) .....	1-106
AIR CONDITIONER SYSTEM	
CLIMATE CONTROL CAB .....	1-154
WITH TWO-FAN CONDENSER SYSTEM (S/N D876E01613F →) .....	1-104
AIR CONDITIONER SYSTEM ASSEMBLY	
WITH TWO-FAN CONDENSER SYSTEM (S/N D876E01613F →) .....	1-98
AIR CONDITIONING COMPRESSOR AND ATTACHING PARTS	
DIESEL ENGINE .....	1-78
LPG ENGINE .....	1-80
AIR DUCT	
LOUVER, CLIMATE CONTROL CAB .....	1-148
AIR DUCT ASSEMBLY	
AIR CONDITIONING - WITH TWO-FAN CONDENSER SYSTEM (S/N D876E01613F →) .....	1-108
HEATER - WITH TWO-FAN CONDENSER SYSTEM (S/N D876E01613F →) .....	1-92
ARMREST ASSEMBLY .....	1-144
CAB AND TILT CYLINDER MOUNTING .....	1-64
CAB ASSEMBLY	
CLIMATE CONTROL CAB .....	1-158
CAB ATTACHING PARTS .....	1-16
CAB DOOR	
LEFT HAND (→ S/N D876E01666G (CLOSED CAB WITH INSULATION))	
(→ S/N D876E01667G (CLOSED CAB WITH HEATER/CLOSED CAB WITH AIR CONDITIONING AND INSULATION)) .....	1-30
LEFT HAND (S/N D876E01667G → (CLOSED CAB WITH INSULATION))	
(S/N D876E01668G → (CLOSED CAB WITH HEATER/CLOSED CAB WITH AIR CONDITIONING AND INSULATION)) .....	1-34
RIGHT	
HAND (→ S/N D876E01667G (CLOSED CAB WITH HEATER/CLOSED CAB WITH AIR CONDITIONING AND INSULATION)) (→ S/N D876E01666G (CLOSED CAB WITH INSULATION)) .....	1-22
RIGHT	
HAND (S/N D876E01668G → (CLOSED CAB WITH HEATER/CLOSED CAB WITH AIR CONDITIONING AND INSULATION)) (S/N D876E01667G → (CLOSED CAB WITH INSULATION)) .....	1-26
CAB DOOR ATTACHING PARTS .....	1-20
CAB ELECTRONIC CONTROLS AND PANELS .....	1-62
CAB FLOORMATS .....	1-37
CAB RECIRCULATING FAN .....	1-58
CAB SUNSHADES .....	1-48
CAB TILT PUMP ASSEMBLY	
ELECTRIC .....	1-71
CAB WINDOWS INSTALLATION .....	1-40
CLIMATE CONTROL SYSTEM .....	1-152
COMPRESSOR ASSEMBLY	
WITH TWO-FAN CONDENSER SYSTEM (S/N D876E01613F →) .....	1-82
CONDENSER	
TWO-FAN SYSTEM (S/N D876E01613F →) .....	1-102

## SECTION 1 GENERAL TRUCK

DESCRIPTION	PAGE
CONDENSER AND ATTACHING PARTS	
THREE-FAN SYSTEM (→ S/N D876E01612F) .....	1-76
CONDENSER SYSTEM	
TWO-FAN SYSTEM (S/N D876E01613F →) .....	1-100
CONTROL PANEL ASSEMBLY	
WITH TWO-FAN CONDENSER SYSTEM (S/N D876E01613F →) .....	1-110
COUNTERWEIGHT .....	1-11
COUNTERWEIGHT AND OPTIONAL LIFTING EYES .....	1-12
DASH DISPLAY .....	1-50
DELUXE SUSPENSION SEAT .....	1-118
ELECTRIC PUMP .....	1-74
EXTERIOR MIRRORS .....	1-18
FLOORPLATES .....	1-4
HAND PUMP .....	1-72
HANDHOLD AND UNDERFLOOR COVER	
OPEN CAB .....	1-38
HEATER AND AIR CONDITIONER ASSEMBLY	
WITH THREE-FAN CONDENSER SYSTEM .....	1-88
HEATER AND AIR CONDITIONER MOUNTING	
WITH THREE-FAN CONDENSER SYSTEM .....	1-84
HEATER AND AIR DUCT ASSEMBLY	
WITH TWO-FAN CONDENSER SYSTEM .....	1-90
HEATER ASSEMBLY	
WITH THREE-FAN CONDENSER SYSTEM .....	1-86
WITH TWO-FAN CONDENSER SYSTEM (S/N D876E01613F →) .....	1-94
HEATER HOSES	
DIESEL ENGINE .....	1-112
LPG ENGINE .....	1-114
HEATER SYSTEM	
WITH TWO-FAN CONDENSER SYSTEM (S/N D876E01613F →) .....	1-96
HEATING AND AIR CONDITIONING SYSTEM FILTER .....	1-97
HOODS AND COVERS .....	1-8
INDICATOR DISPLAY AND CONTROLS .....	1-60
LABELS	
HYDRAULIC CONTROL - JOYSTICK .....	1-142
HYDRAULIC CONTROL - LEVERS .....	1-143
LPG FUEL TRUCK .....	1-140
MAIN .....	1-138
LOUVER	
CLIMATE CONTROL CAB .....	1-146
MAIN WINDOW ASSEMBLY .....	1-42
OVERHEAD GUARD	
WIRE MESH .....	1-14
PIVOT ARM ASSEMBLY .....	1-136
RADIO CONSOLE .....	1-54
RADIO PREPARATION .....	1-52
REAR DUCT AND CONSOLE .....	1-56
SEAT ASSEMBLY .....	1-132
CLIMATE CONTROL CAB .....	1-150

---

**SECTION 1  
GENERAL TRUCK**

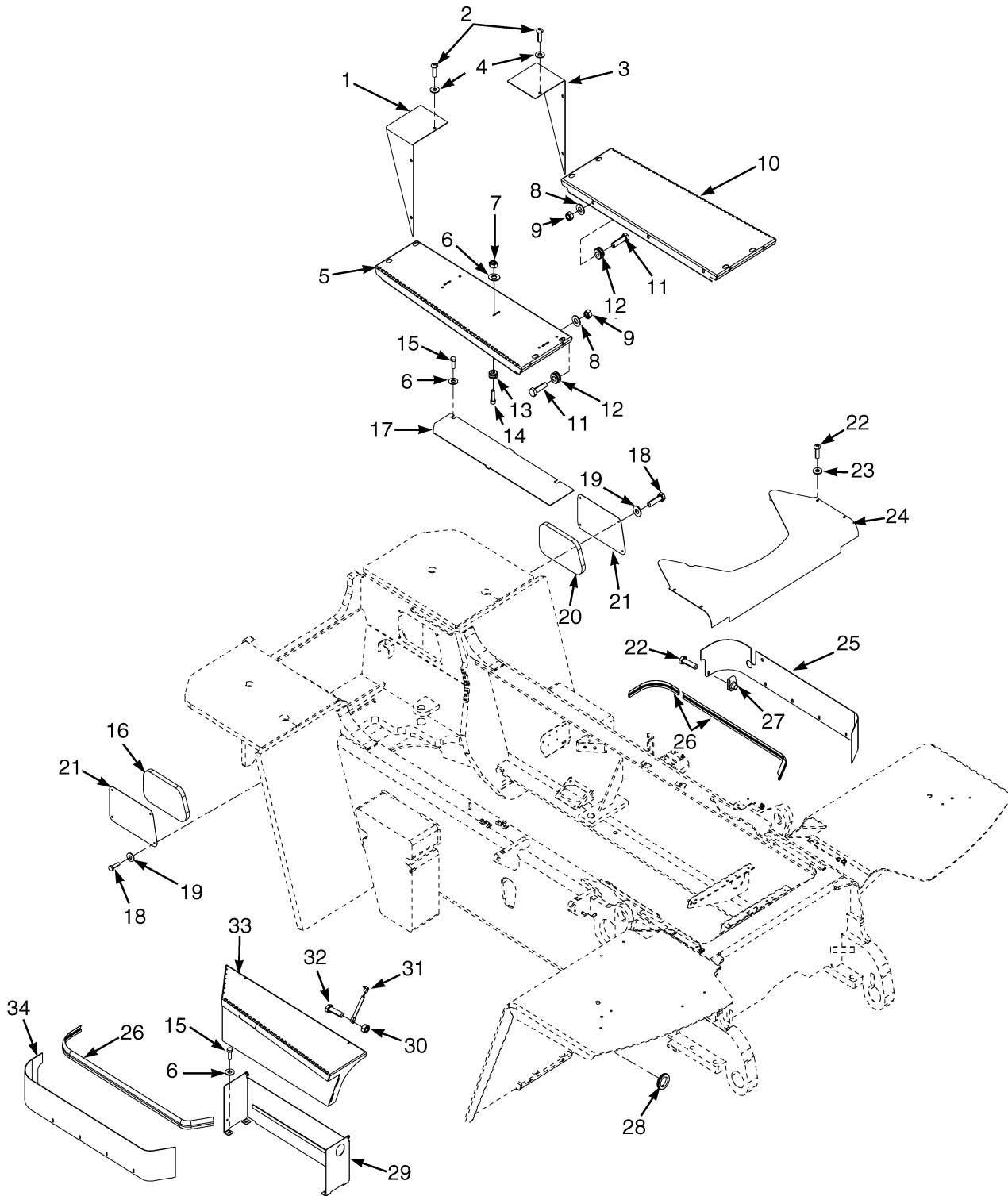
---

---

<b>DESCRIPTION</b>	<b>PAGE</b>
SEAT SUSPENSION ASSEMBLY	
AIR .....	1-120
MECHANICAL .....	1-124
SEAT SUSPENSION MOUNTING .....	1-128
TILT CYLINDER	
CAB .....	1-68
TILT PLATFORM ASSEMBLY .....	1-70
TRAINING SEAT .....	1-116
WINDOW WIPER SYSTEM	
REAR AND ROOF WIPER KITS - AND FRONT WIPER OPTIONS .....	1-46
WASHER BOTTLE KIT .....	1-44

---

### FLOORPLATES (FIGURE 1-1)



HP121095

FLOORPLATES

KEY:

A: GDP/GLP80DB, GDP/GLP90DB

B: GDP/GLP100DB, GDP/GLP120DB

ITEM	PART NO.	DESCRIPTION	QTY	
			A	B
1	b 524280921	Plate (RH) .....	1	..
1	c 524311094	Extension (RH) .....	1	..
1	b 524280905	Extension (RH) .....	..	1
1	c 524312171	Extension (RH) .....	..	1
2	580081581	Capscrew .....	6	6
3	b 524280920	Plate (LH) .....	1	..
3	c 524311894	Extension (LH) .....	1	..
3	b 524280904	Extension (LH) .....	..	1
3	c 524312170	Extension (LH) .....	..	1
4	580055633	Washer .....	6	6
5	b 524282486	Running Board (RH) .....	1	..
5	c 524312053	Running Board (RH) .....	1	..
5	b 524282487	Running Board (RH) .....	..	1
5	c 524312054	Running Board (RH) .....	..	1
6	b 504226242	Washer .....	28	28
6	c 504226242	Washer .....	16	16
7	b 449015098	Nut .....	8	8
8	b 449015115	Locknut .....	6	6
9	b 504225227	Washer .....	18	18
10	b 524282338	Running Board (LH) .....	1	..
10	c 524325830	Running Board (LH) .....	1	..
10	b 524282339	Running Board (LH) .....	..	1
10	c 524325831	Running Board (LH) .....	..	1
11	b 449001004	Capscrew .....	6	6
12	b 580001469	Grommet .....	6	6
13	b 580006967	Grommet .....	8	8
14	580047534	Capscrew .....	8	8
15	449001014	Screw .....	4	4
16	580073662	Sound Liner (RH) .....	1	1
17	580077238	Cover .....	1	1
18	449001134	Capscrew .....	8	8
19	449021001	Washer .....	8	8
20	580073659	Sound Liner (LH) .....	1	1
21	580073658	Plate .....	2	2
22	580082765	Capscrew .....	14	14
23	580056003	Washer .....	14	14
24	524144731	Cover .....	1	1
25	524143592	Panel (LH) .....	1	1
26	580022014	Seal-Bulk .....	AR	AR
27	580026621	Nut .....	14	14
28	580003238	Grommet .....	1	1
29	580077253			
	550013524	Box (Battery) .....	1	1
30	580004592	Nut .....	2	2
31	580039081	Gas Spring .....	1	1
32	580037280	Capscrew .....	2	2

## FLOORPLATES

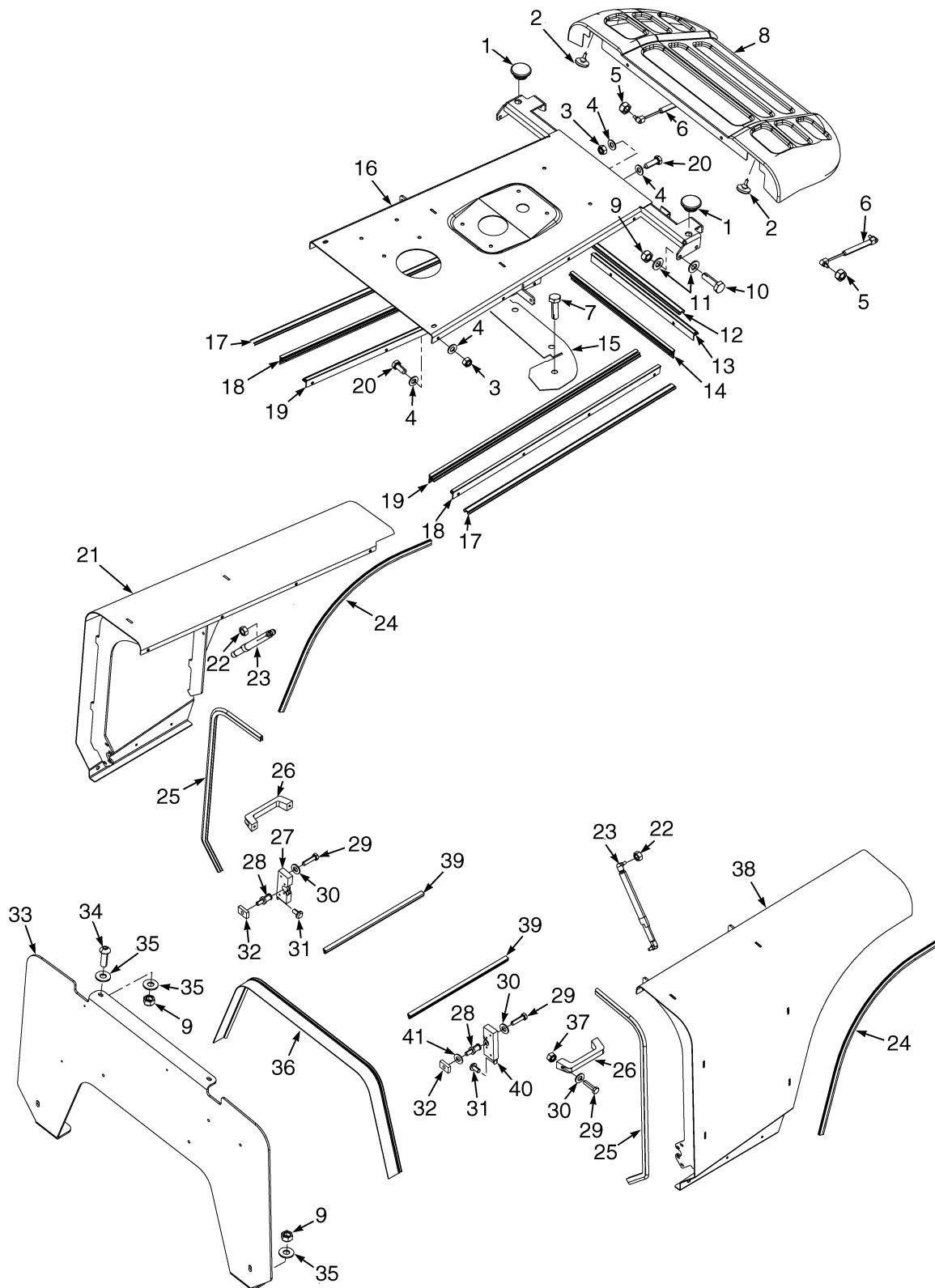
**KEY:****A:** GDP/GLP80DB, GDP/GLP90DB**B:** GDP/GLP100DB, GDP/GLP120DB

ITEM	PART NO.	DESCRIPTION	QTY	
			A	B
33	580077251	Cover (Battery Box) .....	1	1
33	550013525	Cover (Battery Box) (With Battery Disconnect Switch) .....	1	1
34	524143593	Panel (RH) .....	1	1
	<b>a</b> 518795609	Foam Tape (Counterweight) .....	AR	AR
	<b>ac</b> 580092780	Damper .....	12	12
	<b>ac</b> 449001028	Capscrew .....	4	4

**FOOTNOTES:****a** Not Illustrated**c** S/N D876E01635F →**b** → S/N D876E01634F



### HOODS AND COVERS (FIGURE 1-2)



HP121091

**HOODS AND COVERS**

**KEY:**

**A: GDP100DB, GDP120DB**

**B: GDP80DB, GDP90DB**

ITEM	PART NO.	DESCRIPTION	QTY	
			A	B
1	580082606	Plug .....	2	2
2	580077818	Button .....	2	2
3	449015098	Nut .....	20	20
4	449021001	Washer .....	20	20
5	580004592	Nut .....	2	2
6	580077819	Gas Spring .....	2	2
7	580083686	Rivet .....	9	9
8	580077745	Cover .....	1	..
8	580077744	Cover .....	..	1
8	580086984	Cover (Alternate Part) .....	..	1
9	449015036	Locknut .....	8	8
10	449001015	Capscrew .....	4	4
11	449021006	Washer .....	8	8
12	580072723	Hinge .....	1	1
13	580072718	Hinge .....	1	1
14	580072717	Hinge .....	1	1
15	580083468	Seal .....	1	1
16	580073729	Support .....	1	1
17	580072722	Hinge .....	2	2
18	580072715	Hinge .....	2	2
19	580072716	Hinge .....	2	2
20	580081111	Capscrew .....	16	16
21	524268653	Hood (LH) .....	1	..
21	524268651	Hood (LH) .....	..	1
22	449015014	Nut .....	4	4
23	580032060	Gas Spring .....	2	2
24	580074006	Trim Seal .....	2	..
24	580074005	Trim Seal .....	..	2
25	580072833	Trim Seal .....	2	2
26	504235245	Handle .....	2	2
27	580072817	Latch .....	1	1
28	580028818	Bolt .....	2	2
29	449001121	Capscrew .....	12	12
30	449021003	Washer .....	12	12
31	580077750	Button (Unlock) .....	2	2
32	580028816	Block (Tapped) .....	2	2
33	580082604	Plate .....	1	1
34	580081581	Capscrew .....	2	2
35	580055633	Washer .....	6	6
36	580073449	Trim Seal .....	1	1
37	449015135	Nut .....	4	4
38	524268654	Hood (RH) .....	1	..
38	524268652	Hood (RH) .....	..	1
39	580072994	Trim Seal .....	2	..
39	580072993	Trim Seal .....	..	2
40	580072816	Latch .....	1	1

**HOODS AND COVERS**

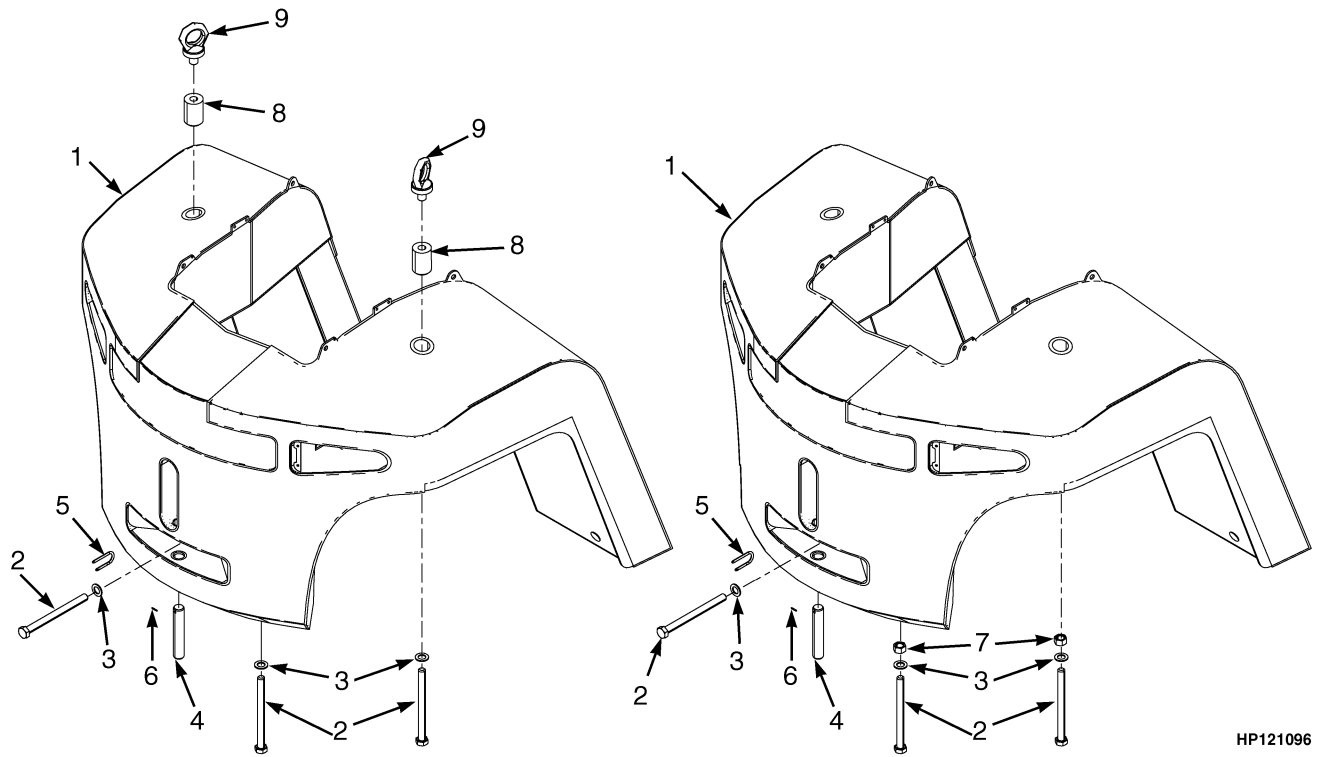
**KEY:**

**A: GDP100DB, GDP120DB**

**B: GDP80DB, GDP90DB**

ITEM	PART NO.	DESCRIPTION	QTY	
			A	B
41	449021010	Washer .....	2	2

**COUNTERWEIGHT (FIGURE 1-3)**



HP121096

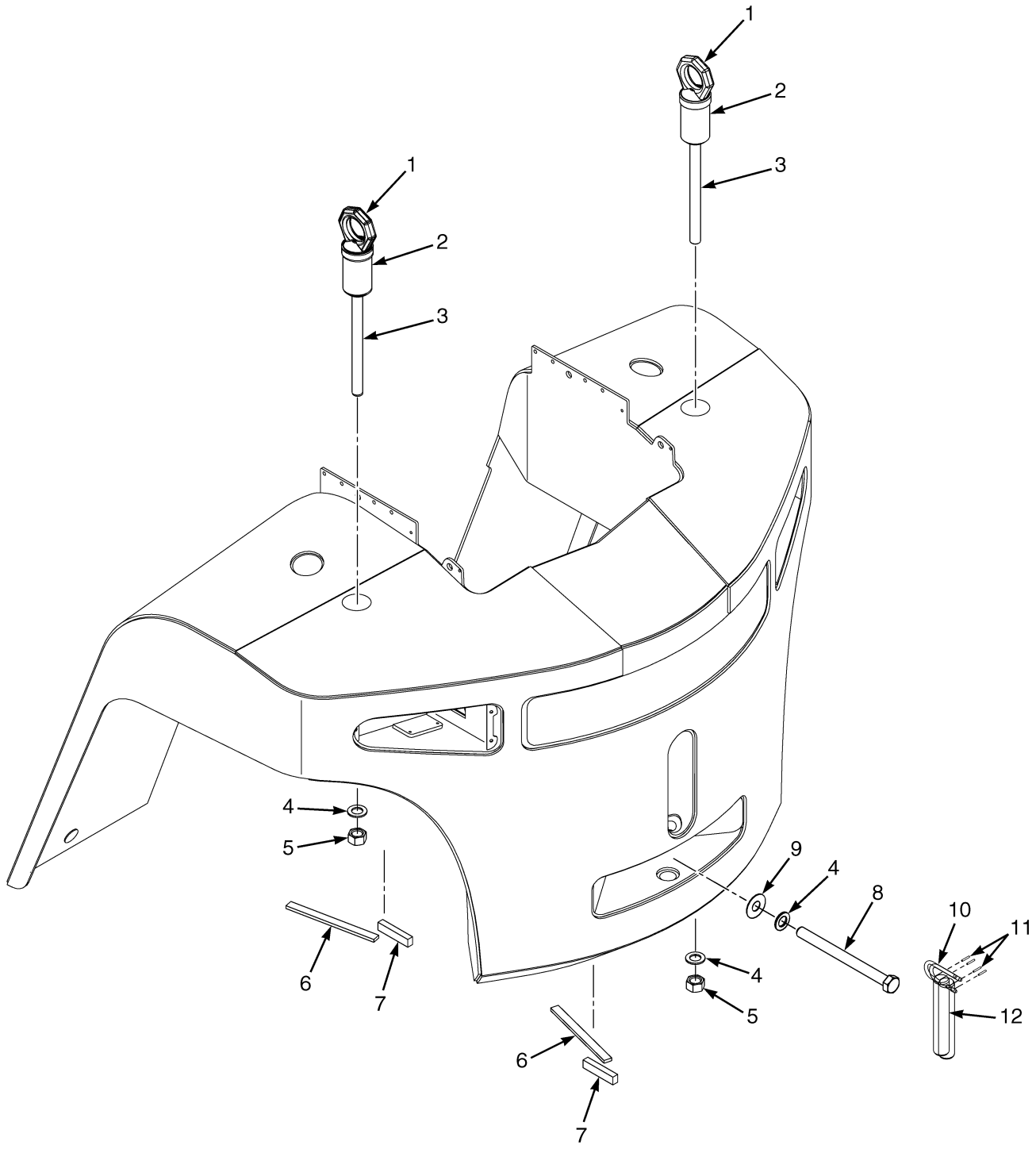
**KEY:**

**A: Without Lifting Eyes**

**B: With Lifting Eyes**

ITEM	PART NO.	DESCRIPTION	QTY	
			A	B
1	524281010	Counterweight (GDP080DB) .....	1	1
1	524281011	Counterweight (GDP090DB) .....	1	1
1	524281012	Counterweight (GDP100DB) .....	1	1
1	524281014	Counterweight (GDP120DB) .....	1	1
2	580064244	Capscrew .....	3	3
3	580008887	Washer .....	5	5
4	580082763	Tow Pin .....	1	1
5	580077641	Grip .....	1	1
6	449034085	Roll Pin .....	2	2
7	937300930	Nut .....	2	..
8	580076808	Nut (Special) .....	..	2
9	580031128	Lifting Eye .....	..	2
	580031198	Foam Tape .....	AR	AR
	580003802	Foam .....	AR	AR

### COUNTERWEIGHT AND OPTIONAL LIFTING EYES (FIGURE 1-4)



BP000542

**COUNTERWEIGHT AND OPTIONAL LIFTING EYES**

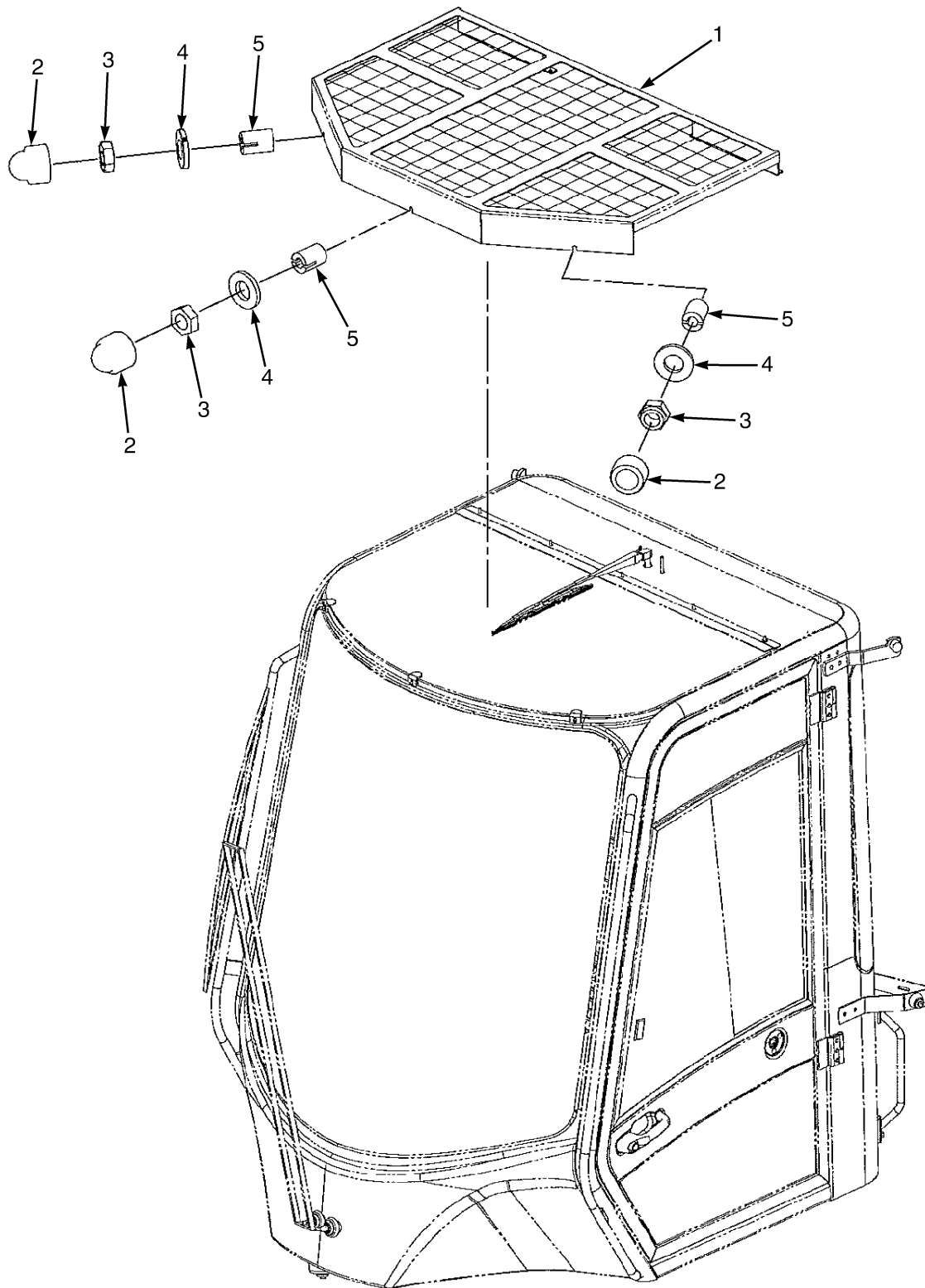
**KEY:**

**A: With Optional Lifting Eyes (Shown)**

**B: Without Optional Lifting Eyes**

ITEM	PART NO.	DESCRIPTION	QTY	
			A	B
	524281010	Counterweight (GDP080DB) .....	1	1
	524281011	Counterweight (GDP090DB) .....	1	1
	524281012	Counterweight (GDP100DB) .....	1	1
	524281014	Counterweight (GDP120DB) .....	1	1
1	580031128	Lifting Eye .....	2	..
2	580085985	Nut .....	2	..
3	580086033	Stud .....	2	..
4	580008887	Washer .....	3	5
5	937300930	Nut .....	2	2
6	580031198	Foam Tape .....	AR	AR
7	580003802	Foam .....	AR	AR
8	580064244	Capscrew .....	1	3
9	580085984	Shim .....	2	2
10	580077641	Grip .....	1	1
11	449034085	Roll Pin .....	2	2
12	580082763	Tow Pin .....	1	1

**OVERHEAD GUARD (FIGURE 1-5)**  
**WIRE MESH**

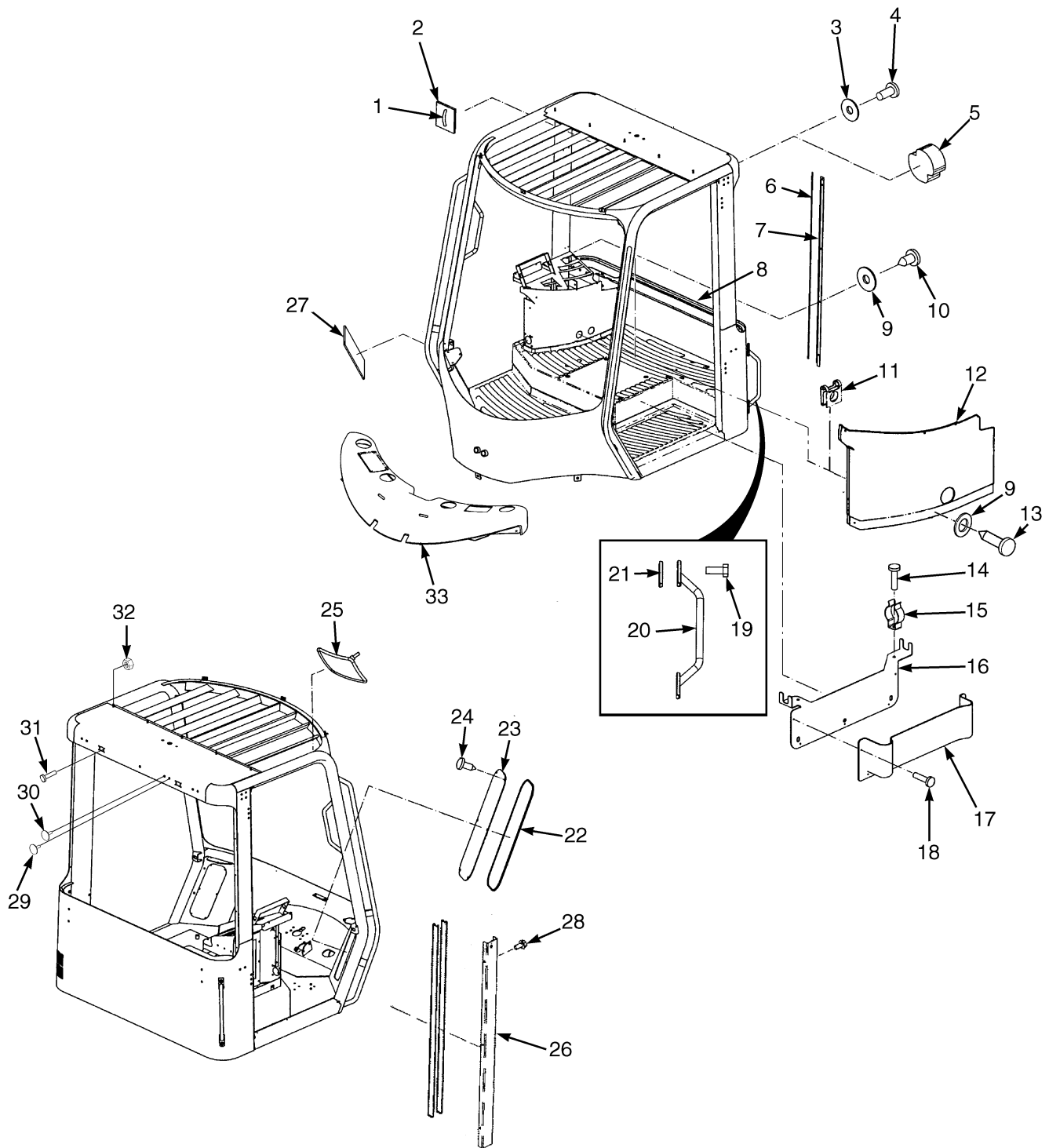


HP121220

**OVERHEAD GUARD  
WIRE MESH**

ITEM	PART NO.	DESCRIPTION	QTY
	582002101	Guard Assembly .....	1
1	582001923	Overhead Guard .....	1
2	580022780	Cap (Capscrew Head) .....	3
3	582001925	Nut .....	3
3	580060020	Nut (Alternate Part) .....	3
4	580025719	Washer .....	3
5	582001924	Insert (Threaded) .....	3

CAB ATTACHING PARTS (FIGURE 1-6)



HP121119



**Suggest:**

**For more complete manuals. Please go to the home page.**

**<https://www.ebooklibonline.com>**

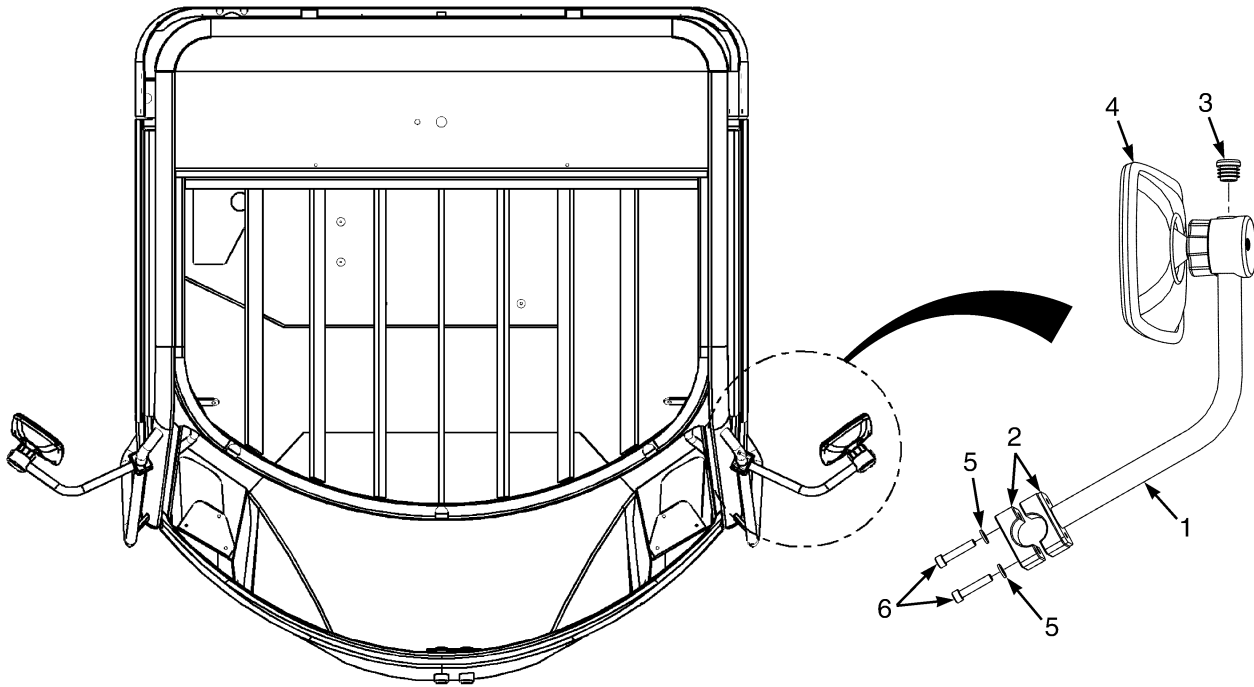
**If the above button click is invalid. Please download this document first, and then click the above link to download the complete manual.**

**Thank you so much for reading**

**CAB ATTACHING PARTS**

ITEM	PART NO.	DESCRIPTION	QTY
1	580014773	Clamp .....	1
2	580048511	Clip .....	1
3	580028805	Washer .....	8
4	580051692	Bolt .....	8
5	580048512	Seal .....	2
6	580022240	Trim-Bulk .....	1
7	580022239	Cover .....	1
8	580025717	Edge Protector .....	AR
9	580022214	Washer .....	6
10	580017273	Screw .....	5
11	580022213	Nut .....	1
12	580021409	Console (RH Internal) .....	1
12	580025753	Cover (Control Column) .....	1
13	580014813	Screw .....	1
14	580025738	Screw .....	2
15	580025737	Clip .....	2
16	580025736	Bracket (Cup And Clip Board Holder) .....	1
17	580022207	Holder (Cup And Clip Board) .....	1
18	580025735	Rivet .....	5
19	580051691	Screw .....	4
20	580025715	Handle Assembly (Rear) .....	2
20	449001013	Capscrew .....	4
20	504226242	Washer .....	4
20	580016589	Cover (Capscrew Head) .....	4
21	580025716	Pad .....	4
22	580025743	Seal .....	AR
23	580022254	Plate (Air Duct Cover) .....	2
24	580025744	Screw .....	12
25	580022736	Mirror (Interior) .....	2
26	580084057	Cover .....	1
27	580022824	Foam (LH) .....	1
27	580022825	Foam (RH) .....	1
28	580022236	Screw .....	16
29	580080535	Plug .....	1
30	580080534	Plug .....	1
31	580025738	Screw .....	8
32	937100903	Nut .....	8
33	580025741	Dash Panel .....	1
33	580014811	Washer (Plastic) .....	6
33	449001170	Capscrew .....	6
33	580016589	Cover (Capscrew Head) .....	6

EXTERIOR MIRRORS (FIGURE 1-7)



HP000936

ITEM	PART NO.	DESCRIPTION	QTY
1	580090646	Bracket Wldmt .....	2
2	580090647	Hose Clamp .....	2
3	580090648	End Plug .....	2
4	580090649	Mirror .....	2
5	449021003	Washer .....	4
6	580055864	Capscrew .....	4

**<https://www.ebooklibonline.com>**

Hello dear friend!

Thank you very much for reading.

Enter the link into your browser.

The full manual is available for immediate download.

**<https://www.ebooklibonline.com>**