

**Parts Manual**

**Catalogo Parti Ricambi**

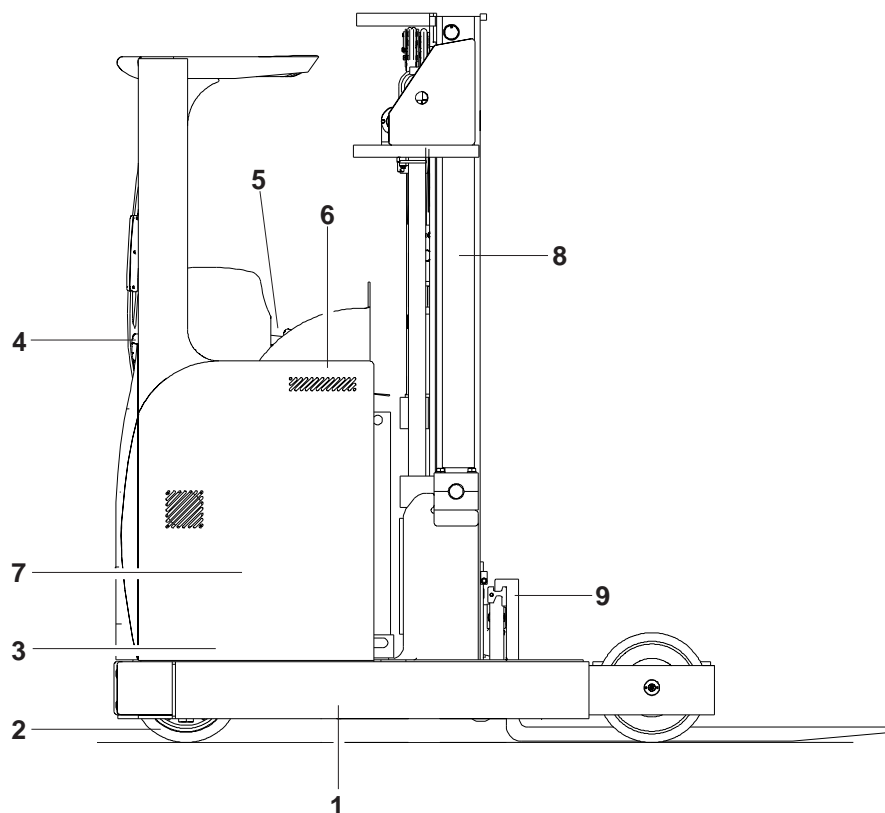
**Manuel des Pièces de Rechange**

**Ersatzteilkatalog**

**Manual de Repuestos**

**MR14 - MR14H  
MR16 - MR16H  
MR20 - MR20H - MR25  
MR16N - MR20W**





REF. DIVISION / SEZIONE / SECTION / SEKTION / DIVISIÓN	PAGE NO.
1 FRAME / TELAIO / CHÂSSIS / RAHMEN / BASTIDOR.....	9
2 DRIVE UNIT / GRUPPO TRAZIONE / GROUPE DE TRACTION / ZUGAGGREGAT / GRUPO DE TRACCION .....	37
3 BRAKES / IMPIANTO / FREINS / BREMSE / FRENOS .....	57
4 STEERING GROUP / GRUPPO STERZO / GROUPE DIRECTION / EINHEIT LENKUNG / GRUPO DIRECCIÓN .....	63
5 OPERATOR'S COMPARTMENT / CABINA / CABINE / KABINE / CABINA .....	71
6 ELECTRICAL ARRANGEMENT / IMPIANTO ELETTRONICO / INSTALLATION ÉLECTRONIQUE / ELEKTRONIK / INSTALACION ELECTRONICA .....	89
7 HYDRAULICS / GRUPPO SOLLEVAMENTO / GROUPE DE SOULEVEMENT / HEBE-GRUPPE / GRUPO ELEVACIÓN .....	101
8 MAST / MONTANTE / MONTANT / PFOSTEN / MONTANTE .....	219
9 FORKS / FORCHE / FOURCHES / GABELN / HORQUILLAS .....	259
DIAGRAMS / SCHEMI / SCHÉMA / SCHEMA / ESQUEMA .....	271
INDEX NUMERICAL / INDICE NUMERICO / INDEX NUMÉRIQUE / NUMERISCHINDEX / INDICE NUMÉRICO.....	316

DESCRIPTION / DESCRIZIONE / DESIGNATION / BENENNUNG / DENOMINACIONES	PAGE NO.
GENERAL TRUCK MR14-MR14H-MR16-MR16H-MR20-MR20H-MR25 / CARRELLO GENERALE MR14-MR14H-MR16-MR16H-MR20-MR20H-MR25 / CHARIOT GÉNÉRAL MR14-MR14H-MR16-MR16H-MR20-MR20H-MR25 / STAPLER-ALGEMEINE MR14-MR14H-MR16-MR16H-MR20-MR20H-MR25 / CARRETILLA GENERAL MR14-MR14H-MR16-MR16H-MR20-MR20H-MR25 (FIGURE 1-1A) .....	10-13
GENERAL TRUCK MR16N / CARRELLO GENERALE MR16N / CHARIOT GÉNÉRAL MR16N / STAPLER-ALGEMEINE MR16N / CARRETILLA GENERAL MR16N (FIGURE 1.1-1.1A) .....	14-17
GENERAL TRUCK MR20W / CARRELLO GENERALE MR20W / CHARIOT GÉNÉRAL MR20W / STAPLER-ALGEMEINE MR20W / CARRETILLA GENERAL MR20W (FIGURE 1.2-1.2A) .....	18-21
MAST TRAVEL TAB / CARRO TRASLATORE / CHARIOT DE TRANSFERT / VERSETZUNGSSCHLITTEN / CARRO TRANSLADOR (FIGURE 2-2A-2B) .....	22-27
CYLINDER MAST TRAVEL TAB / CILINDRO CARRO TRASLATORE / CYLINDRE CHARIOT DE TRANSFERT / ZYLINDER VERSETZUNGSSCHLITTEN / CILINDRO CARRO TRANSLADOR (FIGURE 3-3A) .....	28-31
LABELS / TARGHETTE E ADESIVI / AUTOCOLLANTS DE SIGNALISATION / SELBSTKLEBESCHILDER / TARJETAS ADHESIVAS (FIGURE 4-4A) .....	32-35
DRIVE UNIT MDU150 / GRUPPO TRAZIONE MDU150 / GROUPE DE TRACTION MDU150 / ZUGAGGREAGAT MDU150 / GRUPO DE TRACCION MDU150 (FIGURE 5-5A) .....	38-41
DRIVE UNIT MDU170 / GRUPPO TRAZIONE MDU170 / GROUPE DE TRACTION MDU170 / ZUGAGGREAGAT MDU170 / GRUPO DE TRACCION MDU170 (FIGURE 5.1-5.1A-5.1B) .....	42-47
DRIVE UNIT GK25 / GRUPPO TRAZIONE GK25 / GROUPE DE TRACTION GK25 / ZUGAGGREAGAT GK25 / GRUPO DE TRACCION GK25 (FIGURE 5.2) .....	48-49
DRIVE MOTOR / MOTORE DI TRAZIONE / MOTEUR DE TRACTION / ZUGMOTOR / MOTOR DE TRACCION (FIGURE 6-6A) .....	50-53
LOAD WHEELS / RUOTE DI CARICO / ROUES DE CHARGEMENT / BESCHICKUNGSRÄDER / RUEDAS DE CARGA (FIGURE 7) .....	54-55
BRAKES SYSTEM / IMPIANTO FRENI / INSTALLATION FREINS / BREMSEANLAGE / INSTALACION FRENOS (FIGURE 8-8A) .....	58-61
STEERING CONTROL UNIT / MOTORIDUTTORE STERZO / MOTOREDUCTEUR DIRECTION / ELEKTROMOTOR LENKUNG / MOTOR DIRECCION (FIGURE 9-9A-9B) .....	64-69
CONTROL PANEL / PANNELLO COMANDI / PANNEAU DE CONTRÔLE / STEUERTAFEL / TABLERO DE MANDO (FIGURE 10-11-11A) .....	70-77
RUDDER PEDALS ASS'Y / ASSIEME PEDALIERA / ENSEMBLE PÉDALIER / ACHSE DES FUBHEBELS / EJE PEDALES (FIGURE 12-12A) .....	78-81
SEAT / SEDILE / SIÈGE / SITZ / ASIENTO (FIGURE 13-13A-13B) .....	82-87
ELECTRICAL ARRANGEMENT (POWER CABLES) / IMPIANTO ELETTRONICO (CAVI DI POTENZA) / INSTALLATION ÉLECTRONIQUE (CABLES DE PUISSANCE) / ELEKTRONIK (LEISTUNGKABEL) / INSTALACION ELECTRONICA (CABLE DE POTENCIA) (FIGURE 14-14A) .....	90-93
ELECTRICAL ARRANGEMENT (SHEATH) / IMPIANTO ELETTRONICO (GUAINA) / INSTALLATION ÉLECTRONIQUE (GAINES) / ELEKTRONIK (MANTEL) / INSTALACION ELECTRONICA (VAINA) (FIGURE 15-15A) .....	94-97
CONNECTORS, CONTACTS, TOOLS / CONTATTI, CONNETTORI, UTENSILI / CONNECTEURS, CONTACTS, OUTILS / KONNEKTORS, KONTAKTS, WERKZEUG / CONTACTO, CONECTOR, UTENSILIO (FIGURE 16) .....	98-99
LIFTING UNIT / GRUPPO SOLLEVAMENTO / GROUPE DE SOULEVEMENT / HEBE-GRUPPE / GRUPO ELEVACIÓN (FIGURE 17) .....	102-105
LIFTING UNIT MAST "BETA" PROFILE 3STG (A708) / GRUPPO SOLLEVAMENTO MONTANTE PROFILO "BETA" 3STG (A708) / GROUPE DE SOULEVEMENT MONTANT "BETA" 3STG (A708) / HEBE-GRUPPE PFOSTEN "BETA" 3STG (A708) / GRUPO ELEVACIÓN MONTANTE "BETA" 3STG (A708) (FIGURE 18-18A-18B-18C-18D) .....	106-125
LIFTING UNIT MAST "HE140L" PROFILE 3STG (A709) / GRUPPO SOLLEVAMENTO MONTANTE PROFILO "HE140L" 3STG (A709) / GROUPE DE SOULEVEMENT MONTANT "HE140L" 3STG (A709) / HEBE-GRUPPE PFOSTEN "HE140L" 3STG (A709) / GRUPO ELEVACIÓN MONTANTE "HE140L" 3STG (A709) (FIGURE 18.1-18.1A-18.1B-18.1C) .....	126-149
LIFTING UNIT MAST "HE140" PROFILE 3STG (A709) / GRUPPO SOLLEVAMENTO MONTANTE PROFILO "HE140" 3STG (A709) / GROUPE DE SOULEVEMENT MONTANT "HE140" 3STG (A709) / HEBE-GRUPPE PFOSTEN "HE140" 3STG (A709) / GRUPO ELEVACIÓN MONTANTE "HE140" 3STG (A709) (FIGURE 18.2-18.2A-18.2B-18.2C) .....	150-179

**<https://www.ebooklibonline.com>**

Hello dear friend!

Thank you very much for reading.

Enter the link into your browser.

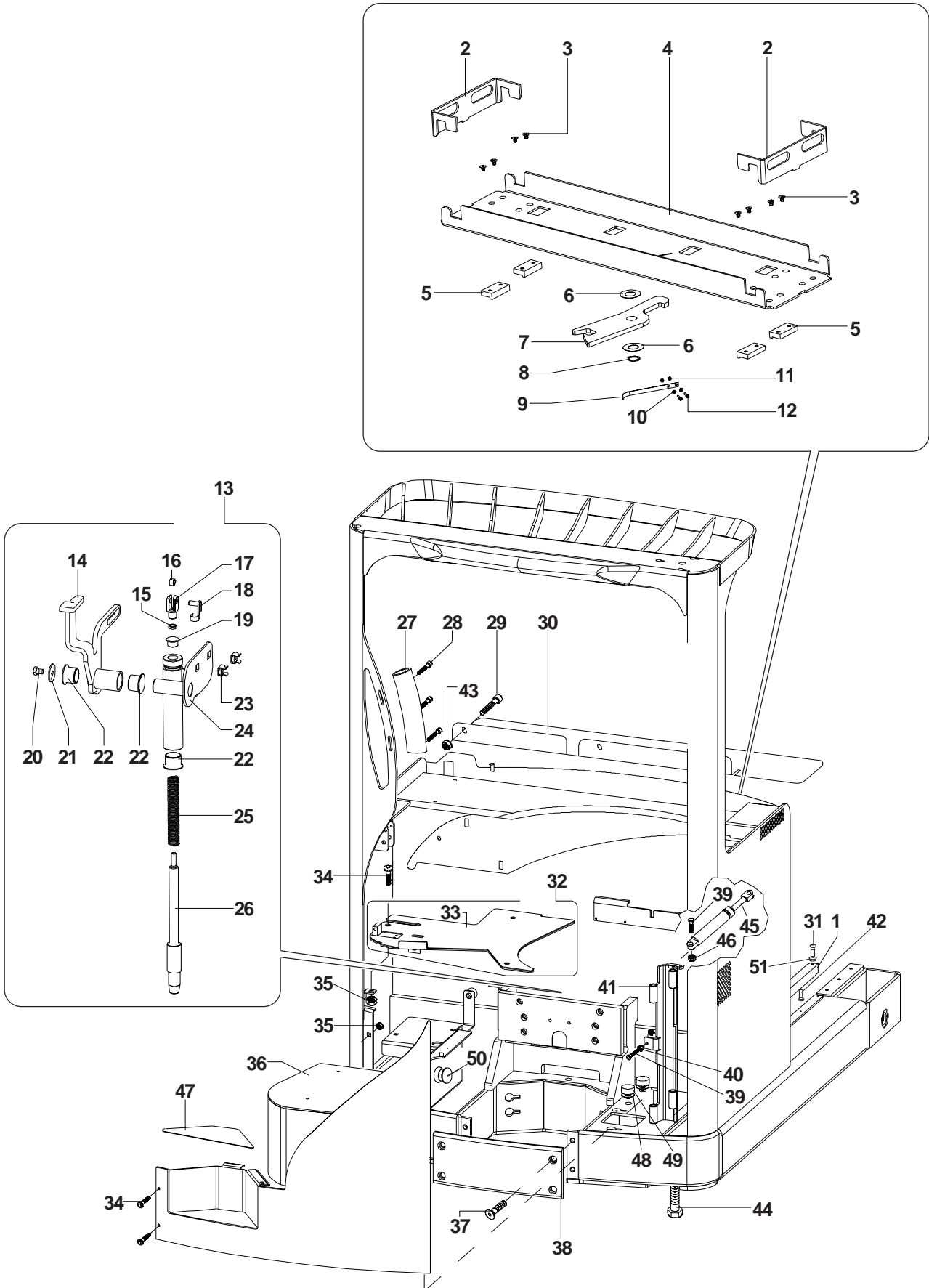
The full manual is available for immediate download.

**<https://www.ebooklibonline.com>**

DESCRIPTION / DESCRIZIONE / DESIGNATION / BENENNUNG / DENOMINACIONES	PAGE NO.
LIFTING UNIT MAST "HE140R" PROFILE 3STG (A709) / GRUPPO SOLLEVAMENTO MONTANTE PROFILO "HE140R" 3STG (A709) / GROUPE DE SOULEVEMENT MONTANT "HE140R" 3STG (A709) / HEBE-GRUPPE PFOSTEN "HE140R" 3STG (A709) / GRUPO ELEVACIÓN MONTANTE "HE140R" 3STG (A709) (FIGURE 18.3-18.3A-18.3B-18.3C) .....	180-211
SOLENOID VALVE / ELETTROVALVOLA / SOUPAPE ÉLECTRIQUE / ELEKTROVENTIL / ELECTROVÁLVULA (FIGURE 19) .....	212-213
LIFT MOTOR AND PUMP / MOTOPOMPA SOLLEVAMENTO / MOTOPOMPE SOULEVEMENT / MOTORPUMPE ZUR ANAEBUNG / MOTOBOMBA ELEVACIÓN (FIGURE 20-20A) .....	214-217
MAST "BETA" PROFILE 3STG (A708) / MONTANTE PROFILO "BETA" 3STG (A708) / MONTANT "BETA" 3STG (A708) / PFOSTEN "BETA" 3STG (A708) / MONTANTE "BETA" 3STG (A708) (FIGURE 21) .....	220-223
MAST "HE140L" PROFILE 3STG (A709) / MONTANTE PROFILO "HE140L" 3STG (A709) / MONTANT "HE140L" 3STG (A709) / PFOSTEN "HE140L" 3STG (A709) / MONTANTE "HE140L" 3STG (A709) (FIGURE 21.1) .....	224-227
MAST "HE140" PROFILE 3STG (A709) / MONTANTE PROFILO "HE140" 3STG (A709) / MONTANT "HE140" 3STG (A709) / PFOSTEN "HE140" 3STG (A709) / MONTANTE "HE140" 3STG (A709) (FIGURE 21.2) .....	228-231
MAST "HE140R" PROFILE 3STG (A709) / MONTANTE PROFILO "HE140R" 3STG (A709) / MONTANT "HE140R" 3STG (A709) / PFOSTEN "HE140R" 3STG (A709) / MONTANTE "HE140R" 3STG (A709) (FIGURE 21.3) .....	232-237
LIFT CYLINDERS MAST "BETA" PROFILE 3STG (A708) / CILINDRI SOLLEVAMENTO MONTANTE PROFILO "BETA" 3STG (A708) / CYLINDRE DE SOULEVEMENT MONTANT "BETA" 3STG (A708) / HUBZYLINDER PFOSTEN "BETA" 3STG (A708) / CILINDRO DE ELEVACIÓN MONTANTE "BETA" 3STG (A708) (FIGURE 22) .....	238-241
LIFT CYLINDERS MAST "HE140L" PROFILE 3STG (A709) / CILINDRI SOLLEVAMENTO MONTANTE PROFILO "HE140L" 3STG (A709) / CYLINDRE DE SOULEVEMENT MONTANT "HE140L" 3STG (A709) / HUBZYLINDER PFOSTEN "HE140L" 3STG (A709) / CILINDRO DE ELEVACIÓN MONTANTE "HE140L" 3STG (A709) (FIGURE 22.1) .....	242-245
LIFT CYLINDERS MAST "HE140" PROFILE 3STG (A709) / CILINDRI SOLLEVAMENTO MONTANTE PROFILO "HE140" 3STG (A709) / CYLINDRE DE SOULEVEMENT MONTANT "HE140" 3STG (A709) / HUBZYLINDER PFOSTEN "HE140" 3STG (A709) / CILINDRO DE ELEVACIÓN MONTANTE "HE140" 3STG (A709) (FIGURE 22.2) .....	246-251
LIFT CYLINDERS MAST "HE140R" PROFILE 3STG (A709) / CILINDRI SOLLEVAMENTO MONTANTE PROFILO "HE140R" 3STG (A709) / CYLINDRE DE SOULEVEMENT MONTANT "HE140R" 3STG (A709) / HUBZYLINDER PFOSTEN "HE140R" 3STG (A709) / CILINDRO DE ELEVACIÓN MONTANTE "HE140R" 3STG (A709) (FIGURE 22.3) .....	252-257
SIDESHIFT CARRIAGE for models with MAST "BETA" PROFILE 3STG ( A708 ) / PIASTRA PORTA FORCHE CON TRASLATORE per modelli con MONTANTE PROFILO "BETA" 3STG ( A708 ) / PLAQUE PORTE-FOURCHES AVEC TRANSLATEUR pour modèles avec MONTANT "BETA" 3STG ( A708 ) / GABELSEITESCHIEBEN für modell mit PFOSTEN "BETA" 3STG ( A708 ) / PLANCHA PORTE HORQUILLAS Y TRASLADOR para modelos con MONTANTE "BETA" 3STG ( A708 ) (FIGURE 23) .....	260-261
SIDESHIFT CARRIAGE for models with MAST "HE140L-HE140-HE140R" PROFILE 3STG ( A709 ) / PIASTRA PORTA FORCHE CON TRASLATORE per modelli con MONTANTE PROFILO "HE140L-HE140-HE140R" 3STG ( A709 ) / PLAQUE PORTE-FOURCHES AVEC TRANSLATEUR pour modèles avec MONTANT "HE140L-HE140-HE140R" 3STG ( A709 ) / GABELSEITESCHIEBEN für modell mit PFOSTEN "HE140L-HE140-HE140R" 3STG ( A709 ) / PLANCHA PORTE HORQUILLAS Y TRASLADOR para modelos con MONTANTE "HE140L-HE140-HE140R" 3STG ( A709 ) (FIGURE 23) .....	262-263
FORKS / FORCHE / FOURCHES / GABELN / HORQUILLAS (FIGURE 24-24A-24B) .....	264-269
HYDRAULIC DIAGRAM / SCHEMA OLEODINAMICO / SCHÉMA HYDRAULIQUE / HYDRAULIKSCHALTPLAN / ESQUEMA OLEODINAMICO (FIGURE 25).	272
HYDRAULIC DIAGRAM 5 WAYS GROUP (OPTIONS) / SCHEMA OLEODINAMICO GRUPPO 5 VIE (OPTIONAL) / SCHÉMA HYDRAULIQUE GROUPE 5 VOIE (OPTIONNEL) / HYDRAULIKSCHALTPLAN GRUPPE 5 WEG (WAHLFREI) / ESQUEMA OLEODINAMICO GRUPO 5 VÍA (OPCIONAL) (FIGURE 25.1) .....	273
ELECTRONIC DIAGRAM / SCHEMA ELETTRONICO / DIAGRAMME ÉLECTRONIQUE / ELEKTRONIKSCHALTPLAN / ESQUEMA ELECTRÓNICO (FIGURE 26 / 26.1 / 26.2 / 26.3 / 26.4 / 26.5 / 26.6 / 26.7 / 26.8 / 26.9 / 26.10 / 26.11 / 26.12 / 26.13 / 26A / 26.1A / 26.2A / 26.3A / 26.4A / 26.5A / 26.6A / 26.7A / 26.8A / 26.9A / 26.10A / 26.11A / 26.12A / 26.13A / 26.14 / 27 / 28 / 28.1 / 28.2 / 28A / 28.1A / 28.2A) .....	274-313
BEARINGS STAMP / STAMPIGLIATURA CUSCINETTI / SCHÉMA ROULEMENT / LAGERSTEMPEL / ESTAMPILLADO COJINETE .....	315
INDEX NUMERICAL / INDICE NUMERICO / INDEX NUMÉRIQUE / NUMERISCHINDEX / INDICE NUMÉRICO ELECTRÓNICO .....	316-337



DESCRIPTION / DESCRIZIONE / DESIGNATION / BENENNUNG / DENOMINACIONES	PAGE NO.
GENERAL TRUCK MR14-MR14H-MR16-MR16H-MR20-MR20H-MR25 / CARRELLO GENERALE MR14-MR14H-MR16-MR16H-MR20-MR20H-MR25 / CHARIOT GÉNÉRAL MR14-MR14H-MR16-MR16H-MR20-MR20H-MR25 / STAPLER-ALGEMEINE MR14-MR14H-MR16-MR16H-MR20-MR20H-MR25 / CARRETILLA GENERAL MR14-MR14H-MR16-MR16H-MR20-MR20H-MR25 (FIGURE 1-1A) .....	10-13
GENERAL TRUCK MR16N / CARRELLO GENERALE MR16N / CHARIOT GÉNÉRAL MR16N / STAPLER-ALGEMEINE MR16N / CARRETILLA GENERAL MR16N (FIGURE 1.1-1.1A) .....	14-17
GENERAL TRUCK MR20W / CARRELLO GENERALE MR20W / CHARIOT GÉNÉRAL MR20W / STAPLER-ALGEMEINE MR20W / CARRETILLA GENERAL MR20W (FIGURE 1.2-1.2A) .....	18-21
MAST TRAVEL TAB / CARRO TRASLATORE / CHARIOT DE TRANSFERT / VERSETZUNGSSCHLITTEN / CARRO TRANSLADOR (FIGURE 2-2A-2B) .....	22-27
CYLINDER MAST TRAVEL TAB / CILINDRO CARRO TRASLATORE / CYLINDRE CHARIOT DE TRANSFERT / ZYLINDER VERSETZUNGSSCHLITTEN / CILINDRO CARRO TRANSLADOR (FIGURE 3-3A) .....	28-31
LABELS / TARGHETTE E ADESIVI / AUTOCOLLANTS DE SIGNALISATION / SELBSTKLEBESCHILDER / TARJETAS ADHESIVAS (FIGURE 4-4A) .....	32-35





**Suggest:**

**For more complete manuals. Please go to the home page.**

**<https://www.ebooklibonline.com>**

**If the above button click is invalid. Please download this document first, and then click the above link to download the complete manual.**

**Thank you so much for reading**

REF.	PART	Q.T	DESCRIPTION	DESCRIZIONE	DESIGNATION	BENENNUNG	DENOMINACIONES	PART DETAILS
1	580029908	2	Plate	Piastra	Plaque	Platte	Plancha	
2	580027086	2	Bend plate	Fermo batteria	Arret de batterie	Batteriehalteteller	Retén de la batería	For battery mm1220x280
2	580027087	2	Bend plate	Fermo batteria	Arret de batterie	Batteriehalteteller	Retén de la batería	For battery mm1220x352
2	580027088	2	Bend plate	Fermo batteria	Arret de batterie	Batteriehalteteller	Retén de la batería	For battery mm1220x424
2	580027089	2	Bend plate	Fermo batteria	Arret de batterie	Batteriehalteteller	Retén de la batería	For battery mm1220x496
3	580028391	8	Screw	Vite	Vis	Schraube	Tomillo	
4	580027095	1	Battery support	Supporto batteria	Support batterie	Batterielager	Soporte batería	For battery mm1220x280
4	580027096	1	Battery support	Supporto batteria	Support batterie	Batterielager	Soporte batería	For battery mm1220x352
4	580027097	1	Battery support	Supporto batteria	Support batterie	Batterielager	Soporte batería	For battery mm1220x424
4	580027098	1	Battery support	Supporto batteria	Support batterie	Batterielager	Soporte batería	For battery mm1220x496
5	580027093	4	Slider	Pattino	Bloc de glissement	Gleitschuh	Patín	
6	273104600	2	Washer	Rosetta	Rondelle	Unterlegscheibe	Arandela	
7	580027091	1	Cam	Camma di sgancio	Camme	Kamm	Leva	For battery mm1220x280/352/424
7	580027092	1	Cam	Camma di sgancio	Camme	Kamm	Leva	For battery mm1220x496
8	273087300	1	Snap ring	Seeger	Seeger	Seeger	Anillo Seeger	
9	580027094	1	Spring	Molla	Ressort	Feder	Resorte	
10	449021002	4	Washer	Rosetta	Rondelle	Unterlegscheibe	Arandela	
11	449015112	2	Nut	Dado	Ecrou	Mutter	Tuerca	
12	504057775	2	Screw	Vite	Vis	Schraube	Tomillo	
13	580027404	1	Locking unlocking device ass'y	Ass. sgancio batteria	Ens. fixation batterie	Satz-Auslösevorrichtung	Grupo gancho	
14	580027406	1	Pedal	Pedale	Pedal	Fusshebel	Pedal	
15	58004592	1	Nut	Dado	Ecrou	Mutter	Tuerca	
16	580027408	1	Bushing	Boccola	Douille	Büchse	Buje	
17	272066800	1	Fork	Forcella	Eperon	Gabel	Horquilla	
18	272048700	1	Stop	Fermo	Arrêt	Halter	Sujetador	
19	580026041	1	Bushing	Boccola	Douille	Büchse	Buje	
20	449001091	1	Screw	Vite	Vis	Schraube	Tomillo	
21	277561900	1	Washer	Rosetta	Rondelle	Unterlegscheibe	Arandela	
22	580030013	3	Bushing	Boccola	Douille	Büchse	Buje	
23	580030159	2	Lock nut	Dado	Ecrou	Mutter	Tuerca	
24	580027407	1	Pedal bracket	Supporto pedale	Support pedal	Lager	Soporte pedal	
25	580027410	1	Spring	Molla	Ressort	Feder	Resorte	
26	580027405	1	Pin	Perno	Axe	Stift	Perno	
27	580027115	1	Hand grip	Maniglia	Poignée	Klinke	Manilla	
28	449007013	3	Screw	Vite	Vis	Schraube	Tomillo	
29	932200907	3	Screw	Vite	Vis	Schraube	Tomillo	
30	580027083	1	Cover	Coperchio batteria	Couvercle batterie	Batterieabdeckung	Tapa de la batería	For battery mm1220x352
30	580027082	1	Cover	Coperchio batteria	Couvercle batterie	Batterieabdeckung	Tapa de la batería	For battery mm1220x424
30	580027081	1	Cover	Coperchio batteria	Couvercle batterie	Batterieabdeckung	Tapa de la batería	For battery mm1220x496
31	580061201	2	Screw	Vite	Vis	Schraube	Tomillo	
32	580027874	1	Floor plate with rubber	Piastra con gomma	Plaque avec caoutchouc	Platte mit Gummi	Plancha y goma	
33	580027875	1	Rubber	Gomma	Caoutchouc	Gummi	Goma	
34	900014292	5	Screw	Vite	Vis	Schraube	Tomillo	
35	580015667	5	Nut	Dado	Ecrou	Mutter	Tuerca	
36	524149511	1	Door	Portina	Guichet	Tür	Portezuela	
37	272022800	4	Screw	Vite	Vis	Schraube	Tomillo	
38	580029909	1	Plate	Piastra	Plaque	Platte	Plancha	
39	449001134	3	Screw	Vite	Vis	Schraube	Tomillo	
40	449015014	2	Nut	Dado	Ecrou	Mutter	Tuerca	
41	580027369	1	Hinge	Cerniera	Charnière	Gelenk	Bisagra	
42	449001058	14	Screw	Vite	Vis	Schraube	Tomillo	
43	272342200	3	Nut	Dado	Ecrou	Mutter	Tuerca	
44	272506700	2	Screw	Vite	Vis	Schraube	Tomillo	
45	277257700	1	Gas spring	Asta a gas	Tige gaz	Gasschiene	Varilla del gas	
46	449015098	2	Nut	Dado	Ecrou	Mutter	Tuerca	
47	580029711	1	Rubber	Gomma	Caoutchouc	Gummi	Goma	
48	520045181	2	Washer	Rosetta	Rondelle	Unterlegscheibe	Arandela	
49	580013474	4	Cushion	Antivibrante	Antivibratoire	Erschütterungs-dämpfer	Antivibrante	
50	273059100	1	Cap	Tappo	Bouchon	Stopfen	Tapa	
51	449021010	2	Washer	Rosetta	Rondelle	Unterlegscheibe	Arandela	

From serial N° / Da matr. /  
Du matr. / Ab. seriennummer /  
Desde la matr. :

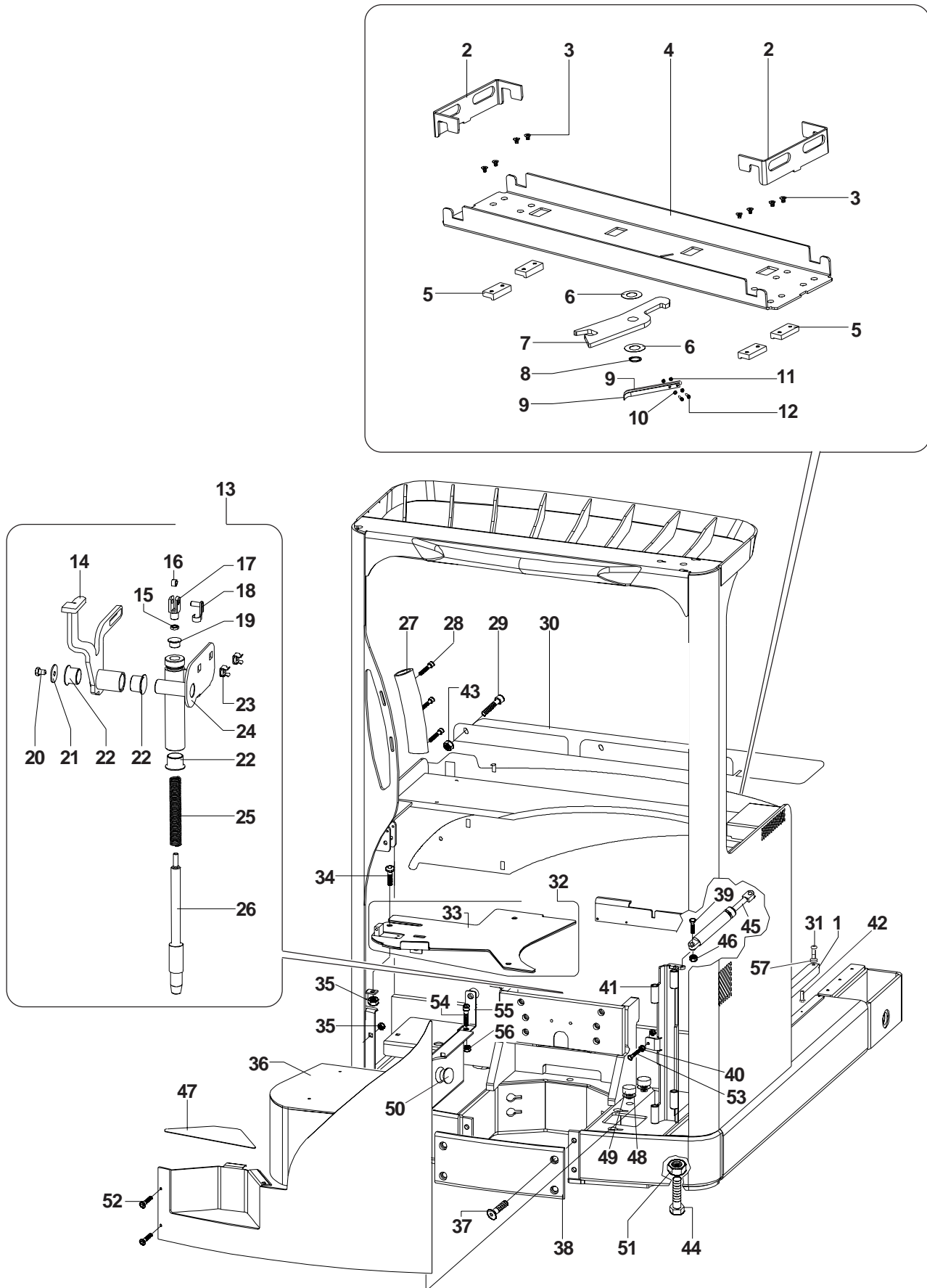
Until serial N° / Fino a matr. /  
Jusq' matr. / Bis zur serien-Nr. /  
Hasta la matr. :

With the exception of /  
Ad esclusione di / À l'exclusion de /  
Mit ausnahme von / Excepto :

Including / Compreso / Avec /  
Einschließlich / Con :

**C849T01501Z**

**C849T01647Z**



**<https://www.ebooklibonline.com>**

Hello dear friend!

Thank you very much for reading.

Enter the link into your browser.

The full manual is available for immediate download.

**<https://www.ebooklibonline.com>**