

Truck model / Carrello tipo / Chariot modele / Staplertyp / Tipo de carretilla
MP16 / MP18 / MP20

Part No: 5241171926 (09-2006)

From Serial No: C841X01501A

Parts Manual
Catalogo Parti Ricambi
Manuel des Pièces de Rechange
Ersatzteilkatalog
Manual de Repuestos

MP16-MP18
MP20



Specify the following information when ordering spare parts:

- **truck model;**
- truck serial number;
- **table N°;**
- *part number of required component;*
- **quantity;**
- *part description*

Per ordinare parti di ricambio specificare:

- **tipo della macchina;**
- *matricola della macchina;*
- **n° della tavola;**
- *numero di codice del particolare richiesto;*
- **quantità di particolari richiesti;**
- *denominazione del particolare richiesto.*

Pour les commander les pièces détachées veuillez préciser:

- **type machine;**
- *n° matricule;*
- **n° plan;**
- *n° code de la pièce;*
- **nombre de pièces;**
- *désignation de la pièce.*

Zum Bestellen von Ersatzteilen bitte folgende Angaben machen:

- **Staplertyp;**
- *Seriennummer der Maschine;*
- **Tafel-Nr.;**
- *Best. Nr. des erforderlichen Teils;*
- **Erforderliche Stückzahl;**
- *Bezeichnung des erforderlichen Teils.*

Para solicitar los repuestos especificar:

- **tipo de la máquina;**
- *matrícula de la máquina;*
- **n° de la máquina;**
- *número de código de la pieza solicitada;*
- **cantidad de piezas solicitadas;**
- *denominación de la pieza solicitada.*

PART SHEET INDEX - INDICE DELLE TAVOLE - INDEX DES TABLES - TAFELVERZEICHNIS - INDICE DE TABLAS	PAGE NO.
COVERS / CARTER / COUVERCLE / DECKEL / TAPAS (SHEET 1.A)	4
ADHESIVE LABELS / TARGHETTE ADESIVE / AUTOCOLLANTS DE SIGNALISATION / ABZ.-BILD / ADESIVOS DE AVISO (SHEET 2.A)	6-7
FRAME BATTERY VERTICAL REMOVAL / TELAIO BATTERIA ESTRAZIONE VERTICALE / CHASSIS BATTERIE VERTICAL EXTRACTION / BATTERIEWECHSEL KONVENTIONELLE BATTERIE ENDHAME / BASTIDOR BATERIA EXTRACCION VERTICAL (SHEET 3.A)	8-11
SUPPORTS AND CASTER WHEELS / SUPPORTI E RUOTE PIROETTANTI / SUPPORTS ET ATTELAGE / LAGERN UND RÄDER / SOPORTE Y RUEDAS (SHEET 4.A)	12-13
LOAD WHEELS / RUOTE DI CARICO / ATTELAGES / RÄDER / RUEDAS (SHEET 5.A)	14-15
TRACTION UNIT / GRUPPO TRAZIONE / GROUPE DE TRACTION / ZUGAGGREGAT / GRUPO DE TRACCION (SHEET 6.A).....	16-17
TRACTION MOTOR (MP16/MP18) / MOTORE TRAZIONE (MP16/MP18) / MOTEUR TRACTION (MP16/MP18) / ZUGMOTOR (MP16/MP18) / MOTORE DE TRACCION (MP16/MP18)(SHEET 7.A)	18
TRACTION MOTOR (MP20) / MOTORE TRAZIONE (MP20) / MOTEUR TRACTION (MP20) / ZUGMOTOR (MP20) / MOTORE DE TRACCION (MP20)(SHEET 8.A)	19
MAGNETIC BRAKE / FRENO ELETTROMAGNETICO / FREIN ELETTROMAGN. / ELEKT ROMAGN. BREMSE / FRENO ELECTROM. (SHEET 9.A)	20
HYDRAULIC SYSTEM / IMPIANTO IDRAULICO / INSTALLATION HYDRAULIQUE / HYDRAULIKANLAGE / INSTALLACION HIDRAULICA (SHEET 10.A)	21
DRAWBAR CONTROL BOX / TIMONE SCATOLA COMANDI / BARRE BOITE DE COMMANDE / DEICHSEL STEUERUNGSBUCHSE (SHEET 11.A-11.B-11.C)	22-27

PART SHEET INDEX - INDICE DELLE TAVOLE - INDEX DES TABLES - TAFELVERZEICHNIS - INDICE DE TABLAS	PAGE NO.
DISTRIBUTOR / CENTRALINA IDRAULICA / DISTRIBUTEUR / STEUERUNG / DISTRIBUIDOR (SHEET 12.A)	28-29
BATTERY CHARGER (MP16) / CARICA BATTERIA (MP16) / CHARGUER (MP16) / AULFLADERÄT (MP16) / CARGADOR DE BATERIAS (MP16) (SHEET 13.A).....	30
BATTERY CHARGER (MP18/MP20) / CARICA BATTERIA (MP18/MP20) / CHARGUER (MP18/MP20) / AULFLADERÄT (MP18/MP20) / CARGADOR DE BATERIAS (MP18/MP20) (SHEET 14.A).....	31
ELECTRICAL DIAGRAM (MP16 STD & COLD STORE) / SCHEMA ELETTRICO (MP16 STD & COLD STORE) / SCHEMA ELECTRIQUE (MP16 STD & COLD STORE) / SCHALTPLAN (MP16 STD & COLD STORE) / ESQUEMA ELECTRICO (MP16 STD & COLD STORE) (SHEET 15.A).....	32
ELECTRICAL DIAGRAM (MP18 STD & COLD STORE /MP20 STD) / SCHEMA ELETTRICO (MP18 STD & COLD STORE /MP20 STD) / SCHEMA ELECTRIQUE (MP18 STD & COLD STORE/MP20 STD) / SCHALTPLAN (MP18 STD & COLD STORE/MP20 STD) / ESQUEMA ELECTRICO (MP18 STD & COLD STORE/MP20 STD) (SHEET 16.A).....	33
ELECTRICAL DIAGRAM (MP20 COLD STORE) / SCHEMA ELETTRICO (MP20 COLD STORE) / SCHEMA ELECTRIQUE (MP20 COLD STORE) / SCHALTPLAN (MP20 COLD STORE) / ESQUEMA ELECTRICO (MP20 COLD STORE) (SHEET 16/1.A).....	34
WIRING DIAGRAMS (MP16/MP18/MP20) / SCHEMI COLLEGAMENTI CAVI POTENZA (MP16/MP18/MP20) / DIAGRAMMA LIAISON CABLE ELECTRIQUE (MP16/MP18/MP20) / ELEKTRTSCHUANLAGEPLAN (MP16/MP18/MP20) / ESQUEMAS CONEXION CABLE POTENCIA (MP16/MP18/MP20) (SHEET 17.A-18.A-18/1.A-18/2.A)	35-38
SHEATH DIAGRAMS / SCHEMI COLLEGAMENTI GUAINA / DIAGRAMME LIAISON GAINES / MONTELANLAGEPLAN / ESQUEMAS CONEXION VAINA (SHEET 19.A - 20.A - 21.A - 21/1.A - 21/2.A).....	39-43
CONSOLE ADAPTER / ADATTATORE PER CONSOLLE / ADAPTATEUR POUR CONSOLE / ADAPTER FÜR KONSOLLE / ADAPTADOR POR CONSOLA (SHEET 22.A)	44
CONNECTORS, CONTACTS, TOOLS / CONTATTI, CONNETTORI, UTENSILI / CONNECTEURS, CONTACTS, OUTILS / KONNEKTORS, KONTAKTS, WERKZEUG / CONTACTO, CONECTOR, UTENSILIO (SHEET 23.A)	46-47
HYDRAULIC DIAGRAM / SCHEMA IDRAULICO / SCHEMA HYDRAULIQUE / HYDRAULIKPLAN / ESQUEMA HIDRAULICO (SHEET24.A).....	48
ELECTRIC HORN / CLACKSON MAGGIORATO / KLAXON MAJORE / VERSTAERKTE HUPE/ AVISADOR ACUSTICO AUMENTADO (SHEET 25.A).....	49
LED INDICATOR HARNESS / INDICATORE LED CARICA BATTERIA / INDICATEUR LED DE CHARGE BATTERIE / LED-ANZEIGER FUER BATTERIELADUNG / INDICADOR LED CARGA BATERIA (SHEET 26.A).....	50
NUMERICAL INDEX / INDICE NUMERICO / INDEX GENERAL / ALGEMEINER INDEX / INDICE GENERAL.....	52-53

<https://www.ebooklibonline.com>

Hello dear friend!

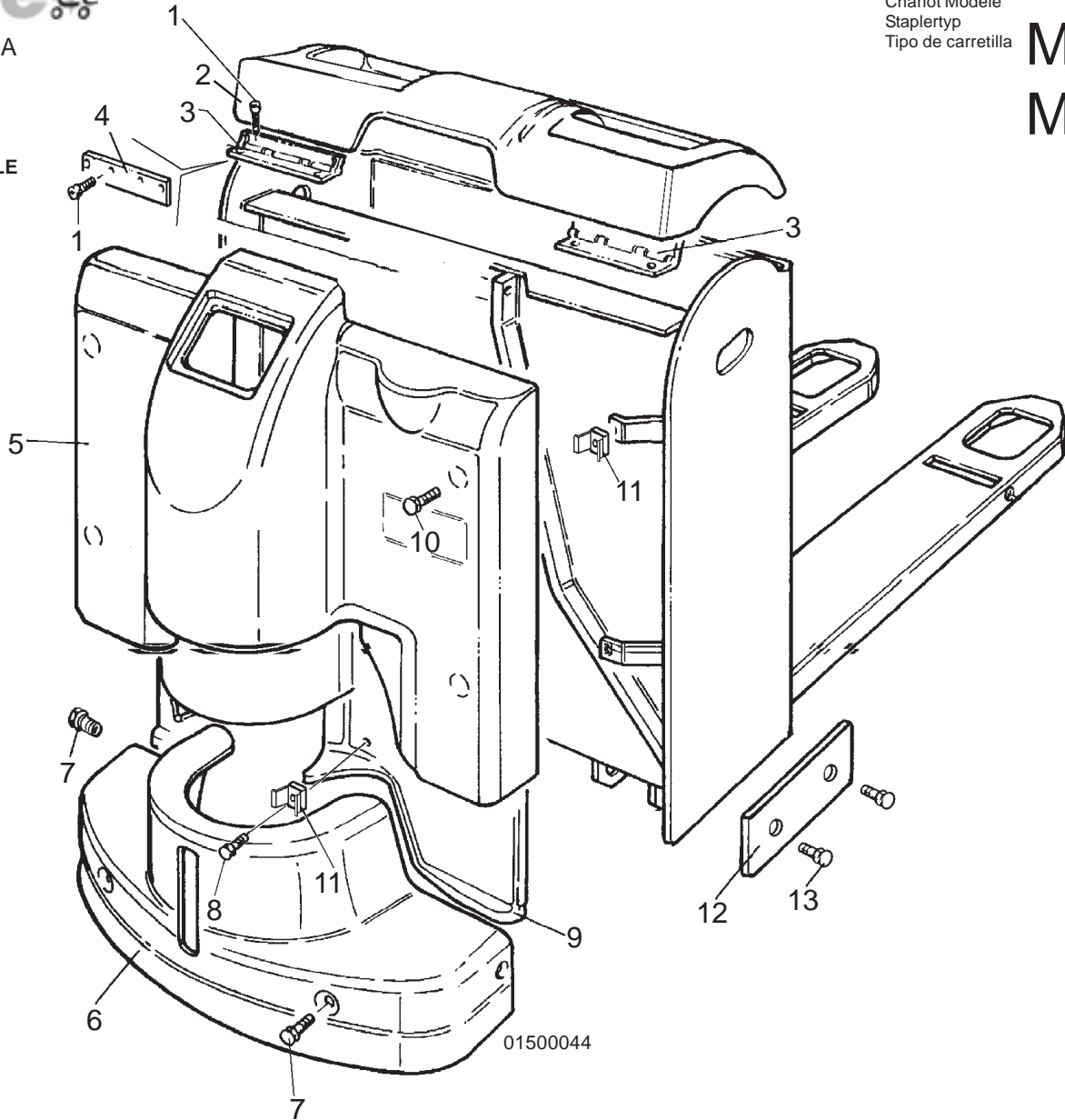
Thank you very much for reading.

Enter the link into your browser.

The full manual is available for immediate download.

<https://www.ebooklibonline.com>

COVERS
CARTER
COUVERCLE
DECKEL
TAPAS



01500044

REF	PART N°	Qt.	DESCRIPTION	DESCRIZIONE	DESIGNATION	BENENNUNG	DENOMINACIONES
1	580013990	20	Screw	Vite	Vis	Schraube	Tornillo
2	580021944	1	Battery cover	Coperchio batteria	Couv ercle	Deckel	Tapa
2	580041285	1	Battery cover (Steel)	Coperchio batteria (acciaio)	Couv ercle	Deckel	Tapa
3	272337900	2	Hinge	Cerniera	Charniere	Scharnier	Charnela
4	272338200	2	Plate	Piastrino	Plaque	Platte	Placa
5	524160078	1	Cover (MP16)	Carter	Couv ercle	Deckel	Tapa
5	524160020	1	Cover (MP18-MP20)	Carter	Couv ercle	Deckel	Tapa
6	524160021	1	Cover (MP16)	Carter inferiore	Couv ercle	Deckel	Tapa
6	524167780	1	Cover (MP16) Opt.	Carter inferiore Opt.	Couv ercle	Deckel	Tapa Opc.
6	524167780	1	Cover (MP18-MP20)	Carter inferiore	Couv ercle	Deckel	Tapa
7	900014291	4	Screw	Vite	Vis	Schraube	Tornillo
8	580023068	2	Screw	Vite	Vis	Schraube	Tornillo
9	580033475	1	Cover	Carter interno	Couv ercle	Deckel	Tapa
10	900014292	4	Screw	Vite	Vis	Schraube	Tornillo
11	580015667	6	Locking nut	Dado in gabbia	Ecrou	Mutter	Tuerca
12	580041287	2	Guard	Protezione	Protection	Shutz	Defensa
13	580006788	4	Screw	Vite	Vis	Schraube	Tornillo

Da matr. / Du matr. / Ab. seriennummer
From serial N° / Desde la matr.:

Fino a matr. / Jusqu' matr. / Bis zur serien-Nr.
Until serial N° / Hasta la matr.:

Ad esclusione di / À l'exclusion de
Mit ausnahme von / With the exception of / Excepto:

Compreso / Avec / Einschließlich
Including / Con:

C841X01501A



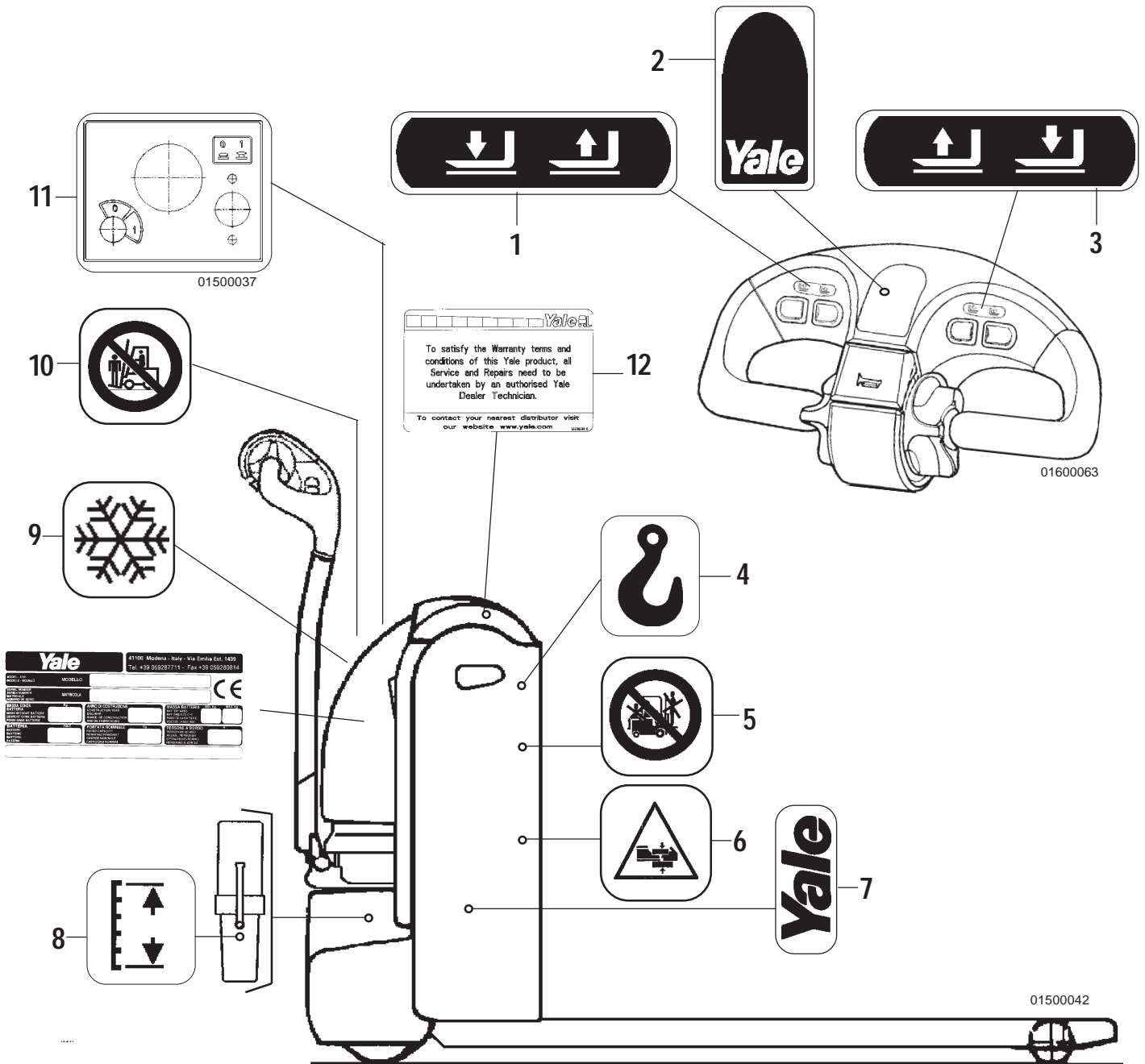
Suggest:

For more complete manuals. Please go to the home page.

<https://www.ebooklibonline.com>

If the above button click is invalid. Please download this document first, and then click the above link to download the complete manual.

Thank you so much for reading



Da matr. / Du matr. / Ab. seriennummer
From serial N° / Desde la matr.:

Fino a matr. / Jusqu' matr. / Bis zur serien-Nr.
Until serial N° / Hasta la matr.:

Ad esclusione di / À l'exclusion de
Mit ausnahme von / With the exception of / Excepto:

Compreso / Avec / Einschließlich
Including / Con:

--	--	--	--

<https://www.ebooklibonline.com>

Hello dear friend!

Thank you very much for reading.

Enter the link into your browser.

The full manual is available for immediate download.

<https://www.ebooklibonline.com>