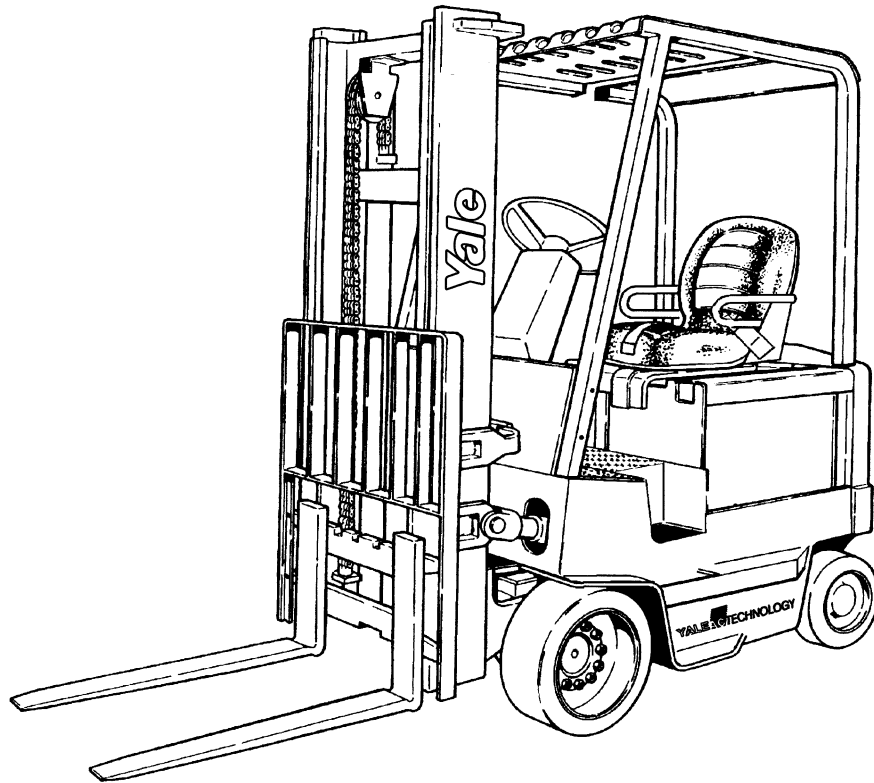


ERC35HG, ERC40HG, ERC45HG,ERC55HG

(B839)



1	GENERAL TRUCK
2	ELECTRICAL SYSTEM
3	DRIVE UNIT
4	STEERING SYSTEM
5	BRAKE SYSTEM
6	HYDRAULIC SYSTEM
7	MAST-TWO STAGE LIMITED FREE-LIFT
8	MAST-THREE STAGE FULL FREE-LIFT
9	MAST-TWO STAGE FULL FREE-LIFT
10	HEADER HOSE GROUP
11	FORKS, LOAD BACKREST, AND MAST INSTALLATION
12	OPTIONS
13	NUMERICAL INDEX

**SECTION 1
GENERAL TRUCK**

DESCRIPTION	PAGE
BATTERY SPACER	1.20
COUNTERWEIGHT	1.4
FLOOR PLATES AND COVERS	1.8
FULL SUSPENSION SEAT	
SHEET 1 OF 2	1.14
SHEET 2 OF 2	1.16
HOOD	1.10
LABELS	1.2
NON SUSPENSION SEAT	1.12
OVERHEAD GUARD	
WITH CURVED LEG	1.6
WITH STRAIGHT LEG	1.18

<https://www.ebooklibonline.com>

Hello dear friend!

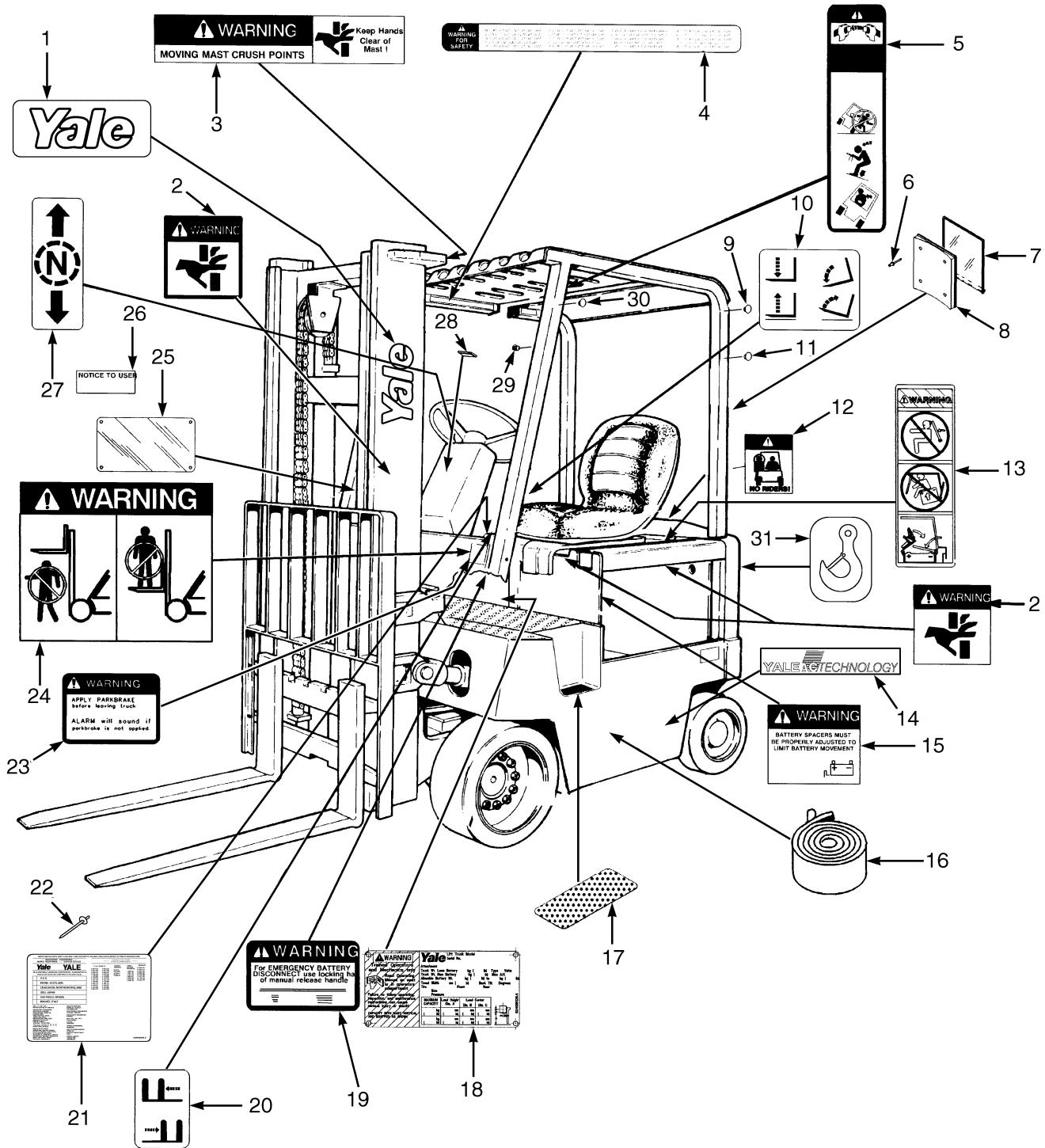
Thank you very much for reading.

Enter the link into your browser.

The full manual is available for immediate download.

<https://www.ebooklibonline.com>

LABELS

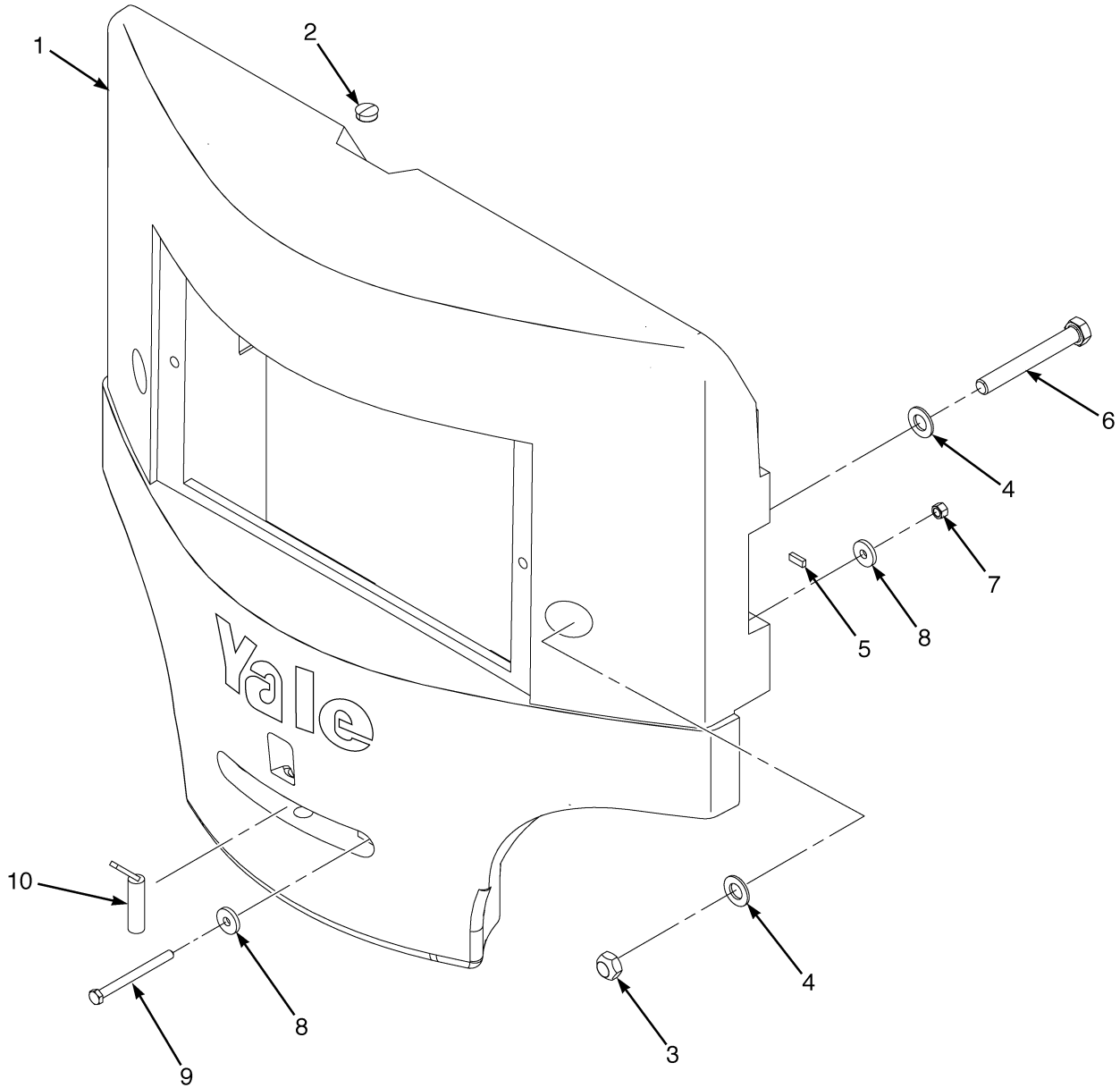


ITEM	PART NO.	DESCRIPTION	QTY
1	524208881	Label (Yale).....	2
2	505974557	Label (Pinch Point)	3
3	504238219	Label (Mast Warning)	1
4	518805660	Label (Operator Warning).....	1
5	505973524	Label (Operator Restraint).....	2
6	501904909	Rivet	4
7	519996803	Cover	1
8	519996801	Base	1
9	504225200	Plug	1
10	504231276	Label (Lift/Tilt).....	1
11	504241782	Plug	10
12	505972566	Label (No Riders)	2
13	580033435	Label (Battery Restraint)	2
14	524188468	Label (AC Technology)	1
15	518797644	Label (Battery Spacer)	1
16	504231231	Strip.....	AR
17	580011260	Pad	2
18	505890500	Label (Patents and Trademarks)	1
19	580033434	Label (Battery Disconnect).....	1
20	504231256	Label (Auxiliary Function - Side-Shift)	1
21	a	Capacity Plate	1
22	505976530	Rivet	4
23	519432675	Label (Parking Brake Warning).....	1
24	505972545	Label (Mast Warning)	2
25	580008064	Cover	1
26	580020205	Nameplate (Blank).....	1
27	504231275	Label (Forward/Reverse)	1
28	504225252	Plug	1
29	580023057	Plug	2
30	504241783	Plug	10
31	505974597	Label (Lifting Eye).....	1

FOOTNOTES:

a Contact Your Local Yale Dealer

COUNTERWEIGHT



YP260217



COUNTERWEIGHT

KEY:

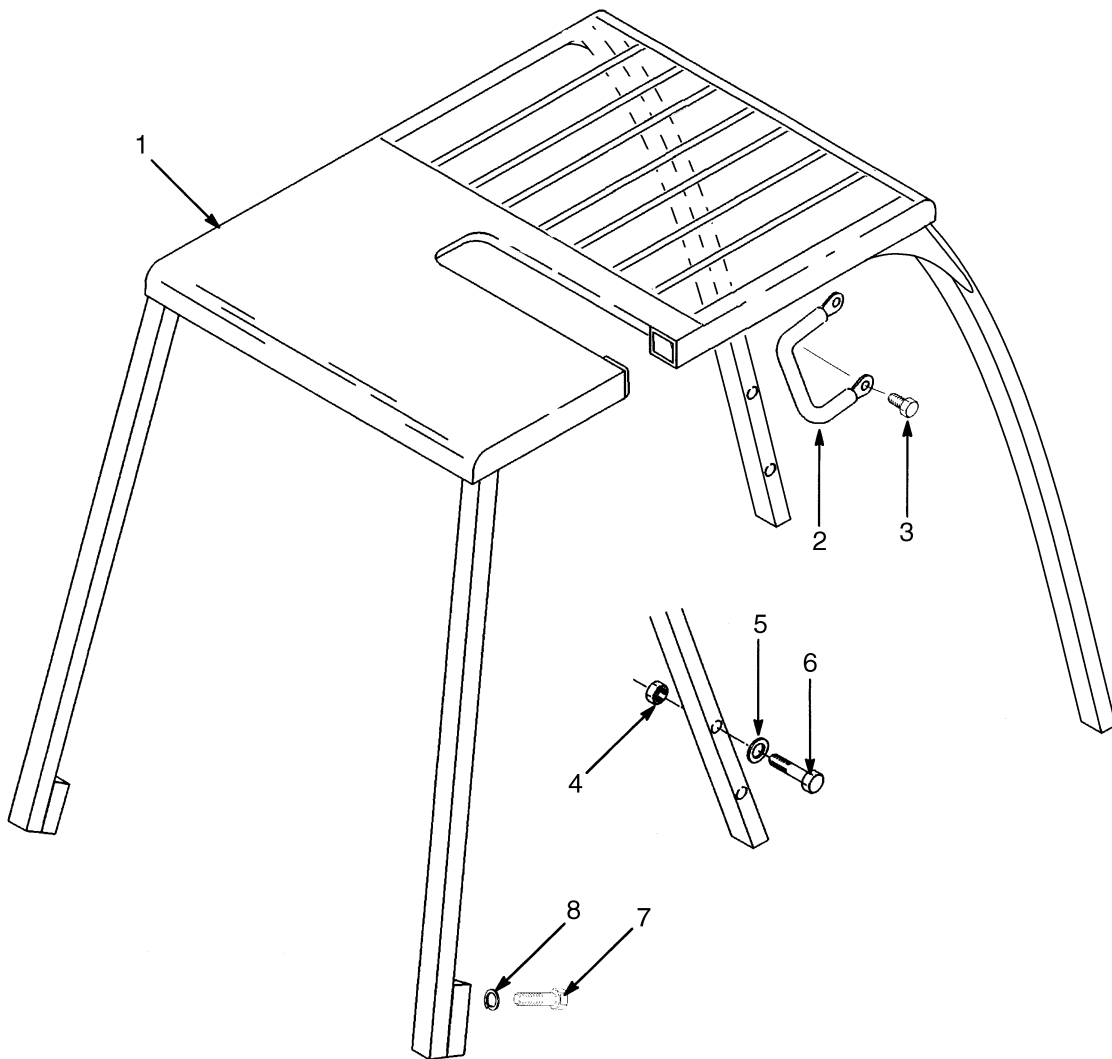
A: ERC35HG

B: ERC40-45HG (Long Wheel Base)

C: ERC55HG(Short Wheel Base)

ITEM	PART NO.	DESCRIPTION	QTY		
			A	B	C
1	524208970	Counterweight	1
1	524208971	Counterweight	1	..
1	524208972	Counterweight	1
2	520040856	Plug	1	1	1
3	580000236	Nut.....	2	2	2
4	061278500	Washer	4	4	4
5	504224270	Tape.....	AR	AR	AR
6	520053875	Capscrew.....	2	2	2
7	909882405	Locknut.....	2	2	2
8	505970501	Washer	4	4	4
9	449001313	Capscrew.....	2	2	2
10	504224291	Tow Pin.....	1	1	1

OVERHEAD GUARD (WITH CURVED LEG)





**OVERHEAD GUARD
(WITH CURVED LEG)**

KEY:

A: ERC35-40HG

B: ERC45-55HG

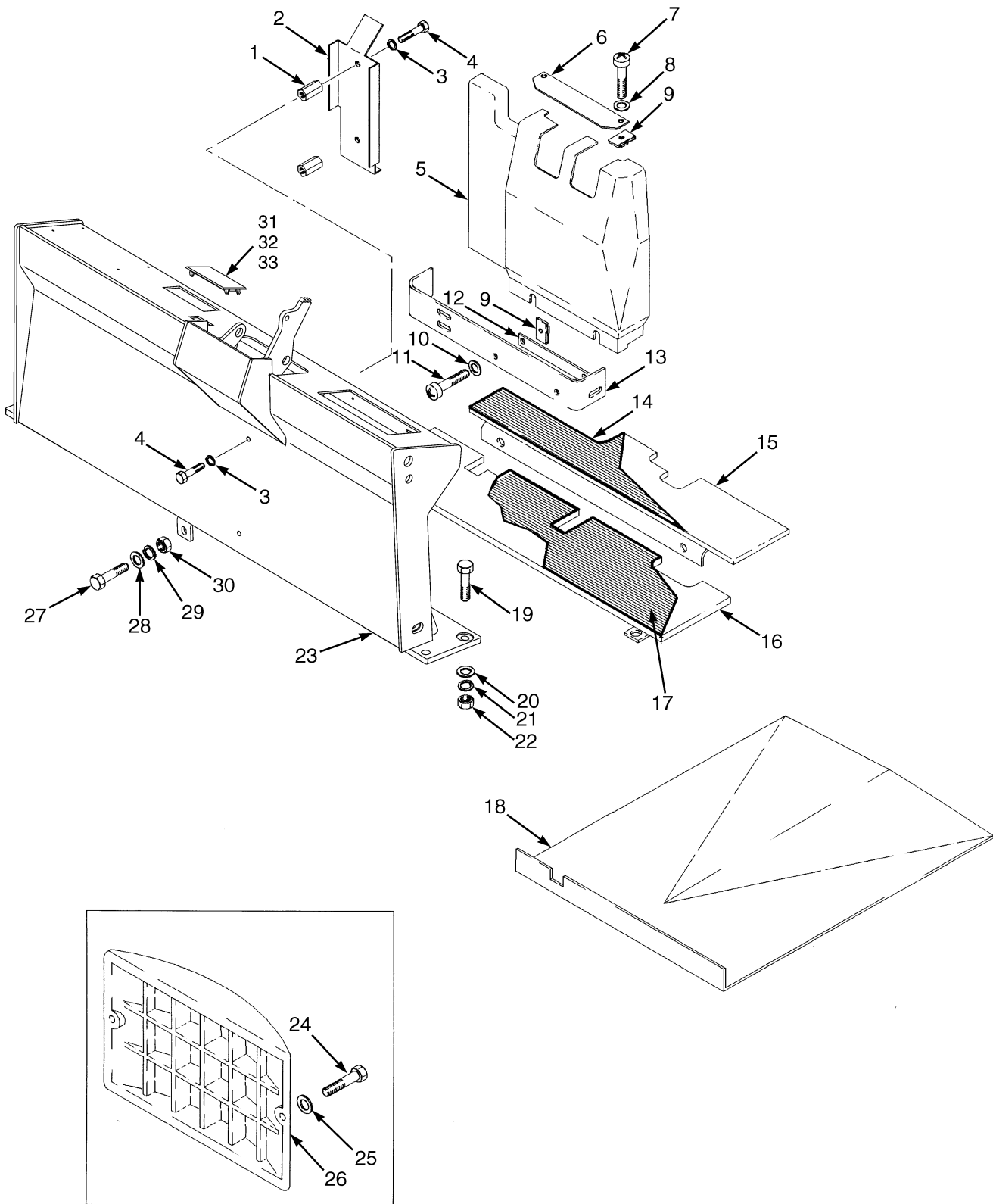
ITEM	PART NO.	DESCRIPTION	QTY	
			A	B
1	a 580053011	Overhead Guard.....	1	..
1	a 580053012	Overhead Guard.....	..	1
1	b 580053015	Overhead Guard.....	1	..
1	b 580053016	Overhead Guard.....	..	1
2	580056526	Handle (Grab).....	1	1
3	504060774	Screw.....	2	2
4	502097905	Nut.....	4	4
5	016110000	Washer.....	8	8
6	020788000	Capscrew.....	4	4
7	501725901	Capscrew.....	4	4
8	449022017	Lockwasher.....	4	4

FOOTNOTES:

a Grid Type

b PlateType

FLOOR PLATES AND COVERS





FLOOR PLATES AND COVERS

KEY:

A: ERC35-40HG

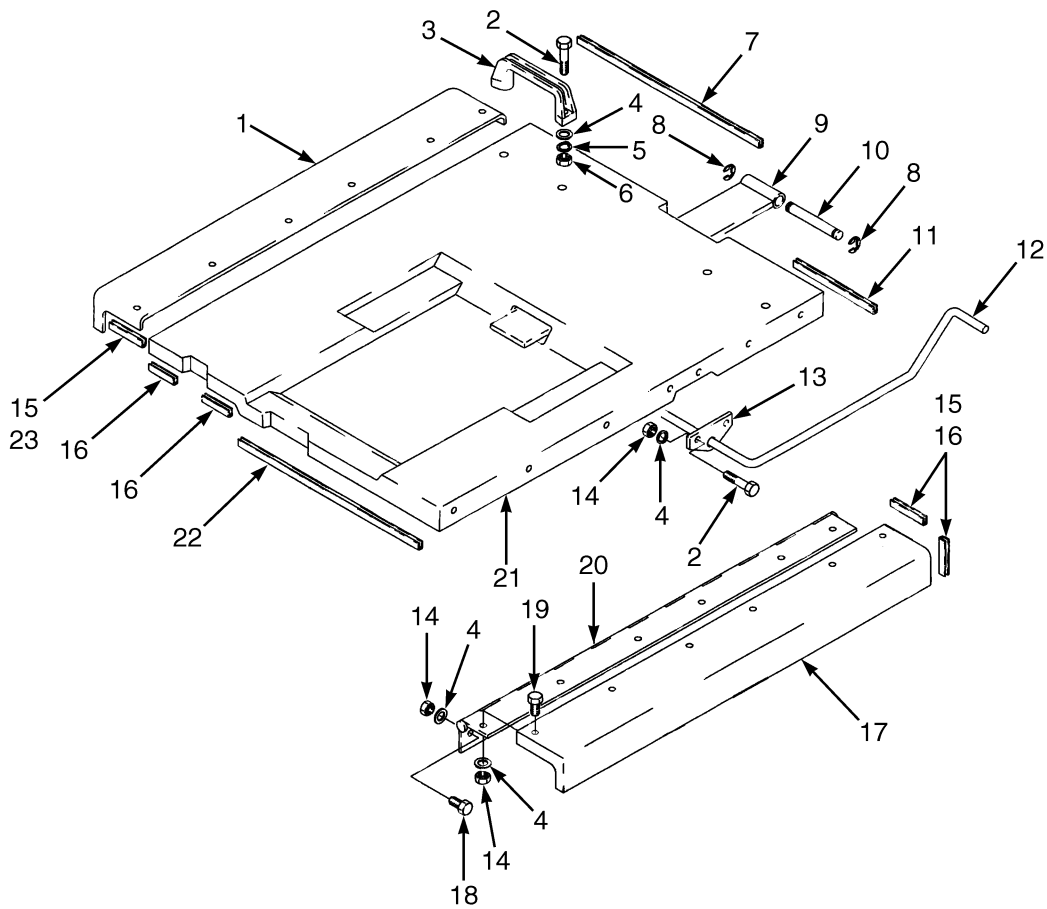
B: ERC45-55HG

ITEM	PART NO.	DESCRIPTION	QTY	
			A	B
1	504225221	Standoff	2	2
2	580053040	Cover	1	1
3	015026000	Lockwasher	4	4
4	520051894	Capscrew.....	4	4
5	520045703	Cover	1	1
6	520045707	Plate	1	1
7	449007048	Screw.....	6	6
8	449021003	Washer	6	6
9	505972586	Nut (Foldover).....	6	6
10	449021003	Washer	6	6
11	449007048	Screw.....	6	6
12	504225237	Plate	1	1
13	520045706	Plate	1	1
14	524138293	Floor mat (Rear)	1	1
15	524138290	Floor plate (Rear)	1	1
16	524138291	Floor plate (Front).....	1	1
17	524138294	Floor mat (Front).....	1	1
18	580011597	Cover	1	..
18	580011598	Cover	1
19	147246000	Capscrew.....	8	8
20	061278200	Washer	8	8
21	015026600	Lockwasher	8	8
22	520051895	Nut	8	8
23	524218560	Cowl.....	1	1
24	055486800	Capscrew.....	2	2
25	061278000	Washer	2	2
26	520045701	Cover	1	1
27	449001302	Capscrew.....	1	1
28	449021006	Washer	2	2
29	449022013	Lockwasher	1	1
30	449015044	Nut	1	1
31	520041892	Mounting Panel.....	1	1
32	520041817	Mounting Panel.....	1	1
33	520051863	Clip	1	1
	a 504225252	Plug	1	1

FOOTNOTES:

a Not Illustrated

HOOD



HP120820



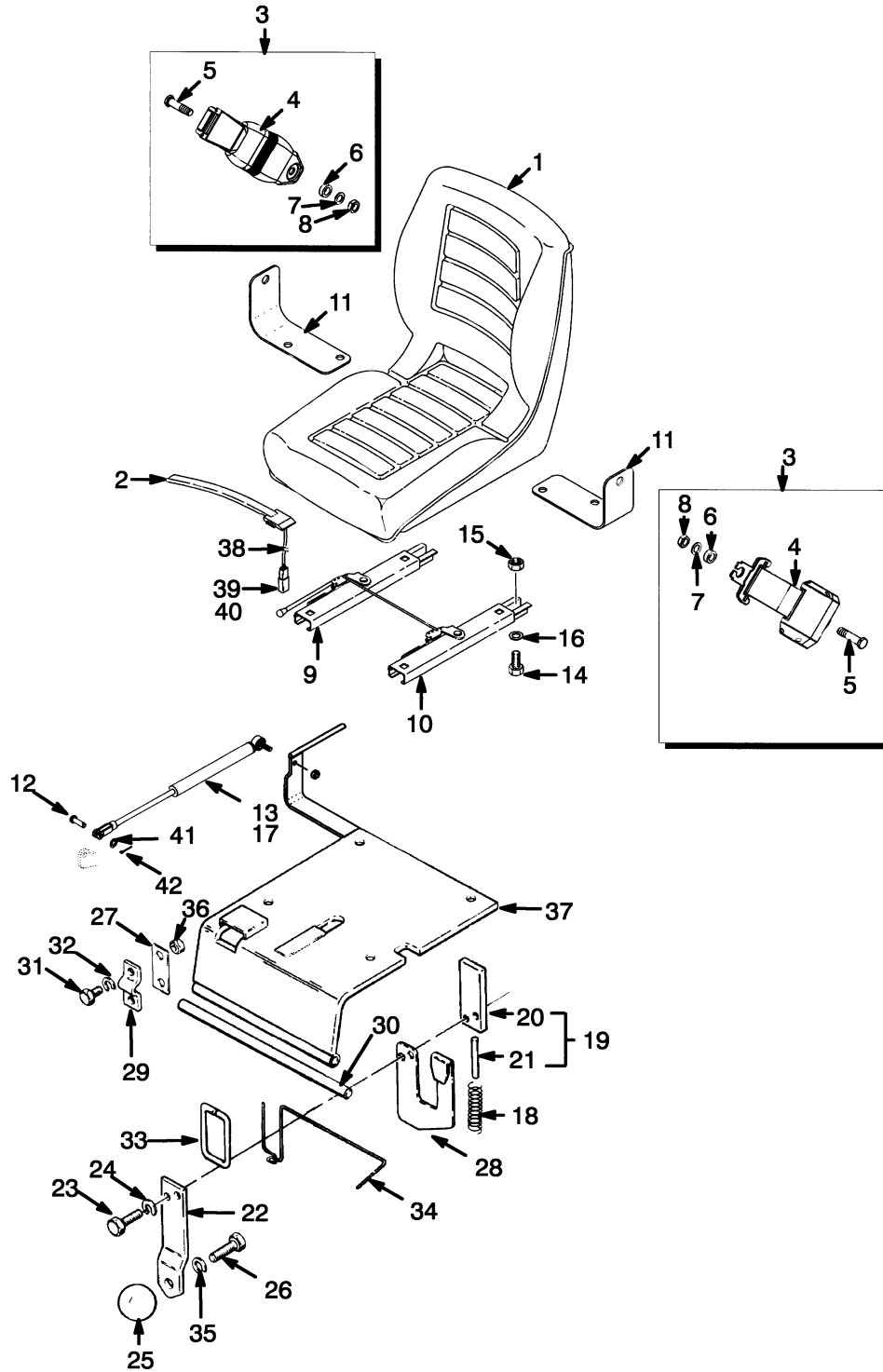
KEY:

A: ERC35-40HG

B: ERC45-55HG

ITEM	PART NO.	DESCRIPTION	QTY	
			A	B
1	524138235	Hood (Wing RH)	1	..
1	524138236	Hood (Wing RH)	1
2	449001121	Capscrew.....	8	8
3	504235245	Handle	2	2
4	449021003	Washer	30	30
5	449022018	Lockwasher	4	4
6	449015002	Nut	4	4
7	520045888	Trim.....	1	1
8	023338500	Retaining Ring.....	2	2
9	520045582	Plate	1	..
9	520045584	Plate	1
10	520045583	Pin	1	1
11	520045887	Trim.....	1	1
12	520045885	Hinge	1	1
13	520045886	Bracket	2	2
14	504231270	Nut.....	26	26
15	520045891	Adhesive.....	AR	AR
16	520045889	Trim.....	4	4
17	524138233	Hood (Wing LH).....	1	..
17	524138234	Hood (Wing LH).....	..	1
18	449001412	Capscrew.....	10	10
19	504235265	Capscrew.....	12	12
20	580010764	Hinge	2	..
20	580010765	Hinge	2
21	524138222	Hood.....	1	..
21	524138223	Hood.....	..	1
22	504235236	Trim.....	1	1
23	520045890	Trim.....	2	2

NON SUSPENSION SEAT



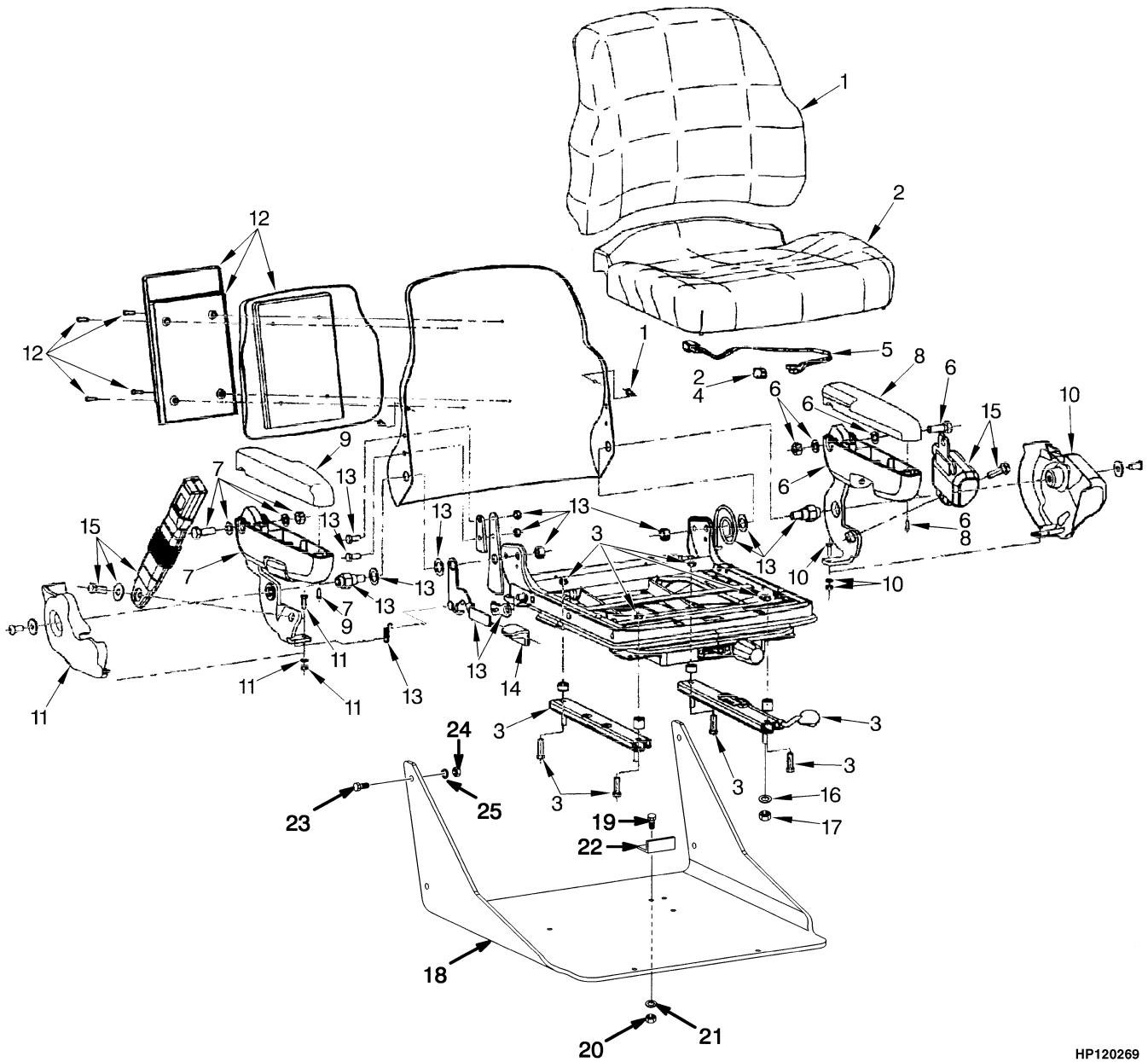
HP120187



NON SUSPENSION SEAT

ITEM	PART NO.	DESCRIPTION	QTY
	580008424	Non-Suspension Seat.....	1
1	504232248	Seat.....	1
2	504305734	Switch Assembly.....	1
3	580010327	Seat Belt Kit.....	1
4	Seat Belt.....	1
5	Screw.....	2
6	Washer.....	2
7	Washer.....	2
8	Nut.....	2
9	580014485	Seat Rail (RH).....	1
10	580014486	Seat Rail (LH).....	1
11	580014487	Bracket.....	1
12	504239227	Rod End Pin.....	1
13	501702904	Adhesive.....	AR
14	074259300	Capscrew.....	4
15	504227297	Nut.....	4
16	016103700	Washer.....	4
17	150112324	Gas Spring.....	1
18	504227219	Spring.....	1
19	580010668	Latch.....	1
20	580010657	Plate.....	1
21	504227270	Pin.....	1
22	504227213	Plate.....	1
23	449001114	Capscrew.....	2
24	449022018	Lockwasher.....	2
25	504224237	Knob.....	1
26	203078700	Capscrew.....	1
27	504223295	Spacer.....	AR
28	504223209	Spring Latch.....	1
29	504223299	Clamp.....	2
30	504223232	Bar.....	1
31	449001302	Capscrew.....	4
32	449022013	Lockwasher.....	4
33	504223250	Rod (Formed).....	1
34	504223296	Spring.....	1
35	015026400	Lockwasher.....	1
36	449015044	Nut.....	4
37	580036838	Plate.....	1
38	580060829	Wire Harness.....	1
39	505968533	Connector.....	1
40	505968540	Secondary Lock.....	1
40	505968514	Terminal (Pin).....	2
40	505064713	Terminal.....	2
41	016103700	Washer.....	1
42	015416200	Cotter Pin.....	1

FULL SUSPENSION SEAT (SHEET 1 OF 2)



HP120269



Suggest:

For more complete manuals. Please go to the home page.

<https://www.ebooklibonline.com>

If the above button click is invalid. Please download this document first, and then click the above link to download the complete manual.

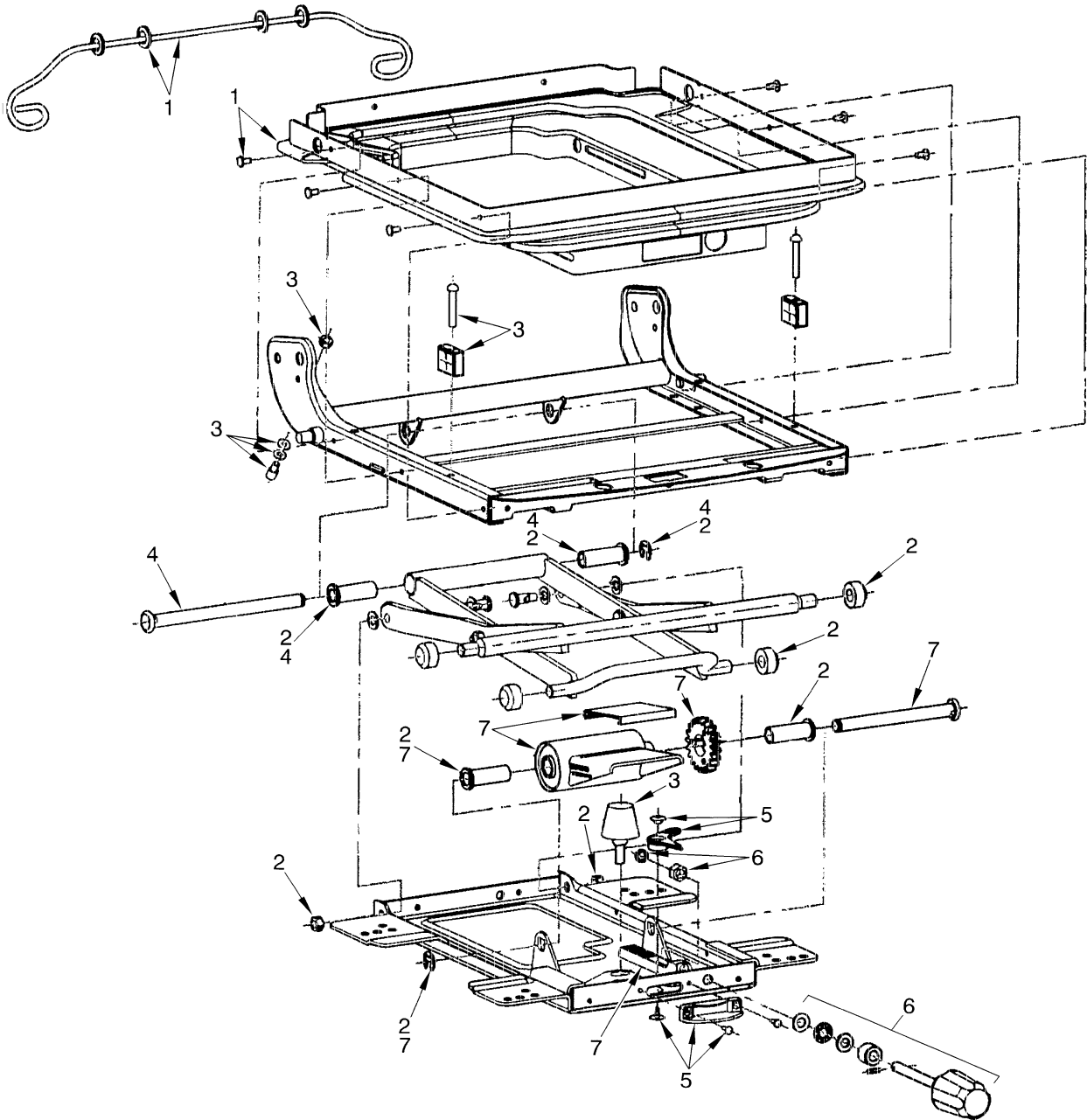
Thank you so much for reading



**FULL SUSPENSION SEAT
(SHEET 1 OF 2)**

ITEM	PART NO.	DESCRIPTION	QTY
	524139223	Full Suspension Seat (Vinyl)	1
1	524139579	Back Cushion	1
2	580023146	Seat Cushion (Vinyl)	1
3	580013409	Slider Kit	1
4	580013410	Switch (Seat)	1
5	580013411	Wire Harness	1
6	580013412	Armrest (LH) (LH)	1
7	580013413	Armrest (RH) (RH)	1
8	580013414	Cap (LH)	1
9	580013415	Cap (RH)	1
10	580013416	Cover (LH)	1
11	580013417	Cover (RH)	1
12	580013418	Holder Kit	1
13	580013426	Recliner Kit	1
14	580013427	Recliner Knob	1
15	580013428	Seat Belt Kit	1
16	023604600	Washer	4
17	504238298	Nut	4
18	580017263	Seat Pan	1
19	Capscrew	1
20	504238298	Nut	4
21	023604600	Washer	4
22	Stop	1
23	449001023	Capscrew	4
24	449015044	Nut	4
25	449022013	Lockwasher	4

FULL SUSPENSION SEAT (SHEET 2 OF 2)



HP120270

<https://www.ebooklibonline.com>

Hello dear friend!

Thank you very much for reading.

Enter the link into your browser.

The full manual is available for immediate download.

<https://www.ebooklibonline.com>