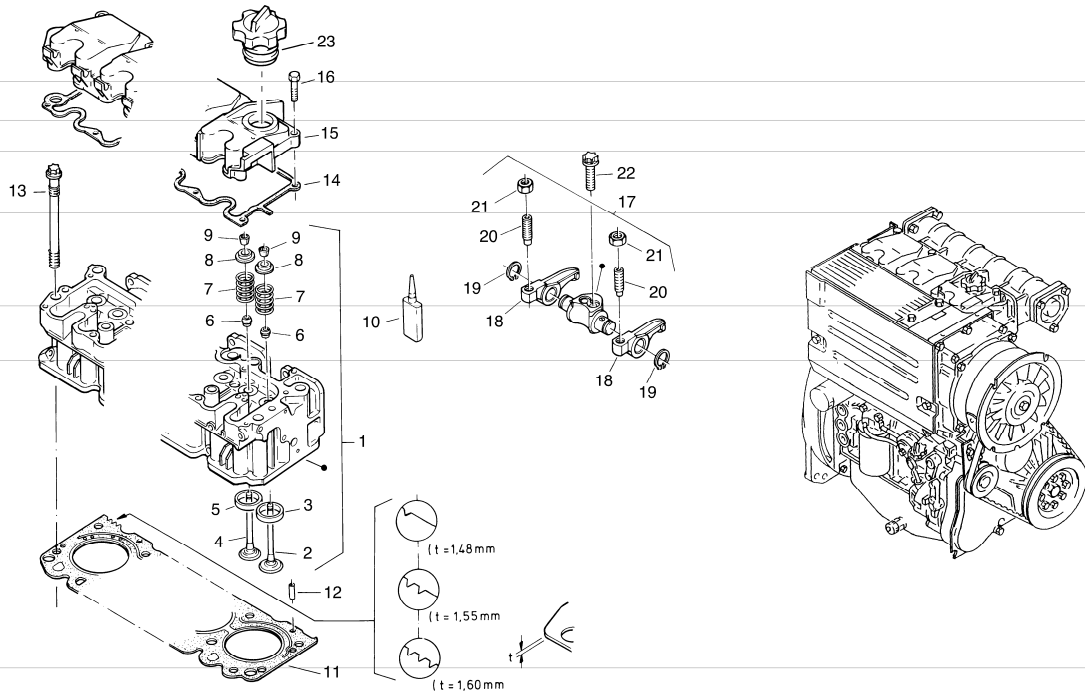


Date: <b>2013/11/6</b>	Image id: <b>1005773</b>	Catalogue: <b>07511</b>	Model: <b>ZL502C</b>
Brand: <b>Volvo</b>	Serial: <b>503001-503999</b>	Group/Section: <b>211/100</b>	Title: <b>Cylinder head</b>

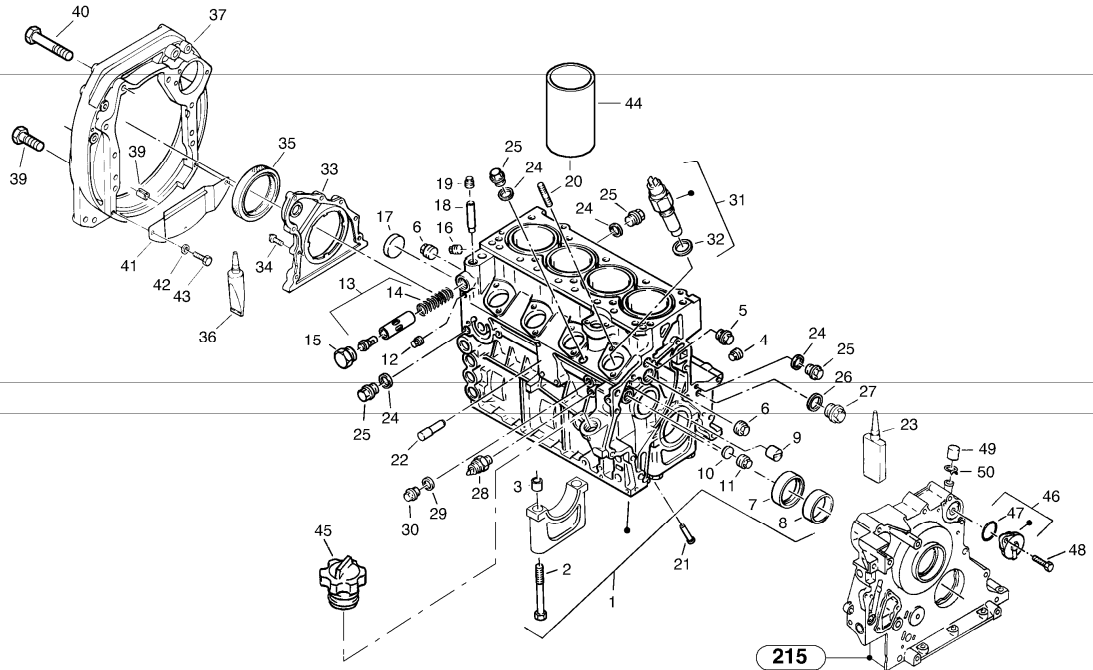


Volvo Construction  
Equipment  
1005773

Pos	Part	Q1	Q2	Q3	Q4	Q5	PS	Kit	Description	Option(s)	Remark
1	ZM2904087	1							Cylinder head		
2	ZM2290501	4							•Inlet valve		
3	ZM2904089	4					SS		•Valve seat ring		
3	ZM2290534	REQ							•Valve seat ring		42,87 mm
4	ZM2904090	4							•Exhaust Valve		
5	ZM2904088	4							•Valve Seat Ring		
5	ZM2290500	REQ							•Valve seat ring		37,37 mm
6	VOE20459855	8							•Valve seal		
7	ZM2904091	8							•Pressure spring		
8	ZM2290505	8							•Spring Disc		
9	VOE20459857	16							•Valve sleeve		
10	ZM2903912	REQ					OP		Locking agent		
11	ZM2904094	1							Cylinder head gasket		1,48 mm
11	ZM2905354	REQ							Cylinder head gasket		1,55 mm
11	ZM2905355	REQ							Cylinder head gasket		1,60 mm
12	VOE21033924	2							Guide pin		(ZM2904093)
13	ZM2904092	10							Cylinder head screw		
14	ZM2904098	1							Gasket		

15	ZM2905356	1							Cylinder head cover		(ZM2904097)-0505000
15	ZM2905356	1							Cylinder head cover		0505001-
16	VOE955276	10							Hexagon screw		M6x35, -0505000
16	VOE13948356	10							Flange screw		M6x30, 0505001-
17	ZM2290529	4							Valve rocker support		
18	ZM2290526	2							•Rocker Arm		
19	ZM7094952	2							•Safety ring		18x1,2
20	ZM2290527	2							•Adjusting screw		
21	VOE11700373	2							•Nut		
22	VOE20459853	8							Screw		
23	ZM2904064	1							Filler cap		

Date: <b>2013/11/6</b>	Image id: <b>1009537</b>	Catalogue: <b>07511</b>	Model: <b>ZL502C</b>
Brand: <b>Volvo</b>	Serial: <b>503001-503999</b>	Group/Section: <b>212/100</b>	Title: <b>Engine housing</b>



Volvo Construction  
Equipment  
1009537

Pos	Part	Q1	Q2	Q3	Q4	Q5	PS	Kit	Description	Option(s)	Remark
1	ZM2904047	1							Crankcase		
2	ZM2290540	10							•Hexagon screw		
3	ZM4010300	10							•Bushing		
4	ZM7096514	1							•Screw plug		-0505000
4	VOE20860215	1							•Screw		(ZM2905340)0505001-
5	ZM2904050	1							•Screw plug		
6	ZM7096516	2							•Screw plug		-0505000
6	VOE20405717	2							•Plug		0505001-
7	ZM2904048	2							•Bearing bush		
8	VOE20795762	3							•Bearing Bushing		
9	VOE15053296	2							•Guide sleeve		(ZM2290541)
10	ZM8092104	1							•Hood		16
11	ZM7096510	1					OP		•Screw plug		-0505000
11	ZM2905346	1							•Screw plug		0505001-
12	ZM7096513	1							•Screw plug		-0505000
12	ZM2905343	1							•Screw plug		0505001-
13	ZM2904169	1							•Thermostat		
14	ZM2904053	1							••Pressure spring		
15	ZM2905343	1							•Screw plug		
16	ZM8096511	1							•Screw plug		-0505000

**<https://www.ebooklibonline.com>**

Hello dear friend!

Thank you very much for reading.

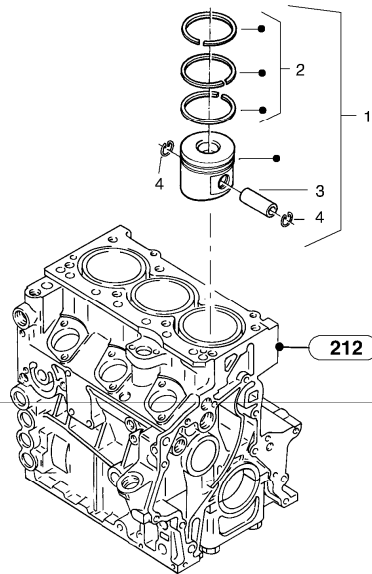
Enter the link into your browser.

The full manual is available for immediate download.

**<https://www.ebooklibonline.com>**

16	VOE20405718	1							•Plug		0505001-
17	VOE20882154	1							•Plug		(ZM7092106)28
18	ZM2904051	1							•Tube		
19	ZM2905344	1							•Screw plug		
20	ZM8097406	8							•Pin screw		M8x20
21	ZM2904056	8							Piston cooling jet		
22	ZM2904057	1							Pin		
23	ZM2904058	REQ							Locking agent		
24	VOE11700631	4							Sealing ring		(ZM7099530)A10x16
25	ZM8099416	4							Screw plug		M10x1
26	VOE13947624	1							Plane gasket		(ZM7099511)A18x24
27	VOE20405506	1							Plug		M18x1,5
28	ZM4053531	1					SS		Oil pressure switch		-0505000
28	ZM2905379	1							Oil pressure switch		0505001-
29	VOE13947624	1							Plane gasket		(ZM7099511)A18x24
30	VOE11305512	1							Lock plug		AM18x1,5
31	ZM2904059	1							Temperature transmitter		
32	VOE13947621	1							•Plane gasket		A14x18
33	ZM2292219	1							Cover rear		
34	ZM2290455	8							Screw		
35	ZM2292220	1							Radial seal		
36	ZM4084070	REQ							Sealant		
37	ZM2290560	1							Intermediate housing		-0505000, SB 10.098
37	ZM2905335	1							Intermediate housing		0505001-, SB 10.098
38	ZM2290547	2							Bushing		
39	VOE11306530	5							Hexagon screw		M12x35
40	ZM8096602	3							Screw		M12x75
41	ZM2290561	1							Cover plate		
42	VOE955892	3							Washer		B6,4
43	VOE955268	3							Hexagon screw		M6x10
44	ZM2905347	4							Cylinder liner		
45	ZM2904064	1							Filler cap		
46	ZM2904065	1							Valve		
47	ZM2904066	1							•O-ring		
48	ZM7095068	1							Screw		M6x25
49	ZM2904067	1					OP		Cap		
50	ZM2290447	1							Clamp		

Date: <b>2013/11/6</b>	Image id: <b>1005794</b>	Catalogue: <b>07511</b>	Model: <b>ZL502C</b>
Brand: <b>Volvo</b>	Serial: <b>503001-503999</b>	Group/Section: <b>213/100</b>	Title: <b>Piston</b>

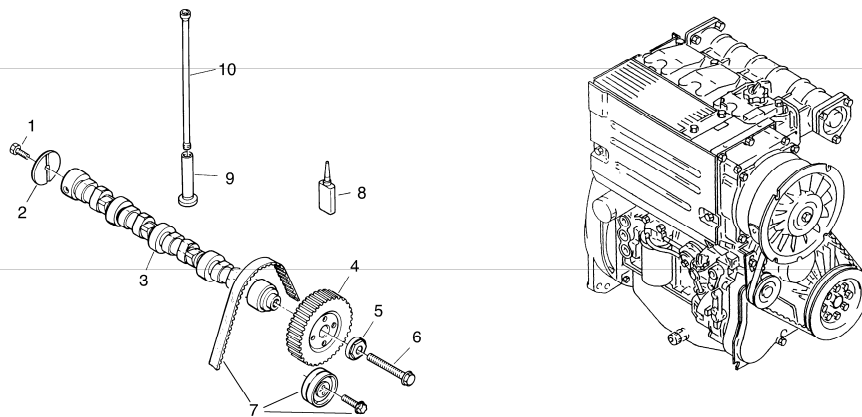


Volvo Construction  
Equipment  
1005794

Pos	Part	Q1	Q2	Q3	Q4	Q5	PS	Kit	Description	Option(s)	Remark
1	ZM2904112	4							Piston		-A-, -0505000
1	ZM2904376	4							Piston		-A-, 0505001-
1	ZM2904113	REQ							Piston		-B- -0505000
1	ZM2904377	REQ							Piston		-B-, 0505001-
1	ZM2290422	REQ							Piston		(ZM2904114)-C-, -0505000
1	ZM2904378	REQ							Piston		-C-, 0505001-
2	ZM2904115	1							•Piston Ring Kit		
3	ZM2290427	1							••Bolt		
4	ZM2290428	2					SS		•Safety ring		C26x1,5

### Construction Equipment

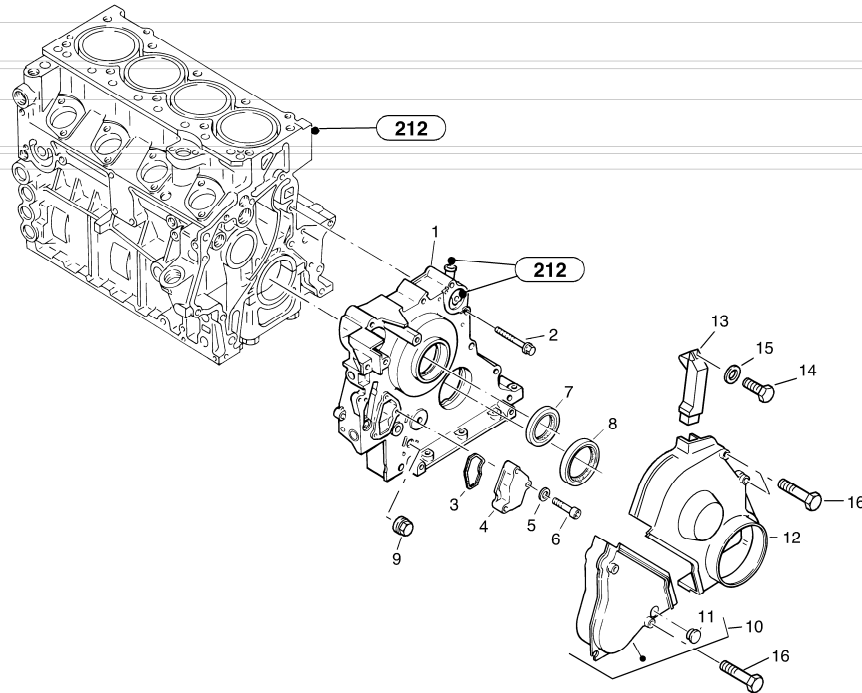
Date: <b>2013/11/6</b>	Image id: <b>1005774</b>	Catalogue: <b>07511</b>	Model: <b>ZL502C</b>
Brand: <b>Volvo</b>	Serial: <b>503001-503999</b>	Group/Section: <b>215/100</b>	Title: <b>Camshaft</b>



Volvo Construction  
Equipment  
1005774

Pos	Part	Q1	Q2	Q3	Q4	Q5	PS	Kit	Description	Option(s)	Remark
1	ZM8095503	1							Screw		M8x35
2	ZM2290517	1							Spacer disc		
3	ZM2904099	1							Camshaft		-0505000
3	ZM2907510	1							Camshaft		0505001-
4	ZM2290519	1							Toothed belt wheel		
5	ZM2290522	1							Washer		
6	VOE20797281	1							Hexagon screw		M14x1,5x110
7	ZM2904890	1							Repair kit (toothed belt)		
8	ZM2903828	REQ					OP		Locking agent		
9	ZM2904101	2							Valve tappet		
10	ZM2290524	2							Push rod		

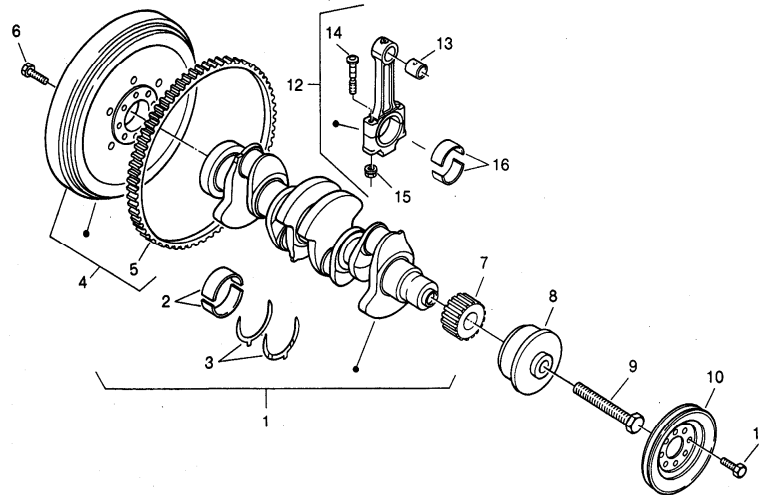
Date: <b>2013/11/6</b>	Image id: <b>1005772</b>	Catalogue: <b>07511</b>	Model: <b>ZL502C</b>
Brand: <b>Volvo</b>	Serial: <b>503001-503999</b>	Group/Section: <b>215/200</b>	Title: <b>Timing gear housing (front cover)</b>



Volvo Construction  
Equipment  
1005772

Pos	Part	Q1	Q2	Q3	Q4	Q5	PS	Kit	Description	Option(s)	Remark
1	ZM2904069	1							Front cover		
2	ZM2904100	11					SS		Screw		
3	ZM2904068	1							Profil gasket		
4	ZM2904070	1							Cover		
5	VOE955892	3							Washer		B6,4
6	ZM7096552	3							Screw		M6x35
7	ZM2291470	1							Seal		
8	ZM2290458	1							Seal		
9	ZM8096511	1							Screw plug		-0505000
9	VOE20405718	1							Plug		0505001-
10	ZM2905384	1							Protective hood		
11	ZM2904072	1							•Plug		
12	ZM2290487	1							Protective hood		
13	ZM2900130	1					SS		Air duct		
14	VOE13980220	1							Six point socket screw		M4x12
15	VOE955891	1							Washer		B4,3
16	VOE955282	4							Hexagon screw		M6x70

Date: <b>2013/11/6</b>	Image id: <b>1009563</b>	Catalogue: <b>07511</b>	Model: <b>ZL502C</b>
Brand: <b>Volvo</b>	Serial: <b>503001-503999</b>	Group/Section: <b>216/100</b>	Title: <b>Crankshaft</b>

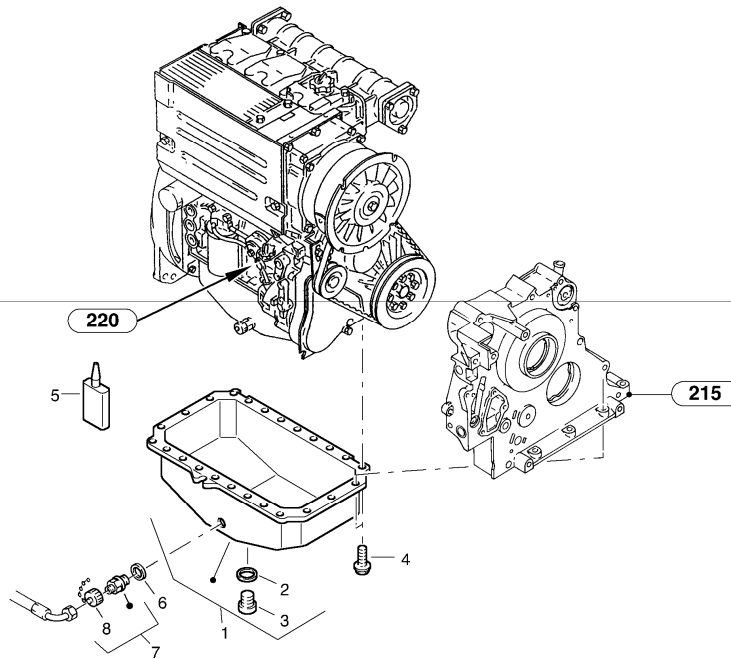


Volvo Construction  
Equipment  
1009563

Pos	Part	Q1	Q2	Q3	Q4	Q5	PS	Kit	Description	Option(s)	Remark
1	ZM2905351	1							Crankshaft		
2	ZM2290400	5							•Crankshaft bearing		70,00 mm
2	ZM2900539	REQ							•Crankshaft bearing		69,75 mm
2	ZM2290402	REQ							•Crankshaft bearing		69,50 mm
3	VOE20944762	1							•Thrust Washer		2,4 mm
3	VOE20944769	REQ							•Thrust Washer		2,6 mm
4	ZM2904103	1					SS		Fly wheel		-0505000
4	ZM2908532	1							Flywheel		0505001-
5	ZM2904104	1							•Gear ring		-0505000
5	ZM2908533	1							•Gear ring		0505001-
6	ZM2290407	8							Screw		
7	ZM2290408	1							Toothed belt wheel		
8	ZM2904102	1							Flange		
9	ZM2290411	1							Screw		
10	ZM2290412	1							V-belt pulley		
11	ZM2908482	4							Screw		
12	ZM2904105	4					SS		Connecting rod		
13	ZM2290416	1							•Bushing		29,06 - 29,10 mm
13	ZM2904108	REQ							•Bushing		29,31 - 29,35 mm
14	ZM2904106	4							•Screw		

15	ZM2290415	2							•Nut		
16	ZM2290417	4							Big end bearing		55,00 mm
16	ZM2290418	REQ							Big end bearing		54,75 mm
16	ZM2908484	REQ							Big End Brg Shl		54,50 mm

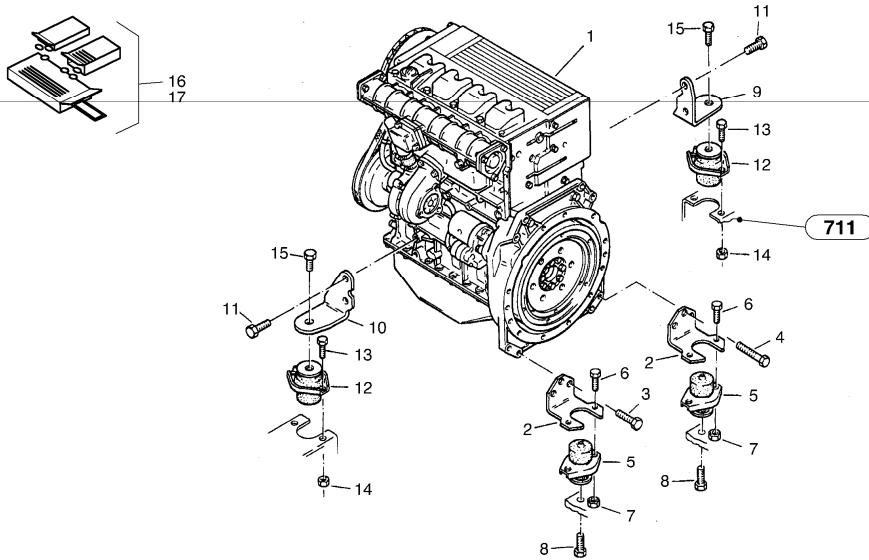
Date: <b>2013/11/6</b>	Image id: <b>1005745</b>	Catalogue: <b>07511</b>	Model: <b>ZL502C</b>
Brand: <b>Volvo</b>	Serial: <b>503001-503999</b>	Group/Section: <b>217/100</b>	Title: <b>Oil sump</b>



Volvo Construction  
Equipment  
1005745

Pos	Part	Q1	Q2	Q3	Q4	Q5	PS	Kit	Description	Option(s)	Remark
1	ZM2904060	1							Oil pan		
2	VOE13947624	2							•Plane gasket		(ZM7099511)A18x24
3	ZM7099428	1							•Screw plug		M18x1,5
4	ZM2292234	26							Screw		
5	ZM4077360	REQ							Seg Compound		
6	ZM7099518	1							Seal		C18x24
7	ZM4384256	1							Valve		
8	ZM2285689	1							•Chain with cap		

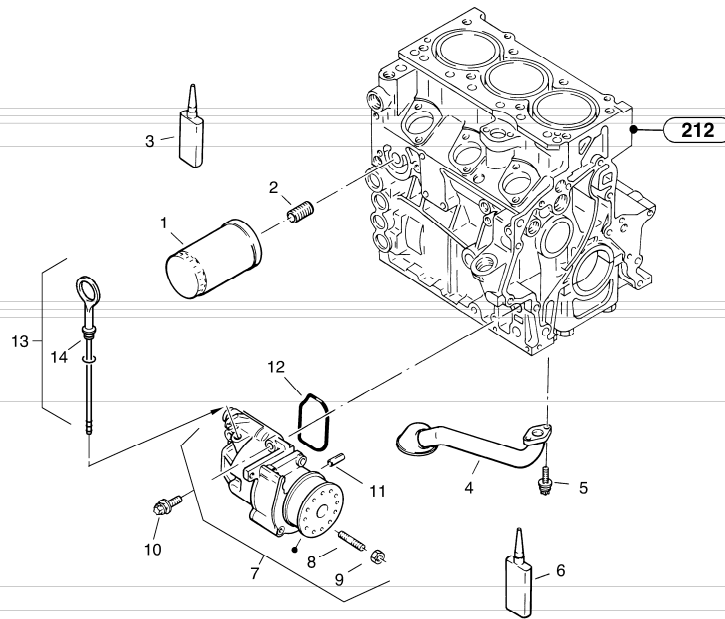
Date: <b>2013/11/6</b>	Image id: <b>1009526</b>	Catalogue: <b>07511</b>	Model: <b>ZL502C</b>
Brand: <b>Volvo</b>	Serial: <b>503001-503999</b>	Group/Section: <b>218/100</b>	Title: <b>Engine assy</b>



Volvo Construction  
Equipment  
1009526

Pos	Part	Q1	Q2	Q3	Q4	Q5	PS	Kit	Description	Option(s)	Remark
1	ZM2814027	1							Engine, cpl.		
2	ZM2807295	2							Retainer		
3	ZM4326456	1					SS		Screw		M14x30
4	ZM2800578	1							Screw		M14x60
5	VOE11306533	2							Buffer		
6	VOE983252	4							Hexagon screw		M10x30
7	VOE983304	4							Hexagon nut		M10
8	VOE978932	2							Hexagon screw		M12
9	ZM2815844	1							Bearing Bracket		
10	ZM2815845	1							Bearing Bracket		
11	ZM4326456	4					SS		Screw		M14x30
12	VOE11306533	2							Buffer		
13	VOE983252	4							Hexagon screw		M10x30
14	VOE983304	4							Hexagon nut		M10
15	VOE978932	2							Hexagon screw		M12x30
16	ZM2906907	1						K	Gasket Kit		
17	ZM2907525	1						K	Gasket Kit		

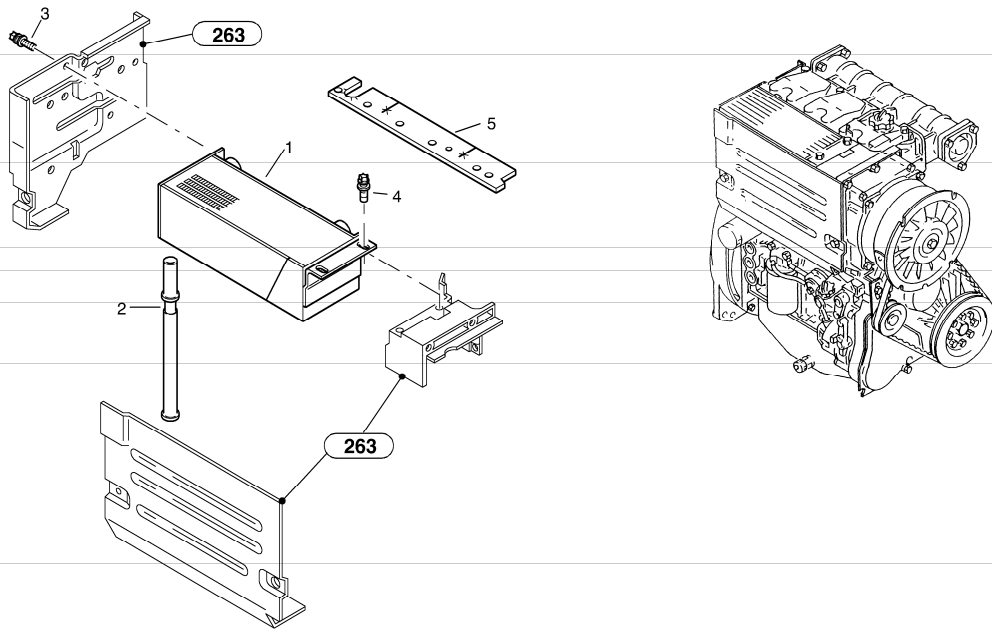
Date: <b>2013/11/6</b>	Image id: <b>1006098</b>	Catalogue: <b>07511</b>	Model: <b>ZL502C</b>
Brand: <b>Volvo</b>	Serial: <b>503001-503999</b>	Group/Section: <b>220/100</b>	Title: <b>Oil pump, oil filter</b>



Volvo Construction  
Equipment  
1006098

Pos	Part	Q1	Q2	Q3	Q4	Q5	PS	Kit	Description	Option(s)	Remark
1	ZM2904941	1							Oil filter		
2	ZM2290250	1							Bushing		
3	VOE20464471	1							Locking fluid		
4	VOE11715751	1							Oil pipe		(ZM2904124)
5	ZM2900397	2							Screw		-0505000
5	ZM2904040	2					SS		Screw		0505001-
6	ZM2903828	REQ					OP		Locking agent		
7	VOE11715526	1							Oil pump		(ZM2904116)
8	ZM2290460	1					SS		•Bearing spindle		M6x40
9	ZM7098000	1							•Nut		M6
10	ZM2904117	4							Screw		
11	ZM2904118	2							Clamping pin		
12	ZM2904119	1							Gasket		
13	ZM2905170	1							Oil dipstick		
14	ZM2905171	1							•O-ring		

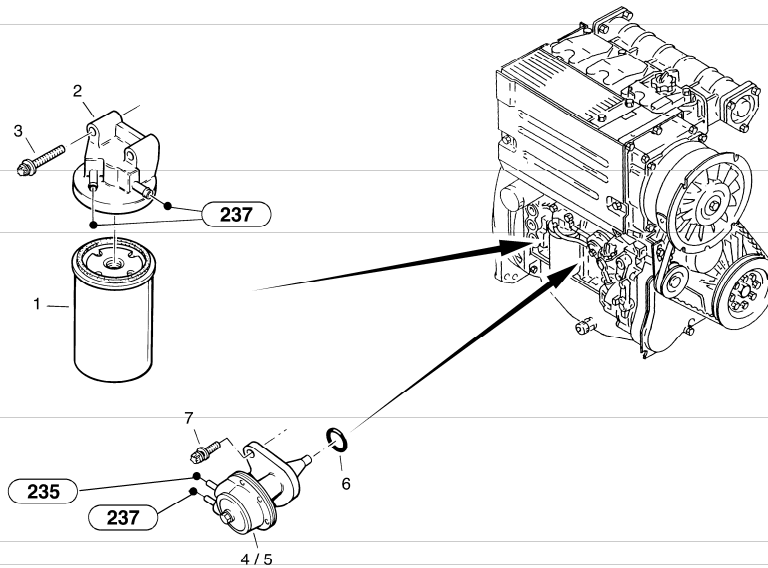
Date: <b>2013/11/6</b>	Image id: <b>1005797</b>	Catalogue: <b>07511</b>	Model: <b>ZL502C</b>
Brand: <b>Volvo</b>	Serial: <b>503001-503999</b>	Group/Section: <b>223/100</b>	Title: <b>Oil cooler</b>



Volvo Construction  
Equipment  
1005797

Pos	Part	Q1	Q2	Q3	Q4	Q5	PS	Kit	Description	Option(s)	Remark
1	ZM2905358	1					SS		Oil cooler		
2	ZM2904123	2							Insert pipe		
3	ZM2904121	2							Screw		
4	ZM2901217	2							Screw		
5	ZM2905359	1							Sealing strip		0505001-

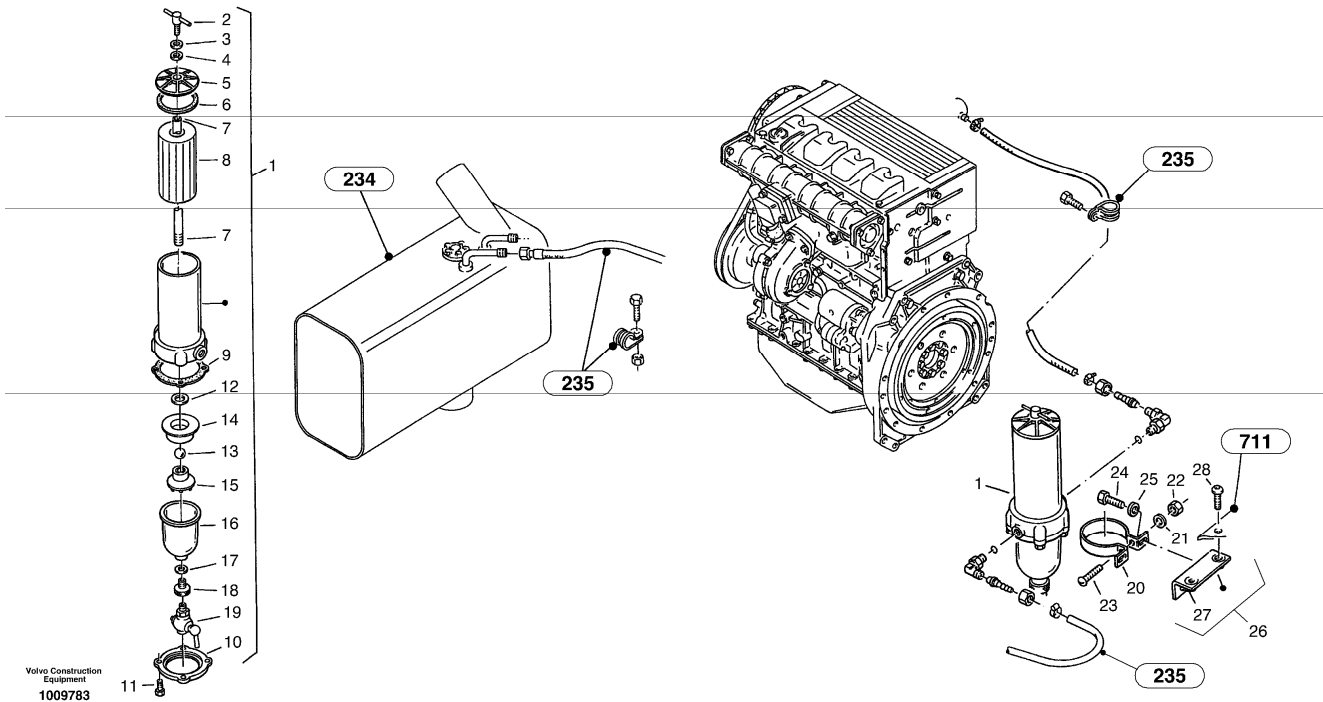
Date: <b>2013/11/6</b>	Image id: <b>1005814</b>	Catalogue: <b>07511</b>	Model: <b>ZL502C</b>
Brand: <b>Volvo</b>	Serial: <b>503001-503999</b>	Group/Section: <b>233/100</b>	Title: <b>Fuel filter - Feed pump</b>



Volvo Construction  
Equipment  
1005814

Pos	Part	Q1	Q2	Q3	Q4	Q5	PS	Kit	Description	Option(s)	Remark
1	ZM2800784	1							Fuel Filter		-0504038, SB 10.094
1	ZM2905303	1							Filter		0504039-
2	ZM2904125	1							Bracket		
3	ZM2908513	2							Screw		
4	ZM2904380	1							Feed pump		
5	ZM2904381	1							Repair kit		
6	ZM2290370	1							O-ring		
7	ZM2904137	2							Screw		

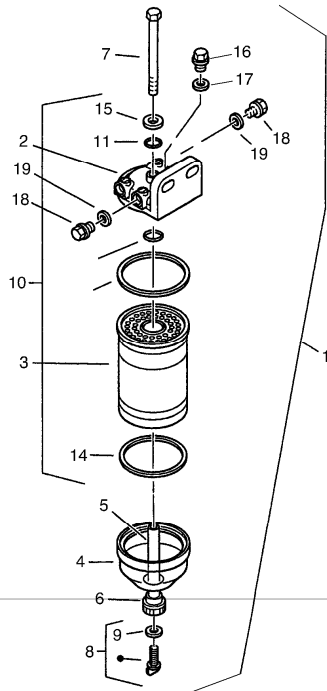
Date: <b>2013/11/6</b>	Image id: <b>1009783</b>	Catalogue: <b>07511</b>	Model: <b>ZL502C</b>
Brand: <b>Volvo</b>	Serial: <b>503001-503999</b>	Group/Section: <b>233/200</b>	Title: <b>Filter - Water separator</b>



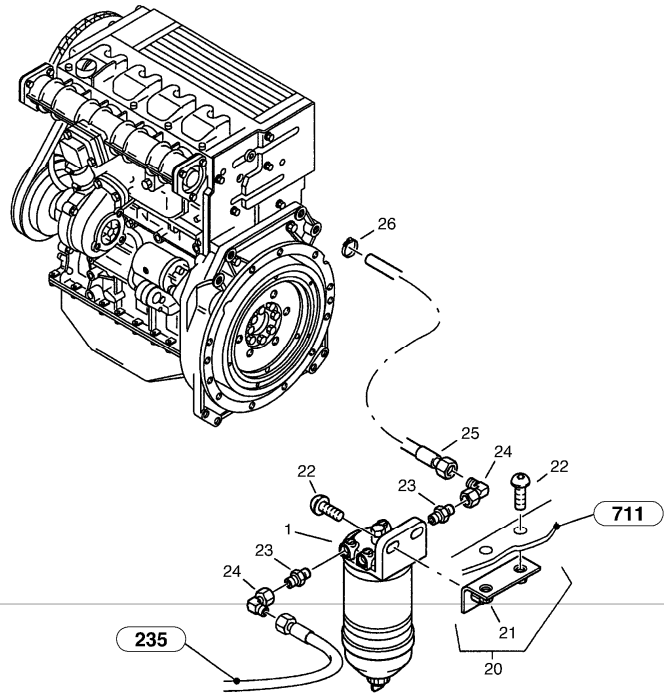
Pos	Part	Q1	Q2	Q3	Q4	Q5	PS	Kit	Description	Option(s)	Remark
1	ZM2284761	1							Filter		
2	ZM2284762	1							•Screw		
3	ZM2284763	1							•Washer		
4	ZM2284764	1							•Gasket		
5	ZM2284765	1							•Cover		
6	ZM2284766	1							•Gasket		
7	ZM2284767	1							•Pin		
8	ZM2284769	1							•Filter cartridge		
9	ZM2284770	1							•Gasket		
10	ZM2284771	1							•Ring		
11	ZM2284772	4					OP		•Screw		
12	ZM2284773	1							•Gasket		
13	ZM2284774	1							•Ball		
14	ZM2284775	1							•Cone		
15	ZM2284776	1							•Centrifuge		
16	VOE14534866	1							•Bowl		(ZM2284777)
17	ZM2284778	1							•Gasket		
18	ZM2284779	1							•Screw		
19	ZM2903698	1							•Outlet cock		
20	ZM2284781	1							•Clip		

21	ZM2284782	1							•Washer		
22	ZM2284783	1							•Nut		
23	ZM2284784	1							•Screw		
24	VOE983242	2							Hexagon screw		M8x20
25	VOE11307560	2							Washer		(ZM7099092)B8,4
26	ZM2806690	1							Retainer		
27	VOE979151	4							•Nut		
28	ZM2810331	2							Screw		M8x25

Date: <b>2013/11/6</b>	Image id: <b>1009784</b>	Catalogue: <b>07511</b>	Model: <b>ZL502C</b>
Brand: <b>Volvo</b>	Serial: <b>503001-503999</b>	Group/Section: <b>233/300</b>	Title: <b>Filter - Water separator - Lucas version</b>



Volvo Construction  
Equipment  
1009784

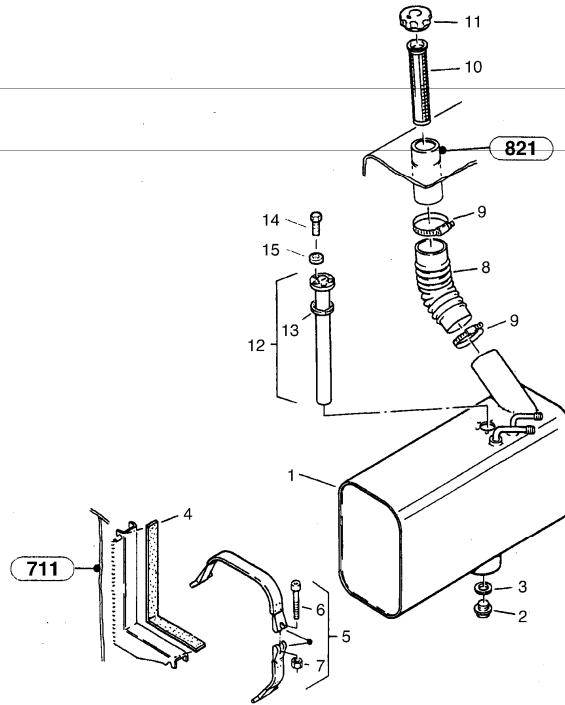


Q1-Q5	Option	Option description	
Q1 0504039-			

Pos	Part	Q1	Q2	Q3	Q4	Q5	PS	Kit	Description	Option(s)	Remark
1	ZM2807872	1							Fuel filter		SB 10.094
2	ZM2905307	1					SS		•Filter head		
3	ZM2905298	1							•Filter cartridge		
4	ZM2905299	1							•Sight glass		
5	ZM2905300	1							•Knurled head screw		
6	VOE7242081	1							•Washer		(ZM2905301)
7	ZM2905302	1							•Screw		
8	VOE242595	1							•Plug		(ZM2905304)
9	VOE7242081	1							••Washer		(ZM2905301)
10	ZM2905306	1							•Gasket set, cpl.		
11	ZM2905308	1							••O-ring		
12	ZM2905309	1							••Gasket		
13	ZM2905310	1							••O-ring		
14	ZM2905311	1							••Gasket		
15	ZM2905312	1							••Washer		
16	ZM2905313	1							•Screw		
17	ZM2164940	1							•Seal		A10x14

18	ZM7099404	2							•Lock Plug		AM14x1,5
19	ZM2905314	2							•Seal		
20	ZM2810645	1							Retainer		
21	VOE979151	4							•Nut		
22	ZM2810332	4							Cross recessed screw		
23	VOE941754	2							Nipple		L10
24	VOE13945357	2							Elbow nipple		L10
25	ZM2810644	1							Fuel hose		
26	ZM2060781	1							Clip		AL8-16

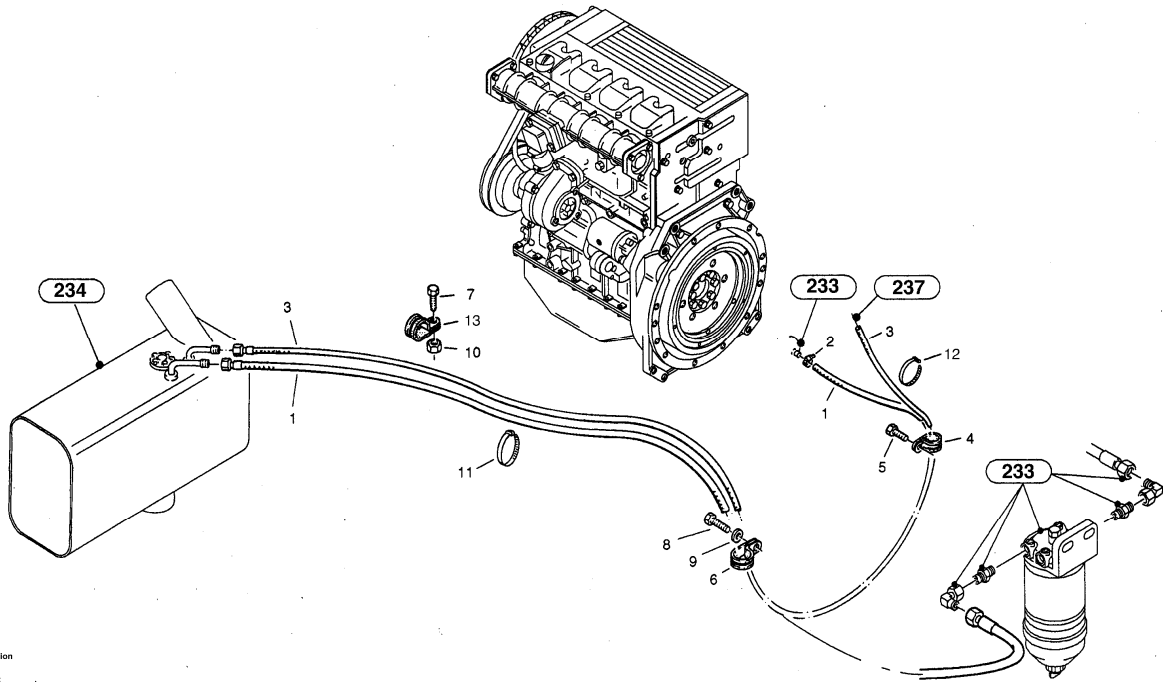
Date: <b>2013/11/6</b>	Image id: <b>1009567</b>	Catalogue: <b>07511</b>	Model: <b>ZL502C</b>
Brand: <b>Volvo</b>	Serial: <b>503001-503999</b>	Group/Section: <b>234/100</b>	Title: <b>Fuel tank</b>



Volvo Construction  
Equipment  
1009567

Pos	Part	Q1	Q2	Q3	Q4	Q5	PS	Kit	Description	Option(s)	Remark
1	ZM2803433	1							Fuel tank		
2	ZM7099411	1							Screw plug		AM22x1,5
3	VOE20460026	1							Sealing ring		(ZM7099523)A22x27
4	ZM2805874	2							Rubber Strip		
5	ZM2805718	2					OP		Clip		
6	ZM8097912	1					OP		•Screw		M10x90
7	ZM7098390	1					OP		•Nut		M10
8	ZM2817766	1					SS		Hose		-0502057
8	ZM2807020	1							Hose		0502058-
9	VOE943482	1							Hose clamp		(ZM5143039)
10	ZM2800816	1							Fuel strainer		
11	ZM2909958	1							Filler cap		
12	ZM2804526	1							Fuel level sensor		
13	ZM2903845	1							•Flange		
14	VOE955246	5							Hexagon screw		M5x16
15	ZM5138010	5							Gasket		A5x7,5 0504044-, SB 10.095

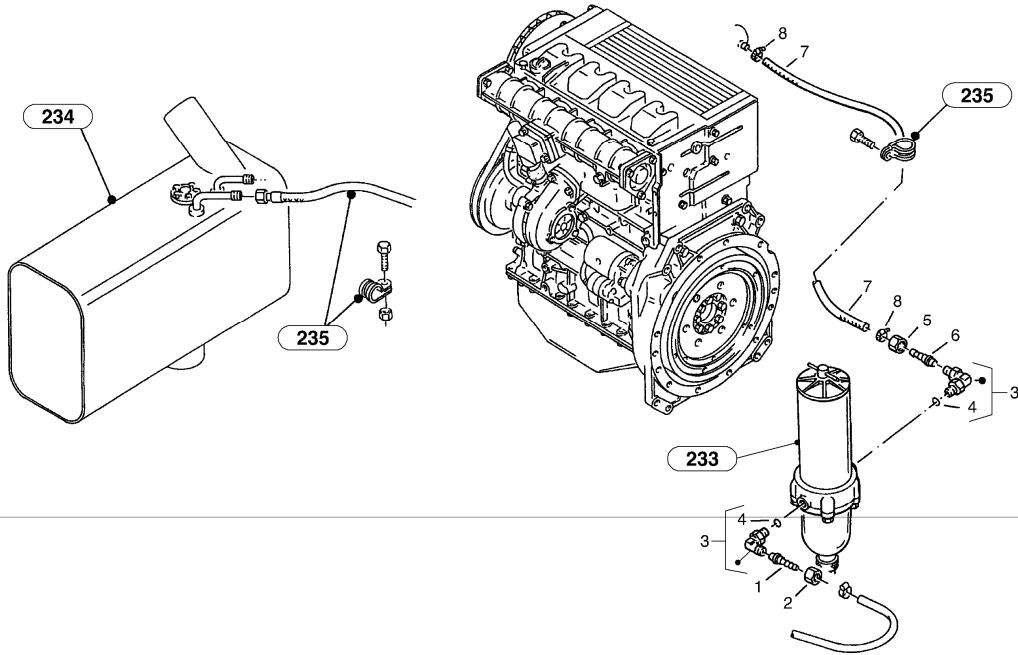
Date: <b>2013/11/6</b>	Image id: <b>1009568</b>	Catalogue: <b>07511</b>	Model: <b>ZL502C</b>
Brand: <b>Volvo</b>	Serial: <b>503001-503999</b>	Group/Section: <b>235/100</b>	Title: <b>Fuel pipes</b>



Volvo Construction  
Equipment  
1009568

Pos	Part	Q1	Q2	Q3	Q4	Q5	PS	Kit	Description	Option(s)	Remark
1	ZM4417852	1							Hose		-0504038
1	ZM4402627	1							Hose		0504039-
2	ZM2060781	1							Clip		AL8-16
3	ZM2806333	1							Fuel pipe		
4	VOE980614	1							Clamp		(ZM4343144)-0504046, SB 10.098
5	VOE983242	1							Hexagon screw		-0504046, SB 10.098
6	ZM8091927	1							Clip		
7	VOE13955272	1							Screw		M6x20
8	VOE13948356	1							Flange screw		M6x30
9	ZM7099093	1							Washer		B6,4
10	ZM7098000	1							Nut		M6
11	ZM2193590	3							Cable clip		
12	ZM2193590	1							Cable clip		0504047-, SB 10.098
13	ZM2806377	1							Clip		

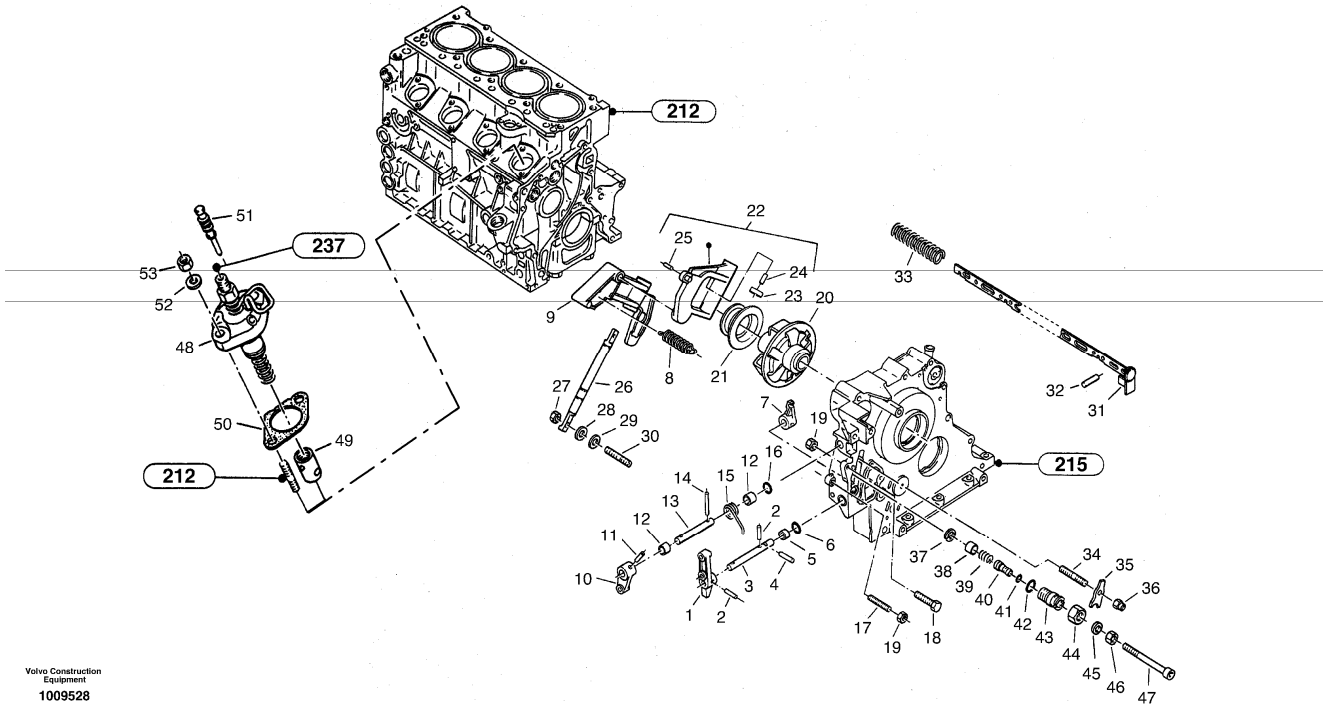
Date: <b>2013/11/6</b>	Image id: <b>1009785</b>	Catalogue: <b>07511</b>	Model: <b>ZL502C</b>
Brand: <b>Volvo</b>	Serial: <b>503001-503999</b>	Group/Section: <b>235/200</b>	Title: <b>Fuel pipes</b>



Volvo Construction  
Equipment  
1009785

Pos	Part	Q1	Q2	Q3	Q4	Q5	PS	Kit	Description	Option(s)	Remark
1	ZM4383357	1							Nipple		
2	ZM7092531	1							Nut		BLL10
3	ZM4339820	2					OP		Fitting		
4	ZM1034751	1							•O-ring		11,3x2,4
5	ZM7092531	1							Nut		BLL10
6	ZM4383357	1							Nipple		
7	ZM4383300	1							Hose		B8x2,5
8	ZM2060781	2							Clip		AL8-16

Date: <b>2013/11/6</b>	Image id: <b>1009528</b>	Catalogue: <b>07511</b>	Model: <b>ZL502C</b>
Brand: <b>Volvo</b>	Serial: <b>503001-503999</b>	Group/Section: <b>236/100</b>	Title: <b>Speed adjustment - Fuel injection pump</b>

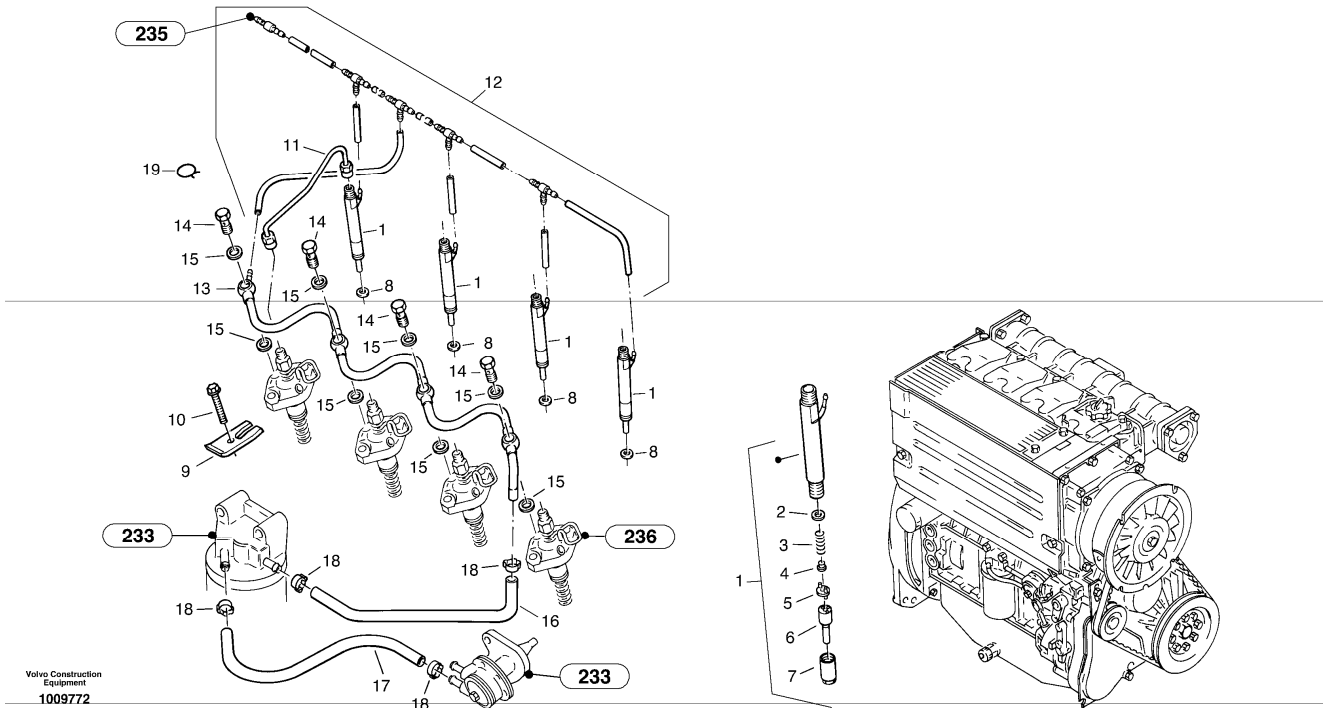


Volvo Construction  
Equipment  
1009528

Pos	Part	Q1	Q2	Q3	Q4	Q5	PS	Kit	Description	Option(s)	Remark
1	ZM2904077	1							Lever		
2	ZM7099461	2							Clamping pin		5x20
3	ZM2291460	1							Regulator lever shaft		
4	ZM2292257	1							Bolt		
5	ZM2290478	1					SS		Sleeve		
6	ZM2291459	1							O-ring		
7	ZM2900507	1							Lever		
8	ZM2290474	1							Tension Spring		-0505000
8	ZM2907512	1							Tension Spring		0505001-
9	VOE11370648	1							Hand lever		(ZM2290472)
10	ZM2290482	1							Stop lever		
11	ZM7099461	1							Clamping pin		5x20
12	ZM2290478	2					SS		Sleeve		
13	ZM2292255	1							Lever shaft		
14	ZM2291481	1							Pin		5x45
15	ZM2291464	1							Torsion spring		
16	ZM2291459	1							O-ring		
17	VOE15051912	1							Set screw		(ZM2291466)M6x50
18	ZM7095068	1							Screw		M6x25

19	ZM7098000	2							Nut		M6
20	VOE11370251	1							Centrifugal governor		
21	ZM2904079	1							Sleeve		
22	ZM2904076	1					SS		Roller lever		
23	ZM2904081	2							•Ball bearing		608-2 Z
24	VOE11715759	2							•Bolt		(ZM2904082)A8K 6x20
25	VOE20460241	1							•Screw		A4x8
26	ZM2904080	1							Axle		
27	ZM7098000	2							Nut		M6
28	ZM2291467	2							Washer		
29	ZM2291465	2							Washer		
30	VOE11370223	2							Stud		M6x12
31	ZM2904084	1							Control rod		
32	ZM2904085	1							Fixed pin		
33	ZM2290471	1							Pressure spring		
34	ZM2176900	1					OP		Stud		M6x20
35	ZM2291472	1							Claw		
36	ZM7098392	1							Nut		M6
37	VOE914448	1							Retaining ring		(ZM7094958)14x10
38	ZM2291474	1							Stop		-0505000
38	ZM2906905	1							Stop		0505001-
39	ZM2291475	1							Pressure spring		
40	ZM2291476	1					SS		Adjusting screw		
41	ZM2291479	1							O-ring		
42	ZM2291480	1							O-ring		
43	ZM2906904	1							Adjusting screw		(ZM2291473)-0505000
43	ZM2906904	1							Adjusting screw		0505001-
44	VOE11700373	1							Nut		
45	ZM2904086	1							Seal		
46	VOE955780	1							Hexagon nut		M5
47	ZM2906906	1							Screwed pin		(ZM2291477)-0505000
47	ZM2906906	1							Screwed pin		0505001-
48	ZM2904379	4							Injection Pump		
49	ZM2901356	4							Roller tappet		
50	ZM2904128	4							Balancer gasket		0,4 mm
50	ZM2904129	REQ							Balancer gasket		0,5 mm
50	ZM2904130	REQ							Balancer gasket		0,6 mm
50	ZM2904131	REQ							Balancer gasket		0,7 mm
50	ZM2904132	REQ							Balancer gasket		0,8 mm
50	ZM2904133	REQ							Balancer gasket		0,9 mm
50	ZM2904134	REQ							Balancer gasket		1,0 mm
51	ZM2904135	4							Plug		
52	VOE20405802	8							Washer		
53	ZM7098010	8							Nut		M8

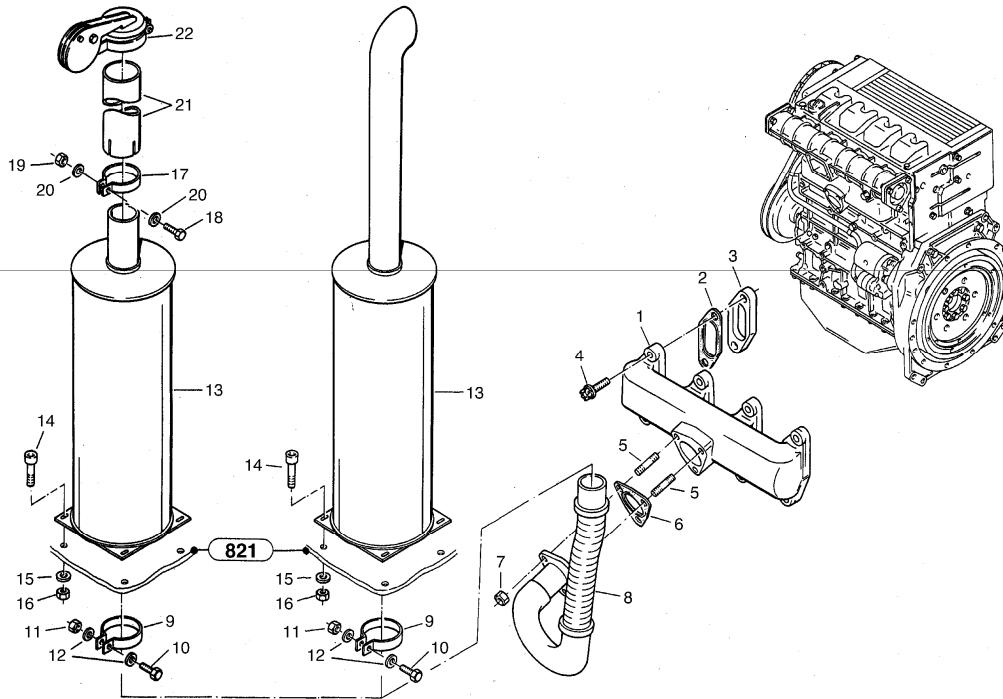
Date: <b>2013/11/6</b>	Image id: <b>1009772</b>	Catalogue: <b>07511</b>	Model: <b>ZL502C</b>
Brand: <b>Volvo</b>	Serial: <b>503001-503999</b>	Group/Section: <b>237/100</b>	Title: <b>Injection pipes, Injection valve</b>



Pos	Part	Q1	Q2	Q3	Q4	Q5	PS	Kit	Description	Option(s)	Remark
1	ZM2904138	4							Injection valve		-0505000
1	ZM2904382	4							Injection Valve		0505001-
2	VOE11705716	1							•Shim		(ZM2901179)1,00 mm
2	ZM2901180	REQ							•Spacer		1,04 mm
2	VOE11705718	REQ							•Shim		(ZM2901181)1,08 mm
2	ZM2901182	REQ							•Spacer		1,10 mm
2	ZM2901183	REQ							•Spacer		1,14 mm
2	ZM2901184	REQ							•Spacer		1,18 mm
2	VOE11705722	REQ							•Shim		(ZM2901185)1,20 mm
2	ZM2904144	REQ							•Spacer		1,22 mm
2	ZM2901186	REQ							•Spacer		1,24 mm
2	ZM2901187	REQ							•Spacer		1,28 mm
2	ZM2901188	REQ							•Spacer		1,30 mm
2	VOE11705726	REQ							•Shim		(ZM2901189)1,34 mm
2	ZM2901190	REQ							•Spacer		1,38 mm
2	ZM2901191	REQ							•Spacer		1,40 mm
2	ZM2901192	REQ							•Spacer		1,44 mm
2	ZM2901193	REQ							•Spacer		1,48 mm
2	ZM2901194	REQ							•Spacer		1,50 mm
2	ZM2901195	REQ							•Spacer		1,54 mm

2	ZM2901196	REQ							•Spacer		1,58 mm
2	ZM2901197	REQ							•Spacer		1,60 mm
2	ZM2901198	REQ							•Spacer		1,64 mm
2	ZM2901199	REQ							•Spacer		1,68 mm
2	VOE11705737	REQ							•Shim		(ZM2901200)1,70 mm
2	ZM2901201	REQ							•Spacer		1,74 mm
2	ZM2901202	REQ							•Spacer		1,78 mm
2	ZM2901203	REQ							•Spacer		1,80 mm
2	VOE11705741	REQ							•Shim		(ZM2901204)1,84 mm
2	ZM2901205	REQ							•Spacer		1,88 mm
2	VOE11705743	REQ							•Shim		(ZM2901206)1,90 mm
2	ZM2901207	REQ							•Spacer		1,94 mm
2	VOE11700462	REQ							•Shim		1,98 mm
3	ZM2904141	1							•Pressure spring		
4	VOE20405525	1							•Bolt		
5	VOE11700430	1							•Washer		
6	ZM2904140	1							•Nozzle element		-0505000
6	ZM2904383	1							•Nozzle element		0505001-
7	VOE11700432	1							•Cap nut		
8	VOE11700426	4							Sealing ring		
9	ZM2904139	4							Stabilisor		
10	ZM2901217	4							Screw		-0505000
10	VOE20405885	4							Screw		(ZM2904384)0505001-
11	ZM2904751	4							Injection pipes		
12	ZM2908047	1							Leak-off line		
13	ZM2904146	1							Fuel pipe		
14	VOE20460936	4							Hollow screw		
15	VOE13947282	8							Gasket		A12x16, -0505000
15	VOE13947282	8							Gasket		(VOE7011994)A12x18, 0505001-
16	ZM2908264	1							Rubber hose		(ZM2904148)
17	ZM2908264	1							Rubber hose		(ZM2290398)
18	VOE20914426	4							Hose Clamp		(ZM2904147)
19	VOE20450674	1							Clip		(ZM2906056)

Date: <b>2013/11/6</b>	Image id: <b>1009547</b>	Catalogue: <b>07511</b>	Model: <b>ZL502C</b>
Brand: <b>Volvo</b>	Serial: <b>503001-503999</b>	Group/Section: <b>252/100</b>	Title: <b>Exhaust system</b>



Pos	Part	Q1	Q2	Q3	Q4	Q5	PS	Kit	Description	Option(s)	Remark
1	ZM4083900	1							Plate		-0505000
1	ZM2907513	1							Collecting pipe		0505001-
2	ZM4083910	4							Stiffener		
3	ZM2904038	1							Flange		
4	VOE20481810	8							Screw		
5	VOE20834041	3							Stud		M8x20
6	ZM2900459	1							Gasket		
7	ZM7098010	3							Nut		M8
8	ZM2806759	1							Hose		
9	VOE11306075	1							Clamp		58,5
10	VOE983244	1							Hexagon screw		M8x30
11	ZM7098010	1							Nut		M8
12	VOE11305837	2							Washer		(ZM7090940)8,4
13	ZM2806842	1							Muffler		
13	ZM4362130	REQ							Muffler		See footnote 2083)
14	ZM2810332	4							Cross screw recessed		
15	VOE11307560	4							Washer		(ZM7099092)B8,4
16	ZM7098010	4							Nut		M8
17	VOE11306314	1							Clamp		See footnotes 2083),

											2084) 65,5
18	VOE983244	1							Hexagon screw		See footnotes 2083), 2084) M8x30
19	ZM7098010	1							Nut		See footnotes 2083), 2084) M8
20	VOE11305837	2							Washer		See footnotes 2083), 2084) 8,4
21	ZM4417447	1							End Pipe		See footnotes 2083), 2084)
22	VOE11306286	1							Cap		See footnotes 2083), 2084)
22	ZM2806843	1							Cap		See footnote 1612)

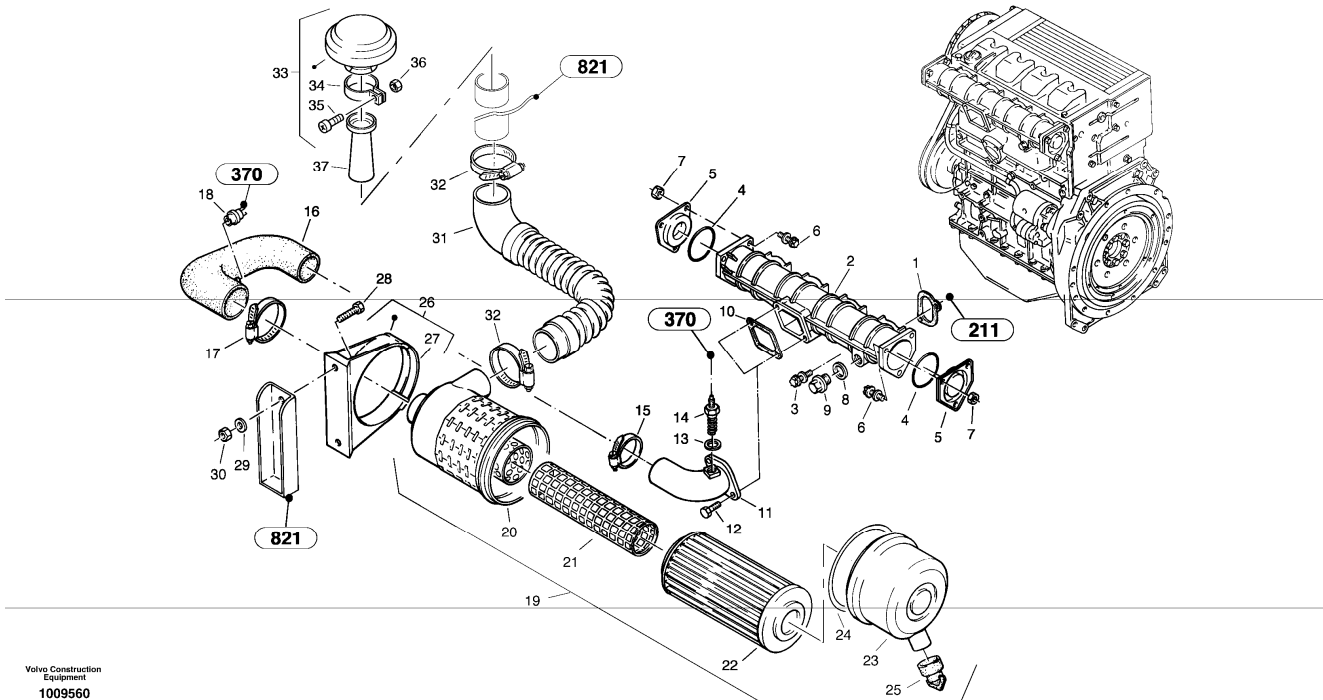
1612) Only for version "foldable roll over protection"

2083) By detachable End pipe

2084) Not by version "foldable roll over protection"



Date: <b>2013/11/6</b>	Image id: <b>1009560</b>	Catalogue: <b>07511</b>	Model: <b>ZL502C</b>
Brand: <b>Volvo</b>	Serial: <b>503001-503999</b>	Group/Section: <b>256/100</b>	Title: <b>Suction system, filter</b>

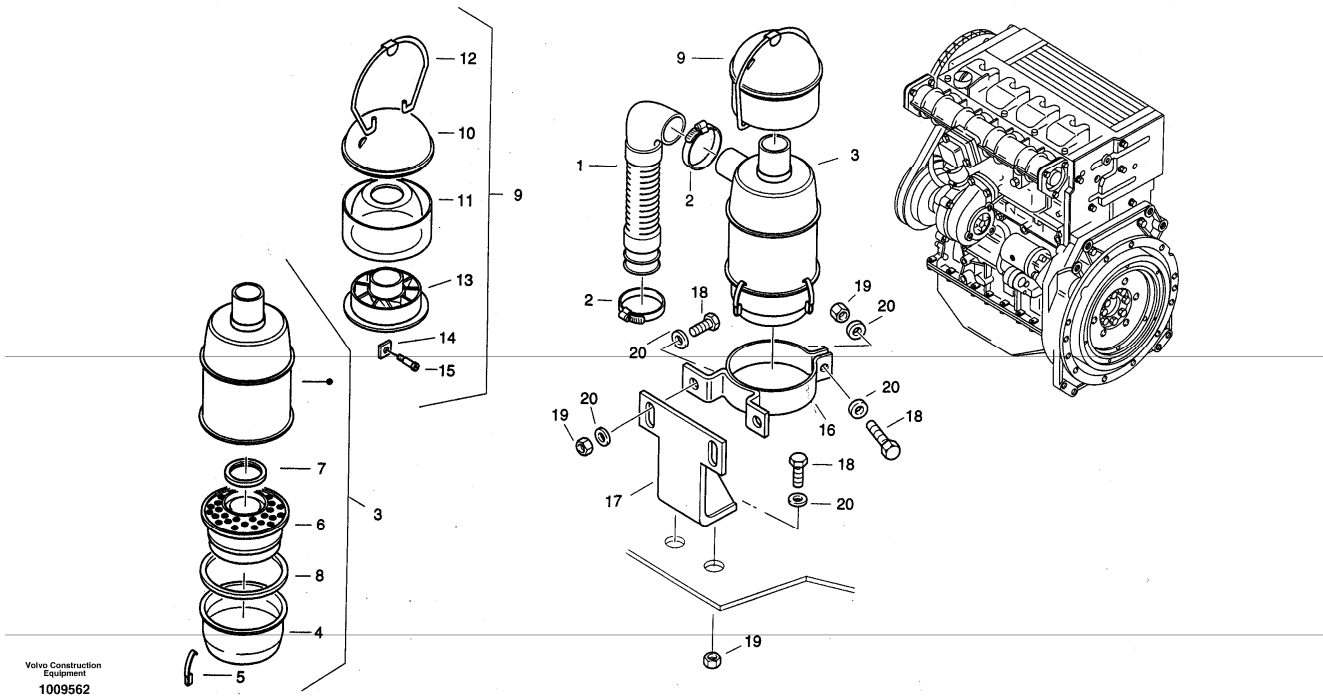


Volvo Construction  
Equipment  
1009560

Pos	Part	Q1	Q2	Q3	Q4	Q5	PS	Kit	Description	Option(s)	Remark
1	ZM2903605	4							Gasket		
2	ZM2904039	1					SS		Suction pipe		-0505000
2	VOE15047720	1							Suction pipe		(ZM2907511)0505001-
3	ZM2900002	8							Screw		
4	ZM2900003	2							O-ring		
5	ZM2900004	2							Flange		
6	ZM2904040	6					SS		Screw		
7	ZM7098010	6							Nut		M8
8	VOE20460026	1							Sealing ring		(ZM7099523)A22x27
9	ZM7099424	1							Screw plug		M22x1,5
10	ZM2903852	1							Gasket		-0505000
10	ZM2904466	1					SS		Gasket		0505001-
11	ZM4418073	1							Elbow		
12	VOE983242	2							Hexagon screw		M8x20
13	VOE20460026	1							Sealing ring		(ZM7099523)A22x27
14	ZM4065780	1							Support		
15	ZM2060784	1							Clip		AS50-70
16	ZM2806014	1							Hose		
17	ZM2060785	1							Clip		
18	ZM2815506	1							Warning switch		

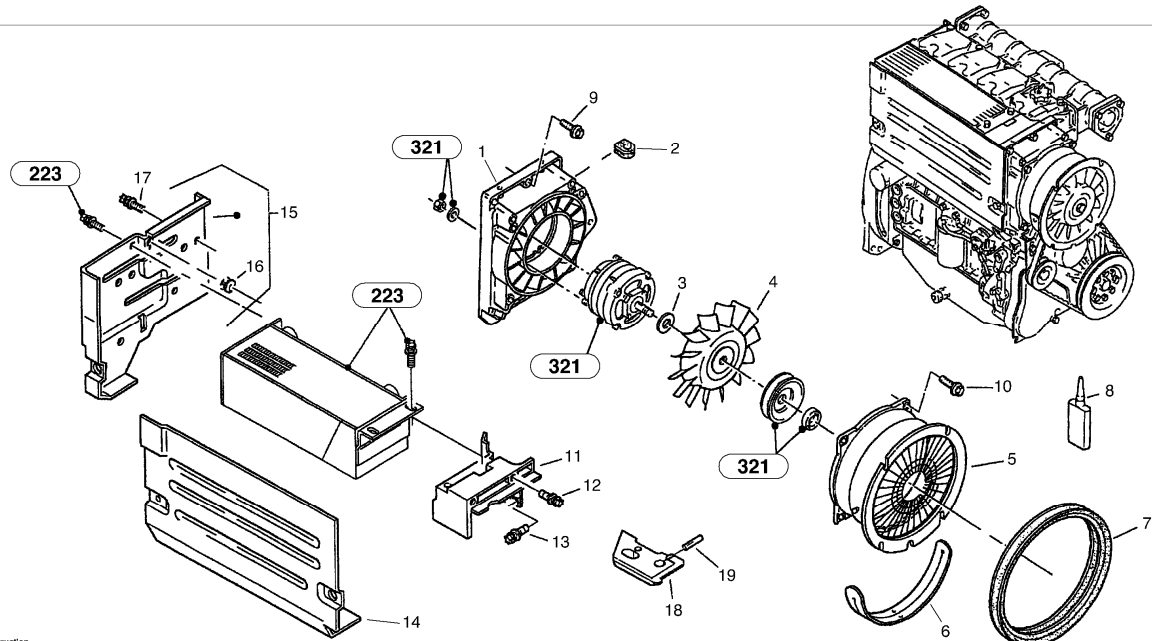
19	ZM2811086	1							Air filter		
20	ZM2903847	1							•Upper part		-0505000
21	ZM2903850	1							•Insert		
22	ZM2903849	1							•Micro-Top- Cartouche		
23	ZM2903846	1							•Under part		-0505000
23	ZM2907907	1							•Under part		0505001-
24	ZM2907908	1							•Ring		0505001-
25	ZM2061390	1							•Dust discharge valve		
26	ZM2804863	1							Retainer		
27	ZM2903851	1							•Spring		
28	VOE14370277	2							Hexagon screw		M8x40
29	VOE11305837	2							Washer		8,4
30	ZM7098010	2							Nut		M8
31	ZM2806244	1							Hose		
32	ZM2060785	2							Clip		AS70-90
33	ZM2804862	1							Cover		
34	ZM2061500	1							•Clip		
35	ZM4331116	1							•Screw		M6x25
36	ZM7098450	1							•Nut		M6
37	ZM2807864	1							Absorber		

Date: <b>2013/11/6</b>	Image id: <b>1009562</b>	Catalogue: <b>07511</b>	Model: <b>ZL502C</b>
Brand: <b>Volvo</b>	Serial: <b>503001-503999</b>	Group/Section: <b>256/200</b>	Title: <b>Prefilter - Oil bath air filter</b>



Pos	Part	Q1	Q2	Q3	Q4	Q5	PS	Kit	Description	Option(s)	Remark
1	ZM2806244	1							Hose		
2	ZM2060785	2							Clip		AS70-90
3	VOE11305643	1							Oil bath air cleaner		
4	ZM5027660	1							•Oil tank		
5	VOE6634778	3							•Latch		(ZM4053980)
6	ZM5027670	1							•Insertion		
7	ZM5027680	1							•Gasket		
8	VOE6611320	1							•Gasket		(ZM5027690)
9	VOE11305645	1							Cyclone cleaner		
10	ZM2133280	1							•Cover		
11	ZM2189680	1							•Pot		
12	ZM2133300	1							•Brace		
13	ZM2189690	1							•Wing wheel		
14	VOE6617832	1							•Nut		(ZM2123040)
15	ZM2136120	1							•Screw		
16	VOE11305642	1							Retainer		
17	ZM2804921	1							Retainer		
18	VOE983250	7							Hexagon screw		M10x20
19	ZM7098002	7							Nut		M10
20	VOE976945	10							Washer		B10,5

Date: <b>2013/11/6</b>	Image id: <b>1009782</b>	Catalogue: <b>07511</b>	Model: <b>ZL502C</b>
Brand: <b>Volvo</b>	Serial: <b>503001-503999</b>	Group/Section: <b>263/100</b>	Title: <b>Fan, Blower casing</b>



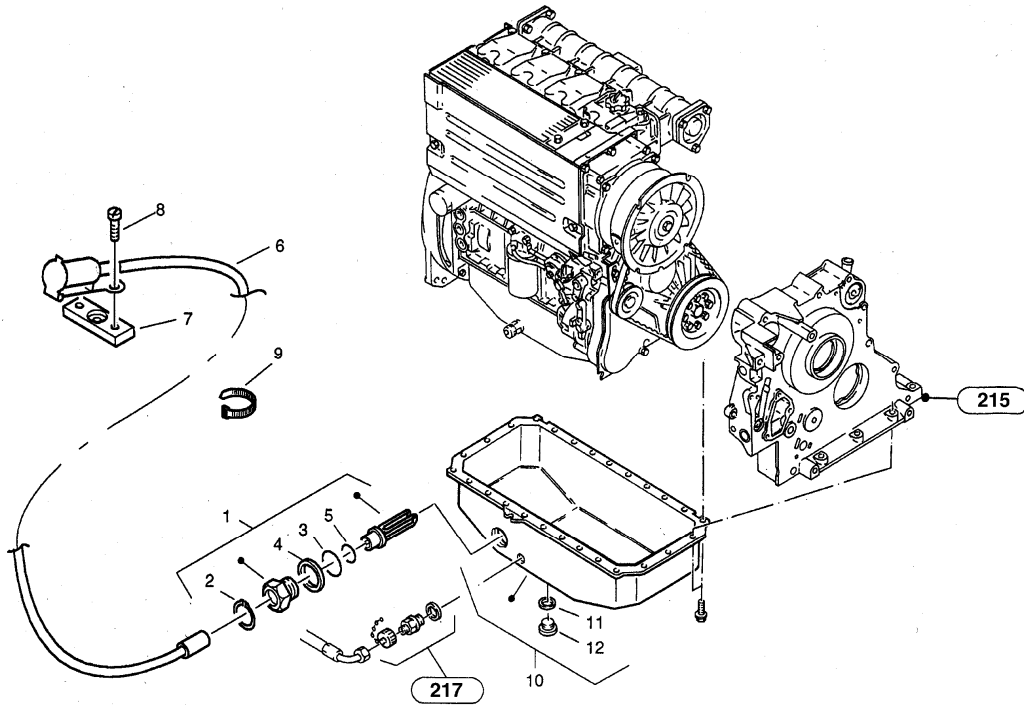
Volvo Construction  
Equipment  
1009782

Pos	Part	Q1	Q2	Q3	Q4	Q5	PS	Kit	Description	Option(s)	Remark
1	ZM2904153	1							Blower casing		
2	ZM2290294	2							Sleeve		
3	ZM2904151	1							Washer		5,0 mm
3	ZM2290289	REQ							Washer		5,5 mm
3	ZM2290290	REQ							Washer		6,0 mm
3	ZM2290291	REQ							Washer		6,5 mm
3	ZM2904152	REQ							Washer		7,0 mm
4	ZM2905391	1							Blower wheel		-0505000
4	ZM2905370	1							Fan		0505001-
5	ZM2904408	1							Blower casing		
5	VOE15053907	REQ							Cover		(ZM2900578)See footnote 2085)
6	ZM2905369	1							Gasket		
7	ZM2904157	1							Profiled joint		
8	ZM2904204	REQ					OP		Cement		
9	ZM2904159	3							Screw		
10	ZM2904749	4							Screw		
11	VOE11370071	1							Air guide		
12	ZM2904159	2							Screw		
13	ZM2901217	1							Screw		

14	ZM2905371	1							Hood		
15	VOE11370070	1							Plate		
16	ZM2259930	1							•Rubber spout		
17	ZM2904121	3							Screw		
18	VOE11715525	1							Profile		(ZM2904363)0505001-
19	ZM2904750	2							Clamping pin		0505001-

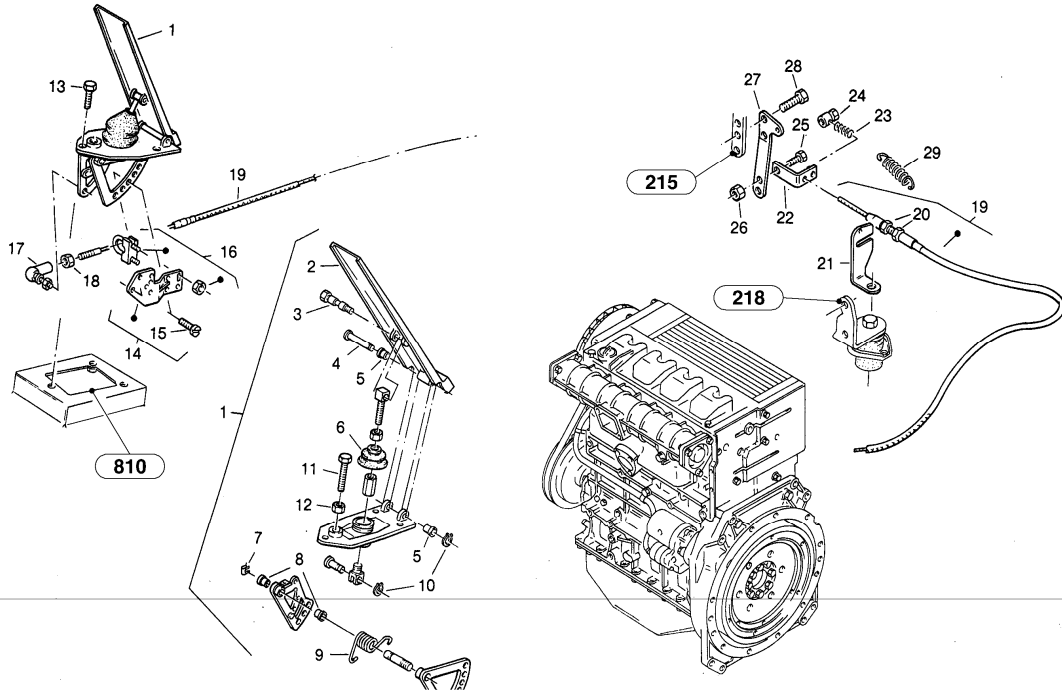
2085) with grating

Date: <b>2013/11/6</b>	Image id: <b>1009542</b>	Catalogue: <b>07511</b>	Model: <b>ZL502C</b>
Brand: <b>Volvo</b>	Serial: <b>503001-503999</b>	Group/Section: <b>269/100</b>	Title: <b>Motor oil preheating</b>



Pos	Part	Q1	Q2	Q3	Q4	Q5	PS	Kit	Description	Option(s)	Remark
1	ZM2800474	1							Radiator		
2	ZM2800839	1							•Safety ring		38x17,5
3	VOE21046233	1							•Sealing ring		
4	ZM2800832	1							•Gasket		
5	ZM2800838	1							•O-ring		
6	ZM2810486	1							Electric wire		
7	ZM2808091	1							Top Plate		
8	ZM7096665	2							Screw		
9	VOE4881438	3							Cable tie		
10	ZM2810253	1							Oil pan		
11	VOE13947624	2							•Plane gasket		(ZM7099511)A18x24
12	ZM7099428	1							•Screw plug		M18x1,5

Date: <b>2013/11/6</b>	Image id: <b>1009527</b>	Catalogue: <b>07511</b>	Model: <b>ZL502C</b>
Brand: <b>Volvo</b>	Serial: <b>503001-503999</b>	Group/Section: <b>271/100</b>	Title: <b>Speed control</b>



Volvo Construction  
Equipment  
1009527

Pos	Part	Q1	Q2	Q3	Q4	Q5	PS	Kit	Description	Option(s)	Remark
1	ZM4377101	1							Pedal, cpl.		
2	ZM2276990	1							•Plate		
3	ZM2277000	1							•Bolt		
4	ZM2277050	1							•Bolt		
5	ZM2284352	2							•Bush		
6	ZM2262600	1							•Boot		
7	ZM2277020	1							•Safety		
8	ZM2277010	2							•Bush		
9	ZM2277030	1							•Spring		
10	ZM7094870	2							•Safety		6x0,7
11	VOE14370276	1							•Screw		(ZM8095506)M8x60
12	ZM7098010	1							•Nut		M8
13	VOE13955272	3							Screw		M6x20
14	ZM4377096	2							Bearing		
15	ZM4331089	2							•Screw		M6x10
16	VOE11305476	1							Clamp		
17	VOE959079	1							Angle ball joint		AS10
18	ZM7098000	1							Nut		M6
19	ZM2807860	1							Cable		
20	ZM7098060	2							•Nut		BM10x1



**Suggest:**

**For more complete manuals. Please go to the home page.**

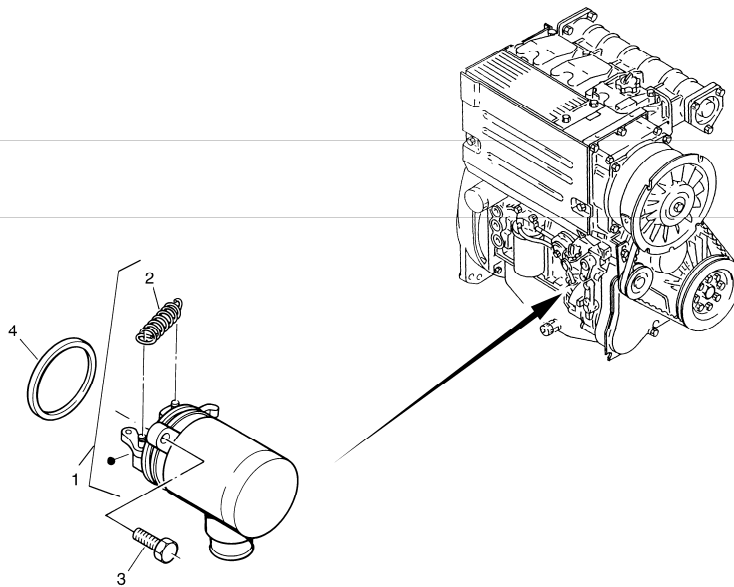
**<https://www.ebooklibonline.com>**

**If the above button click is invalid. Please download this document first, and then click the above link to download the complete manual.**

**Thank you so much for reading**

21	ZM4419605	1							Retainer		
22	VOE11305480	1							Retainer		
23	VOE11305484	1							Compression spring		
24	VOE11305483	1							Nipple		
25	VOE955268	1							Hexagon screw		M6x20
26	ZM7098392	1							Nut		M6
27	ZM4419602	1							Lever		
28	VOE13946544	2							Screw		M6x16
29	VOE11305482	1							Tension spring		

Date: <b>2013/11/6</b>	Image id: <b>1005505</b>	Catalogue: <b>07511</b>	Model: <b>ZL502C</b>
Brand: <b>Volvo</b>	Serial: <b>503001-503999</b>	Group/Section: <b>273/100</b>	Title: <b>Engine stop device</b>



Volvo Construction  
Equipment  
1005505

Pos	Part	Q1	Q2	Q3	Q4	Q5	PS	Kit	Description	Option(s)	Remark
1	ZM2904956	1							Engine stop device		
2	ZM2900497	1							•Wire spring		
3	VOE13955272	2							Screw		M6x20
4	ZM2290538	1							O-ring		

**<https://www.ebooklibonline.com>**

Hello dear friend!

Thank you very much for reading.

Enter the link into your browser.

The full manual is available for immediate download.

**<https://www.ebooklibonline.com>**