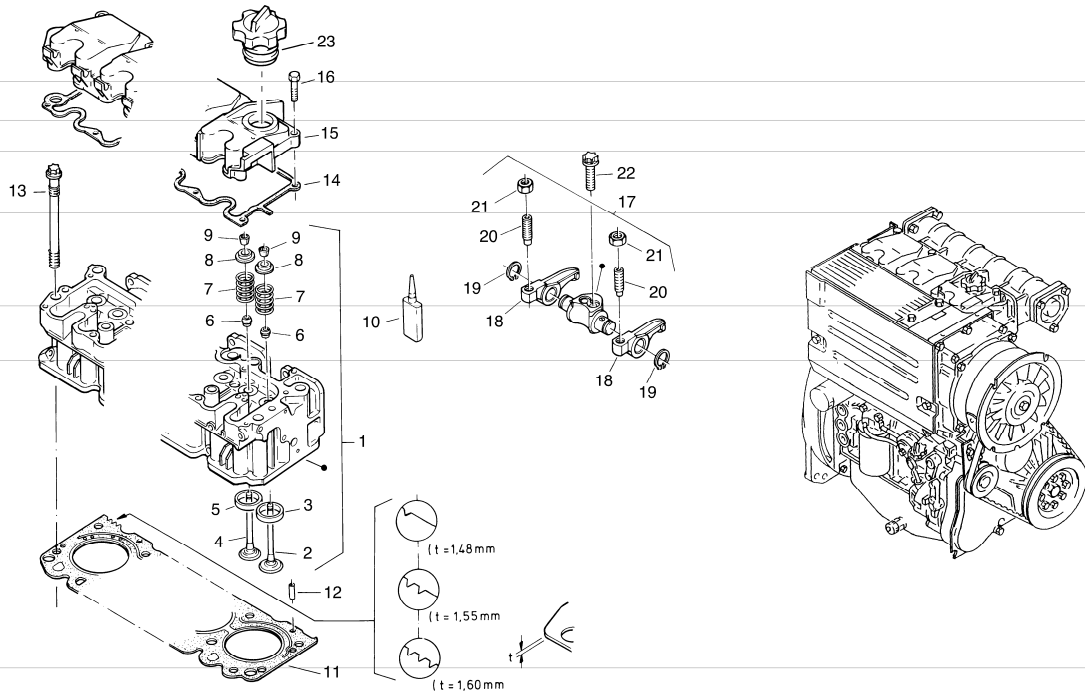


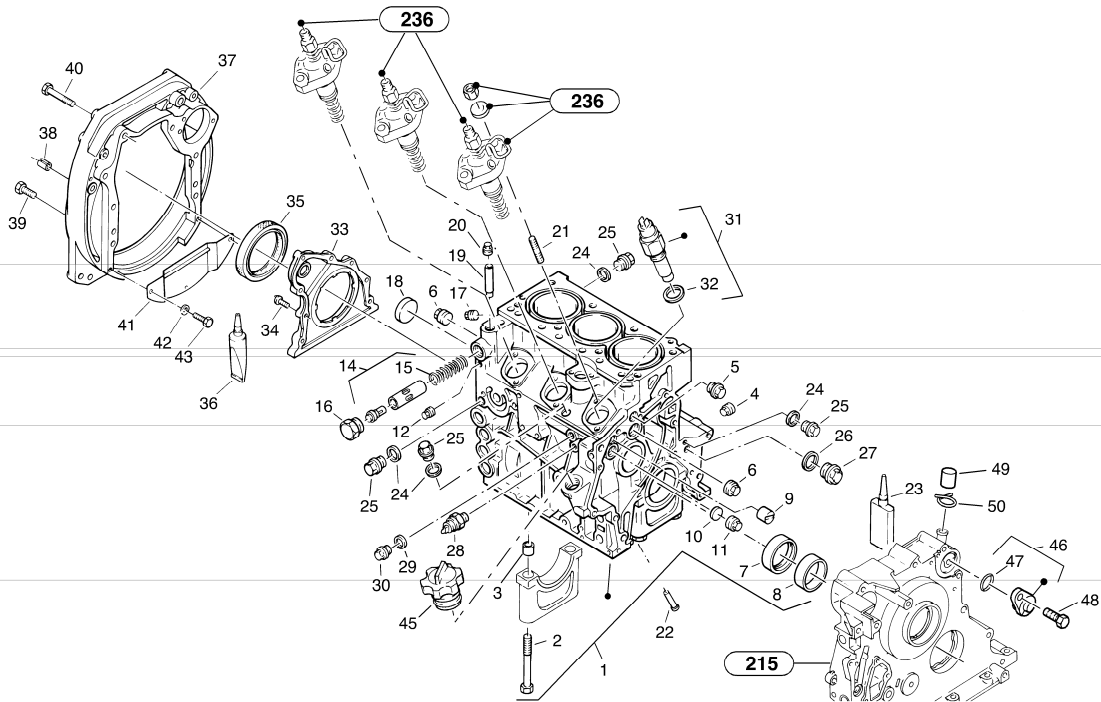
Date: 2013/11/6	Image id: 1005773	Catalogue: 07508	Model: ZL402C
Brand: Volvo	Serial: 6006001-6009999	Group/Section: 211/100	Title: Cylinder head



Volvo Construction
Equipment
1005773

Pos	Part	Q1	Q2	Q3	Q4	Q5	PS	Kit	Description	Option(s)	Remark
1	ZM2908489	1					SS		Cylinder head		(ZM2904367)-6010151
1	VOE15047777	1							Cylinder head		(ZM2908495)6010152-
2	ZM2290501	3							•Inlet valve		-6010151
2	ZM2908491	3							•Inlet valve		6010152-
3	ZM2290534	3							•Valve seat ring		42,87 mm, -6010151
3	VOE11370185	3							•Valve seat ring		(ZM2908494)42,87 mm, 6010152-
4	ZM2904090	3							•Exhaust Valve		-6010151
4	ZM2908492	3							•Exhaust Valve		6010152-
5	ZM2290500	3							•Valve seat ring		37,37 mm
6	VOE20459855	6							•Valve seal		
7	ZM2904091	6							•Pressure spring		
8	ZM2290505	6							•Spring Disc		-6010151
8	VOE15053220	6							•Washer		(ZM2908493)6010152-
9	VOE20459857	12							•Valve sleeve		
10	ZM2903912	REQ					OP		Locking agent		
11	ZM2904369	1							Cylinder head gasket		1,48 mm, -6010151
11	ZM2908486	1							Cylinder head gasket		1,48 mm, 6010152-
11	ZM2904370	REQ							Cylinder head gasket		1,55 mm, -6010151

Date: 2013/11/6	Image id: 1005741	Catalogue: 07508	Model: ZL402C
Brand: Volvo	Serial: 6006001-6009999	Group/Section: 212/100	Title: Engine housing



Volvo Construction
Equipment
1005741

Pos	Part	Q1	Q2	Q3	Q4	Q5	PS	Kit	Description	Option(s)	Remark
1	ZM2904366	1							Crankcase		
2	ZM2290540	8							•Hexagon screw		
3	ZM4010300	8							•Bushing		
4	VOE20860215	1							•Screw		(ZM2905340)
5	ZM2904050	1							•Screw plug		
6	ZM2908480	2							•Screw plug		
7	ZM2904048	2							•Bearing bush		
8	VOE20795762	3							•Bearing Bushing		
9	VOE15053296	2							•Guide sleeve		(ZM2290541)
10	ZM8092104	1							•Hood		16
11	ZM2905346	1							•Screw plug		
12	ZM2905343	1							•Screw plug		
14	ZM2904169	1							•Thermostat		
15	ZM2904053	1							•Pressure spring		
16	ZM2905345	1							•Screw plug		
17	VOE20405718	1							•Plug		
18	VOE20882154	1							•Plug		(ZM7092106)28
19	ZM2904051	1							•Tube		
20	ZM2905344	1							•Screw plug		
21	ZM8097406	6							•Pin screw		M8x20

<https://www.ebooklibonline.com>

Hello dear friend!

Thank you very much for reading.

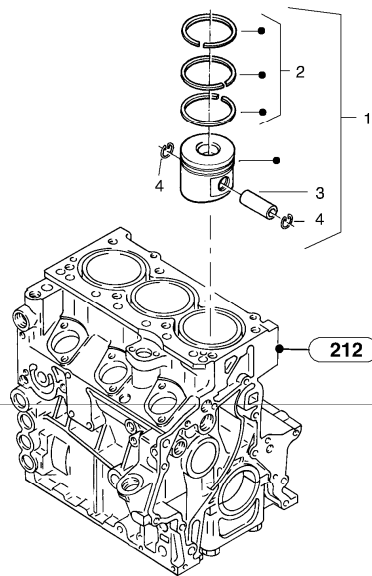
Enter the link into your browser.

The full manual is available for immediate download.

<https://www.ebooklibonline.com>

22	ZM2904056	6						Piston cooling jet		
23	ZM2904058	REQ						Locking agent		
24	VOE11700631	4						Sealing ring		(ZM7099530)A10x16
25	ZM8099416	4						Screw plug		M10x1
26	VOE13947624	1						Plane gasket		(ZM7099511)A18x24
27	VOE20405506	1						Plug		M18x1,5
28	ZM4053531	1					SS	Oil pressure switch		-6010151
28	ZM2905379	1						Oil pressure switch		6010152-
29	VOE13947624	1						Plane gasket		(ZM7099511)A18x24
30	VOE11305512	1						Lock plug		AM18x1,5
31	ZM2904059	1						Temperature transmitter		
32	VOE13947621	1						•Plane gasket		A14x18
33	ZM2292219	1						Cover rear		
34	ZM2290455	8						Screw		
35	ZM2292220	1						Radial seal		
36	ZM4084070	REQ						Sealant		
37	ZM2290560	1						Intermediate housing		-6007081, SB 10.098
37	ZM2905335	1						Intermediate housing		6007082-, SB 10.098
38	ZM2290547	2						Bushing		
39	VOE11306530	5						Hexagon screw		(ZM8096638)M12x35
40	ZM8096602	3						Screw		M12x75
41	ZM2290561	1						Cover plate		
42	VOE955892	3						Washer		6,4x12x1,5
43	VOE955268	3						Hexagon screw		M6x10
45	ZM2904064	1						Filler cap		
46	ZM2904065	1						Valve		
47	ZM2904066	1						•O-ring		
48	ZM7095068	1						Screw		M6x25
49	ZM2904067	1					OP	Cap		
50	ZM2290447	1						Clamp		

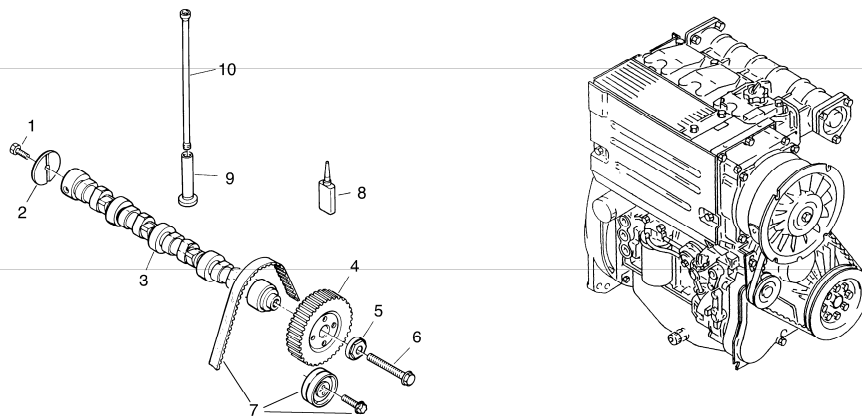
Date: 2013/11/6	Image id: 1005794	Catalogue: 07508	Model: ZL402C
Brand: Volvo	Serial: 6006001-6009999	Group/Section: 213/100	Title: Piston



Volvo Construction
Equipment
1005794

Pos	Part	Q1	Q2	Q3	Q4	Q5	PS	Kit	Description	Option(s)	Remark
1	ZM2904376	3							Piston		-A-
1	ZM2904377	REQ							Piston		-B-
1	ZM2904378	REQ							Piston		-C-
2	ZM2904115	1						K	•Piston Ring Kit		
3	ZM2290427	1							•Bolt		
4	ZM2290428	2					SS		•Safety ring		C26x1,5

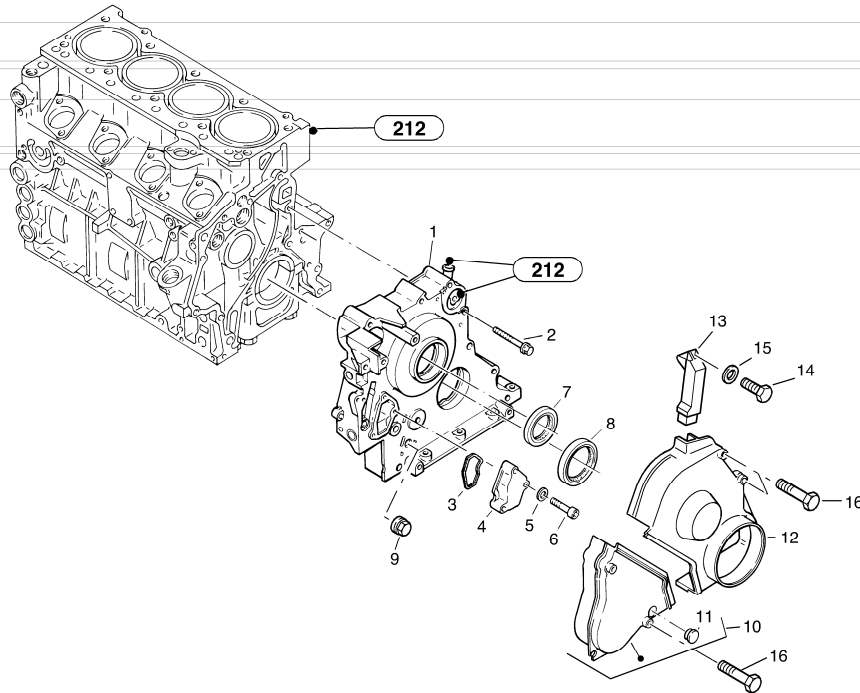
Date: 2013/11/6	Image id: 1005774	Catalogue: 07508	Model: ZL402C
Brand: Volvo	Serial: 6006001-6009999	Group/Section: 215/100	Title: Camshaft



Volvo Construction
Equipment
1005774

Pos	Part	Q1	Q2	Q3	Q4	Q5	PS	Kit	Description	Option(s)	Remark
1	VOE11700503	1							Screw		(ZM2908500)
2	ZM2290517	1							Spacer disc		
3	ZM2904374	1							Camshaft		-6010151
3	ZM2908501	1							Camshaft		6010152-/-6011003
3	ZM2908530	1							Camshaft		6011004-
4	ZM2290519	1							Toothed belt wheel		
5	ZM2290522	1							Washer		
6	VOE20797281	1							Hexagon screw		M14x1,5x110
7	ZM2904890	1						K	Repair kit (toothed belt)		
8	ZM2903828	REQ						OP	Locking agent		
9	ZM2904101	2							Valve tappet		
10	ZM2290524	2							Push rod		

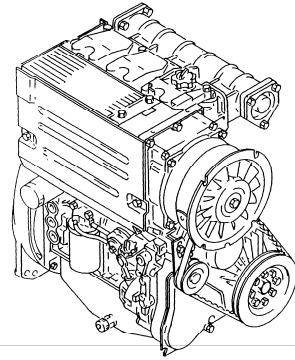
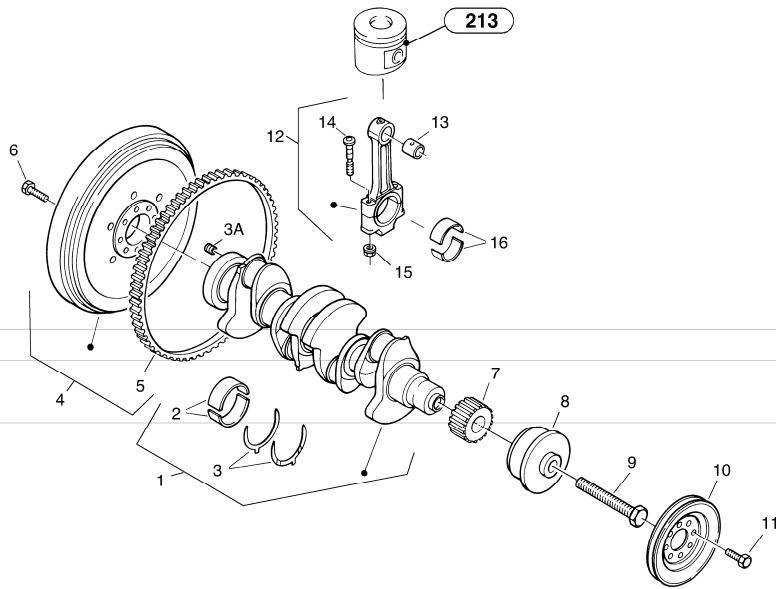
Date: 2013/11/6	Image id: 1005772	Catalogue: 07508	Model: ZL402C
Brand: Volvo	Serial: 6006001-6009999	Group/Section: 215/200	Title: Timing gear housing (front cover)



Volvo Construction
Equipment
1005772

Pos	Part	Q1	Q2	Q3	Q4	Q5	PS	Kit	Description	Option(s)	Remark
1	ZM2904069	1							Front cover		
2	ZM2908498	11							Screw		
3	ZM2904068	1							Profil gasket		
4	ZM2904070	1							Cover		
5	ZM7098752	3					SS		Washer		B6,4
6	ZM7096552	3							Screw		M6x35
7	ZM2291470	1							Seal		
8	ZM2290458	1							Seal		
9	ZM8096511	1							Screw plug		M14x1,5
10	ZM2905384	1							Protective hood		
11	ZM2904072	1							•Plug		
12	ZM2904361	1					OP		Protective hood		-6010151
12	ZM2290487	1							Protective hood		6010152-
13	ZM2900130	1					SS		Air duct		
14	ZM2900131	1							Screw		
15	ZM2908499	1					SS		Washer		
16	VOE955282	4							Hexagon screw		M6x70

Date: 2013/11/6	Image id: 1005783	Catalogue: 07508	Model: ZL402C
Brand: Volvo	Serial: 6006001-6009999	Group/Section: 216/100	Title: Crankshaft

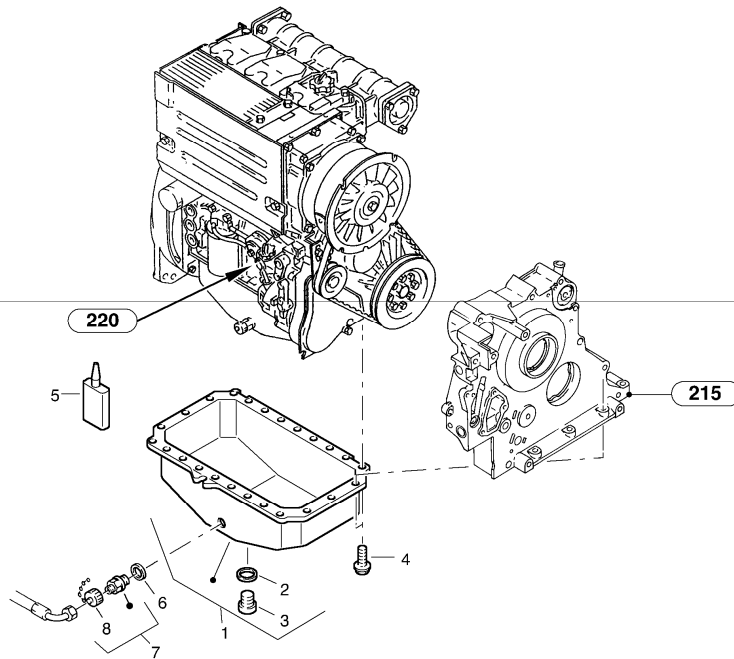


Volvo Construction
Equipment
1005783

Pos	Part	Q1	Q2	Q3	Q4	Q5	PS	Kit	Description	Option(s)	Remark
1	ZM2292191	1							Crankshaft		-6010151
1	ZM2908520	1							Crankshaft		6010152-
2	ZM2290400	4							•Crankshaft bearing		70,00 mm
2	ZM2900539	REQ							•Crankshaft bearing		69,75 mm
2	ZM2290402	REQ							•Crankshaft bearing		69,50 mm
3	VOE20944762	1							•Thrust Washer		2,4 mm
3	VOE20944769	REQ							•Thrust Washer		2,6 mm
3A	ZM2904375	REQ							Thread Insert		
4	ZM2904103	1					SS		Fly wheel		-6010151
4	ZM2908483	1							Flywheel		6010152-/-6011039
4	ZM2908532	1							Flywheel		6011040-
5	ZM2904104	1							•Gear ring		-6011039
5	ZM2908533	1							•Gear ring		6011040-
6	ZM2290407	8							Screw		
7	ZM2290408	1							Toothed belt wheel		
8	ZM2904102	1							Flange		
9	ZM2290411	1							Screw		
10	ZM2290412	1							V-belt pulley		
11	ZM2908482	4							Screw		
12	ZM2904105	3					SS		Connecting rod		

13	ZM2290416	1							•Bushing		29,06-29,10 mm
13	ZM2904108	1							•Bushing		29,31-29,35 mm
14	ZM2904106	2							•Screw		
15	ZM2290415	2							•Nut		
16	ZM2290417	3							Big end bearing		55,00 mm
16	ZM2290418	REQ							Big end bearing		54,75 mm
16	ZM2908484	REQ							Big End Brg Shl		(ZM2290419)54,50 mm

Date: 2013/11/6	Image id: 1005745	Catalogue: 07508	Model: ZL402C
Brand: Volvo	Serial: 6006001-6009999	Group/Section: 217/100	Title: Oil sump

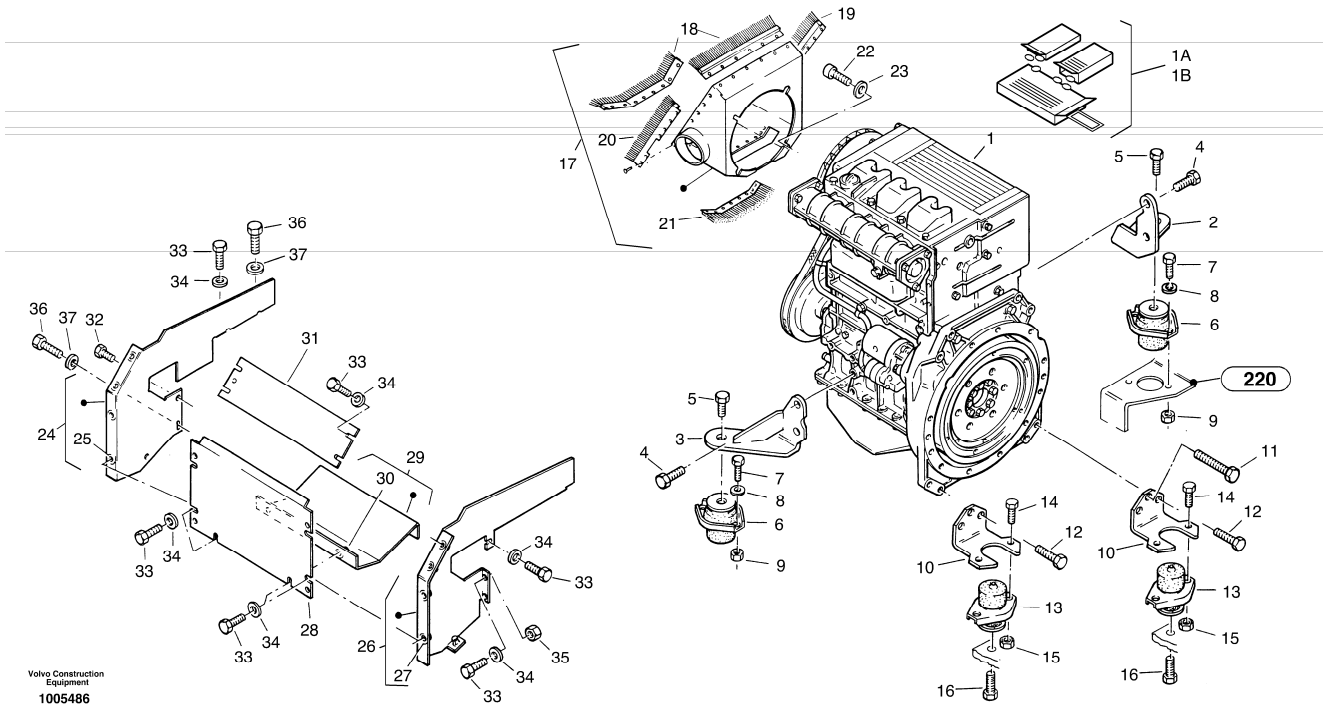


Volvo Construction
Equipment
1005745

Pos	Part	Q1	Q2	Q3	Q4	Q5	PS	Kit	Description	Option(s)	Remark
1	ZM2904357	1							Oil Pan		-6011003
1	ZM2908531	1							Oil Pan		6011004-
1	ZM2908521	1							Oil Pan		See footnote 1362) -6011003
2	VOE13947624	1							•Plane gasket		(ZM7099511)A18x24
3	ZM7099428	1							•Screw plug		M18x1,5
4	ZM2292234	22							Screw		
5	ZM2903926	REQ							Sealing compound		
6	VOE13947624	1							Plane gasket		(ZM7099511)A18x24
7	ZM4384256	1							Valve		
8	ZM2285689	1							•Chain with cap		

1362) with Engine oil preheating

Date: 2013/11/6	Image id: 1005486	Catalogue: 07508	Model: ZL402C
Brand: Volvo	Serial: 6006001-6009999	Group/Section: 218/100	Title: Engine assy

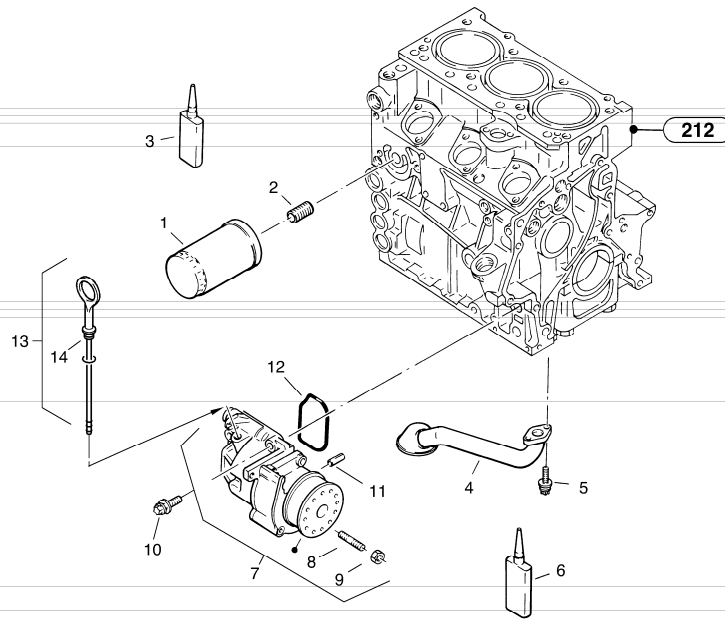


Pos	Part	Q1	Q2	Q3	Q4	Q5	PS	Kit	Description	Option(s)	Remark
1	ZM2814026	1							Engine, cpl.		
1A	ZM2906907	1						K	Gasket Kit		See footnote 1417)
1B	VOE15056674	1						K	Gasket kit		(ZM2908517)See footnote 1418)
2	ZM4419579	1							Bearing block		
3	ZM4419577	1							Bearing block		
4	ZM4326456	4					SS		Screw		M14x30
5	VOE978932	2							Hexagon screw		M12x30
6	VOE11306533	2							Buffer		(ZM4381063)
7	VOE983251	4							Hexagon screw		M10x25
8	ZM949523	4							Washer		10,5
9	ZM983304	4							Nut		M10
10	ZM4417670	2							Bearing block		
11	ZM2800578	1							Screw		M14x60
12	ZM4326456	5					SS		Screw		M14x30
13	VOE11306533	2							Buffer		(ZM4381063)
14	VOE983251	4							Hexagon screw		M10x25
15	VOE983304	4							Hexagon nut		M10
16	ZM4326457	2							Screw		M12x45
17	ZM2800160	1							Air Duct		

18	ZM2800487	2							•Brush		
19	ZM2800485	1							•Brush		
20	ZM2800486	1							•Brush		
21	ZM2800488	1							•Brush		
22	ZM7097900	4							Screw		M8x30
23	VOE955894	4					SS		Washer		B8,4
24	ZM2802786	1							Air deflector guide		
25	VOE977222	5							•Rivet nut		
26	ZM2802784	1							Air deflector guide		
27	ZM4337111	5					SS		•Rivet Nut		
28	ZM2800799	1							Air deflector guide		
29	ZM2800798	1							Air deflector guide		
30	ZM4337111	2					SS		•Rivet Nut		
31	ZM2800800	1							Air deflector guide		
32	VOE955268	1							Hexagon screw		M6x10
33	VOE13946544	16							Screw		(ZM7095002)M6x16
34	ZM7099093	16							Washer		B6,4
35	ZM7098000	3							Nut		M6
36	VOE983242	2							Hexagon screw		M8x20
37	VOE955894	2					SS		Washer		B8,4

- 1417) Basic Engine
1418) Cylinder Head

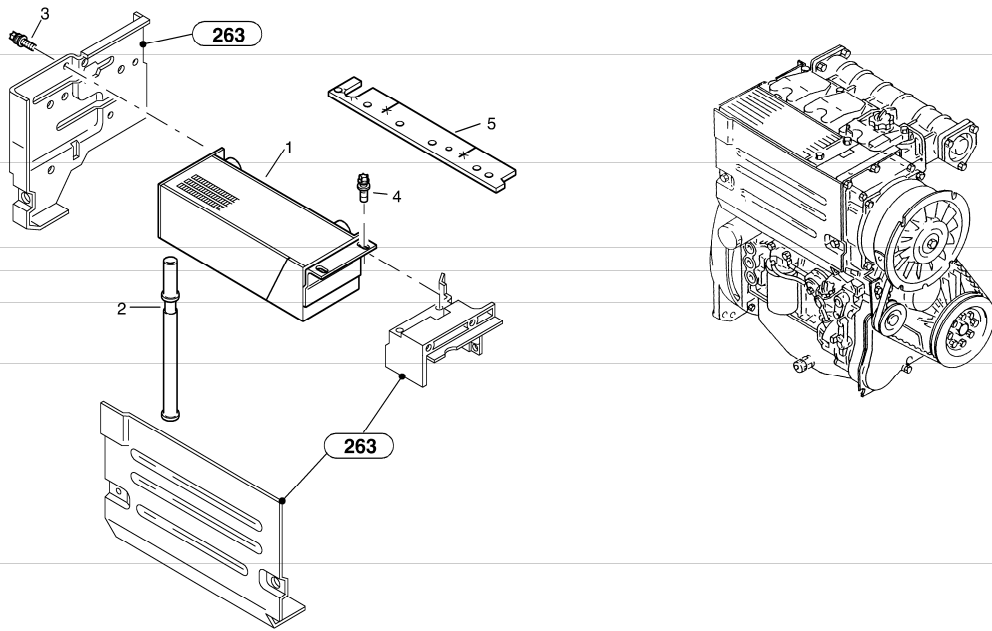
Date: 2013/11/6	Image id: 1006098	Catalogue: 07508	Model: ZL402C
Brand: Volvo	Serial: 6006001-6009999	Group/Section: 220/100	Title: Oil pump, oil filter



Volvo Construction
Equipment
1006098

Pos	Part	Q1	Q2	Q3	Q4	Q5	PS	Kit	Description	Option(s)	Remark
1	ZM2904941	1							Oil filter		
2	ZM2290250	1							Bushing		
3	VOE20464471	REQ							Locking fluid		
4	ZM2904763	1					OP		Oil suction pipe		
5	ZM2908507	2							Screw		
6	ZM2903828	REQ					OP		Locking agent		
7	ZM2905142	1							Oil Pump		
8	ZM2908502	1							•Screw Nail		
9	ZM2908503	1					SS		•Nut		
10	ZM2904117	4							Screw		
11	ZM2904118	2							Clamping pin		
12	ZM2904119	1							Gasket		
13	ZM2905170	1							Oil dipstick		-6010151
13	ZM2905172	1							Dipstick		6010152-
14	ZM2905171	1							•O-ring		

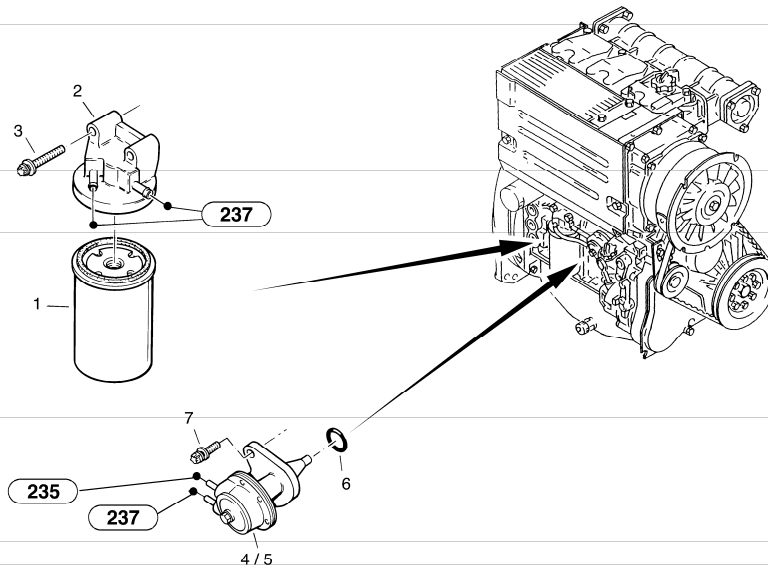
Date: 2013/11/6	Image id: 1005797	Catalogue: 07508	Model: ZL402C
Brand: Volvo	Serial: 6006001-6009999	Group/Section: 223/100	Title: Oil cooler



Volvo Construction
Equipment
1005797

Pos	Part	Q1	Q2	Q3	Q4	Q5	PS	Kit	Description	Option(s)	Remark
1	VOE15131204	1							Oil cooler		(ZM2904356)-6010151
1	ZM2904356	1							Oil Cooler		(ZM2908504)6010152-
2	ZM2904123	2							Insert pipe		
3	ZM2904121	2							Screw		
4	ZM2908505	2					SS		Screw		
5	ZM2908506	1							Sealing strip		6010152-

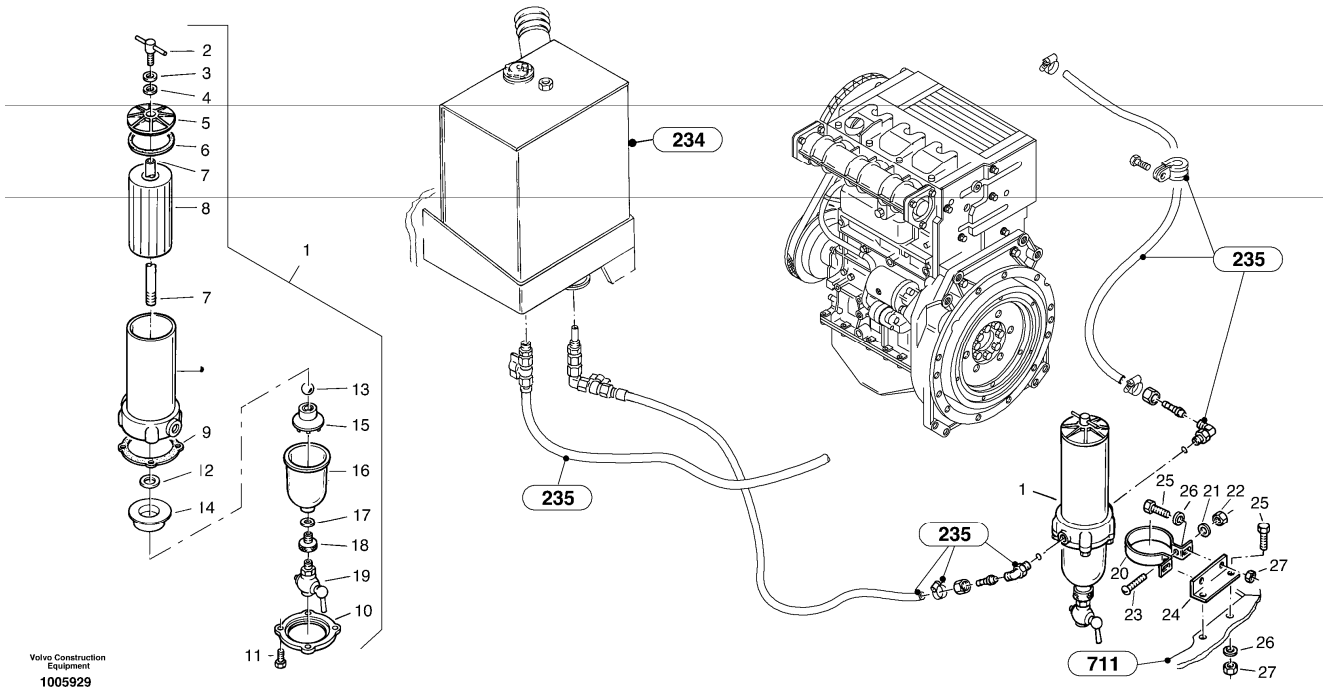
Date: 2013/11/6	Image id: 1005814	Catalogue: 07508	Model: ZL402C
Brand: Volvo	Serial: 6006001-6009999	Group/Section: 233/100	Title: Fuel filter - Feed pump



Volvo Construction
Equipment
1005814

Pos	Part	Q1	Q2	Q3	Q4	Q5	PS	Kit	Description	Option(s)	Remark
1	ZM2800784	1							Fuel Filter		
2	ZM2904125	1							Bracket		
3	ZM2291482	2							Screw		
4	ZM2904380	1							Feed pump		
5	ZM2904381	REQ						K	Repair kit		
6	ZM2290370	1							O-ring		
7	ZM2904137	2							Screw		

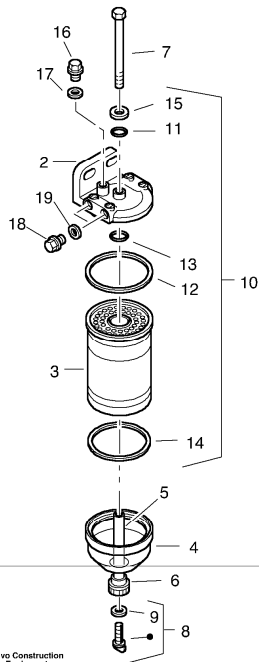
Date: 2013/11/6	Image id: 1005929	Catalogue: 07508	Model: ZL402C
Brand: Volvo	Serial: 6006001-6009999	Group/Section: 233/200	Title: Filter - Water separator



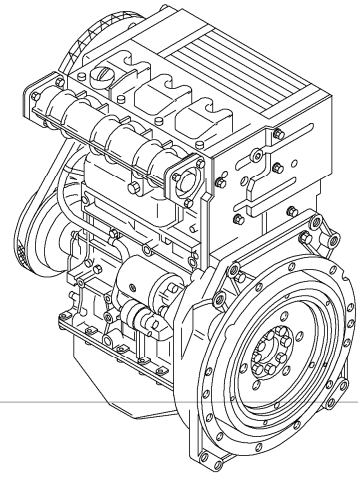
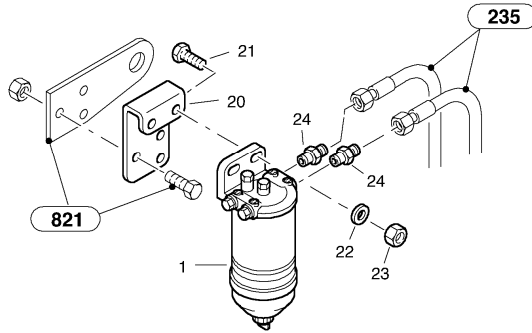
Pos	Part	Q1	Q2	Q3	Q4	Q5	PS	Kit	Description	Option(s)	Remark
1	ZM2284761	1							Filter		
2	ZM2284762	1							•Screw		
3	ZM2284763	1							•Washer		
4	ZM2284764	1							•Gasket		
5	ZM2284765	1							•Cover		
6	ZM2284766	1							•Gasket		
7	ZM2284767	1							•Pin		
8	ZM2284769	1							•Filter cartridge		
9	ZM2284770	1							•Gasket		
10	ZM2284771	1							•Ring		
11	ZM2284772	4					OP		•Screw		
12	ZM2284773	1							•Gasket		
13	ZM2284774	1							•Ball		
14	ZM2284775	1							•Cone		
15	ZM2284776	1							•Centrifuge		
16	VOE14534866	1							•Bowl		(ZM2284777)
17	ZM2284778	1							•Gasket		
18	ZM2284779	1							•Screw		
19	ZM2903698	1							•Outlet cock		
20	ZM2284781	1							Clip		

21	ZM2284782	1							Washer		
22	ZM2284783	1							Nut		
23	ZM2284784	1							Screw		
24	ZM2807172	1							Holder		
25	VOE983243	4							Hexagon screw		M8x25
26	VOE955894	4					SS		Washer		B8,4
27	ZM7098010	4							Nut		M8

Date: 2013/11/6	Image id: 1005960	Catalogue: 07508	Model: ZL402C
Brand: Volvo	Serial: 6006001-6009999	Group/Section: 233/300	Title: Filter - Water separator - Lucas version



Volvo Construction
Equipment
1005960



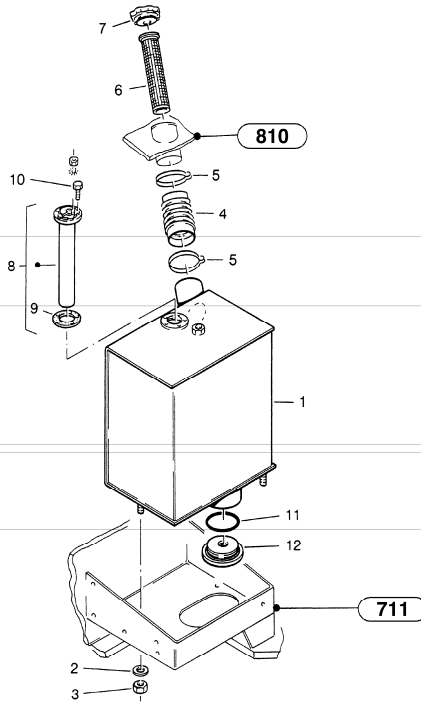
Q1-Q5	Option	Option description	
Q1 6009027-			See footnote 1615)

Pos	Part	Q1	Q2	Q3	Q4	Q5	PS	Kit	Description	Option(s)	Remark
1	ZM2807872	1							Fuel filter		SB 10.107
2	ZM2905307	1					SS		•Filter head		
3	ZM2905298	1							•Filter cartridge		
4	ZM2905299	1							•Sight glass		
5	ZM2905300	1							•Knurled head screw		
6	VOE7242081	1							•Washer		(ZM2905301)
7	ZM2905302	1							•Screw		
8	VOE242595	1							•Plug		(ZM2905304)
9	VOE7242081	1							•Washer		(ZM2905301)
10	ZM2905306	1						K	•Gasket set, cpl.		
11	ZM2905308	1							••O-ring		
12	ZM2905309	1							••Gasket		
13	ZM2905310	1							••O-ring		
14	ZM2905311	1							••Gasket		
15	ZM2905312	1							••Washer		
16	ZM2905313	1							•Screw		
17	ZM2164940	1							•Seal		A10x14

18	ZM7099404	2							•Lock Plug		AM14x1,5
19	ZM2905314	2							•Seal		
20	ZM2814119	1							Retainer		
21	ZM7094813	2					SS		Screw		M10x25
22	ZM7098741	2					SS		Washer		B10,5
23	VOE983304	4							Hexagon nut		M10
24	VOE11306928	2							Stud		L10MB

1615) Also by machine no. 6008112

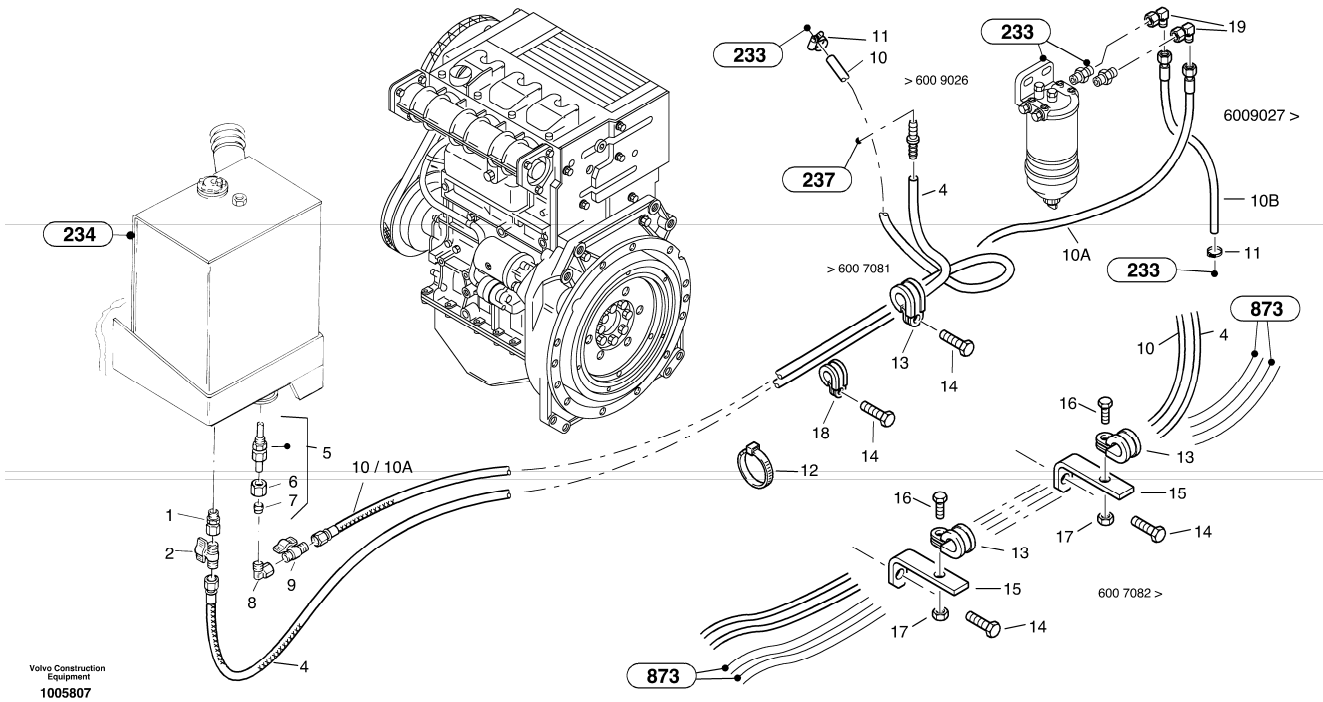
Date: 2013/11/6	Image id: 1005799	Catalogue: 07508	Model: ZL402C
Brand: Volvo	Serial: 6006001-6009999	Group/Section: 234/100	Title: Fuel tank



Volvo Construction
Equipment
1005799

Pos	Part	Q1	Q2	Q3	Q4	Q5	PS	Kit	Description	Option(s)	Remark
1	ZM4419409	1					OP		Fuel tank		
2	ZM4333064	3							Washer		13
3	VOE981315	3							Lock nut		M12
4	ZM2817766	1					SS		Hose		
5	VOE943482	2							Hose clamp		(ZM5143039)
6	ZM2800816	1							Fuel strainer		
7	ZM2909958	1							Filler cap		
8	ZM2115980	1							Combined tank unit		
9	ZM2112440	1							•Gasket		
10	VOE955246	5							Hexagon screw		M5x16
11	ZM8098889	1							O-ring		90x5A
12	ZM4417474	1							Cover		

Date: 2013/11/6	Image id: 1005807	Catalogue: 07508	Model: ZL402C
Brand: Volvo	Serial: 6006001-6009999	Group/Section: 235/100	Title: Fuel pipes



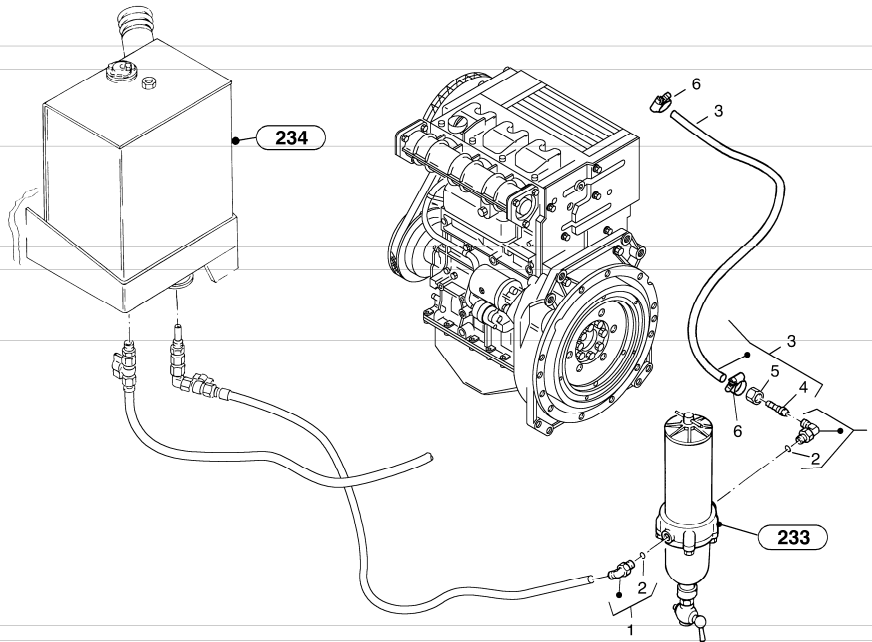
Pos	Part	Q1	Q2	Q3	Q4	Q5	PS	Kit	Description	Option(s)	Remark
1	VOE11305032	1							Fitting		
2	ZM4363352	1							Valve		
4	ZM2800972	1					OP		Hose		
5	ZM2800302	1							Connector		
6	VOE956983	1							•Fitting		AL10
7	VOE980781	1							•Ferrule		L10
8	VOE9453577	1							Angular fitting		L10
9	ZM4363352	1							Valve		
10	ZM2800377	1							Hose		See footnote 1614) -6009026
10A	ZM4402628	1							Hose		See footnote 1615) 6009027-
10B	ZM2800377	1							Hose		See footnote 1615) 6009027-
11	ZM2060781	1							Clip		AL8-12
12	ZM2193590	4							Cable clip		
13	ZM4383294	1							Clip		-6007081, SB 10.098
13	ZM5052670	2							Clip		6007082-, SB 10.098
14	VOE983250	1							Hexagon screw		M10x20, -6007081 SB 10.098
14	ZM7096650	2							Screw		M12x20, 6007082- SB

											10.098
15	ZM2806034	2							Retainer		6007082-, SB 10.098
16	VOE983242	1							Hexagon screw		M8x20, 6007082- SB 10.098
17	ZM7098010	2							Nut		M8, 6007082- SB 10.098
18	ZM4383294	1							Clip		-6007081, SB 10.098
19	VOE13945357	2							Elbow nipple		L10, 6009124-

1614) Not by machine no. 6008112

1615) Also by machine no. 6008112

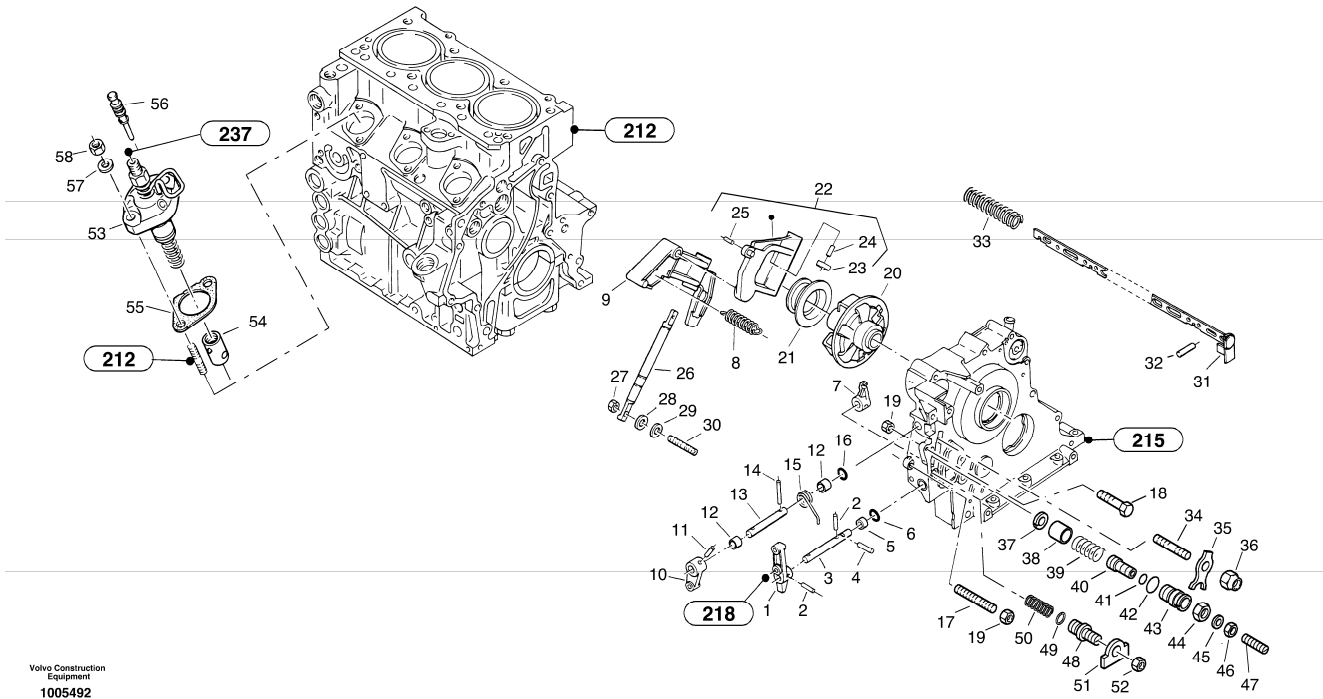
Date: 2013/11/6	Image id: 1005958	Catalogue: 07508	Model: ZL402C
Brand: Volvo	Serial: 6006001-6009999	Group/Section: 235/200	Title: Fuel pipes



Volvo Construction
Equipment
1005958

Pos	Part	Q1	Q2	Q3	Q4	Q5	PS	Kit	Description	Option(s)	Remark
1	ZM4339820	2					OP		Fitting		
2	ZM1034751	1							•O-ring		11,3x2,4
3	ZM2807173	1							Hose		
4	ZM4383357	1							•Nipple		
5	ZM7092531	1							•Nut		BLL10
6	ZM2060781	2							Clip		AL8-12 C 6

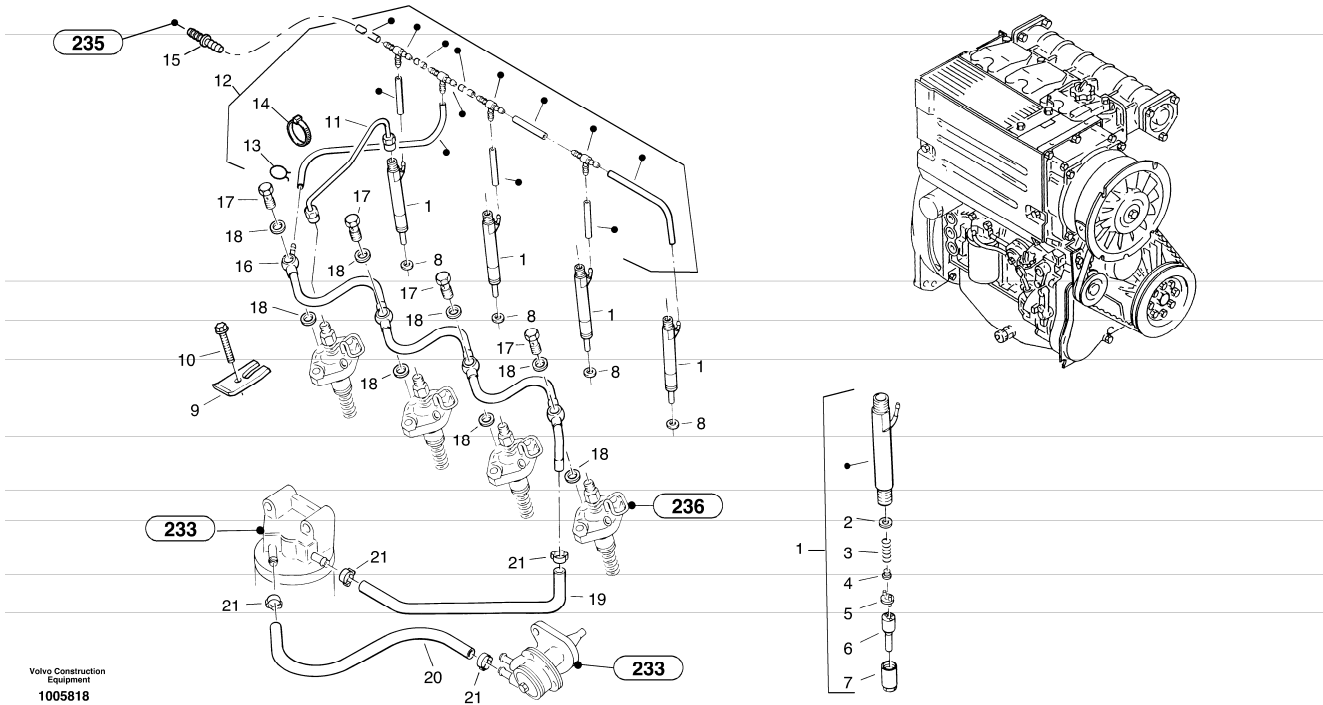
Date: 2013/11/6	Image id: 1005492	Catalogue: 07508	Model: ZL402C
Brand: Volvo	Serial: 6006001-6009999	Group/Section: 236/100	Title: Speed adjustment - Fuel injection pump



Pos	Part	Q1	Q2	Q3	Q4	Q5	PS	Kit	Description	Option(s)	Remark
1	ZM2904077	1							Lever		
2	ZM7099461	2							Clamping pin		5x20
3	ZM2291460	1							Regulator lever shaft		
4	ZM2292257	1							Bolt		
5	ZM2290478	1					SS		Sleeve		
6	ZM2904075	1					SS		O-ring		
7	ZM2900507	1							Lever		
8	ZM2292256	1							Wire spring		
9	VOE11370648	1							Hand lever		(ZM2290472)
10	ZM2290482	1							Stop lever		
11	ZM7099461	1							Clamping pin		5x20
12	ZM2290478	2					SS		Sleeve		
13	ZM2292255	1							Lever shaft		
14	ZM2291481	1							Pin		5x45
15	ZM2291464	1							Torsion spring		
16	ZM2291459	1							O-ring		
17	VOE15051912	1							Set screw		(ZM2291466)M6x50
18	ZM7095068	1							Screw		M6x25
19	ZM7098000	2							Nut		M6

20	VOE11370251	1						Centrifugal governor		(ZM2904074)
21	ZM2904079	1						Sleeve		
22	ZM2904076	1					SS	Roller lever		
23	ZM2904081	2						•Ball bearing		608-2 Z
24	VOE11715759	2						•Bolt		(ZM2904082)A8K 6x20
25	ZM7098820	1						•Pin		A4x8
26	ZM2904080	1						Axle		
27	ZM7098000	2						Nut		M6
28	ZM2291467	2						Washer		
29	ZM2291465	2						Washer		
30	VOE11370223	2						Stud		M6x12
31	ZM2904365	1						Rod		
32	ZM2904085	1						Fixed pin		
33	ZM2290471	1						Pressure spring		
34	ZM2176900	1					OP	Stud		M6x20
35	ZM2291472	1						Claw		
36	ZM7098392	1						Nut		M6
37	VOE914448	1						Retaining ring		(ZM7094958)14x10
38	ZM2291474	1						Stop		-6010151
38	ZM2906905	1						Stop		6010152-
39	ZM2291475	1						Pressure spring		
40	ZM2291476	1					SS	Adjusting screw		
41	ZM2291479	1						O-ring		
42	ZM2291480	1						O-ring		
43	ZM2906904	1						Adjusting screw		(ZM2291473)-6010151
43	ZM2906904	1						Adjusting screw		6010152-
44	VOE11700373	1						Nut		
45	ZM2904086	1						Seal		
46	VOE955780	1						Hexagon nut		(ZM7098004)M5
47	ZM2906906	1						Screwed pin		
48	ZM2905364	1					SS	Case		
49	ZM2905365	1						O-ring		
50	ZM2905367	1						Pressure spring		
51	ZM2905366	1						Washer		
52	ZM7098392	1						Nut		M6
53	ZM2904379	3						Injection Pump		-6010151
53	ZM2908508	3						Injection pump		6010152-
54	ZM2901356	3						Roller tappet		
55	ZM2904128	3						Balancer gasket		0,4 mm
55	ZM2904129	REQ						Balancer gasket		0,5 mm
55	ZM2904130	REQ						Balancer gasket		0,6 mm
55	ZM2904131	REQ						Balancer gasket		0,7 mm
55	ZM2904132	REQ						Balancer gasket		0,8 mm
55	ZM2904133	REQ						Balancer gasket		0,9 mm
55	ZM2904134	REQ						Balancer gasket		1,0 mm
56	ZM2904135	3						Plug		

Date: 2013/11/6	Image id: 1005818	Catalogue: 07508	Model: ZL402C
Brand: Volvo	Serial: 6006001-6009999	Group/Section: 237/100	Title: Injection pipes, Injection valve



Q1-Q5	Option	Option description	
Q1 6006001 - 6010151			

Pos	Part	Q1	Q2	Q3	Q4	Q5	PS	Kit	Description	Option(s)	Remark
1	ZM2904382	4							Injection Valve		
2	VOE11705716	1							•Shim		(ZM2901179)1,00 mm
2	ZM2901180	REQ							•Spacer		1,04 mm
2	VOE11705718	REQ							•Shim		(ZM2901181)1,08 mm
2	ZM2901182	REQ							•Spacer		1,10 mm
2	ZM2901183	REQ							•Spacer		1,14 mm
2	ZM2901184	REQ							•Spacer		1,18 mm
2	VOE11705722	REQ							•Shim		(ZM2901185)1,20 mm
2	ZM2904144	REQ							•Spacer		1,22 mm
2	ZM2901186	REQ							•Spacer		1,24 mm
2	ZM2901187	REQ							•Spacer		1,28 mm
2	ZM2901188	REQ							•Spacer		1,30 mm
2	VOE11705726	REQ							•Shim		(ZM2901189)1,34 mm
2	ZM2901190	REQ							•Spacer		1,38 mm
2	ZM2901191	REQ							•Spacer		1,40 mm
2	ZM2901192	REQ							•Spacer		1,44 mm

2	ZM2901193	REQ							•Spacer		1,48 mm
2	ZM2901194	REQ							•Spacer		1,50 mm
2	ZM2901195	REQ							•Spacer		1,54 mm
2	ZM2901196	REQ							•Spacer		1,58 mm
2	ZM2901197	REQ							•Spacer		1,60 mm
2	ZM2901198	REQ							•Spacer		1,64 mm
2	ZM2901199	REQ							•Spacer		1,68 mm
2	VOE11705737	REQ							•Shim		(ZM2901200)1,70 mm
2	ZM2901201	REQ							•Spacer		1,74 mm
2	ZM2901202	REQ							•Spacer		1,78 mm
2	ZM2901203	REQ							•Spacer		1,80 mm
2	VOE11705741	REQ							•Shim		(ZM2901204)1,84 mm
2	ZM2901205	REQ							•Spacer		1,88 mm
2	VOE11705743	REQ							•Shim		(ZM2901206)1,90 mm
2	ZM2901207	REQ							•Spacer		1,94 mm
2	ZM2901208	REQ					SS		•Spacer		1,98 mm
3	ZM2904141	1							•Pressure spring		
4	VOE20405525	1							•Bolt		
5	VOE11700430	1							•Washer		
6	ZM2904383	1							•Nozzle element		
7	ZM2904143	1							•Clamping nut		
8	VOE11700426	3							Sealing ring		
9	ZM2904139	3							Stabilisor		
10	VOE20405885	3							Screw		(ZM2904384)
11	ZM2904751	3							Injection pipes		
12	ZM2908047	1							Leak-off line		
13	VOE20450674	1							•Clip		(ZM2906056)
14	ZM2905336	1							•Holder ribbon		
15	ZM2290388	1							Connecting piece		
16	ZM2904760	1							Fuel pipe		
17	VOE20460936	4							Hollow screw		
18	ZM5138008	8							Seal		(ZM7099528)A12x18
19	ZM2908264	1							Rubber hose		(ZM2904148)
20	ZM2908264	1							Rubber hose		(ZM2290398)
21	VOE20914426	4							Hose Clamp		(ZM2904147)



Suggest:

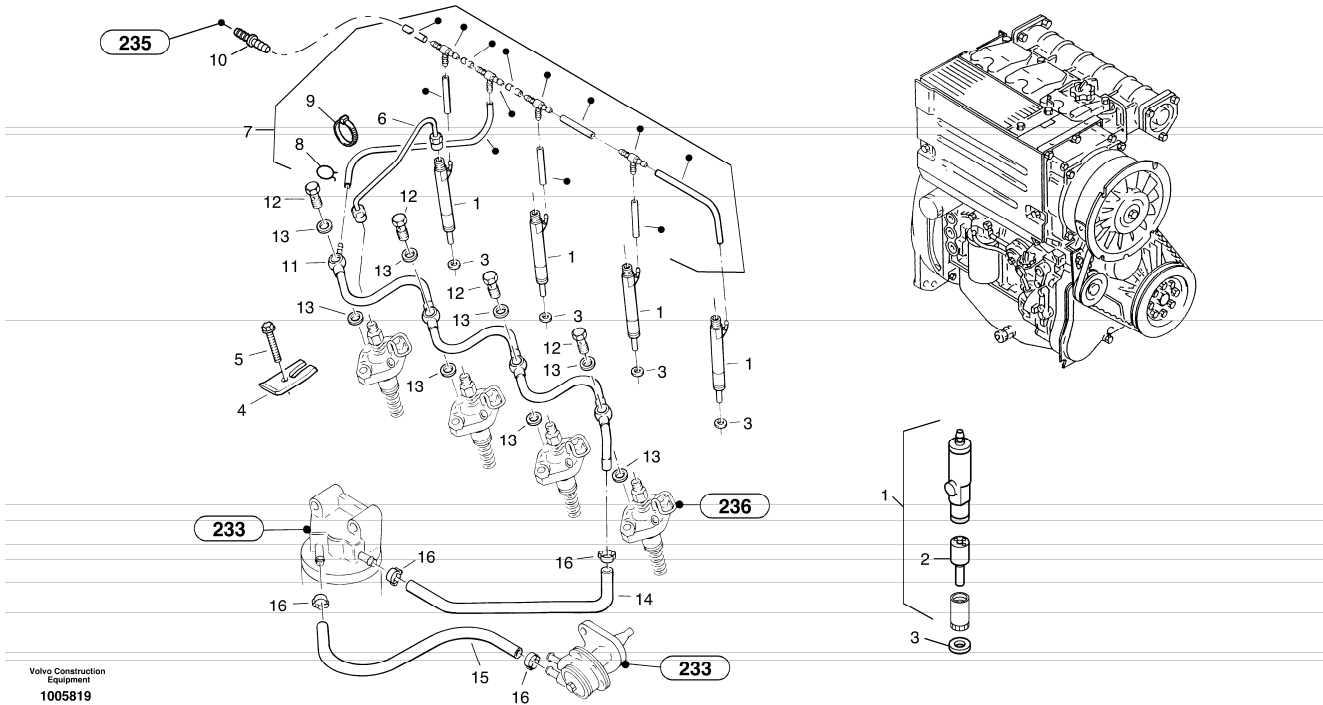
For more complete manuals. Please go to the home page.

<https://www.ebooklibonline.com>

If the above button click is invalid. Please download this document first, and then click the above link to download the complete manual.

Thank you so much for reading

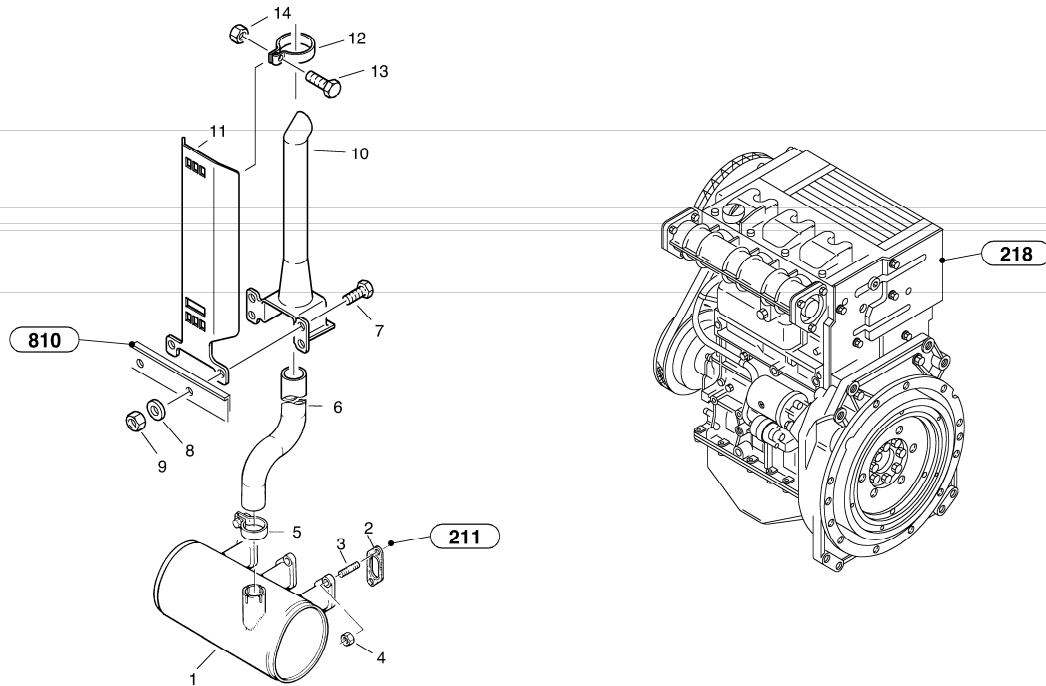
Date: 2013/11/6	Image id: 1005819	Catalogue: 07508	Model: ZL402C
Brand: Volvo	Serial: 6006001-6009999	Group/Section: 237/200	Title: Injection pipes, Injection valve



Q1-Q5	Option	Option description	
Q1 6010152-			

Pos	Part	Q1	Q2	Q3	Q4	Q5	PS	Kit	Description	Option(s)	Remark
1	ZM2908509	4							Inj Valve		
2	ZM2908511	1							•Nozzle element		
3	VOE11700426	3							Sealing ring		
4	ZM2904139	3							Stabilisor		
5	ZM2908510	3							Screw		
6	ZM2908514	3							Injection pipes		
7	ZM2908047	1							Leak-off line		
8	VOE20450674	1							•Clip		(ZM2906056)
9	ZM2905336	1							•Holder ribbon		
10	ZM2290388	1							Connecting piece		
11	ZM2904760	1							Fuel pipe		
12	VOE20460936	4							Hollow screw		
13	ZM5138008	8							Seal		(ZM7099528)A12x18
14	ZM2908264	1							Rubber hose		(ZM2904148)
15	ZM2908264	1							Rubber hose		(ZM2290398)
16	VOE20914426	4							Hose Clamp		(ZM2904147)

Date: 2013/11/6	Image id: 1005775	Catalogue: 07508	Model: ZL402C
Brand: Volvo	Serial: 6006001-6009999	Group/Section: 252/100	Title: Exhaust system



Volvo Construction
Equipment
1005775

Pos	Part	Q1	Q2	Q3	Q4	Q5	PS	Kit	Description	Option(s)	Remark
1	ZM2292239	1							Muffler		
2	ZM4083910	3							Stiffener		
3	ZM3401450	6							Screw		M10x25
4	ZM7098002	6							Nut		M10
5	ZM7092916	1							Clip		50,5
6	VOE15622102	1							Exhaust pipe		(ZM2805423)
7	ZM2810330	4							Screw		
8	VOE11305837	2							Washer		(ZM7090940)M8
9	ZM7098010	2							Nut		
10	ZM2804137	1							Exhaust Pipe		
10	ZM2808066	1							Exhaust Pipe		See footnote 1612)
11	ZM2804658	1							Cover, cap		See footnote 1613)
11	ZM2808065	1							Cover, cap		See footnote 1612)
12	ZM8092914	1							Clip		See footnote 1613)
13	VOE983244	1							Hexagon screw		See footnote 1613)
14	ZM7098010	1							Nut		See footnote 1613)

1612) Only for version "foldable roll over protection"

1613) Only for version "without cab"

<https://www.ebooklibonline.com>

Hello dear friend!

Thank you very much for reading.

Enter the link into your browser.

The full manual is available for immediate download.

<https://www.ebooklibonline.com>