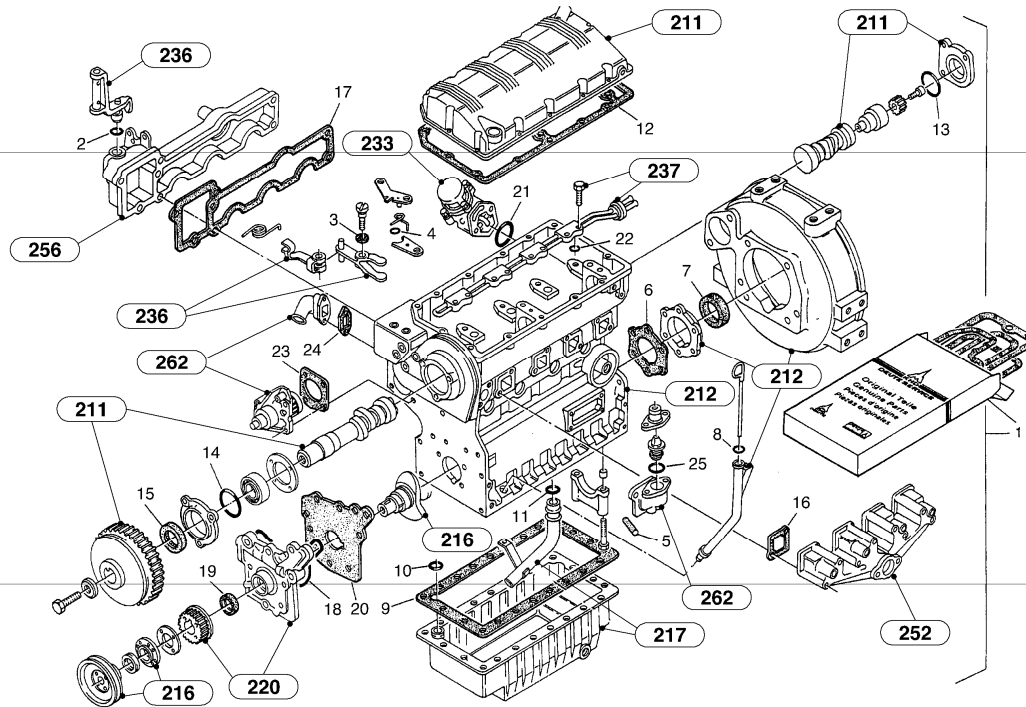


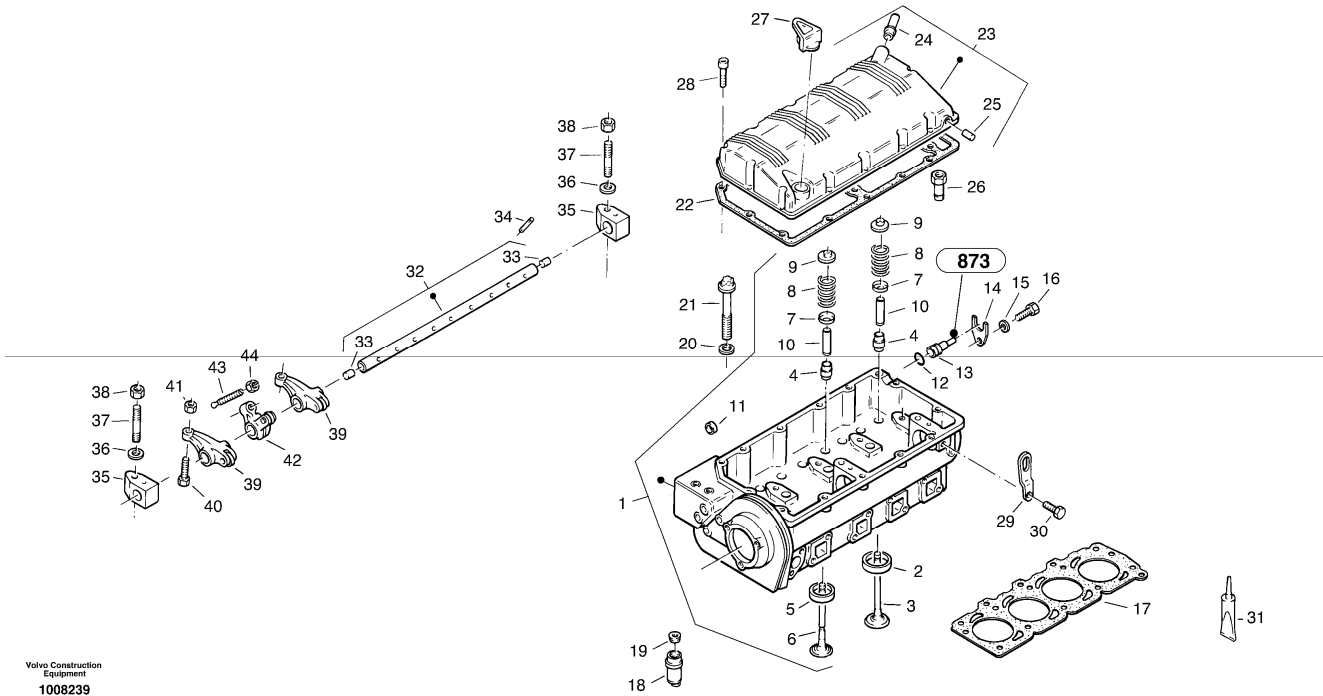
Date: 2013/11/5	Image id: 1009512	Catalogue: 07506	Model: ZL302C
Brand: Volvo	Serial: 2404001-2404999	Group/Section: 210/100	Title: Engine gasket kit



Volvo Construction
Equipment
1009512

Pos	Part	Q1	Q2	Q3	Q4	Q5	PS	Kit	Description	Option(s)	Remark
1	ZM2900778	1					SS		Gasket set, cpl.		
2	ZM2901037	1							•O-ring		
3	ZM2901039	1							•Seal		
4	ZM2901049	1							•O-ring		
5	ZM2900785	4							•Gasket		
6	ZM2900788	1					SS		•Gasket		
7	ZM2900790	1							•Seal		
8	ZM2901072	1							•O-ring		
9	ZM2901065	1							•Gasket		
10	ZM2901064	1							•O-ring		
11	ZM2901071	1							•O-ring		
12	ZM2900833	1							•Gasket		
13	ZM2900863	1							•O-ring		
14	ZM2900868	1							•O-ring		
15	ZM2900879	1							•Seal		
16	ZM2901014	1							•Gasket		
17	ZM2901016	1							•Gasket		
18	ZM2900800	1							•Gasket		
19	ZM2900801	1							•Seal		
20	VOE15061968	1							•Gasket		(ZM2900803)

Date: 2013/11/5	Image id: 1008239	Catalogue: 07506	Model: ZL302C
Brand: Volvo	Serial: 2404001-2404999	Group/Section: 211/100	Title: Cylinder head



Volvo Construction
Equipment
1008239

Pos	Part	Q1	Q2	Q3	Q4	Q5	PS	Kit	Description	Option(s)	Remark
1	ZM2900809	1							Cylinder head		-2409028
1	VOE15025304	1							Cylinder head		(ZM2909817)2409029-
2	ZM2900820	4					OP		•Valve Seat Ring		-2409028
2	ZM2909822	4							•Valve Seat Ring		2409029-
3	ZM2900811	4							•Inlet valve		-2409028
3	ZM2909818	4							•Inlet valve		2409029-
4	ZM2900821	8							•Gasket		
5	ZM2900819	4					OP		•Valve Seat Ring		-2409028
5	ZM2909821	4							•Valve Seat Ring		2409029-
6	ZM2900816	4							•Exhaust Valve		-2409028
6	ZM2909816	4							•Exhaust Valve		2409029-
7	ZM2900817	8							•Washer		
8	ZM2900810	8							•Valve Spring		-2409028
8	ZM2909815	8							•Valve Spring		2409029-
9	ZM2900812	8							•Spring Disc		
10	ZM2900813	8							•Valve Guide		
10	ZM2900814	REQ							•Valve Guide		+0,50 mm
11	ZM2900815	6							•Plug		
12	ZM2900823	1							•O-ring		
13	ZM2901235	1							•Hose Connection		

<https://www.ebooklibonline.com>

Hello dear friend!

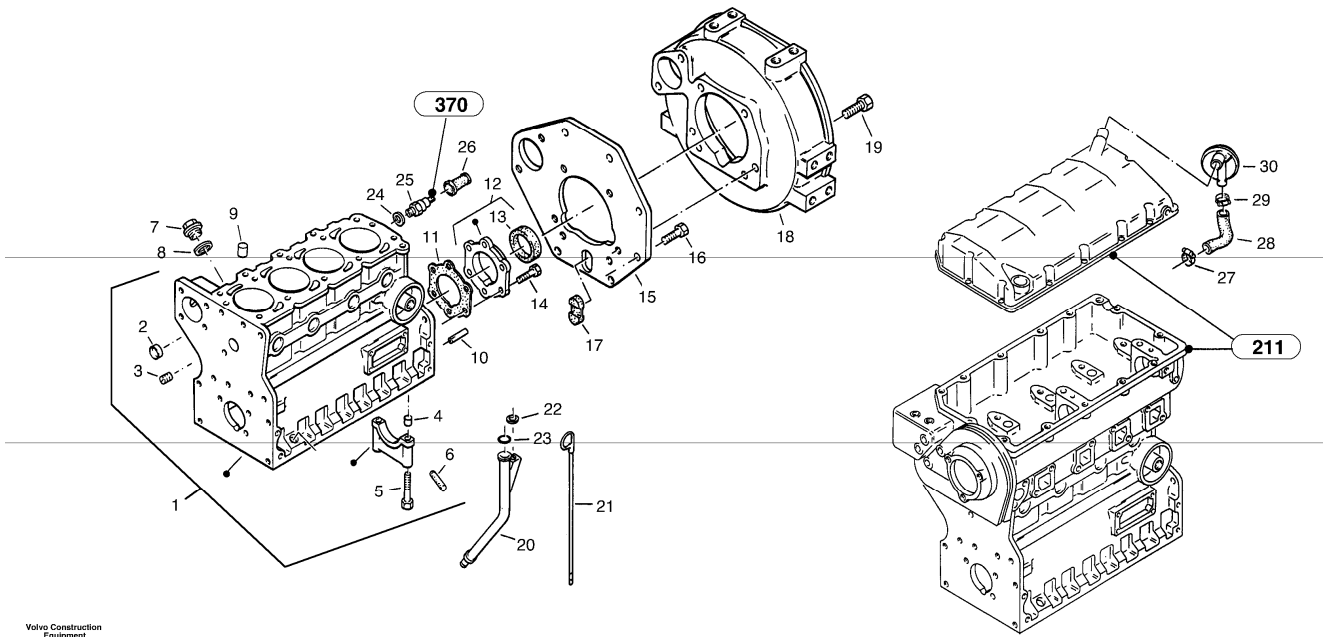
Thank you very much for reading.

Enter the link into your browser.

The full manual is available for immediate download.

<https://www.ebooklibonline.com>

Date: 2013/11/5	Image id: 1008231	Catalogue: 07506	Model: ZL302C
Brand: Volvo	Serial: 2404001-2404999	Group/Section: 212/100	Title: Engine housing

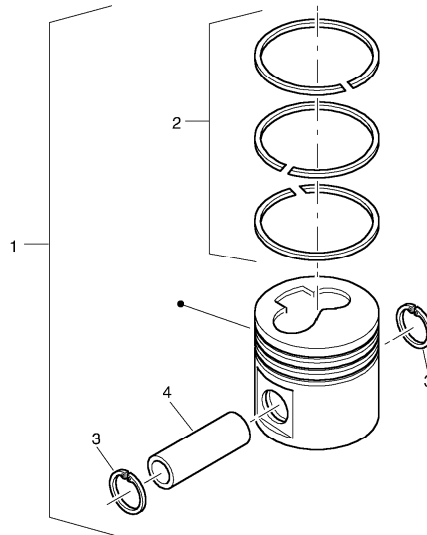


Volvo Construction
Equipment
1008231

Pos	Part	Q1	Q2	Q3	Q4	Q5	PS	Kit	Description	Option(s)	Remark
1	ZM2900780	1							Crankcase		-2409028
1	ZM2909788	1							Crankcase		2409029-
2	ZM2900781	8							•Plug		
3	ZM2900782	1							•Screw plug		
4	ZM2900783	10							•Fitted bush		
5	ZM2900784	10							•Screw		
6	ZM2900785	4							•Gasket		
7	ZM2900786	1							Plug		
8	ZM2900787	1							Seal		
9	ZM2900783	2							Fitted bush		
10	ZM2900794	4							Pin		
11	ZM2900788	1					SS		Gasket		
12	ZM2909783	1							Flange		
13	ZM2900790	1							•Seal		
14	ZM2900791	6							Screw		-2409028
14	ZM2900830	6							Screw		2409029-
15	ZM2900792	1							Conn Plate		
16	ZM2900793	9							Screw		-2409028
17	ZM2900795	1							Plug		
18	ZM2901059	1					OP		Intermediate		

									housing		
19	ZM2901060	11							Screw		
20	ZM2900912	1							Dipstick Tube		-2409028
20	ZM2909790	1							Dipstick Tube		2409028-
21	ZM2900910	1							Oil Dipstick		-2409028
21	ZM2909791	1							Oil Dipstick		2409029-
22	ZM2900911	1							Washer		-2409028
23	ZM2901072	1							O-ring		
24	ZM2900787	1							Seal		
25	ZM2901241	1							Oil pressure sensor		
26	ZM2901277	1							Rubber Sleeve		
27	ZM2900825	1							Clamp		
28	ZM2900832	1							Release hose		
29	ZM2900825	1							Clamp		
30	ZM2900844	1							Breather Cap		

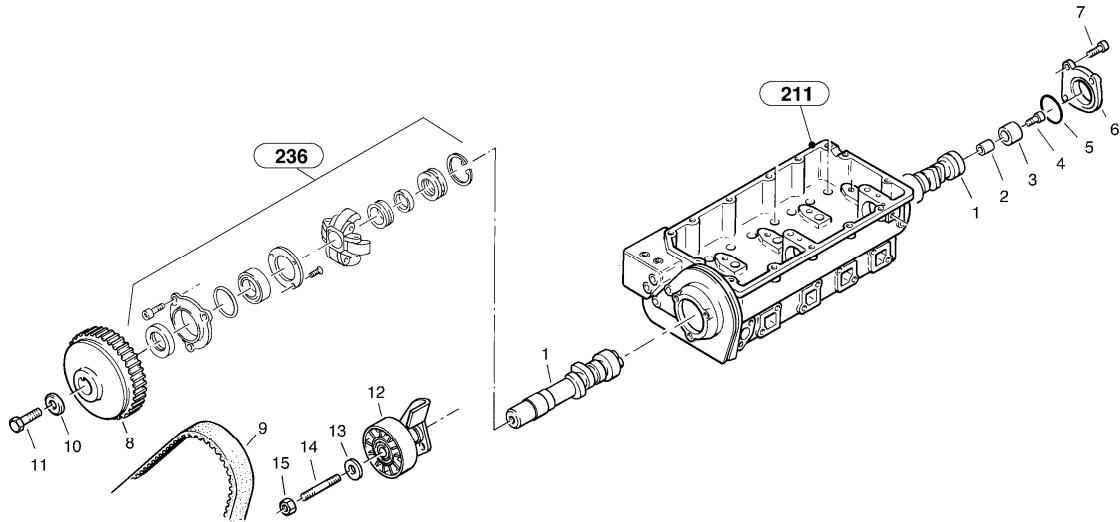
Date: 2013/11/5	Image id: 1008249	Catalogue: 07506	Model: ZL302C
Brand: Volvo	Serial: 2404001-2404999	Group/Section: 213/100	Title: Piston



Volvo Construction
Equipment
1008249

Pos	Part	Q1	Q2	Q3	Q4	Q5	PS	Kit	Description	Option(s)	Remark
1	ZM2900902	4							Piston		-2409028
1	ZM2909806	4							Piston		2409029-
1	ZM2900903	REQ							Piston		+0,50 mm, -2409028
1	ZM2909811	REQ							Piston		+0,50 mm, 2409029-
1	ZM2900904	REQ							Piston		+1,00 mm, -2409028
1	ZM2909812	REQ							Piston		+1,00 mm, 2409029-
2	ZM2900905	1							Piston Ring Kit		-2409028
2	ZM2909805	1							Piston Ring Kit		2409029-
2	ZM2900906	REQ					OP		Piston Ring Kit		+0,50 mm, -2409028
2	ZM2909809	REQ							Piston Ring Kit		+0,50 mm, 2409029-
2	ZM2900907	REQ							Piston Ring Kit		+1,00 mm, -2409028
2	ZM2909810	REQ							Piston Ring Kit		+1,00 mm, 2409029-
3	ZM2900909	2							Safety ring		-2409028
3	ZM2909808	2							Safety ring		2409029-
4	ZM2900908	1							Piston Pin		-2409028
4	ZM2909807	1							Piston Pin		2409029-

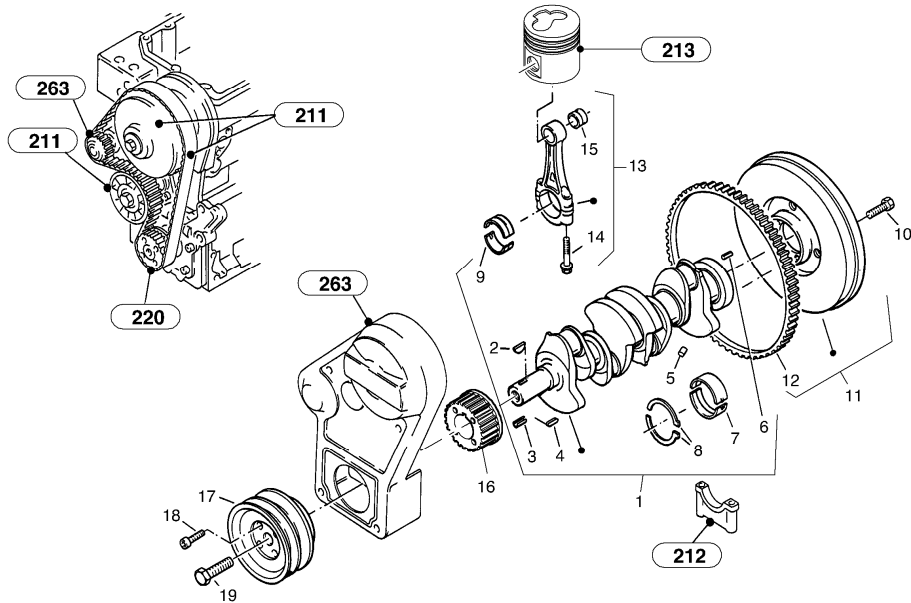
Date: 2013/11/5	Image id: 1008240	Catalogue: 07506	Model: ZL302C
Brand: Volvo	Serial: 2404001-2404999	Group/Section: 215/100	Title: Camshaft



Volvo Construction
Equipment
1008240

Pos	Part	Q1	Q2	Q3	Q4	Q5	PS	Kit	Description	Option(s)	Remark
1	ZM2900857	1							Camshaft		
2	ZM2900783	1							Fitted bush		
3	ZM2900859	1							Bushing		
4	ZM2900862	1							Screw		
5	ZM2900863	1							O-ring		
6	ZM2900864	1							Flange		-2409028
6	ZM2909825	1							Flange		2409029-
7	ZM2901232	3							Screw		-2409028
7	ZM2900791	3							Screw		2409029-
8	ZM2900878	1							Toothed belt wheel		
9	ZM2900860	1							Tooth Belt		114 RHD, SB 10.089
9	ZM2905964	1							Tooth belt		113 RHD, SB 10.089
10	ZM2900877	1					OP		Washer		
11	ZM2900876	1					OP		Screw		
12	ZM2900880	1							Tension Pulley		
13	ZM2900872	1							Washer		
14	ZM2900870	1					OP		Screw		
15	ZM2900852	1							Nut		

Date: 2013/11/5	Image id: 1008248	Catalogue: 07506	Model: ZL302C
Brand: Volvo	Serial: 2404001-2404999	Group/Section: 216/100	Title: Crankshaft

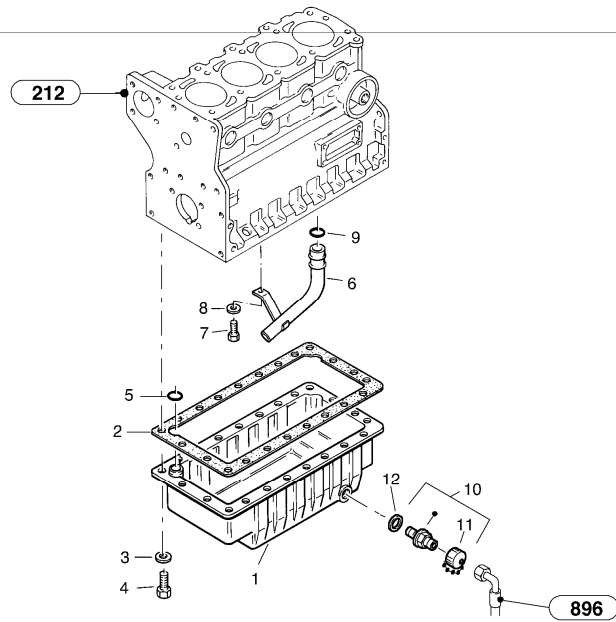


Volvo Construction
Equipment
1008248

Pos	Part	Q1	Q2	Q3	Q4	Q5	PS	Kit	Description	Option(s)	Remark
1	ZM2900881	1							Crankshaft		-2409028
1	ZM2909794	1							Crankshaft		2409029-
2	ZM2900882	1							•Disc Spring		
3	ZM2900885	1							•Clamping pin		
4	ZM2900884	1					OP		•Disc Spring		-2409028
4	ZM2909793	1							•Disc Spring		2409029-
5	ZM2900828	1							•Plug		
6	ZM2900883	1							•Clamping pin		
7	ZM2900886	5							•Crankshaft bearing		-2409028
7	ZM2909795	5							•Crankshaft bearing		2409029-
7	ZM2900887	REQ							•Crankshaft bearing		-0,25 mm, -2409028
7	ZM2909799	REQ							•Crankshaft bearing		-0,25 mm, 2409029-
7	ZM2900888	REQ							•Crankshaft bearing		-0,50 mm, -2409028
7	ZM2909800	REQ							•Crankshaft bearing		-0,50 mm, 2409029-
8	ZM2900889	2							•Raceway Washer		-2409028
8	ZM2909796	2							•Raceway Washer		2409029-
8	ZM2900890	REQ							•Raceway Washer		+0,50 mm, -2409028
8	ZM2909797	REQ							•Raceway Washer		+0,50 mm, 2409029-
8	ZM2900891	REQ							•Raceway Washer		+1,00 mm, -2409028
8	ZM2909798	REQ							•Raceway Washer		+1,00 mm, 2409029-

9	ZM2900892	4							•Piston Bearing		
9	ZM2909801	REQ							•Piston Bearing		-0,25 mm
9	ZM2900894	REQ							•Piston Bearing		-0,50 mm, -2409028
9	ZM2909802	REQ							•Piston Bearing		-0,50 mm, 2409029-
10	ZM2900895	5							Screw		
11	ZM2900898	1							Flywheel		
12	VOE15173207	1							•Flywheel		(ZM2900897)
13	ZM2900899	4							Connecting rod		-2409028
13	ZM2909804	4							Connecting rod		2409029-
14	ZM2900901	8							•Screw		
15	ZM2900900	4							•Bush		-2409028
15	ZM2909803	4							•Bush		2409029-
16	ZM2900807	1							Toothed belt wheel		
17	ZM2900979	1							V-belt Pulley		-2409028
17	VOE15138802	1							Pulley		(ZM2909792)2409029-
18	ZM2900980	4							Screw		-2409028
19	VOE17218737	1							Screw		(ZM2900896)

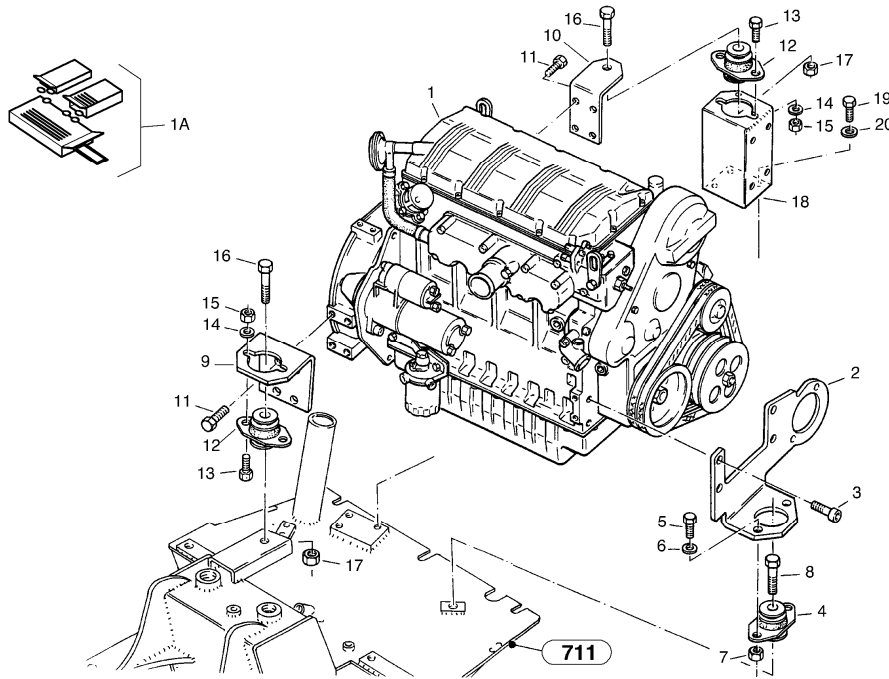
Date: 2013/11/5	Image id: 1008238	Catalogue: 07506	Model: ZL302C
Brand: Volvo	Serial: 2404001-2404999	Group/Section: 217/100	Title: Oil sump



Volvo Construction
Equipment
1008238

Pos	Part	Q1	Q2	Q3	Q4	Q5	PS	Kit	Description	Option(s)	Remark
1	ZM2901061	1							Oil Pan		
2	ZM2901065	1							Gasket		
3	ZM2901066	22							Washer		
4	ZM2901067	22							Screw		
5	ZM2901064	1							O-ring		
6	ZM2901068	1							Oil Pipe		
7	ZM2901070	1							Screw		
8	ZM2901073	1							Washer		
9	ZM2901071	1							O-ring		
10	ZM4384256	1							Valve		
11	ZM2285689	1							Chain with cap		
12	ZM7099518	1							Seal		C18x24

Date: 2013/11/5	Image id: 1007542	Catalogue: 07506	Model: ZL302C
Brand: Volvo	Serial: 2404001-2404999	Group/Section: 218/100	Title: Engine assy

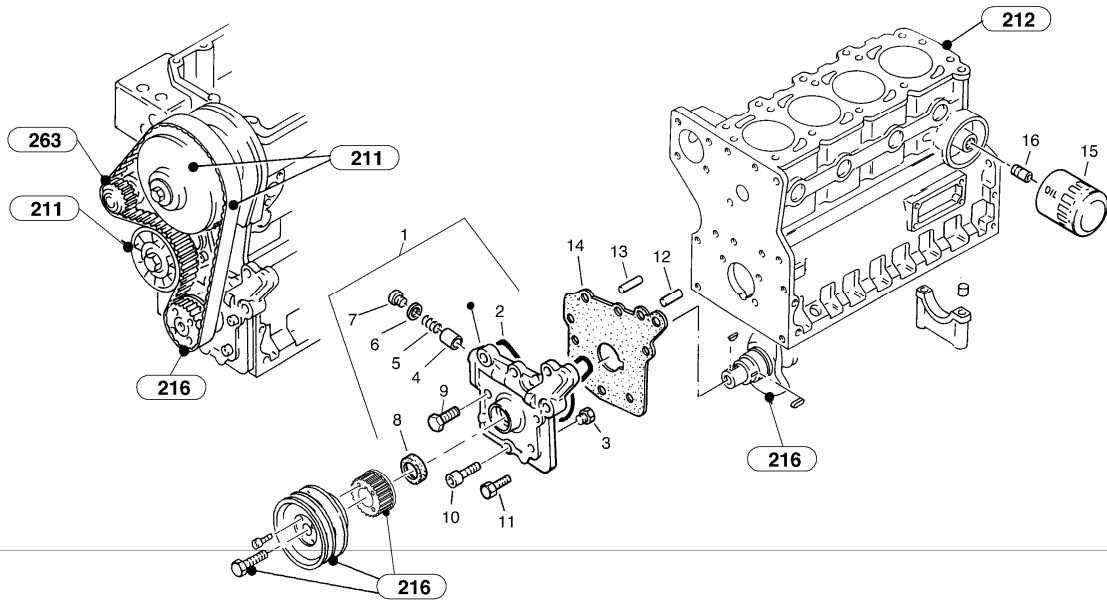


Volvo Construction
Equipment
1007542

Pos	Part	Q1	Q2	Q3	Q4	Q5	PS	Kit	Description	Option(s)	Remark
1	ZM2814025	1							Engine, cpl.		
1A	ZM2900778	1					SS	K	Gasket set, cpl.		
2	ZM2803419	1							Engine Member		
3	ZM7096569	4					OP		Screw		M12x60
4	ZM2802169	1							Buffer		
5	VOE983251	2							Hexagon screw		M10x25
6	VOE949523	2							Washer		10,5
7	ZM7098002	2							Nut		M10
8	VOE970978	1							Hexagon screw		M12x70
9	ZM2803420	1							Engine Member		
10	ZM2803421	1							Engine Member		
11	VOE983251	8							Hexagon screw		M10x25
12	ZM2802169	2							Buffer		
13	VOE983251	4							Hexagon screw		M10x25
14	VOE949523	4							Washer		10,5
15	ZM7098002	4							Nut		M10
16	VOE970978	2							Hexagon screw		M12x70
17	VOE979019	2							Hexagon nut		M12
18	ZM2803424	1							Bearing Bracket		
19	ZM7096650	3							Screw		M12x20

20	VOE13955897	3						Washer		B13
----	-------------	---	--	--	--	--	--	--------	--	-----

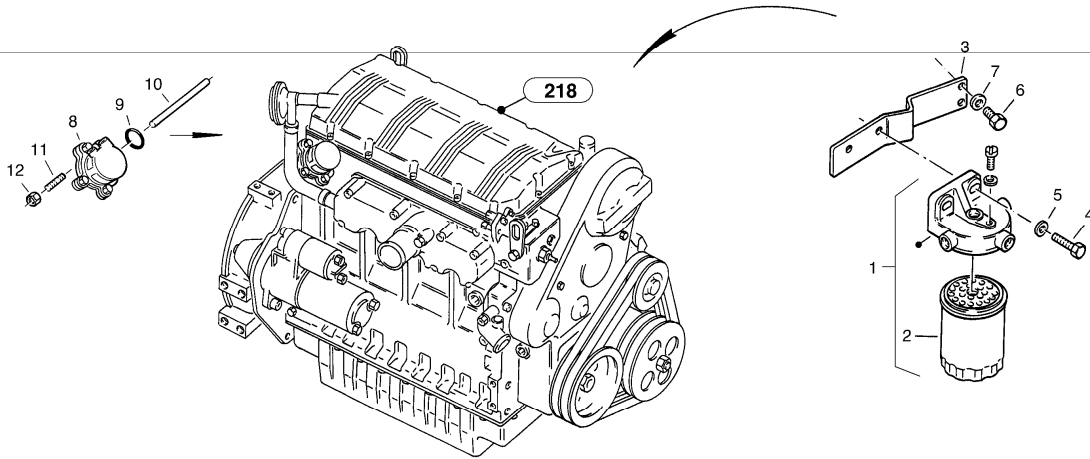
Date: 2013/11/5	Image id: 1008251	Catalogue: 07506	Model: ZL302C
Brand: Volvo	Serial: 2404001-2404999	Group/Section: 220/100	Title: Oil pump, oil filter



Volvo Construction
Equipment
1008251

Pos	Part	Q1	Q2	Q3	Q4	Q5	PS	Kit	Description	Option(s)	Remark
1	ZM2900796	1					SS		Oil Pump		-2409028
1	ZM2909826	1							Oil Pump		2409029-
2	ZM2900800	1							•Gasket		-2409028
2	ZM2909857	1							•O-ring		2409029-
3	ZM2900802	3					OP		•Screw		-2409028
4	ZM2900797	1							•Piston		
5	ZM2900798	1							•Spring		
6	ZM2900787	1							•Seal		
7	ZM2900799	1							•Plug		
8	ZM2900801	1							•Seal		
9	ZM2901009	2							Screw		2409029-
10	ZM2900805	1							Screw		
11	ZM2900806	6					OP		Screw		
12	ZM2900794	2							Pin		-2409028
13	ZM2900804	1							Pin		-2409028
14	VOE15061968	1							Gasket		(ZM2900803)
15	ZM2900776	1							Filter		
16	ZM2900808	1							Threaded part		

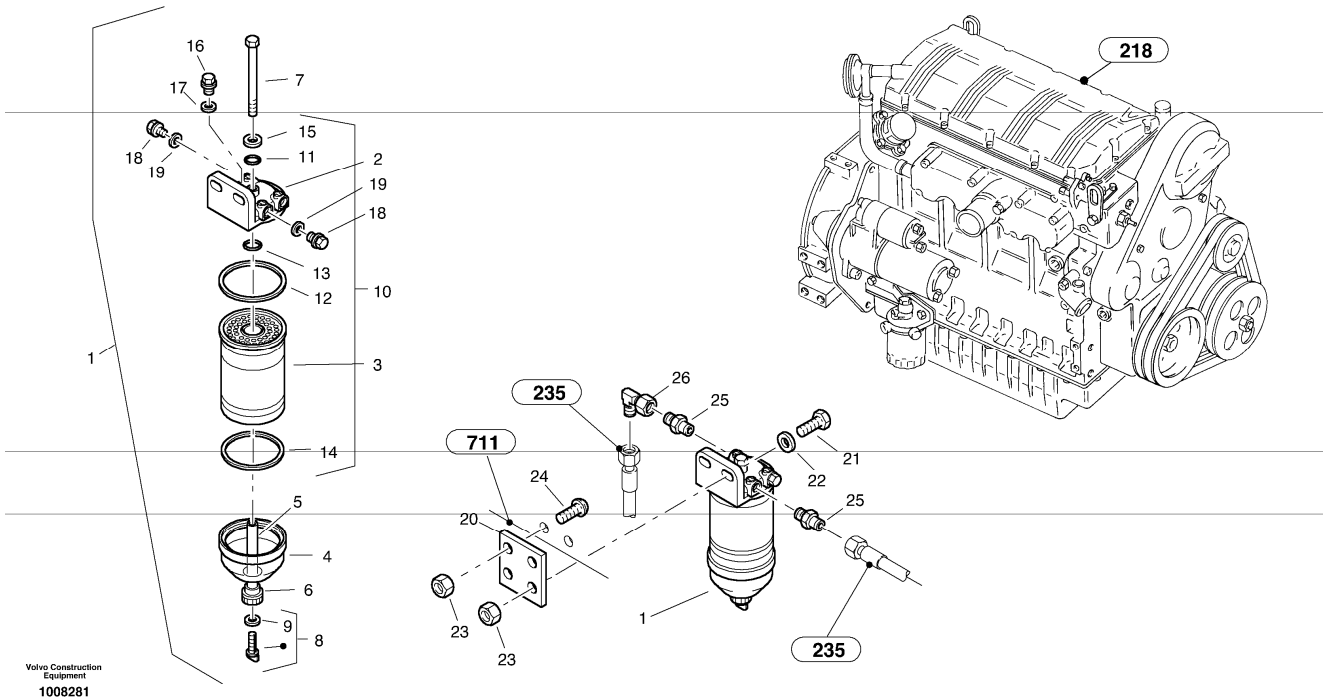
Date: 2013/11/5	Image id: 1008276	Catalogue: 07506	Model: ZL302C
Brand: Volvo	Serial: 2404001-2404999	Group/Section: 233/100	Title: Fuel filter - Feed pump



Volvo Construction
Equipment
1008276

Pos	Part	Q1	Q2	Q3	Q4	Q5	PS	Kit	Description	Option(s)	Remark
1	ZM2900919	1					SS		Bracket		
2	ZM2900777	1							•Filter		
3	ZM2900924	1							Attaching Plate		
4	ZM2900914	2							Screw		
5	ZM2900922	2							Washer		
6	ZM2900806	2					OP		Screw		
7	ZM2900923	2							Washer		
8	ZM2904509	1							Feed pump		-2409028
8	ZM2909830	1					SS		Fuel pump		2409029-
9	ZM2900932	1							O-ring		
10	ZM2904511	1							Tappet		
11	ZM2900930	2							Screw		
12	ZM2900929	2							Nut		

Date: 2013/11/5	Image id: 1008281	Catalogue: 07506	Model: ZL302C
Brand: Volvo	Serial: 2404001-2404999	Group/Section: 233/200	Title: Filter - Water separator - Lucas version



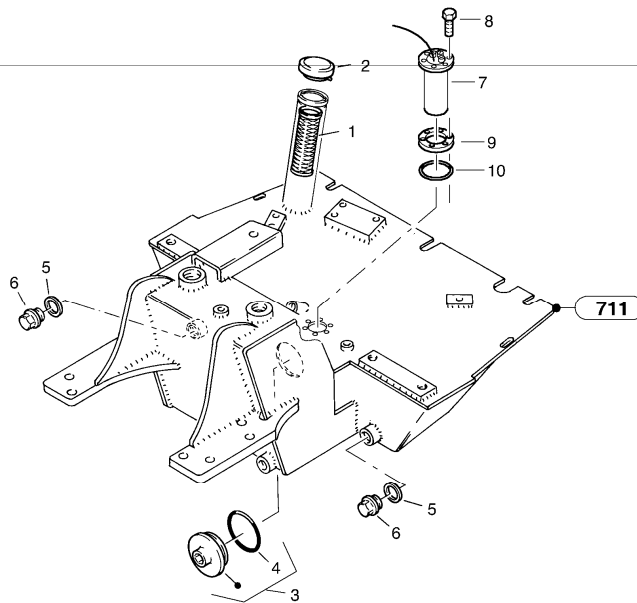
Q1-Q5	Option	Option description	
Q1 2407035-			See footnote 2059)

Pos	Part	Q1	Q2	Q3	Q4	Q5	PS	Kit	Description	Option(s)	Remark
1	ZM2807872	1							Fuel filter		SB 10.107
2	ZM2905307	1					SS		•Filter head		
3	ZM2905298	1							•Filter cartridge		
4	ZM2905299	1							•Sight glass		
5	ZM2905300	1							•Knurled head screw		
6	VOE7242081	1							•Washer		(ZM2905301)
7	ZM2905302	1							•Screw		
8	VOE242595	1							•Plug		(ZM2905304)
9	VOE7242081	1							•Washer		(ZM2905301)
10	ZM2905306	1						K	•Gasket set, cpl.		
11	ZM2905308	1							••O-ring		
12	ZM2905309	1							••Gasket		
13	ZM2905310	1							••O-ring		
14	ZM2905311	1							••Gasket		
15	ZM2905312	1							••Washer		
16	ZM2905313	1							•Screw		
17	ZM2164940	1							•Seal		A10x14

18	ZM7099404	2							•Lock Plug		AM14x1,5
19	ZM2905314	2							•Seal		
20	ZM2814131	1							Retainer		
21	VOE983252	2							Hexagon screw		M10x30
22	VOE976945	2							Washer		B10,5
23	VOE983304	4							Hexagon nut		M10
24	ZM2810334	2							Screw		
25	VOE11306928	2							Stud		L10MB
26	VOE13945357	1							Elbow nipple		L10

2059) Also by machine no. 2405058

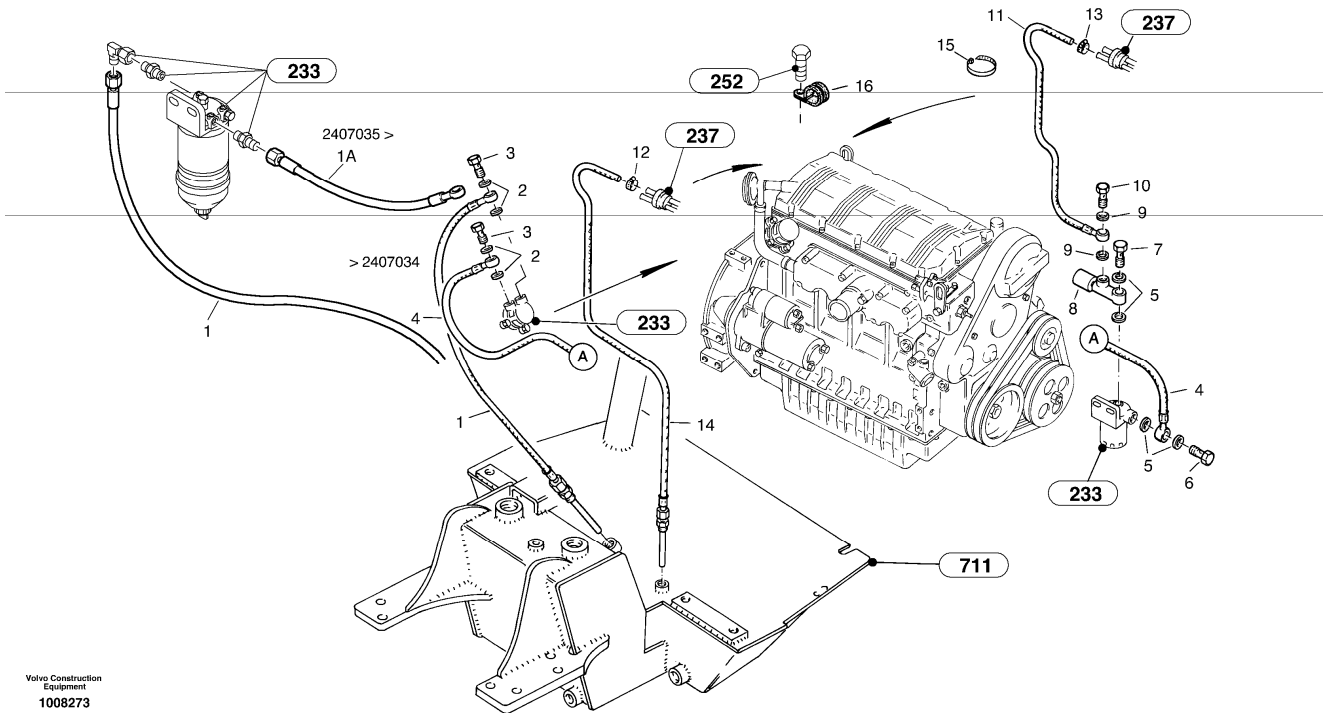
Date: 2013/11/5	Image id: 1008268	Catalogue: 07506	Model: ZL302C
Brand: Volvo	Serial: 2404001-2404999	Group/Section: 234/100	Title: Fuel tank



Volvo Construction
Equipment
1008268

Pos	Part	Q1	Q2	Q3	Q4	Q5	PS	Kit	Description	Option(s)	Remark
1	ZM2800961	1							Screen		
2	ZM2800960	1							Filler cap		
3	ZM2197270	1							Screw plug		
4	ZM2184310	1							•O-ring		86x3
5	ZM8099561	2							Seal		A26x31
6	ZM7099414	2							Screw plug		AM26x1,5
7	ZM2805648	1							Telescopic pipe transmitt		
8	VOE955228	6							Hexagon screw		M4x16, SB 10.099 -2407058 / 2407058-
8	ZM7094795	6							Screw		M4x25, SB 10.099 2405043- / -2407057
9	ZM2811332	1							Spacer Ring		2405043- / -2407057 SB 10.099
10	ZM5180010	1							O-ring		69,45x3,53, SB 10.099 2405043- / -2407057

Date: 2013/11/5	Image id: 1008273	Catalogue: 07506	Model: ZL302C
Brand: Volvo	Serial: 2404001-2404999	Group/Section: 235/100	Title: Fuel pipes



Volvo Construction
Equipment
1008273

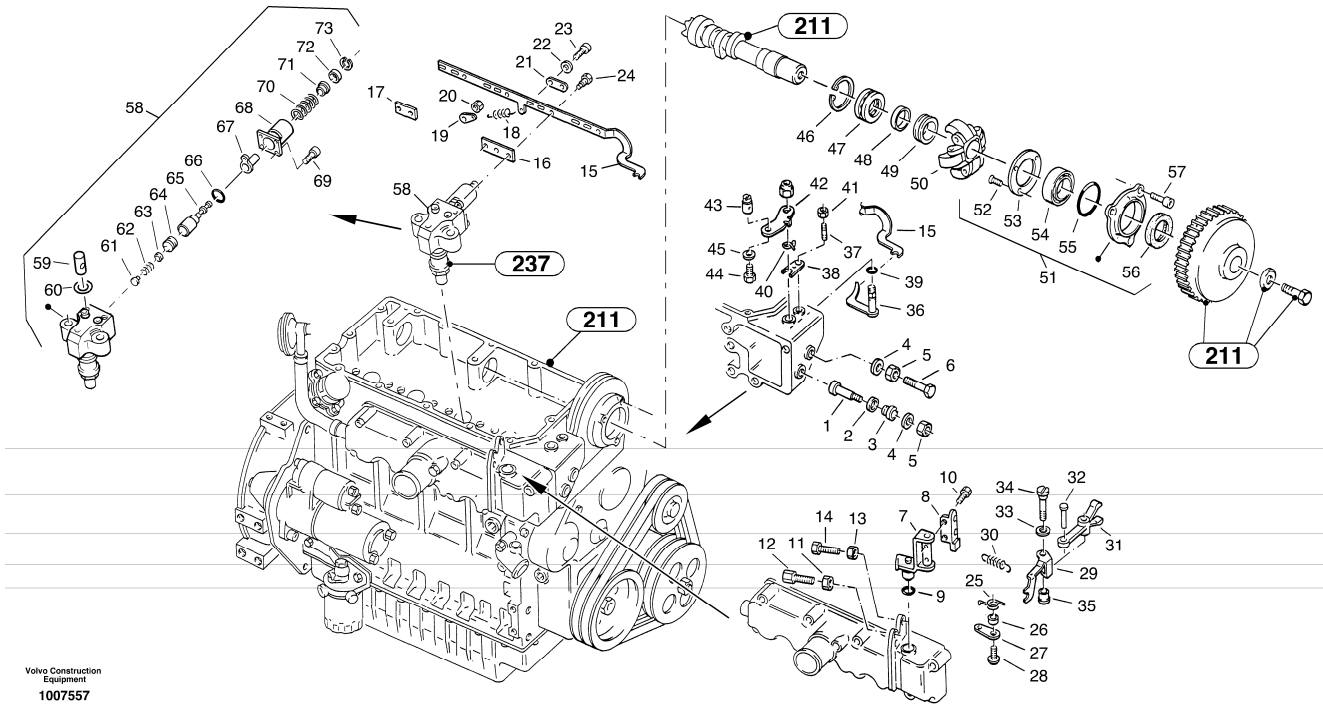
Pos	Part	Q1	Q2	Q3	Q4	Q5	PS	Kit	Description	Option(s)	Remark
1	ZM2807823	1							Suction pipe		See footnote 2058) -2407034
1	ZM2813351	1							Suction pipe		See footnote 2059) 2407035-
1A	ZM2813352	1							Fuel hose		See footnote 2059) 2407035-
2	VOE13947281	4							Gasket		A10x13,5
3	VOE20460289	2							Hollow screw		10
4	ZM2900926	1							Hose		
5	VOE13947621	4							Plane gasket		A14x18
6	ZM7090960	1					OP		Bolt		10
7	ZM2900913	1							Screw		
8	ZM2900917	1							Solenoid valve		
9	VOE13947281	2							Gasket		A10x13,5
10	VOE20460289	1							Hollow screw		6
11	ZM2900925	1							Fuel hose		-2409028
11	ZM2909833	1							Fuel hose		2409029-
12	ZM2804157	1							Clamp		B1 - 10x7
13	ZM2060781	1							Clip		AL8-16
14	ZM2805833	1							Fuel hose		
15	ZM2193590	4							Cable clip		

16	ZM4343093	1					SS		Clamp		
----	-----------	---	--	--	--	--	----	--	-------	--	--

2058) Not by machine no. 2405058

2059) Also by machine no. 2405058

Date: 2013/11/5	Image id: 1007557	Catalogue: 07506	Model: ZL302C
Brand: Volvo	Serial: 2404001-2404999	Group/Section: 236/100	Title: Speed adjustment - Fuel injection pump

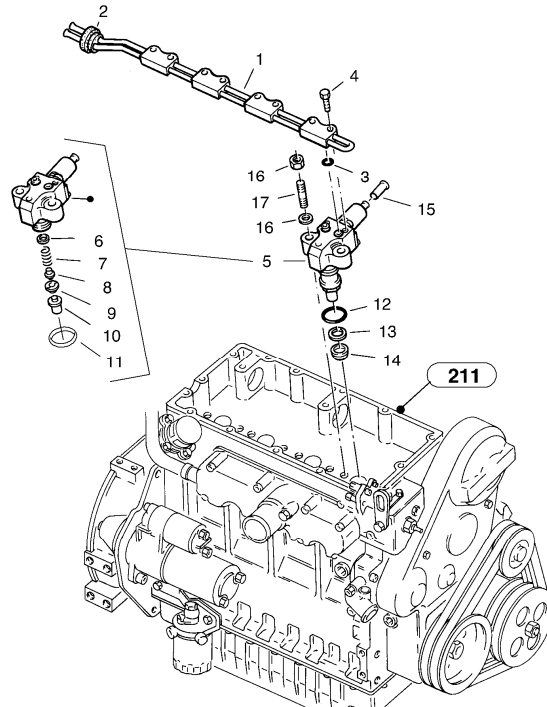


Pos	Part	Q1	Q2	Q3	Q4	Q5	PS	Kit	Description	Option(s)	Remark
1	ZM2901019	1							Adjusting screw		-2409028
1	ZM2909841	1							Adjusting screw		2409029-
2	ZM2901018	1							Seal		
3	ZM2901055	1					OP		Nut		-2409028
4	ZM2901054	2							Seal		
5	ZM2901053	2							Nut		
6	ZM2901025	1							Screw		
7	ZM2901021	1							Lever		-2409028
7	ZM2909835	1							Lever		2409029-
8	ZM2901020	1							Retainer		-2409028
9	ZM2901037	1							O-ring		
10	ZM2901036	1							Screw		-2409028
11	ZM2901022	1							Nut		-2409028
12	ZM2901023	1							Adjusting Screw		-2409028
13	ZM2901024	1							Adjusting screw		
14	ZM2901025	1							Screw		
15	ZM2909843	1							Control Shaft		
16	ZM2901027	2							Cover plate		
17	ZM2901028	2							Cover plate		
18	ZM2901031	1							Tension Spring		-2409028

18	ZM2909844	1							Tension Spring		2409029-
19	ZM2901033	1							Cover plate		-2409028
19	ZM2909845	1							Cover plate		2409029-
20	ZM2909840	1							Nut		(ZM2901034)
21	ZM2901035	2							Cover plate		
22	ZM2901029	6							Washer		
23	ZM2901030	6							Screw		
24	ZM2901042	4							Screw		
25	ZM2901043	1							Spring		
26	ZM2901044	1							Sleeve		
27	ZM2901045	1							Cover Plate		
28	ZM2901056	1							Screw		
29	ZM2901046	1							Lever		-2409028
29	ZM2909846	1							Lever		2409029-
30	ZM2901038	1							Spring		
31	ZM2901048	1							Lever		
32	ZM2901047	1							Pin		
33	ZM2901039	1							Seal		
34	ZM2901040	1							Screw		
35	ZM2901057	1							Sleeve		-2409028
35	ZM2909847	1							Sleeve		2409029-
36	ZM2901058	1							Lever		
37	ZM2901050	1							Stud		
38	ZM2901051	1							Clip (strap)		
39	ZM2901049	1							O-ring		
40	ZM2901052	1					OP		Spring		
41	ZM2901024	1							Adjusting screw		
42	ZM2901041	1							Lever		
43	ZM2901138	1							Nut		
44	ZM2901137	1							Screw		
45	ZM2901032	1							Washer		
46	ZM2900865	1							Safety ring		-2409028
47	ZM2900875	1							Ball Bearing		
48	ZM2900874	1							Sleeve		
49	ZM2900861	1					SS		Sleeve		
50	ZM2900873	1							Measuring element		
51	ZM2900867	1							Regulator Cover		
52	ZM2900802	3					OP		•Screw		
53	ZM2900871	1					OP		•Washer		
54	ZM2900869	1							•Ball Bearing		
55	ZM2900868	1							•O-ring		
56	ZM2900879	1							•Seal		
57	ZM2900830	3							Screw		
58	ZM2900948	4							Injector		-2409028
58	ZM2909829	4							Injector		2409029-
59	ZM2900940	1							•Valve		-2409028
59	ZM2909827	1							•Valve		2409029-

60	ZM2906008	4							•Seal		
61	ZM2900963	1							•Spring Disc		
62	ZM2900941	1							•Thrust Spring		
63	ZM2900964	1							•Seal		
64	ZM2900942	1							•Delivery Valve		
65	ZM2900943	1							•Plunger		-2409028
65	ZM2909828	1							•Plunger		2409029-
66	ZM2900965	1							•O-ring		
67	ZM2900966	1							•Dog		
68	ZM2900945	1							•Retainer		-2409028
69	ZM2900967	4							•Screw		
70	ZM2900946	1							•Pressure spring		
71	ZM2900968	1							•Spring Disc		
72	ZM2900947	1							•Tappet		
73	ZM2900969	1							•Safety ring		

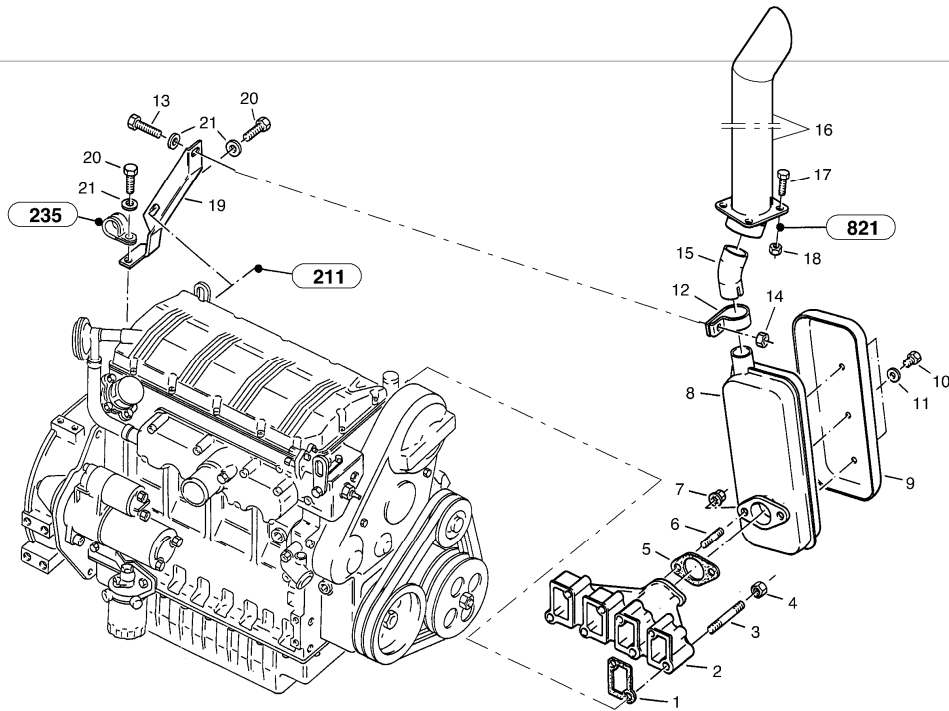
Date: 2013/11/5	Image id: 1008278	Catalogue: 07506	Model: ZL302C
Brand: Volvo	Serial: 2404001-2404999	Group/Section: 237/100	Title: Injection pipes, Injection valve



Volvo Construction
Equipment
1008278

Pos	Part	Q1	Q2	Q3	Q4	Q5	PS	Kit	Description	Option(s)	Remark
1	ZM2900866	1							Fuel pipe		
2	ZM2900928	1							Rubber spout		
3	ZM2900934	8							O-ring		
4	ZM2900927	8							Screw		
5	ZM2900948	4							Injector		
6	ZM2900949	1							•Spacer		2,00 mm
6	ZM2900950	REQ							•Spacer		1,90 mm
6	ZM2900951	REQ							•Spacer		1,80 mm
6	ZM2900952	REQ							•Spacer		1,70 mm
6	ZM2900953	REQ							•Spacer		1,60 mm
6	ZM2900954	REQ							•Spacer		1,50 mm
6	ZM2900955	REQ							•Spacer		1,40 mm
6	ZM2900956	REQ							•Spacer		1,30 mm
6	ZM2900957	REQ							•Spacer		1,20 mm
6	ZM2900958	REQ							•Spacer		1,10 mm
6	ZM2900959	REQ							•Spacer		1,00 mm
7	ZM2900960	1							•Thrust Spring		
8	ZM2900961	1							•Tappet		
9	ZM2900962	1							•Washer		
10	ZM2900973	1							•Nozzle		SB 10.080

Date: 2013/11/5	Image id: 1008244	Catalogue: 07506	Model: ZL302C
Brand: Volvo	Serial: 2404001-2404999	Group/Section: 252/100	Title: Exhaust system

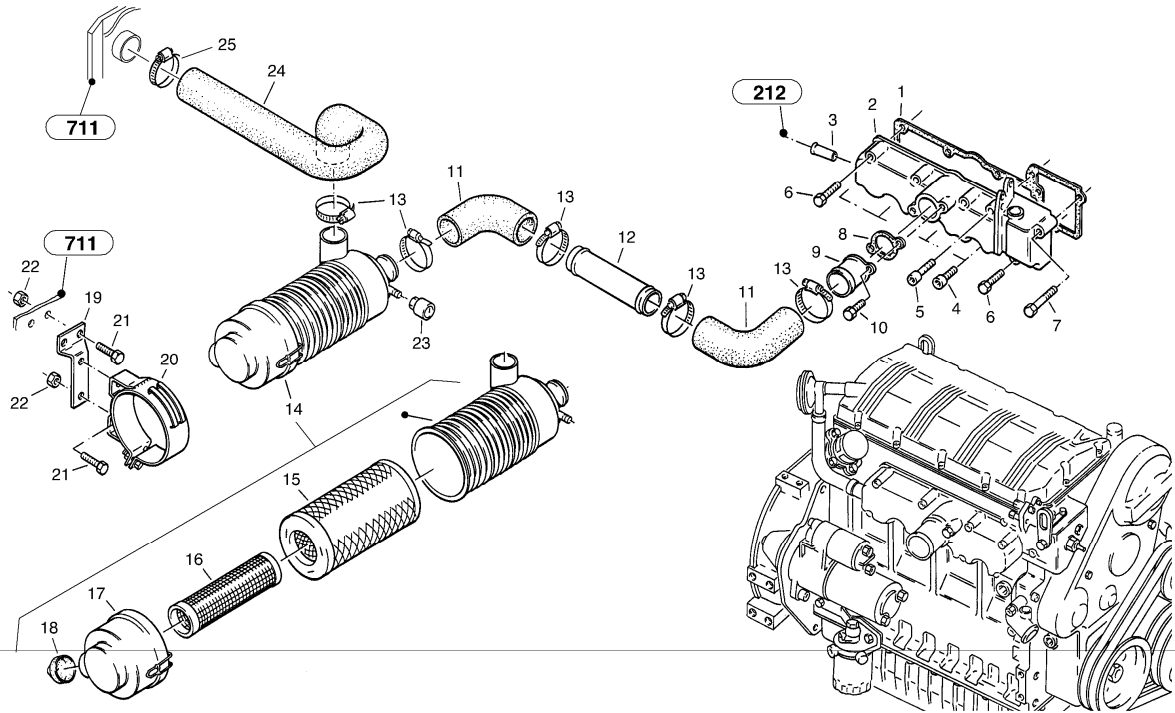


Volvo Construction
Equipment
1008244

Pos	Part	Q1	Q2	Q3	Q4	Q5	PS	Kit	Description	Option(s)	Remark
1	ZM2901014	4							Gasket		
2	ZM2901013	1							Exhaust manifold		
3	ZM7097691	8							Stud		M8x55
4	ZM7098010	8							Nut		M8
5	ZM2901077	1							Gasket		
6	ZM8097404	2							Stud		M8x30
7	ZM4334180	2							Nut		M8
8	ZM2803769	1							Muffler		
9	ZM2901076	1							Protecting Screen		
10	ZM7095440	3							Screw		M8x10
11	VOE13955894	3							Washer		B8,4
12	ZM2802165	1							Clip		42,3
13	VOE14370277	1							Hexagon screw		M8x40
14	ZM7098010	1							Nut		M8
15	ZM2803766	1							Exhaust manifold		
16	ZM2803715	1							Exhaust Pipe		
17	VOE983242	4							Hexagon screw		M8x20
18	ZM7098010	4							Nut		M8
19	ZM2805326	1							Support		
20	VOE983242	2							Hexagon screw		M8x25

21	VOE13955894	4						Washer		B8,4
----	-------------	---	--	--	--	--	--	--------	--	------

Date: 2013/11/5	Image id: 1008245	Catalogue: 07506	Model: ZL302C
Brand: Volvo	Serial: 2404001-2404999	Group/Section: 256/100	Title: Suction system, filter

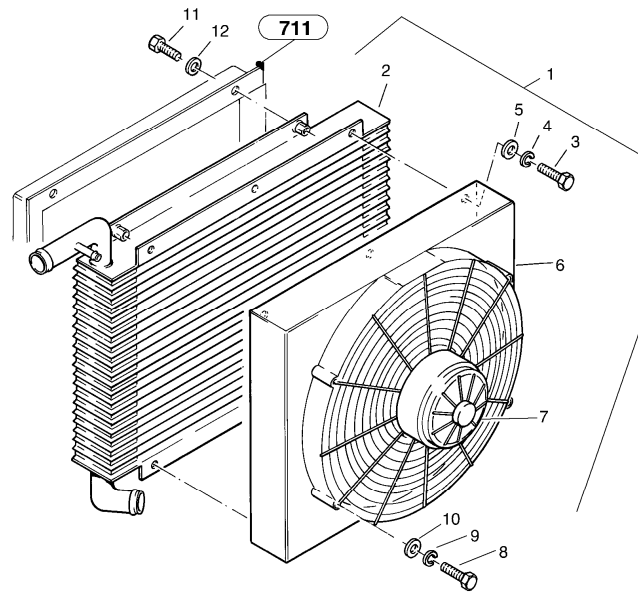


Volvo Construction
Equipment
1008245

Pos	Part	Q1	Q2	Q3	Q4	Q5	PS	Kit	Description	Option(s)	Remark
1	ZM2901016	1							Gasket		
2	ZM2901015	1							Intake pipe		
3	ZM2901017	1							Pipe		
4	ZM2900805	4							Screw		
5	ZM2901002	1					OP		Screw		
6	ZM2909836	5							Screw		
7	ZM2909837	1							Screw		
8	ZM2901075	1							Connection flange		
9	ZM2909838	1							Connection flange		(ZM2901074)-2409028
9	ZM2909838	1							Connection flange		2409029-
10	ZM2900806	2					OP		Screw		
11	ZM2803350	2							Hose		
12	ZM2805622	1							Pipe		
13	ZM2060784	5							Clip		AS 50-70 C
14	ZM2801750	1							Air filter		
15	VOE11716462	1							•Filter		(ZM 2903254)
16	ZM2903255	1							•Safety cartridge		
17	ZM2903259	1							•Cover		
18	ZM2903260	1							•Valve		
19	ZM2803475	1							Holder		

20	ZM2801751	1							Clip		
21	VOE983242	4							Hexagon screw		M8x16
22	ZM7098010	4							Nut		M8
23	ZM2805644	1							Indicator		
24	ZM2804298	1							Hose		
25	ZM2060784	1							Clip		AS 50-70 CB

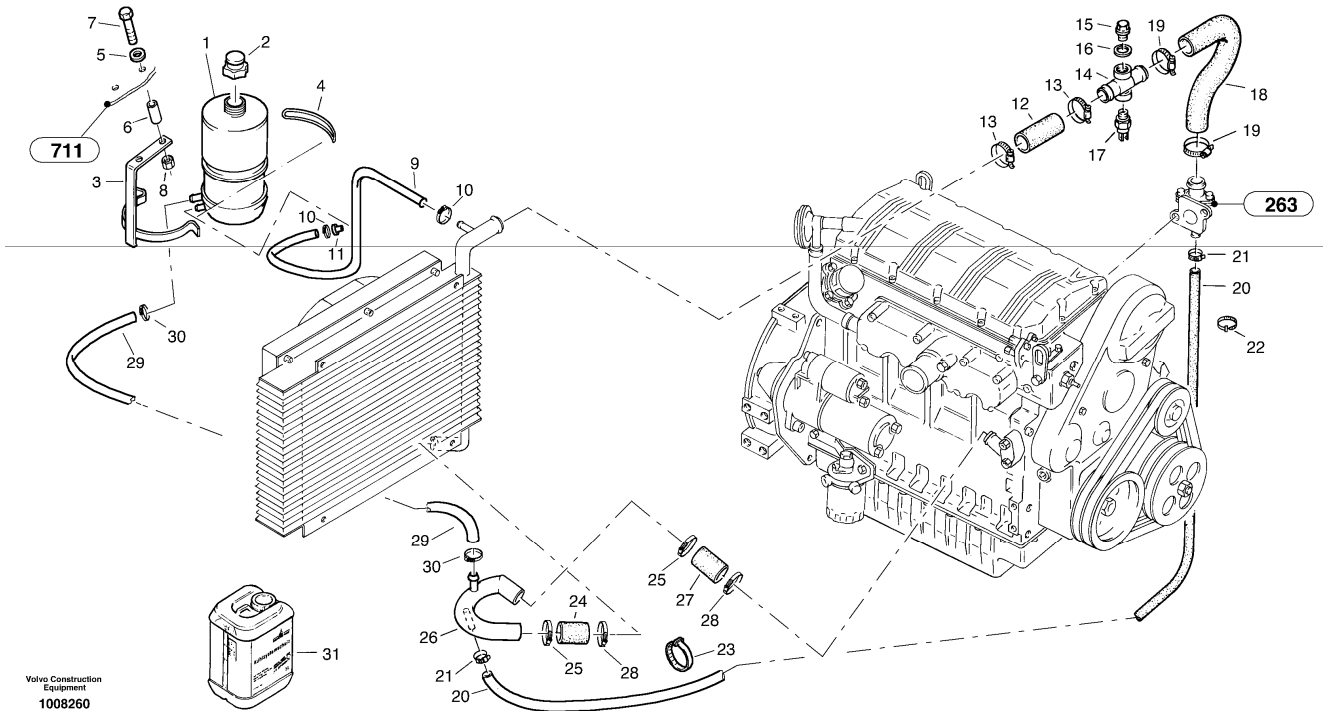
Date: 2013/11/5	Image id: 1008258	Catalogue: 07506	Model: ZL302C
Brand: Volvo	Serial: 2404001-2404999	Group/Section: 261/100	Title: Cooler with attaching parts



Volvo Construction
Equipment
1008258

Pos	Part	Q1	Q2	Q3	Q4	Q5	PS	Kit	Description	Option(s)	Remark
1	ZM2807612	1							Water cooler		
2	ZM2802147	1							•Water cooler		
3	VOE983241	6							•Hexagon screw		M8x16
4	VOE20460271	6							•Lock washer		(ZM7098323)A8
5	VOE13955894	6							•Washer		B8,4
6	ZM2905197	1					OP		•Fan hood		
7	ZM2905196	1							•Fan		
8	VOE13955247	4							•Screw		M5x20
9	ZM7098327	4							•Spring washer		A5
10	VOE13940090	4							•Washer		A5,3
11	VOE983242	4							Hexagon screw		M8x20
12	VOE11307560	4							Washer		(ZM7099092)8,4

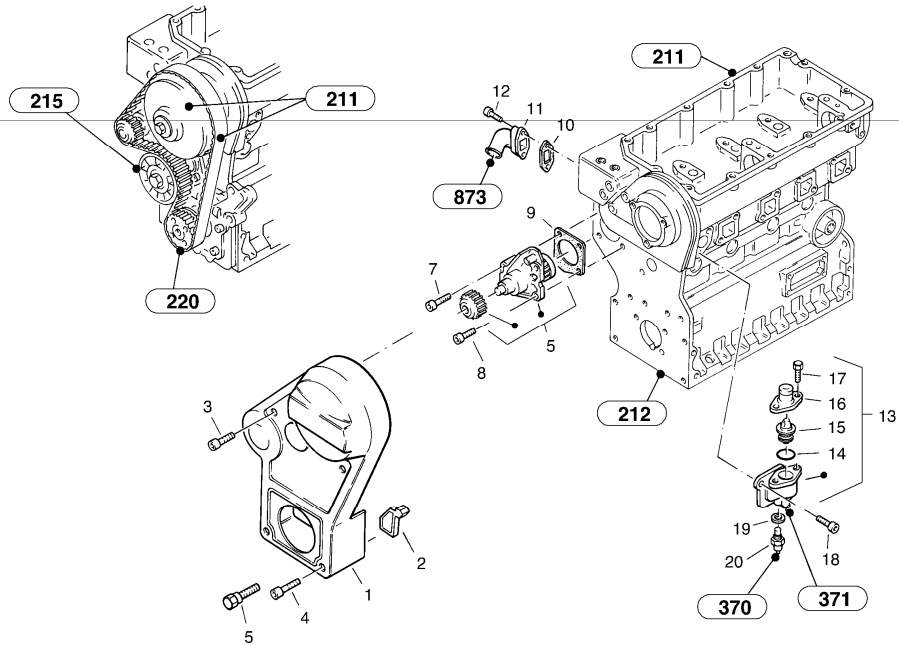
Date: 2013/11/5	Image id: 1008260	Catalogue: 07506	Model: ZL302C
Brand: Volvo	Serial: 2404001-2404999	Group/Section: 261/200	Title: Cooling pipes



Pos	Part	Q1	Q2	Q3	Q4	Q5	PS	Kit	Description	Option(s)	Remark
1	ZM2807605	1							Expansion tank		
2	ZM2807607	1							Radiator cap		
3	ZM2808117	1							Holder		
4	ZM2807606	1							Rubber bande		
5	ZM4333068	2							Washer		B6,4
6	ZM2196480	2							Pipe		
7	VOE955278	2							Hexagon screw		M6x50
8	ZM7098000	2							Nut		M6
9	ZM4383309	1							Rubber hose		(ZM2808120)L 700MM
10	VOE943470	2							Hose clamp		
11	ZM2808017	1							Shade		
12	ZM2805484	1							Hose		L = 80MM
13	VOE943475	2							Hose clamp		
14	ZM2807628	1							Intermediate piece		
15	ZM7099411	1							Screw plug		M22x1,5
16	ZM3401584	1							Seal		
17	ZM2802022	1							Regulator		
18	ZM2811476	1							Hose		
19	VOE943475	2							Hose clamp		

20	ZM2803830	1							Hose		(ZM2805487)
21	ZM2060780	2							Hose Clamp		AL12-20
22	ZM4375522	1							Cable clip		
23	VOE4881438	1							Cable tie		
24	ZM2805483	1					OP		Hose		-2405051 L = 110MM
25	ZM2806382	2							Hose Clamp		-2405051
26	ZM2811475	1							Hose		
27	ZM2805484	1							Hose		-2405051
28	VOE943475	2							Hose clamp		
29	ZM2808064	1							Hose		
30	ZM2060780	2							Hose Clamp		AL12-20
31	ZM2903057	REQ							Coolant		

Date: 2013/11/5	Image id: 1008279	Catalogue: 07506	Model: ZL302C
Brand: Volvo	Serial: 2404001-2404999	Group/Section: 262/100	Title: Water pump, Thermostat



Volvo Construction
Equipment
1008279

Pos	Part	Q1	Q2	Q3	Q4	Q5	PS	Kit	Description	Option(s)	Remark
1	VOE15024755	1							Guard		(ZM2900982)
2	ZM2901236	1							Profiled joint		
3	ZM2900981	1							Screw		
4	ZM2900980	4							Screw		
5	ZM2901009	2							Screw		
6	ZM2905966	1							Water pump		SB 10.089
7	ZM2901002	2					OP		Screw		
8	ZM2901003	2					OP		Screw		
9	ZM2900992	1							Gasket		
10	VOE15199865	1							Gasket		(ZM2900991)
11	ZM2900997	1							Inlet Pipe		
12	ZM2900996	2					OP		Screw		
13	ZM2901008	1							Thermostat		
14	ZM2901007	1							•O-ring		
15	ZM2901006	1							•Thermostat		
16	ZM2901005	1							•Flange		
17	ZM2900806	2					OP		•Screw		
18	ZM2900805	2							Screw		
19	ZM2901273	1							Sealing ring		
20	ZM2901274	1							Thermo Switch		



Suggest:

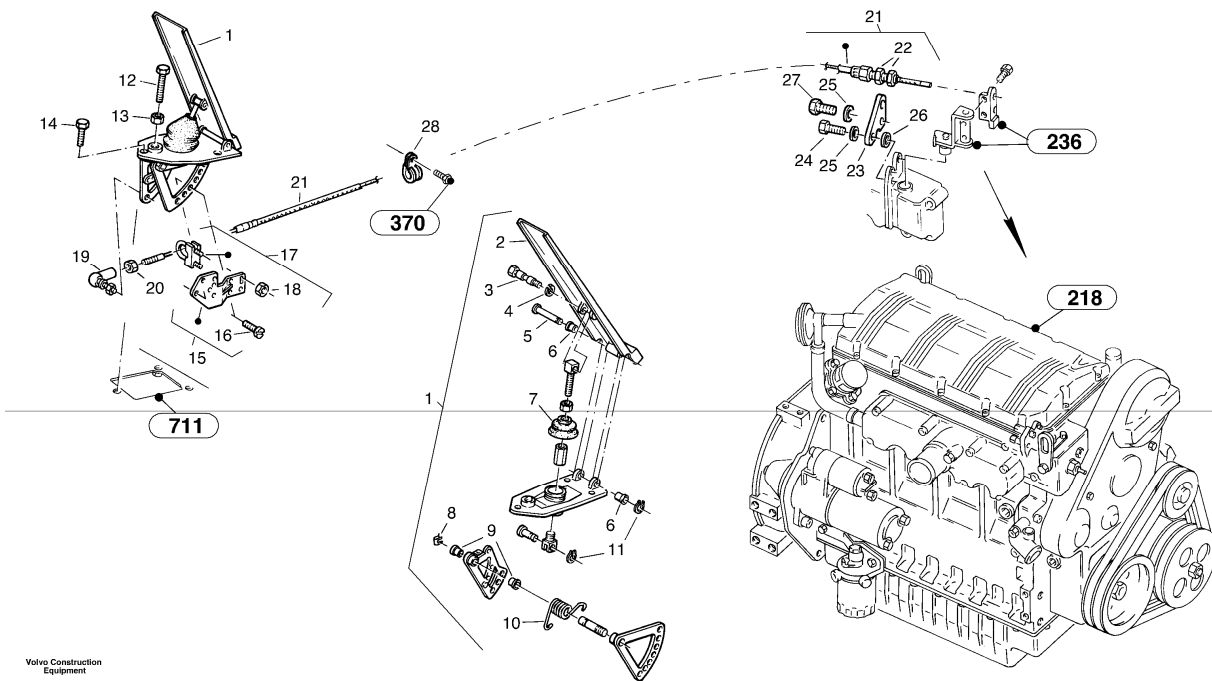
For more complete manuals. Please go to the home page.

<https://www.ebooklibonline.com>

If the above button click is invalid. Please download this document first, and then click the above link to download the complete manual.

Thank you so much for reading

Date: 2013/11/5	Image id: 1007550	Catalogue: 07506	Model: ZL302C
Brand: Volvo	Serial: 2404001-2404999	Group/Section: 271/100	Title: Speed control



Volvo Construction
Equipment
1007550

Pos	Part	Q1	Q2	Q3	Q4	Q5	PS	Kit	Description	Option(s)	Remark
1	ZM4377101	1							Pedal, cpl.		
2	ZM2276990	1							•Plate		
3	ZM2277000	1							•Bolt		
4	VOE20460271	1							•Lock washer		(ZM7098323)A8
5	ZM2277050	1							•Bolt		
6	ZM2284352	2							•Bush		
7	ZM2262600	1							•Boot		
8	ZM2277020	1							•Safety		
9	ZM2277010	2							•Bush		
10	ZM2277030	1							•Spring		
11	ZM7094870	2							•Safety		6x0,7
12	ZM5126006	1							Screw		M8x90
13	ZM7098010	1							Nut		M8
14	VOE1395272	3							Screw		M6x20
15	ZM4377096	1							Bearing		
16	ZM4331089	2							•Screw		M6x10

17	VOE11305476	1							Clamp		
18	VOE955780	2							•Hexagon nut		M5
19	VOE959079	1							Angle ball joint		AS10
20	ZM7098000	1							Nut		M6
21	ZM2802325	1							Rope wire		
22	ZM7098060	2							•Nut		BM10x1
23	ZM2803306	1							Retainer		
24	VOE13955272	2							Screw		M6x20
25	VOE955892	1							Washer		B6,4
26	ZM4333068	3							Washer		6,4
27	VOE955268	1							Hexagon screw		M6x10
28	VOE11306568	1							Clamp		(ZM4343098)

<https://www.ebooklibonline.com>

Hello dear friend!

Thank you very much for reading.

Enter the link into your browser.

The full manual is available for immediate download.

<https://www.ebooklibonline.com>