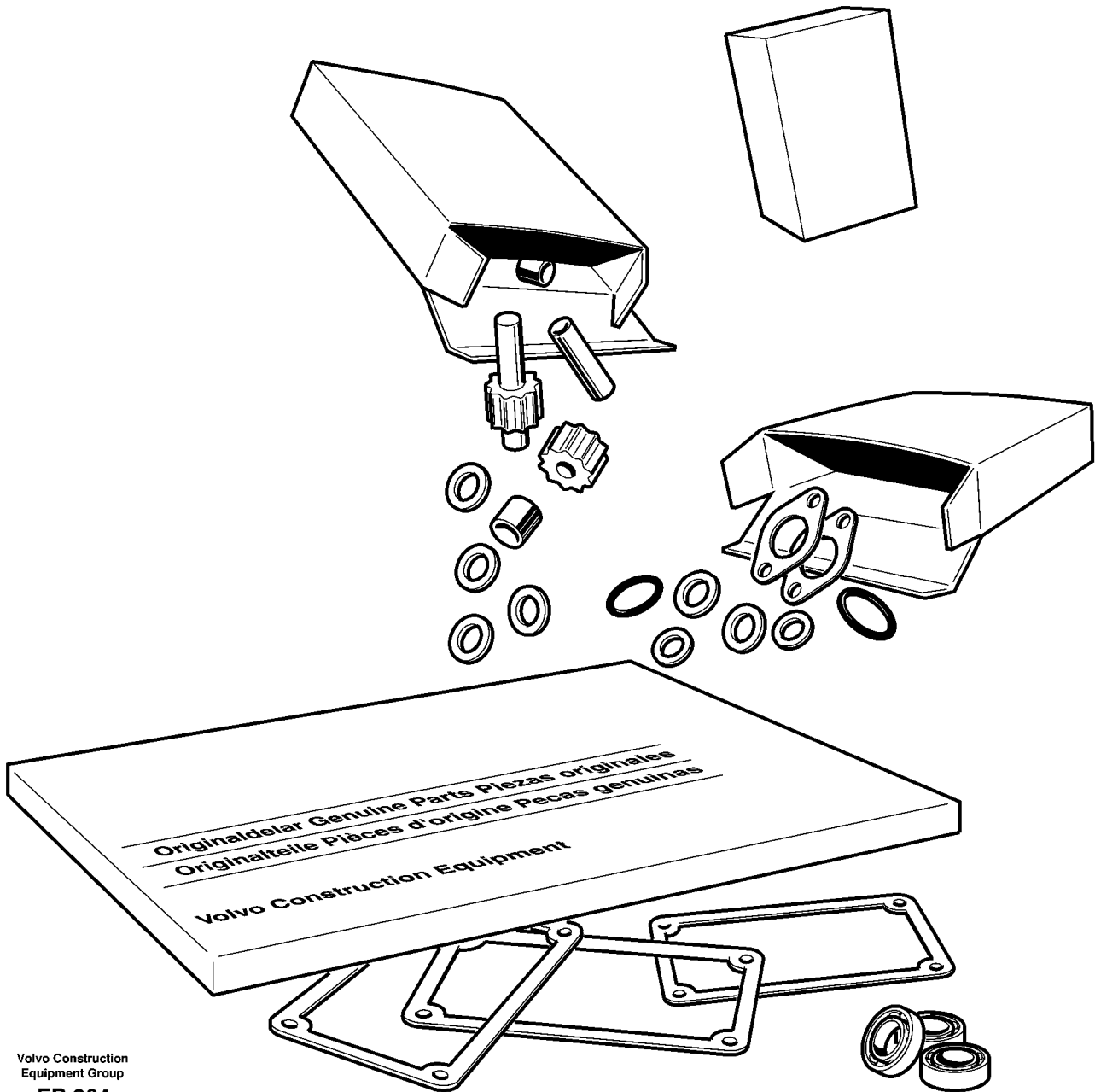


Date: 2014/1/15	Image id: EB264	Catalogue: 20201	Model: SD110
Brand: Volvo	Serial: 51481-52331, 8110011242-9999 9999999	Group/Section: 210/50	Title: Repair kits for engine S/N 51936 -

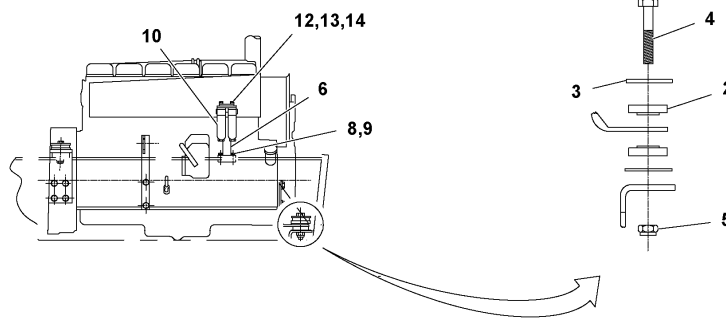
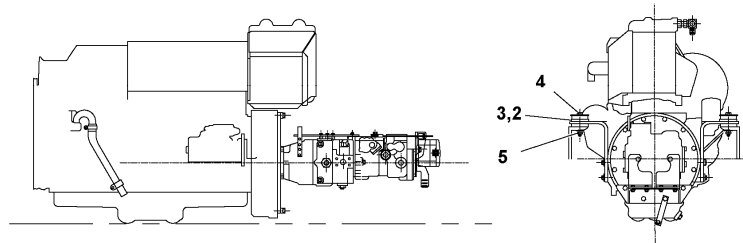


Volvo Construction
Equipment Group
EB 264

Pos	Part	Q1	Q2	Q3	Q4	Q5	PS	Kit	Description	Option(s)	Remark
		1					NS		Filter Kit		250H SERVICE
	VOE70929757	1							•Fuel filter		
	RM70098645	1							•Oil filter		

	RM43911650	2							•Suction filter		
		1					NS		Filter Kit		500H SERVICE
	VOE70929757	1							•Fuel filter		
	RM70098645	1							•Oil filter		
	RM43911650	2							•Suction filter		
	VOE12760431	1							•Air filter		
	VOE12760432	1							•Air filter		

Date: 2014/1/15	Image id: 1040433	Catalogue: 20201	Model: SD110
Brand: Volvo	Serial: 51481-52331, 8110011242-9999 9999999	Group/Section: 210/100	Title: Engine Installation Assembly S/N - 51935



Volvo Construction
Equipment
10xxxxx

Q1-Q5	Option	Option description	
Q1	70574538		

Pos	Part	Q1	Q2	Q3	Q4	Q5	PS	Kit	Description	Option(s)	Remark
2	RM59546812	8							Mounting plate		
3	RM94071909	8							Washer		
4	RM70154612	4							Bolt		
5	RM10641355	4							Hexagon nut		
6	RM70087721	1							Bracket		
8	RM96719604	2							Plain washer		
9	RM94042256	2							Hexagon screw		
10	RM70098637	1							Fuel filter		See footnote 3322)
	RM70082177	1							Fuel filter		
	RM70082185	1							Fuel filter		

<https://www.ebooklibonline.com>

Hello dear friend!

Thank you very much for reading.

Enter the link into your browser.

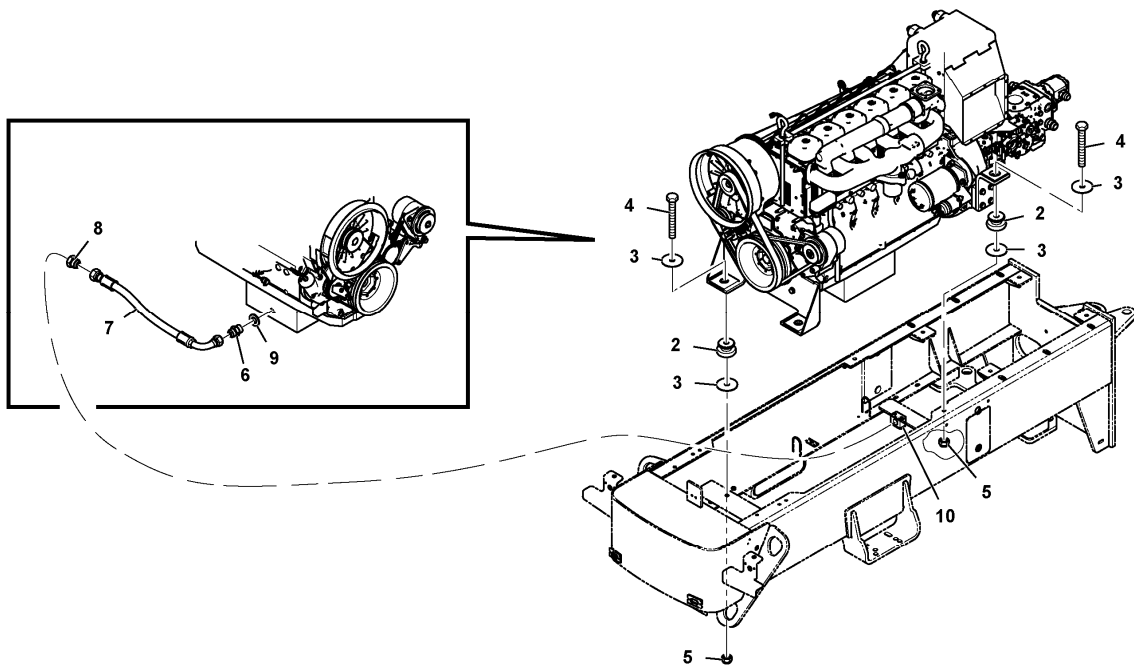
The full manual is available for immediate download.

<https://www.ebooklibonline.com>

12	RM96719604	2							Plain washer		
13	RM96720206	2							Hexagon screw		
14	RM96719174	2							Hexagon nut		

3322) Part of Engine

Date: 2014/1/15	Image id: 1056687	Catalogue: 20201	Model: SD110
Brand: Volvo	Serial: 51481-52331, 8110011242-9999 9999999	Group/Section: 210/125	Title: Engine Installation Assembly S/N 51936 -



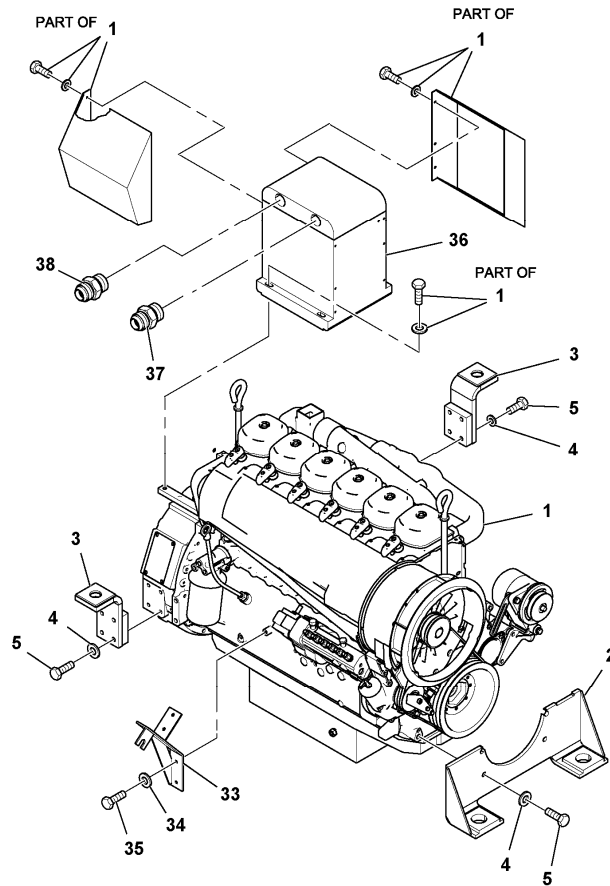
Volvo Construction
Equipment
1056687

Q1-Q5	Option	Option description	
Q1 70892906 70931290			

Pos	Part	Q1	Q2	Q3	Q4	Q5	PS	Kit	Description	Option(s)	Remark
2	RM13026810	4							Rubber damper		
3	RM94071909	8							Washer		
4	RM70151246	4							Hexagon screw		
5	RM96742663	4							Nut Nylock M16		
6	RM94037348	1							Adapter		
7	RM94146917	1							Hydraulic hose		S/N - 52022
7	RM97122444	1							Hydraulic hose		S/N 52023 -
8	RM95382206	1							Plug		
9	RM96712203	1							Seal ring		
10	RM13907530	1							Clamp		See footnote 3322)

3322) Part of Engine

Date: 2014/1/15	Image id: 1040463	Catalogue: 20201	Model: SD110
Brand: Volvo	Serial: 51481-52331, 8110011242-9999 9999999	Group/Section: 210/150	Title: Engine assembly S/N - 51935

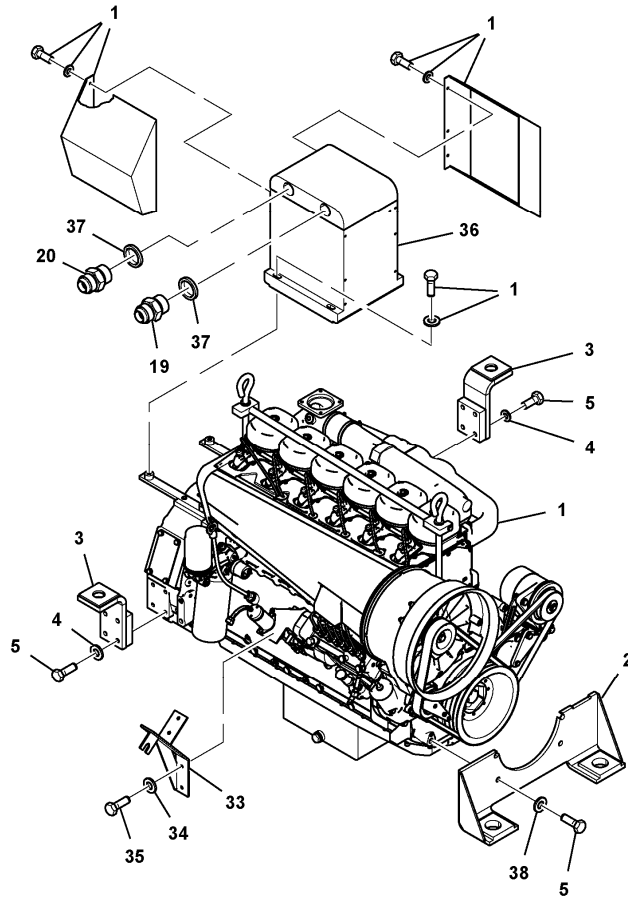


Volvo Construction
Equipment
10xxxxx

Q1-Q5	Option	Option description	
Q1 70914981			

Pos	Part	Q1	Q2	Q3	Q4	Q5	PS	Kit	Description	Option(s)	Remark
1	RM70913058	1							Engine		
	RM70098645	1							Oil filter		
	RM70149125	1							Oil filter		
2	RM70138615	1							Engine anchorage		
3	RM70072723	2							Mounting plate		
4	RM96738596	8							Washer		
5	RM96720750	8							Hexagon screw		
33	RM70076955	1							Bracket		
34	RM96719745	2							Plain washer		
35	RM96718820	2							Hexagon screw		

Date: 2014/1/15	Image id: 1056569	Catalogue: 20201	Model: SD110
Brand: Volvo	Serial: 51481-52331, 8110011242-9999 9999999	Group/Section: 210/200	Title: Engine assembly S/N 51936 -

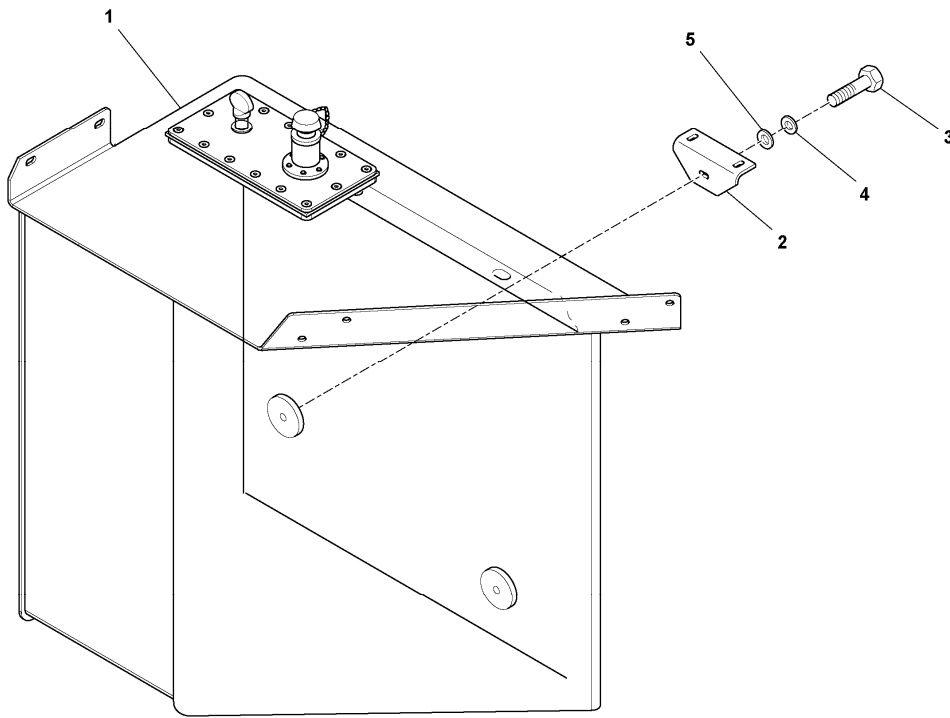


Volvo Construction
Equipment
1056569

Q1-Q5	Option	Option description	
Q1 70892898 70931282			

Pos	Part	Q1	Q2	Q3	Q4	Q5	PS	Kit	Description	Option(s)	Remark
1	RM70910724	1							Engine		
2	RM70897863	1							Weldment Front		
3	RM70888060	2							Weldment, Rear		
4	RM96738596	8							Washer		
5	RM96720750	8							Hexagon screw		
19	RM70074380	1							Adapter		
20	RM70577432	1							Adapter		
33	RM70908256	1							Weldment Thrott		
34	RM96719745	2							Plain washer		
35	RM96718820	2							Hexagon screw		

Date: 2014/1/15	Image id: 1040445	Catalogue: 20201	Model: SD110
Brand: Volvo	Serial: 51481-52331, 8110011242-9999 9999999	Group/Section: 234/100	Title: Fuel Tank Installation S/N - 51935

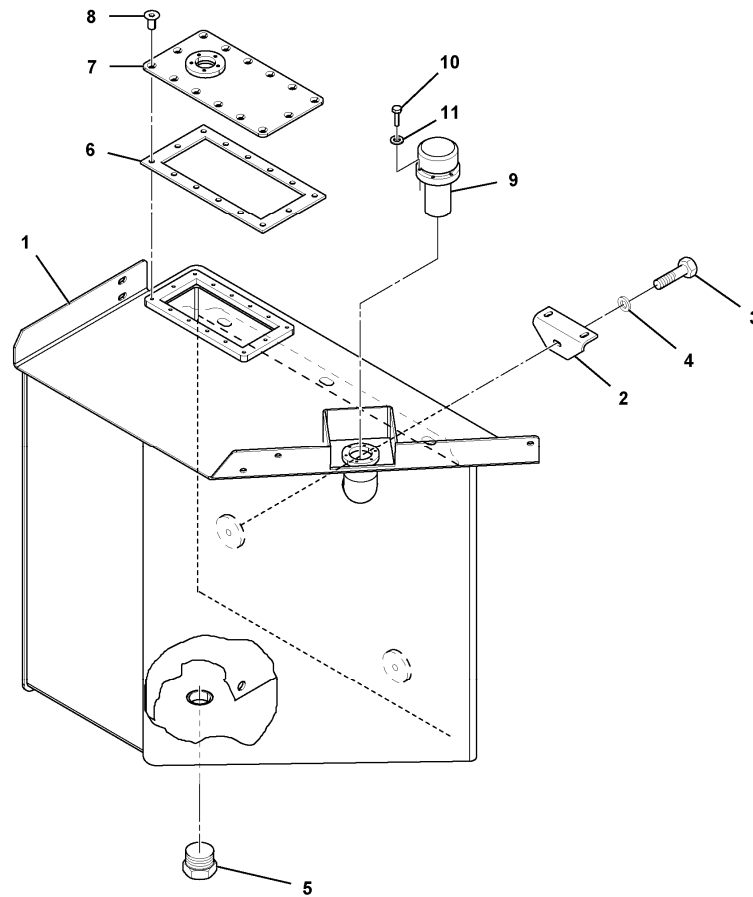


Volvo Construction
Equipment
10xxxxx

Q1-Q5	Option	Option description	
Q1	70645015		

Pos	Part	Q1	Q2	Q3	Q4	Q5	PS	Kit	Description	Option(s)	Remark
1	RM70566526	1					NS		Fuel tank		See ref 234/150
2	RM70567342	1							Mounting plate		
3	RM96718903	1							Hexagon screw		
4	RM96712237	1							Plain washer		

Date: 2014/1/15	Image id: 1056577	Catalogue: 20201	Model: SD110
Brand: Volvo	Serial: 51481-52331, 8110011242-9999 9999999	Group/Section: 234/125	Title: Fuel Tank Installation S/N 51936 - , SD110D

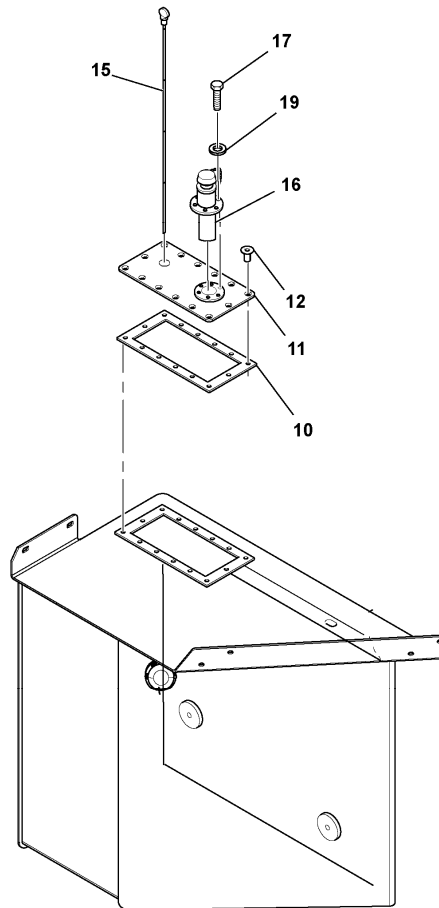


Volvo Construction
Equipment
1056577

Q1-Q5	Option	Option description	
Q1 70893128			

Pos	Part	Q1	Q2	Q3	Q4	Q5	PS	Kit	Description	Option(s)	Remark
1	RM70893136	1							Weldment Tank F		
2	RM70567342	1							Mounting plate		
3	RM96702444	1							Hexagon screw		
4	RM96712237	1							Plain washer		
5	RM95943015	1					NS		Plug		
6	RM70566088	1							Gasket		
7	RM70894464	1							Plate Lid Clean		
8	RM96721196	14							Screw		
9	RM70629399	1							Breather cap		
10	RM96742416	6							Screw		

Date: 2014/1/15	Image id: 1040431	Catalogue: 20201	Model: SD110
Brand: Volvo	Serial: 51481-52331, 8110011242-9999 9999999	Group/Section: 234/150	Title: Fuel Tank Assembly 70566526

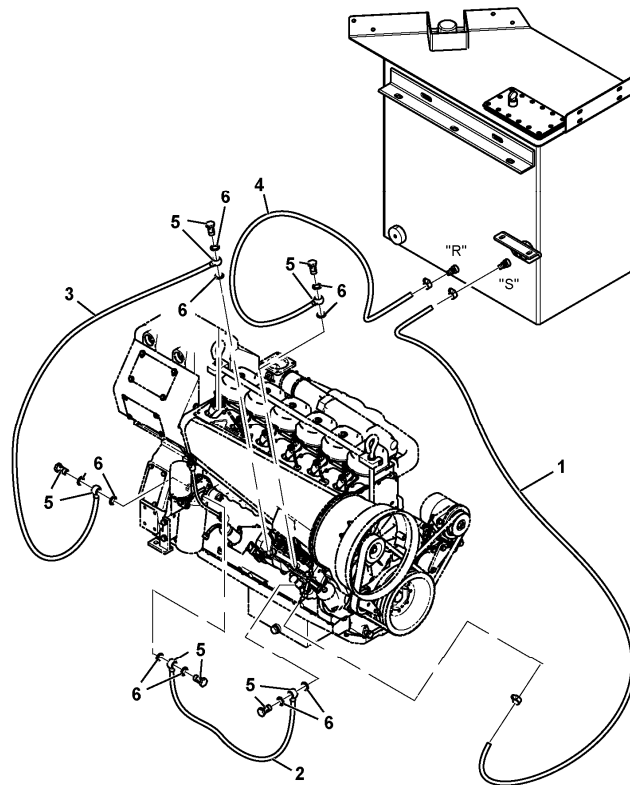


Volvo Construction
Equipment
10xxxxx

Q1-Q5	Option	Option description	
Q1	70566526		

Pos	Part	Q1	Q2	Q3	Q4	Q5	PS	Kit	Description	Option(s)	Remark
10	RM70566088	1							Gasket		
11	RM70566583	1							Lid		
12	RM70131602	14							Screw		
16	RM70701412	1							Venting		
17	RM96702386	6							Hexagon screw		
19	RM96742788	6							Washer		
15	RM70863261	1							Dipstick		

Date: 2014/1/15	Image id: 1056691	Catalogue: 20201	Model: SD110
Brand: Volvo	Serial: 51481-52331, 8110011242-9999 9999999	Group/Section: 235/100	Title: Fuel system. S/N 51936 -

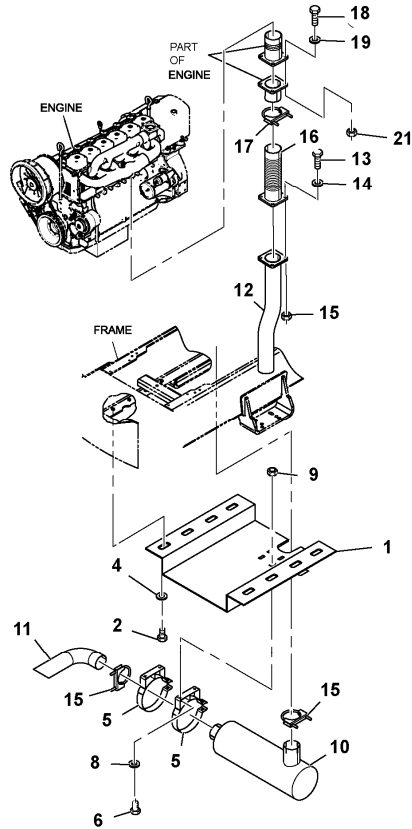


Volvo Construction
Equipment
1056691

Q1-Q5	Option	Option description	
Q1 70917331			

Pos	Part	Q1	Q2	Q3	Q4	Q5	PS	Kit	Description	Option(s)	Remark
1	RM70098553	2							Fuel hose		
3	70917356	2					NS		Fuel hose		
5	70098587	4					NS		Banjo bolt		
6	70098595	8					NS		Copper Washer		

Date: 2014/1/15	Image id: 1040436	Catalogue: 20201	Model: SD110
Brand: Volvo	Serial: 51481-52331, 8110011242-9999 9999999	Group/Section: 252/100	Title: Exhaust Muffler Mounting Assembly S/N - 51935



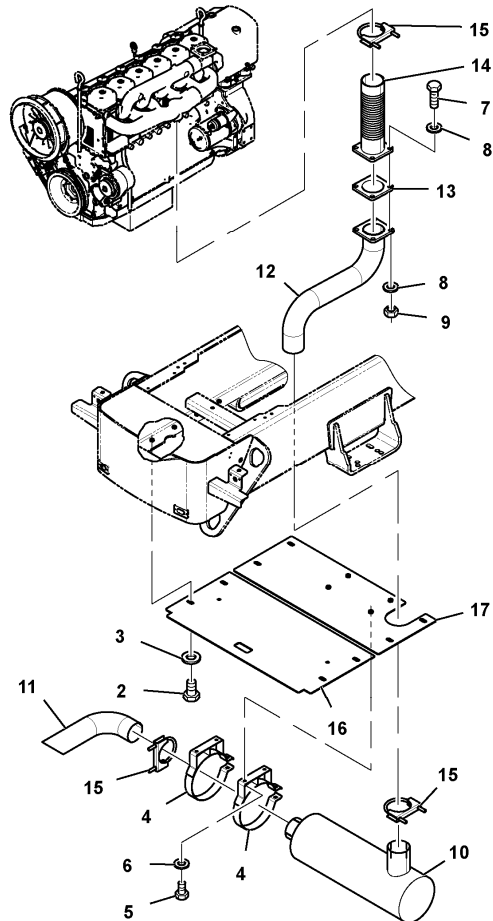
Volvo Construction
Equipment
1040436

Q1-Q5	Option	Option description	
Q1 70611405			

Pos	Part	Q1	Q2	Q3	Q4	Q5	PS	Kit	Description	Option(s)	Remark
1	RM70838941	1							Cover plate		
2	RM96718887	8							Hexagon screw		
4	RM96719604	8							Plain washer		
5	RM70000807	2							Clamp		
6	RM96713318	4							Hexagon screw		
8	RM96719646	4							Plain washer		
9	VOE971071	4							Hexagon nut		
10	RM70126628	1							Silencer		
11	RM70647672	1							Exhaust pipe		
12	RM70838958	1							Adapter		

13	RM96704960	1							Hexagon screw		(RM96713375)
14	RM96719646	1							Plain washer		
15	VOE971071	1							Hexagon nut		
16	RM70605647	1							Exhaust pipe		
17	RM70086723	3							Clamp		
18	RM96713466	4							Hexagon screw		
19	RM96719604	4							Plain washer		
21	RM94114469	4							Hexagon nut		

Date: 2014/1/15	Image id: 1056690	Catalogue: 20201	Model: SD110
Brand: Volvo	Serial: 51481-52331, 8110011242-9999 9999999	Group/Section: 252/150	Title: Exhaust Muffler Mounting Assembly S/N 51936 -



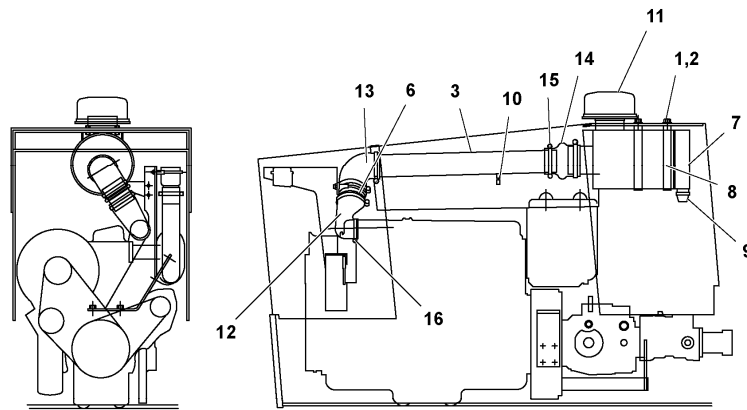
Volvo Construction
Equipment
1056690

Q1-Q5	Option	Option description	
Q1 70892955			

Pos	Part	Q1	Q2	Q3	Q4	Q5	PS	Kit	Description	Option(s)	Remark
2	RM96702329	8							Hexagon screw		
3	RM96738596	8							Washer		
4	RM70000807	2							Clamp		
5	RM96718820	4							Hexagon screw		
6	RM96741038	4							Washer		
7	RM96704556	4							Hexagon screw		
8	RM96741046	8							Plain washer		
9	RM96704614	4							Nut		
10	RM70126628	1							Silencer		
11	RM70647672	1							Exhaust pipe		

12	RM70888086	1							Weldment Adapto		
13	RM70899455	1							Gasket Exhaust		
14	RM70899398	1							Bellows Expansi		
15	RM70086723	3							Clamp		
16	RM46686366							NS	Cover		
17	RM46686382	1						NS	Cover		

Date: 2014/1/15	Image id: 1040430	Catalogue: 20201	Model: SD110
Brand: Volvo	Serial: 51481-52331, 8110011242-9999 9999999	Group/Section: 256/100	Title: Air cleaner installation S/N - 51935



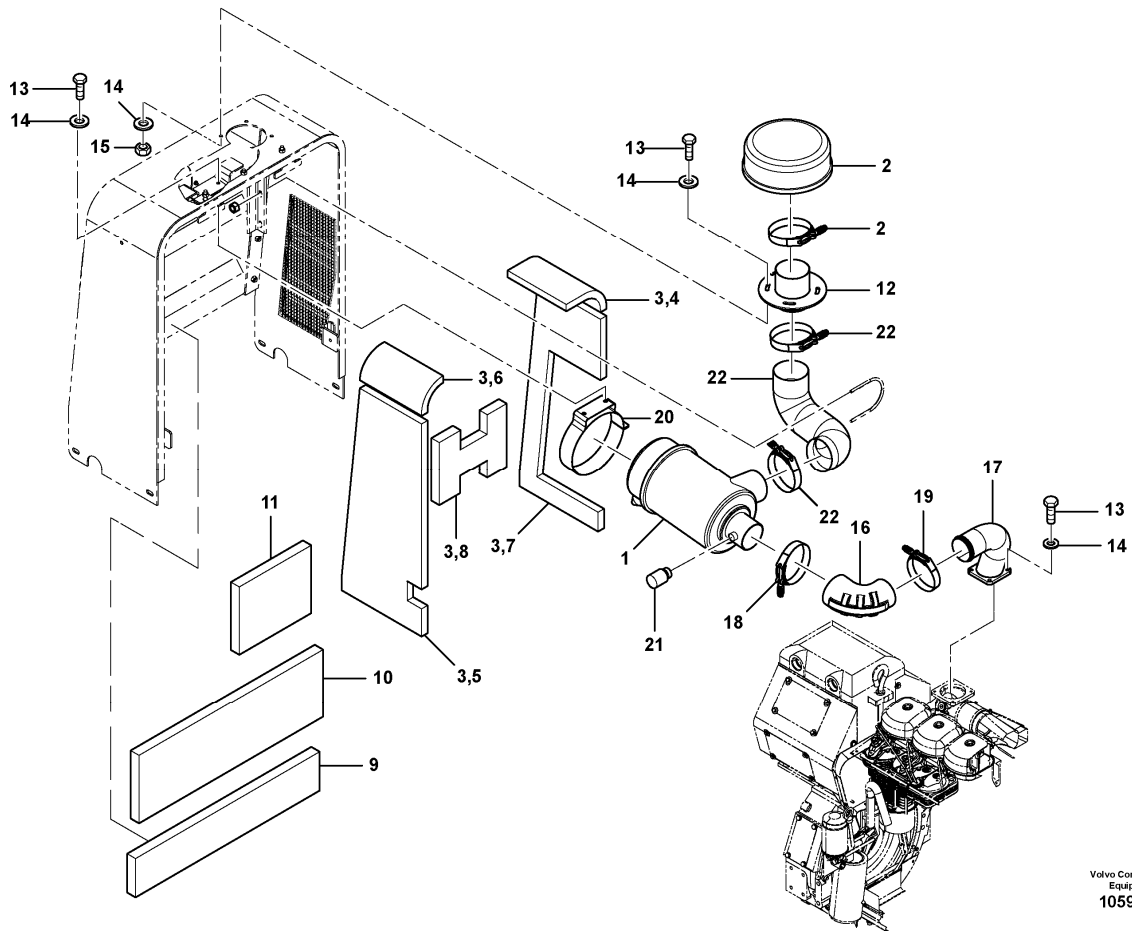
Volvo Construction
Equipment
10xxxxx

Q1-Q5	Option	Option description	
Q1	70146113		

Pos	Part	Q1	Q2	Q3	Q4	Q5	PS	Kit	Description	Option(s)	Remark
1	RM96713326	4							Hexagon screw		
2	RM58838384	4							Hexagon nut		
3	RM70077060	1							Inlet pipe		
6	RM70079579	1							Connector		
7	RM70079546	1							Primary filter		
	RM70543905	1							Air filter		
	RM70543913	1							Air filter		
8	RM70079561	2							Clamp		
9	RM70098538	1							Valve		
10	RM70079520	1							Indicator		

11	RM70079553	1							Pre-cleaner		
12	RM70079496	1							Hose		
13	RM70079504	1							Hose		
14	RM70079512	1							Hose		
15	RM70099601	5							Clip		
16	RM70099593	1							Hose clamp		

Date: 2014/1/15	Image id: 1059724	Catalogue: 20201	Model: SD110
Brand: Volvo	Serial: 51481-52331, 8110011242-9999 9999999	Group/Section: 256/150	Title: Air cleaner installation S/N 51936 -



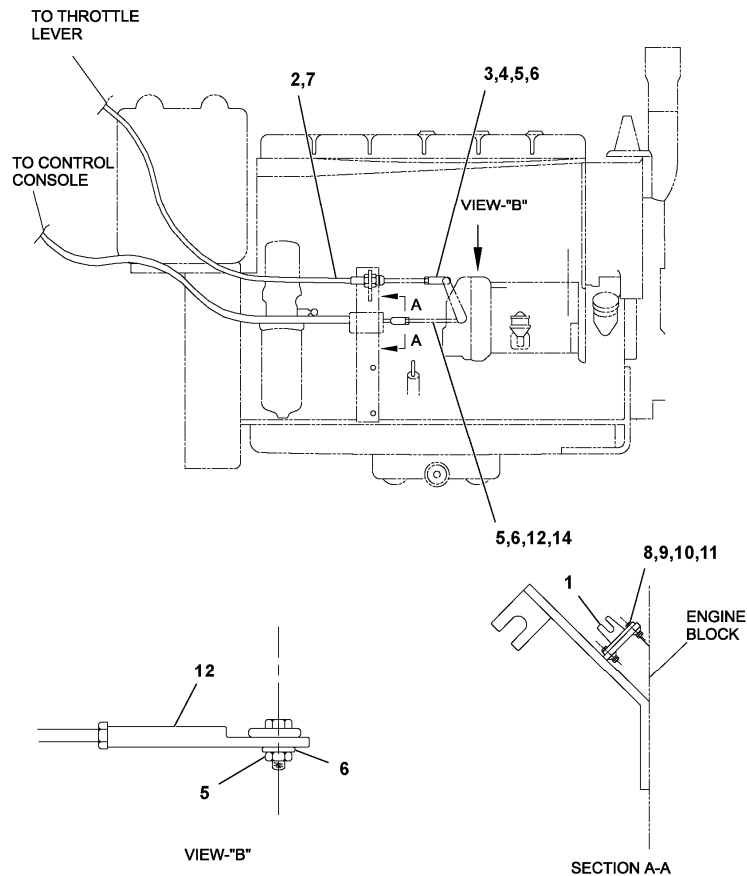
Volvo Construction
Equipment
1059724

Q1-Q5	Option	Option description	
Q1	70893599		

Pos	Part	Q1	Q2	Q3	Q4	Q5	PS	Kit	Description	Option(s)	Remark
1	RM70893607	1							Assembly Air Cl		
2	RM70861984	1							Dust cover		
3	RM70918883								Sound absorber		
4	VOE12761000								Sound absorber		
5	VOE12761001								Sound absorber		
6	VOE12761002								Sound absorber		
7	VOE12761003								Sound absorber		
8	VOE12761004								Sound absorber		
9	RM70918974	1							Sound absorber		
10	RM70918982	1							Sound absorber		

11	RM70921838	1							Sound absorber		
12	RM70921770	1							Inlet pipe		
13	RM96702659	10							Hexagon screw		
14	RM96741020	14							Washer		
15	RM96701370	4							Nut		
16	RM70885041	1							Elbow Reducer 7		
17	RM70921754	1							Inlet pipe		
18	RM70893748	1							Clamp		
19	RM70893755	1							Clamp		
20	RM70899380	1							Strap		
21	RM70079520	1							Indicator		
22	RM70875844	1							Hose Flexible		

Date: 2014/1/15	Image id: 1040429	Catalogue: 20201	Model: SD110
Brand: Volvo	Serial: 51481-52331, 8110011242-9999 9999999	Group/Section: 272/100	Title: Throttle Installation Assembly S/N - 51935



Volvo Construction
Equipment
10xxxxx

Q1-Q5	Option	Option description	
Q1 70146105			

Pos	Part	Q1	Q2	Q3	Q4	Q5	PS	Kit	Description	Option(s)	Remark
1	RM70577614	1							Throttle control		
2	RM70186572	1							Throttle control cable		
3	RM70081302	1							Clevis		
4	RM96714266	1							Hexagon screw		
5	RM70036470	2							Hexagon screw		
6	RM96719729	4							Plain washer		
7	RM70037494	1							Double clamp		
8	RM96714258	4							Hexagon screw		
10	RM96719729	4							Plain washer		
11	RM96712781	4							Hexagon nut		



Suggest:

For more complete manuals. Please go to the home page.

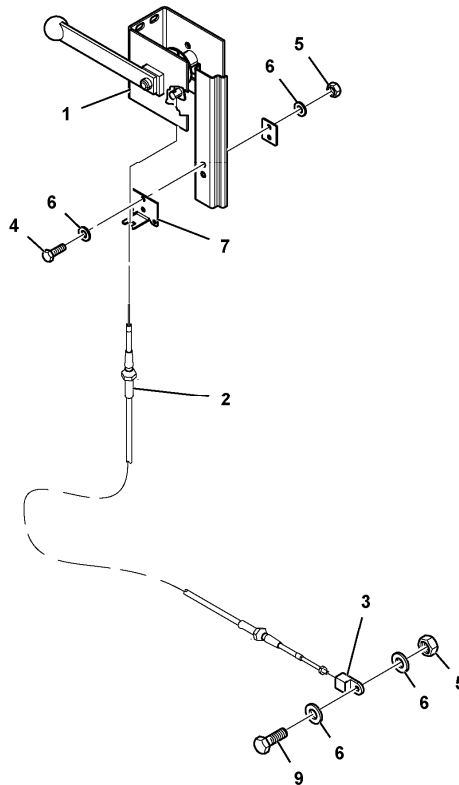
<https://www.ebooklibonline.com>

If the above button click is invalid. Please download this document first, and then click the above link to download the complete manual.

Thank you so much for reading

12	RM70541016	1							Clevis		
14	RM96714241	1							Hexagon screw		

Date: 2014/1/15	Image id: 1056692	Catalogue: 20201	Model: SD110
Brand: Volvo	Serial: 51481-52331, 8110011242-9999 9999999	Group/Section: 272/150	Title: Throttle Installation Assembly S/N 51936 -



Volvo Construction
Equipment
1056692

Q1-Q5	Option	Option description	
Q1 70893409			

Pos	Part	Q1	Q2	Q3	Q4	Q5	PS	Kit	Description	Option(s)	Remark
1	RM70612841	1							Hand control throttle		
2	RM70538962	1					OP		Throttle cable control		
3	RM70541016	1							Clevis		
4	RM96701461	5							Hexagon screw		
5	RM96704176	6							Hexagon nut		
6	RM96741053	8							Washer		
7	RM70037494	1							Double clamp		
9	RM96701958	1							Hexagon screw		

<https://www.ebooklibonline.com>

Hello dear friend!

Thank you very much for reading.

Enter the link into your browser.

The full manual is available for immediate download.

<https://www.ebooklibonline.com>