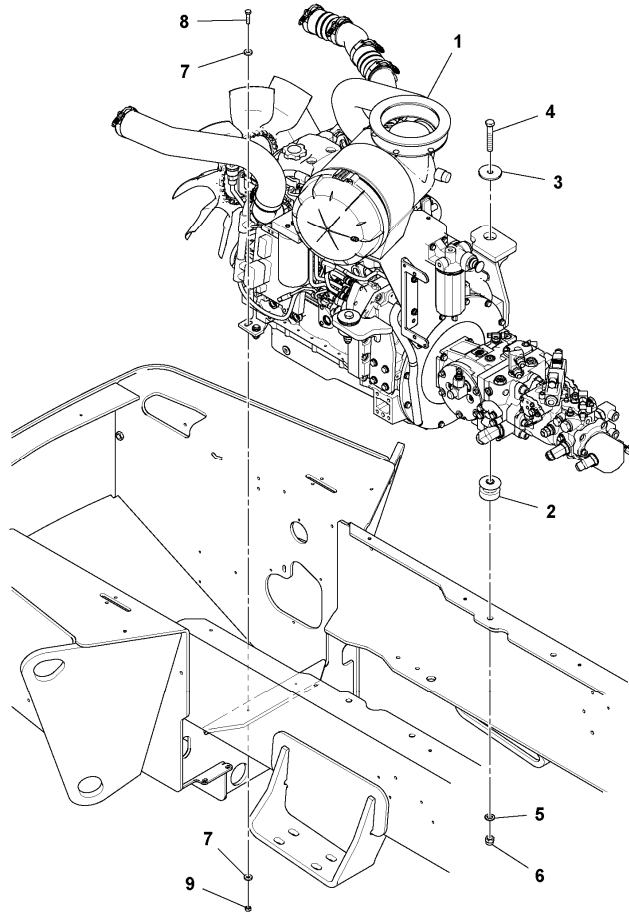


| | | | |
|---------------------------|---------------------------------|----------------------------------|--|
| Date: 2014/1/15 | Image id: 1051284 | Catalogue: 20178 | Model: SD105F |
| Brand: Volvo | Serial: 197642-999999 | Group/Section: 210/100 | Title: Engine Installation 13886551_80844749 |



| Section option | Kit | Option description |
|----------------|-----|---------------------|
| RM13886551 | | Engine Installation |

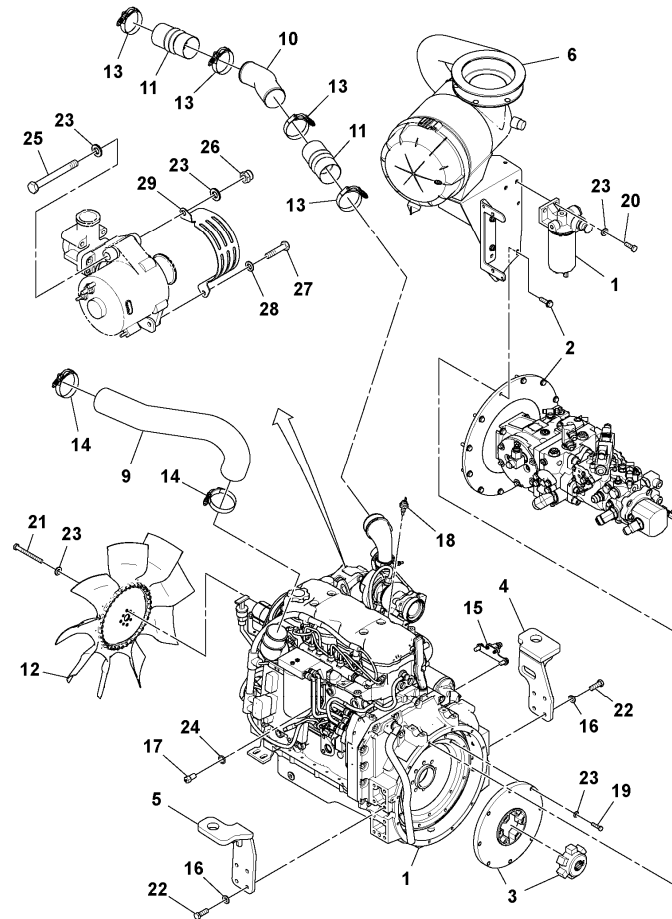
| Q1-Q5 | Option | Option description |
|---------------------|--------|--------------------|
| Q1 43809854_0A01 | | |

| Pos | Part | Q1 | Q2 | Q3 | Q4 | Q5 | PS | Kit | Description | Option(s) | Remark |
|-----|------------|----|----|----|----|----|----|-----|----------------|-----------|-----------------|
| 1 | | 1 | | | | | | | Engine | | See ref 210/150 |
| 2 | RM59127720 | 2 | | | | | | | Mounting plate | | |
| 3 | RM58879768 | 2 | | | | | | | Washer | | |
| 4 | RM96739982 | 2 | | | | | | | Hexagon screw | | |
| 5 | RM96738612 | 2 | | | | | | | Plain washer | | |
| 6 | RM96704630 | 2 | | | | | | | Nut | | |
| 7 | RM96711833 | 8 | | | | | | | Washer | | |
| 8 | RM96704556 | 4 | | | | | | | Hexagon screw | | |

| | | | | | | | | | | | |
|----|-----------|---|--|--|--|--|--|--|-------------|--|---------------------------------------|
| 9 | VOE971071 | 4 | | | | | | | Hexagon nut | | |
| 10 | | 1 | | | | | | | Fuel line | | See footnote 2624) See ref 235/100 |

2624) Not Shown

| | | | |
|---------------------------|---------------------------------|----------------------------------|--|
| Date: 2014/1/15 | Image id: 1051529 | Catalogue: 20178 | Model: SD105F |
| Brand: Volvo | Serial: 197642-999999 | Group/Section: 210/150 | Title: Engine assembly 13886569_80844806 |



| Q1-Q5 | Option | Option description | |
|---------------------|--------|--------------------|--|
| Q1 43809748_0D01 | | | |

| Pos | Part | Q1 | Q2 | Q3 | Q4 | Q5 | PS | Kit | Description | Option(s) | Remark |
|-----|------------|----|----|----|----|----|----|-----|--------------------|-----------|-----------------|
| 1 | RM13886452 | 1 | | | | | OP | | Engine | | S/N - 225834 |
| 1 | RM46673950 | 1 | | | | | | | Engine | | S/N 225835 - |
| | RM13852256 | 1 | | | | | | | •Alternator | | |
| | RM19295872 | 1 | | | | | | | •Fuel filter | | |
| | RM43802263 | 1 | | | | | | | •Fuel filter | | |
| | RM13284617 | 1 | | | | | | | •Oil filter | | |
| | RM43821180 | 1 | | | | | | | •Fan belt | | |
| | RM19295856 | 1 | | | | | | | •Starter apparatus | | |
| 2 | | 1 | | | | | | | Pump Stack | | See ref 913/100 |
| 3 | RM59286336 | 1 | | | | | | | Flywheel | | |
| 4 | RM13886890 | 1 | LH | | | | | | Engine anchorage | | S/N - 225130 |

<https://www.ebooklibonline.com>

Hello dear friend!

Thank you very much for reading.

Enter the link into your browser.

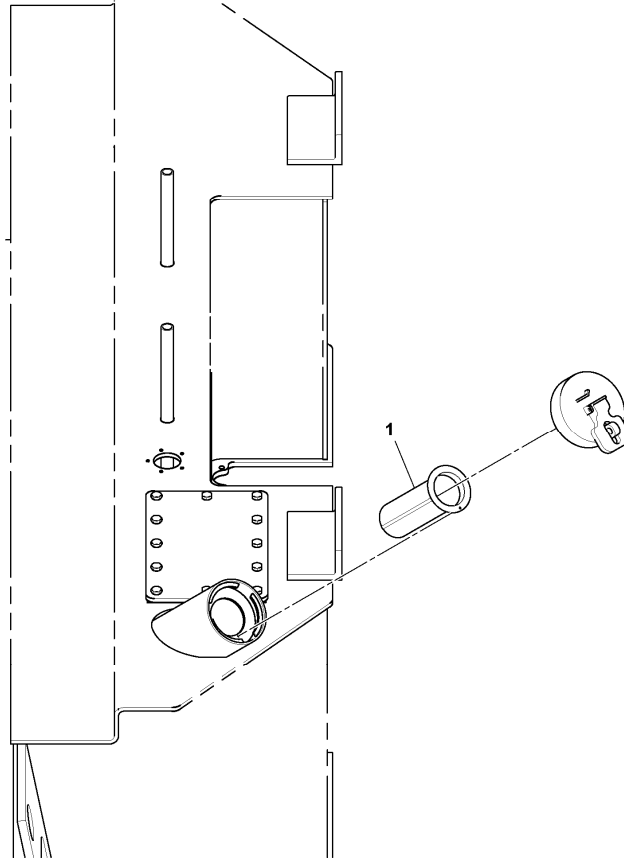
The full manual is available for immediate download.

<https://www.ebooklibonline.com>

| | | | | | | | | | | | |
|----|------------|----|----|--|--|--|--|--|---------------------|--|--------------------|
| 5 | RM13886924 | 1 | RH | | | | | | Engine anchorage | | |
| 6 | | 1 | | | | | | | Air Cleaner | | See ref 256/100 |
| 9 | RM13887260 | 1 | | | | | | | Hose | | |
| 10 | RM13887252 | 1 | | | | | | | Hose | | |
| 11 | RM13232202 | 2 | | | | | | | Connector | | |
| 12 | RM13217500 | 1 | | | | | | | Cooling fan suction | | |
| 13 | RM54680079 | 4 | | | | | | | Clamp | | |
| 14 | RM54680087 | 2 | | | | | | | Clamp | | |
| 15 | | 1 | | | | | | | Insulated Stud | | See ref 371/100 |
| 16 | RM96738596 | 8 | | | | | | | Washer | | |
| 17 | RM19285584 | 1 | | | | | | | Temperature sensor | | |
| 18 | RM13491691 | 1 | | | | | | | Contact | | |
| 19 | RM95919254 | 8 | | | | | | | Hexagon screw | | |
| 20 | RM96701917 | 2 | | | | | | | Hexagon screw | | |
| 21 | RM96720594 | 4 | | | | | | | Hexagon screw | | |
| 22 | RM96702329 | 8 | | | | | | | Hexagon screw | | |
| 23 | RM96741046 | 16 | | | | | | | Plain washer | | |
| 24 | RM95018065 | 1 | | | | | | | O-ring | | |
| 25 | RM96715602 | 1 | | | | | | | Hexagon screw | | |
| 26 | RM96704614 | 1 | | | | | | | Nut | | |
| 27 | RM96705587 | 1 | | | | | | | Hexagon screw | | |
| 28 | RM96741038 | 1 | | | | | | | Washer | | |
| 29 | RM43855626 | 1 | | | | | | | Guard | | |
| 30 | RM95373973 | 3 | | | | | | | Locking wire | | See footnote 2624) |

2624) Not Shown

| | | | |
|---------------------------|---------------------------------|----------------------------------|--|
| Date: 2014/1/15 | Image id: 1035757 | Catalogue: 20178 | Model: SD105F |
| Brand: Volvo | Serial: 197642-999999 | Group/Section: 233/100 | Title: Fuel Strainer Installation 13235015 |



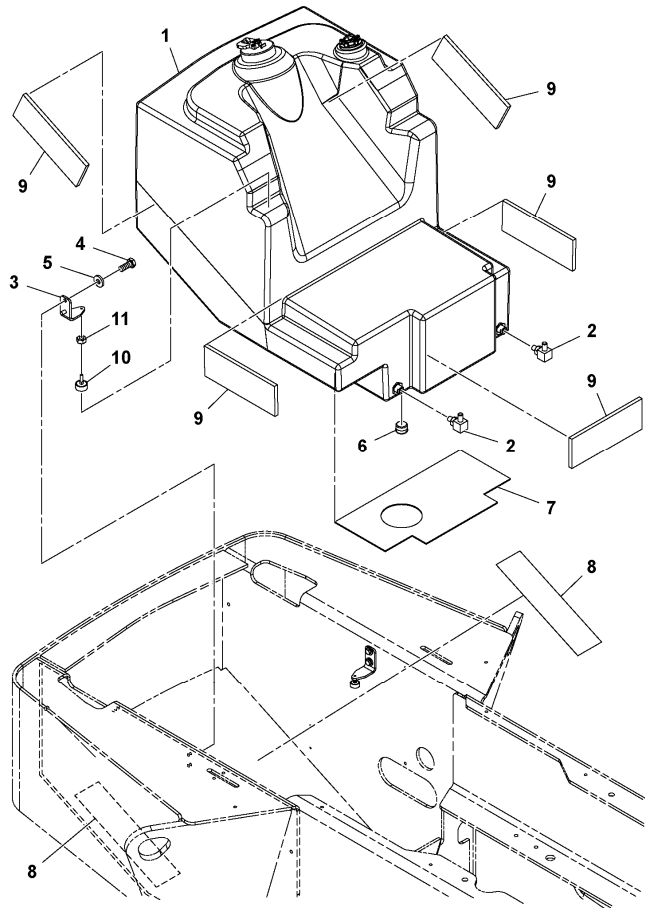
| Section option | Kit | Option description |
|----------------|-----|---------------------|
| RM13235015 | | Fuel Fill Strainer. |

Section footnote 2586) Optional

| Q1-Q5 | Option | Option description |
|---------------------|--------|--------------------|
| Q1 13235015_0001 | | |

| Pos | Part | Q1 | Q2 | Q3 | Q4 | Q5 | PS | Kit | Description | Option(s) | Remark |
|-----|------------|----|----|----|----|----|----|-----|-------------|-----------|--------|
| 1 | RM13235007 | 1 | | | | | | | Strainer | | |

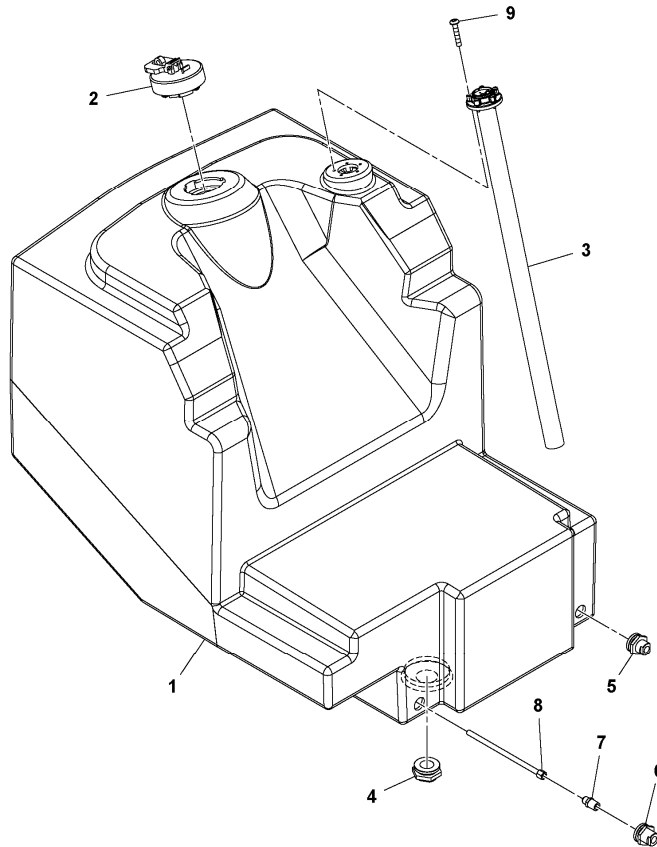
| | | | |
|---------------------------|---------------------------------|----------------------------------|--|
| Date: 2014/1/15 | Image id: 1037299 | Catalogue: 20178 | Model: SD105F |
| Brand: Volvo | Serial: 197642-999999 | Group/Section: 234/100 | Title: Fuel Tank Installation 13166301 |



| Q1-Q5 | Option | Option description | |
|---------------------|--------|--------------------|--|
| Q1 13184205_0301 | | | |

| Pos | Part | Q1 | Q2 | Q3 | Q4 | Q5 | PS | Kit | Description | Option(s) | Remark |
|-----|------------|----|----|----|----|----|----|-----|-----------------|-----------|-----------------|
| 1 | | 1 | | | | | | | Fuel tank | | See ref 234/150 |
| 2 | RM95329975 | 2 | | | | | | | Adapter | | |
| 3 | RM13418215 | 2 | | | | | | | Bracket | | |
| 4 | RM96702287 | 4 | | | | | | | Hexagon screw | | |
| 5 | RM96711833 | 4 | | | | | | | Washer | | |
| 6 | RM59144428 | 1 | | | | | | | Magnetic plug | | |
| 7 | RM19331032 | 1 | | | | | | | Tank protection | | |
| 8 | RM59290726 | 2 | | | | | OP | | Tape | | |
| 9 | RM13184932 | 5 | | | | | OP | | Guard plate | | |
| 10 | RM13418132 | 2 | | | | | | | Bolt | | |
| 11 | RM95922894 | 2 | | | | | | | Hexagon nut | | |

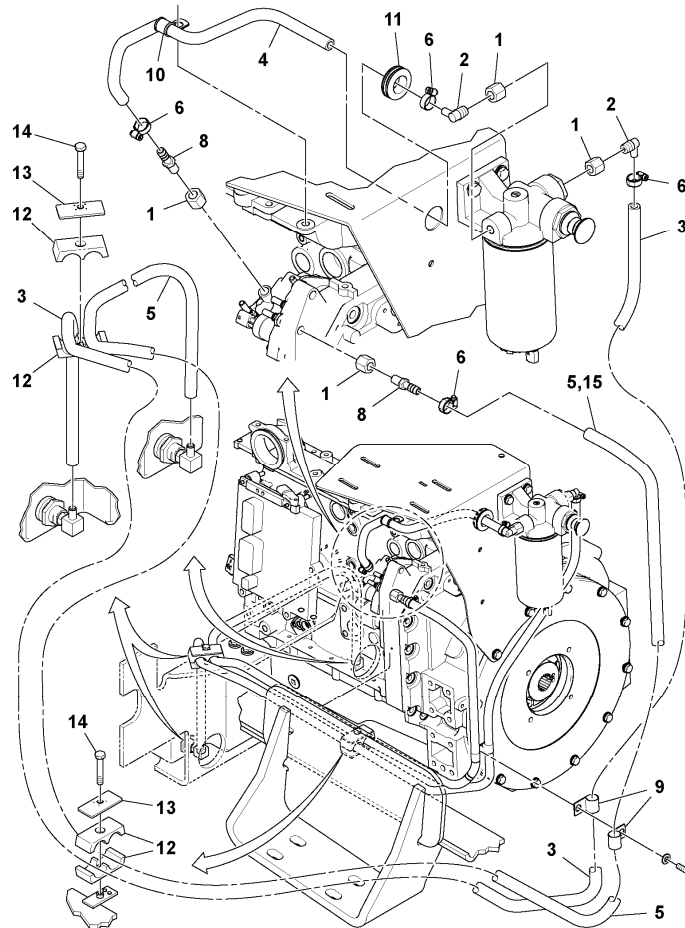
| | | | |
|---------------------------|---------------------------------|----------------------------------|--|
| Date: 2014/1/15 | Image id: 1037296 | Catalogue: 20178 | Model: SD105F |
| Brand: Volvo | Serial: 197642-999999 | Group/Section: 234/150 | Title: Fuel Tank Assembly 43845858 |



| Q1-Q5 | Option | Option description | |
|---------------------|--------|--------------------|--|
| Q1 43845858_0101 | | | |

| Pos | Part | Q1 | Q2 | Q3 | Q4 | Q5 | PS | Kit | Description | Option(s) | Remark |
|-----|------------|----|----|----|----|----|----|-----|-----------------|-----------|--------|
| 1 | RM43906296 | 1 | | | | | | | Fuel tank | | |
| 2 | RM43843622 | 1 | | | | | | | Fuel filler cap | | |
| 3 | RM13213582 | 1 | | | | | | | Fuel gauge | | |
| 4 | RM13213624 | 1 | | | | | | | Drain plug | | |
| 5 | RM13213632 | 1 | | | | | | | Return valve | | |
| 6 | RM13213681 | 1 | | | | | | | Fuel supply | | |
| 7 | RM95219713 | 1 | | | | | | | Adapter | | |
| 8 | RM13213699 | 1 | | | | | | | Tube | | |
| 9 | RM59266726 | 5 | | | | | | | Screw | | |

| | | | |
|---------------------------|---------------------------------|----------------------------------|--|
| Date: 2014/1/15 | Image id: 1059242 | Catalogue: 20178 | Model: SD105F |
| Brand: Volvo | Serial: 197642-999999 | Group/Section: 235/100 | Title: Fuel Line Installation 43851997 |



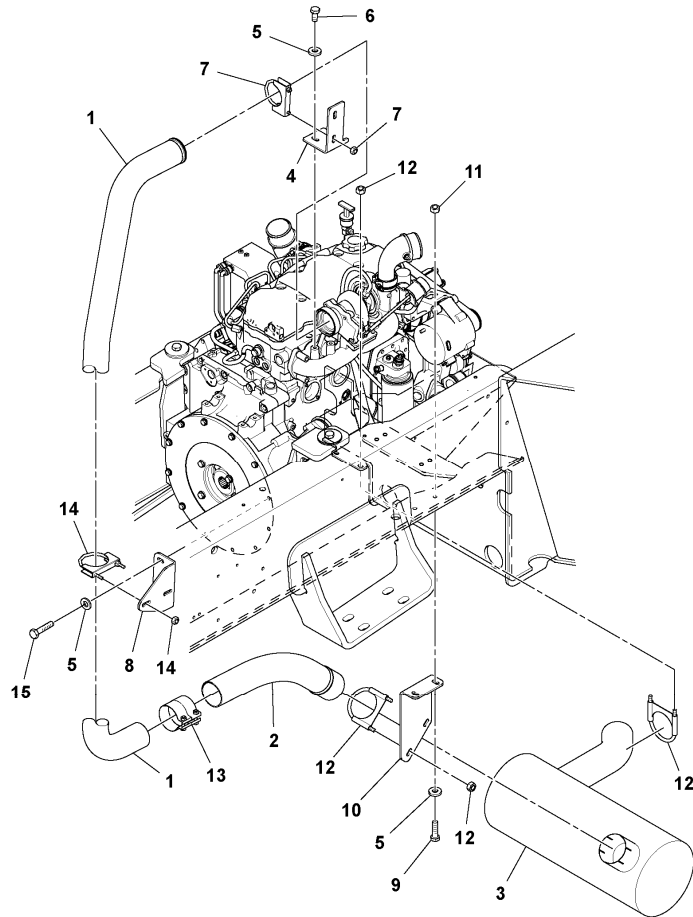
Volvo Construction
Equipment
1059242

| Q1-Q5 | Option | Option description | |
|---------------------|--------|--------------------|--|
| Q1 43851989_0B01 | | | |

| Pos | Part | Q1 | Q2 | Q3 | Q4 | Q5 | PS | Kit | Description | Option(s) | Remark |
|-----|------------|----|----|----|----|----|----|-----|---------------|-----------|--------|
| 1 | RM58943747 | 4 | | | | | | | Adapter | | |
| 2 | RM21956545 | 2 | | | | | | | Adapter | | |
| 3 | RM43830355 | 1 | | | | | | | Hose assembly | | |
| 4 | RM43888049 | 1 | | | | | | | Fuel hose | | |
| 5 | RM18006833 | 1 | | | | | | | Hose assembly | | |
| 6 | RM50274299 | 4 | | | | | | | Hose clamp | | |
| 8 | RM59331934 | 2 | | | | | | | Adapter | | |
| 9 | RM59117333 | 2 | | | | | | | Clamp | | |
| 10 | RM59151001 | 1 | | | | | | | Clamp | | |
| 11 | RM58947987 | 1 | | | | | | | Grommet | | |
| 12 | RM59891002 | 4 | | | | | | | Clamp | | |

| | | | | | | | | | | | |
|----|------------|---|--|--|--|--|--|--|---------------|--|--------------|
| 13 | RM59583500 | 2 | | | | | | | Plate | | |
| 14 | RM96705553 | 2 | | | | | | | Hexagon screw | | |
| 15 | RM59934166 | 2 | | | | | | | Guard | | S/N 225166 - |

| | | | |
|---------------------------|---------------------------------|----------------------------------|---|
| Date: 2014/1/15 | Image id: 1062334 | Catalogue: 20178 | Model: SD105F |
| Brand: Volvo | Serial: 197642-999999 | Group/Section: 252/100 | Title: Low Exit Exhaust Installation 13887476, 12760818 |



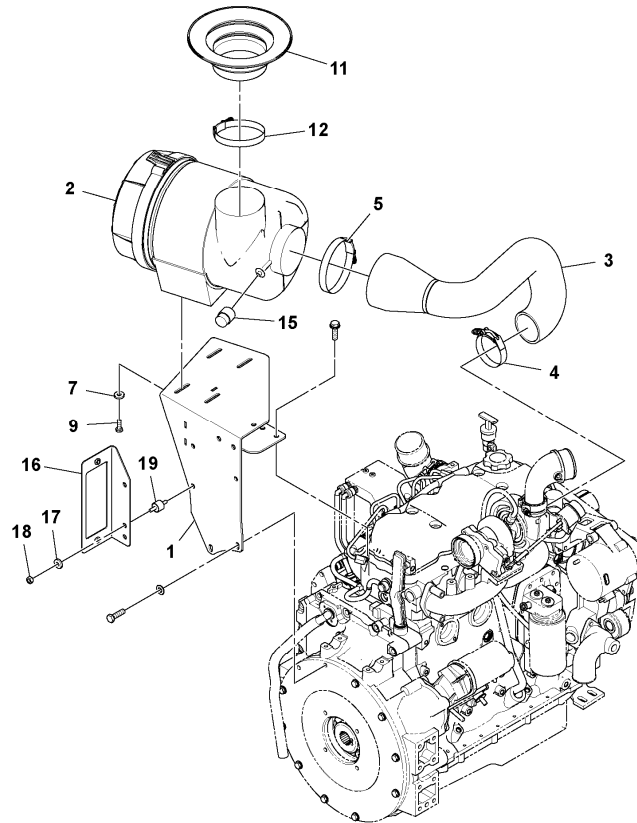
Volvo Construction
Equipment
1062334

| Q1-Q5 | Option | Option description | |
|-----------------------------|--------|--------------------|--|
| Q1 13887476 S/ N - 60070 | | | |
| Q2 12760818 S/ N 60071 - | | | |

| Pos | Part | Q1 | Q2 | Q3 | Q4 | Q5 | PS | Kit | Description | Option(s) | Remark |
|-----|-------------|----|----|----|----|----|----|-----|---------------|-----------|--------|
| 1 | RM13887583 | 1 | | | | | | | Exhaust pipe | | |
| 1 | VOE12760406 | | 1 | | | | | | Exhaust pipe | | |
| 2 | RM13887658 | 1 | | | | | | | Exhaust pipe | | |
| 2 | VOE12760405 | | 1 | | | | | | Exhaust pipe | | |
| 3 | RM43936046 | 1 | 1 | | | | | | Silencer | | |
| 4 | RM13887575 | 1 | 1 | | | | | | Bracket | | |
| 5 | RM96711833 | 4 | 6 | | | | | | Washer | | |
| 6 | RM96702279 | 2 | 2 | | | | | | Hexagon screw | | |
| 7 | RM59495028 | 1 | | | | | | | Clamp | | |

| | | | | | | | | | | | |
|----|-------------|---|---|--|--|--|--|--|---------------|--|--|
| 7 | RM59179234 | | 1 | | | | | | Clamp | | |
| 8 | RM13239900 | 1 | | | | | | | Bracket | | |
| 8 | VOE12762865 | | 1 | | | | | | Bracket | | |
| 9 | RM96704309 | 4 | 2 | | | | | | Hexagon screw | | |
| 10 | RM13169362 | 1 | 1 | | | | | | Bracket | | |
| 11 | VOE971071 | 2 | 2 | | | | | | Hexagon nut | | |
| 12 | RM59534313 | 2 | | | | | | | Clamp | | |
| 13 | RM13093075 | 1 | | | | | | | Clamp | | |
| 13 | RM45795531 | | 1 | | | | | | Clamp | | |
| 14 | RM59179218 | 1 | 1 | | | | | | Clamp | | |
| 15 | RM96701917 | | 2 | | | | | | Hexagon screw | | |

| | | | |
|---------------------------|---------------------------------|----------------------------------|--|
| Date: 2014/1/15 | Image id: 1051285 | Catalogue: 20178 | Model: SD105F |
| Brand: Volvo | Serial: 197642-999999 | Group/Section: 256/100 | Title: Air cleaner installation 43810142 |

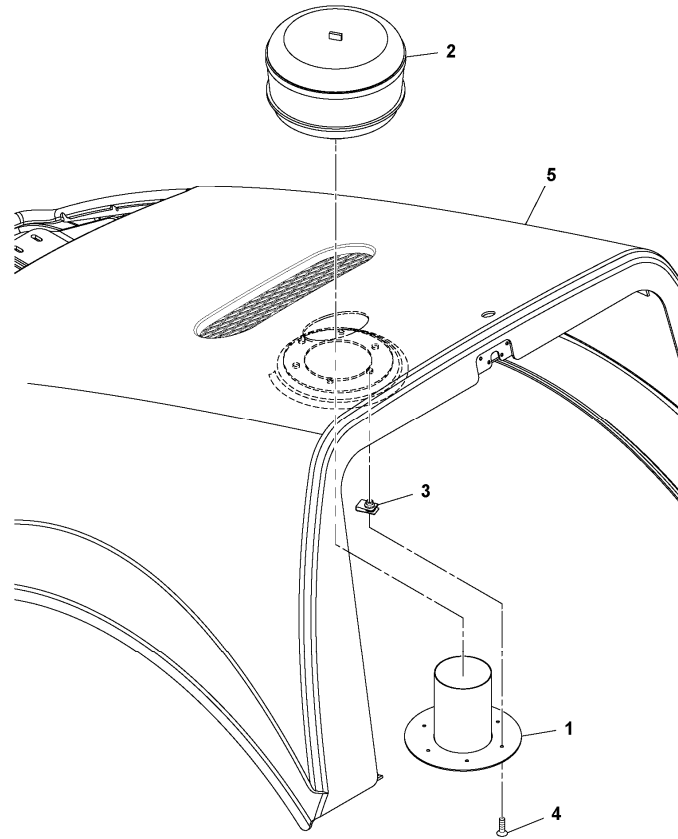


| Q1-Q5 | Option | Option description | |
|---------------------|--------|--------------------|--|
| Q1 43810183_0B01 | | | |

| Pos | Part | Q1 | Q2 | Q3 | Q4 | Q5 | PS | Kit | Description | Option(s) | Remark |
|-----|------------|----|----|----|----|----|----|-----|--------------------|-----------|--------|
| 1 | RM43851112 | 1 | | | | | | | Bracket | | |
| 2 | RM43902444 | 1 | | | | | | | Air cleaner | | |
| | RM43904168 | 1 | | | | | | | •Air filter insert | | |
| | RM43904176 | 1 | | | | | | | •Safety filter | | |
| 3 | RM43851310 | 1 | | | | | | | Air hose | | |
| 4 | RM54680103 | 1 | | | | | | | Clamp | | |
| 5 | RM19288604 | 1 | | | | | | | Clamp | | |
| 7 | RM96712674 | 4 | | | | | | | Washer | | |
| 9 | RM96702659 | 4 | | | | | | | Hexagon screw | | |
| 11 | RM13880216 | 1 | | | | | | | Bellow | | |
| 12 | RM20936001 | 1 | | | | | | | Clamp | | |

| | | | | | | | | | | |
|----|------------|---|--|--|--|--|--|-----------|--|--|
| 15 | RM58905803 | 1 | | | | | | Contact | | |
| 16 | RM43881978 | 1 | | | | | | Bracket | | |
| 17 | RM96713979 | 2 | | | | | | Washer | | |
| 18 | RM96701370 | 2 | | | | | | Nut | | |
| 19 | RM13885991 | 2 | | | | | | Insulator | | |

| | | | |
|---------------------------|---------------------------------|----------------------------------|--|
| Date: 2014/1/15 | Image id: 1037307 | Catalogue: 20178 | Model: SD105F |
| Brand: Volvo | Serial: 197642-999999 | Group/Section: 256/125 | Title: Air Pre-cleaner Installation S/N 198890- 43853324 |

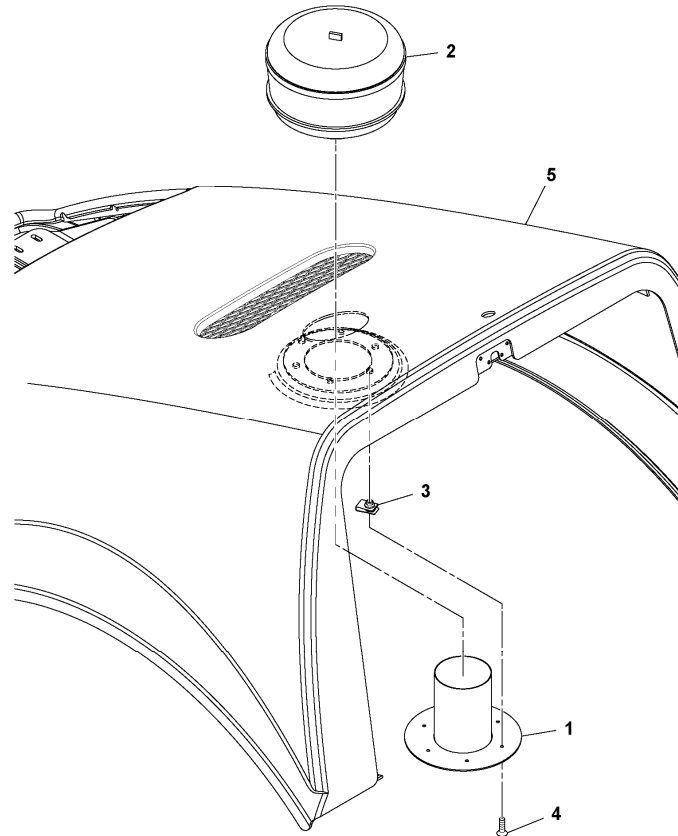


| Q1-Q5 | Option | Option description | |
|---------------------|--------|--------------------|--|
| Q1 43853324_0001 | | | |

| Pos | Part | Q1 | Q2 | Q3 | Q4 | Q5 | PS | Kit | Description | Option(s) | Remark |
|-----|------------|----|----|----|----|----|----|-----|----------------|-----------|--------------------|
| 1 | RM13273339 | 1 | | | | | | | Mounting plate | | |
| 2 | RM59081323 | 1 | | | | | | | Pre-cleaner | | |
| | RM59103259 | 1 | | | | | SS | | •Cover | | |
| | RM58938275 | 1 | | | | | SS | | •Bowl | | |
| | RM59103267 | 1 | | | | | SS | | •Sleeve | | |
| | RM59103275 | 1 | | | | | SS | | •Clamp | | |
| 3 | RM13186598 | 6 | | | | | | | Nut | | |
| 4 | RM96728506 | 6 | | | | | | | Screw | | |
| 5 | RM43923127 | 1 | | | | | | | Bonnet | | |
| 6 | RM59087452 | 1 | | | | | | | Decal | | See footnote 2624) |

2624) Not Shown

| | | | |
|---------------------------|---------------------------------|----------------------------------|---|
| Date: 2014/1/15 | Image id: 1037307 | Catalogue: 20178 | Model: SD105F |
| Brand: Volvo | Serial: 197642-999999 | Group/Section: 256/150 | Title: Air Pre-cleaner Installation S/N -198890, 13883285 |

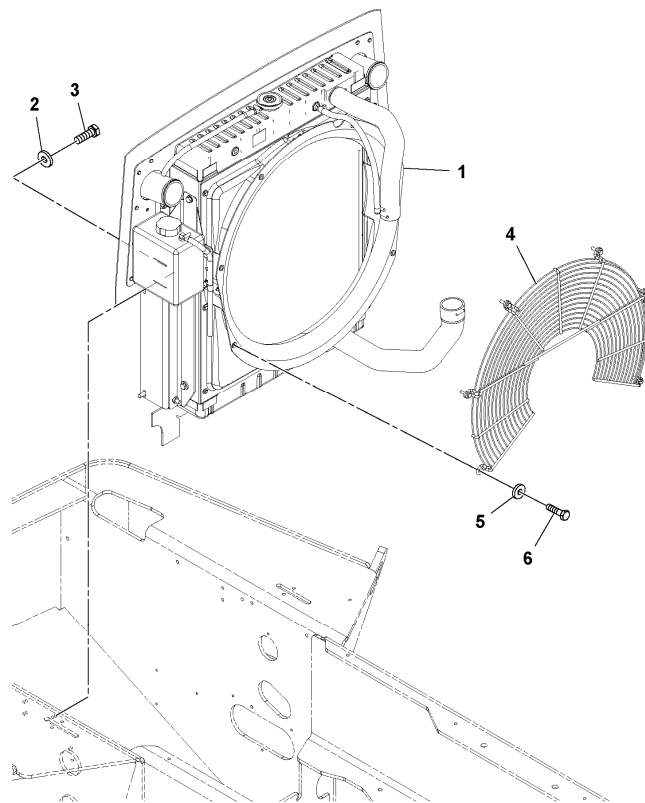


Section footnote 2586) Optional

| Q1-Q5 | Option | Option description | |
|---------------------|--------|--------------------|--|
| Q1 13208848_0301 | | | |

| Pos | Part | Q1 | Q2 | Q3 | Q4 | Q5 | PS | Kit | Description | Option(s) | Remark |
|-----|------------|----|----|----|----|----|----|-----|----------------|-----------|--------|
| 1 | RM13273339 | 1 | | | | | | | Mounting plate | | |
| 2 | RM59081323 | 1 | | | | | | | Pre-cleaner | | |
| | RM59103259 | 1 | | | | | SS | | •Cover | | |
| | RM58938275 | 1 | | | | | SS | | •Bowl | | |
| | RM59103267 | 1 | | | | | SS | | •Sleeve | | |
| | RM59103275 | 1 | | | | | SS | | •Clamp | | |
| 3 | RM13186598 | 6 | | | | | | | Nut | | |
| 4 | RM96728506 | 6 | | | | | | | Screw | | |
| 5 | RM43931724 | 1 | | | | | | | Bonnet | | |

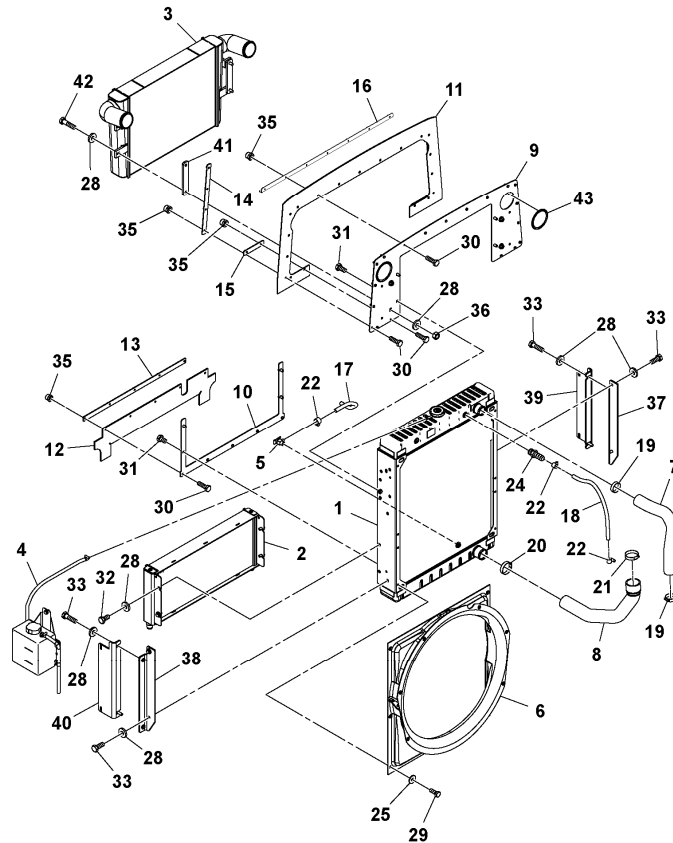
| | | | |
|---------------------------|---------------------------------|----------------------------------|--|
| Date: 2014/1/15 | Image id: 1037331 | Catalogue: 20178 | Model: SD105F |
| Brand: Volvo | Serial: 197642-999999 | Group/Section: 261/100 | Title: Radiator/Oil Cooler Installation 43810191 |



| Q1-Q5 | Option | Option description | |
|---------------------|--------|--------------------|--|
| Q1 13299763_0A01 | | | |

| Pos | Part | Q1 | Q2 | Q3 | Q4 | Q5 | PS | Kit | Description | Option(s) | Remark |
|-----|------------|----|----|----|----|----|----|-----|---------------------|-----------|-----------------|
| 1 | | 1 | | | | | | | Radiator/oil Cooler | | See ref 261/150 |
| 2 | RM96711833 | 4 | | | | | | | Washer | | |
| 3 | RM96701917 | 4 | | | | | | | Hexagon screw | | |
| 4 | RM43856319 | 1 | | | | | | | Fan guard | | |
| 5 | RM96712674 | 6 | | | | | | | Washer | | |
| 6 | RM96705587 | 6 | | | | | | | Hexagon screw | | |

| | | | |
|---------------------------|---------------------------------|----------------------------------|--|
| Date: 2014/1/15 | Image id: 1051258 | Catalogue: 20178 | Model: SD105F |
| Brand: Volvo | Serial: 197642-999999 | Group/Section: 261/150 | Title: Radiator/Oil Cooler Assembly 13887278 |

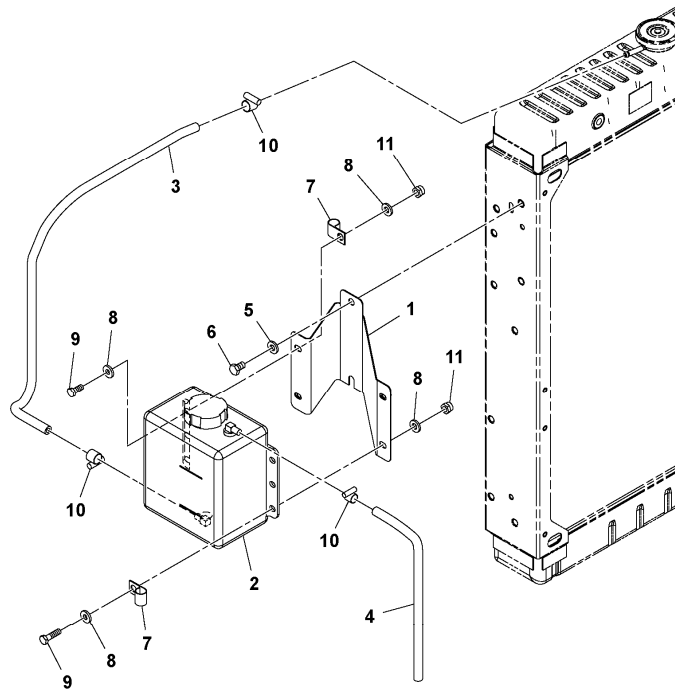


| Q1-Q5 | Option | Option description | |
|---------------------|--------|--------------------|--|
| Q1 13299177_0E01 | | | |

| Pos | Part | Q1 | Q2 | Q3 | Q4 | Q5 | PS | Kit | Description | Option(s) | Remark |
|-----|------------|----|----|----|----|----|----|-----|-------------------------|-----------|-----------------|
| 1 | RM43840180 | 1 | | | | | | | Radiator | | |
| | RM19293943 | 1 | | | | | | | •Radiator cap | | |
| 2 | RM43840198 | 1 | | | | | | | Oil cooler | | |
| 3 | RM43840206 | 1 | | | | | | | Charge air cooler | | |
| 4 | | 1 | | | | | | | Coolant Recovery Bottle | | See ref 261/200 |
| 5 | RM58848920 | 1 | | | | | | | Drain | | |
| 6 | RM13272547 | 1 | | | | | | | Fan shroud | | |
| 7 | RM13417894 | 1 | | | | | | | Radiator hose | | |
| 8 | RM13279666 | 1 | | | | | | | Radiator hose | | |
| 9 | RM13279278 | 1 | | | | | | | Baffle | | |

| | | | | | | | | | | | |
|----|------------|----|--|--|--|--|----|--|---------------|--|--------------|
| 10 | RM13887286 | 1 | | | | | | | Baffle plate | | |
| 11 | RM13292545 | 1 | | | | | | | Baffle | | |
| 12 | RM13321047 | 1 | | | | | | | Baffle | | |
| 13 | RM13216577 | 1 | | | | | | | Backing plate | | |
| 14 | RM13209341 | 2 | | | | | | | Backing plate | | |
| 15 | RM13209424 | 2 | | | | | | | Backing plate | | |
| 16 | RM43939529 | 1 | | | | | | | Backing plate | | |
| 17 | RM59321687 | 1 | | | | | | | Hose assembly | | |
| 18 | RM59873935 | 1 | | | | | SS | | Hose assembly | | |
| 19 | RM95220893 | 2 | | | | | | | Hose clamp | | |
| 20 | RM95278008 | 1 | | | | | | | Hose clamp | | |
| 21 | RM95286266 | 1 | | | | | | | Hose clamp | | |
| 22 | RM50274299 | 3 | | | | | | | Hose clamp | | |
| 24 | RM59331934 | 1 | | | | | | | Adapter | | |
| 25 | RM96704663 | 6 | | | | | | | Washer | | |
| 28 | RM96711833 | 20 | | | | | | | Washer | | |
| 29 | RM96701958 | 6 | | | | | | | Hexagon screw | | |
| 30 | RM96704564 | 24 | | | | | | | Hexagon screw | | |
| 31 | RM96701479 | 8 | | | | | | | Hexagon screw | | |
| 32 | RM96702279 | 4 | | | | | | | Hexagon screw | | |
| 33 | RM96702287 | 8 | | | | | | | Hexagon screw | | |
| 35 | RM96704598 | 24 | | | | | | | Lock nut | | |
| 36 | VOE971071 | 4 | | | | | | | Hexagon nut | | |
| 37 | RM13237268 | 1 | | | | | | | Bracket | | |
| 38 | RM13237276 | 1 | | | | | | | Bracket | | |
| 39 | RM13320833 | 1 | | | | | | | Bracket | | |
| 40 | RM13320429 | 1 | | | | | | | Bracket | | |
| 41 | RM13297866 | 2 | | | | | | | Spacer member | | |
| 42 | RM96704309 | 4 | | | | | | | Hexagon screw | | |
| 43 | RM59151613 | 2 | | | | | | | Trim ring | | (RM43919638) |

| | | | |
|---------------------------|---------------------------------|----------------------------------|---|
| Date: 2014/1/15 | Image id: 1037330 | Catalogue: 20178 | Model: SD105F |
| Brand: Volvo | Serial: 197642-999999 | Group/Section: 261/200 | Title: Expansion tank installatiog 13292479 |



| Q1-Q5 | Option | Option description | |
|---------------------|--------|--------------------|--|
| Q1 13299698_0001 | | | |

| Pos | Part | Q1 | Q2 | Q3 | Q4 | Q5 | PS | Kit | Description | Option(s) | Remark |
|-----|------------|----|----|----|----|----|----|-----|----------------|-----------|--------|
| 1 | RM43897420 | 1 | | | | | | | Bracket | | |
| 2 | RM58802851 | 1 | | | | | | | Plastic bottle | | |
| | RM59154807 | 1 | | | | | | | •Cap | | |
| 3 | RM13216734 | 1 | | | | | | | Hose assembly | | |
| 4 | RM59242263 | 1 | | | | | | | Hose assembly | | |
| 5 | RM96741046 | 2 | | | | | | | Plain washer | | |
| 6 | RM96702279 | 2 | | | | | | | Hexagon screw | | |
| 7 | RM59103598 | 2 | | | | | | | Clamp | | |
| 8 | RM96741038 | 8 | | | | | | | Washer | | |
| 9 | RM96702659 | 4 | | | | | | | Hexagon screw | | |
| 10 | RM50274299 | 3 | | | | | | | Hose clamp | | |



Suggest:

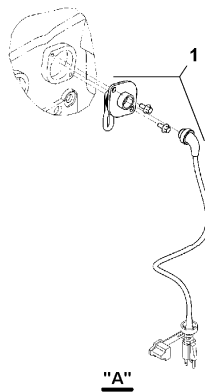
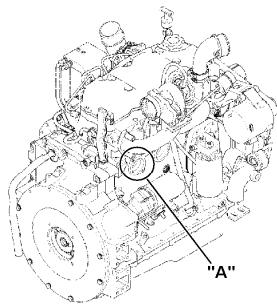
For more complete manuals. Please go to the home page.

<https://www.ebooklibonline.com>

If the above button click is invalid. Please download this document first, and then click the above link to download the complete manual.

Thank you so much for reading

| | | | |
|---------------------------|---------------------------------|----------------------------------|---|
| Date: 2014/1/15 | Image id: 1051532 | Catalogue: 20178 | Model: SD105F |
| Brand: Volvo | Serial: 197642-999999 | Group/Section: 269/100 | Title: Block Heater Installation 43829332 |



| Section option | Kit | Option description |
|----------------|-----|--------------------|
| RM43829332 | | Block Heater |

Section footnote 2586) Optional

| Q1-Q5 | Option | Option description |
|---------------------|--------|--------------------|
| Q1 43829332_0001 | | |

| Pos | Part | Q1 | Q2 | Q3 | Q4 | Q5 | PS | Kit | Description | Option(s) | Remark |
|-----|------------|----|----|----|----|----|----|-----|-------------------|-----------|--------|
| 1 | RM43829357 | 1 | | | | | | | Engine heater kit | | |
| | RM43829365 | 1 | | | | | | | •Heater | | |
| | RM43829399 | 2 | | | | | | | •Hexagon screw | | |
| | RM43829373 | 1 | | | | | | | •Cable | | |

<https://www.ebooklibonline.com>

Hello dear friend!

Thank you very much for reading.

Enter the link into your browser.

The full manual is available for immediate download.

<https://www.ebooklibonline.com>