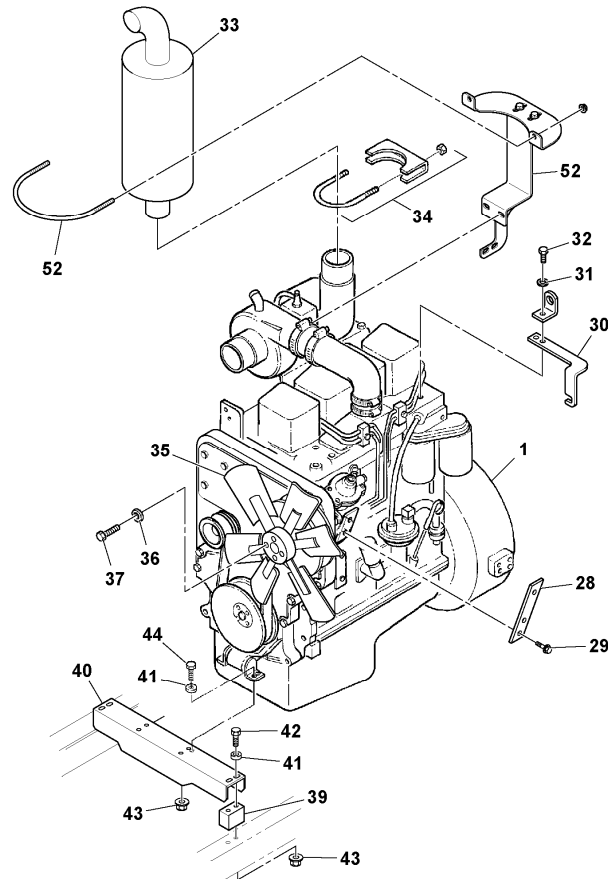


Date: 2014/1/14	Image id: 1052641	Catalogue: 20177	Model: SD100C
Brand: Volvo	Serial: 198060-	Group/Section: 210/50	Title: Engine Installation SD-100 S/N 172493- , 13289665



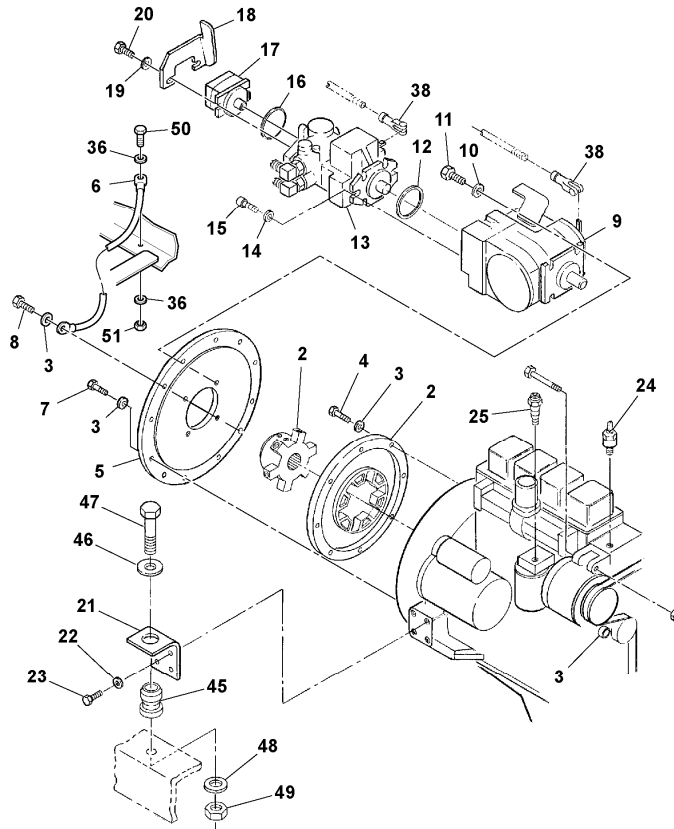
Q1-Q5	Option	Option description	
Q1 13289665_0D01			

Pos	Part	Q1	Q2	Q3	Q4	Q5	PS	Kit	Description	Option(s)	Remark
1	RM43923291	1					OP		Engine		S/N 173786-
	RM43922913	1							•Oil filter		FILTER ELEMENT
	RM43924422	1							•Fuel filter		PRIMARY
	RM59728196	1							•Fuel filter insert		See footnote 2571)
	RM43911668	1							•Fuel filter		INLINE
	RM13852256	1							•Alternator		
	RM43830728	1							•Starter motor		
	RM43830736	1					SS		••Starter motor		
	RM13290093	1					OP		Engine		S/N - 173785, 4BT 3.9
	RM59728170	1							•Oil filter		FILTER ELEMENT
	RM35374677	1							•Fuel filter		PRIMARY

	RM59728196	1							•Fuel filter insert		See footnote 2571)
	RM58827932	1							•Fuel filter		PRE-FUEL FILTER
	RM59106435	1					SS		•Alternator		65A
	RM59816520	1							•Starter motor		
	RM58875196	1							••Solenoid		
28	RM13163712	1							Lever segment		
29	RM96704531	2							Lock screw		
30	RM13222880	1							Bracket		
31	RM96738596	2							Washer		
32	RM96702444	2							Hexagon screw		
33	RM13241658	1							Silencer		S/N - 225543
33	VOE12761041	1							Silencer		S/N 225544 -
34	RM50266972	1							Clamp		
35	RM59819292	1							Fan		
	RM59309104	1							•Fan belt		
36	RM96741038	6							Washer		
37	RM96715131	4							Hexagon screw		
39	RM59176917	2							Spacer		
40	RM59176925	1							Bracket		
41	RM96711833	8							Washer		
42	RM96704739	4							Hexagon screw		
43	RM96704846	8							Lock nut		
44	RM96704358	4							Hexagon screw		
52		1							Muffler Bracket		See ref 252/100

2571) Water Separator/Fuel Filter

Date: 2014/1/14	Image id: 1052642	Catalogue: 20177	Model: SD100C
Brand: Volvo	Serial: 198060-	Group/Section: 210/100	Title: Engine Installation SD-100 S/N 172493- , 13289665



Q1-Q5	Option	Option description	
Q1 13289665_0D02			

Pos	Part	Q1	Q2	Q3	Q4	Q5	PS	Kit	Description	Option(s)	Remark
2	RM59286344	1							Drive sleeve		
3	RM96741046	21							Plain washer		
4	RM95919254	8							Hexagon screw		
5	RM58966086	1							Plate		
6	RM59104406	1							Ground cable		
7	RM96704309	8							Hexagon screw		
8	RM96704309	4							Hexagon screw		
9		1							Propulsion Pump		See ref 442/100
10	RM96738596	4							Washer		
11	RM96702329	4							Hexagon screw		
12	RM95988804	1							O-ring		

<https://www.ebooklibonline.com>

Hello dear friend!

Thank you very much for reading.

Enter the link into your browser.

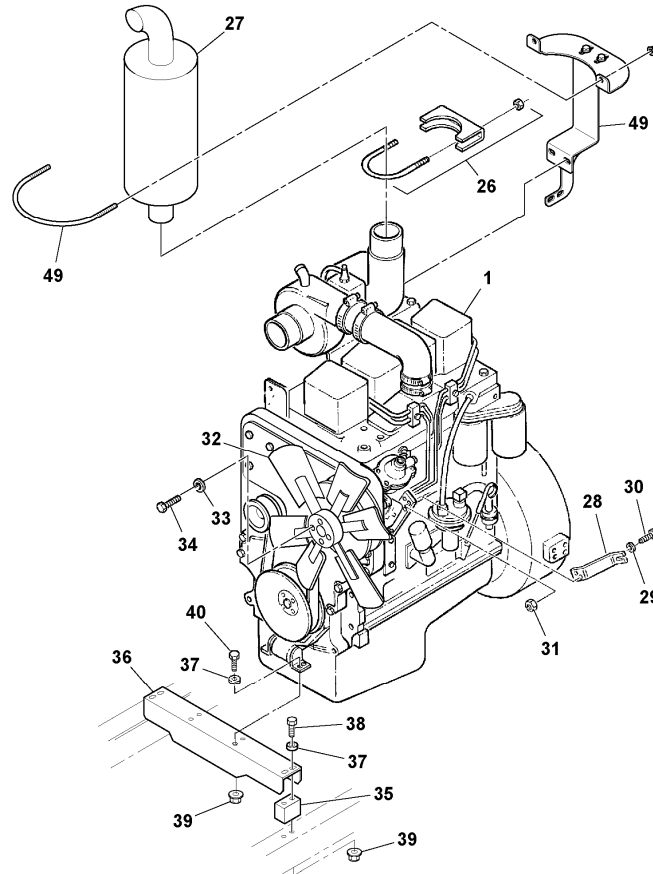
The full manual is available for immediate download.

<https://www.ebooklibonline.com>

13		1						Vibration Pump Assembly		See ref 913/100
14	RM59539569	2					SS	Washer		
15	RM95309829	2						Screw		
16	RM95988796	1						O-ring		
17		1						Steering Pump Assembly		See ref 913/200
18	RM59232579	1					OP	Bracket		
19	RM59731380	2						Washer		
20	RM95055265	2						Hex. socket screw		
21	RM59103838	2						Engine anchorage		
22	RM96738596	8						Washer		
23	RM96702667	8						Hexagon screw		
24	RM59636738	1						Sensor		WATER TEMPERATURE
		1						Water Temp Gauge		WATER TEMPERATURE See ref 386/100
25	RM59971457	1						Contact		See footnote 2737)
36	RM96741038	6						Washer		
38		1						Pump control		See ref 912/600
45	RM59127720	2						Mounting plate		
46	RM58879768	2						Washer		
47	RM96704952	2						Hexagon screw		
48	RM96738612	2						Plain washer		
49	RM96704630	2						Nut		
50	RM96705587	1						Hexagon screw		
51	RM96701370	1						Nut		

2737) Oil pressure

Date: 2014/1/14	Image id: 1052639	Catalogue: 20177	Model: SD100C
Brand: Volvo	Serial: 198060-	Group/Section: 210/150	Title: Engine Installation SD-100D/100F S/N 172493- , 13289657



Section option	Kit	Option description
RM13289657		Standard Engine

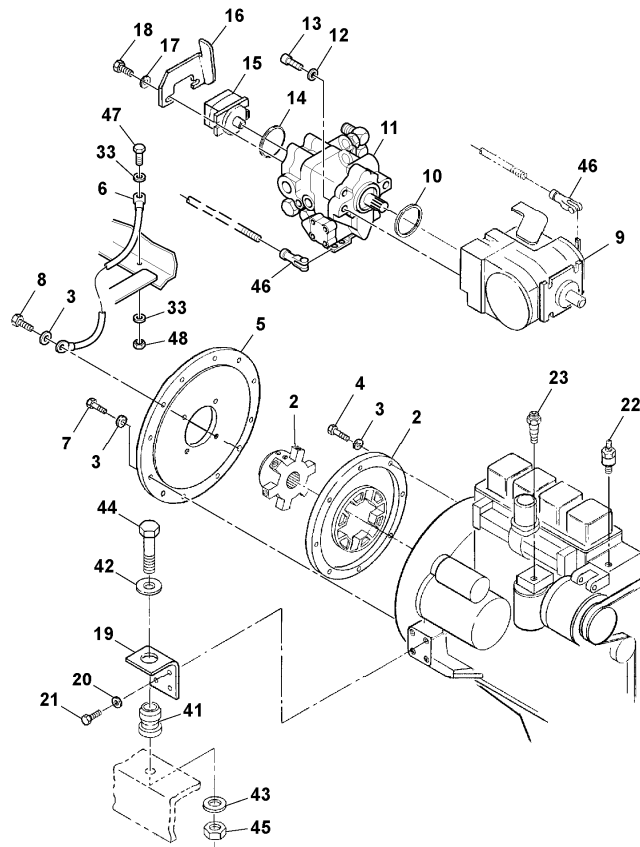
Q1-Q5	Option	Option description
Q1 13289657_OD01		

Pos	Part	Q1	Q2	Q3	Q4	Q5	PS	Kit	Description	Option(s)	Remark
1	RM43923283	1					OP		Engine		S/N 173786-
	RM43922913	1							•Oil filter		FILTER ELEMENT
	RM43924422	1							•Fuel filter		PRIMARY
	RM59728196	1							•Fuel filter insert		See footnote 2571)
	RM43911668	1							•Fuel filter		INLINE
	RM13852256	1							•Alternator		
	RM13360516	1							•Starter motor		

	RM13293675	1					OP		Engine		S/N - 173785, 4BTA 3.9
	RM59728170	1							•Oil filter		FILTER ELEMENT
	RM35374677	1							•Fuel filter		PRIMARY
	RM59728196	1							•Fuel filter insert		See footnote 2571)
	RM58827932	1							•Fuel filter		PRE-FUEL FILTER
	RM59106435	1					SS		•Alternator		65A
	RM59816520	1							•Starter motor		
	RM58875196	1							••Solenoid		
	RM58887506	1							•Belt		
26	RM50266972	1							Clamp		
27	RM13241658	1							Silencer		S/N - 225543
27	VOE12761041	1							Silencer		S/N 225544 -
28	RM13222864	1							Bracket		
29	RM96741053	2							Washer		S/N - 225734
29	RM96741053	4							Washer		S/N 225735 -
30	RM96704564	2							Hexagon screw		
31	RM96704234	2							Nut		
32	RM59819292	1							Fan		
	RM59309104	1							•Fan belt		
33	RM96741038	6							Washer		
34	RM96715131	4							Hexagon screw		
35	RM59176917	2							Spacer		
36	RM59176925	1							Bracket		
37	RM96711833	8							Washer		
38	RM96704739	4							Hexagon screw		
39	RM96704846	8							Lock nut		
40	RM96704556	4							Hexagon screw		
49		1							Muffler Bracket		See ref 252/100

2571) Water Separator/Fuel Filter

Date: 2014/1/14	Image id: 1052640	Catalogue: 20177	Model: SD100C
Brand: Volvo	Serial: 198060-	Group/Section: 210/200	Title: Engine Installation SD-100D/100F S/N 172493- , 13289657



Section option	Kit	Option description
RM13289657		Standard Engine

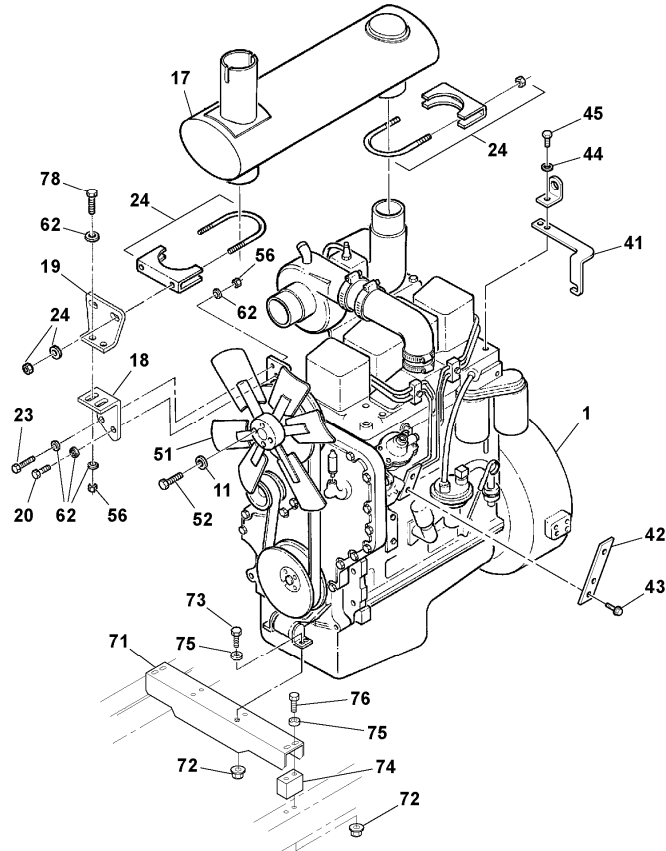
Q1-Q5	Option	Option description
Q1 13289657_0D02		

Pos	Part	Q1	Q2	Q3	Q4	Q5	PS	Kit	Description	Option(s)	Remark
2	RM59286336	1							Flywheel		
3	RM96741046	20							Plain washer		
4	RM95919254	8							Hexagon screw		
5	RM58966086	1							Plate		
6	RM59104406	1							Ground cable		
7	RM96704309	8							Hexagon screw		
8	RM96704309	4							Hexagon screw		

9		1							Propulsion Pump		See ref 442/200
10	RM95097879	1							O-ring		
11		1							Vibration Pump		See ref 913/100
12	RM59539569	2					SS		Washer		
13	RM95309829	2							Screw		
14	RM95988796	1							O-ring		
15		1							Steering Pump		See ref 913/200
16	RM59232579	1					OP		Bracket		
17	RM59731380	2							Washer		
18	RM95055265	2							Hex. socket screw		
19	RM59103838	2							Engine anchorage		
20	RM96738596	8							Washer		
21	RM96702667	8							Hexagon screw		
22	RM59164251	1							Switch		WATER TEMPERATURE
23	RM59971457	1							Contact		See footnote 2737)
33	RM96741038	6							Washer		
41	RM59097162	2							Rubber damper		
42	RM58879768	2							Washer		
43	RM96738612	2							Plain washer		
44	RM96704952	2							Hexagon screw		
45	RM96704630	2							Nut		
46		1							Pump control		See ref 912/600
47	RM96705587	1							Hexagon screw		
48	RM96701370	1							Nut		

2737) Oil pressure

Date: 2014/1/14	Image id: 1037276	Catalogue: 20177	Model: SD100C
Brand: Volvo	Serial: 198060-	Group/Section: 210/250	Title: Engine Installation SD-100 S/N - 172492, 13222872



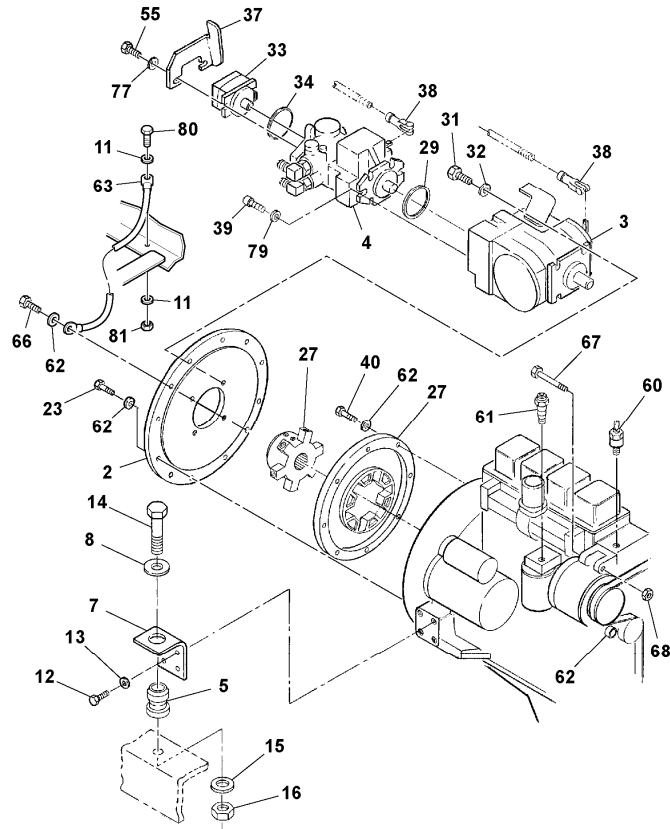
Q1-Q5	Option	Option description	
Q1 59288571_0301			

Pos	Part	Q1	Q2	Q3	Q4	Q5	PS	Kit	Description	Option(s)	Remark
1	RM54672829	1					OP		Engine		4BT3.9-C95 ELITE
	RM59728170	1							•Oil filter		FILTER ELEMENT
	RM35374677	1							•Fuel filter		PRIMARY
	RM59728196	1							•Fuel filter insert		See footnote 2571)
	RM58827932	1							•Fuel filter		PRE-FUEL FILTER
	RM59309104								•Fan belt		
	RM59106435	1					SS		•Alternator		65A
	RM59816520	1							•Starter motor		
	RM58875196	1							••Solenoid		
11	RM96741038	6							Washer		
17	RM59215780	1							Silencer		

18	RM58947334	1							Bracket		
19	RM58947342	1							Bracket		
20	RM96727011	1							Bolt		
23	RM96701917	9							Hexagon screw		
24	RM50266972	2							Clamp		
41	RM13222880	1							Bracket		
42	RM13163712	1							Lever segment		
43	RM96704531	2							Lock screw		
44	RM96738596	2							Washer		
45	RM96702444	2							Hexagon screw		
51	RM59819292	1							Fan		
52	RM96712583	4							Hexagon screw		
56	VOE971071	1							Hexagon nut		
62	RM96741046	24							Plain washer		
71	RM59176925	1							Bracket		
72	RM96704846	8							Lock nut		
73	RM96704358	4							Hexagon screw		
74	RM59176917	2							Spacer		
75	RM96711833	8							Washer		
76	RM96705314	4							Hexagon screw		
78	RM96701917	2							Hexagon screw		

2571) Water Separator/Fuel Filter

Date: 2014/1/14	Image id: 1037277	Catalogue: 20177	Model: SD100C
Brand: Volvo	Serial: 198060-	Group/Section: 210/300	Title: Engine Installation SD-100 S/N - 172492, 13222872



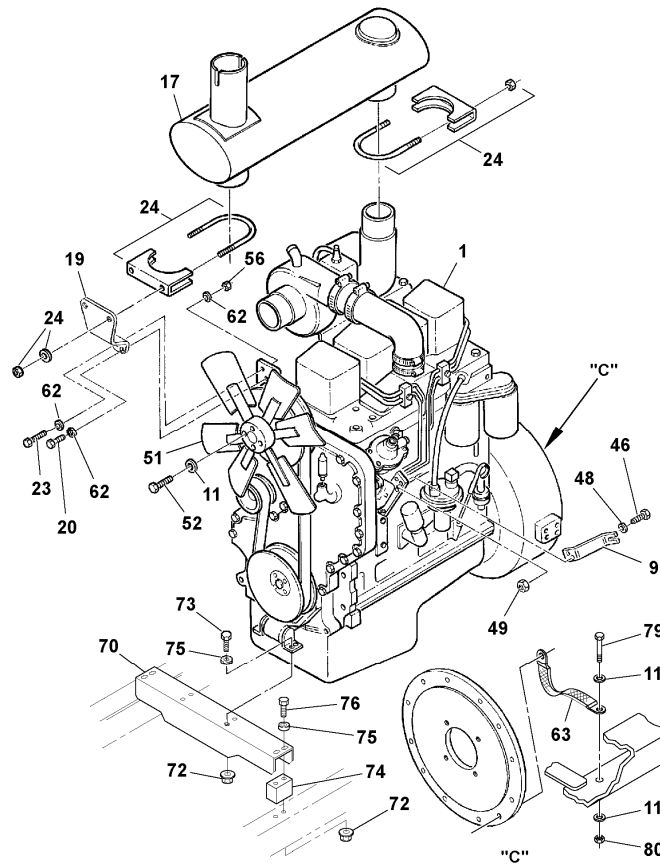
Q1-Q5	Option	Option description	
Q1 59288571_0302			

Pos	Part	Q1	Q2	Q3	Q4	Q5	PS	Kit	Description	Option(s)	Remark
2	RM58966086	1							Plate		
3		1							Propulsion Pump		See ref 442/300
4		1							Vibration Pump		See ref 913/100
5	RM59097162	2							Rubber damper		
7	RM59103838	2							Engine anchorage		
8	RM58879768	2							Washer		
11	RM96741038	6							Washer		
12	RM96702667	8							Hexagon screw		
13	RM96738596	8							Washer		
14	RM96704952	2							Hexagon screw		
15	RM96738612	2							Plain washer		

16	RM96704630	2							Nut		
23	RM96701917	9							Hexagon screw		
27	RM59286344	1							Drive sleeve		
29	RM95097879	1							O-ring		
31	RM96702329	4							Hexagon screw		
32	RM96738596	4							Washer		
33		1							Steering Pump		See ref 913/200
34	RM95988796	1							O-ring		
37	RM59232579	1					OP		Bracket		
38		1							Pump control		See ref 912/600
39	RM95309829	2							Screw		
40	RM95919254	8							Hexagon screw		
55	RM95055265	2							Hex. socket screw		
60	RM59164251	1							Switch		WATER TEMPERATURE
61	RM59971457	1							Contact		See footnote 2737)
62	RM96741046	24							Plain washer		
63	RM59104406	1							Ground cable		
66	RM96704309	4							Hexagon screw		
67	RM96715602	1							Hexagon screw		
68	RM96704846	1							Lock nut		
77	RM59731380	2							Washer		
79	RM59539569	2					SS		Washer		
80	RM96705587	1							Hexagon screw		
81	RM96701370	1							Nut		

2737) Oil pressure

Date: 2014/1/14	Image id: 1037270	Catalogue: 20177	Model: SD100C
Brand: Volvo	Serial: 198060-	Group/Section: 210/350	Title: Engine Installation SD-100D/100F S/N - 172492, 13222856, 13205927



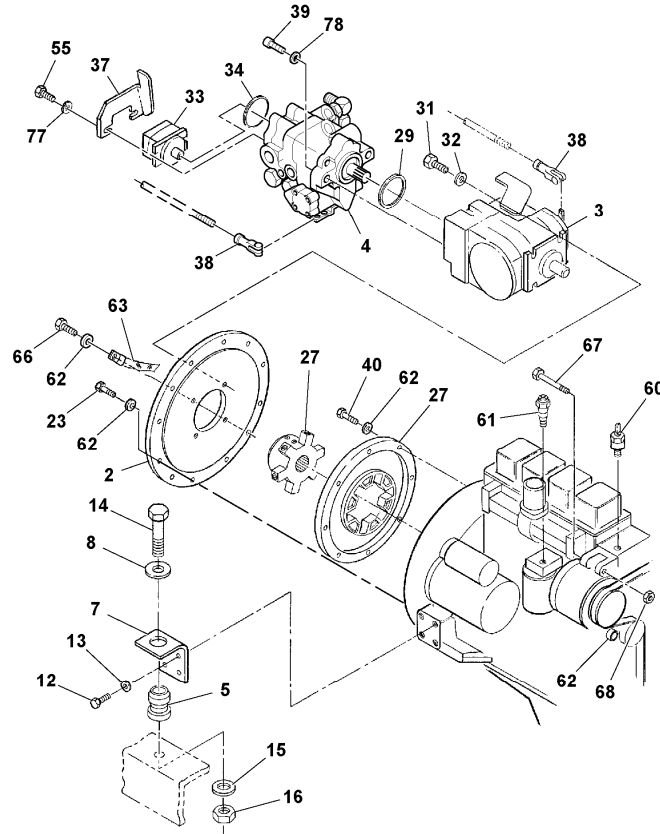
Q1-Q5	Option	Option description	
Q1 59279703_0301			

Pos	Part	Q1	Q2	Q3	Q4	Q5	PS	Kit	Description	Option(s)	Remark
1	RM13154679	1					OP		Engine		4BTA3.9C-125 ENCORE
	RM59728170	1							•Oil filter		FILTER ELEMENT
	RM35374677	1							•Fuel filter		PRIMARY
	RM59728196	1							•Fuel filter insert		See footnote 2571)
	RM58827932	1							•Fuel filter		PRE-FUEL FILTER
	RM59309104								•Fan belt		
	RM59106435	1					SS		•Alternator		65A
	RM59816520	1							•Starter motor		
	RM58875196	1							••Solenoid		
9	RM13222864	1							Bracket		S/N 169975-

	RM59856781	1							Bracket		S/N - 169974
11	RM96741038	6							Washer		
17	RM13205901	1							Silencer		
19	RM59108886	1							Support		
20	RM96702287	1							Hexagon screw		
23	RM96701917	9							Hexagon screw		
24	RM50266972	2							Clamp		
46	RM96704564	2							Hexagon screw		
48	RM96741053	2							Washer		
49	RM96704234	2							Nut		
51	RM59819292	1							Fan		
52	RM96712583	4							Hexagon screw		
56	VOE971071	1							Hexagon nut		
62	RM96741046	24							Plain washer		
63	RM59104406	1							Ground cable		
70	RM59176925	1							Bracket		
72	RM96704846	8							Lock nut		
73	RM96704358	4							Hexagon screw		
74	RM59176917	2							Spacer		
75	RM96711833	8							Washer		
76	RM96705314	4							Hexagon screw		
79	RM96705587	1							Hexagon screw		
80	RM96701370	1							Nut		

2571) Water Separator/Fuel Filter

Date: 2014/1/14	Image id: 1037271	Catalogue: 20177	Model: SD100C
Brand: Volvo	Serial: 198060-	Group/Section: 210/400	Title: Engine Installation SD-100D/100F S/N - 172492, 13222856, 13205927



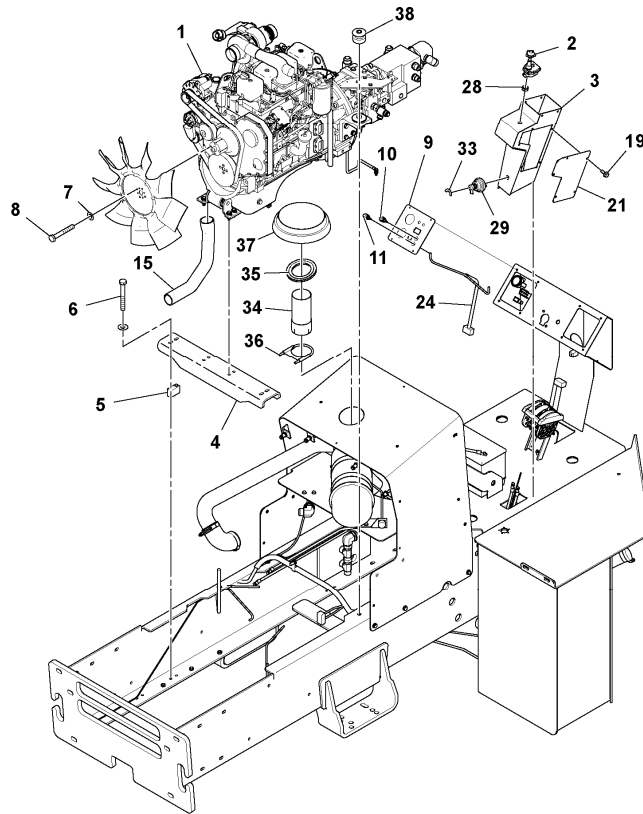
Q1-Q5	Option	Option description	
Q1 59279703_0302			

Pos	Part	Q1	Q2	Q3	Q4	Q5	PS	Kit	Description	Option(s)	Remark
2	RM58966086	1							Plate		
3		1							Propulsion Pump		See ref 442/300
4		1							Vibration Pump		See ref 913/100
5	RM59097162	2							Rubber damper		
7	RM59103838	2							Engine anchorage		
8	RM58879768	2							Washer		
12	RM96702667	8							Hexagon screw		
13	RM96738596	8							Washer		
14	RM96704952	2							Hexagon screw		
15	RM96738612	2							Plain washer		

16	RM96704630	2							Nut		
23	RM96701917	9							Hexagon screw		
27	RM59286336	1							Flywheel		
29	RM95097879	1							O-ring		
31	RM96702329	4							Hexagon screw		
32	RM96738596	4							Washer		
33		1							Steering Pump		See ref 913/200
34	RM95988796	1							O-ring		
37	RM59232579	1					OP		Bracket		
38		1							Pump control		See ref 912/600
39	RM95309829	2							Screw		
40	RM95919254	8							Hexagon screw		
55	RM95055265	2							Hex. socket screw		
60	RM59164251	1							Switch		WATER TEMPERATURE
61	RM59971457	1							Contact		See footnote 2737)
62	RM96741046	24							Plain washer		
63	RM59104406	1							Ground cable		
66	RM96704309	4							Hexagon screw		
67	RM96715602	1							Hexagon screw		
68	RM96704846	1							Lock nut		
77	RM59731380	2							Washer		
78	RM59539569	2					SS		Washer		

2737) Oil pressure

Date: 2014/1/14	Image id: 1037192	Catalogue: 20177	Model: SD100C
Brand: Volvo	Serial: 198060-	Group/Section: 210/450	Title: Epa Engine Installation OPTIONAL, S/N 175072- , 13409065_13351598_13409073_133



Q1-Q5	Option	Option description	
Q1 13352166_0901			

Pos	Part	Q1	Q2	Q3	Q4	Q5	PS	Kit	Description	Option(s)	Remark
1	RM13845193	1					OP		Engine		
	RM13465539	1					SS		•Oil filter		
	RM13465547	1							•Fuel filter		See footnote 2571)
	RM13064282	1					SS		•Fuel filter		PRE-FUEL FILTER
	RM59587196	2							•Oil filter		
	RM13465554	1					OP		•Belt		
	RM13852256	1							•Alternator		
	RM13465562	1					OP		•Starter motor		
2	RM13351382	1							Control		
3	RM13325857	1							Control box		

4	RM13351341	1					OP		Engine anchorage		See footnote 1324)
5	RM13351358	2							Spacer		
6	RM96705272	4							Hexagon screw		
7	RM96741046	6							Plain washer		
8	RM96704713	4							Hexagon screw		
9	RM13324769	1							Panel		See footnote 2037)
10	RM13315759	1							Indicator lamp		AMBER
11	RM59816447	1							Indicator lamp		
	RM58909268	1							•Bulb		
15	RM13279666	1							Radiator hose		See footnote 2800)
19	RM96704531	1							Lock screw		
21	RM13325808	1							Cover plate		
24	RM13470109	1							Cable harness		CONSOLE
28	RM95923108	1							Hexagon nut		
29	RM13209648	1							Switch		BATTERY MASTER
33	RM43936681	1							Decal		Master Disconnect
34	RM13353164	1							Air tube		
35	RM13342654	1							Sealing ring		
36	RM59344176	1							Clamp		
37	RM58858044	1							Cap		
38	RM59097162	2							Rubber damper		SD-100

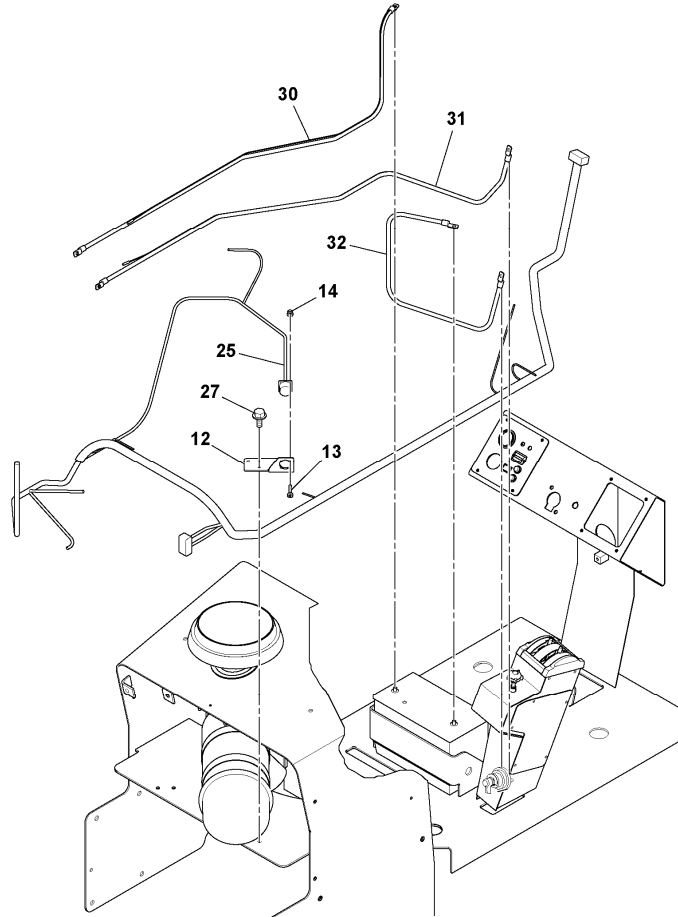
1324) front

2037) Left

2571) Water Separator/Fuel Filter

2800) Bottom

Date: 2014/1/14	Image id: 1037193	Catalogue: 20177	Model: SD100C
Brand: Volvo	Serial: 198060-	Group/Section: 210/500	Title: Epa Engine Installation OPTIONAL, S/N 175072- , 13409065_13351598_13409073_133



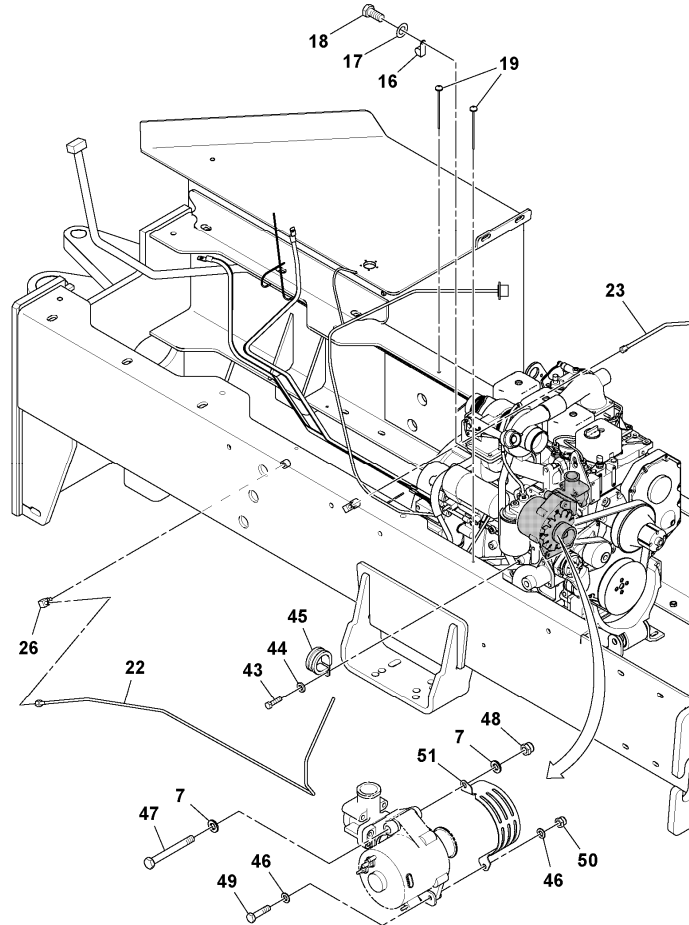
Q1-Q5	Option	Option description	
Q1 13352166_0902			

Pos	Part	Q1	Q2	Q3	Q4	Q5	PS	Kit	Description	Option(s)	Remark
12	RM13324777	1							Bracket		
13	RM59229492	4							Hex. socket screw		
14	RM59137448	4							Lock nut		
25	RM13847710	1							Cable harness		CHASSIS
27	RM59717702	2							Screw		
30	RM13310966	1							Battery cable		See footnote 2799)
31	RM13310958	1							Battery cable		See footnote 2798)
32	RM13342613	1							Ground cable		See footnote 2798)

2798) Negative

2799) Positive

Date: 2014/1/14	Image id: 1037194	Catalogue: 20177	Model: SD100C
Brand: Volvo	Serial: 198060-	Group/Section: 210/550	Title: Epa Engine Installation OPTIONAL, S/N 175072- , 13409065_13351598_13409073_133



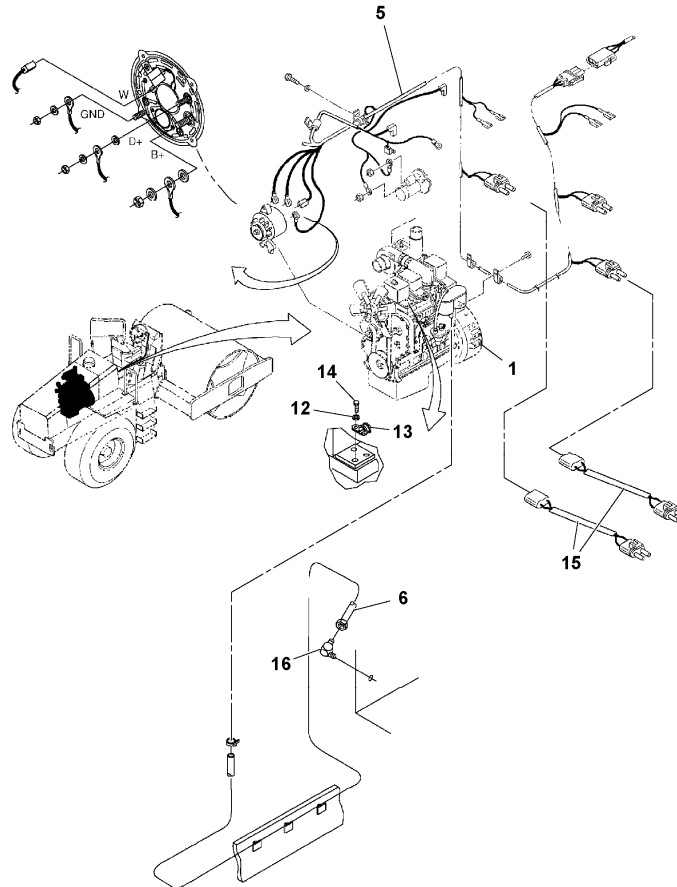
Q1-Q5	Option	Option description	
Q1 13352166_0903			

Pos	Part	Q1	Q2	Q3	Q4	Q5	PS	Kit	Description	Option(s)	Remark
7	RM96741046	6							Plain washer		
16	RM95457586	1							Clamp		
17	RM96738596	1							Washer		
18	RM96701495	1							Hexagon screw		
19	RM96704531	1							Lock screw		
20	RM58820168	REQ							Locking wire		See footnote 2624)
22	RM13342589	1							Hose assembly		
23	RM58965013	1							Hose		
26	RM95329975	1							Adapter		SD-100D/100F
40	RM96741038	2							Washer		See footnote 2624)

41	RM96715602	1							Hexagon screw		See footnote 2624)
42	RM96704614	1							Nut		See footnote 2624)
43	RM96728704	1							Hexagon screw		
44	RM96704606	1							Lock nut		
45	RM59465641	1							Clamp		
46	RM96741038	2							Washer		
47	RM96715602	1							Hexagon screw		
48	RM96704614	1							Nut		
49	RM96728704	1							Hexagon screw		
50	RM96704606	1							Lock nut		
51	RM43855626	1							Guard		

2624) Not Shown

Date: 2014/1/14	Image id: 1037184	Catalogue: 20177	Model: SD100C
Brand: Volvo	Serial: 198060-	Group/Section: 210/600	Title: Epa Engine Installation OPTIONAL, SD-100D S/N 172493-175071, 13301999



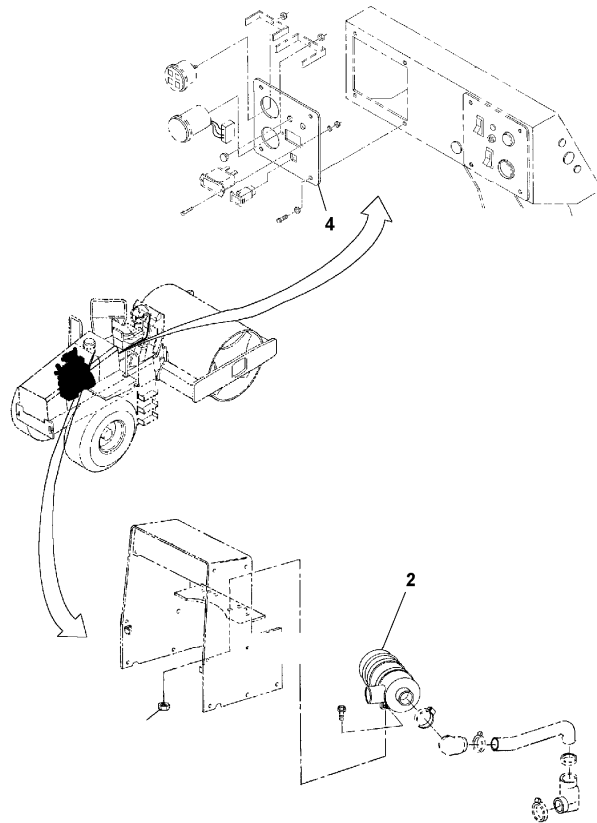
Q1-Q5	Option	Option description	
Q1 13342738_0001			

Pos	Part	Q1	Q2	Q3	Q4	Q5	PS	Kit	Description	Option(s)	Remark
1	RM13323381	1							Engine		
	RM59728170	1							•Oil filter		FILTER ELEMENT
	RM35374677	1							•Fuel filter		PRIMARY
	RM59728196	1							•Fuel filter insert		See footnote 2571)
	RM58827932	1							•Fuel filter		PRE-FUEL FILTER
	RM58887506	1							•Belt		
	RM59106435	1					SS		•Alternator		
	RM59816520	1							•Starter motor		
	RM58875196	1							••Solenoid		
5	RM13310891	1							Cable harness		

6	RM59104976	1							Hose assembly		
12	RM96741046	1							Plain washer		
13	RM59103598	1							Clamp		
14	RM96702279	1							Hexagon screw		
15	RM13310917	2							Cable harness		
16	RM95329975	1							Adapter		

2571) Water Separator/Fuel Filter

Date: 2014/1/14	Image id: 1037185	Catalogue: 20177	Model: SD100C
Brand: Volvo	Serial: 198060-	Group/Section: 210/650	Title: Epa Engine Installation OPTIONAL, SD-100D S/N 172493-175071, 13301999

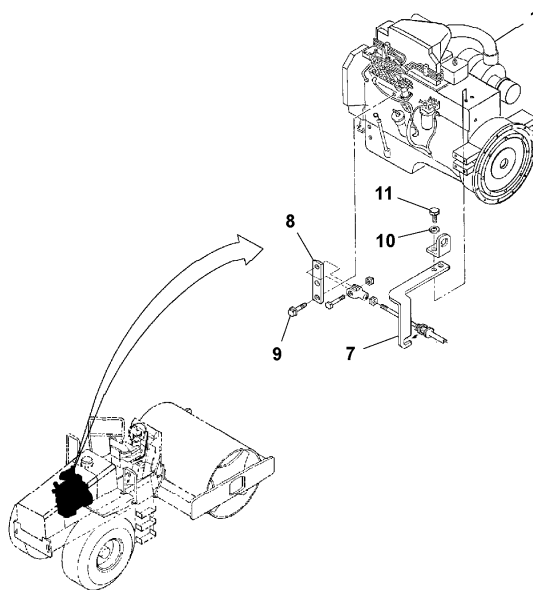


Q1-Q5	Option	Option description	
Q1 13342738_0002			

Pos	Part	Q1	Q2	Q3	Q4	Q5	PS	Kit	Description	Option(s)	Remark
2	RM43931914	1							Air cleaner		(RM59160309)
	RM35318252	1							•Air filter		PRIMARY FILTER ELEMENT
	RM35328442	1							•Safety filter		SAFETY FILTER ELEMENT
	RM50938935	2							•Nut		
	RM50938950	1							•Baffle		
	RM59155564	1							•Cup		
	RM56982143	1							•Valve		
4	RM13305388	1							Panel		See footnote 2037)

2037) Left

Date: 2014/1/14	Image id: 1037186	Catalogue: 20177	Model: SD100C
Brand: Volvo	Serial: 198060-	Group/Section: 210/700	Title: Epa Engine Installation OPTIONAL, SD-100D S/N 172493-175071, 13301999



Q1-Q5	Option	Option description	
Q1 13342738_0003			

Pos	Part	Q1	Q2	Q3	Q4	Q5	PS	Kit	Description	Option(s)	Remark
1	RM13323381	1							Engine		
	RM59728170	1							•Oil filter		FILTER ELEMENT
	RM35374677	1							•Fuel filter		PRIMARY
	RM59728196	1							•Fuel filter insert		See footnote 2571)
	RM58827932	1							•Fuel filter		PRE-FUEL FILTER
	RM58887506	1							•Belt		
	RM59106435	1					SS		•Alternator		
	RM59816520	1							•Starter motor		
	RM58875196	1							••Solenoid		
7	RM13222898	1							Bracket		

8	RM59091900	1							Bracket		
9	RM96701958	2							Hexagon screw		
10	RM96738596	2							Washer		
11	RM96702444	2							Hexagon screw		

2571) Water Separator/Fuel Filter



Suggest:

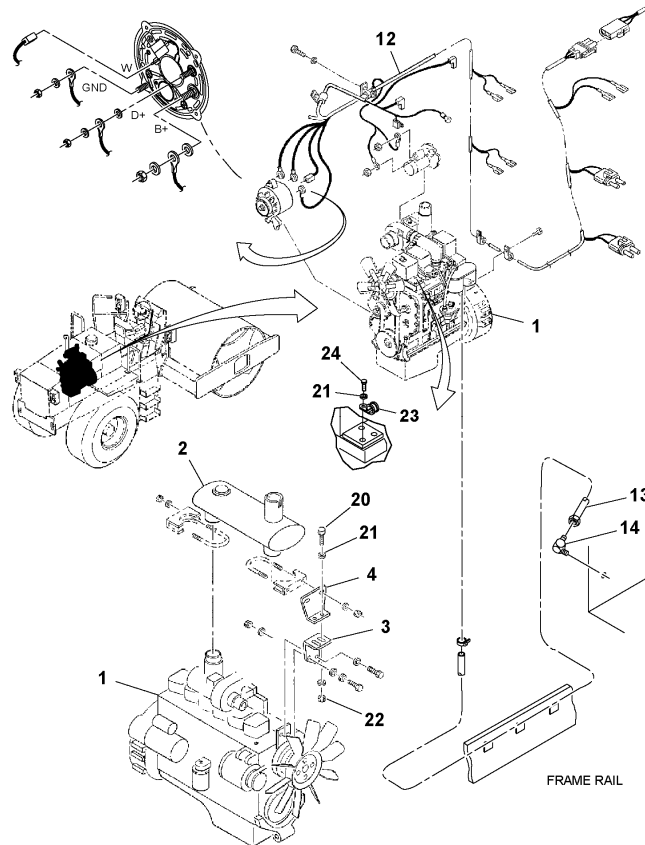
For more complete manuals. Please go to the home page.

<https://www.ebooklibonline.com>

If the above button click is invalid. Please download this document first, and then click the above link to download the complete manual.

Thank you so much for reading

Date: 2014/1/14	Image id: 1037247	Catalogue: 20177	Model: SD100C
Brand: Volvo	Serial: 198060-	Group/Section: 210/750	Title: Epa Engine Installation OPTIONAL, SD-100D S/N - 172492 AND SD-100F S/N - 17507



Q1-Q5	Option	Option description	
Q1 59206953_0601			

Pos	Part	Q1	Q2	Q3	Q4	Q5	PS	Kit	Description	Option(s)	Remark
1	RM13154687	1					OP		Engine		4BTA3.9-C125
	RM59728170	1							•Oil filter		FILTER ELEMENT
	RM35374677	1							•Fuel filter		PRIMARY
	RM59728196	1							•Fuel filter insert		See footnote 2571)
	RM58827932	1							•Fuel filter		PRE-FUEL FILTER
	RM59106435	1					SS		•Alternator		
	RM59816520	1							•Starter motor		
	RM58875196	1							••Solenoid		
2	RM59215780	1							Silencer		
3	RM58947342	1							Bracket		

4	RM58947334	1							Bracket		
12	RM13154927	1							Cable harness		
13	RM59104976	1							Hose assembly		
14	RM95329975	1							Adapter		
20	RM96701917	2							Hexagon screw		
21	RM96741046	5							Plain washer		
22	VOE971071	2							Hexagon nut		
23	RM59103598	1							Clamp		
24	RM96702279	1							Hexagon screw		

2571) Water Separator/Fuel Filter

<https://www.ebooklibonline.com>

Hello dear friend!

Thank you very much for reading.

Enter the link into your browser.

The full manual is available for immediate download.

<https://www.ebooklibonline.com>