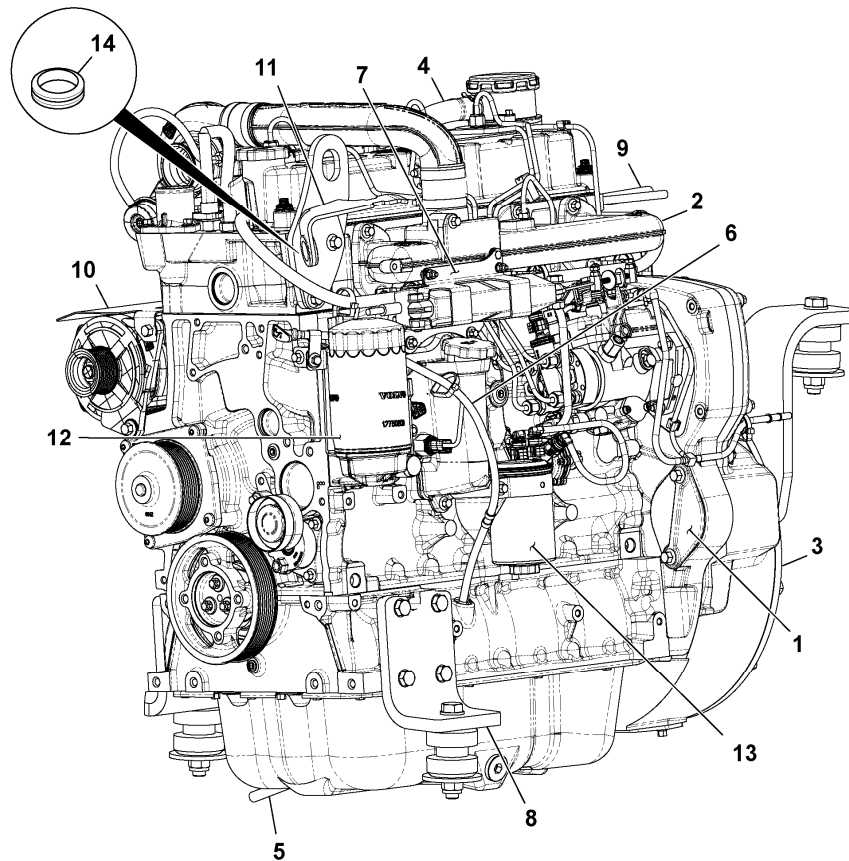


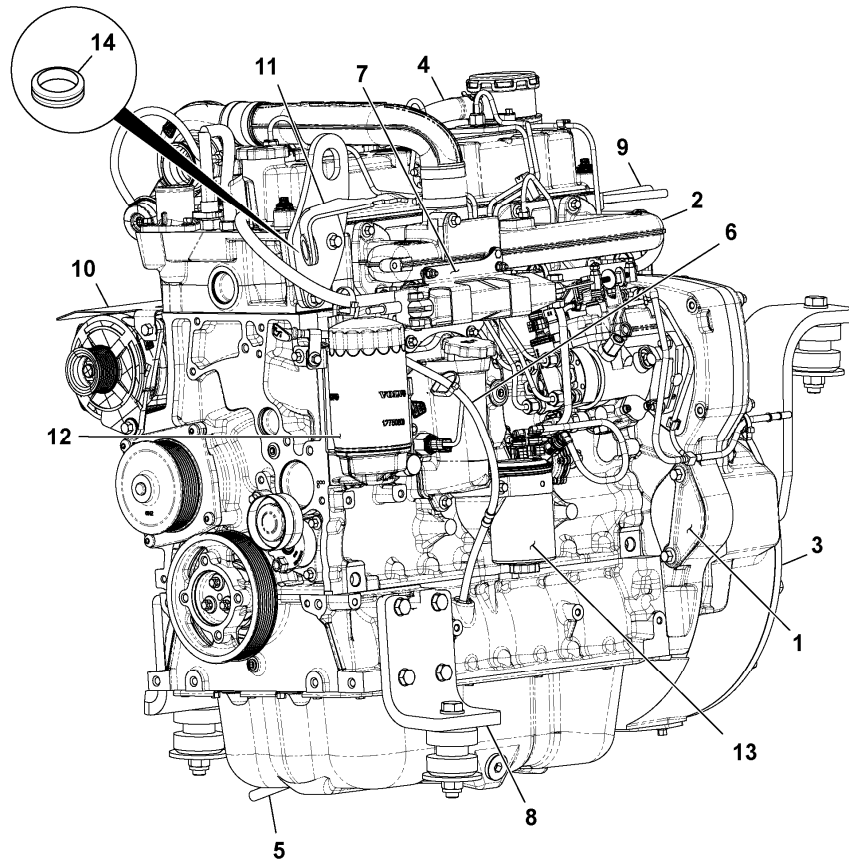
Date: 2013/10/22	Image id: 1058941	Catalogue: 20606	Model: MC110C
Brand: Volvo	Serial: 1-	Group/Section: 210/100	Title: Engine 63KW, MC110C, MC115C, MC125C, MCT110C, MCT125C



Volvo Construction
Equipment
1058941

Pos	Part	Q1	Q2	Q3	Q4	Q5	PS	Kit	Description	Option(s)	Remark
1		1							Plate		See ref 210/400
2	VOE16213422	1							Engine unit		63KW See ref 210/250
3		1							Flywheel		See ref 216/250
4		1							Breather Pipe		See ref 212/100
5		1							Oil Draining		See ref 217/200
6		1							Dipstick		See ref 217/150
7		1							Actuator		See ref 272/100
8		1							Engine Mounting		See ref 218/100
9		1							Engine Harness		See ref 371/400
10		1							Alternator		See ref 321/150
11	VOE17209567	1							Retaining plate		
12	VOE12750600	1							Oil filter		
13		1							Decal		

Date: 2013/10/22	Image id: 1058941	Catalogue: 20606	Model: MC110C
Brand: Volvo	Serial: 1-	Group/Section: 210/150	Title: Engine 68KW, MC135C, MC155C, MCT135C, MCT145C



Volvo Construction
Equipment
1058941

Pos	Part	Q1	Q2	Q3	Q4	Q5	PS	Kit	Description	Option(s)	Remark
1		1							Plate		See ref 210/400
2	VOE16213425	1							Engine unit		68KW See ref 210/300
3		1							Flywheel		See ref 216/250
4		1							Breather Pipe		See ref 212/100
5		1							Oil Draining		See ref 217/200
6		1							Dipstick		See ref 217/150
7		1							Actuator		See ref 272/100
8		1							Engine Mounting		See ref 218/100
9		1							Engine Harness		See ref 371/400
10		1							Alternator		See ref 321/150
11	VOE17209567	1							Retaining plate		
12	VOE12750600	1							Oil filter		
13		1							Decal		
14	VOE17205118	1							Plug tap		

<https://www.ebooklibonline.com>

Hello dear friend!

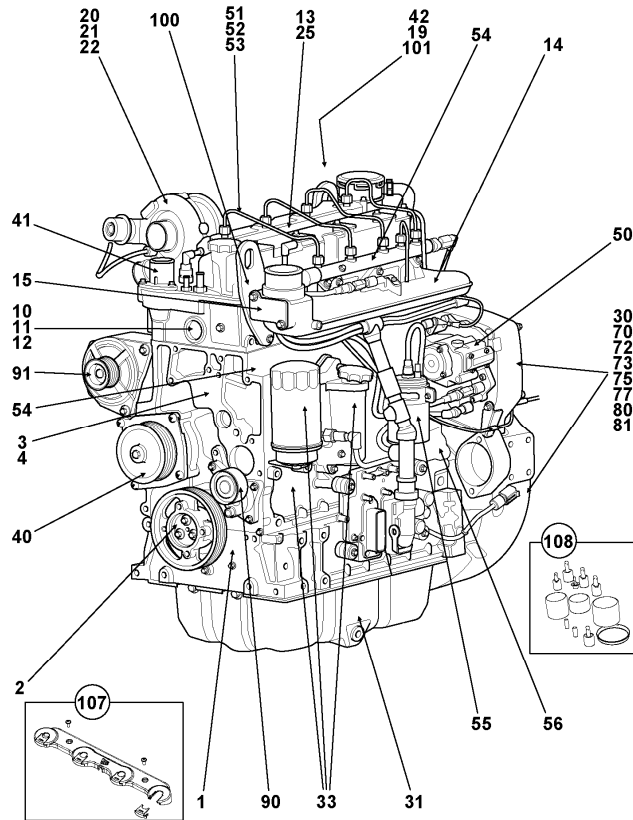
Thank you very much for reading.

Enter the link into your browser.

The full manual is available for immediate download.

<https://www.ebooklibonline.com>

Date: 2013/10/22	Image id: 1058865	Catalogue: 20606	Model: MC110C
Brand: Volvo	Serial: 1-	Group/Section: 210/250	Title: Engine 63KW, MC110C, MC115C, MC125C, MCT110C, MCT125C

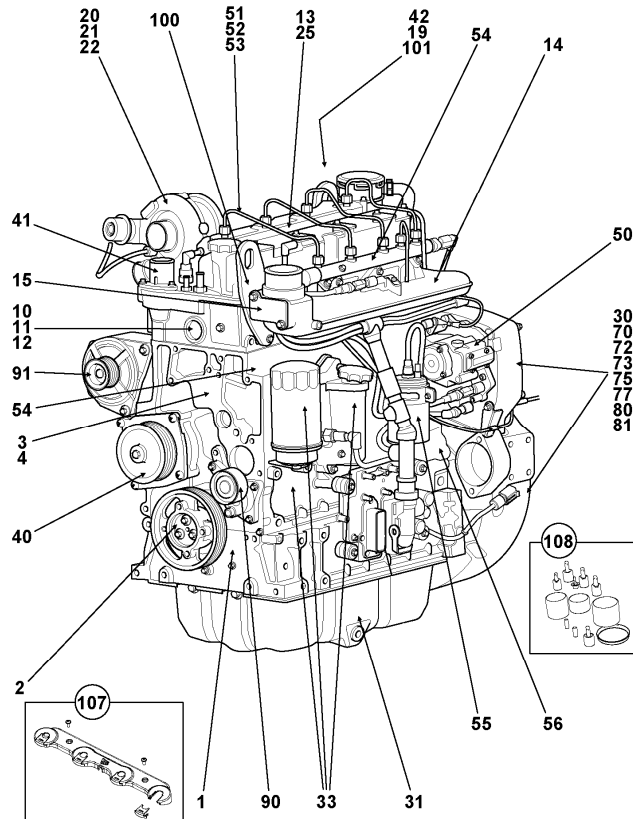


Volvo Construction
Equipment
1058865

Pos	Part	Q1	Q2	Q3	Q4	Q5	PS	Kit	Description	Option(s)	Remark
1		1							Block		See ref 212/150
2		1							Crankshaft		See ref 216/100
3		4							Piston		See ref 213/100
4		1							Camshaft		See ref 215/100
10		1							Cylinder		See ref 211/100
11		8							Inlet valve		See ref 211/150
12		8							Exhaust Valve		See ref 211/200
13		1							Rocker shaft		See ref 211/250
14		1							Manifold		See ref 251/100
15		1							Plate		INTAKE HEATER See ref 251/150
19		1							Exhaust Manifold		See ref 251/200
20		1							Turbocharger		See ref 255/150

21		1							Feed Pipe		TURBO 255/200	See ref
22		1							Drain		TURBO 255/250	See ref
25		1							Valve Cover			See ref 211/300
30		1							Oil Pump			See ref 220/100
31		1							Sump			See ref 217/300
33		1							Oil Cooler			See ref 223/100
40		1							Water Pump			See ref 262/100
41		1							Thermostat Hous			See ref 262/150
42		1							Connecting Pipe		WATER INLET 262/250	See ref
50		1							Fuel pump			See ref 233/150
51		4							Injector			See ref 237/100
52		1							Fuel pipes			See ref 235/100
53		1							Fuel pipes		LOW PRESSURE ref 235/250	See ref
54		1							Cold start device		SW	See ref 212/200
55		1							Fuel Filter			See ref 233/250
56		1							Feed Pump			See ref 233/200
70		1							Timing gear housing			See ref 216/200
72		1							Flywheel Housin			See ref 216/350
73		1							Cover Plate		FLYWHEEL See ref 216/400	ACCESS
75		1							Flywheel			See ref 216/450
77		1							Plug			See ref 216/650
80		1							Plug Blank			See ref 216/550
81		1							Cover Plate			See ref 216/600
90		1					NS		Belt Tensioner			See ref 263/450
91		1							Alternator			See ref 321/100
100		1							Lifting eye			See ref 210/350
101		1							Starter Motor			See ref 331/100
105		1							Label			
107		1							Cover Plate		INJECTOR 237/200	See ref

Date: 2013/10/22	Image id: 1058865	Catalogue: 20606	Model: MC110C
Brand: Volvo	Serial: 1-	Group/Section: 210/300	Title: Engine 68KW, MC135C, MC155C, MCT135C, MCT145C

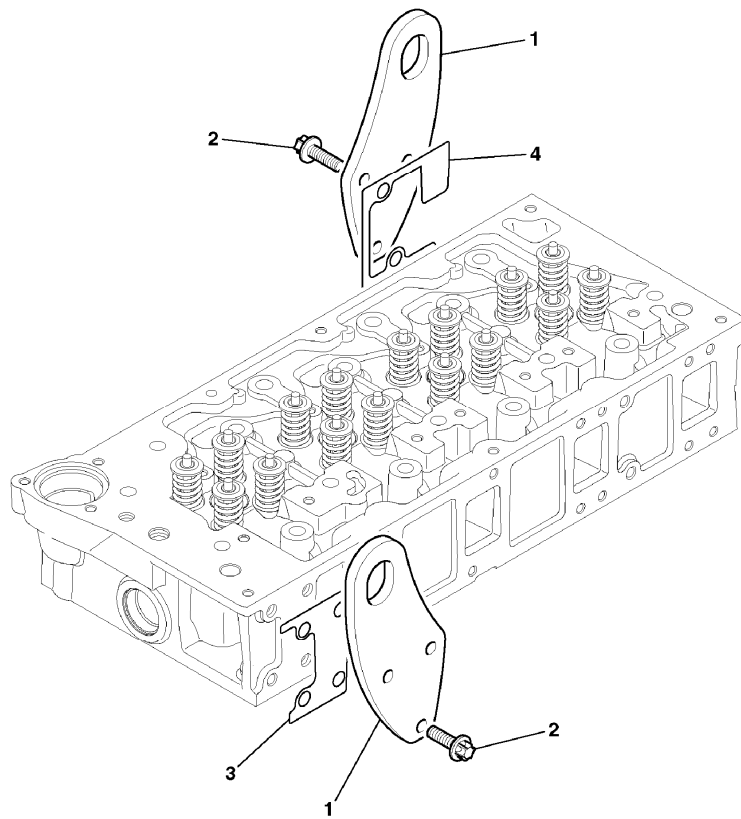


Volvo Construction
Equipment
1058865

Pos	Part	Q1	Q2	Q3	Q4	Q5	PS	Kit	Description	Option(s)	Remark
1		1							Block		See ref 212/150
2		1							Crankshaft		See ref 216/100
3		4							Piston		See ref 213/100
4		1							Camshaft		See ref 215/100
10		1							Cylinder		See ref 211/100
11		8							Inlet valve		See ref 211/150
12		8							Exhaust Valve		See ref 211/200
13		1							Rocker shaft		See ref 211/250
14		1							Manifold		See ref 251/100
15		1							Plate		INTAKE HEATER See ref 251/150
19		1							Exhaust Manifold		See ref 251/200
20		1							Turbocharger		See ref 255/100
21		1							Feed Pipe		TURBO See ref 255/200

22		1							Drain		TURBO 255/250	See ref
25		1							Valve Cover			See ref 211/300
30		1							Oil Pump			See ref 220/100
31		1							Sump			See ref 217/300
33		1							Oil Cooler			See ref 223/100
40		1							Water Pump			See ref 262/100
41		1							Thermostat Hous			See ref 262/150
42		1							Connecting Pipe		WATER INLET 262/250	See ref
50		1							Fuel pump			See ref 233/100
51		4							Injector			See ref 237/150
52		1							Fuel pipes			See ref 235/100
53		1							Fuel pipes		LOW PRESSURE ref 235/250	See ref
54		1							Cold start device		SW	See ref 212/200
55		1							Fuel Filter			See ref 233/250
56		1							Feed Pump			See ref 233/200
70		1							Timing gear housing			See ref 216/200
72		1							Flywheel Housin			See ref 216/350
73		1							Cover Plate		FLYWHEEL See ref 216/400	ACCESS
75		1							Flywheel			See ref 216/450
77		1							Plug			See ref 216/650
80		1							Plug Blank			See ref 216/550
81		1							Cover Plate			See ref 216/600
90		1					NS		Belt Tensioner			See ref 263/450
91		1							Alternator			See ref 321/100
100		1							Lifting eye			See ref 210/350
101		1							Starter Motor			See ref 331/100
105		1							Label			
107		1							Cover Plate		INJECTOR 237/200	See ref

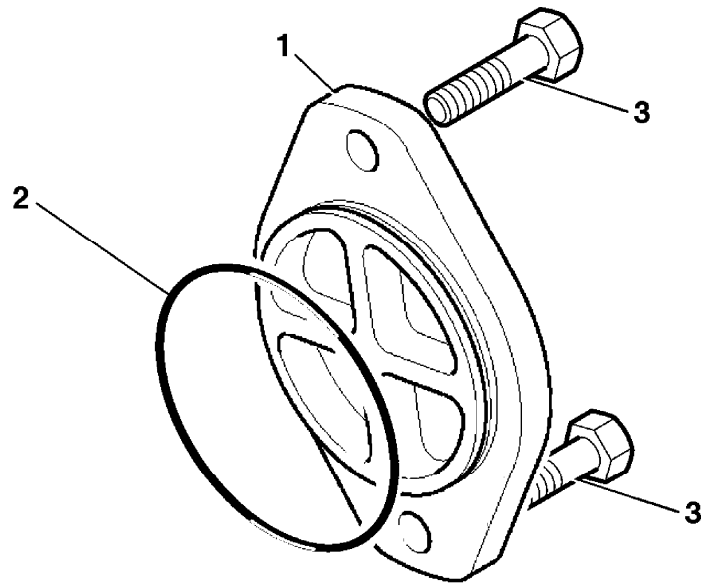
Date: 2013/10/22	Image id: 1059158	Catalogue: 20606	Model: MC110C
Brand: Volvo	Serial: 1-	Group/Section: 210/350	Title: Lifting eye



Volvo Construction
Equipment
1059158

Pos	Part	Q1	Q2	Q3	Q4	Q5	PS	Kit	Description	Option(s)	Remark
1	VOE16213321	2							Bracket		
2	VOE17205146	4							Bolt		
3	VOE17210070	1							Label		
4	VOE17210077	1							Label		

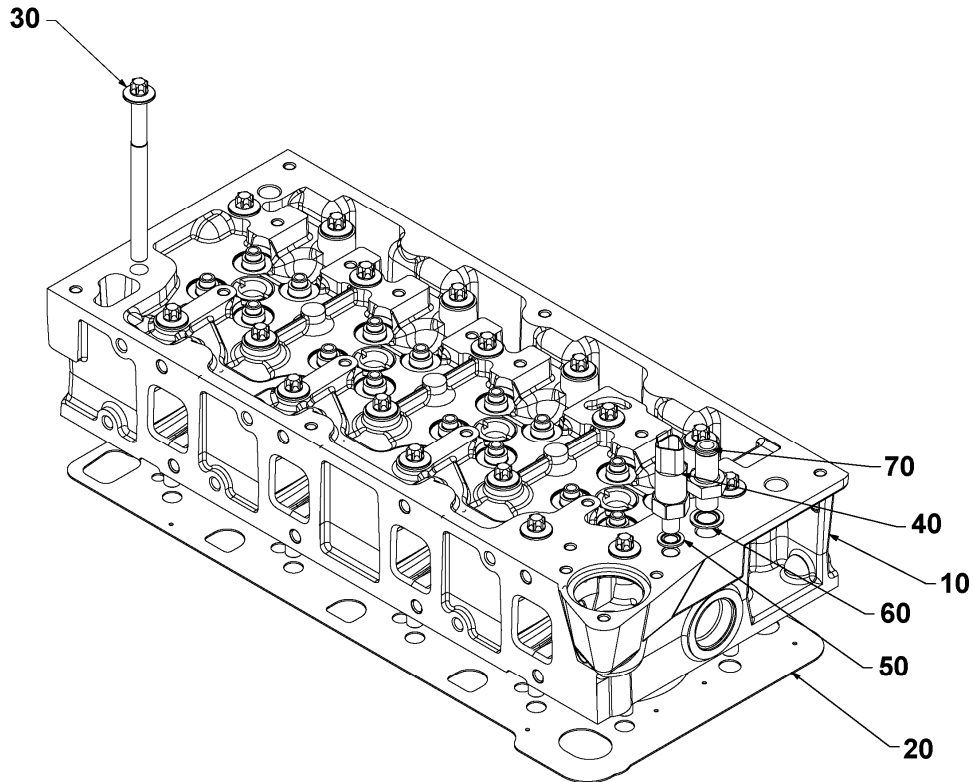
Date: 2013/10/22	Image id: 1059163	Catalogue: 20606	Model: MC110C
Brand: Volvo	Serial: 1-	Group/Section: 210/400	Title: Cover



Volvo Construction
Equipment
1059163

Pos	Part	Q1	Q2	Q3	Q4	Q5	PS	Kit	Description	Option(s)	Remark
1	VOE17205236	1							Cover		
2	VOE16213366	1							O-ring		
3	VOE16212104	2							Bolt		

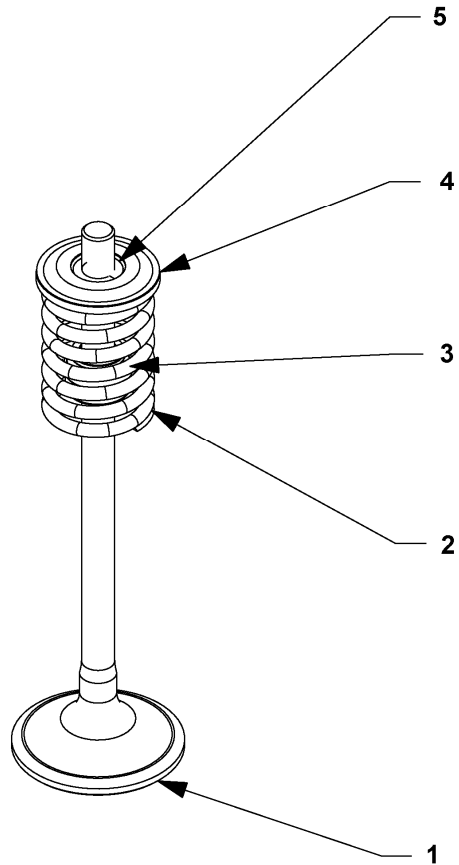
Date: 2013/10/22	Image id: 1058860	Catalogue: 20606	Model: MC110C
Brand: Volvo	Serial: 1-	Group/Section: 211/100	Title: Cylinder head



Volvo Construction
Equipment
1058860

Pos	Part	Q1	Q2	Q3	Q4	Q5	PS	Kit	Description	Option(s)	Remark
10	VOE17209591	1					NS		Cylinder		See ref 211/350
20	VOE16213466	1							Gasket		
30	VOE17204929	18							Bolt		
40	VOE16213476	1							Switch		
50	VOE16213284	1							Sealing		
60	VOE16213157	1							Sealing		
70	VOE17204986	1							Connecting pipe		

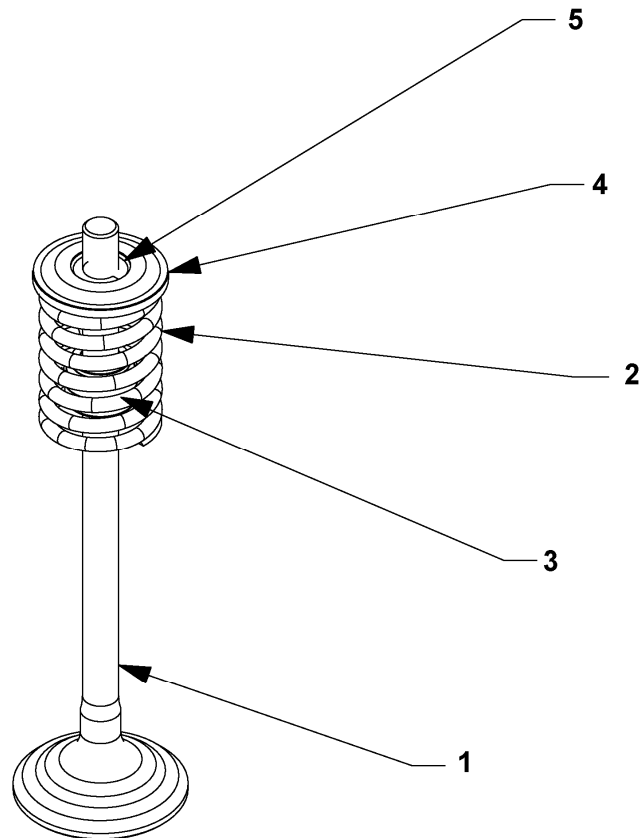
Date: 2013/10/22	Image id: 1058842	Catalogue: 20606	Model: MC110C
Brand: Volvo	Serial: 1-	Group/Section: 211/150	Title: Inlet valve



Volvo Construction
Equipment
1058842

Pos	Part	Q1	Q2	Q3	Q4	Q5	PS	Kit	Description	Option(s)	Remark
1	VOE16213170	1							Inlet valve		
2	VOE17204942	1							Spring		
3	VOE16213276	1							Sealing		
4	VOE17205302	1							Retainer		
5	VOE16213177	2							Valve cotter		

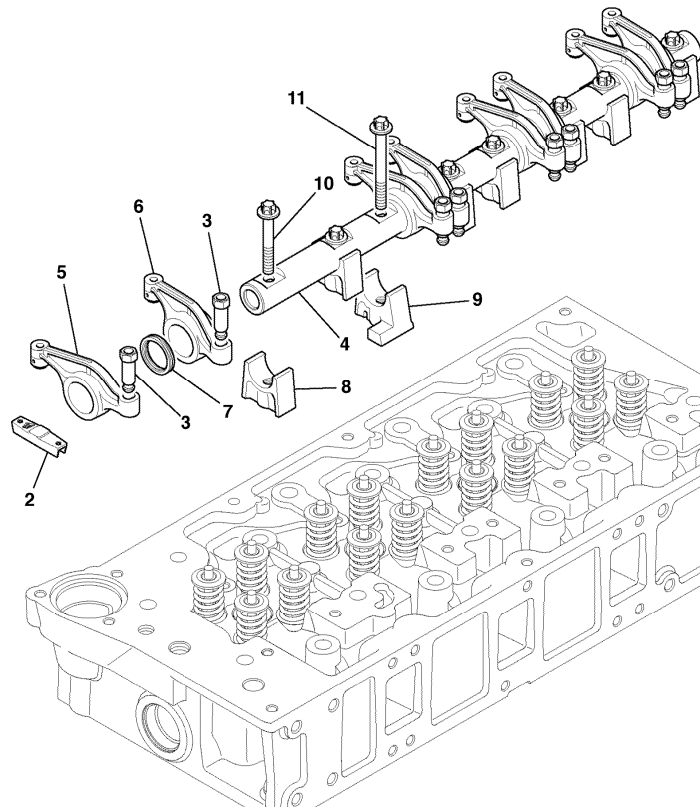
Date: 2013/10/22	Image id: 1058843	Catalogue: 20606	Model: MC110C
Brand: Volvo	Serial: 1-	Group/Section: 211/200	Title: Exhaust valve



Volvo Construction
Equipment
1058843

Pos	Part	Q1	Q2	Q3	Q4	Q5	PS	Kit	Description	Option(s)	Remark
1	VOE16213175	1							Valve		
2	VOE17204942	1							Spring		
3	VOE16213276	1							Sealing		
4	VOE17205302	1							Retainer		
5	VOE16213177	2							Valve cotter		

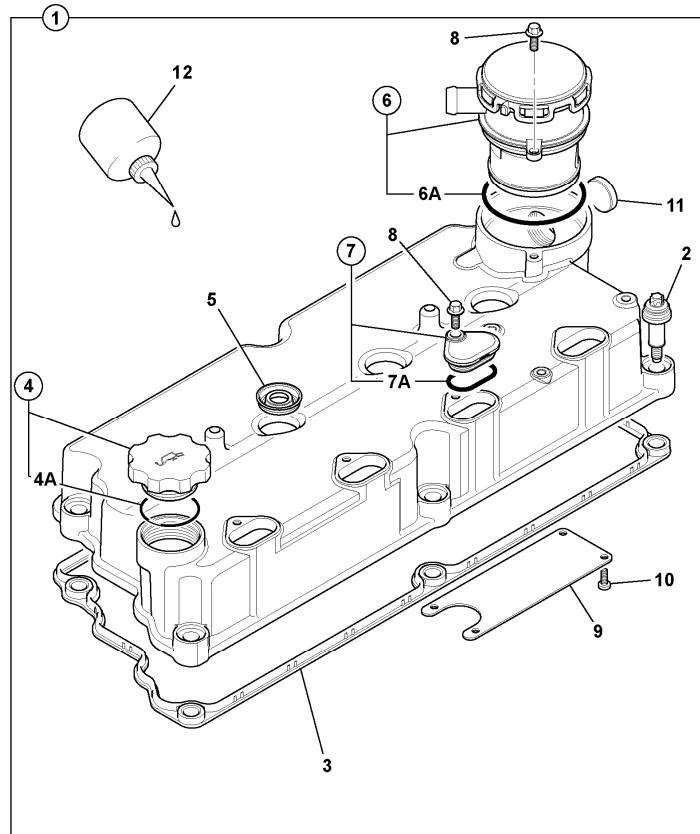
Date: 2013/10/22	Image id: 1059174	Catalogue: 20606	Model: MC110C
Brand: Volvo	Serial: 1-	Group/Section: 211/250	Title: Rocker shaft



Volvo Construction
Equipment
1059174

Pos	Part	Q1	Q2	Q3	Q4	Q5	PS	Kit	Description	Option(s)	Remark
2	VOE17204941	8							Bracket		
3	VOE17209985	8							Adjusting pin		
4	VOE17205131	1							Rocker arm shaft		
5	VOE17204939	4							Rocker arm		
6	VOE17204957	4							Rocker arm		
7	VOE17205567	4							Spring washer		
8	VOE17204935	7							Bracket		
9	VOE17204922	1							Bracket		
10	VOE17205112	7							Bolt		
11	VOE17205115	1							Bolt		

Date: 2013/10/22	Image id: 1059184	Catalogue: 20606	Model: MC110C
Brand: Volvo	Serial: 1-	Group/Section: 211/300	Title: Valve cover MC110C, MC115C, MC125C, MCT110C, MCT125C

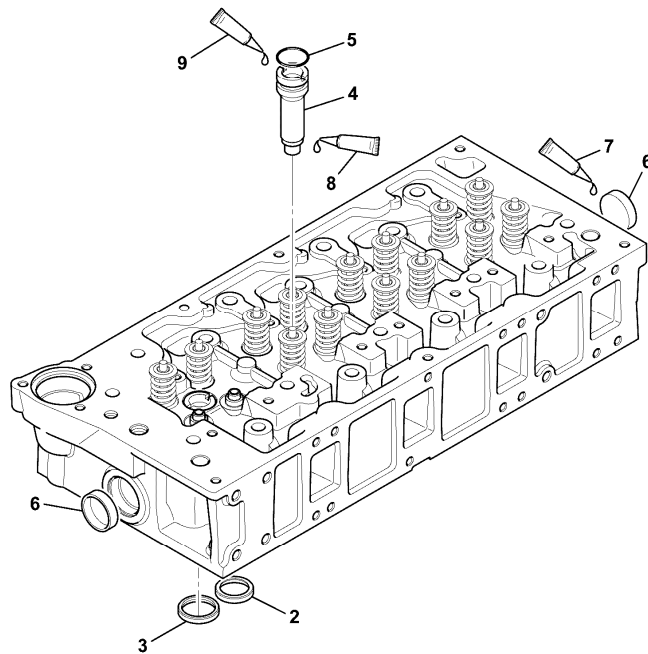


Volvo Construction
Equipment
1059184

Pos	Part	Q1	Q2	Q3	Q4	Q5	PS	Kit	Description	Option(s)	Remark
1	VOE17205148	1							Valve cover		
2	VOE17205036	1							•Bolt		
2	VOE17205059	1							•Bolt		
3	VOE16213277	1							•Sealing		
4	VOE16213358	1							•Cap		
4A	VOE17205492	1							••O-ring		
5	VOE16213280	4							•Sealing		
6	VOE16213188	1							•Oil separator		
6A	VOE17209580	1							••Sealing		
7		1					NS		•		
8	VOE17205253	2							•Flange screw		
9	VOE17209697	1							•Plate		
10	VOE17209665	4							•Screw		
11	VOE17205056	1							•Plug		

12	VOE17205109	1					NS		•Sealant		
----	-------------	---	--	--	--	--	----	--	----------	--	--

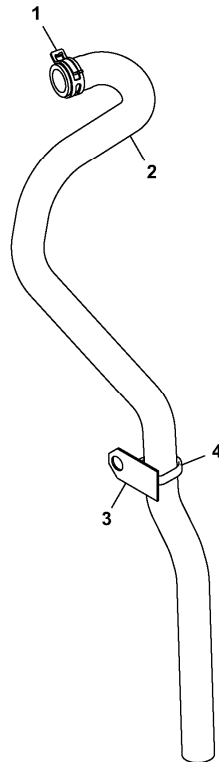
Date: 2013/10/22	Image id: 1059186	Catalogue: 20606	Model: MC110C
Brand: Volvo	Serial: 1-	Group/Section: 211/350	Title: Cylinder head



Volvo Construction
Equipment
1059186

Pos	Part	Q1	Q2	Q3	Q4	Q5	PS	Kit	Description	Option(s)	Remark
	VOE17209591	1					NS		Cylinder		See ref 211/100
2	VOE17205025	8							Valve seat		
3	VOE17205022	8							Valve		
4	VOE17205017	4					NS		Injector Sleeve		
5	VOE17205493	4							O-ring		
6	VOE17205001	2							Plug		
7	VOE17205391	REQ					NS		Sealant		
8	VOE17205145	REQ					NS		Adhesive		
9	VOE17205179	REQ					NS		Lubricant		

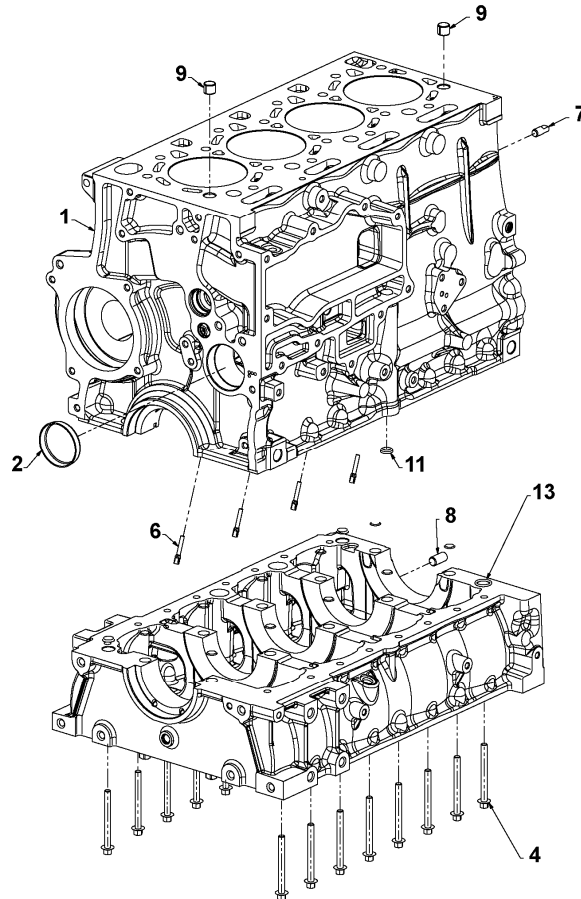
Date: 2013/10/22	Image id: 1059005	Catalogue: 20606	Model: MC110C
Brand: Volvo	Serial: 1-	Group/Section: 212/100	Title: Breather Pipe



Volvo Construction
Equipment
1059005

Pos	Part	Q1	Q2	Q3	Q4	Q5	PS	Kit	Description	Option(s)	Remark
1	VOE17205421	1							Hose clamp		
2	VOE17209637	1							Hose		
3	VOE17205417	1							Clip		
4	VOE17205188	1							Tie straps		

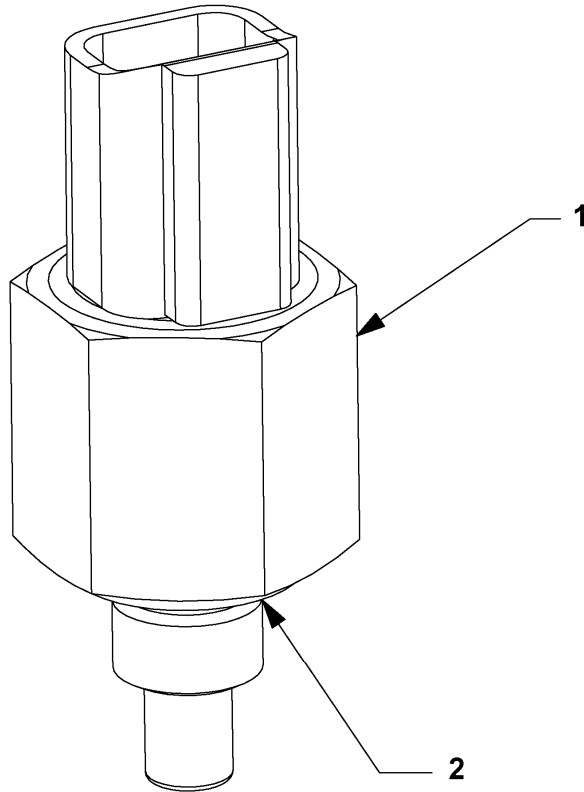
Date: 2013/10/22	Image id: 1058857	Catalogue: 20606	Model: MC110C
Brand: Volvo	Serial: 1-	Group/Section: 212/150	Title: Cylinder block



Volvo Construction
Equipment
1058857

Pos	Part	Q1	Q2	Q3	Q4	Q5	PS	Kit	Description	Option(s)	Remark
1	VOE17205000	1							Block		See ref 212/300
2	VOE17205005	1							Plug		
4	VOE17205137	16							Bolt		
6	VOE17205051	4							Nozzle		
7	VOE17205077	1							Tab		
8	VOE17204984	1							Tab		
9	VOE17204921	2							Rubber ring		
11	VOE17205086	1							Plug		
13	VOE17205482	1							O-ring		

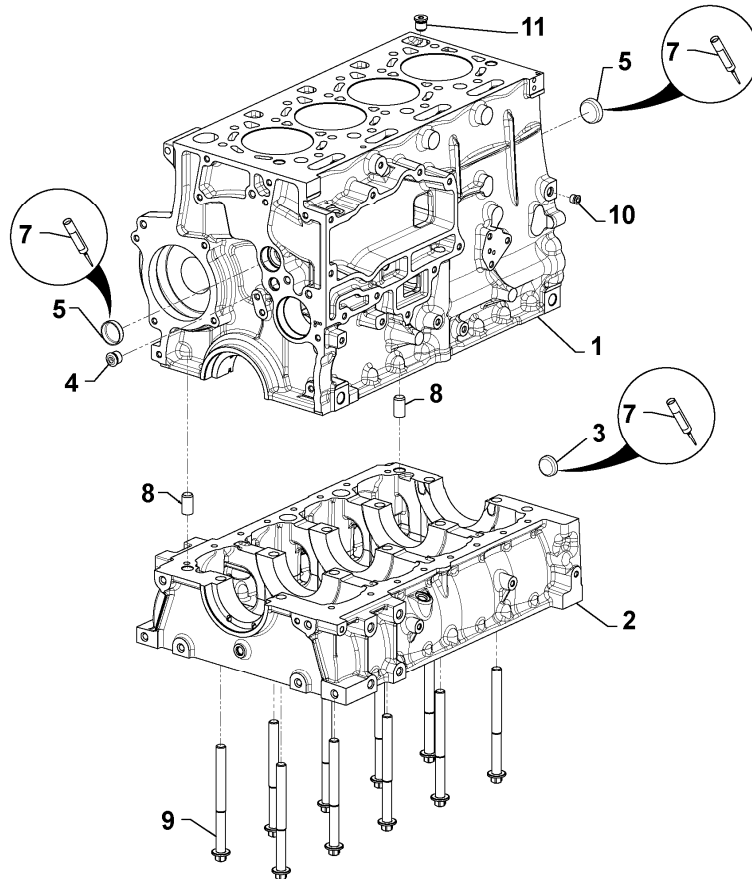
Date: 2013/10/22	Image id: 1058849	Catalogue: 20606	Model: MC110C
Brand: Volvo	Serial: 1-	Group/Section: 212/200	Title: Cold start switch



Volvo Construction
Equipment
1058849

Pos	Part	Q1	Q2	Q3	Q4	Q5	PS	Kit	Description	Option(s)	Remark
1	VOE16213261	1							Switch		
2	VOE16213284	1							Sealing		

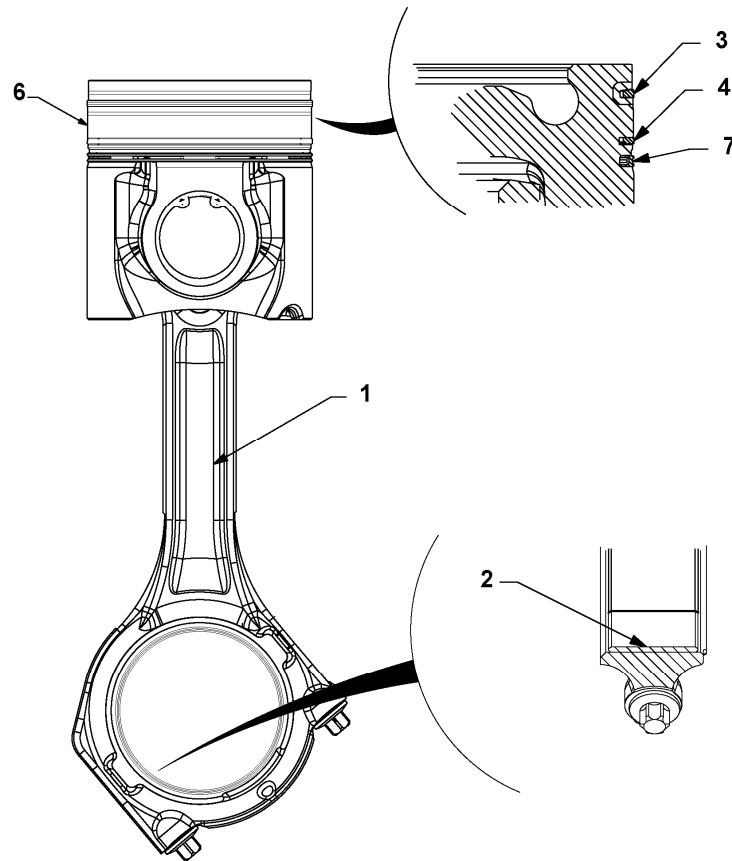
Date: 2013/10/22	Image id: 1058831	Catalogue: 20606	Model: MC110C
Brand: Volvo	Serial: 1-	Group/Section: 212/300	Title: Cylinder block



Volvo Construction
Equipment
1058831

Pos	Part	Q1	Q2	Q3	Q4	Q5	PS	Kit	Description	Option(s)	Remark
1	VOE17210234	1							Block		
2	VOE17210222	1							Plate		
3	VOE17205078	1							Plug		
4	VOE17205213	1							Plug		
5	VOE17204993	2							Plug		
7		REQ					NS		Sealant		
8	VOE17204973	2					NS		Tab		
9	VOE17205098	10							Bolt		
10	VOE17205569	1							Plug		
11	VOE17209511	1							Valve		

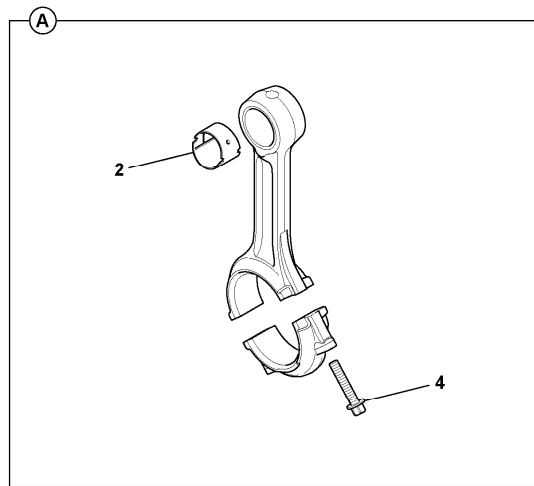
Date: 2013/10/22	Image id: 1058858	Catalogue: 20606	Model: MC110C
Brand: Volvo	Serial: 1-	Group/Section: 213/100	Title: Connecting rod and piston



Volvo Construction
Equipment
1058858

Pos	Part	Q1	Q2	Q3	Q4	Q5	PS	Kit	Description	Option(s)	Remark
1	VOE16213294	1							Rod		See ref 213/150
2	VOE16213225	2							Bearing		
3	VOE17204927	1							Piston ring		
4	VOE17205061	1							Piston ring		
6	VOE16213340	1							Piston		See ref 213/200
7	VOE17205140	1							Piston ring		

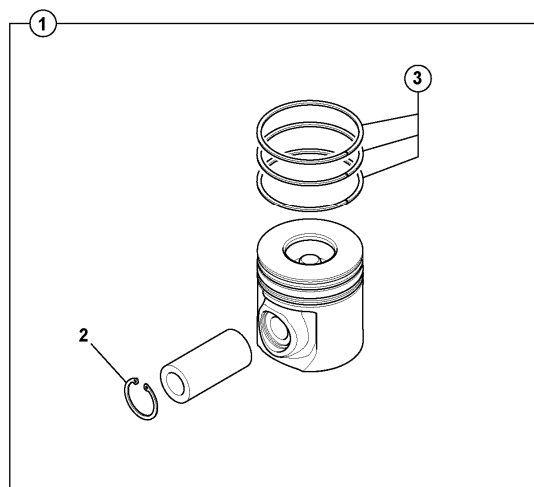
Date: 2013/10/22	Image id: 1059188	Catalogue: 20606	Model: MC110C
Brand: Volvo	Serial: 1-	Group/Section: 213/150	Title: Connecting rod



Volvo Construction
Equipment
1059188

Pos	Part	Q1	Q2	Q3	Q4	Q5	PS	Kit	Description	Option(s)	Remark
A	VOE16213294	1							Rod		
2	VOE17204926	2							•Bushing		
4	VOE17205181	2							•Bolt		

Date: 2013/10/22	Image id: 1059187	Catalogue: 20606	Model: MC110C
Brand: Volvo	Serial: 1-	Group/Section: 213/200	Title: Piston STD, O SZ



Volvo Construction
Equipment
1059187

Pos	Part	Q1	Q2	Q3	Q4	Q5	PS	Kit	Description	Option(s)	Remark
1	VOE16213418	1							Piston kit		STD SZ
1	VOE17205241	REQ							Piston ring kit		O SZ = 0.5 MM
1	VOE17210010	REQ							Kit		O SZ = 1.0 MM
2	VOE17205298	2							•Retainer		
3	VOE17210017	1							•Piston ring kit		STD SZ
3	VOE17210026	REQ							•Piston ring kit		O SZ = 0.5 MM
3	VOE16213419	REQ							•Piston kit		O SZ = 1,0 MM



Suggest:

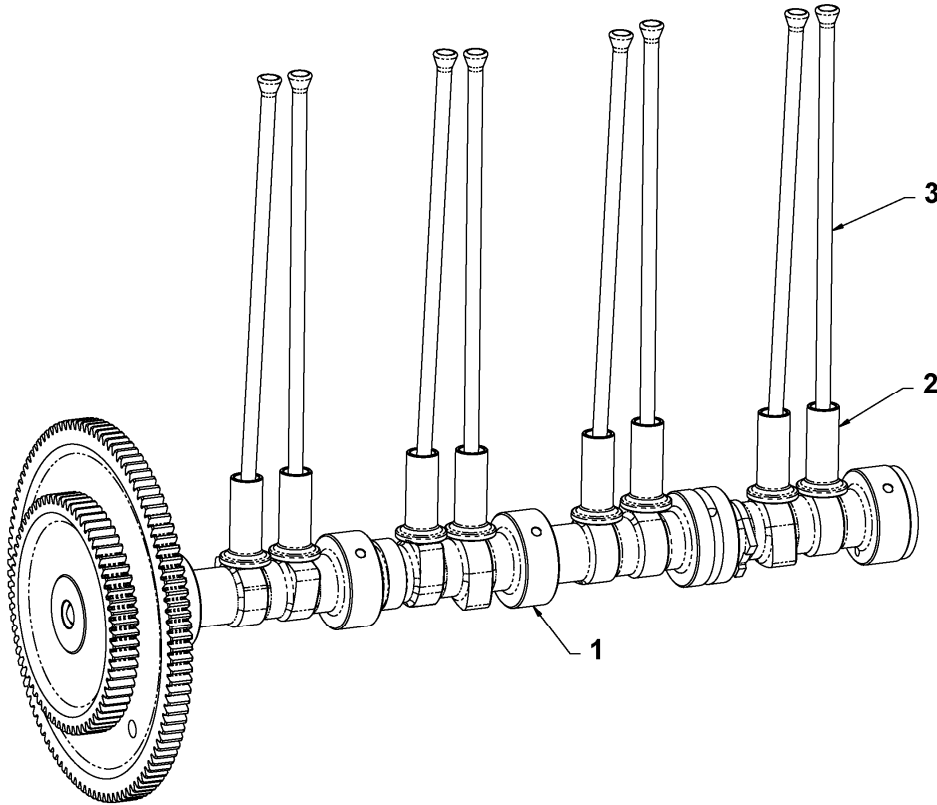
For more complete manuals. Please go to the home page.

<https://www.ebooklibonline.com>

If the above button click is invalid. Please download this document first, and then click the above link to download the complete manual.

Thank you so much for reading

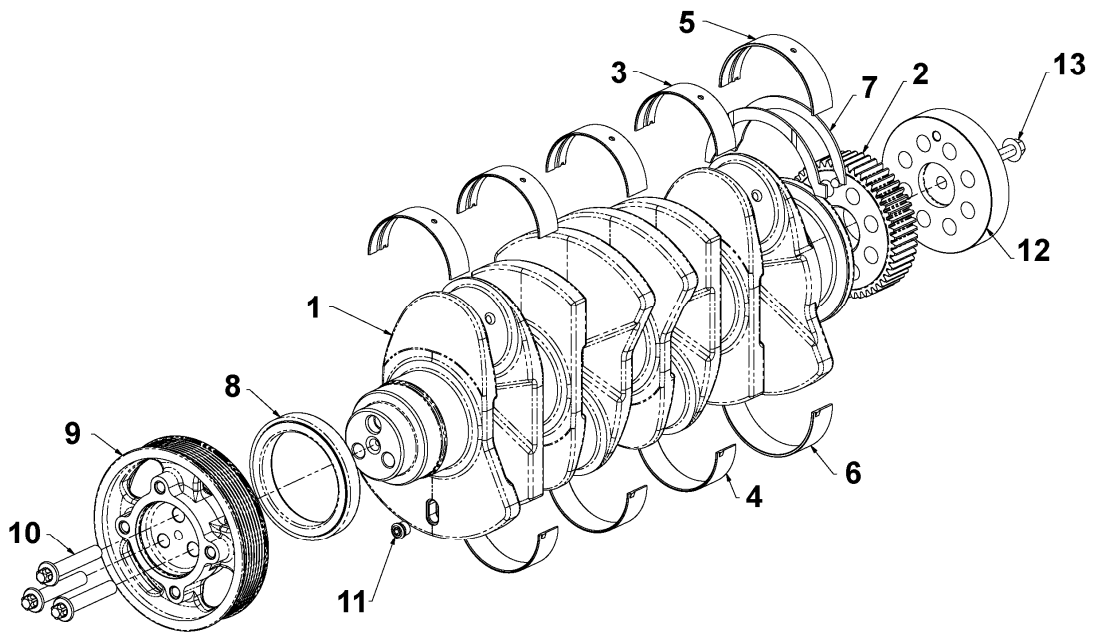
Date: 2013/10/22	Image id: 1058859	Catalogue: 20606	Model: MC110C
Brand: Volvo	Serial: 1-	Group/Section: 215/100	Title: Camshaft



Volvo Construction
Equipment
1058859

Pos	Part	Q1	Q2	Q3	Q4	Q5	PS	Kit	Description	Option(s)	Remark
1	VOE17210177	1							Camshaft		
2	VOE16213250	8							Valve		
3	VOE16213291	8							Rod		

Date: 2013/10/22	Image id: 1058841	Catalogue: 20606	Model: MC110C
Brand: Volvo	Serial: 1-	Group/Section: 216/100	Title: Crankshaft and related parts



Volvo Construction
Equipment
1058841

Pos	Part	Q1	Q2	Q3	Q4	Q5	PS	Kit	Description	Option(s)	Remark
1	VOE17205190	1							Crankshaft		
2	VOE16213461	1							Crankshaft gear		See ref 216/150
3	VOE16213238	4							Bearing		
4	VOE16213217	4							Bearing		
5	VOE16213211	1							Bearing		
6	VOE16213214	1							Bearing		
7	VOE16213145	2							Thrust washer		
8	VOE16213281	1							Sealing		
9	VOE16213325	1							Pulley		
10	VOE17204948	3							Bolt		
11	VOE17205569	1							Plug		
12	VOE17205089	1							Wheel gear housing		
13	VOE17205122	1							Bolt		

<https://www.ebooklibonline.com>

Hello dear friend!

Thank you very much for reading.

Enter the link into your browser.

The full manual is available for immediate download.

<https://www.ebooklibonline.com>