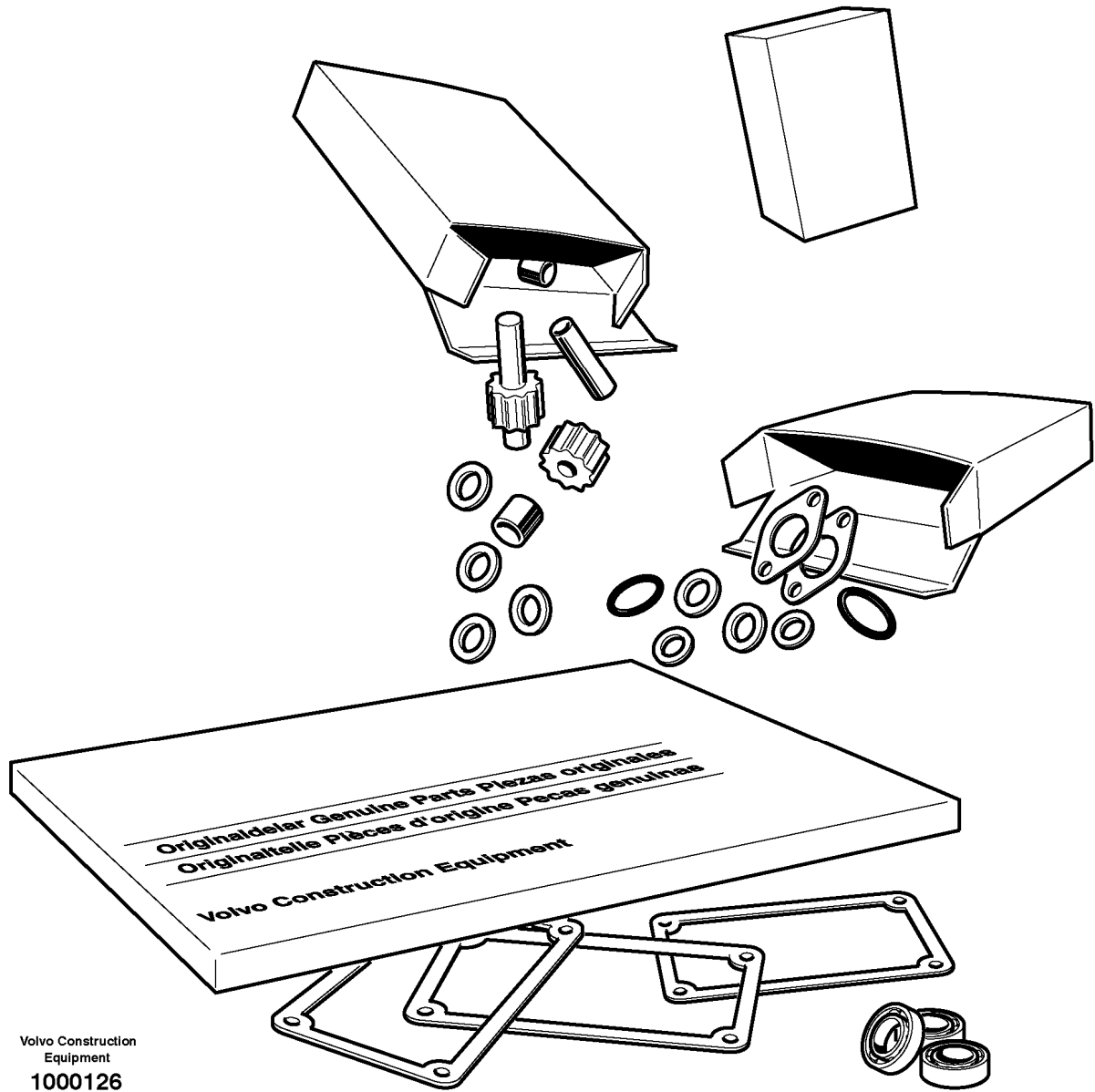


Date: 2013/10/21	Image id: 1000126	Catalogue: 20164	Model: MC80B
Brand: Volvo	Serial: 71000-	Group/Section: 210/100	Title: Repair kits for engine



Volvo Construction
Equipment
1000126

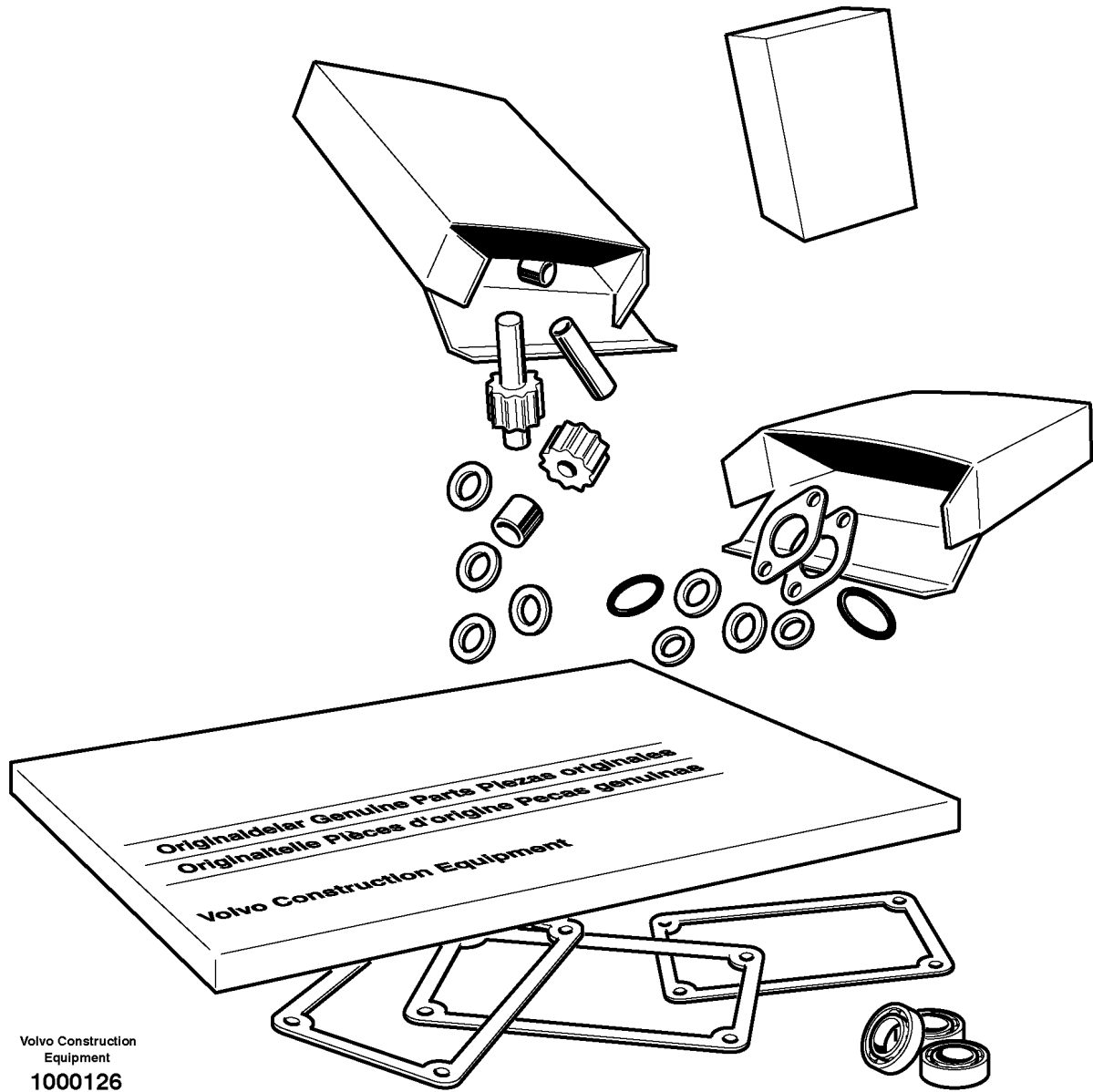
Section option	Kit	Option description
VOE11852930		Engine
VOE11858383		Engine TIER 3, US & EU MARKET

Q1-Q5	Option	Option description	
Q1 11858383	VOE11858383	Engine TIER 3, US & EU MARKET	

Pos	Part	Q1	Q2	Q3	Q4	Q5	PS	Kit	Description	Option(s)	Remark
	VOE15102340	1							Gasket kit		

	VOE14528171	1					SS		•Cylinder head gasket		
	VOE11714738	2							•O-ring		
	VOE11714739	1							•O-ring		
	SA8210-08860	2							•O-ring		
	VOE14521512	1							•Wrapping		
	VOE11714371	2							•O-ring		
	VOE11713639	1							•Sealing		
	VOE15057732	4							•Valve seal		
	VOE14521527	4							•Valve seal		
	VOE14521532	4							•Protection		
	VOE11714381	1							•Seat		
	VOE11714386	3							•O-ring		
	VOE15057758	1							•Valve cover gasket		
	VOE14521554	1							•Gasket		
	VOE11714827	1							•Gasket		
	VOE11714741	1							•Gasket		
	VOE11714737	1							•Gasket		
	VOE15066176	1							•Gasket		
	VOE15066187	1							•Gasket		
	VOE15066188	1							•Gasket		
	VOE11714614	2							•Gasket		
	VOE14509382	2							•O-ring		
	VOE11713783	1							•O-ring		
	VOE11714476	1							•Sealing washer		
	VOE11714879	1							•Gasket		
	VOE11714871	1							•O-ring		
	VOE11714477	1							•Gasket		
	VOE11714740	1							•Gasket		
	VOE11714875	1							•Gasket		
	VOE11714478	1							•Gasket		
	VOE11713313	3							•Sealing		
	VOE14521606	2							•Gasket		

Date: 2013/10/21	Image id: 1000126	Catalogue: 20164	Model: MC80B
Brand: Volvo	Serial: 71000-	Group/Section: 210/110	Title: Repair kits for engine



Volvo Construction
Equipment
1000126

Section option	Kit	Option description
VOE11858379		Engine TIER 2A, INTERNATIONAL MARKET
VOE15635467		Engine TIER 2A, INTERNATIONAL MARKET

Q1-Q5	Option	Option description	
Q1 11858379	VOE11858379	Engine TIER 2A, INTERNATIONAL MARKET	

Pos	Part	Q1	Q2	Q3	Q4	Q5	PS	Kit	Description	Option(s)	Remark
	VOE11714736	1							Gasket kit		

<https://www.ebooklibonline.com>

Hello dear friend!

Thank you very much for reading.

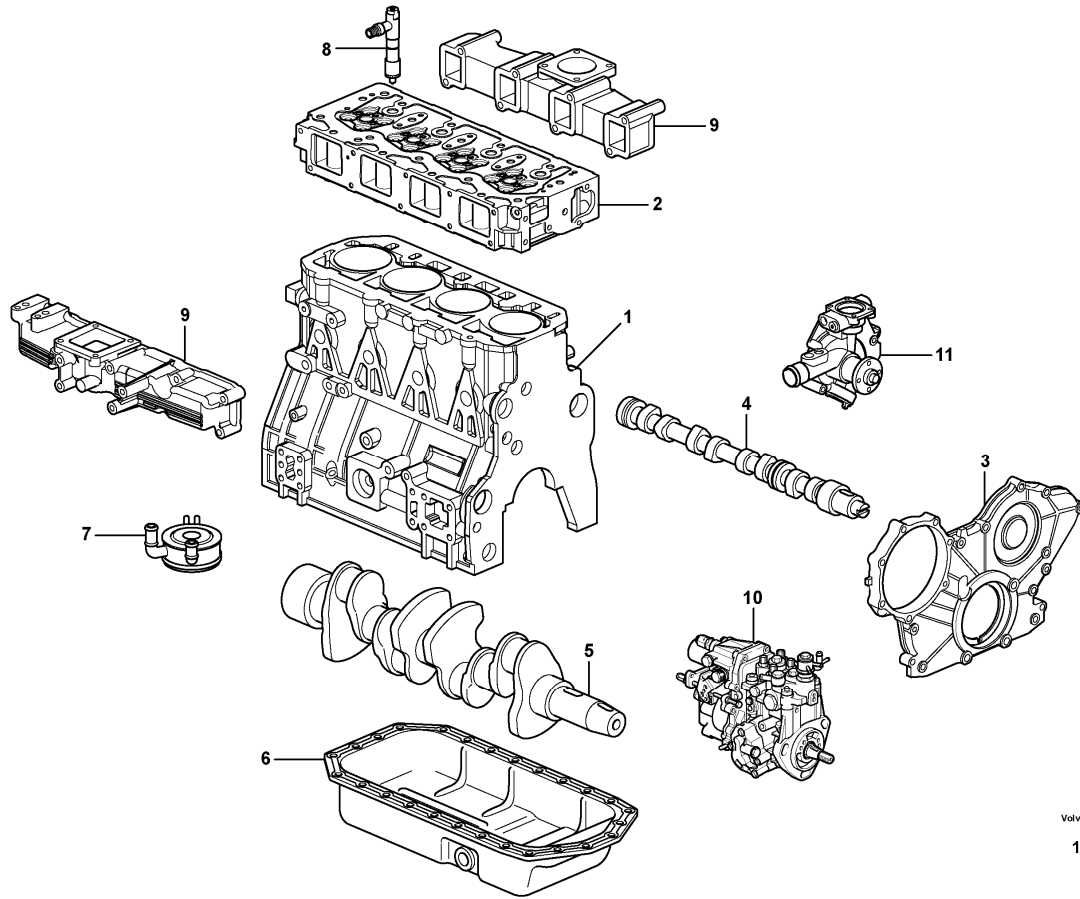
Enter the link into your browser.

The full manual is available for immediate download.

<https://www.ebooklibonline.com>

VOE14509382	1								•O-ring		
VOE14521606	5								•Gasket		
VOE14528171	1					SS			Cylinder head gasket		
VOE14521527	8								•Valve seal		
VOE14521532	4								•Protection		
VOE11714381	4								•Seat		
VOE14521552	1								•Gasket		
VOE14521554	1								•Gasket		
VOE11714737	1								•Gasket		
VOE11714614	1								•Gasket		
VOE14521528	8								•Valve seal		
VOE11714738	2								•O-ring		
VOE11714739	1								•O-ring		
VOE11714346	1								•O-ring		
VOE11713639	1								•Sealing		
VOE11714740	1								•Gasket		
VOE11714741	1								•Gasket		
VOE11713783	1								•O-ring		
VOE11714875	1								•Gasket		
VOE11714478	2								•Gasket		
VOE11714871	2								•O-ring		
VOE11714386	8								•O-ring		
VOE11714371	2								•O-ring		
VOE11714476	7								•Sealing washer		
VOE14521512	1								•Wrapping		
VOE11714879	1								•Gasket		

Date: 2013/10/21	Image id: 1018250	Catalogue: 20164	Model: MC80B
Brand: Volvo	Serial: 71000-	Group/Section: 210/150	Title: Engine



Volvo Construction
Equipment
1018250

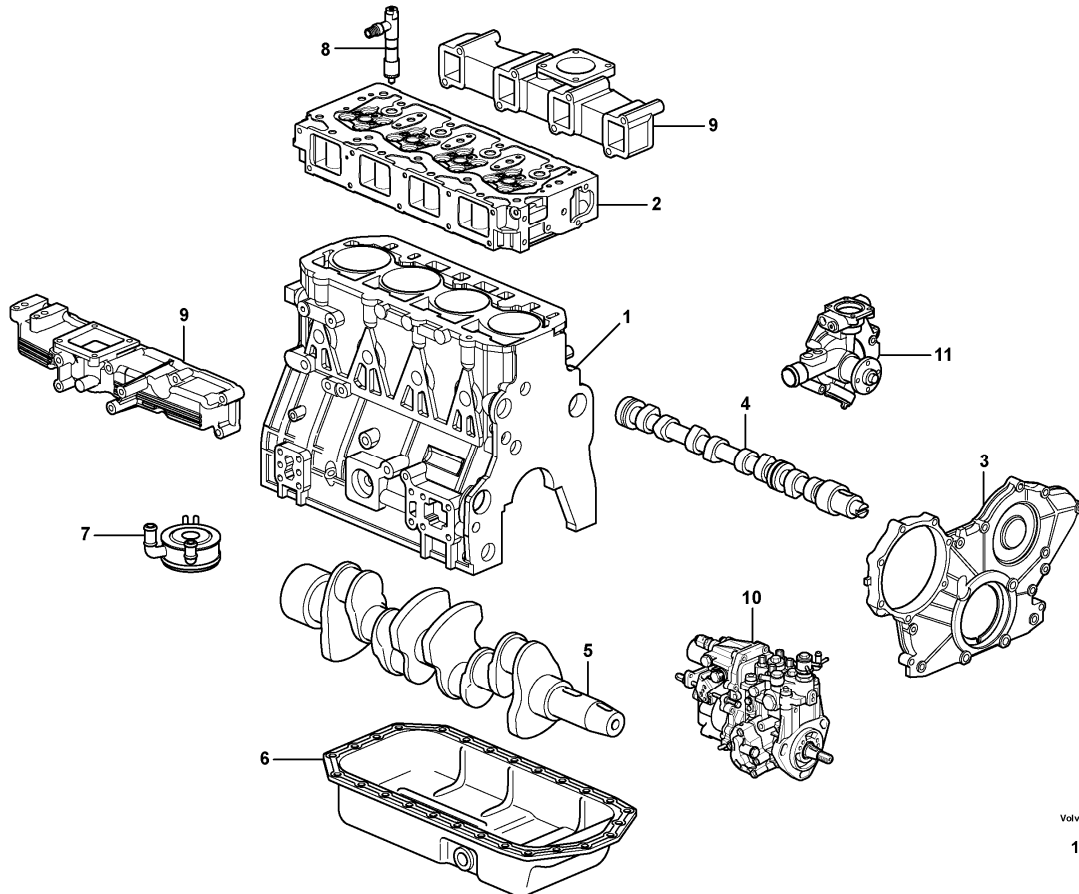
Section option	Kit	Option description
VOE11852930		Engine
VOE11858383		Engine TIER 3, US & EU MARKET

Q1-Q5	Option	Option description	
Q1 11858383	VOE11858383	Engine TIER 3, US & EU MARKET	

Pos	Part	Q1	Q2	Q3	Q4	Q5	PS	Kit	Description	Option(s)	Remark
	VOE11852930	1							Engine		
1		1							•Cylinder block		See ref 212/100
2		1							•Cylinder head		See ref 211/100
3		1							•Timing gear casing		See ref 215/100
4		1							•Camshaft		See ref 214/100
5		1							•Crankshaft		See ref 216/100
6		1							•Oil sump		See ref 217/100
7		1							•Oil cooler		See ref 220/100

8		4							•Injector		See ref 237/100
9		1							•Inlet, exhaust syst.		See ref 251/100
10		1							•Injection Pump		See ref 236/100
11		1							•Water Pump		See ref 262/100

Date: 2013/10/21	Image id: 1018250	Catalogue: 20164	Model: MC80B
Brand: Volvo	Serial: 71000-	Group/Section: 210/160	Title: Engine



Volvo Construction
Equipment
1018250

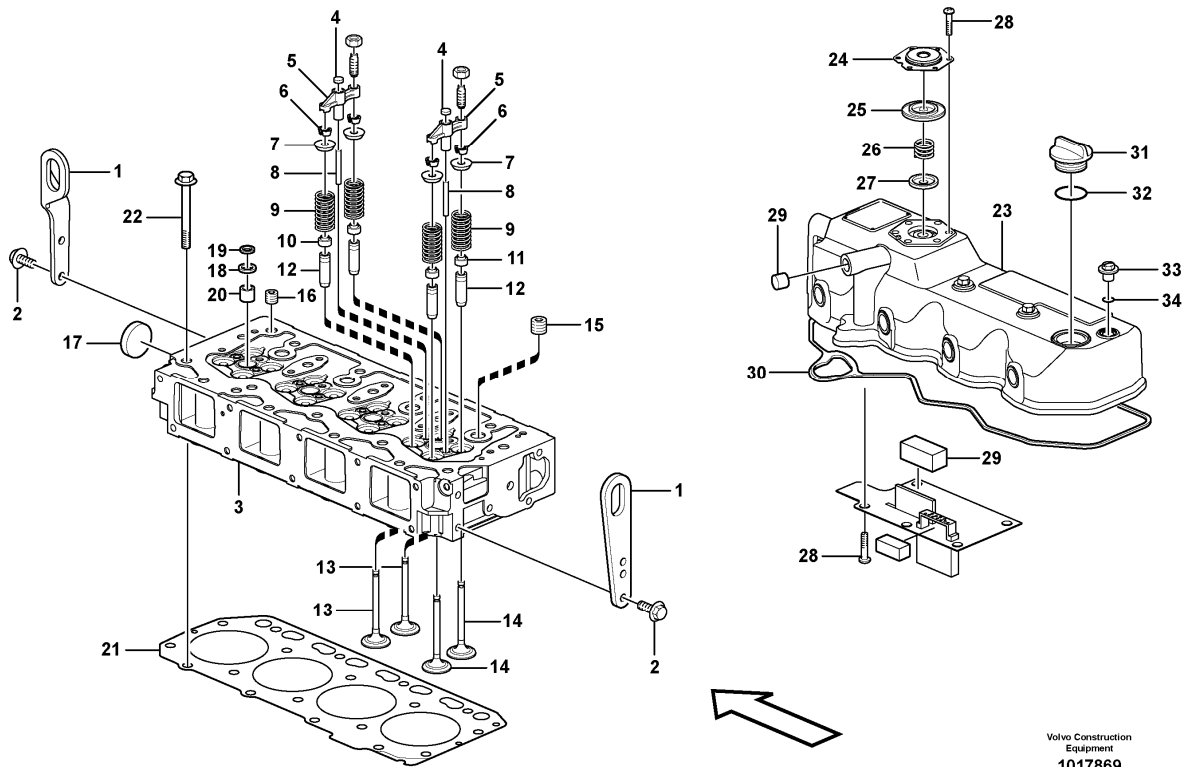
Section option	Kit	Option description
VOE11858379		Engine TIER 2A, INTERNATIONAL MARKET
VOE15635467		Engine TIER 2A, INTERNATIONAL MARKET

Q1-Q5	Option	Option description	
Q1 11858379	VOE11858379	Engine TIER 2A, INTERNATIONAL MARKET	

Pos	Part	Q1	Q2	Q3	Q4	Q5	PS	Kit	Description	Option(s)	Remark
	VOE11851336	1							Engine		
	VOE15628985	1							Engine		
1		1							•Cylinder block		See ref 212/110
2		1							•Cylinder head		See ref 211/110
3		1							•Timing gear casing		See ref 215/110
4		1							•Camshaft		See ref 214/110
5		1							•Crankshaft		See ref 216/110
6		1							•Oil sump		See ref 217/110

7		1							•Oil cooler		See ref 220/110
8		4							•Injector		See ref 237/110
9		1							•Inlet, exhaust syst.		See ref 251/110
10		1							•Injection Pump		See ref 236/110
11		1							•Water Pump		See ref 262/110

Date: 2013/10/21	Image id: 1017869	Catalogue: 20164	Model: MC80B
Brand: Volvo	Serial: 71000-	Group/Section: 211/100	Title: Cylinder head



Volvo Construction
Equipment
1017869

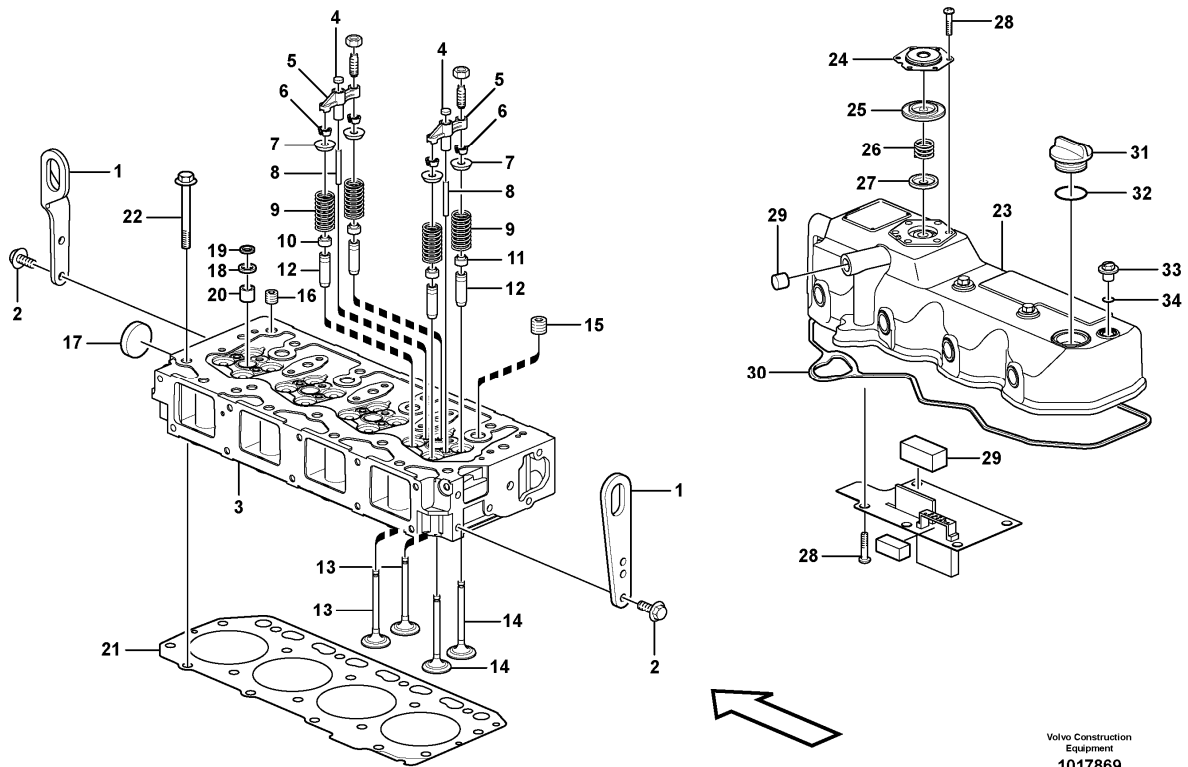
Section option	Kit	Option description
VOE11852930		Engine
VOE11858383		Engine TIER 3, US & EU MARKET

Q1-Q5	Option	Option description
Q1 11858383	VOE11858383	Engine TIER 3, US & EU MARKET

Pos	Part	Q1	Q2	Q3	Q4	Q5	PS	Kit	Description	Option(s)	Remark
1	VOE11714768	1							Lifting eye		FORW
1	VOE15102355	1							Lifting bracket		REAR
2	VOE11714372	4							Bolt		
3	VOE14521518	8							Seat		
4	VOE15065393	1							Cylinder head		
5	VOE14521529	8							•Valve guide		
6	VOE14521531	16							•Valve cone		
7	VOE14521526	16							•Retainer		

8	VOE14521521	8							•Guide		
9	VOE14521525	16							•Valve spring		
10	VOE15057732	8							•Valve seal		
11	VOE14521527	8							•Valve seal		
12	VOE14525388	16							•Valve guide		
13	VOE14521524	8							•Exhaust valve		
14	VOE14521523	8							•Inlet valve		
15	VOE14521504	4							•Plug		
16	VOE14521522	1							•Plug		
17	VOE11714379	1							•Plug		
18	VOE11714381	4							•Seat		
19	VOE11714386	4							•O-ring		
20	VOE14521532	4							•Protection		
21	VOE14528171	1					SS		Cylinder head gasket		
22	VOE11714759	18							Screw		
23	VOE15065401	1							Valve cover		
24	VOE14521550	1							•Plate		
25	VOE14521548	1							•Diaphragm		
26	VOE14521551	1							•Spring		
27	VOE14521549	1							•Plate		
28	VOE11714720	12							•Screw		
29	VOE14521553	1							•Plug		
30	VOE15057758	1							•Valve cover gasket		
31	VOE11714383	1							Cap		
32	VOE11714371	1							O-ring		
33	VOE11714385	4							Flange cap nut		
34	VOE11714386	4							O-ring		

Date: 2013/10/21	Image id: 1017869	Catalogue: 20164	Model: MC80B
Brand: Volvo	Serial: 71000-	Group/Section: 211/110	Title: Cylinder head



Volvo Construction
Equipment
1017869

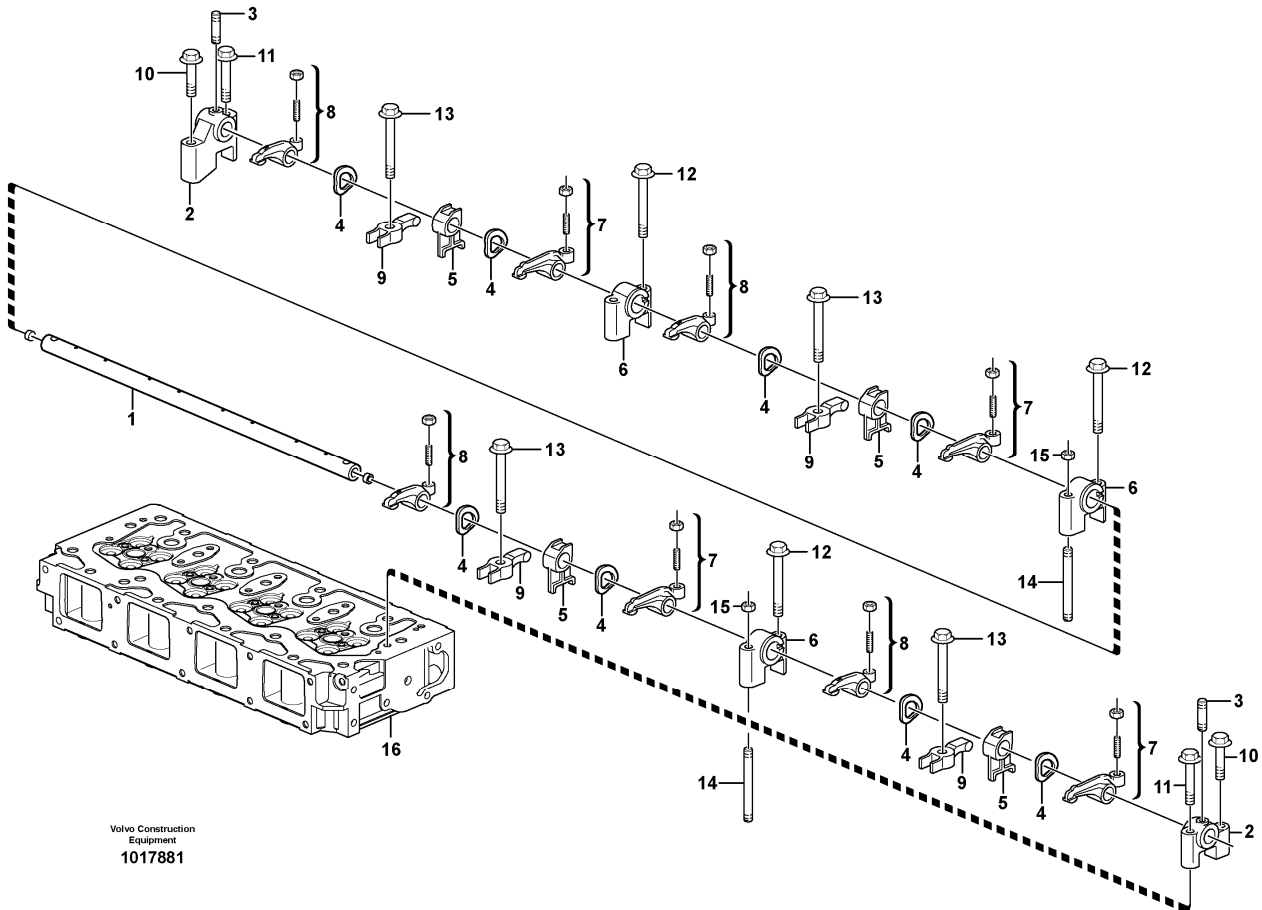
Section option	Kit	Option description
VOE11858379		Engine TIER 2A, INTERNATIONAL MARKET
VOE15635467		Engine TIER 2A, INTERNATIONAL MARKET

Q1-Q5	Option	Option description
Q1 11858379	VOE11858379	Engine TIER 2A, INTERNATIONAL MARKET

Pos	Part	Q1	Q2	Q3	Q4	Q5	PS	Kit	Description	Option(s)	Remark
1	VOE11714768	1							Lifting eye		FORW
1	VOE11714773	1							Lifting eye		REAR
2	VOE11714372	4							Bolt		
3	VOE14521519	1							Cylinder head		
4	VOE14521518	8							Seat		
5	VOE14521529	8							•Valve guide		
6	VOE14521531	16							•Valve cone		
7	VOE14521526	16							•Retainer		

8	VOE14521521	8							•Guide		
9	VOE14521525	16							•Valve spring		
10	VOE14521528	8							•Valve seal		
11	VOE14521527	8							•Valve seal		
12	VOE14525388	16							•Valve guide		
13	VOE14521524	8							•Exhaust valve		
14	VOE14521523	8							•Inlet valve		
15	VOE14521504	4							•Plug		
16	VOE14521522	1							•Plug		
17	VOE11714379	1							•Plug		
18	VOE11714381	4							•Seat		
19	VOE11714386	4							•O-ring		
20	VOE14521532	4							•Protection		
21	VOE14528171	1					SS		Cylinder head gasket		
22	VOE11714759	18							Screw		
23	VOE11714958	1					SS		Valve cover		
24	VOE14521550	1							•Plate		
25	VOE14521548	1							•Diaphragm		
26	VOE14521551	1							•Spring		
27	VOE14521549	1							•Plate		
28	VOE11714720	12							•Screw		
29	VOE14521553	1							•Plug		
30	VOE14521552	1							•Gasket		
31	VOE11714383	1							Cap		
32	VOE11714371	1							O-ring		
33	VOE11714385	4							Flange cap nut		
34	VOE11714386	4							O-ring		

Date: 2013/10/21	Image id: 1017881	Catalogue: 20164	Model: MC80B
Brand: Volvo	Serial: 71000-	Group/Section: 211/160	Title: Valve mechanism



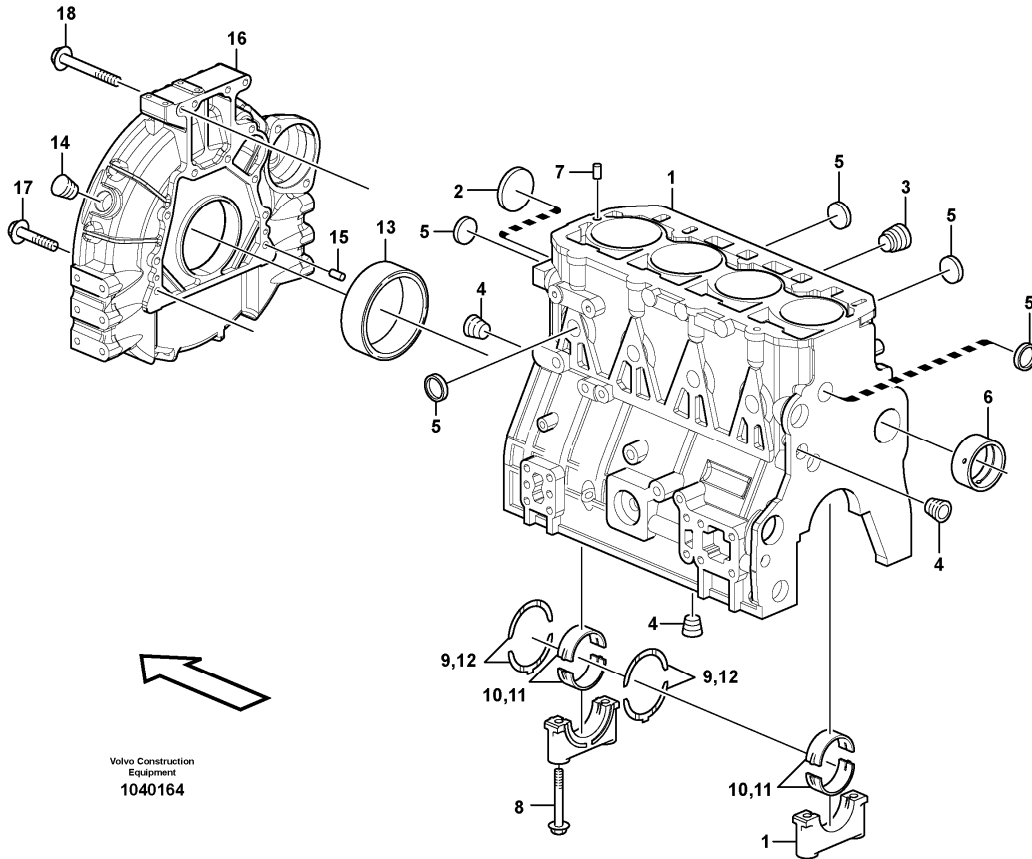
Section option	Kit	Option description
VOE11858379		Engine TIER 2A, INTERNATIONAL MARKET
VOE11858383		Engine TIER 3, US & EU MARKET
VOE15635467		Engine TIER 2A, INTERNATIONAL MARKET

Q1-Q5	Option	Option description	
Q1 11858383 11858379	VOE11858383	Engine TIER 3, US & EU MARKET	

Pos	Part	Q1	Q2	Q3	Q4	Q5	PS	Kit	Description	Option(s)	Remark
	VOE14525390	1							Valve		
1	VOE14521535	1							•Rocker arm		
2	VOE14521537	2							•Support		
3	VOE14521542	2							•Bolt		
4	VOE14521538	8							•Spring washer		
5	VOE14525391	4							•Retainer		

6	VOE14521536	3							•Support		
7	VOE14521539	4							•Rocker arm		
8	VOE14521540	4							•Rocker arm		
9	VOE14525392	4							Retainer		
10	VOE11714487	2							Bolt		
11	VOE11714494	2							Bolt		
12	VOE11714494	4							Bolt		
13	VOE14525393	4							Flange screw		
14	VOE14525389	2							Bolt		
15	VOE14521543	2							Nut		
16		1							Cylinder head		See ref 211/110

Date: 2013/10/21	Image id: 1040164	Catalogue: 20164	Model: MC80B
Brand: Volvo	Serial: 71000-	Group/Section: 212/100	Title: Cylinder block



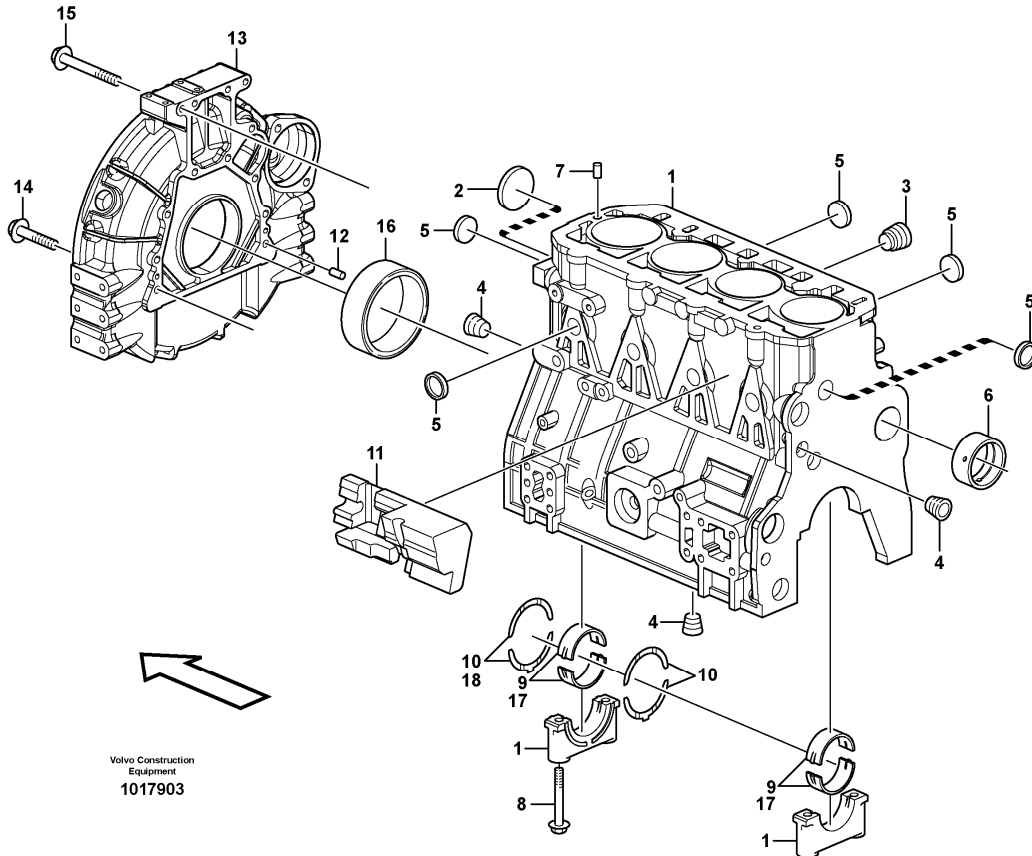
Section option	Kit	Option description
VOE11852930		Engine
VOE11858383		Engine TIER 3, US & EU MARKET

Q1-Q5	Option	Option description	
Q1 11858383	VOE11858383	Engine TIER 3, US & EU MARKET	

Pos	Part	Q1	Q2	Q3	Q4	Q5	PS	Kit	Description	Option(s)	Remark
1	VOE15065328	1							Cylinder block		
2	VOE14521503	1							•Plug		
3	VOE11713560	1							•Plug		
4	VOE14521504	3							•Plug		
5	VOE11714369	8							•Plug		
6	VOE11714757	1							•Bushing		
7	VOE11714387	2							•Spring pin		
8	VOE11714756	10							•Screw		

9	VOE15057699	5							•Thrust washer		STD SZ
10	VOE15057722	5							Main bearing kit		
11	VOE15057730	5							Main bearing kit		US = 0.25 MM
12	VOE15057718	2							Thrust washer		OS = 0.25 MM
13	VOE14514458	1							Seal		
14	VOE11713372	1							Cap		
15	VOE11714376	2							Pin		
16	VOE11714762	1							Flywheel housing		
17	VOE11714763	9							Screw		
18	VOE11714764	4							Screw		

Date: 2013/10/21	Image id: 1017903	Catalogue: 20164	Model: MC80B
Brand: Volvo	Serial: 71000-	Group/Section: 212/110	Title: Cylinder block



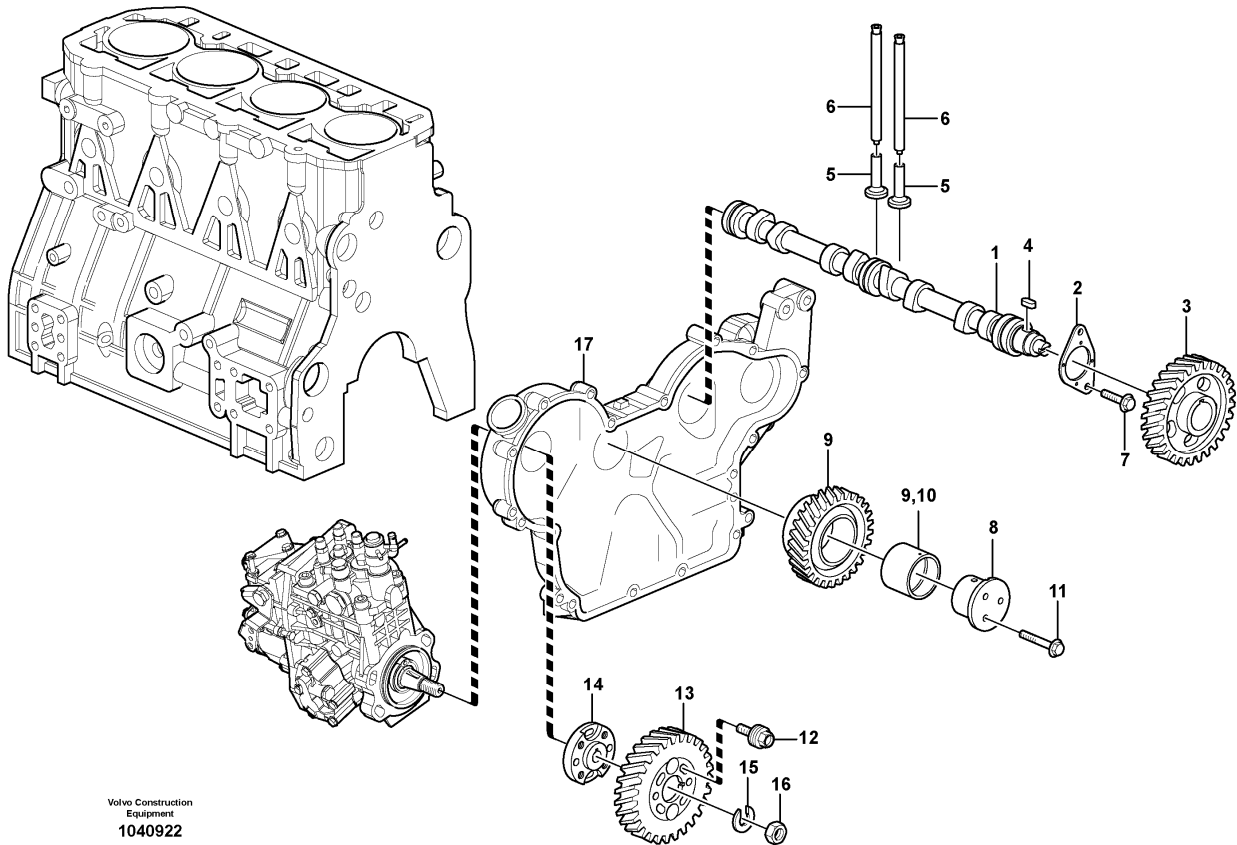
Section option	Kit	Option description
VOE11858379		Engine TIER 2A, INTERNATIONAL MARKET
VOE15635467		Engine TIER 2A, INTERNATIONAL MARKET

Q1-Q5	Option	Option description	
Q1 11858379	VOE11858379	Engine TIER 2A, INTERNATIONAL MARKET	

Pos	Part	Q1	Q2	Q3	Q4	Q5	PS	Kit	Description	Option(s)	Remark
1	VOE11714726	1							Cylinder block		
2	VOE14521503	1							•Plug		
3	VOE11713560	1							•Plug		
4	VOE14521504	3							•Plug		
5	VOE11714369	8							•Plug		
6	VOE11714757	1							•Bushing		
7	VOE11714387	2							•Spring pin		
8	VOE11714756	10							•Screw		

9	VOE15057722	5							•Main bearing kit		(VOE14524620)STD SZ
10	VOE15057699	2							•Thrust washer		(VOE11714758)STD SZ
11	VOE14521506	1							Spacer		
12	VOE11714376	2							Pin		
13	VOE11714762	1							Flywheel housing		
14	VOE11714763	9							Screw		
15	VOE11714764	4							Screw		
16	VOE11714765	1							Crankshaft seal		
17	VOE11714760	5							Main bearing		0,25 MM O SZ
18	VOE11714761	2							Thrust washer		0,25 MM O SZ

Date: 2013/10/21	Image id: 1040922	Catalogue: 20164	Model: MC80B
Brand: Volvo	Serial: 71000-	Group/Section: 214/100	Title: Valve mechanism

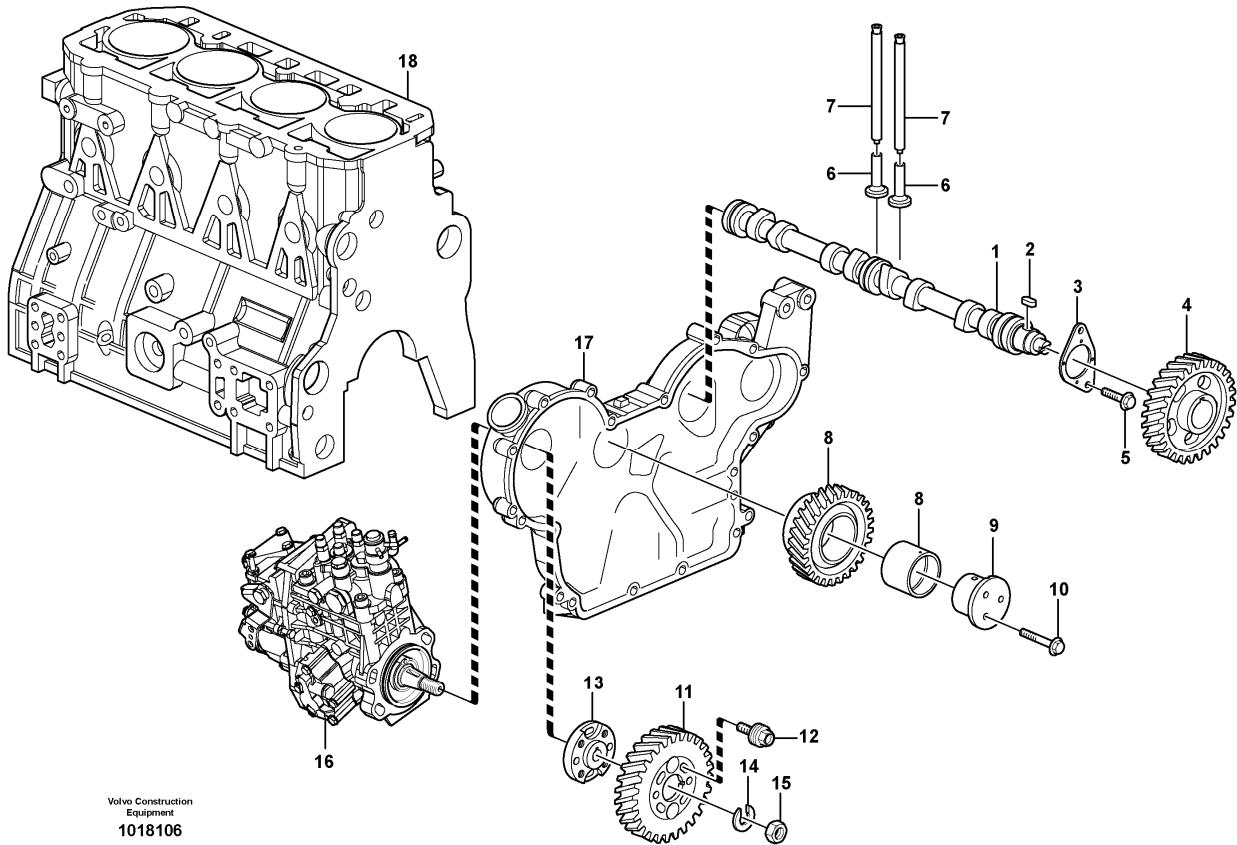


Section option	Kit	Option description
VOE11852930		Engine
VOE11858383		Engine TIER 3, US & EU MARKET

Q1-Q5	Option	Option description	
Q1 11858383	VOE11858383	Engine TIER 3, US & EU MARKET	

Pos	Part	Q1	Q2	Q3	Q4	Q5	PS	Kit	Description	Option(s)	Remark
1	VOE11714784	1							Camshaft		
2		1					NS		•Thrust Washer		
3		1					NS		•Camshaft Gear		
4		1					NS		•Key		
5	VOE11714485	8							Tappet		
6	VOE14521559	8							Push rod		
7	VOE11714372	2							Bolt		
8	VOE14521561	1							Shaft		

Date: 2013/10/21	Image id: 1018106	Catalogue: 20164	Model: MC80B
Brand: Volvo	Serial: 71000-	Group/Section: 214/110	Title: Valve mechanism



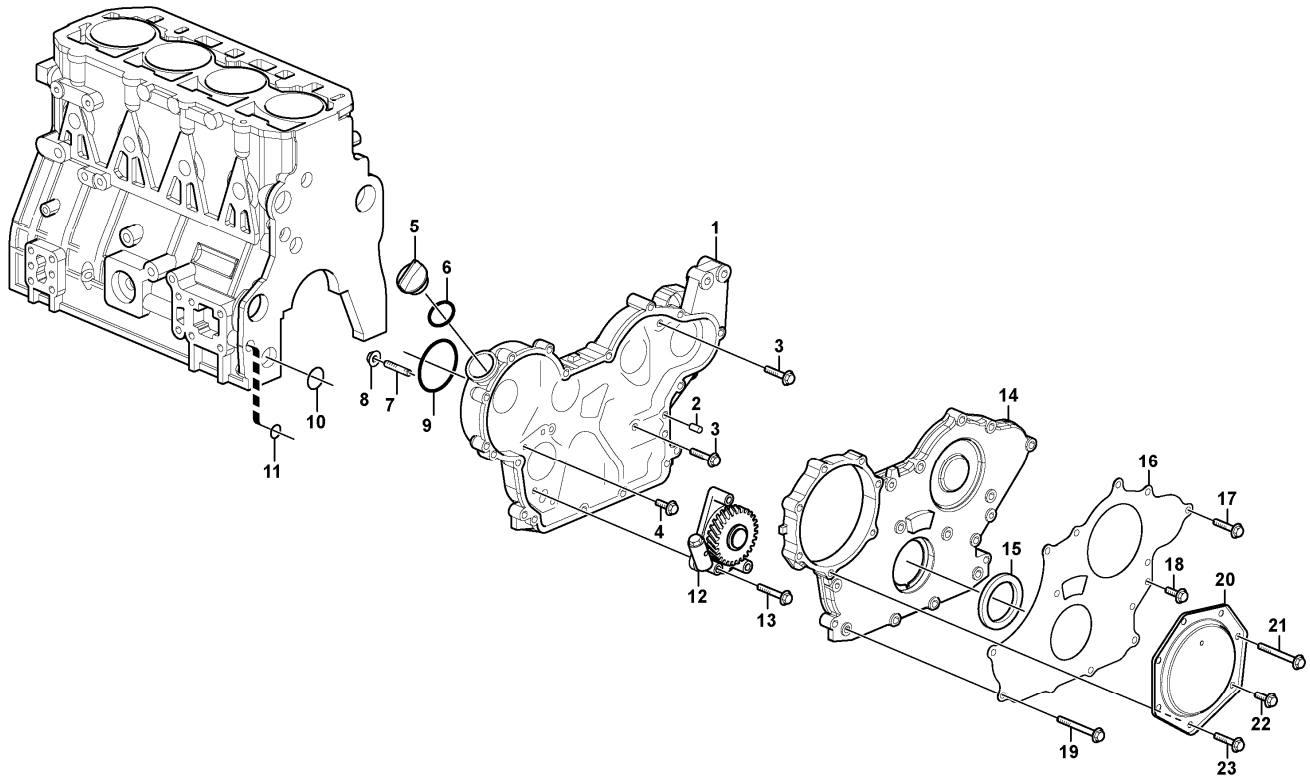
Section option	Kit	Option description
VOE11858379		Engine TIER 2A, INTERNATIONAL MARKET
VOE15635467		Engine TIER 2A, INTERNATIONAL MARKET

Q1-Q5	Option	Option description	
Q1 11858379	VOE11858379	Engine TIER 2A, INTERNATIONAL MARKET	

Pos	Part	Q1	Q2	Q3	Q4	Q5	PS	Kit	Description	Option(s)	Remark
1	VOE14521560	1							Camshaft		
2		1					NS		•Key		
3		1					NS		•Thrust Washer		
4		1					NS		•Camshaft Gear		
5	VOE11714372	2							Bolt		
6	VOE11714485	8							Tappet		
7	VOE14521559	8							Push rod		
8	VOE11714785	1							Gear		

9	VOE14521561	1							Shaft		
10	VOE11714373	3							Bolt		
11	VOE11714787	1							Gear		
12	VOE14521562	4							Bolt		
13	VOE14525395	1							Flange		
14	VOE11714788	1							Spring washer		
15	VOE11714789	1							Nut		
16									Injection Pump		See ref 236/110
17		1							Timing gear casing		See ref 215/110
18		1							Cylinder Block		See ref 212/110

Date: 2013/10/21	Image id: 1040287	Catalogue: 20164	Model: MC80B
Brand: Volvo	Serial: 71000-	Group/Section: 215/100	Title: Timing gear casing and gears



Volvo Construction
Equipment
1040287

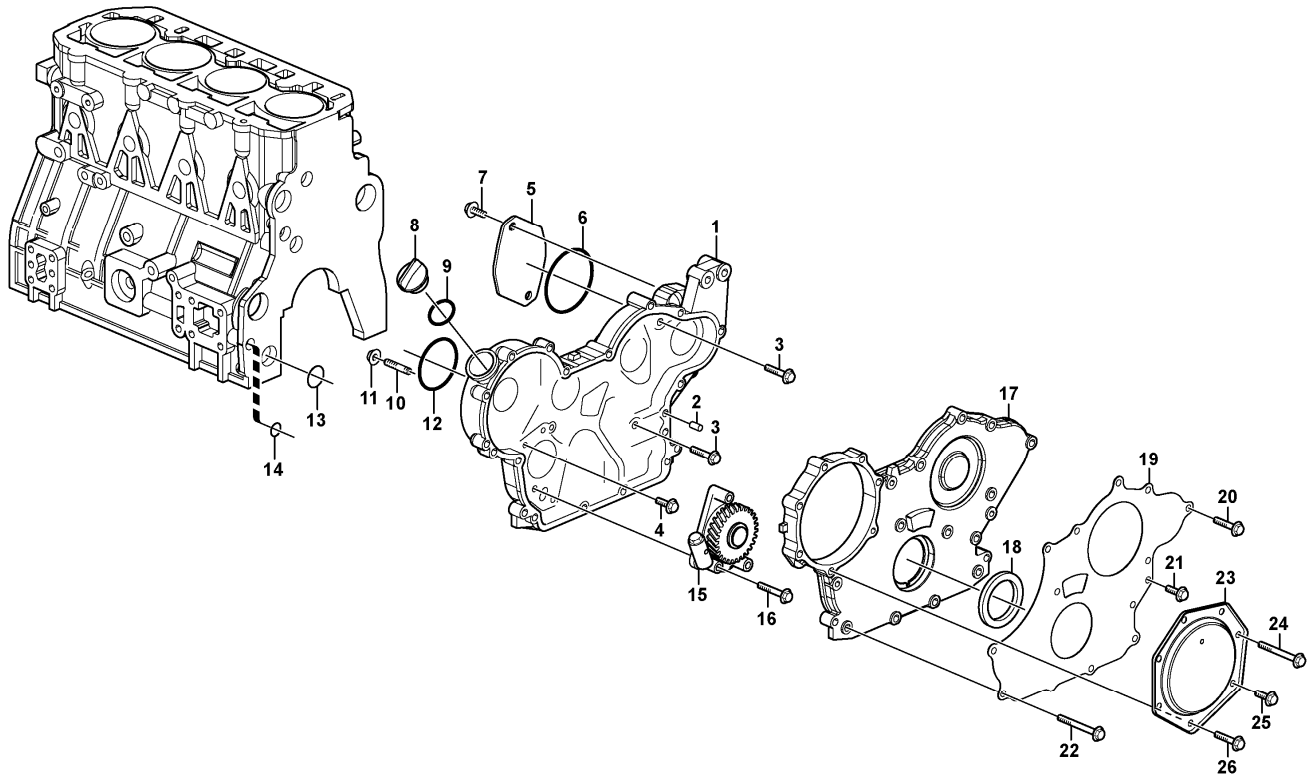
Section option	Kit	Option description
VOE11852930		Engine
VOE11858383		Engine TIER 3, US & EU MARKET

Q1-Q5	Option	Option description
Q1 11858383	VOE11858383	Engine TIER 3, US & EU MARKET

Pos	Part	Q1	Q2	Q3	Q4	Q5	PS	Kit	Description	Option(s)	Remark
1	VOE15102353	1							Housing		
2	VOE11714376	4							Pin		
3	VOE11714388	3							Bolt		
4	VOE11714372	1							Bolt		
5	VOE11714383	1							Cap		
6	VOE11714371	1							O-ring		
7	VOE11714749	4							Stud		
8	VOE14521513	4							Nut		

9	VOE14521512	1							Wrapping		
10	VOE11714738	1							O-ring		
11	VOE11714739	1							O-ring		
12	VOE14525387	1							Pump		
13	VOE11714377	3							Bolt		
14	VOE14521507	1							Housing		
15	VOE14514867	1							•Sealing		
16	VOE14521515	1							Cover		
17	VOE11714388	5							Bolt		
18	VOE11714372	3							Bolt		
19	VOE14521510	6							Bolt		
20	VOE11714746	1							Cover		
21	VOE14521510	1							Bolt		
22	VOE11714372	1							Bolt		
23	VOE11714388	5							Bolt		

Date: 2013/10/21	Image id: 1018111	Catalogue: 20164	Model: MC80B
Brand: Volvo	Serial: 71000-	Group/Section: 215/110	Title: Timing gear casing and gears



Volvo Construction
Equipment
1018111

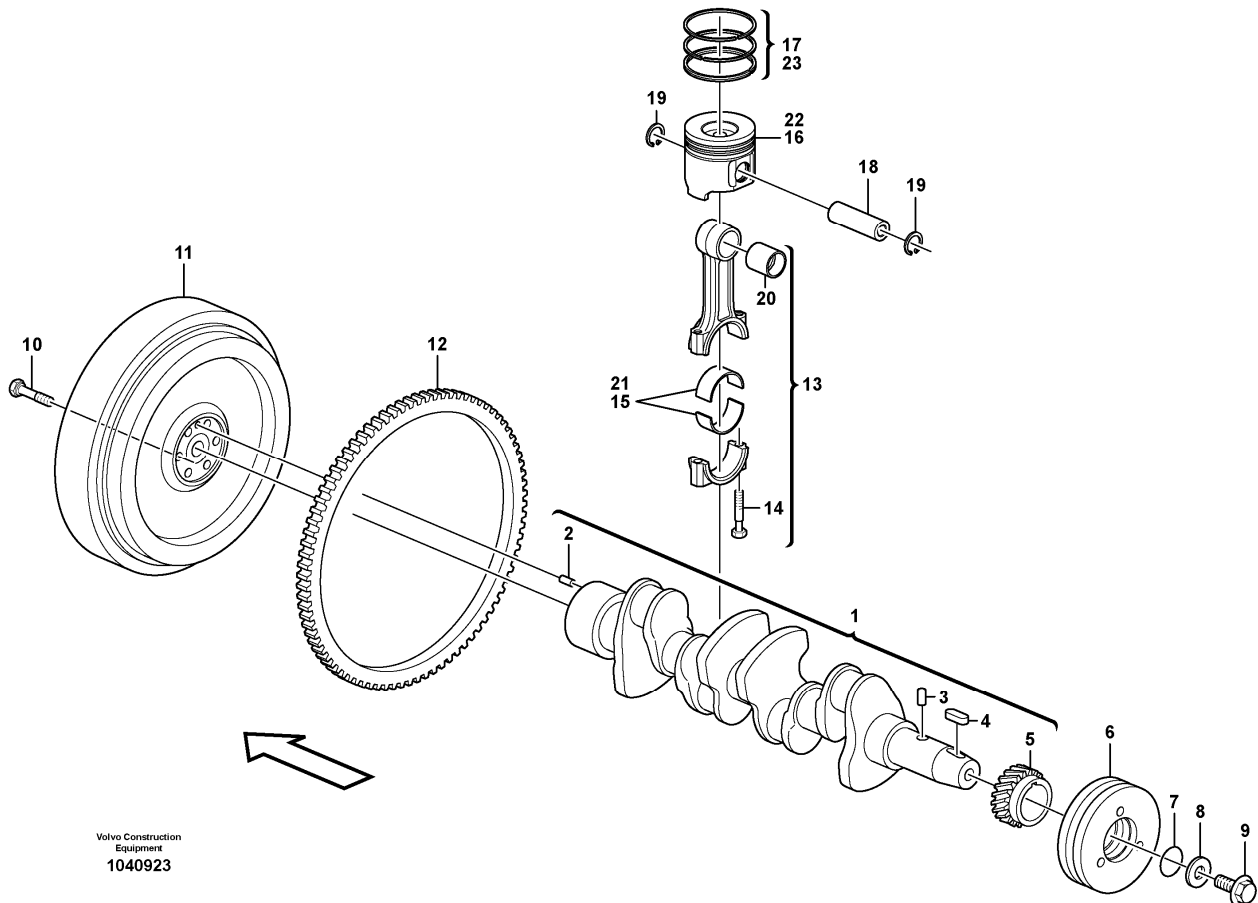
Section option	Kit	Option description
VOE11858379		Engine TIER 2A, INTERNATIONAL MARKET
VOE15635467		Engine TIER 2A, INTERNATIONAL MARKET

Q1-Q5	Option	Option description	
Q1 11858379	VOE11858379	Engine TIER 2A, INTERNATIONAL MARKET	

Pos	Part	Q1	Q2	Q3	Q4	Q5	PS	Kit	Description	Option(s)	Remark
1	VOE11714748	1							Casing		
2	VOE11714376	4							Pin		
3	VOE11714388	3							Bolt		
4	VOE11714372	1							Bolt		
5	VOE11714754	1							Cover		
6	VOE11714346	1							O-ring		
7	VOE11714755	2							Screw		
8	VOE11714383	1							Cap		

9	VOE11714371	1							O-ring		
10	VOE11714749	4							Stud		
11	VOE14521513	4							Nut		
12	VOE14521512	1							Wrapping		
13	VOE11714738	1							O-ring		
14	VOE11714739	1							O-ring		
15	VOE14525387	1							Pump		
16	VOE11714377	3							Bolt		
17	VOE11714751	1							Timing gear casing		
18	VOE11714745	1							•Sealing		
19	VOE14521515	1							Cover		
20	VOE11714487	5							Bolt		
21	VOE11714372	3							Bolt		
22	VOE14521510	6							Bolt		
23	VOE11714746	1							Cover		
24	VOE14521510	1							Bolt		
25	VOE11714372	1							Bolt		
26	VOE11714487	5							Bolt		

Date: 2013/10/21	Image id: 1040923	Catalogue: 20164	Model: MC80B
Brand: Volvo	Serial: 71000-	Group/Section: 216/100	Title: Crankshaft and related parts



Volvo Construction
Equipment
1040923

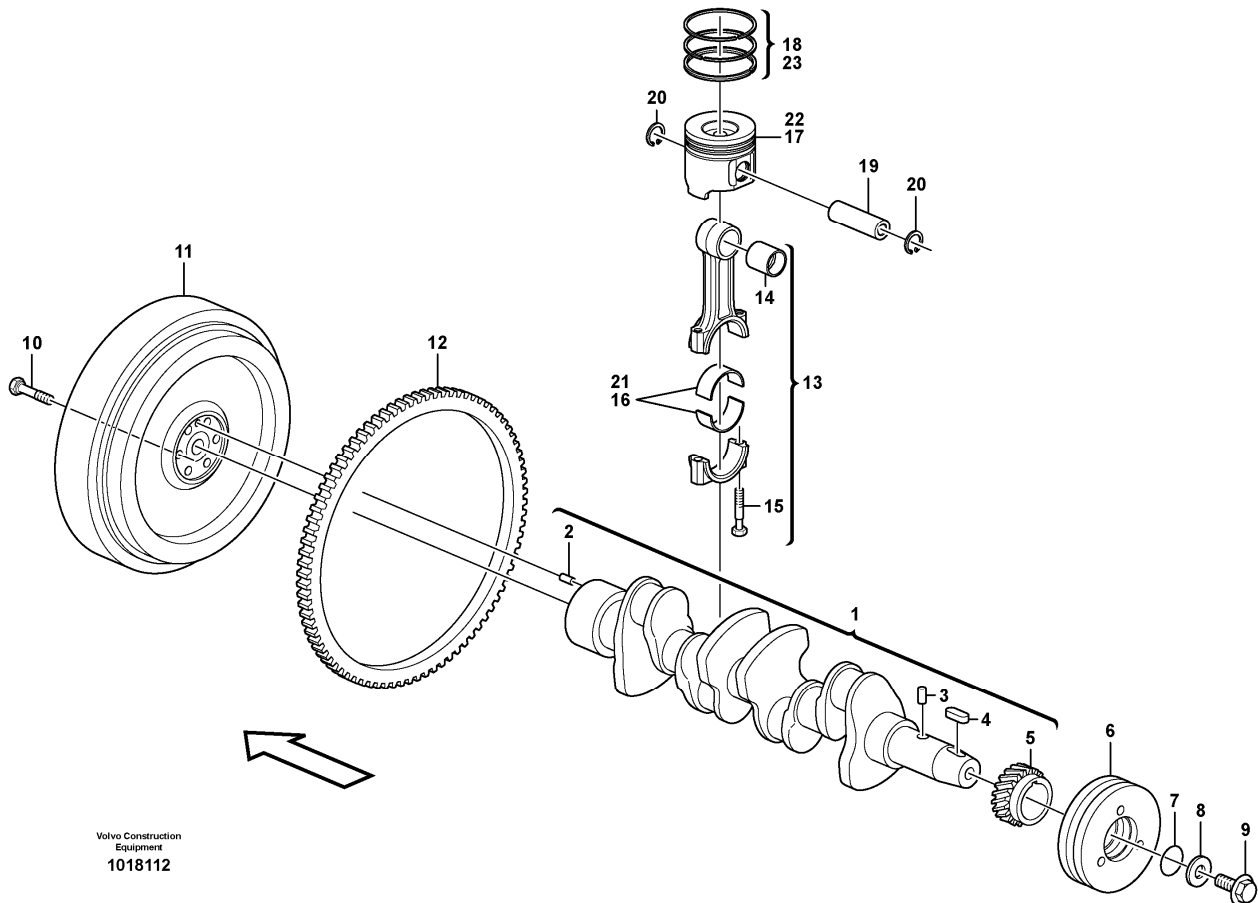
Section option	Kit	Option description
VOE11852930		Engine
VOE11858383		Engine TIER 3, US & EU MARKET

Q1-Q5	Option	Option description
Q1 11858383	VOE11858383	Engine TIER 3, US & EU MARKET

Pos	Part	Q1	Q2	Q3	Q4	Q5	PS	Kit	Description	Option(s)	Remark
1	VOE14521564	1							Crankshaft		
2	VOE11714792	1							•Guide pin		
3	VOE11714791	1							•Guide pin		
4	VOE11714468	1							•Key		
5	VOE11714790	1							•Crankshaft gear		
6	VOE14517628	1							Pulley		
7	VOE14509382	1							O-ring		
8	VOE14509381	1							Washer		

9	VOE14517969	1							Bolt		
10	VOE11714793	6							Screw		
11	VOE11714794	1							Flywheel		
12	VOE11714795	1							•Gear ring		
13	VOE11714799	4							Connecting rod		
14	VOE11714801	8							•Screw		
15	VOE15057777	4							•Big-end bearing kit		
16	VOE15065402	4							Piston		
17	VOE15065408	4							•Piston ring kit		
18	VOE11714797	4							Gudgeon pin		
19	VOE11714798	8							Lock ring		
20	VOE11714800	4							Bushing		
21	VOE15057790	4							Big-end bearing kit		US = 0,25 MM
22	VOE15065410	4							Piston		OS = 0,25 MM
23	VOE15065414	4							Piston ring kit		OS = 0,25 MM

Date: 2013/10/21	Image id: 1018112	Catalogue: 20164	Model: MC80B
Brand: Volvo	Serial: 71000-	Group/Section: 216/110	Title: Crankshaft and related parts



Volvo Construction
Equipment
1018112

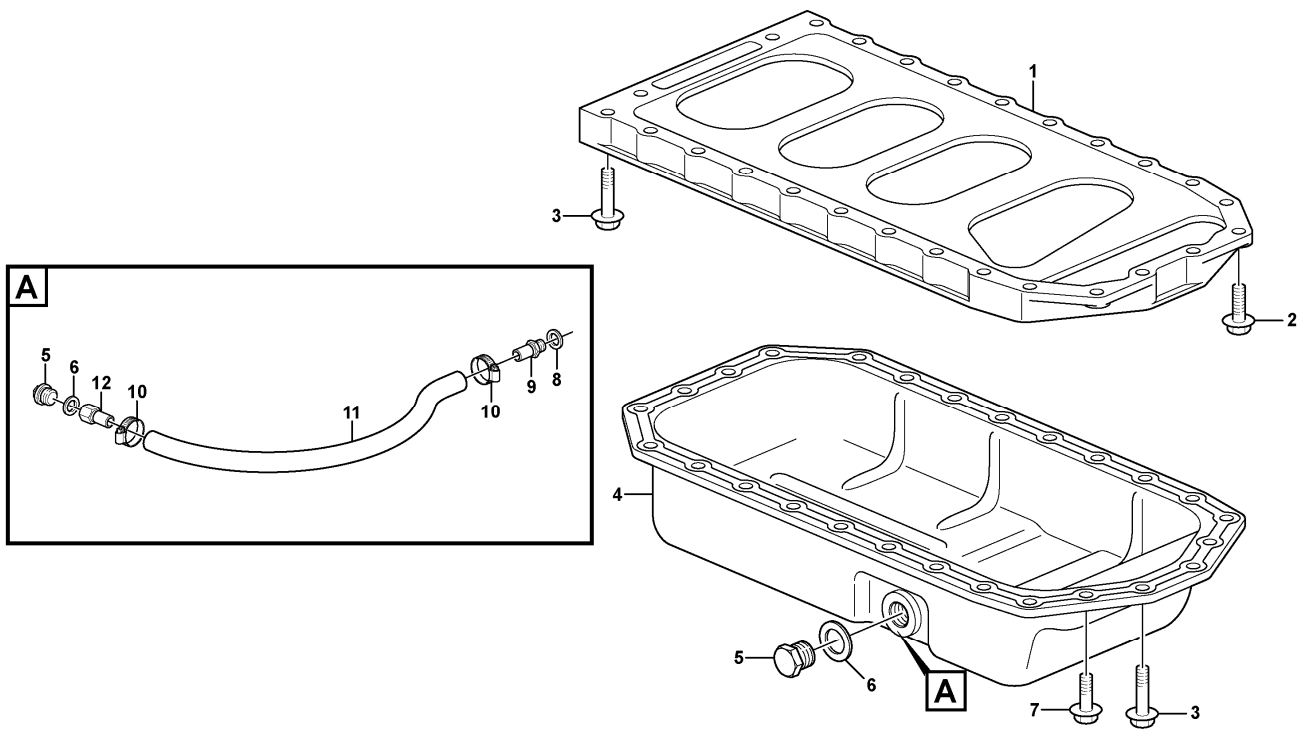
Section option	Kit	Option description
VOE11858379		Engine TIER 2A, INTERNATIONAL MARKET
VOE15635467		Engine TIER 2A, INTERNATIONAL MARKET

Q1-Q5	Option	Option description
Q1 11858379	VOE11858379	Engine TIER 2A, INTERNATIONAL MARKET

Pos	Part	Q1	Q2	Q3	Q4	Q5	PS	Kit	Description	Option(s)	Remark
1	VOE14521564	1							Crankshaft		
2	VOE11714792	1							•Guide pin		
3	VOE11714791	1							•Guide pin		
4	VOE11714468	1							•Key		
5	VOE11714790	1							•Crankshaft gear		
6	VOE11714805	1							Pulley		
7	VOE14509382	1							O-ring		
8	VOE14509381	1							Washer		

9	VOE11713690	1							Bolt		
10	VOE11714793	6							Screw		
11	VOE11714794	1							Flywheel		
12	VOE11714795	1							•Gear ring		
13	VOE11714799	4							Connecting rod		
14	VOE11714800	4							•Bushing		
15	VOE11714801	8							•Screw		
16	VOE11714802	4							•Piston Bearing		STD SZ
17	VOE11714806	4							•Piston		STD SZ
18	VOE11714796	4							•Piston ring kit		STD SZ
19	VOE11714797	4							Gudgeon pin		
20	VOE11714798	8							Lock ring		
21	VOE11714803	4							Piston Bearing		0,25 mm O SZ
22	VOE11714807	4							Piston		0,25 MM O SZ
23	VOE11714804	4							Piston		0,25 MM O SZ

Date: 2013/10/21	Image id: 1015846	Catalogue: 20164	Model: MC80B
Brand: Volvo	Serial: 71000-	Group/Section: 217/100	Title: Oil sump



Volvo Construction
Equipment
1015846

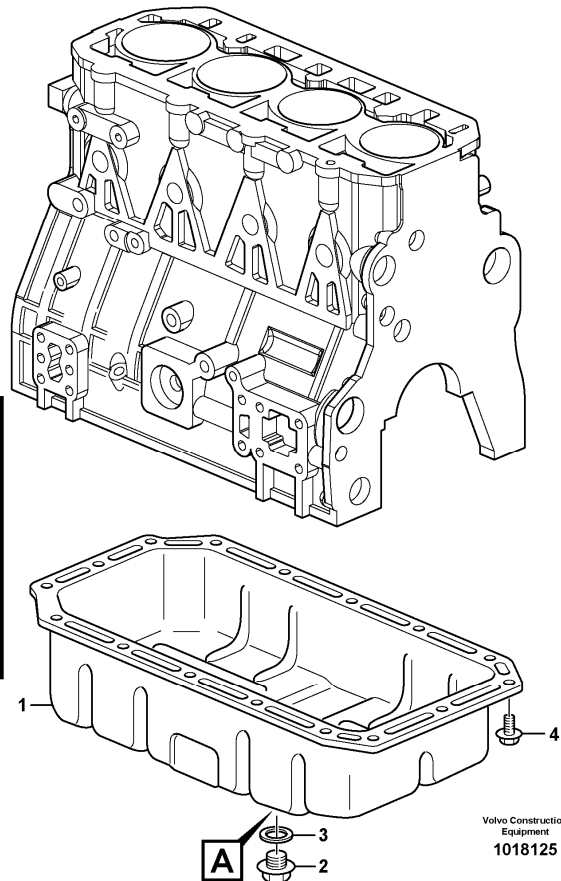
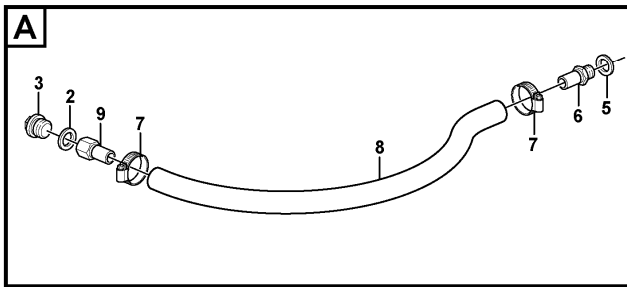
Section option	Kit	Option description
VOE11840379		Oil drain cplt. kit
VOE11852930		Engine
VOE11858383		Engine TIER 3, US & EU MARKET

Q1-Q5	Option	Option description	
Q1 11858383	VOE11858383	Engine TIER 3, US & EU MARKET	
Q2 11840379	VOE11840379	Oil drain cplt. kit	

Pos	Part	Q1	Q2	Q3	Q4	Q5	PS	Kit	Description	Option(s)	Remark
1	VOE11714766	1							Oil pan		
2	VOE11713638	1	1						•Drain plug		
3	VOE11713639	1	1						•Sealing		
4	VOE11714490	16							Bolt		
5	VOE948885		1						Plane gasket		
6	VOE948931		1						Nipple		

7	VOE943475		2						Hose clamp		
8	VOE13961193		REQ						Hydraulic hose		L = 500 MM
9	VOE11852124		1						Nipple		

Date: 2013/10/21	Image id: 1018125	Catalogue: 20164	Model: MC80B
Brand: Volvo	Serial: 71000-	Group/Section: 217/110	Title: Oil sump



Volvo Construction
Equipment
1018125

Section option	Kit	Option description
VOE11840379		Oil drain cplt. kit
VOE11858379		Engine TIER 2A, INTERNATIONAL MARKET
VOE15635467		Engine TIER 2A, INTERNATIONAL MARKET

Q1-Q5	Option	Option description	
Q1 11858379	VOE11858379	Engine TIER 2A, INTERNATIONAL MARKET	
Q2 11840379	VOE11840379	Oil drain cplt. kit	

Pos	Part	Q1	Q2	Q3	Q4	Q5	PS	Kit	Description	Option(s)	Remark
1	VOE11714766	1							Oil pan		
2	VOE11713638	1	1						•Drain plug		
3	VOE11713639	1	1						•Sealing		
4	VOE11714490	16							Bolt		
5	VOE948885		1						Plane gasket		
6	VOE948931		1						Nipple		



Suggest:

For more complete manuals. Please go to the home page.

<https://www.ebooklibonline.com>

If the above button click is invalid. Please download this document first, and then click the above link to download the complete manual.

Thank you so much for reading

7	VOE943475		2						Hose clamp		
8	VOE13961193		REQ						Hydraulic hose		L = 500 MM
9	VOE11852124		1						Nipple		

<https://www.ebooklibonline.com>

Hello dear friend!

Thank you very much for reading.

Enter the link into your browser.

The full manual is available for immediate download.

<https://www.ebooklibonline.com>