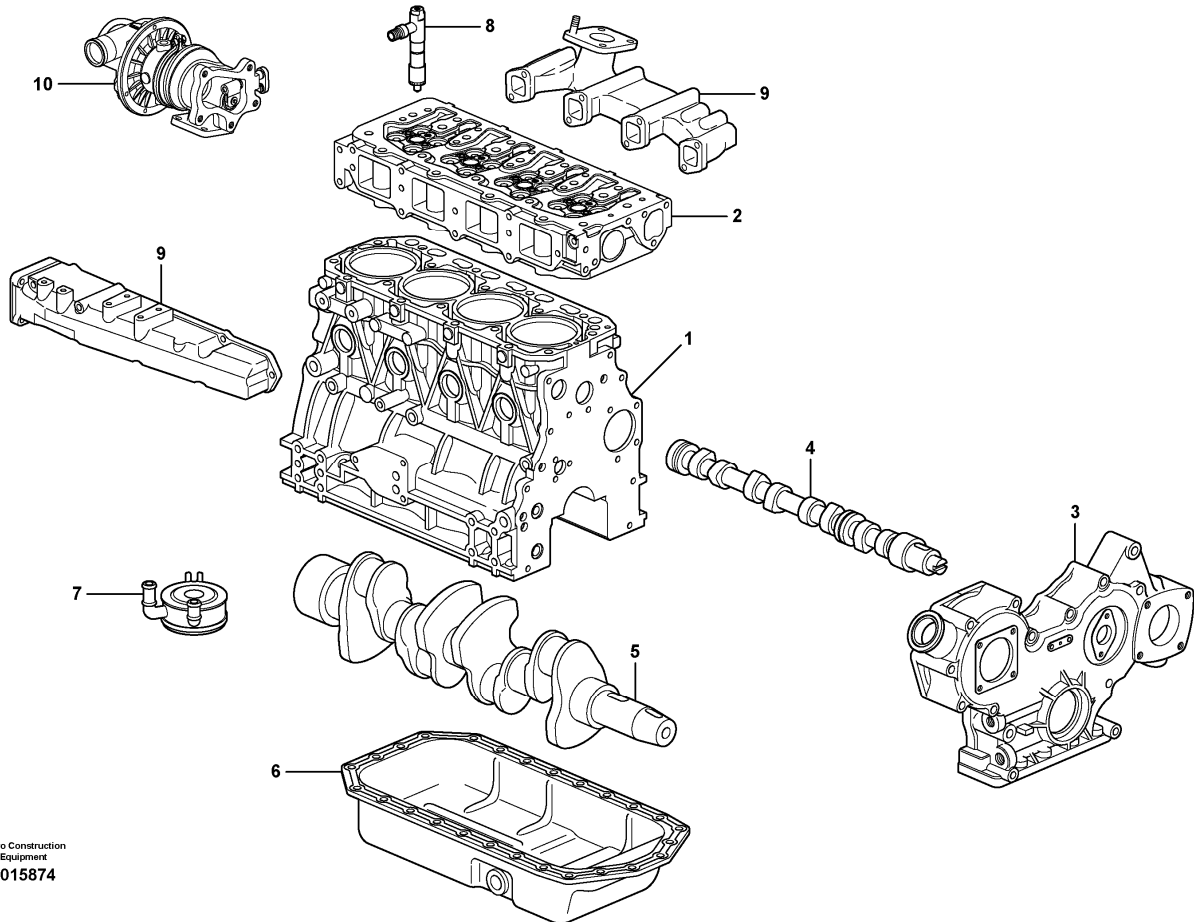


Date: 2013/10/20	Image id: 1015874	Catalogue: 20163	Model: MC70B
Brand: Volvo	Serial: 71000-	Group/Section: 210/150	Title: Engine



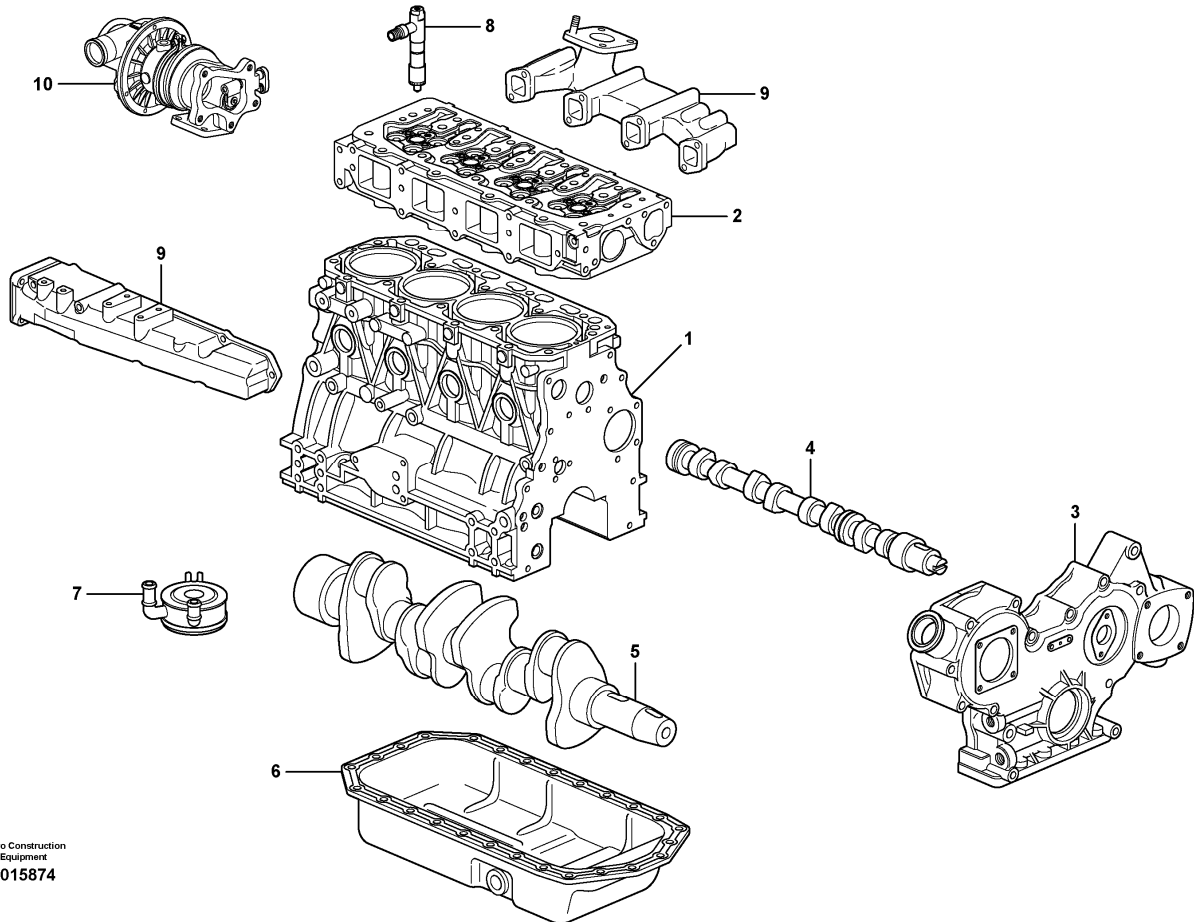
Section option	Kit	Option description
VOE11852929		Engine
VOE11858382		Engine TIER 3, US & EU MARKET

Q1-Q5	Option	Option description	
Q1 11858382	VOE11858382	Engine TIER 3, US & EU MARKET	

Pos	Part	Q1	Q2	Q3	Q4	Q5	PS	Kit	Description	Option(s)	Remark
	VOE11852929	1							Engine		
1		1							•Cylinder block		See ref 212/100
2		1							•Cylinder head		See ref 211/100
3		1							•Timing gear casing		See ref 215/100
4		1							•Camshaft		See ref 214/100
5		1							•Crankshaft		See ref 216/100
6		1							•Oil sump		See ref 217/100
7		1							•Oil cooler		See ref 220/100

8		1							•Injector		See ref 237/100
9		1							•Inlet, exhaust syst.		See ref 251/100
10		1							•Turbocharger		See ref 255/100

Date: 2013/10/20	Image id: 1015874	Catalogue: 20163	Model: MC70B
Brand: Volvo	Serial: 71000-	Group/Section: 210/160	Title: Engine



Section option	Kit	Option description
VOE11858378		Engine TIER 2A, INTERNATIONAL MARKET
VOE15635469		Engine TIER 2A, INTERNATIONAL MARKET

Q1-Q5	Option	Option description	
Q1 11858378	VOE11858378	Engine TIER 2A, INTERNATIONAL MARKET	

Pos	Part	Q1	Q2	Q3	Q4	Q5	PS	Kit	Description	Option(s)	Remark
	VOE15635469	1							Engine		
1		1							•Cylinder block		See ref 212/110
2		1							•Cylinder head		See ref 211/110
3		1							•Timing gear casing		See ref 215/110
4		1							•Camshaft		See ref 214/110
5		1							•Crankshaft		See ref 216/110
6		1							•Oil sump		See ref 217/110
7		1							•Oil cooler		See ref 220/110

<https://www.ebooklibonline.com>

Hello dear friend!

Thank you very much for reading.

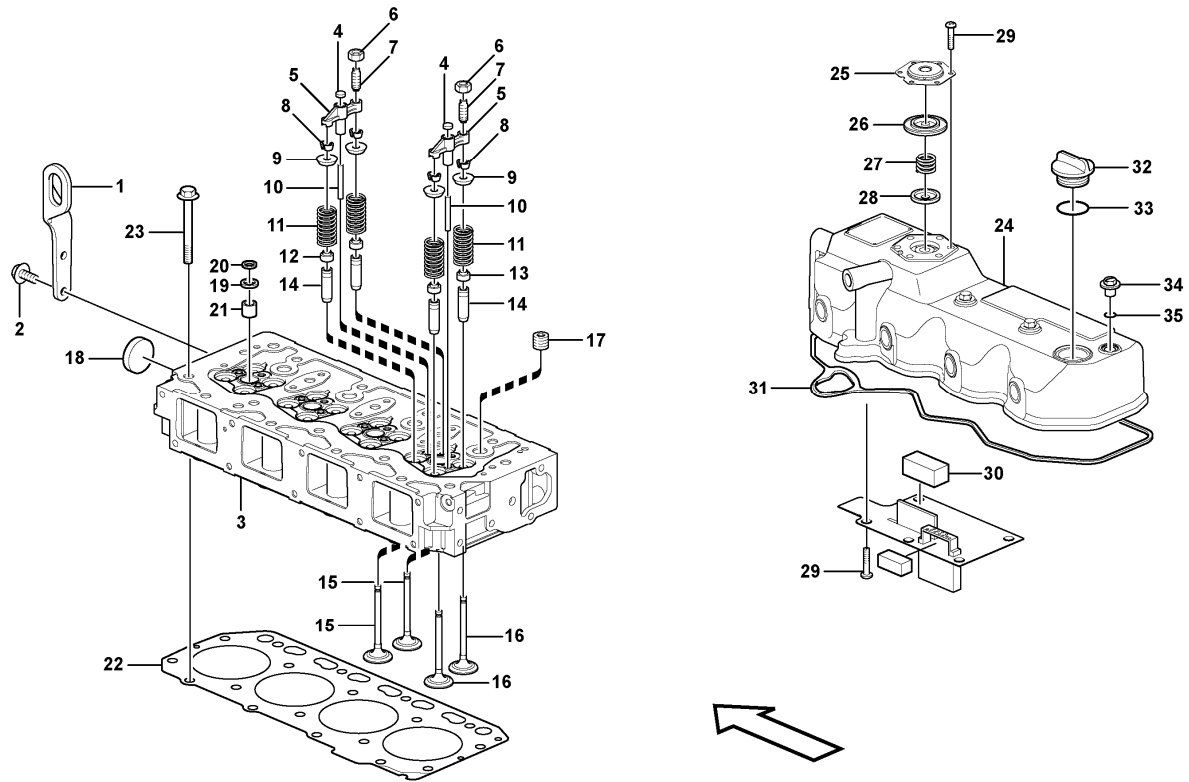
Enter the link into your browser.

The full manual is available for immediate download.

<https://www.ebooklibonline.com>

8		1							•Injector		
9		1							•Inlet, exhaust syst.		See ref 251/160
10		1							•Turbocharger		See ref 255/110

Date: 2013/10/20	Image id: 1039079	Catalogue: 20163	Model: MC70B
Brand: Volvo	Serial: 71000-	Group/Section: 211/100	Title: Cylinder head



Volvo Construction
Equipment
1039079

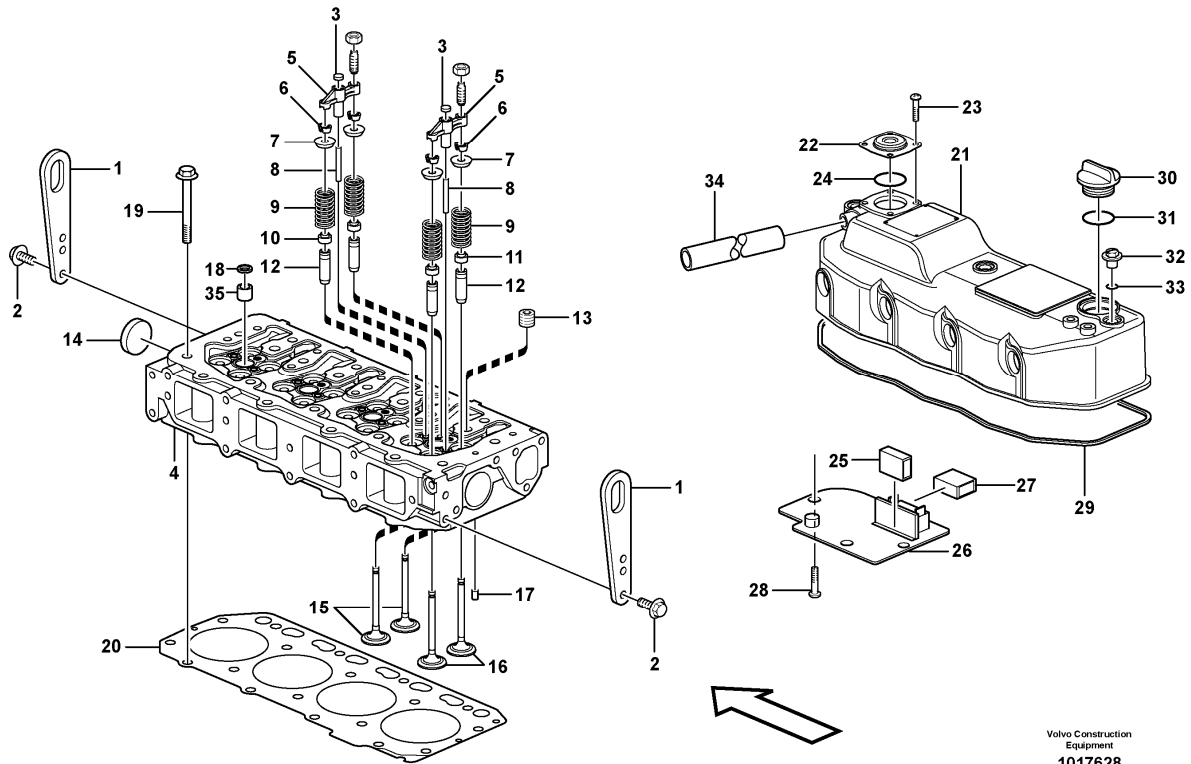
Section option	Kit	Option description
VOE11852929		Engine
VOE11858382		Engine TIER 3, US & EU MARKET

Q1-Q5	Option	Option description
Q1 11858382	VOE11858382	Engine TIER 3, US & EU MARKET

Pos	Part	Q1	Q2	Q3	Q4	Q5	PS	Kit	Description	Option(s)	Remark
1	15102864	1					NS		Lifting eye		
2	VOE11714388	2							Bolt		
3	VOE15102089	1							Cylinder head		
4	VOE14521518	8							Seat		
5		8					NS		•Bridge		
6	VOE11714380	8							•Nut		
7	VOE14521530	8							•Screw		
8	VOE11713537	32							•Valve sleeve		

9	VOE11714291	16							•Spring guide		
10	VOE11714288	8							•Guide		
11	VOE11714290	16							•Spring		
12	VOE11713308	8							•Sealing		
13	VOE11713306	8							•Sealing		
14	VOE11714287	16							•Guide		
15	VOE11714289	8							•Exhaust valve		
16	VOE11714293	8							•Inlet valve		
17	VOE14521522	4							•Plug		
18	VOE11714379	2							•Plug		
19	VOE11714381	4							Seat		
20	VOE11714386	4							O-ring		
21	VOE14521532	4							Protection		
22	VOE11714255	1							Gasket		
23	VOE11713588	18							Flange screw		
24	VOE15104332	1							Valve cover		
25	VOE14521550	1							•Plate		
26	VOE14521548	1							•Diaphragm		
27	VOE14521551	1							•Spring		
28	VOE14521549	1							•Plate		
29	VOE11714720	11							•Screw		
30	VOE14521553	1							•Plug		
31	VOE11714309	1							•Protection		
32	VOE11714383	1							Cap		
33	VOE11714371	1							O-ring		
34	VOE11714385	3							Flange cap nut		
35	VOE11714386	3							O-ring		

Date: 2013/10/20	Image id: 1017628	Catalogue: 20163	Model: MC70B
Brand: Volvo	Serial: 71000-	Group/Section: 211/110	Title: Cylinder head



Volvo Construction
Equipment
1017628

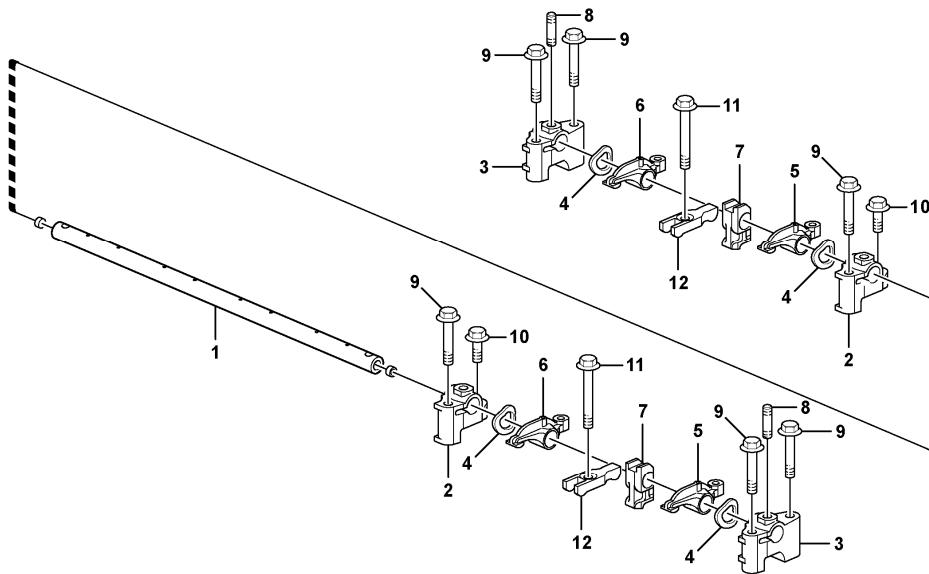
Section option	Kit	Option description
VOE11858378		Engine TIER 2A, INTERNATIONAL MARKET
VOE15635469		Engine TIER 2A, INTERNATIONAL MARKET

Q1-Q5	Option	Option description
Q1 11858378	VOE11858378	Engine TIER 2A, INTERNATIONAL MARKET

Pos	Part	Q1	Q2	Q3	Q4	Q5	PS	Kit	Description	Option(s)	Remark
1	VOE11714378	2							Lifting bracket		
2	VOE14525410	4							Bolt		
3	VOE11714285	8							Plug		
4	VOE11714286	1							Cylinder head		
5	VOE11714292	8							•Yoke		
6	VOE11713537	32							•Valve sleeve		
7	VOE11714291	16							•Spring guide		
8	VOE11714288	8							•Guide		

9	VOE11714290	16							•Spring		
10	VOE11713308	8							•Sealing		
11	VOE11713306	8							•Sealing		
12	VOE11714287	16							•Guide		
13	VOE14521522	4							•Plug		
14	VOE11714379	2							•Plug		
15	VOE11714289	8							•Exhaust valve		
16	VOE11714293	8							•Inlet valve		
17	VOE11714387	2							Spring pin		
18	VOE11714381	4							Seat		
19	VOE11713588	18							Flange screw		
20	VOE11714255	1							Gasket		
21	VOE11714304	1							Valve cover		
22	VOE11714308	1							•Cover		
23	VOE11714720	4							•Screw		
24	VOE11714310	1							•O-ring		
25	VOE11713658	1							•Baffle		
26	VOE11714305	1							•Plate		
27	VOE11713658	1							•Baffle		
28	VOE11714720	4							•Screw		
29	VOE11714309	1							•Protection		
30	VOE11714383	1							Cap		
31	VOE11714371	1							O-ring		
32	VOE11714385	3							Flange cap nut		
33	VOE11714386	3							O-ring		
34	VOE11714312	1							Tube		
35	VOE14521532	4							Protection		

Date: 2013/10/20	Image id: 1015774	Catalogue: 20163	Model: MC70B
Brand: Volvo	Serial: 71000-	Group/Section: 211/150	Title: Valve mechanism



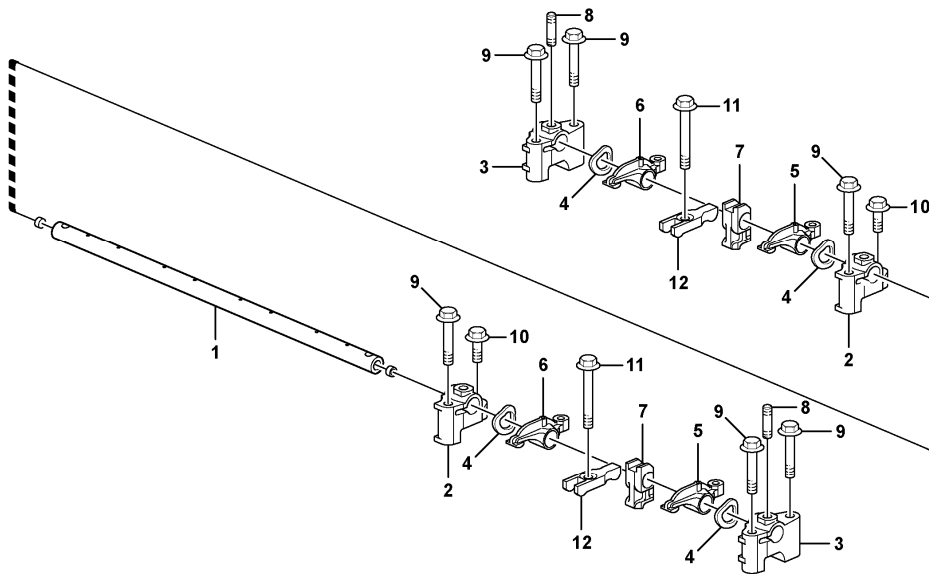
Volvo Construction
Equipment
1015774

Section option	Kit	Option description
VOE11852929		Engine
VOE11858382		Engine TIER 3, US & EU MARKET

Q1-Q5	Option	Option description	
Q1 11858382	VOE11858382	Engine TIER 3, US & EU MARKET	

Pos	Part	Q1	Q2	Q3	Q4	Q5	PS	Kit	Description	Option(s)	Remark
	VOE11714294						NS		Rocker Arm		
1	VOE11714295	1							•Shaft		
2	VOE11714297	3							•Bearing housing		
3	VOE11714296	2							•Bearing housing		
4	VOE15104326	8					SS		•Washer		
5	VOE11714299	4							•Rocker arm		
6	VOE11714300	4							•Rocker arm		
7	VOE11714301	4							•Retainer		

Date: 2013/10/20	Image id: 1015774	Catalogue: 20163	Model: MC70B
Brand: Volvo	Serial: 71000-	Group/Section: 211/160	Title: Valve mechanism



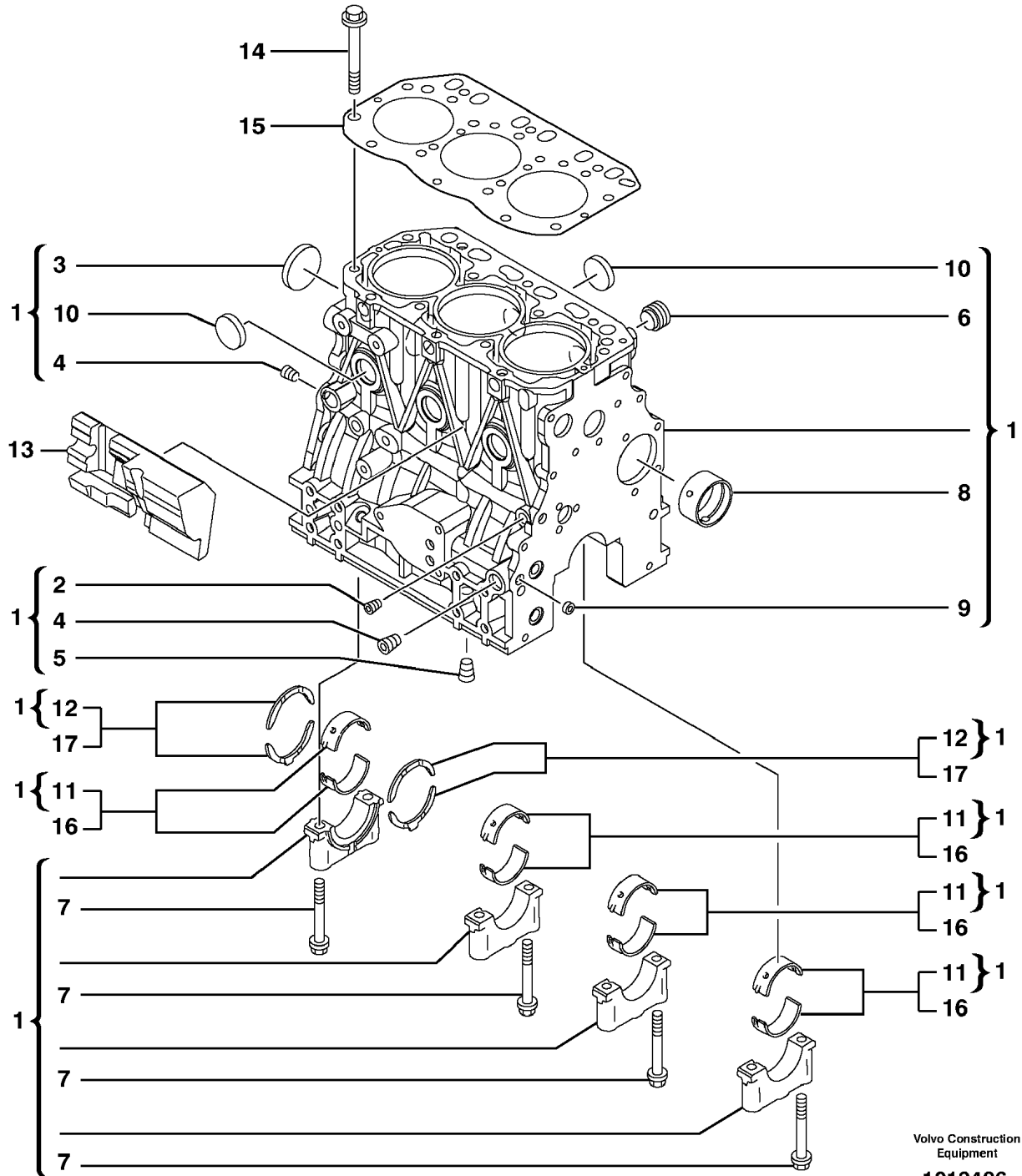
Volvo Construction
Equipment
1015774

Section option	Kit	Option description
VOE11858378		Engine TIER 2A, INTERNATIONAL MARKET
VOE15635469		Engine TIER 2A, INTERNATIONAL MARKET

Q1-Q5	Option	Option description
Q1 11858378	VOE11858378	Engine TIER 2A, INTERNATIONAL MARKET

Pos	Part	Q1	Q2	Q3	Q4	Q5	PS	Kit	Description	Option(s)	Remark
	VOE11714294						NS		Rocker Arm		
1	VOE11714295	1							•Shaft		
2	VOE11714297	3							•Bearing housing		
3	VOE11714296	2							•Bearing housing		
4	VOE11714298	8							•Washer		
5	VOE11714299	4							•Rocker arm		
6	VOE11714300	4							•Rocker arm		
7	VOE11714301	4							•Retainer		

Date: 2013/10/20	Image id: 1012496	Catalogue: 20163	Model: MC70B
Brand: Volvo	Serial: 71000-	Group/Section: 212/100	Title: Cylinder block



Volvo Construction
Equipment
1012496

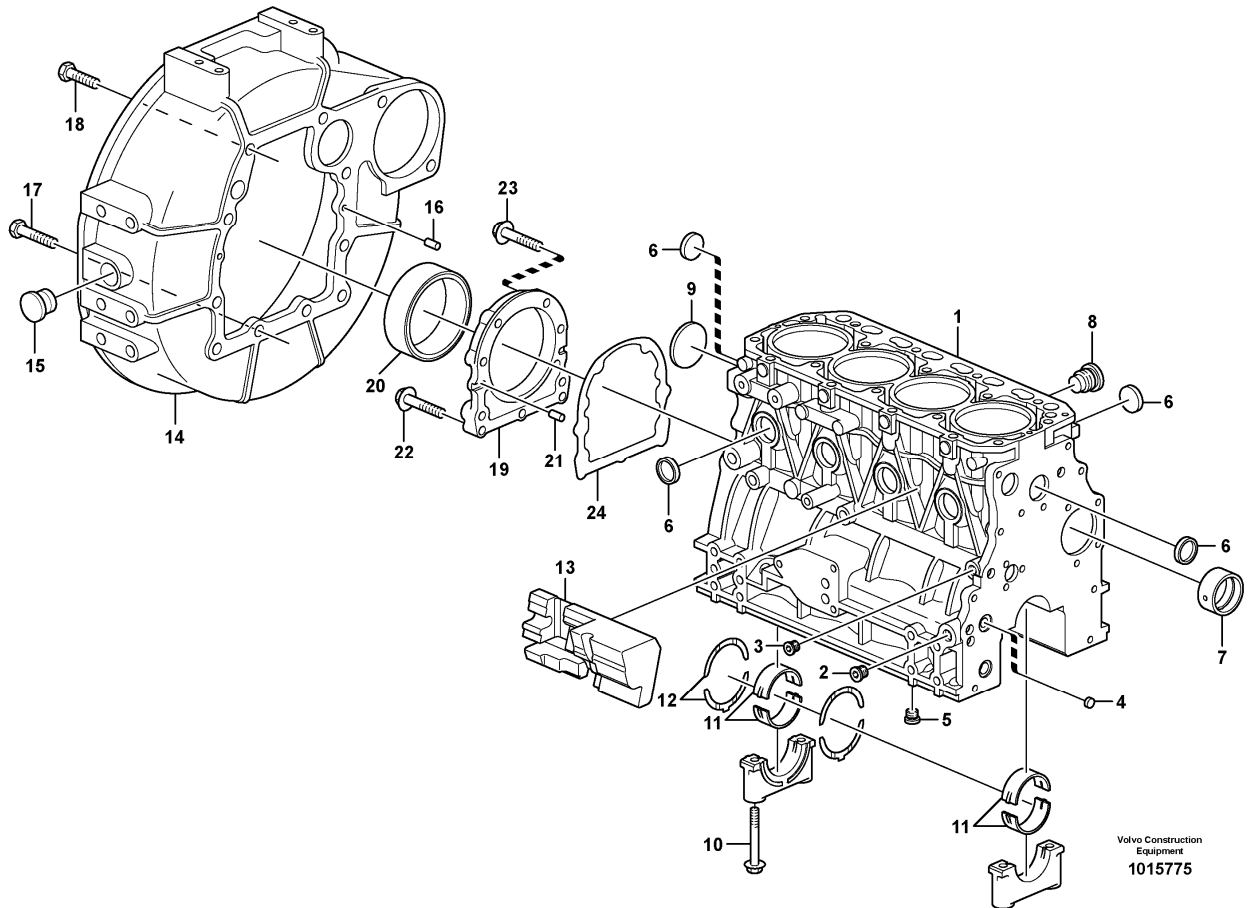
Section option	Kit	Option description
VOE11852929		Engine

VOE11858382		Engine TIER 3, US & EU MARKET
-------------	--	-------------------------------

Q1-Q5	Option	Option description	
Q1 11858382	VOE11858382	Engine TIER 3, US & EU MARKET	

Pos	Part	Q1	Q2	Q3	Q4	Q5	PS	Kit	Description	Option(s)	Remark
1	VOE15097284	1							Block		
2	VOE11713317	1							•Plug		
3	VOE11713559	1							•Plug		
4	VOE11713320	2							•Plug		
5	VOE11713320	1							•Plug		
6	VOE11713560	1							•Plug		
7	VOE11713561	8							•Bolt		
8	VOE15082444	1							•Bushing		
9	VOE11713329	2							•Plug		
10	VOE11714369	6							•Plug		
11		4					NS		•Bushing		STD SZ
12	VOE15082453	2							•Thrust washer		
13	VOE11713587	1							Spacer		
14	VOE11713588	14							Flange screw		
15	VOE11713589	1							Cylinder head gasket		
16	VOE15082457	4							Bearing kit		STD
16	VOE15082494	4							Bearing arrangement		US = 0,25MM
17	VOE15082449	1							Thrust Bearing		0,25 MM 4 PC

Date: 2013/10/20	Image id: 1015775	Catalogue: 20163	Model: MC70B
Brand: Volvo	Serial: 71000-	Group/Section: 212/110	Title: Cylinder block



Volvo Construction
Equipment
1015775

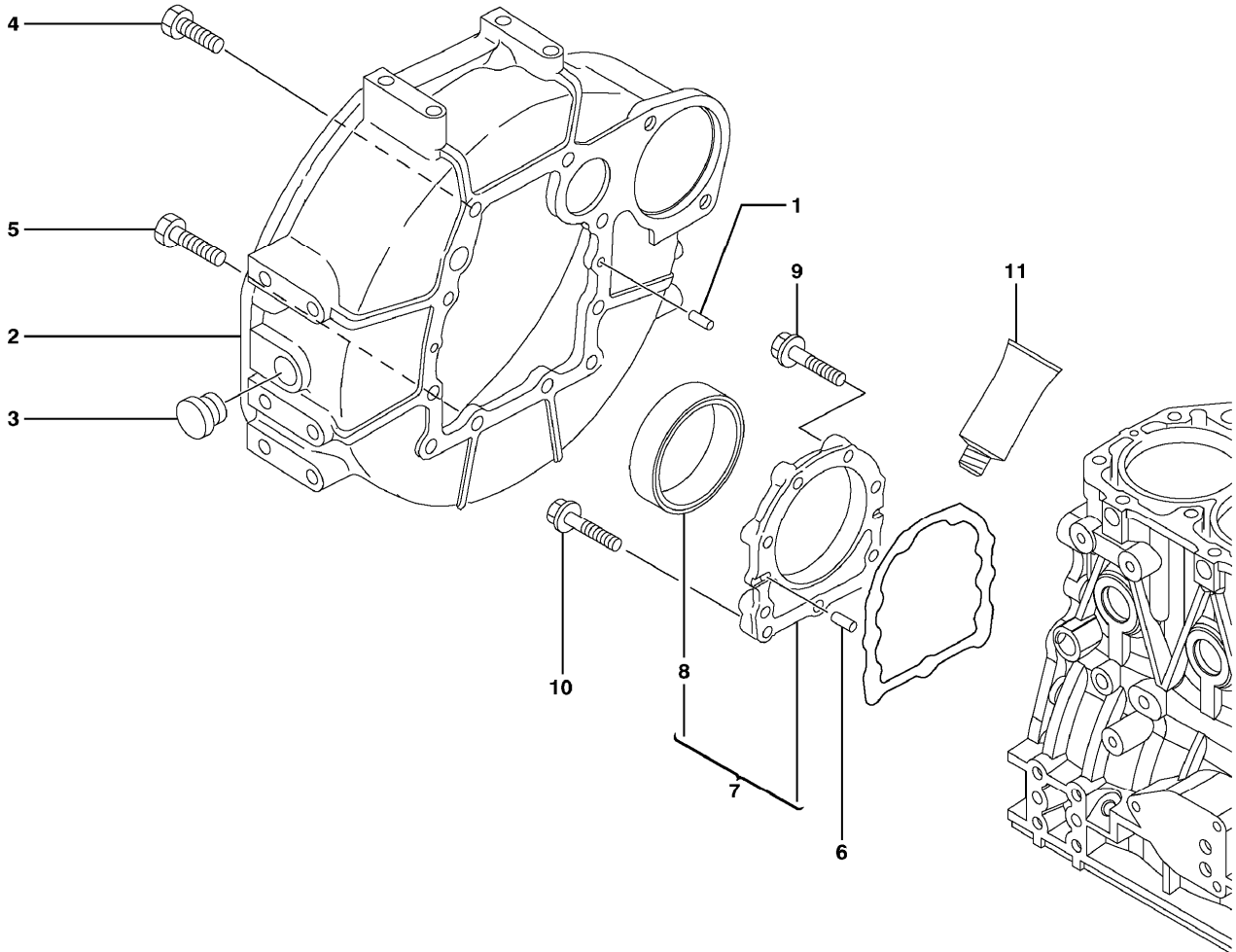
Section option	Kit	Option description
VOE11858378		Engine TIER 2A, INTERNATIONAL MARKET
VOE15635469		Engine TIER 2A, INTERNATIONAL MARKET

Q1-Q5	Option	Option description
Q1 11858378	VOE11858378	Engine TIER 2A, INTERNATIONAL MARKET

Pos	Part	Q1	Q2	Q3	Q4	Q5	PS	Kit	Description	Option(s)	Remark
1	VOE11714248	1							Cylinder block		
2	VOE11713320	2							•Plug		
3	VOE11713317	1							•Plug		
4	VOE11713329	2							•Plug		
5	VOE11713320	1							•Plug		
6	VOE11714369	8							•Plug		
7	VOE11713562	1							•Camshaft bushing		
8	VOE11713560	1							•Plug		

9	VOE11713559	1							•Plug		
10	VOE11713561	10							•Bolt		
11	VOE15082457	5							•Bearing kit		(VOE11713570)STD SZ
	VOE11713590	5							•Main bearing shell		0.25 MM O SZ
12	VOE11713573	2							•Thrust bearing		STD SZ
	VOE11713591	2							•Thrust bearing		0.25 MM O SZ
13	VOE11713587	1							Spacer		
14	VOE11713633	1							Housing		
15	VOE11713372	1							Cap		
16	VOE11714376	2							Pin		
17	VOE11713634	4							Bolt		
18	VOE11713373	6							Bolt		
19	VOE11714282	1							Cover		
20	VOE11714283	1							•Sealing ring		
21	VOE11714376	2							Pin		
22	VOE11714281	3							Flange screw		
23	VOE11713643	6							Bolt		
24	VOE11713514	1							Sealant		

Date: 2013/10/20	Image id: 1012497	Catalogue: 20163	Model: MC70B
Brand: Volvo	Serial: 71000-	Group/Section: 212/150	Title: Flywheel housing



Volvo Construction
Equipment
1012497

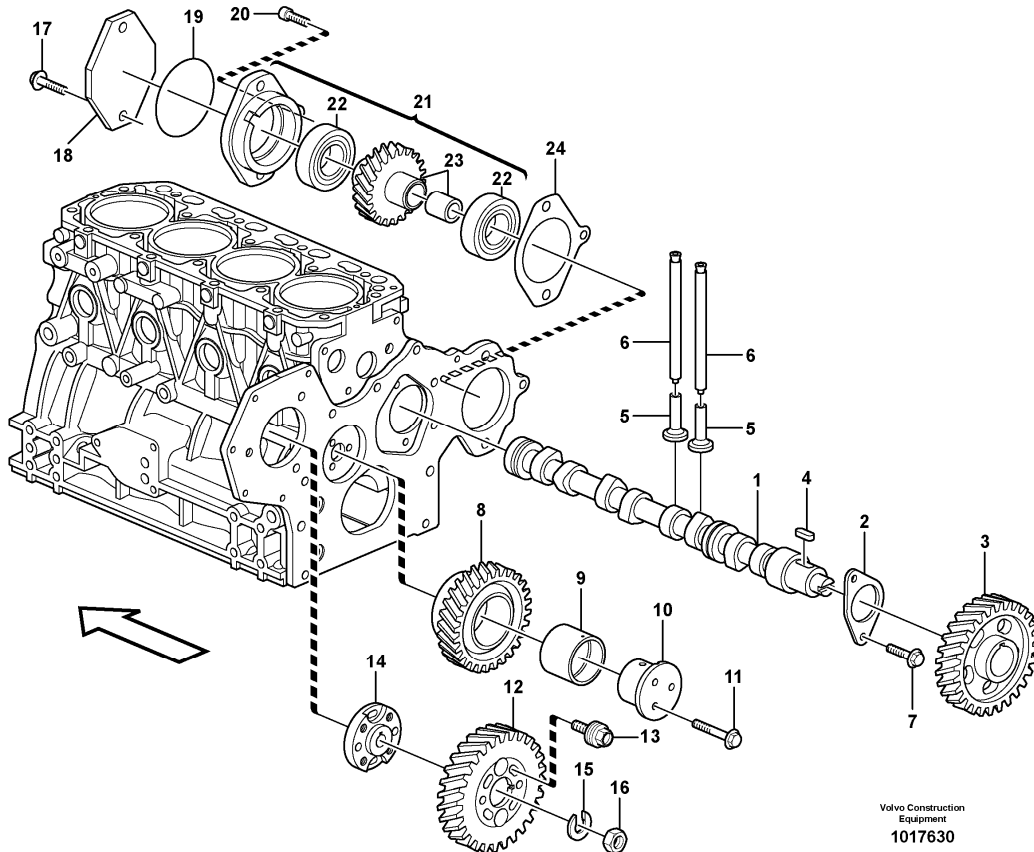
Section option	Kit	Option description
VOE11852929		Engine
VOE11858382		Engine TIER 3, US & EU MARKET

Q1-Q5	Option	Option description	
Q1 11858382	VOE11858382	Engine TIER 3, US & EU MARKET	

Pos	Part	Q1	Q2	Q3	Q4	Q5	PS	Kit	Description	Option(s)	Remark
1	VOE11714376	2							Pin		
2	VOE11713633	1							Housing		
3	VOE11713372	1							Cap		
4	VOE11713373	6							Bolt		

5	VOE11713634	4							Bolt		
6	VOE11714376	2							Pin		(SA8210-03530)
7	VOE15103087	1							Case		
8	VOE15103091	1							•Sealing		
9	VOE11713643	6							Bolt		
10	VOE11714281	3							Flange screw		

Date: 2013/10/20	Image id: 1017630	Catalogue: 20163	Model: MC70B
Brand: Volvo	Serial: 71000-	Group/Section: 214/100	Title: Valve mechanism



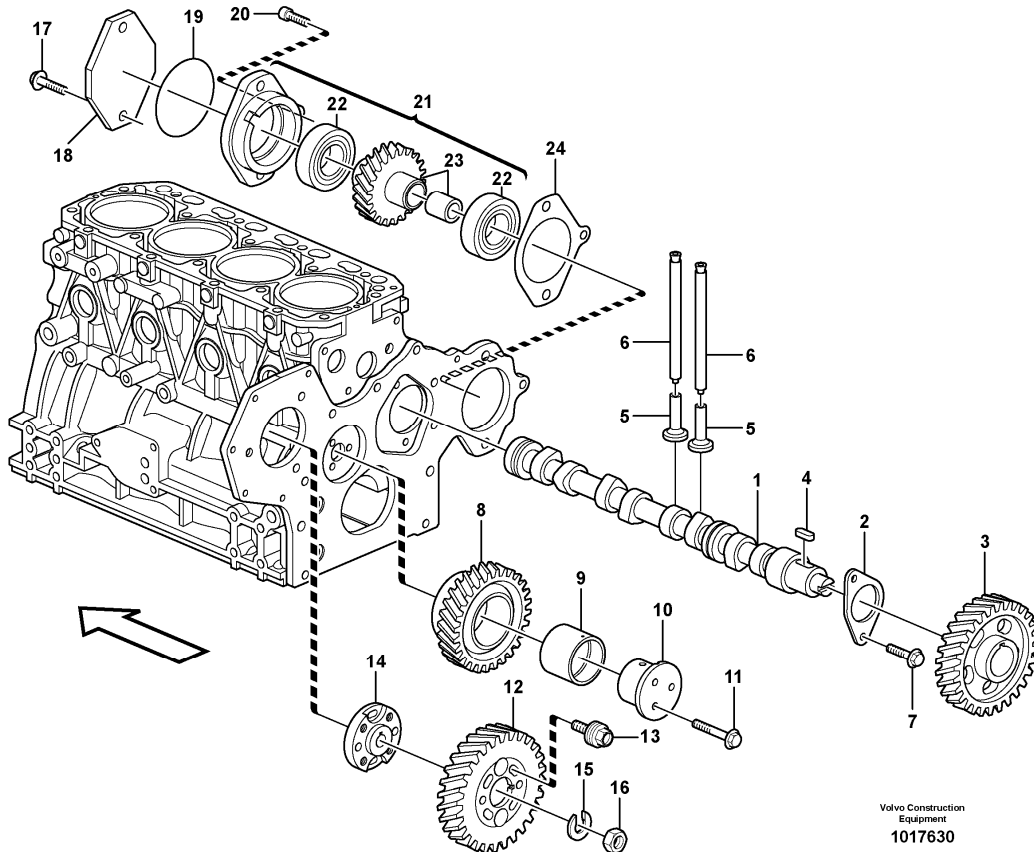
Section option	Kit	Option description
VOE11852929		Engine
VOE11858382		Engine TIER 3, US & EU MARKET

Q1-Q5	Option	Option description
Q1 11858382	VOE11858382	Engine TIER 3, US & EU MARKET

Pos	Part	Q1	Q2	Q3	Q4	Q5	PS	Kit	Description	Option(s)	Remark
1	VOE11714333	1							Camshaft		
2		1					NS		•Thrust Washer		
3		1					NS		•Camshaft Gear		
4		1					NS		•Key		
5	VOE11714485	8							Tappet		
6	VOE11713678	8							Rod		
7	VOE14525410	2							Bolt		
8	VOE15079637	1							Gear		

9	VOE15079646	1							Bushing		
10	VOE15079645	1							Shaft		
11	VOE11714388	3							Bolt		
12	VOE11714338	1							Gear		
13	VOE11713415	4							Bolt		
14	VOE11714339	1							Flange		
15	VOE11714345	1							Spring washer		
16	VOE11714347	1							Lock nut		
17	VOE11714348	2							Bolt		
18	VOE15067560	1							Gear housing cover		
19	VOE11714346	1							O-ring		
20	VOE11714349	1							Bolt		
21	VOE11714342	1							Gear		
22	VOE11714344	2							•Ball bearing		
23	VOE11714343	1							•Gear		
24	VOE11714341	1							Gasket		

Date: 2013/10/20	Image id: 1017630	Catalogue: 20163	Model: MC70B
Brand: Volvo	Serial: 71000-	Group/Section: 214/110	Title: Valve mechanism



Volvo Construction
Equipment
1017630

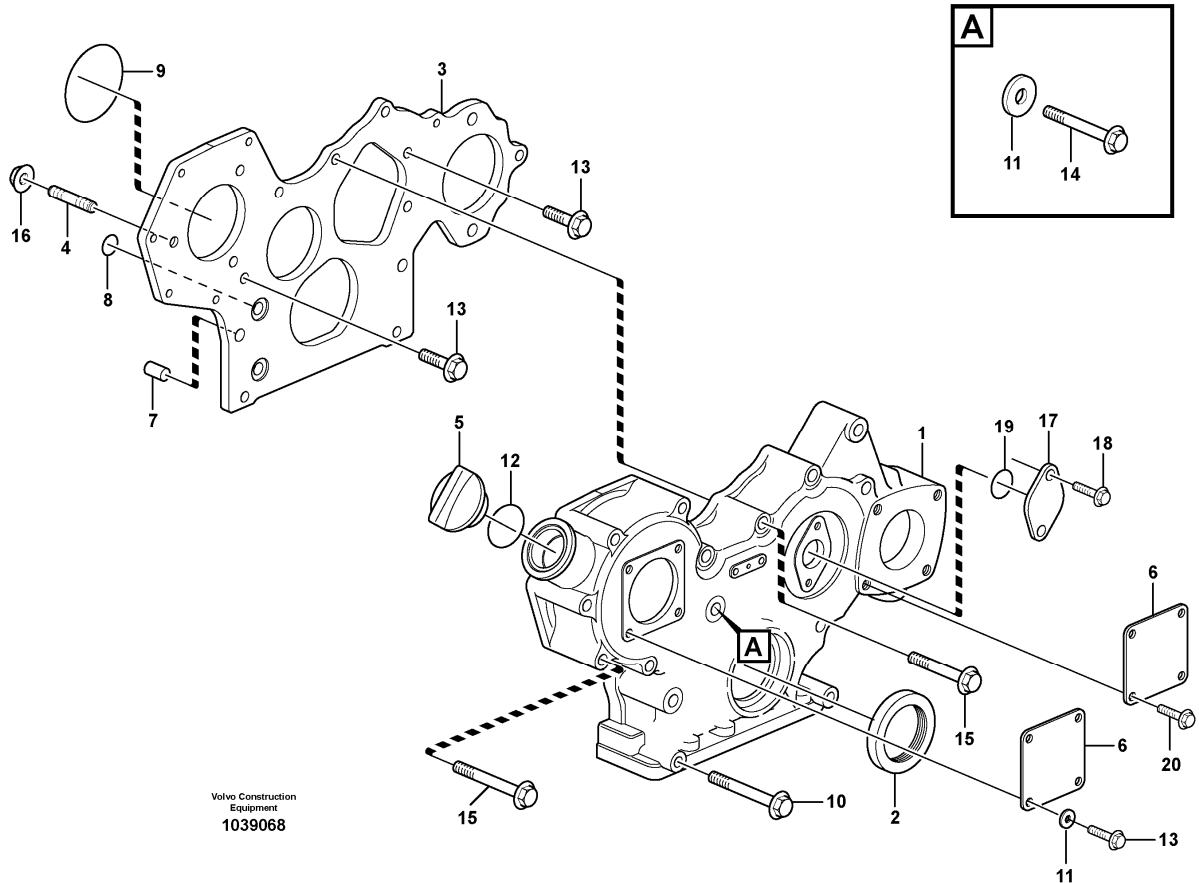
Section option	Kit	Option description
VOE11858378		Engine TIER 2A, INTERNATIONAL MARKET
VOE15635469		Engine TIER 2A, INTERNATIONAL MARKET

Q1-Q5	Option	Option description
Q1 11858378	VOE11858378	Engine TIER 2A, INTERNATIONAL MARKET

Pos	Part	Q1	Q2	Q3	Q4	Q5	PS	Kit	Description	Option(s)	Remark
1	VOE11714333	1							Camshaft		
2		1					NS		•Thrust Washer		
3		1					NS		•Camshaft Gear		
4		1					NS		•Key		
5	VOE11714485	8							Tappet		
6	VOE11713678	8							Rod		
7	VOE14525410	2							Bolt		
8	VOE11713681	1							Gear		

9	VOE11714337	1					NS		•Bushing		
10	VOE11713680	1							Shaft		
11	VOE11714487	3							Bolt		
12	VOE11714338	1							Gear		
13	VOE11713415	4							Bolt		
14	VOE11714339	1							Flange		
15	VOE11714345	1							Spring washer		
16	VOE11714347	1							Lock nut		
17	VOE11714348	2							Bolt		
18	VOE11714340	1					NS		Cover		
19	VOE11714346	1							O-ring		
20	VOE11714349	1							Bolt		
21	VOE11714342	1							Gear		
22	VOE11714344	2							•Ball bearing		
23	VOE11714343	1							•Gear		
24	VOE11714341	1							Gasket		

Date: 2013/10/20	Image id: 1039068	Catalogue: 20163	Model: MC70B
Brand: Volvo	Serial: 71000-	Group/Section: 215/100	Title: Timing gear casing and gears

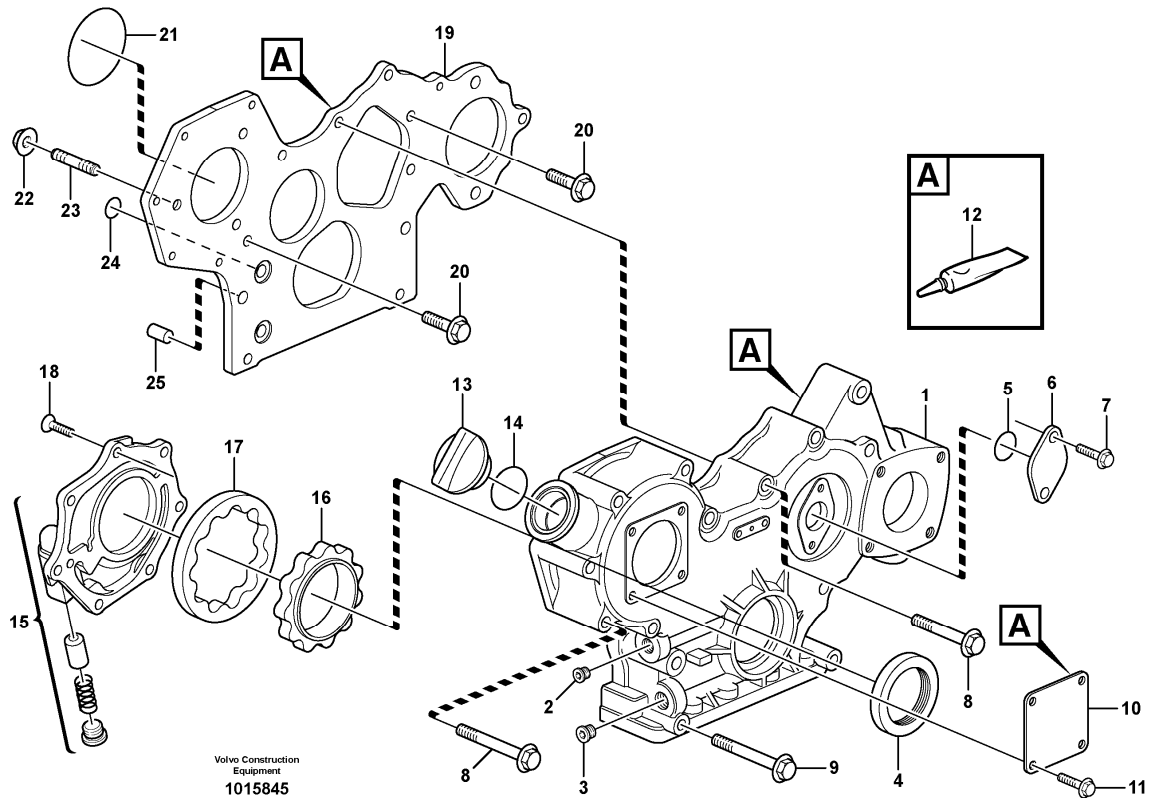


Section option	Kit	Option description
VOE11852929		Engine
VOE11858382		Engine TIER 3, US & EU MARKET

Q1-Q5	Option	Option description
Q1 11858382	VOE11858382	Engine TIER 3, US & EU MARKET

Pos	Part	Q1	Q2	Q3	Q4	Q5	PS	Kit	Description	Option(s)	Remark
1	VOE15102059	1							Gear housing		
2	VOE15082439	1							•Sealing		
3		1					NS		Plate		
4	VOE15079309	3							Ball pin		
5	VOE11714383	1							Cap		
6	VOE11714370	2							Cover		
7	VOE11713620	2							Pipe		
8	VOE11713621	2							O-ring		

Date: 2013/10/20	Image id: 1015845	Catalogue: 20163	Model: MC70B
Brand: Volvo	Serial: 71000-	Group/Section: 215/110	Title: Timing gear casing and gears

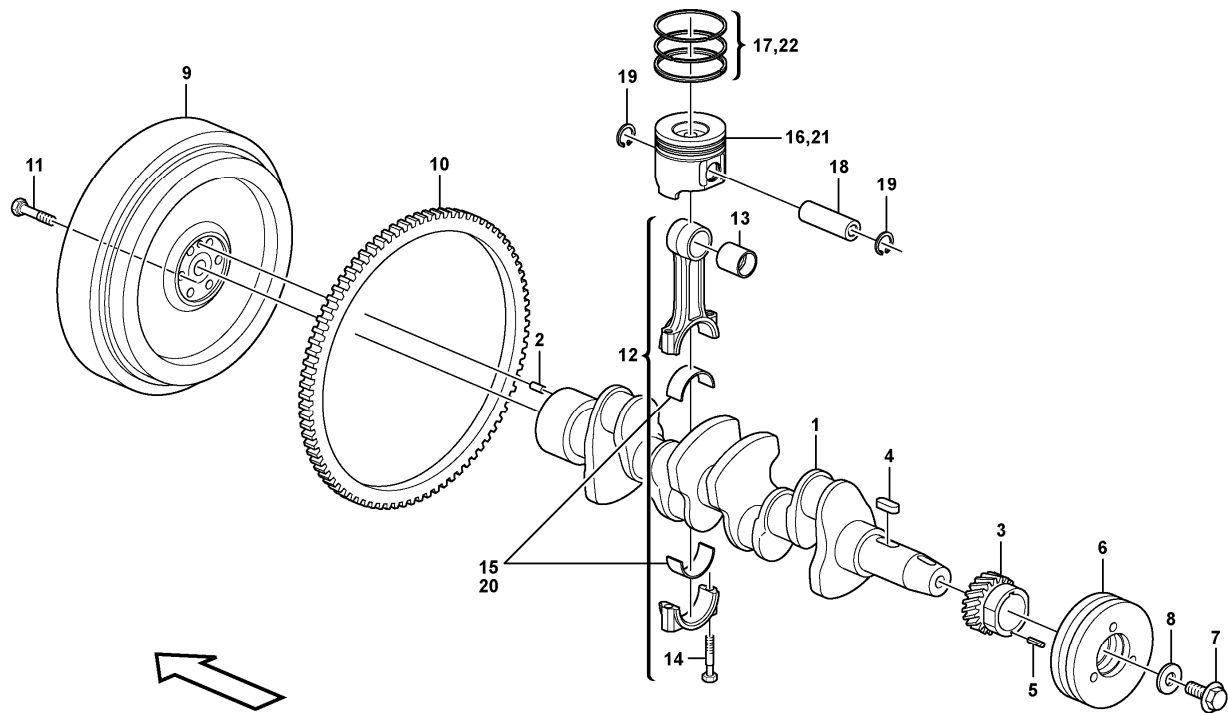


Section option	Kit	Option description
VOE11858378		Engine TIER 2A, INTERNATIONAL MARKET
VOE15635469		Engine TIER 2A, INTERNATIONAL MARKET

Q1-Q5	Option	Option description	
Q1 11858378	VOE11858378	Engine TIER 2A, INTERNATIONAL MARKET	

Pos	Part	Q1	Q2	Q3	Q4	Q5	PS	Kit	Description	Option(s)	Remark
1	VOE11714259	1							Timing gear casing		
2	VOE14521504	1							•Plug		
3	VOE11713615	1							•Plug		
4	VOE11713616	1							•Sealing		
5	VOE11713626	1							O-ring		
6	VOE11713625	1							Cover		
7	VOE11714374	2							Bolt		
8	VOE11714373	11							Bolt		

Date: 2013/10/20	Image id: 1017695	Catalogue: 20163	Model: MC70B
Brand: Volvo	Serial: 71000-	Group/Section: 216/100	Title: Crankshaft and related parts



Volvo Construction
Equipment
1017695

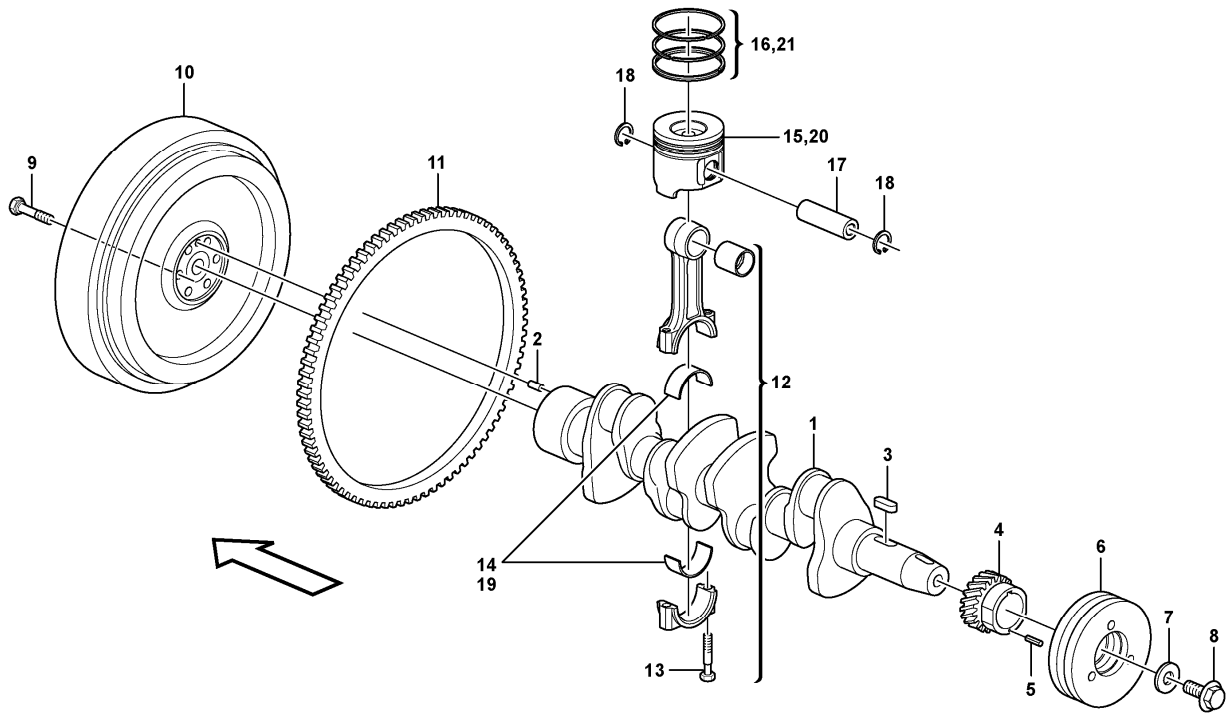
Section option	Kit	Option description
VOE11852929		Engine
VOE11858382		Engine TIER 3, US & EU MARKET

Q1-Q5	Option	Option description
Q1 11858382	VOE11858382	Engine TIER 3, US & EU MARKET

Pos	Part	Q1	Q2	Q3	Q4	Q5	PS	Kit	Description	Option(s)	Remark
1	VOE15102066	1							Crankshaft		
2	VOE11714376	1							•Pin		
3	VOE15079971	1							•Gear		
4	VOE11714468	1							•Key		
5	VOE11713687	1							Pin		
6	VOE11714357	1							Pulley		
7	VOE11713690	1							Bolt		
8	VOE11713689	1							Washer		

9	VOE11714360	1							Flywheel		
10	VOE11713419	1							•Starter gear ring		
11	VOE11713431	6							Bolt		
12	VOE11713696	4							Connecting rod		
13	VOE11714724	4							•Bushing		
14	VOE11713697	8							•Bolt		
15	VOE15079972	4							•Bearing bushing		STD SZ
16	VOE15102069	4							Piston		STD SZ
17	VOE15102067	4							•Piston ring kit		STD SZ
18	VOE11713694	4							Pin		
19	VOE11713695	8							Retaining ring		
20	VOE15079973	4							Bearing bushing		0.25 MM O SZ
21	VOE15102070	4							Piston		0.25 MM O SZ
22	VOE15102071	4							Piston ring kit		0.25 MM O SZ

Date: 2013/10/20	Image id: 1017633	Catalogue: 20163	Model: MC70B
Brand: Volvo	Serial: 71000-	Group/Section: 216/110	Title: Crankshaft and related parts



Volvo Construction
Equipment
1017633

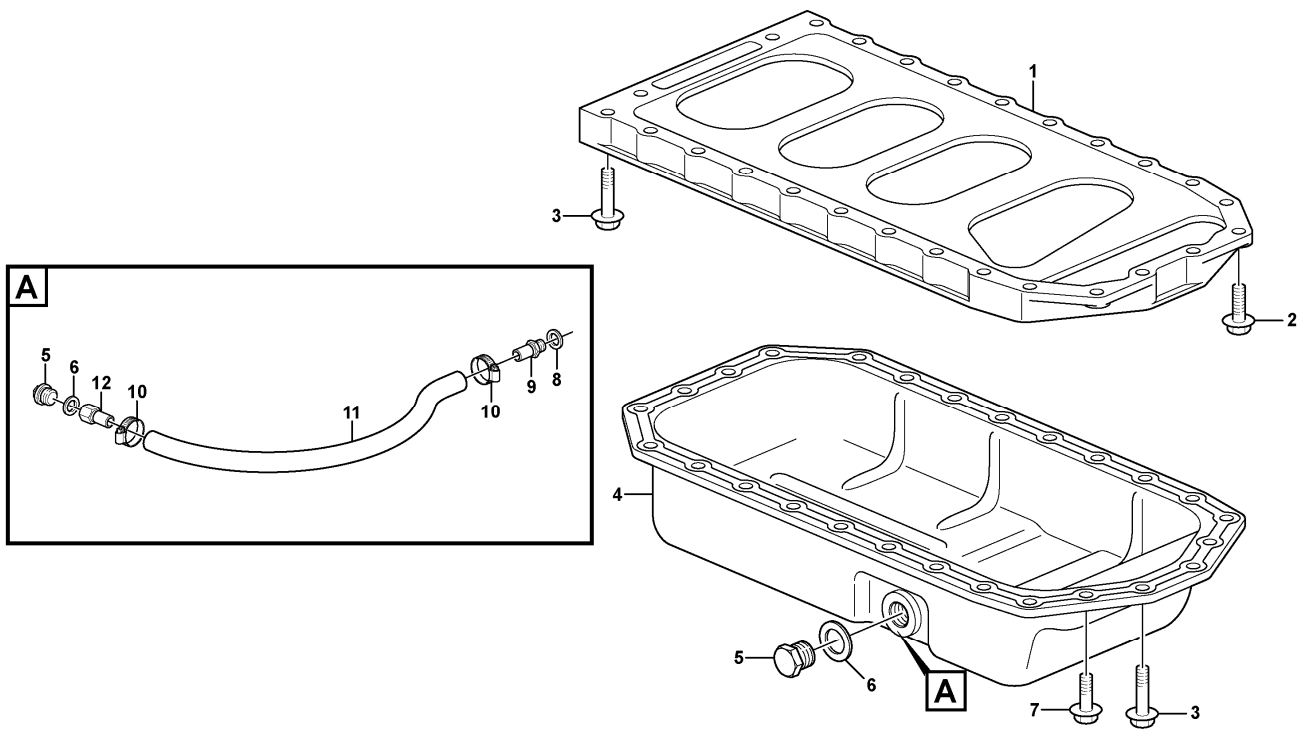
Section option	Kit	Option description
VOE11858378		Engine TIER 2A, INTERNATIONAL MARKET
VOE15635469		Engine TIER 2A, INTERNATIONAL MARKET

Q1-Q5	Option	Option description
Q1 11858378	VOE11858378	Engine TIER 2A, INTERNATIONAL MARKET

Pos	Part	Q1	Q2	Q3	Q4	Q5	PS	Kit	Description	Option(s)	Remark
1	VOE11714354	1							Crankshaft		
2	VOE11714376	1							•Pin		
3	VOE11714468	1							•Key		
4	VOE11714355	1							•Gear		
5	VOE11713687	1							Pin		
6	VOE11714357	1							Pulley		
7	VOE11713689	1							Washer		
8	VOE11713690	1							Bolt		

9	VOE11713431	6							Bolt		
10	VOE11714360	1							Flywheel		
11	VOE11713419	1							•Starter gear ring		
12	VOE11713696	4							Connecting rod		
	VOE11714724	4							•Bushing		
13	VOE11713697	8							•Bolt		
14	VOE11713698	4							•Bearing		STD SZ
15	VOE11714361	4							Piston		STD SZ
16	VOE11714362	4							•Piston		STD SZ
17	VOE11713694	4							Pin		
18	VOE11713695	8							Retaining ring		
19	VOE11713699	4							Bearing		0.25 MM O SZ
20	VOE11714389	4							Piston		0.25 MM O SZ
21	VOE11714390	4							Piston ring		0.25 MM O SZ

Date: 2013/10/20	Image id: 1015846	Catalogue: 20163	Model: MC70B
Brand: Volvo	Serial: 71000-	Group/Section: 217/100	Title: Oil sump



Volvo Construction
Equipment
1015846

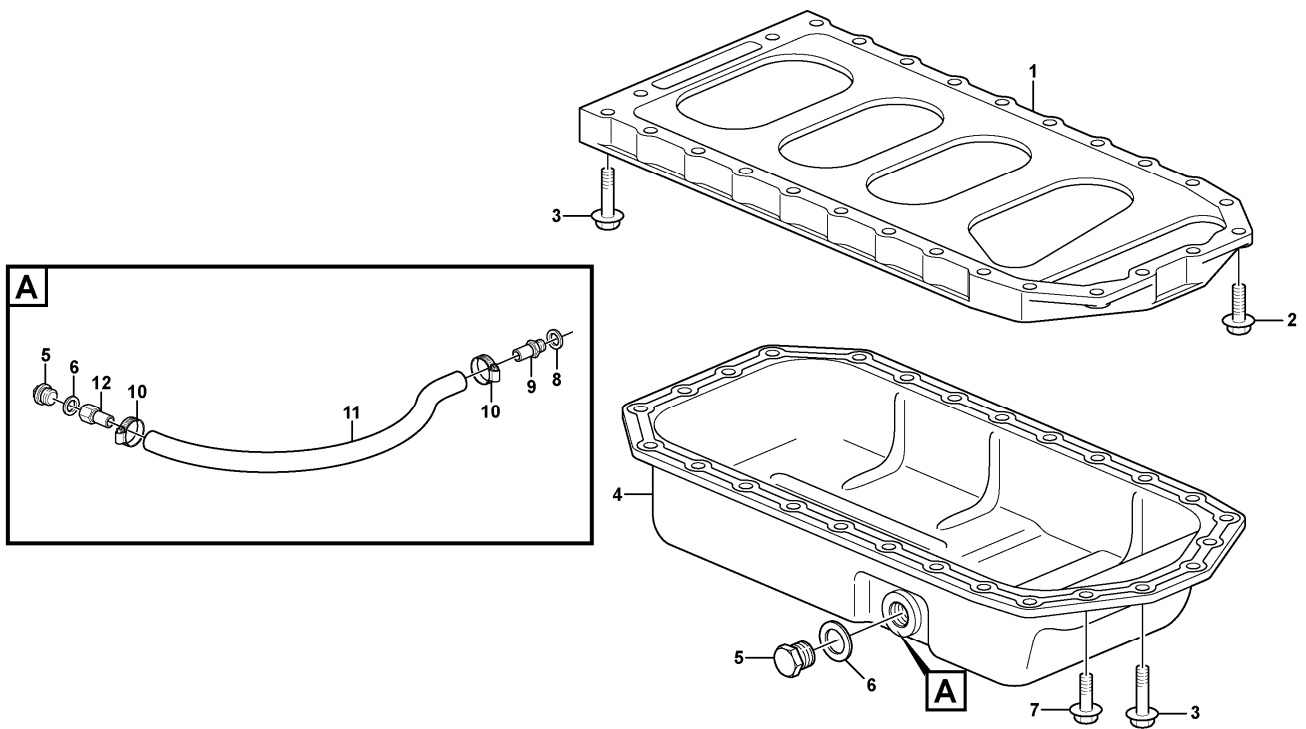
Section option	Kit	Option description
VOE11840379		Oil drain cplt. kit
VOE11852929		Engine
VOE11858382		Engine TIER 3, US & EU MARKET

Q1-Q5	Option	Option description	
Q1 11858382	VOE11858382	Engine TIER 3, US & EU MARKET	
Q2 11840379	VOE11840379	Oil drain cplt. kit	

Pos	Part	Q1	Q2	Q3	Q4	Q5	PS	Kit	Description	Option(s)	Remark
1	VOE11714276	1							Spacer		
2	VOE11713640	2							Bolt		
3	VOE11714377	24							Bolt		
4	VOE11714277	1							Oil pan		
5	VOE11713638	1							•Drain plug		
6	VOE11713639	1							•Sealing		

7	VOE11714372	4							Bolt		
8	VOE948885		1						Plane gasket		
9	VOE948931		1						Nipple		
10	VOE943475		2						Hose clamp		
11	VOE13961193		REQ						Hydraulic hose		L = 500 MM
12	VOE11852124		1						Nipple		

Date: 2013/10/20	Image id: 1015846	Catalogue: 20163	Model: MC70B
Brand: Volvo	Serial: 71000-	Group/Section: 217/110	Title: Oil sump



Volvo Construction
Equipment
1015846

Section option	Kit	Option description
VOE11840379		Oil drain cplt. kit
VOE11858378		Engine TIER 2A, INTERNATIONAL MARKET
VOE15635469		Engine TIER 2A, INTERNATIONAL MARKET

Q1-Q5	Option	Option description	
Q1 11858378	VOE11858378	Engine TIER 2A, INTERNATIONAL MARKET	
Q2 11840379	VOE11840379	Oil drain cplt. kit	

Pos	Part	Q1	Q2	Q3	Q4	Q5	PS	Kit	Description	Option(s)	Remark
1	VOE11714276	1							Spacer		
2	VOE11713640	2							Bolt		
3	VOE11714377	24							Bolt		
4	VOE11714277	1							Oil pan		
5	VOE11713638	1	1						•Drain plug		
6	VOE11713639	1	1						•Sealing		

7	VOE11714372	4							Bolt		
8	VOE948885		1						Plane gasket		
9	VOE948931		1						Nipple		
10	VOE943475		2						Hose clamp		
11	VOE13961193		REQ						Hydraulic hose		L = 500 MM
12	VOE11852124		1						Nipple		



Suggest:

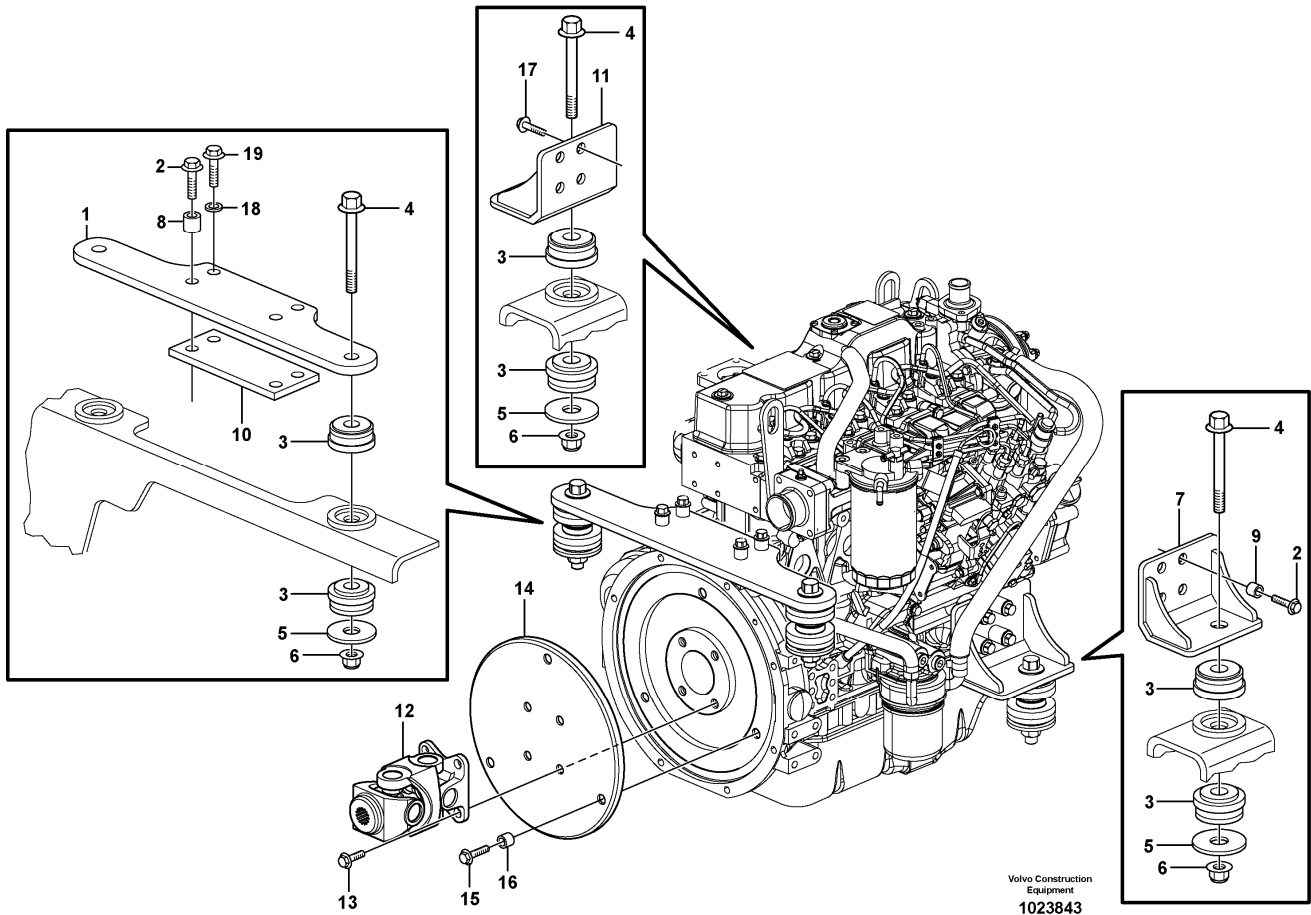
For more complete manuals. Please go to the home page.

<https://www.ebooklibonline.com>

If the above button click is invalid. Please download this document first, and then click the above link to download the complete manual.

Thank you so much for reading

Date: 2013/10/20	Image id: 1023843	Catalogue: 20163	Model: MC70B
Brand: Volvo	Serial: 71000-	Group/Section: 218/100	Title: Engine mounting



Section option	Kit	Option description
VOE11852929		Engine

Pos	Part	Q1	Q2	Q3	Q4	Q5	PS	Kit	Description	Option(s)	Remark
1	VOE11850537	1							Plate		
2	VOE968163	9							Flange screw		
3	VOE11852528	8							Mount		
4	VOE968592	4							Flange screw		
5	VOE11850356	4							Washer		
6	VOE13967934	4							Flange lock nut		(VOE967934)
7	VOE11850533	1							Bracket		
8	VOE13930447	2							Spacer ring		
9	VOE843028	8							Spacer sleeve		
10	VOE11850538	1							Plate		
11	VOE11850877	1							Bracket		
12	VOE11840942	1							Ball joint		

13	VOE946441	4							Flange screw		
14	VOE11850592	1							Plate		
15	VOE946671	3							Flange screw		
16	VOE13948871	3							Spacer washer		
17	VOE946329	1							Flange screw		
18	VOE930842	2							Washer		
19	VOE983253	2							Hexagon screw		

<https://www.ebooklibonline.com>

Hello dear friend!

Thank you very much for reading.

Enter the link into your browser.

The full manual is available for immediate download.

<https://www.ebooklibonline.com>