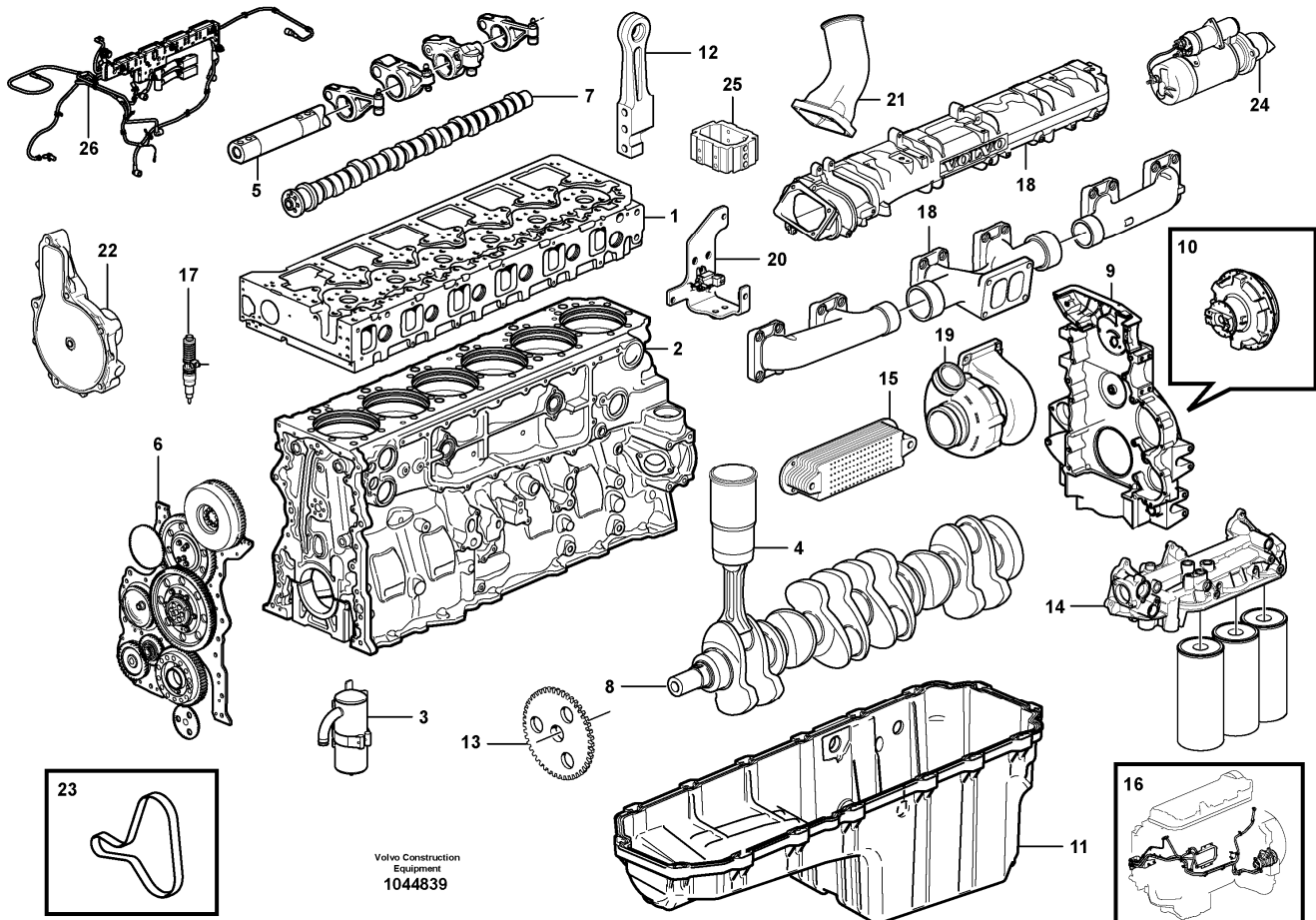


Date: 2014/3/6	Image id: 1044839	Catalogue: 20089	Model: L350F
Brand: Volvo	Serial: 1001-	Group/Section: 210/150	Title: Engine



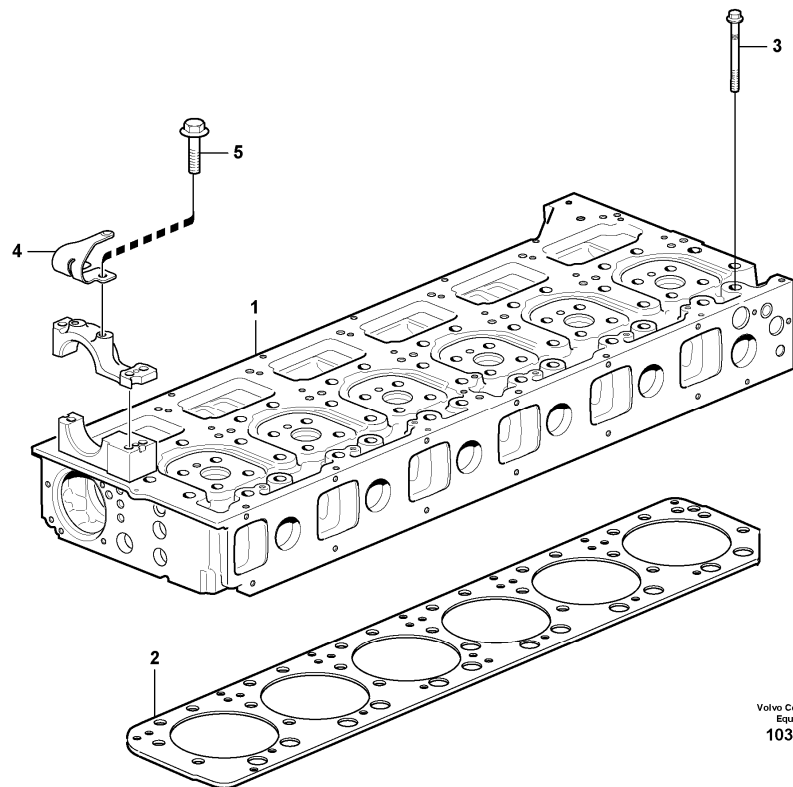
Section option	Kit	Option description
VOE8188182		Engine D16ELAE3
VOE8188187		Engine D16E

Q1-Q5	Option	Option description
Q1 S/N - 1087		
Q2 S/N 1088 -		

Pos	Part	Q1	Q2	Q3	Q4	Q5	PS	Kit	Description	Option(s)	Remark
	VOE8188182	1					SS		Engine		D16ELAE3
	VOE8188187		1						Engine		D16E
1		1	1						•Cylinder head		See ref 211/100
2		1	1						•Cylinder block		See ref 212/100
3		1	1						•Crankcase ventilation		See ref 212/200

4		6	6						•Cylinder liner,piston		See ref 213/100
5		1	1						•Valve mechanism		See ref 214/100
6		1	1						•Timing gear case and		See ref 215/100
7		1	1						•Camshaft		See ref 215/150
8		1	1						•Crankshaft		See ref 216/100
9		1	1						•Flywheel Hsg		See ref 216/150
10		1	1						•Damper		See ref 216/200
11		1	1						•Oil sump		See ref 217/100
12		1	1						•Engine mounting		See ref 218/100
13		1	1						•Lubricating system		See ref 221/100
14		1	1						•Oil filter		See ref 222/100
15		1	1						•Oil cooler		See ref 223/100
16		1	1						•Fuel system		See ref 235/200
17		1	1						•Injector		See ref 237/100
18		1	1						•Inlet, exhaust syst.		See ref 251/100
19		1	1						•Turbocharger		See ref 255/100
20		1	1						•Solenoid valve		See ref 255/150
21		1	1						•Charge Air Pipe		See ref 258/100
22		1	1						•Coolant Pump		See ref 262/100
23		1	1						•Belt Xmsn		See ref 263/400
24		1	1						•Starter Motor		See ref 331/100
25		1	1						•Starter Element		See ref 333/150
26		1	1						•Cable harness		See ref 371/150

Date: 2014/3/6	Image id: 1032303	Catalogue: 20089	Model: L350F
Brand: Volvo	Serial: 1001-	Group/Section: 211/100	Title: Cylinder head with fitting parts



Volvo Construction
Equipment
1032303

Section option	Kit	Option description
VOE8188182		Engine D16ELAE3
VOE8188187		Engine D16E

Q1-Q5	Option	Option description	
Q1 ENG - 21775			
Q2 ENG 21776 -			

Pos	Part	Q1	Q2	Q3	Q4	Q5	PS	Kit	Description	Option(s)	Remark
1		1							Cylinder head		See ref 211/150
1			1						Cylinder head		See ref 211/200
2	VOE20725045	1	1						Gasket		
3	VOE1547040	38	38						Screw		ENG - 40338
	VOE21345129	38	38						Screw		ENG 40339 -
4	VOE20724250	6	6						Leaf Spring		
5	VOE20775507	12	12						Screw		

<https://www.ebooklibonline.com>

Hello dear friend!

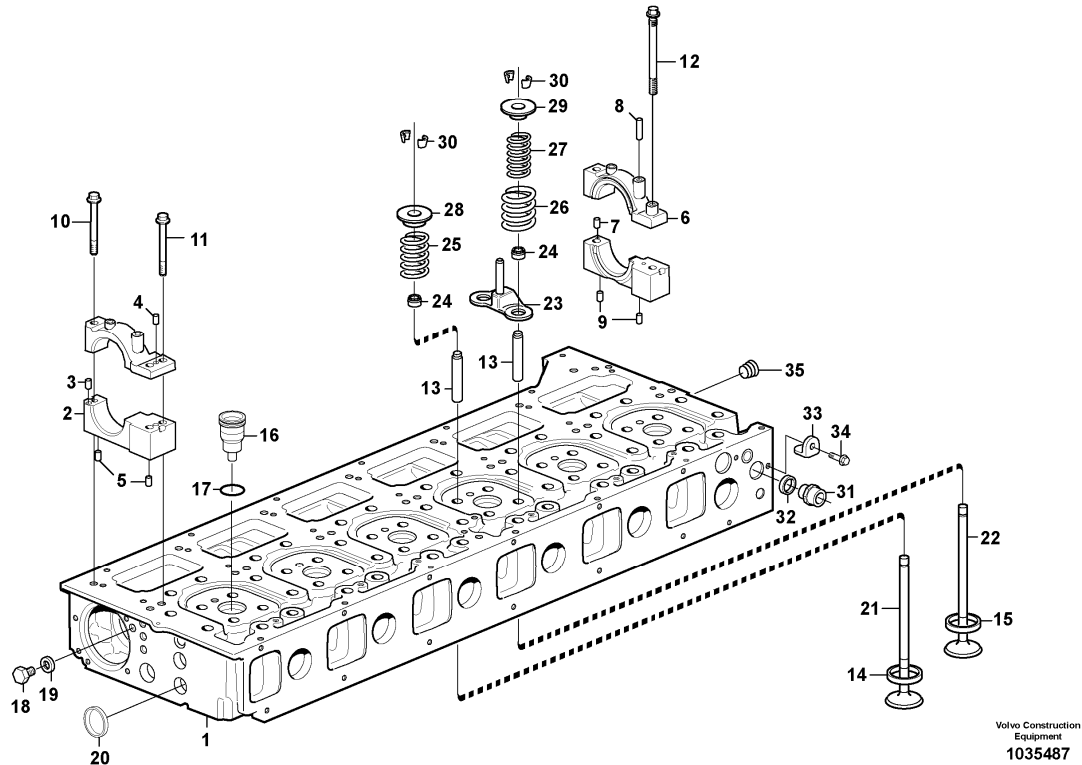
Thank you very much for reading.

Enter the link into your browser.

The full manual is available for immediate download.

<https://www.ebooklibonline.com>

Date: 2014/3/6	Image id: 1035487	Catalogue: 20089	Model: L350F
Brand: Volvo	Serial: 1001-	Group/Section: 211/150	Title: Cylinder head ENG - 21775



Volvo Construction
Equipment
1035487

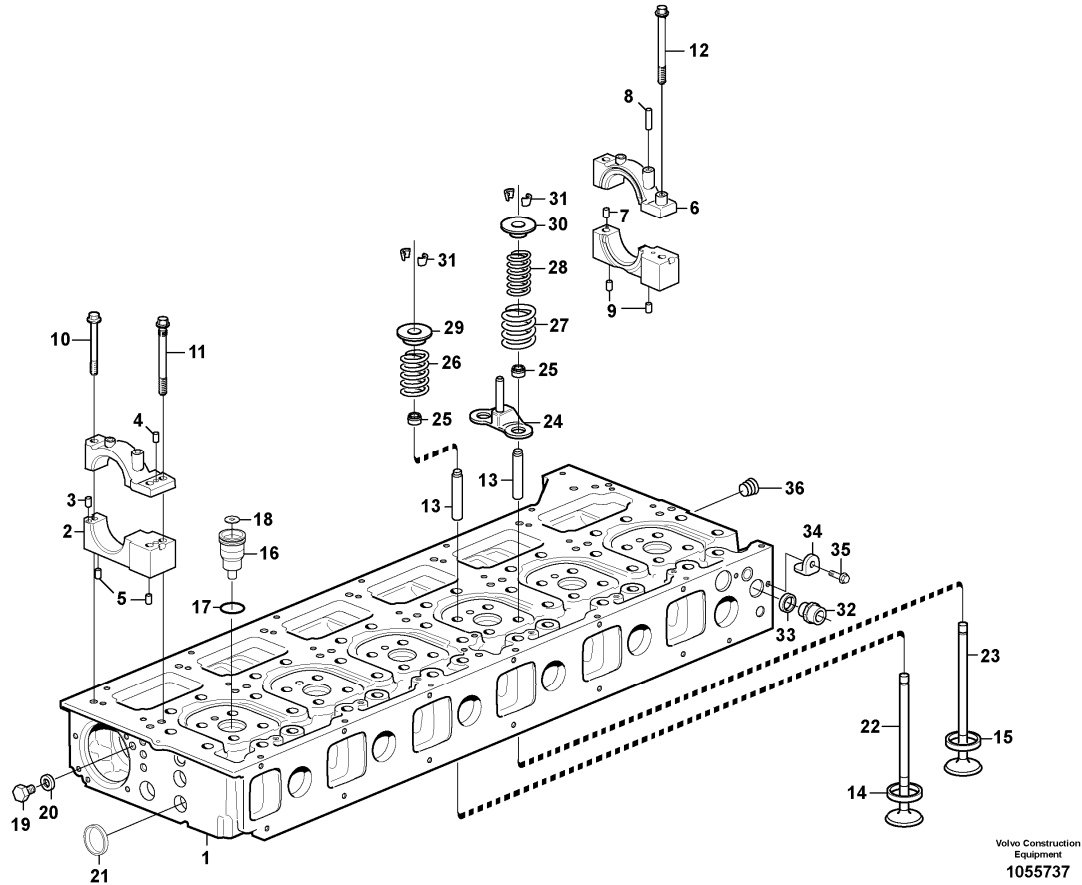
Section option	Kit	Option description
VOE8188182		Engine D16ELAE3

Pos	Part	Q1	Q2	Q3	Q4	Q5	PS	Kit	Description	Option(s)	Remark
	VOE21072139	1							Cylinder head		See footnote 1)
	VOE20742911	1					SE		•Cylinder head		
1	VOE20743237	1							••Cylinder head		
2	VOE20946882	6					NS		••Bearing Housing		
3	VOE950542	6							•••Pin		
4	VOE950550	6					NS		•••Pin		
5	VOE950562	12							•••Pin		
6	VOE20946876	1					NS		••Bearing Housing		
7	VOE950542	1							•••Pin		
8	VOE1636468	1					NS		•••Sleeve		
9	VOE950562	2							•••Pin		
10	VOE975105	7					SE		••Flange screw		

11	VOE20533693	12							••Screw		
12	VOE20412482	1							••Flange screw		
13	VOE21067953	24							••Valve guide		(VOE20916916)
14	VOE20709467	12							••Valve seat		
15	VOE20564028	12							••Valve seat		
16	VOE20750913	6					NS		••Sleeve		
17	VOE20536487	6							••O-ring		
18	VOE960628	1							•Plug		
19	VOE13947281	1							•Gasket		
20	VOE24426721	16							•Cap plug		OD = 29 MM
20	VOE24426722	6							•Cap plug		OD = 40 MM
20	VOE24426723	6							•Cap plug		OD = 50 MM
21	VOE20739057	12							•Inlet valve		INLET
22	VOE20513285	12							•Exhaust Valve		EXHAUST
23	VOE20554268	6							•Guide Pin		
24	VOE20924435	24							•Valve Seal		
25	VOE21326667	12							•Valve spring		
	VOE21591053	12							•Valve spring		
26	VOE21476570	12							••Valve spring		(VOE8131836)
27	VOE21324296	12							••Valve spring		(VOE8131837)
28	VOE8131328	12							•V Spr Washer		
29	VOE20551396	12							•V Spr Washer		
30	VOE8170995	48							•Valve cotter		
31	VOE20845995	1							•Plug		
32	VOE1547252	1							•Sealing ring		
33	VOE20844430	1							•Lock brace		
34	VOE947107	1							•Flange screw		
35	VOE13968062	1							•Plug		M14
35	VOE13968063	1							Plug		M16

1) Replacement version

Date: 2014/3/6	Image id: 1055737	Catalogue: 20089	Model: L350F
Brand: Volvo	Serial: 1001-	Group/Section: 211/200	Title: Cylinder head ENG 21776 -



Volvo Construction
Equipment
1055737

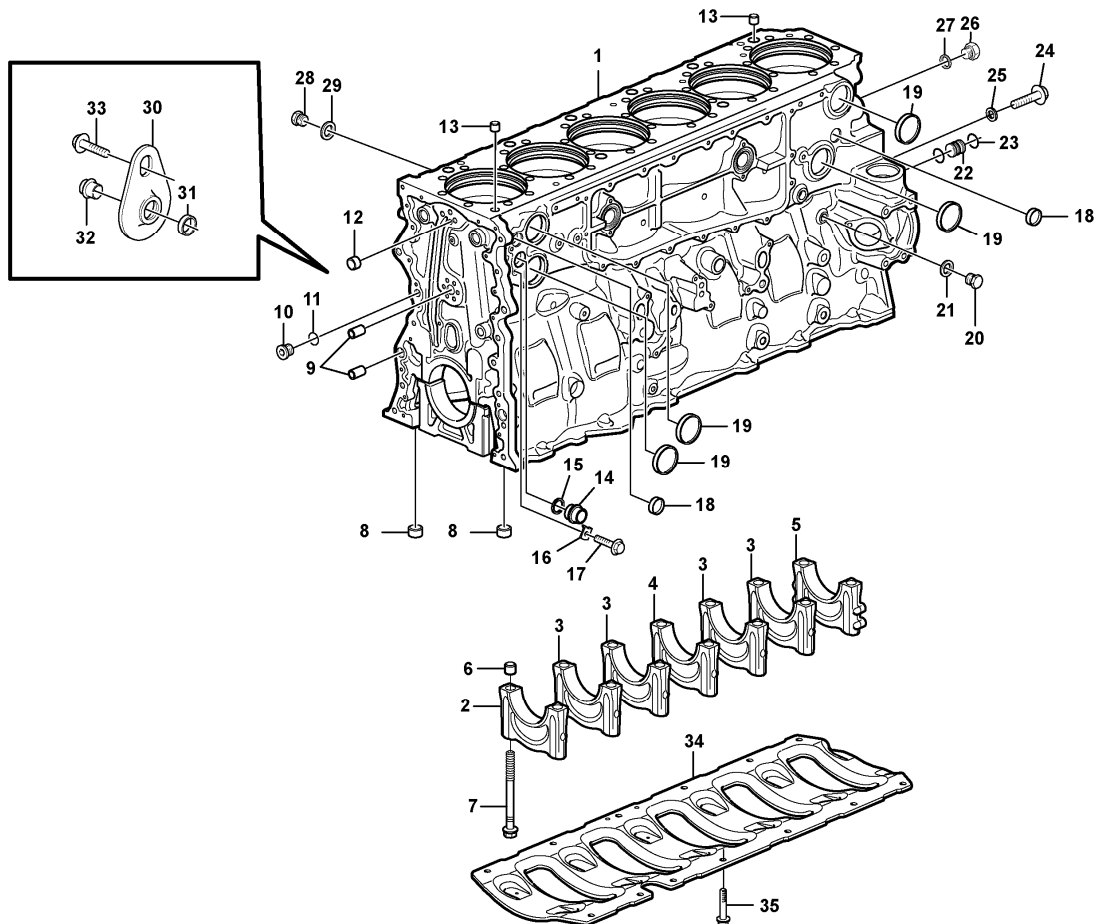
Section option	Kit	Option description
VOE8188187		Engine D16E

Pos	Part	Q1	Q2	Q3	Q4	Q5	PS	Kit	Description	Option(s)	Remark
	VOE21079401	1							Cylinder head		See footnote 1)
	VOE21079397	1					SE		•Cylinder head		
1	VOE20743237	1					NS		••Cylinder head		
2	VOE20946882	6					NS		••Bearing Housing		
3	VOE950542	6							•••Pin		
4	VOE950550	6					NS		•••Pin		
5	VOE950562	12							•••Pin		
6	VOE20946876	1					NS		••Bearing Housing		
7	VOE950542	1							•••Pin		
8	VOE1636468	1					NS		•••Sleeve		
9	VOE950562	2							•••Pin		
10	VOE975105	7					SE		••Flange screw		

11	VOE21344753	12							••Screw		
12	VOE20412482	1							••Flange screw		
13	VOE21067953	24							••Valve guide		
14	VOE20709467	12							••Valve seat		INLET
15	VOE20564028	12							••Valve seat		EXHAUST
	VOE21098621	6							••Sleeve		
16	VOE20981856	6							•••Sleeve		
17	VOE20536487	6							•••O-ring		
18	VOE21261987	6							•Gasket		
19	VOE960628	1							•Plug		
20	VOE13947281	1							•Gasket		
21	VOE24426721	16							•Cap plug		OD = 29 MM
	VOE24426722	6							•Cap plug		OD = 40 MM
	VOE24426723	6							•Cap plug		OD = 50 MM
22	VOE20739057	12							•Inlet valve		
23	VOE20513285	12							•Exhaust Valve		
24	VOE20554268	6							•Guide Pin		
25	VOE20924435	24							•Valve Seal		
26	VOE21326667	12							•Valve spring		INLET
	VOE21591053	12							•Valve spring		
27	VOE21476570	12							••Valve spring		EXHAUST, OUTER
28	VOE21324296	12							••Valve spring		EXHAUST, INNER
29	VOE8131328	12							•V Spr Washer		INLET
30	VOE20551396	12							•V Spr Washer		EXHAUST
31	VOE8170995	48							•Valve cotter		
32	VOE20845995	1							•Plug		
33	VOE1547252	1							•Sealing ring		
34	VOE20844430	1							•Lock brace		
35	VOE947107	1							•Flange screw		
36	VOE13968062	1							•Plug		

1) Replacement version

Date: 2014/3/6	Image id: 1043864	Catalogue: 20089	Model: L350F
Brand: Volvo	Serial: 1001-	Group/Section: 212/100	Title: Cylinder block



Volvo Construction
Equipment
1043864

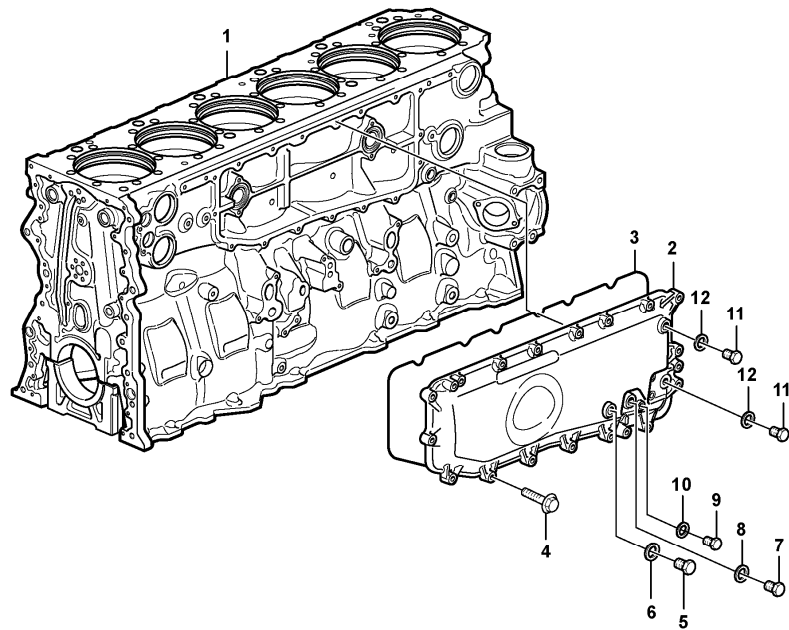
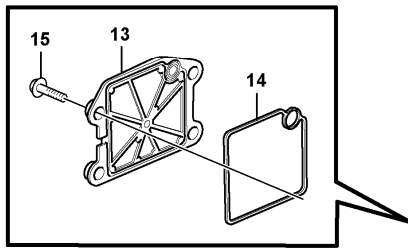
Section option	Kit	Option description
VOE8188182		Engine D16ELAE3
VOE8188187		Engine D16E

Q1-Q5	Option	Option description
Q1 ENG - 30697		
Q2 ENG 30698 -		

Pos	Part	Q1	Q2	Q3	Q4	Q5	PS	Kit	Description	Option(s)	Remark
	VOE21341905	1							Cylinder block		(VOE20742700)
	VOE21341905		1						Cylinder block		(VOE21168777)
1	VOE20744170	1					NS		•Cylinder Block		
1	VOE21168785		1				NS		•Cylinder Block		
2	VOE20756160	1	1				NS		•Main Bearing Cap		
3	VOE20756161	4	4				NS		•Main Bearing Cap		
4	VOE20756162	1	1				NS		•Main Bearing Cap		

5	VOE20756163	1	1				NS		•Main Bearing Cap		
6	VOE8131967	14	14						•Guide Sleeve		
7	VOE20581443	14	14						•Screw		
8	VOE417588	2	2						Guide sleeve		
9	VOE8131145	2	2						Guide sleeve		
10	VOE20529445	2	2				NS		Plug		
10	VOE13968610	2	2						•Plug		M18
11	VOE13976109	2	2						•O-ring		
12	VOE950588	1	1						Pin		
13	VOE20485996	2	2						Guide sleeve		
14	VOE20381177	1	1						Plug		OD = 28 MM
15	VOE471708	1	1						Sealing ring		
16	VOE20844430	1	1						Lock brace		
17	VOE946440	1	1						Flange screw		
18	VOE24426721	2	2						Cap plug		OD = 29 MM
19	VOE8131937	4	4						Plug		OD = 62 MM
20	VOE960631	1	1						Plug		M16
21	VOE13947622	1	1						Plane gasket		
22	VOE20562189	2	2						Plug		
22	VOE20478457	2	2				NS		•Plug		OD = 16,7 MM
23	VOE466922	4	4						•Sealing ring		
24	VOE13966378	1	1						Flange screw		
25	VOE11117464	1	1						Washer		
26	VOE960632	1	1						Plug		M18
27	VOE21024032	1	1						Sealing ring		
28	VOE960629	1	1						Plug		M12
29	VOE13947282	1	1						Gasket		
30	VOE20740148	1	1				NS		Yoke		
31	VOE1547255	1	1						Sealing ring		
32	VOE20567779	1	1						Plug		OD = 32 MM
33	VOE946440	1	1						Flange screw		
34	VOE20722628	1	1						Frame		
35	VOE975110	13	13						Flange screw		

Date: 2014/3/6	Image id: 1043871	Catalogue: 20089	Model: L350F
Brand: Volvo	Serial: 1001-	Group/Section: 212/150	Title: Cylinder block



Volvo Construction
Equipment
1043871

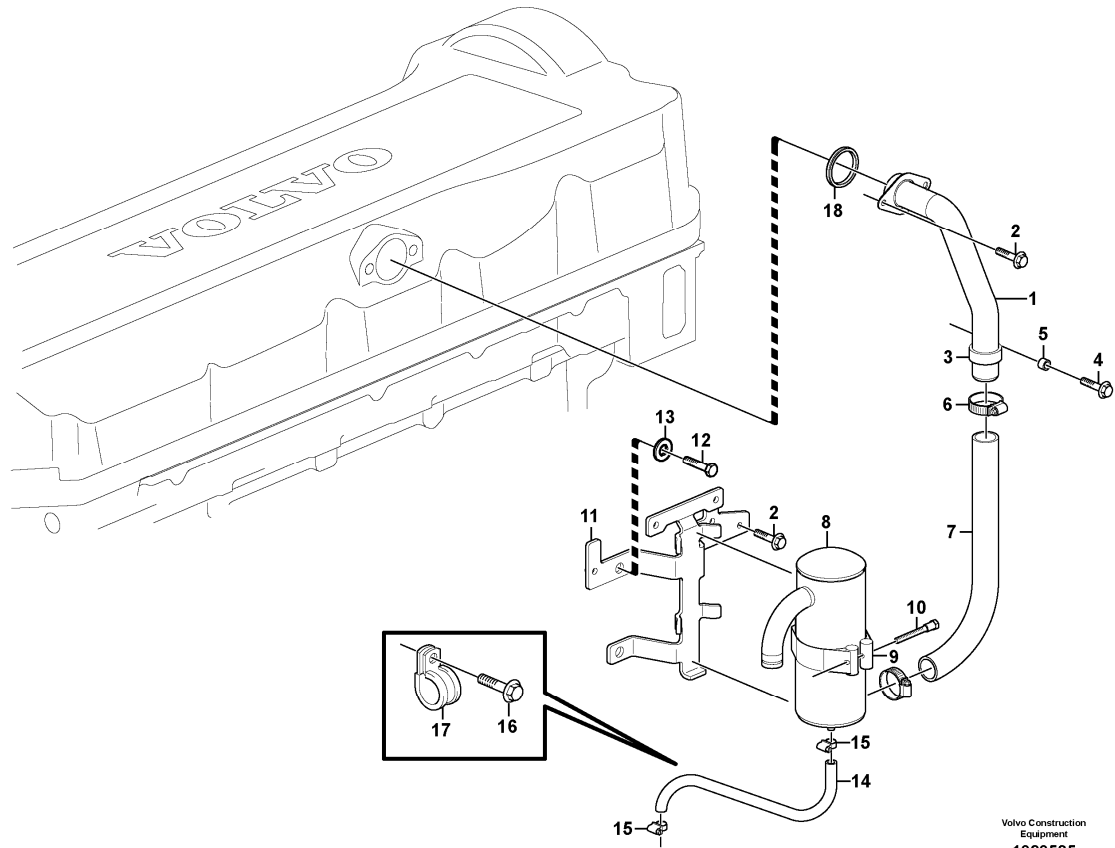
Section option	Kit	Option description
VOE8188182		Engine D16ELAE3
VOE8188187		Engine D16E

Q1-Q5	Option	Option description
Q1 ENG - 22855		
Q2 ENG 22856 -		

Pos	Part	Q1	Q2	Q3	Q4	Q5	PS	Kit	Description	Option(s)	Remark
1		1	1						Cylinder Block		See ref 212/100
2	VOE21100906	1					SS		Cover		(VOE20746923)
2	VOE21100906		1				SS		Cover		
3	VOE21193230	1					SS		•Sealing		(VOE20746919)
3	VOE21193230		1				SS		•Sealing		
4	VOE13947760	12	12						Screw		L = 40 MM
4	VOE13965179	5	5						Screw		L = 50 MM

5	VOE960632	1	1						Plug		M18
6	VOE21024032	1	1						Sealing ring		
7	VOE960631	1	1						Plug		M16
8	VOE13947622	1	1						Plane gasket		
9	VOE960629	1	1						Plug		M12
10	VOE13947282	1	1						Gasket		
11	VOE960630	2	2						Plug		M14
12	VOE13969011	2	2						Gasket		
13	VOE20533497	1	1						Cover		
14	VOE20532891	1	1						Gasket		
15	VOE946671	4	4						Flange screw		

Date: 2014/3/6	Image id: 1020585	Catalogue: 20089	Model: L350F
Brand: Volvo	Serial: 1001-	Group/Section: 212/200	Title: Crankcase ventilation 8188182, 8188187



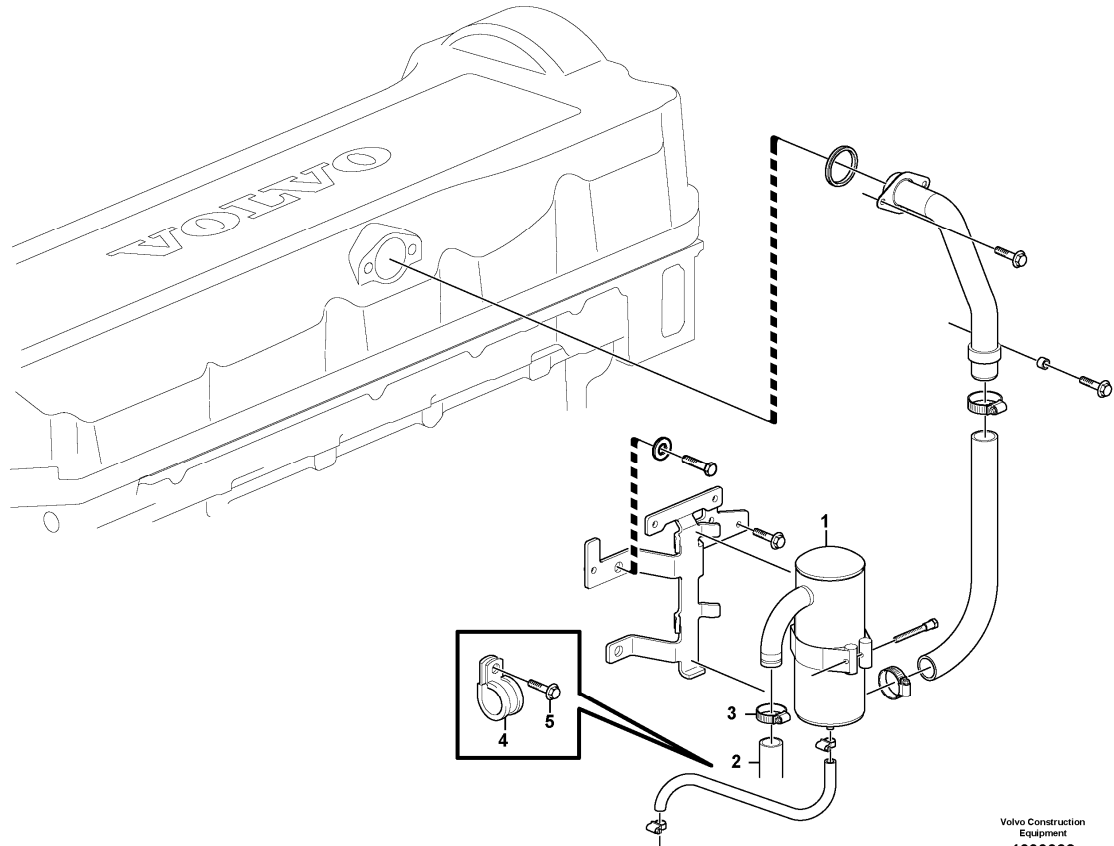
Volvo Construction
Equipment
1020585

Section option	Kit	Option description
VOE8188182		Engine D16ELAE3
VOE8188187		Engine D16E

Pos	Part	Q1	Q2	Q3	Q4	Q5	PS	Kit	Description	Option(s)	Remark
1	VOE11158406	1							Breather pipe		
2	VOE946440	2							Flange screw		
3	VOE981904	1							Clamp		(VOE941976)
4	VOE946671	1							Flange screw		
5	VOE847150	1							Spacer sleeve		
6	VOE943476	2							Hose clamp		ENG - 42845
6	VOE994561	2							Hose clamp		ENG 42846 -
7	VOE15136076	1							Hose		
8	VOE11033878	1							Oil trap		
9	VOE1545256	1							Tensioning Band		ENG - 32718
9	VOE420914	1							Tensioning Band		ENG 32719 -

10	VOE1545257	1							Screw		
11	VOE11158445	1					NS		Bracket		
12	VOE955362	2							Hexagon screw		
13	VOE941912	2							Spring washer		
14	VOE983342	REQ							Hose		L = 560 MM
15	VOE943470	2							Hose clamp		ENG - 42845
15	VOE994556	2							Hose clamp		ENG 42846 -
16	VOE946440	1							Flange screw		
17	VOE13949747	1							Clamp		
18	VOE20723207	1							Sealing ring		

Date: 2014/3/6	Image id: 1030398	Catalogue: 20089	Model: L350F
Brand: Volvo	Serial: 1001-	Group/Section: 212/250	Title: Crankcase ventilation 31713

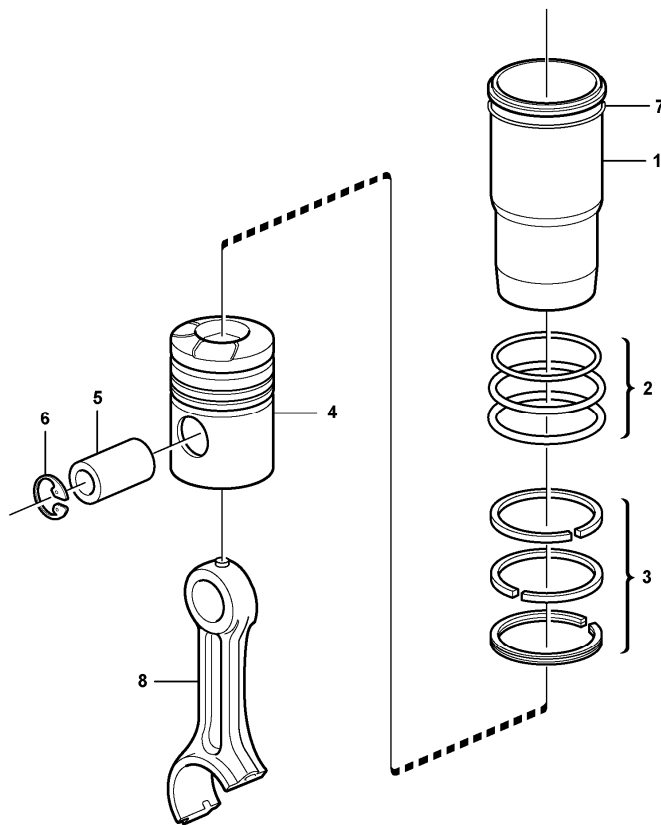


Volvo Construction
Equipment
1030398

Section option	Kit	Option description
VOE31713		Wheel Loader L350F

Pos	Part	Q1	Q2	Q3	Q4	Q5	PS	Kit	Description	Option(s)	Remark
1		1							Oil Trap		See ref 212/200
2	VOE927661	REQ							Rubber hose		L = 1200 MM
3	VOE943475	1							Hose clamp		
4	VOE981904	2							Clamp		
5	VOE946440	1							Flange screw		

Date: 2014/3/6	Image id: 1032619	Catalogue: 20089	Model: L350F
Brand: Volvo	Serial: 1001-	Group/Section: 213/100	Title: Cylinder liner and piston



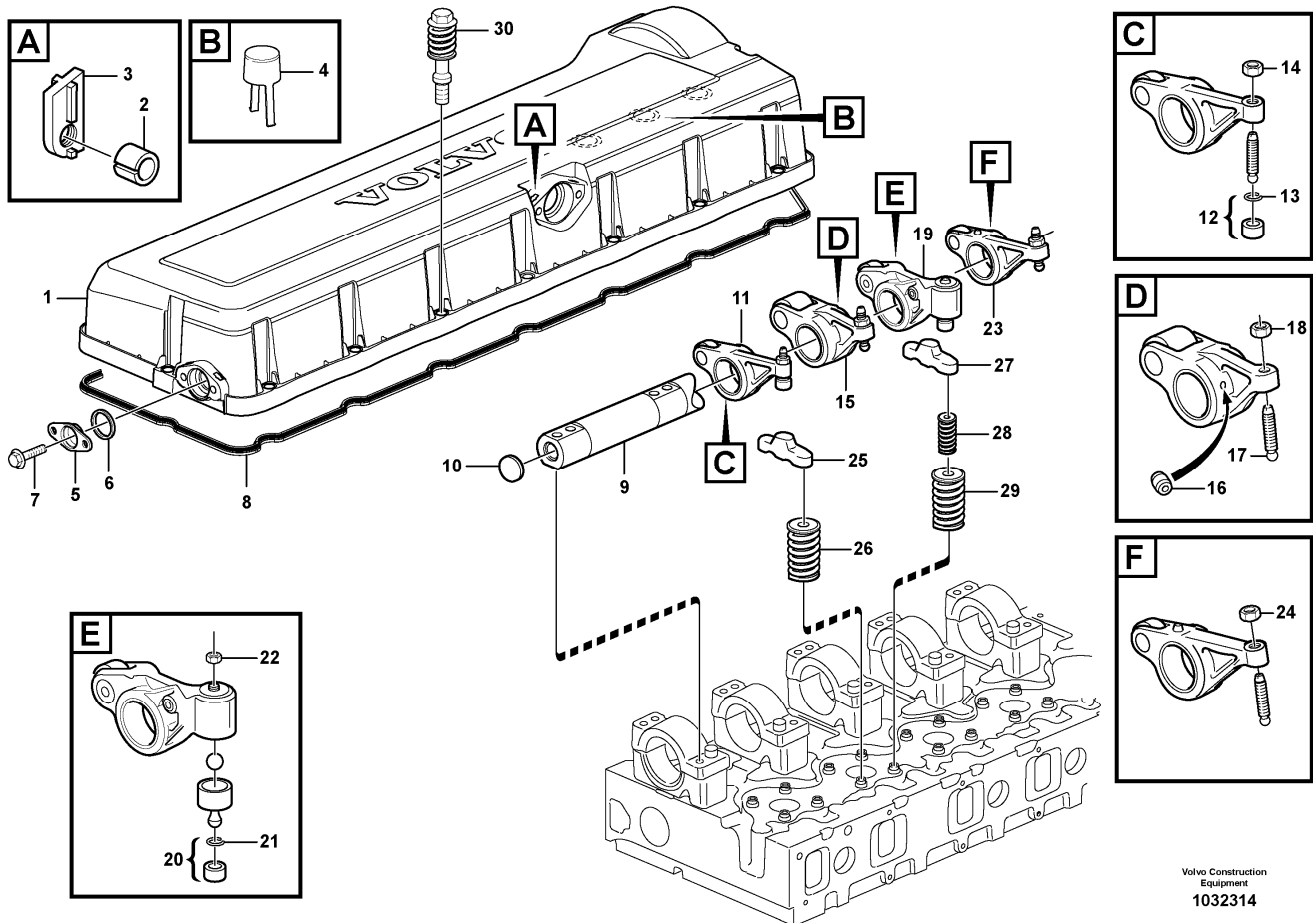
Volvo Construction
Equipment
1032619

Section option	Kit	Option description
VOE8188182		Engine D16ELAE3
VOE8188187		Engine D16E

Pos	Part	Q1	Q2	Q3	Q4	Q5	PS	Kit	Description	Option(s)	Remark
	VOE20966749	6							Cyl Liner Kit		
1	VOE20737361	6					NS		•Cylinder Liner		
2	VOE20520607	6							•Seg Ring Kit		
	VOE8131248	6					NS		••Sealing ring		LOWER/TOP
	VOE1543501	6					NS		••Sealing ring		UPPER
	VOE1698135	6					NS		••Oil		
	VOE8131249	6					NS		••Sealing ring		LOWER/BOTTOM
3	VOE21010337	6							•Piston Ring Kit		
	VOE8131233	6					NS		••Compression ring		UPPER
	VOE8131234	6					NS		••Compression ring		LOWER
	VOE8131235	6					NS		••Oil scraper ring		

4	VOE20945718	6					NS		•Piston		
5	VOE20521400	6							•Piston Pin		
6	VOE945483	12							•Retaining ring		
7	VOE20523555	1							Shim		THICK = 0,2 MM
7	VOE20523556	1							Shim		THICK = 0,3 MM
7	VOE20523557	1							Shim		THICK = 0,5 MM
8		1							Connecting rod		See ref 216/100

Date: 2014/3/6	Image id: 1032314	Catalogue: 20089	Model: L350F
Brand: Volvo	Serial: 1001-	Group/Section: 214/100	Title: Valve mechanism 8188182, 8188187 ENG - 37829



Section option	Kit	Option description
VOE8188182		Engine D16ELAE3
VOE8188187		Engine D16E

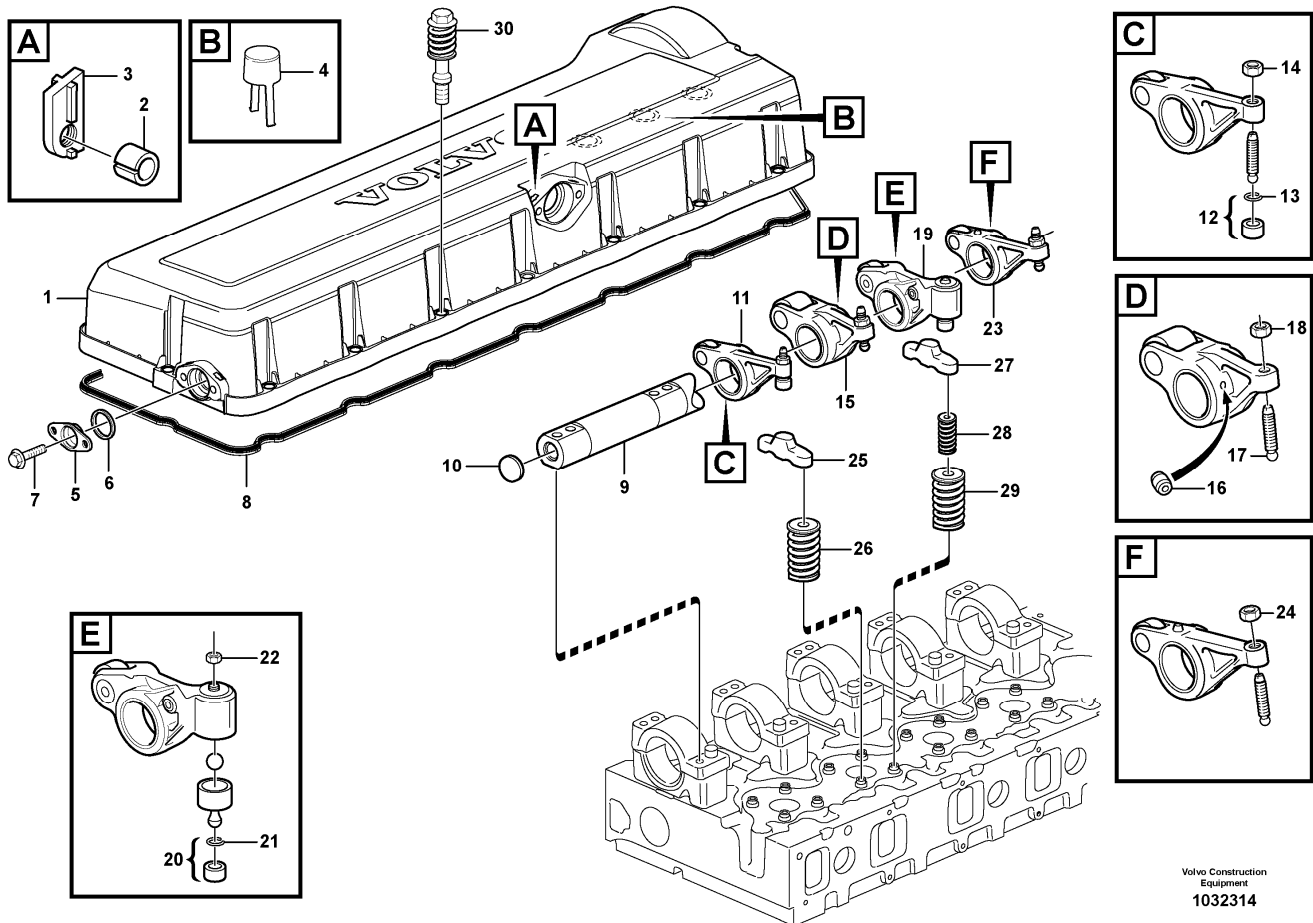
Q1-Q5	Option	Option description	
Q1 ENG - 23406			
Q2 ENG 23407 - 24035			
Q3 ENG 24036 - 37829			

Pos	Part	Q1	Q2	Q3	Q4	Q5	PS	Kit	Description	Option(s)	Remark
1	VOE20709580	1	1	1					Valve Cover		
1	VOE20756243	1	1	1			NS		•Cover		
2	VOE20450320	4	4	4					•Spacer sleeve		
3	VOE24427518	4	4	4					•Nut washer		

4	VOE8131751	3	3	3					•Draining bowl		
5	VOE3964803	1	1	1					Plug		
6	VOE20555696	1	1	1					Sealing ring		
7	VOE946440	2	2	2					Flange screw		
8	VOE20736230	1	1	1					Sealing strip		
9	VOE24426580	1	1	1					Rkr Arm Shaft		
10	VOE980176	2	2	2					•Expansion plug		
11	VOE21282708	6	6	6					Rocker arm		(VOE20964530)INLET
12	VOE21054149	6	6	6					•Ball socket		
13	VOE944364	6	6	6					••O-ring		
14	VOE13946911	6	6	6					•Nut		
	VOE20731777	6	6	6					•Bushing		See footnote 2624)
15	VOE21132292	6	6	6					Rocker arm		INJECTOR
16	VOE3964817	12	12	12					•Jet		
17	VOE20501057	6	6	6					•Adjusting Screw		
18	VOE1677396	6	6	6					•Hexagon nut		
19	VOE20925515	6	6				SS		Rocker Arm		EXHAUST
19	VOE21281393			6					Rocker arm		EHAUST
20	VOE20441753	6	6						•Ball socket		
20	VOE21054149			6					•Ball socket		
21	VOE944364	6	6	6					••O-ring		
22	VOE13946911	6	6	6					••Nut		
	VOE20808204	6	6				SS		•Bushing		See footnote 2624)
	VOE21132337			6					•Bushing		See footnote 2624)
23	VOE20724246	6							Rocker Arm		
23	VOE21132342		6	6					Rocker arm		
24	VOE1677396	6	6	6					•Hexagon nut		
	VOE21132344		6	6					•Bushing		See footnote 2624)
	VOE1546046		6	6					•Bushing		See footnote 2624)
25	VOE21061323	6	6	6					Valve bridge		(VOE20463791)
26		12	12	12					Valve Spring		See ref 211/150
											See ref 211/200
27	VOE20857578	6	6	6					Valve Caliper		
28		12	12	12					Valve Spring		See ref 211/150
											See ref 211/200
29		12	12	12					Valve Spring		See ref 211/150
											See ref 211/200
30	VOE20538726	17	17	17					Flange screw		ENG - 32107
30	VOE20739547			17					Flange screw		ENG 32108 -

2624) Not Shown

Date: 2014/3/6	Image id: 1032314	Catalogue: 20089	Model: L350F
Brand: Volvo	Serial: 1001-	Group/Section: 214/125	Title: Valve mechanism 8188187 ENG 37830 -



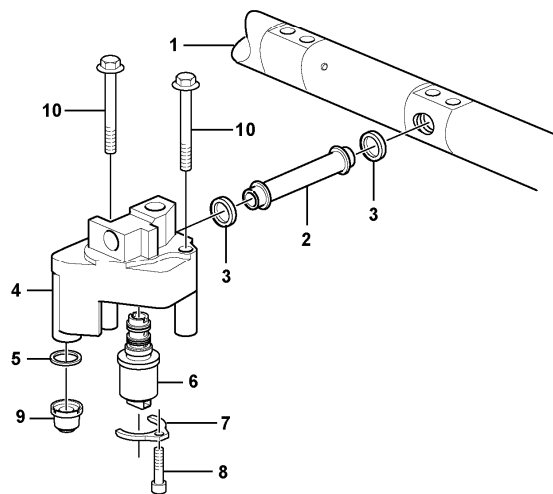
Volvo Construction
Equipment
1032314

Section option	Kit	Option description
VOE8188187		Engine D16E

Pos	Part	Q1	Q2	Q3	Q4	Q5	PS	Kit	Description	Option(s)	Remark
1	VOE20709580	1							Valve Cover		
1	VOE20756243	1					NS		•Cover		
2	VOE20450320	4							•Spacer sleeve		
3	VOE24427518	4							•Nut washer		
4	VOE8131751	3							•Draining bowl		
5	VOE3964803	1							Plug		
6	VOE20555696	1							Sealing ring		
7	VOE946440	2							Flange screw		
8	VOE20736230	1							Sealing strip		
9	VOE24426580	1							Rkr Arm Shaft		
10	VOE980176	2							•Expansion plug		
11	VOE21282708	6							Rocker arm		INLET

12	VOE21054149	6							•Ball socket		
13	VOE944364	6							••O-ring		
14	VOE13946911	6							•Nut		
15	VOE21132292	6							Rocker arm		INJECTOR
16	VOE3964817	12							•Jet		
17	VOE20501057	6							•Adjusting Screw		
18	VOE1677396	6							•Hexagon nut		
19	VOE21281393	6							Rocker arm		EHAUST
20	VOE21054149	6							•Ball socket		
21	VOE944364	6							••O-ring		
22	VOE13946911	6							••Nut		
23	VOE21132342	6							Rocker arm		
24	VOE1677396	6							•Hexagon nut		
25	VOE21061323	6							Valve bridge		(VOE20463791)
26		12							Valve Spring		See ref 211/200
27	VOE20857578	6							Valve Caliper		
28		12							Valve Spring		See ref 211/200
29		12							Valve Spring		See ref 211/200
30	VOE20739547	17							Flange screw		

Date: 2014/3/6	Image id: 1032339	Catalogue: 20089	Model: L350F
Brand: Volvo	Serial: 1001-	Group/Section: 214/150	Title: Control valve

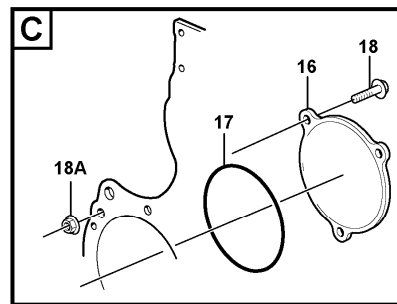
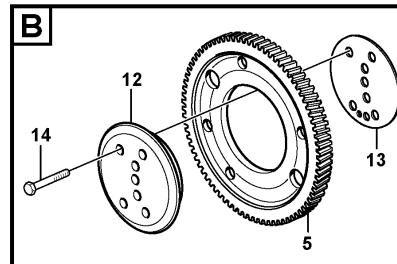
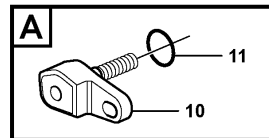
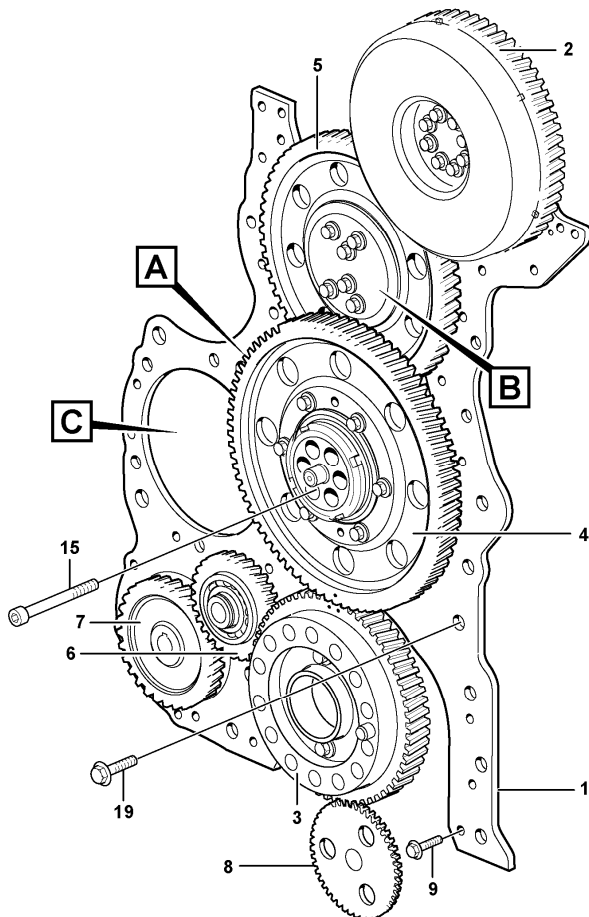


Volvo Construction
Equipment
1032339

Section option	Kit	Option description
VOE8188182		Engine D16ELAE3
VOE8188187		Engine D16E

Pos	Part	Q1	Q2	Q3	Q4	Q5	PS	Kit	Description	Option(s)	Remark
1		1							Rkr Arm Shaft		See ref 214/100
2	VOE20571452	1							Outlet Pipe		
3	VOE1677370	2							Sealing ring		
	VOE21452473	1							Control valve		
4	VOE20713422	1					NS		•Housing		
5	VOE20526428	1							•Sealing ring		
6	VOE20574690	1					OP		•Control valve		
7	VOE20574694	1					OP		•Clip		
8	VOE20574688	1					OP		•Screw		
9	VOE20775471	1							Spacer Sleeve		
10	VOE969225	2							Flange screw		

Date: 2014/3/6	Image id: 1043890	Catalogue: 20089	Model: L350F
Brand: Volvo	Serial: 1001-	Group/Section: 215/100	Title: Timing gear casing and gears



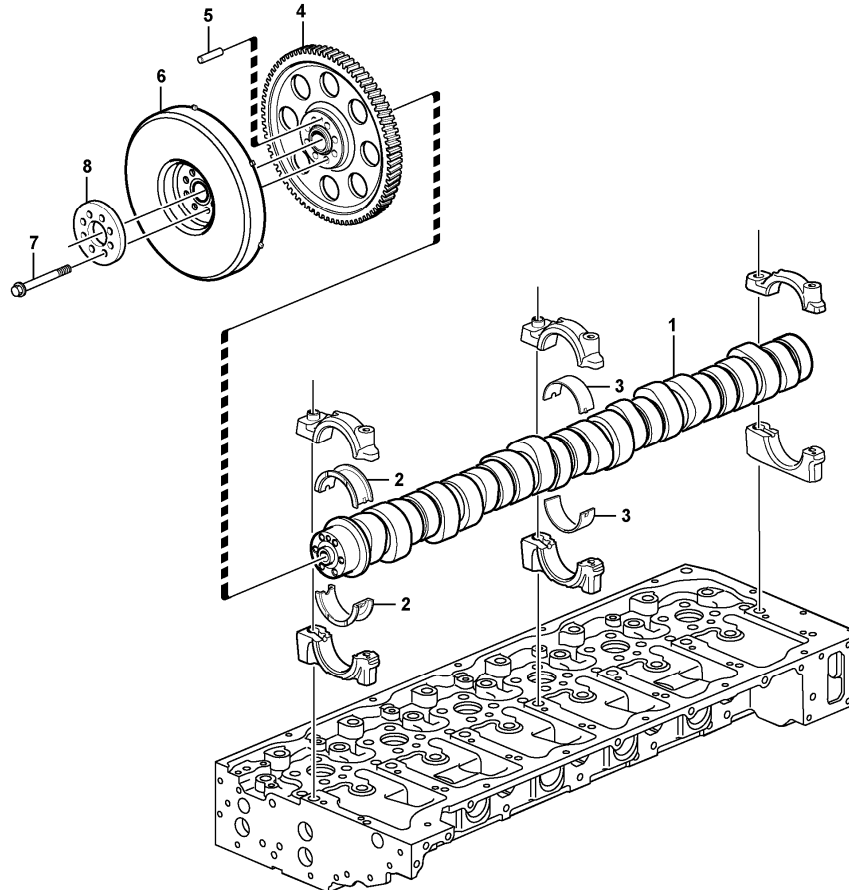
Volvo Construction
Equipment
1043890

Section option	Kit	Option description
VOE8188182		Engine D16ELAE3
VOE8188187		Engine D16E

Pos	Part	Q1	Q2	Q3	Q4	Q5	PS	Kit	Description	Option(s)	Remark
1	VOE20854044	1							Xmsn Plate		ENG - 38232
1	VOE21208277	1							Timing gear plate		ENG 38233 -
2		1							Gear		CAMSHAFT See ref 215/150
3		1							Gear		CRANKSHAFT See ref 216/100
4	VOE21057442	1							Idler gear		
5	VOE20743007	1							Idler Gear		
6	VOE20912432	1							Idler Gear		ENG - 39135
	VOE914465	1							•Retaining ring		
6	VOE21284699	1							Idler gear		ENG 39136 -

	VOE914465	1							•Retaining ring		
6	VOE13949656	1							O-ring		
7		1							Gear		FUEL PUMP See ref 235/200
8		1							Gear		OIL PUMP See ref 221/100
9	VOE13945444	25							Screw		
10	VOE20531962	1							Screw		
11	VOE943177	1							O-ring		
12	VOE21034938	1					SS		Hub		ENG - 24080
12	VOE21012985	1							Hub		ENG 24081 -
13	VOE8131850	1							Thrust washer		
14	VOE21015266	6							Flange screw		
15	VOE20483919	6							Hex. socket screw		
16	VOE3589530	1							Cover		AIR COMPRESSOR
17	VOE992065	1							O-ring		
18	VOE13965192	2							Screw		
18A	VOE979230	1							Flange nut		
19	VOE983762	1							Hex. socket screw		

Date: 2014/3/6	Image id: 1019613	Catalogue: 20089	Model: L350F
Brand: Volvo	Serial: 1001-	Group/Section: 215/150	Title: Camshaft



Volvo Construction
Equipment
1019613

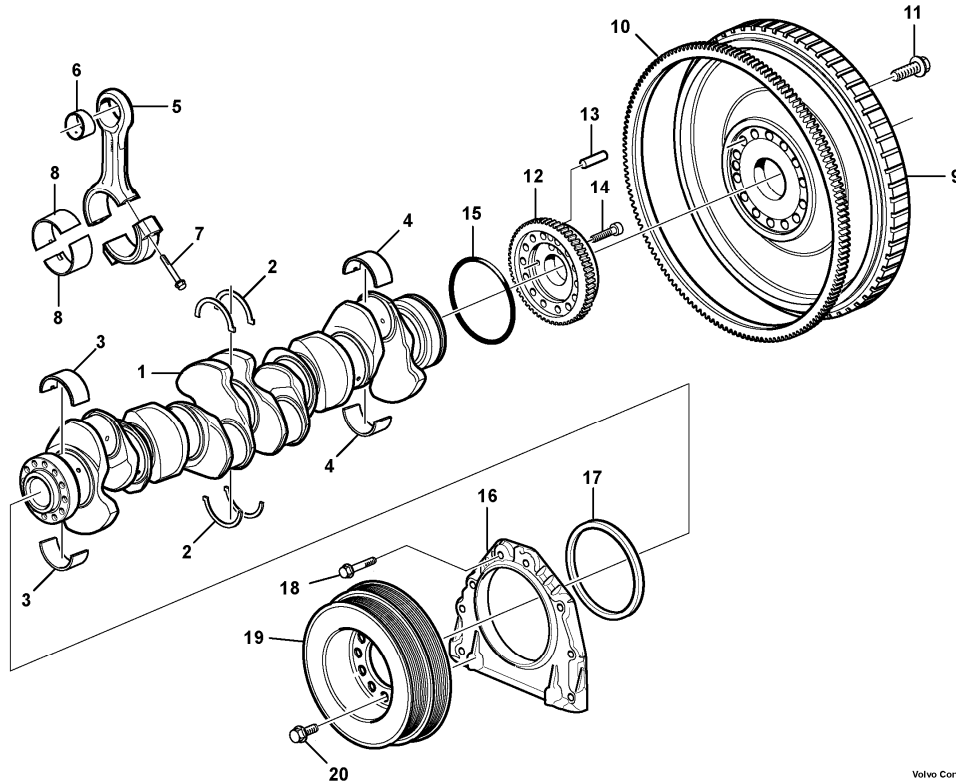
Section option	Kit	Option description
VOE8188182		Engine D16ELAE3
VOE8188187		Engine D16E

Q1-Q5	Option	Option description	
Q1 8188182	VOE8188182	Engine D16ELAE3	
Q2 8188187	VOE8188187	Engine D16E	

Pos	Part	Q1	Q2	Q3	Q4	Q5	PS	Kit	Description	Option(s)	Remark
1	VOE20950809	1	1						Camshaft		
2	VOE21006109	1	1						Bearing shell kit		
3	VOE21006103	6	6						Bearing shell kit		
4	VOE20891469	1							Gear		(VOE20888560)
4	VOE20801971		1						Gear		
5	VOE950553	1							•Pin		
5	VOE950656		1				NS		•Pin		

6	VOE20888623	1							Vibration Dampe		
6	VOE20888623		1						Vibration Dampe		ENG - 27619
6	VOE21004214		1				SS		Vibration damper		ENG 27620 -
7	VOE8192804	8	8						Screw		
8	VOE20878608	1	1						Spacer		ENG - 40669
	VOE21294882		1						Spacer		ENG 40670 -

Date: 2014/3/6	Image id: 1019626	Catalogue: 20089	Model: L350F
Brand: Volvo	Serial: 1001-	Group/Section: 216/100	Title: Crankshaft and related parts



Volvo Construction
Equipment
1019626

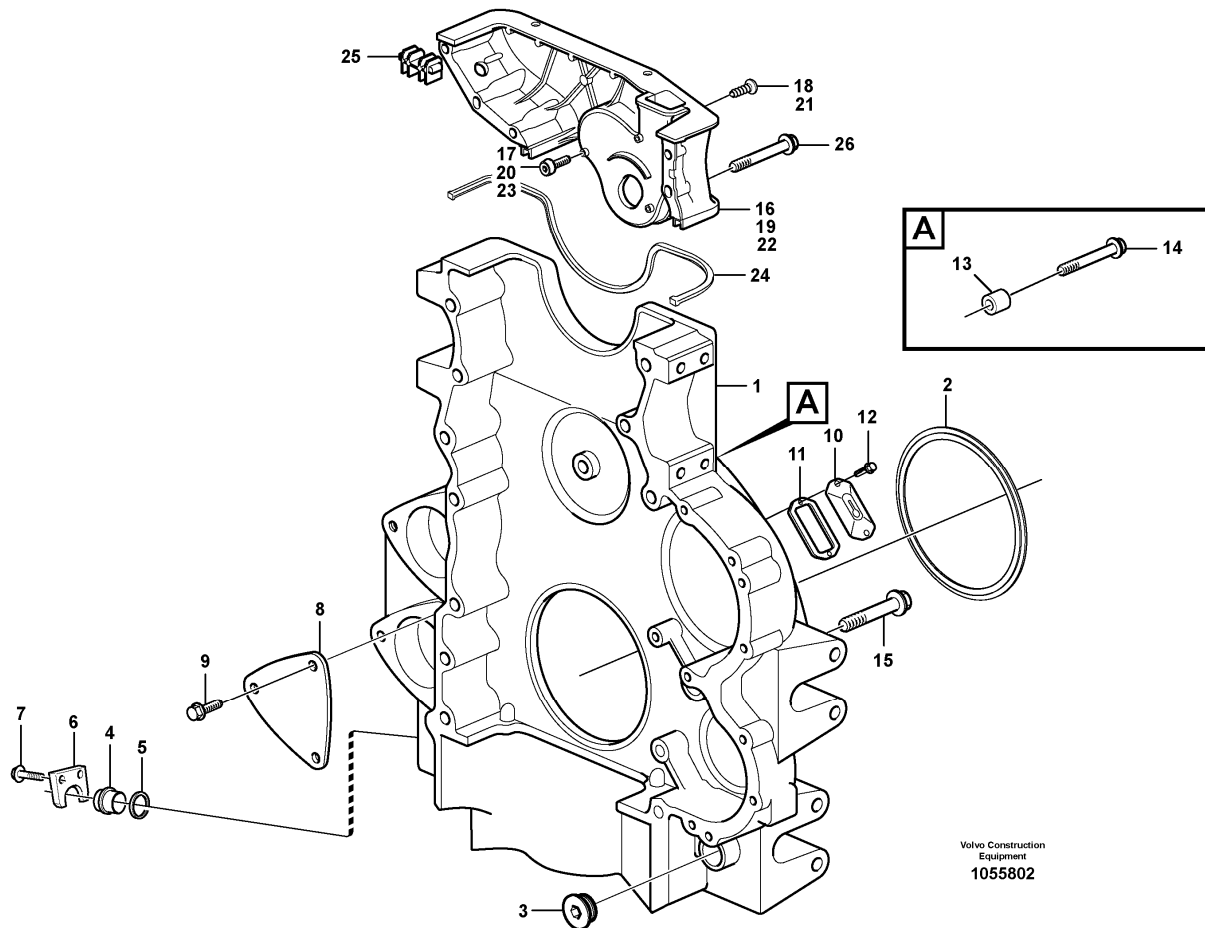
Section option	Kit	Option description
VOE8188182		Engine D16ELAE3
VOE8188187		Engine D16E

Q1-Q5	Option	Option description
Q1 ENG - 38171		
Q2 ENG 38172 -		

Pos	Part	Q1	Q2	Q3	Q4	Q5	PS	Kit	Description	Option(s)	Remark
1	VOE8131247	1	1						Crankshaft		
2	VOE270929	1	1						Thrust washer kit		STD
2	VOE270930	1	1						Thrust washer kit		0,1 O SZ
2	VOE270931	1	1						Thrust washer kit		0,2 O SZ
2	VOE270932	1	1						Thrust washer kit		0,3 O SZ
3	VOE20578851	6	6						Main Bearing		STD. 1 - 6
3	VOE20700881	6	6						Main Bearing		0,25 U SZ

3	VOE20700882	6	6					Main Bearing		0,50 U SZ
3	VOE20700885	6	6				OP	Main Bearing		0,75 U SZ
3	VOE20700886	6	6					Main Bearing		1,00 U SZ
3	VOE20700887	6	6				OP	Main Bearing		1,25 U SZ
4	VOE20578853	1	1					Main Bearing		STD. 7
4	VOE20700890	1	1					Main Bearing		0,25 U SZ
4	VOE20700891	1	1					Main Bearing		0,50 U SZ
4	VOE20700892	1	1				OP	Main Bearing		0,75 U SZ
4	VOE20700893	1	1					Main Bearing		1,00 U SZ
4	VOE20700895	1	1				OP	Main Bearing		1,25 U SZ
5	VOE20898595	1	1					Connecting rod		
6		6	6				NS	•Bushing		
7	VOE8131198	24	24					•Screw		
8	VOE20586602	6	6					Bearing Shell		STD
8	VOE20586603	6	6					Bearing Shell		0,25 U SZ
8	VOE20586604	6	6					Bearing Shell		0,50 U SZ
8	VOE20586605	6	6				OP	Bearing shell		0,75 U SZ
8	VOE20586606	6	6					Bearing Shell		1,00 U SZ
8	VOE20586607	6	6				OP	Bearing shell		1,25 U SZ
9	VOE11158004	1	1					Flywheel		
10	VOE20711957	1	1					•Ring gear		
11	VOE20741747	14	14					Screw		ENG - 39708
11	VOE21344746		14					Screw		ENG 39709 -
12	VOE20801971	1	1					Gear		
13	VOE950656	1	1				NS	•Pin		
14	VOE13947760	2	2					Screw		
15	VOE20441481	1	1					Crankshaft seal		
16	VOE20777233	1						Cover		
16	VOE21054681		1					Cover		
17	VOE85108423	1						•Crankshaft seal		(VOE1549398)
17	VOE21347087		1					•Crankshaft seal		
18	VOE946671	8	8					Flange screw		
19	VOE20585893	1	1					Vibration damper		(VOE20907364)ENG - 42018
	VOE20585893		1					Vibration damper		ENG 42019 -
20	VOE13965191	12	12					Screw		

Date: 2014/3/6	Image id: 1055802	Catalogue: 20089	Model: L350F
Brand: Volvo	Serial: 1001-	Group/Section: 216/150	Title: Flywheel housing



Volvo Construction
Equipment
1055802

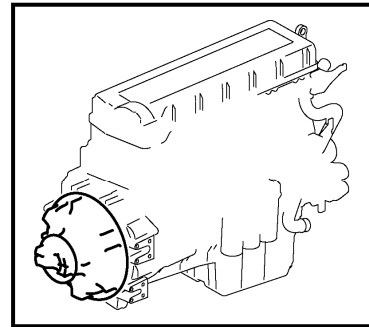
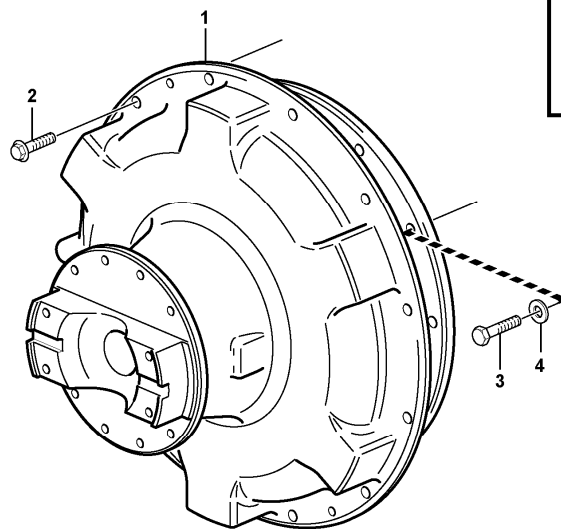
Section option	Kit	Option description
VOE8188182		Engine D16ELAE3
VOE8188187		Engine D16E

Q1-Q5	Option	Option description
Q1 8188182	VOE8188182	Engine D16ELAE3
Q2 8188187	VOE8188187	Engine D16E

Pos	Part	Q1	Q2	Q3	Q4	Q5	PS	Kit	Description	Option(s)	Remark
1	VOE3837974	1	1						Flywheel Hsg		ENG - 24616
1	VOE3848533	1	1						Flywheel housing		ENG 24617 - 41371
1	VOE21193778		1						Flywheel housing		ENG 41372 -
2	VOE1543896	1	1						Sealing ring		
3	VOE15134976	1	1						Plug		
4	VOE11031785	1	1						Plug		
5	VOE421158	1	1						Sealing ring		

6	VOE11031769	1	1						Lock washer		
7	VOE13966378	2	2						Flange screw		
8	VOE849135	1	1					OP	Cover		
9	VOE946502	3	3						Flange screw		
10	VOE4772168	1	1						Cover		
11	VOE4804167	1	1						Gasket		
12	VOE13946934	2	2						Screw		
13	VOE13948871	5	5						Spacer washer		
14	VOE946671	5	5						Flange screw		
15	VOE13965189	5							Screw		M10 x 90 MM
15	VOE13965189		5						Screw		ENG - 30697 M10 x 90 MM
15	VOE13965189		3						Screw		ENG 30698 - M10 x 90 MM
15	VOE969313		2						Flange screw		M10 x 110 MM
15	VOE13966366	6	6						Flange screw		M14 x 90 MM
15	VOE13966367	1	1						Flange screw		M14 x 100 MM
15	VOE975130		2						Flange screw		M16 x 120 MM
16	VOE20853452	1							Timing gear cover		
17	VOE940326	4							•Allen Hd Screw		
18	VOE13972399	5							•Six point socket screw		
19	VOE20853452		1						Timing gear cover		ENG - 32375
20	VOE940326		4						•Allen Hd Screw		
21	VOE13972399		5						•Six point socket screw		
22	VOE21102555		1						Timing gear cover		ENG 32376 -
23	VOE940326		4						•Allen Hd Screw		
24	VOE20815558	1	1						Seg moulding		
25	VOE20862761	2	2						Sealing		(VOE20572441)ENG - 23838
25	VOE20862761	2	2						Sealing		ENG 23839 - 36471
25	VOE21185086	2	2						Sealing		ENG 36472 -
26	VOE13947760	4	4						Screw		L = 40 MM
26	VOE13965180	1	1						Screw		L = 60 MM

Date: 2014/3/6	Image id: 1021294	Catalogue: 20089	Model: L350F
Brand: Volvo	Serial: 1001-	Group/Section: 216/200	Title: Damper

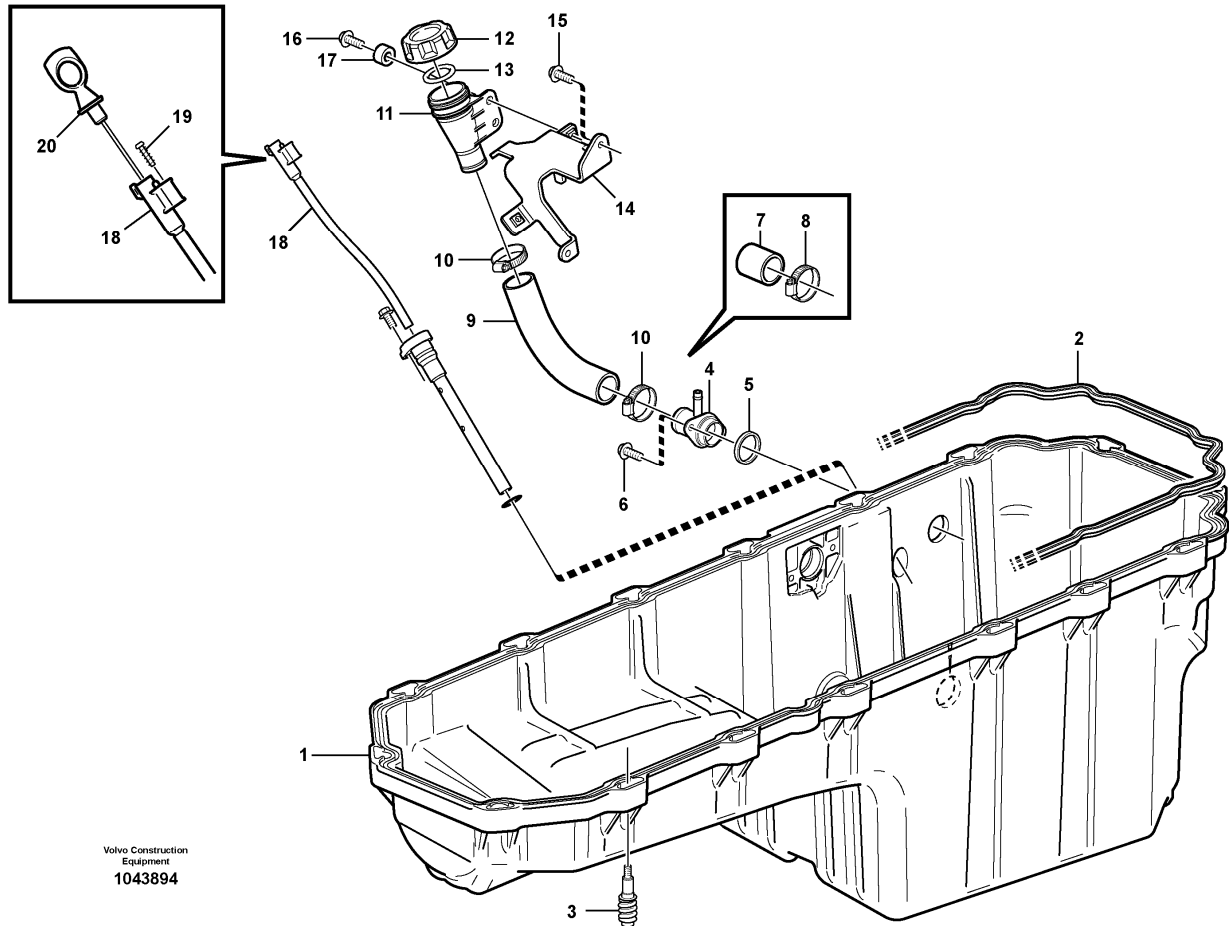


Volvo Construction
Equipment
1021294

Section option	Kit	Option description
VOE31713		Wheel Loader L350F

Pos	Part	Q1	Q2	Q3	Q4	Q5	PS	Kit	Description	Option(s)	Remark
1	VOE11158136	1							Damper		
	VOE15093292	2							•Bearing		
	VOE15093287	1							•Sealing		
2	VOE13965192	12							Screw		
3	VOE983281	12							Hexagon screw		
4	VOE930872	12							Washer		

Date: 2014/3/6	Image id: 1043894	Catalogue: 20089	Model: L350F
Brand: Volvo	Serial: 1001-	Group/Section: 217/100	Title: Oil sump with mounting parts



Section option	Kit	Option description
VOE8188182		Engine D16ELAE3
VOE8188187		Engine D16E

Q1-Q5	Option	Option description	
Q1 8188182	VOE8188182	Engine D16ELAE3	
Q2 8188187	VOE8188187	Engine D16E	

Pos	Part	Q1	Q2	Q3	Q4	Q5	PS	Kit	Description	Option(s)	Remark
1		1	1						Oil Pan		See ref 217/150
2	VOE20734156	1	1						Seg moulding		
3	VOE20538726	16							Flange screw		
3	VOE20538726		16						Flange screw		ENG - 33300
3	VOE21035968		16						Flange screw		ENG 33301 -
4	VOE11128804	1	1						Adapter		
5	VOE20555696	1	1						Sealing ring		

6	VOE946440	2	2						Flange screw		
7	VOE424543	1	1						Rubber cap		
8	VOE943476	1	1						Hose clamp		ENG - 42845
8	VOE994561	1	1						Hose clamp		ENG 42846 -
9	VOE11158132	1	1						Oil hose		
10	VOE943476	2	2						Hose clamp		ENG - 42845
10	VOE994561	2	2						Hose clamp		ENG 42846 -
11	VOE20808091	1	1						Oil Filler Pipe		
11	VOE20486943	1	1				NS		•Oil Filler Pipe		
12	VOE20807510	1	1						•Oil filler cap		
13	VOE20365079	1	1						••Gasket		
14	VOE11158307	1	1				NS		Bracket		
15	VOE946440	2	2						Flange screw		L = 16 MM
16	VOE946671	2	2						Flange screw		L = 30 MM
17	VOE946043	2	2						Spacer washer		
18	VOE11158390	1	1						Oil dipstick		L = 305 MM
19	VOE975371	1	1						Six point socket screw		
20	VOE11158387	1	1						Oil dipstick		L = 475 MM



Suggest:

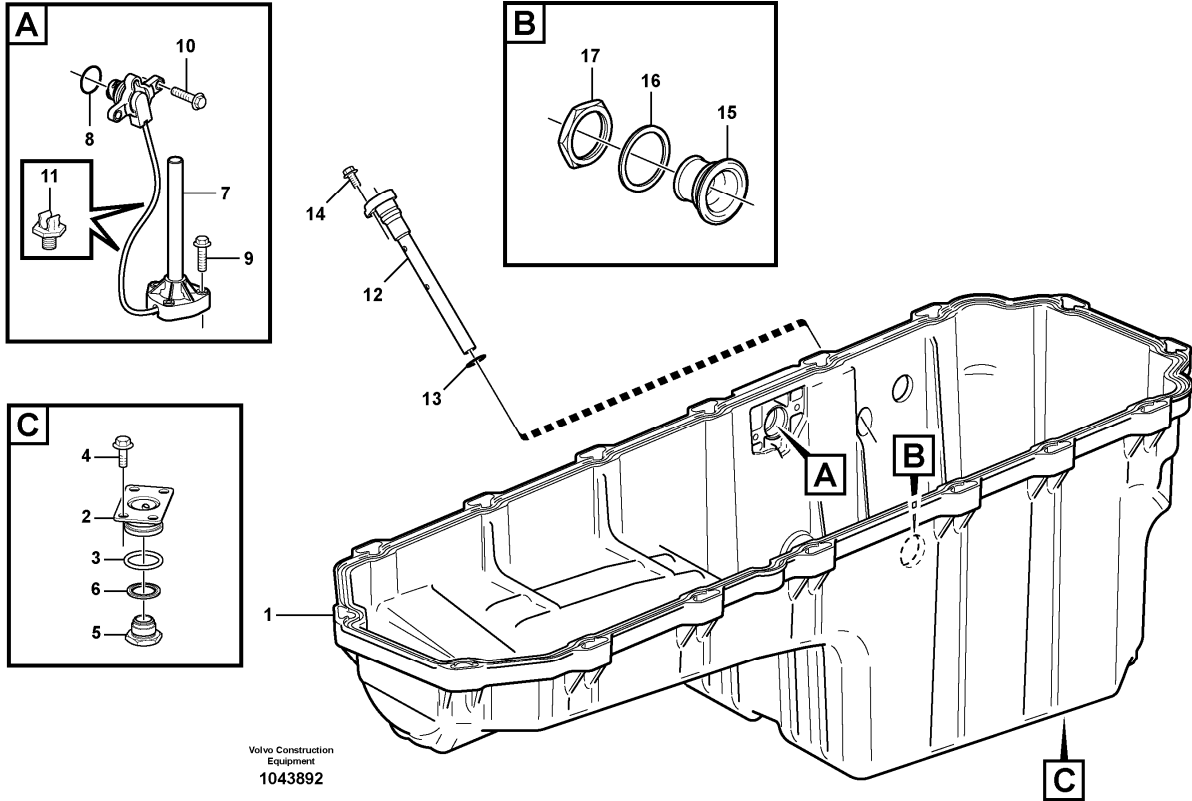
For more complete manuals. Please go to the home page.

<https://www.ebooklibonline.com>

If the above button click is invalid. Please download this document first, and then click the above link to download the complete manual.

Thank you so much for reading

Date: 2014/3/6	Image id: 1043892	Catalogue: 20089	Model: L350F
Brand: Volvo	Serial: 1001-	Group/Section: 217/150	Title: Oil sump



Section option	Kit	Option description
VOE8188182		Engine D16ELAE3
VOE8188187		Engine D16E

Pos	Part	Q1	Q2	Q3	Q4	Q5	PS	Kit	Description	Option(s)	Remark
	VOE11158458	1							Oil pan		
1	VOE11158031	1					NS		•Oil Pan		
2	VOE20839219	1					NS		•Cage		
3	VOE20586720	1							•O-ring		
4	VOE13966378	4							•Flange screw		
5	VOE20556987	1							•Magnetic plug		
6	VOE20579690	1							•Gasket		
7	VOE21042447	1							•Oil level sensor		SE2202, SE2205
8	VOE990719	1							••O-ring		
9	VOE13948356	3							•Flange screw		
10	VOE13946934	2							•Screw		

11	VOE20700754	2							•Retainer		
12	VOE20724256	1							•Pipe		
13		1					NS		••O-ring		
14	VOE13946173	1							•Screw		
15	VOE468940	1							•Hose connection		
16	VOE468947	1							•Sealing ring		
17	VOE468948	1							•Nut		

<https://www.ebooklibonline.com>

Hello dear friend!

Thank you very much for reading.

Enter the link into your browser.

The full manual is available for immediate download.

<https://www.ebooklibonline.com>