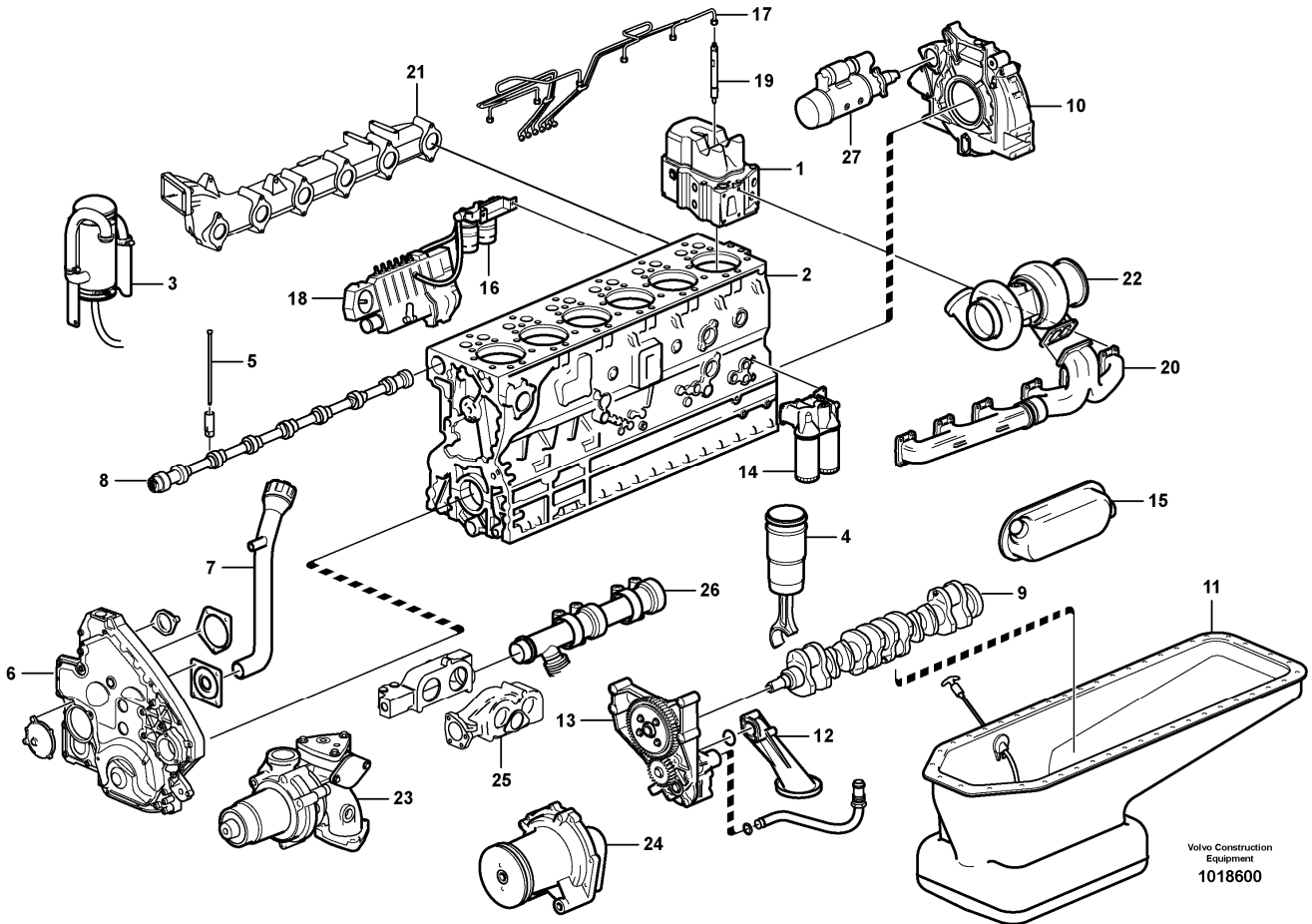


Date: 2014/3/6	Image id: 1018600	Catalogue: 97834	Model: L330E
Brand: Volvo	Serial: 62006-99999	Group/Section: 210/150	Title: Engine



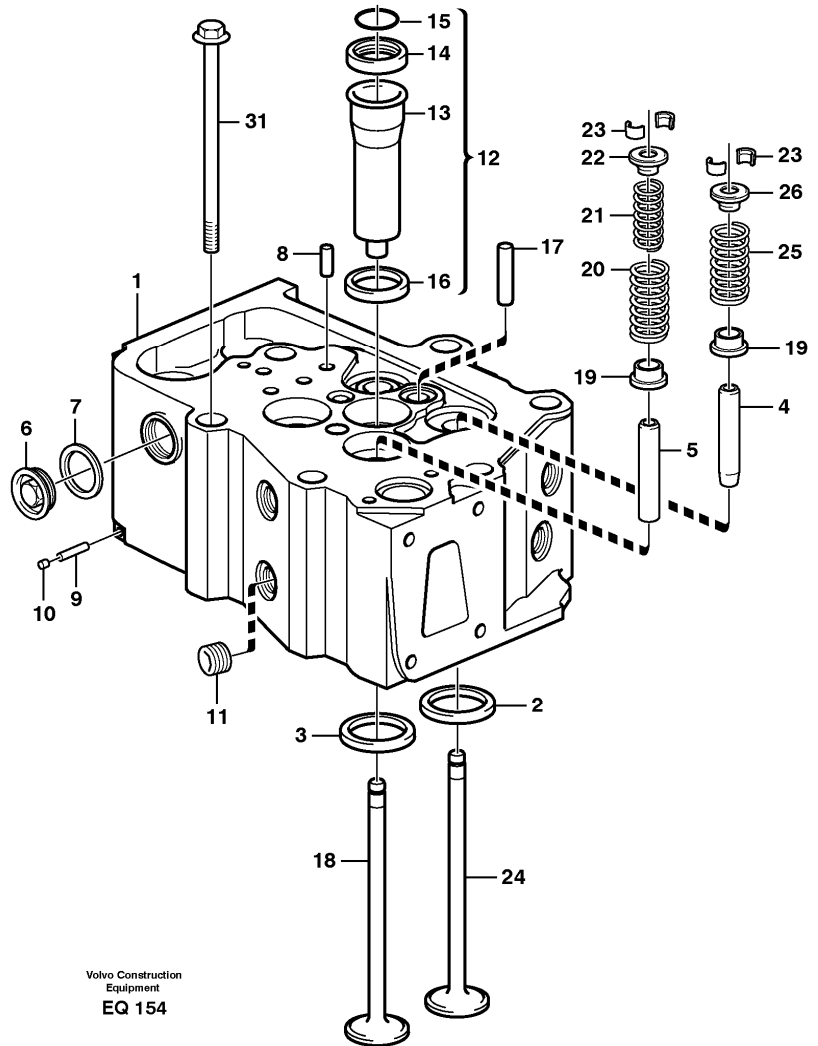
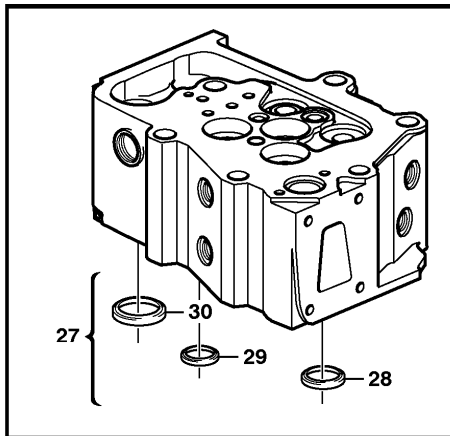
Section option	Kit	Option description
VOE8188181		Engine D16BLAE2

Pos	Part	Q1	Q2	Q3	Q4	Q5	PS	Kit	Description	Option(s)	Remark
	VOE8188181								Engine		
	VOE15004538								Engine		See footnote 1)
1									•Cylinder head		See ref 211/100
2									•Cylinder Block		See ref 212/100
3									•Crankcase ventilation		See ref 212/200
4									•Cylinder liner		See ref 213/100
5									•Valve mechanism		See ref 214/100
6									•Timing gear casing		
									••Drive gear		See ref 215/100
									••Cover		See ref 215/150
7									•Filler pipe		See ref 215/200

8									•Camshaft		See ref 215/250
9									•Crank mechanism		See ref 216/100
10									•Flywheel housing		See ref 216/150
11									•Oil sump		See ref 217/100
12									•Lubricating system		See ref 221/100
13									•Oil pump		See ref 221/150
14									•Oil filter		See ref 222/100
15									•Oil cooler		See ref 223/100
16									•Fuel filter		See ref 233/150
17									•Fuel pipe		See ref 235/150
18									•Injection pump		See ref 236/100
19									•Injector		See ref 237/100
20									•Exhaust pipe		See ref 251/100
21									•Inlet Manifold		See ref 251/100
22									•Turbo		See ref 255/100
23									•Water Pump		See ref 262/100
24									•Extra water pump		See ref 262/200
25									•Thermostat Housing		See ref 262/150
26									•Tube Assembly		See ref 262/150
27									•Starter Motor		See ref 331/100

1) Replacement version

Date: 2014/3/6	Image id: EQ154	Catalogue: 97834	Model: L330E
Brand: Volvo	Serial: 62006-99999	Group/Section: 211/100	Title: Cylinder head



Volvo Construction
Equipment
EQ 154

Section option	Kit	Option description
VOE8188181		Engine D16BLAE2

Pos	Part	Q1	Q2	Q3	Q4	Q5	PS	Kit	Description	Option(s)	Remark
	VOE1556599	6							Cylinder head		
1	VOE1556600	6					SE		•Cylinder head		
2	VOE1556148	12							••Valve seat		Inlet
3	VOE1556149	12							••Valve seat		Outlet
4	VOE20355012	12							••Valve guide		
5	VOE20355015	12							••Valve guide		
6	VOE1556989	24							••Core plug		(VOE1543937)
7	VOE468463	24							••Gasket		
8	VOE14025455	12							••Cylinder Pin		

<https://www.ebooklibonline.com>

Hello dear friend!

Thank you very much for reading.

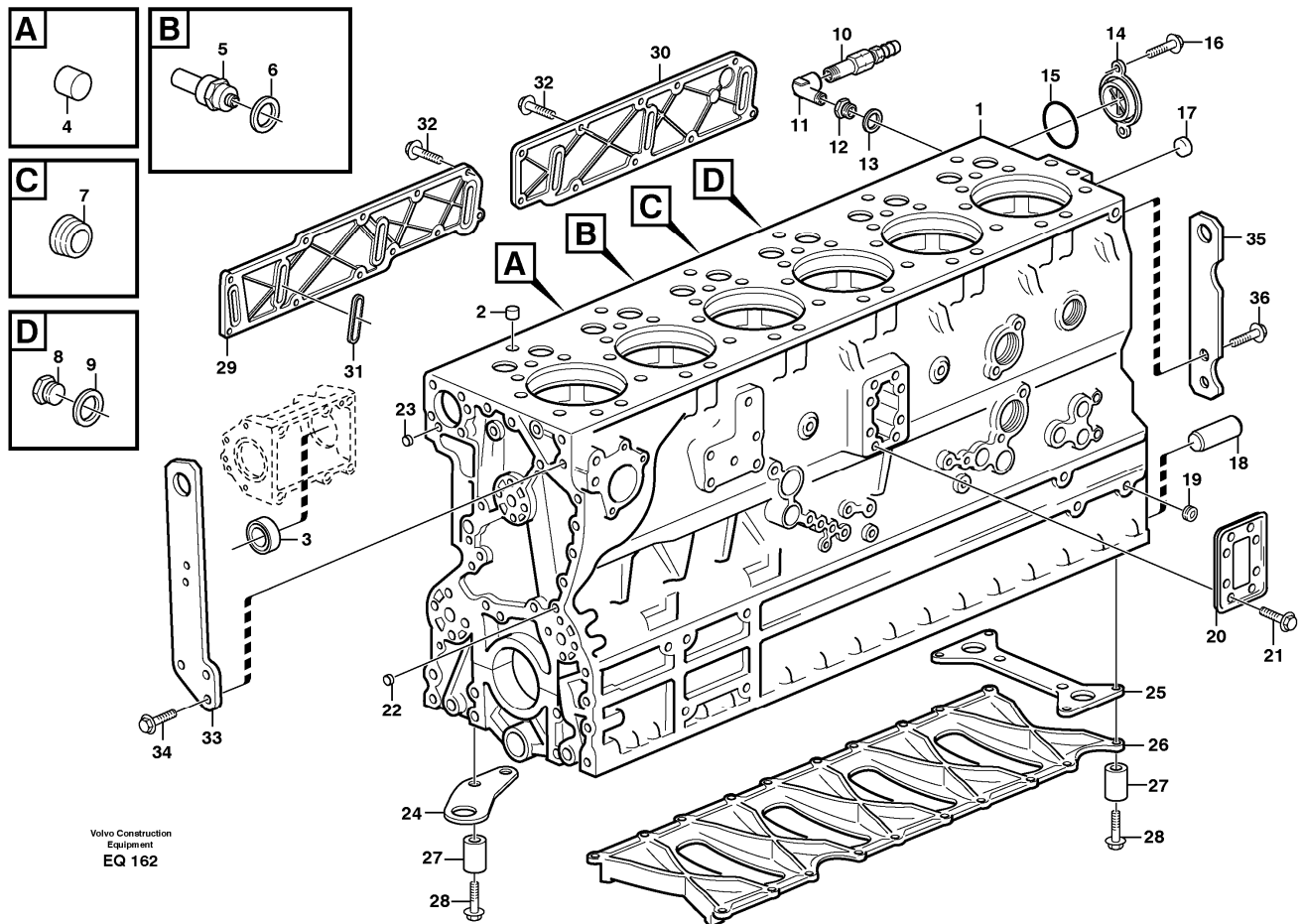
Enter the link into your browser.

The full manual is available for immediate download.

<https://www.ebooklibonline.com>

9	VOE1543492	6							••Pin		
10	VOE955077	6							••Plug		
11	VOE3964715	12							••Plug		
12	VOE276836	6							••Repair kit		
13	VOE1543223	6					NS		•••Sleeve		
14	VOE1543606	6					NS		•••Ring		
15	VOE1543574	6							•••Ring		
16	VOE1543225	6					NS		•••Sealing ring		
17	VOE1556073	12							•Pin		
18	VOE1556896	12							•Exhaust valve		
19	VOE1556064	24							•Sealing ring		
20	VOE1543870	12							•Valve spring		
21	VOE1543871	12							•Valve spring		
22	VOE1543866	12							•Spring washer		
23	VOE1543078	48							•Valve sleeve		
24	VOE1556813	12							•Inlet valve		
25	VOE1543872	12							•Valve spring		
26	VOE1543046	12							•Spring washer		
27	VOE271085	6							Gasket kit		
28	VOE8192189	12							•Sealing ring		
29	VOE1543576	6							•Sealing ring		
30	VOE11702307	12							•Sealing ring		
31	VOE1556956	36							Screw		

Date: 2014/3/6	Image id: EQ162	Catalogue: 97834	Model: L330E
Brand: Volvo	Serial: 62006-99999	Group/Section: 212/100	Title: Cylinder block

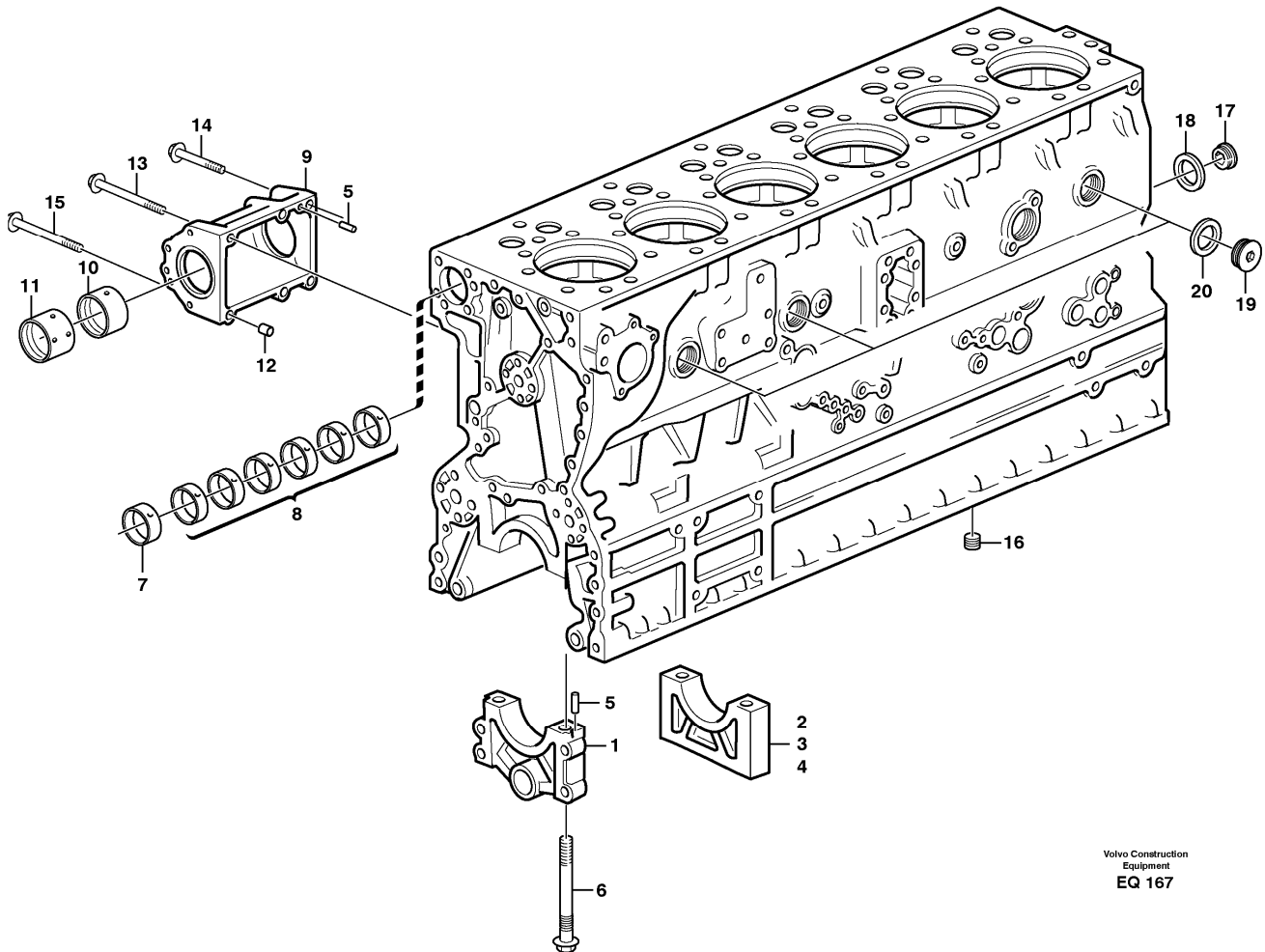


Section option	Kit	Option description
VOE8188181		Engine D16BLAE2

Pos	Part	Q1	Q2	Q3	Q4	Q5	PS	Kit	Description	Option(s)	Remark
1		1							Cylinder Block		See ref 212/150
2	VOE1543693	6							Guide sleeve		
3		1							Sealing ring		See ref 236/125
4	VOE417588	1							Guide sleeve		
5	VOE1077574	1							Sensor		
6	VOE968559	1							•O-ring		
7	VOE13968063	1							Plug		(VOE968063)
8	VOE960631	1							Plug		
9	VOE13947622	1							Plane gasket		
10	VOE13974320	1							Tap		
11	VOE13977409	1							Elbow nipple		

12	VOE13948867	1							Nipple		
13	VOE13947627	1							Plane gasket		
14	VOE1542242	1							Cover		
15	VOE968971	1							O-ring		
16	VOE13946173	2							Screw		
17	VOE946778	1							Cap plug		
18	VOE191171	2							Pin		
19	VOE981193	1							Plug		
20	VOE1543593	1							Hatch		
21	VOE13965175	8							Screw		
22	VOE13955083	2							Cap plug		
23	VOE13967853	1							Cap plug		
24	VOE1543589	4							Stiffening plate		
25	VOE1556797	5							Stiffener		
26	VOE1556670	1							Stiffener		
27	VOE11999695	8							Spacer sleeve		
28	VOE13965192	28							Screw		
29	VOE1543486	1							Hatch		
30	VOE1543488	1							Hatch		
31	VOE469606	7							Sealing ring		
32	VOE13945444	1							Screw		M8 x 25 MM
	VOE946470	16							Flange screw		M8 x 35 MM
	VOE13948217	2							Screw		M8 x 45 MM
	VOE13946752	2							Screw		M10 x 35 MM
33	VOE1543652	1							Tensioner		
34	VOE13965191	3							Screw		
35		1					NS		Tensioner		
36	VOE13968436	2							Screw		

Date: 2014/3/6	Image id: EQ167	Catalogue: 97834	Model: L330E
Brand: Volvo	Serial: 62006-99999	Group/Section: 212/150	Title: Cylinder block



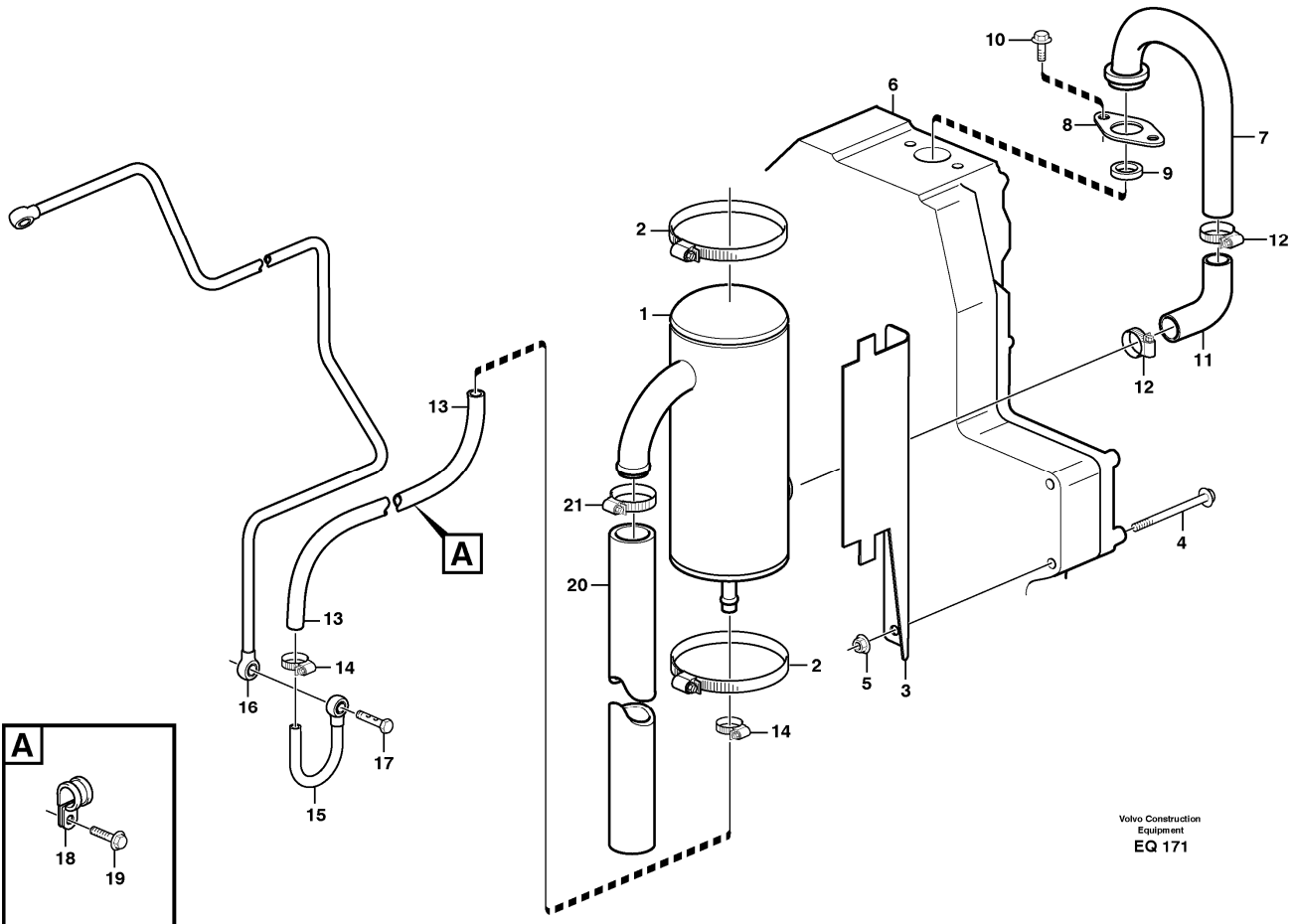
Volvo Construction
Equipment
EQ 167

Section option	Kit	Option description
VOE8188181		Engine D16BLAE2

Pos	Part	Q1	Q2	Q3	Q4	Q5	PS	Kit	Description	Option(s)	Remark
	VOE11032239	1							Cylinder block		
1	VOE1543408	1					NS		•Cap		
2	VOE1543409	4					NS		•Cap		
3	VOE1543410	1					NS		•Cap		
4	VOE1543411	1					NS		•Cap		
5		8							•Pin		See ref 236/125
6	VOE20581443	14							•Screw		
7	VOE1556514	1							•Bushing		
8	VOE1556515	6							•Bushing		
9		1					OP		•Bearing Housing		See ref 236/125

10		1							•Bushing		See ref 236/125
11		1							•Bushing		See ref 236/125
12		1							•Guide Sleeve		See ref 236/125
13		1							•Flange screw		See ref 236/125
14		4							•Flange screw		See ref 236/125
15		1							•Flange screw		See ref 236/125
16	VOE13952079	1							•Plug		
17	VOE8193945	1					NS		•Plug		
18	VOE469327	1							•Gasket		
19	VOE467367	3							•Plug		
20	VOE1556907	3							•Gasket		

Date: 2014/3/6	Image id: EQ171	Catalogue: 97834	Model: L330E
Brand: Volvo	Serial: 62006-99999	Group/Section: 212/200	Title: Crankcase ventilation



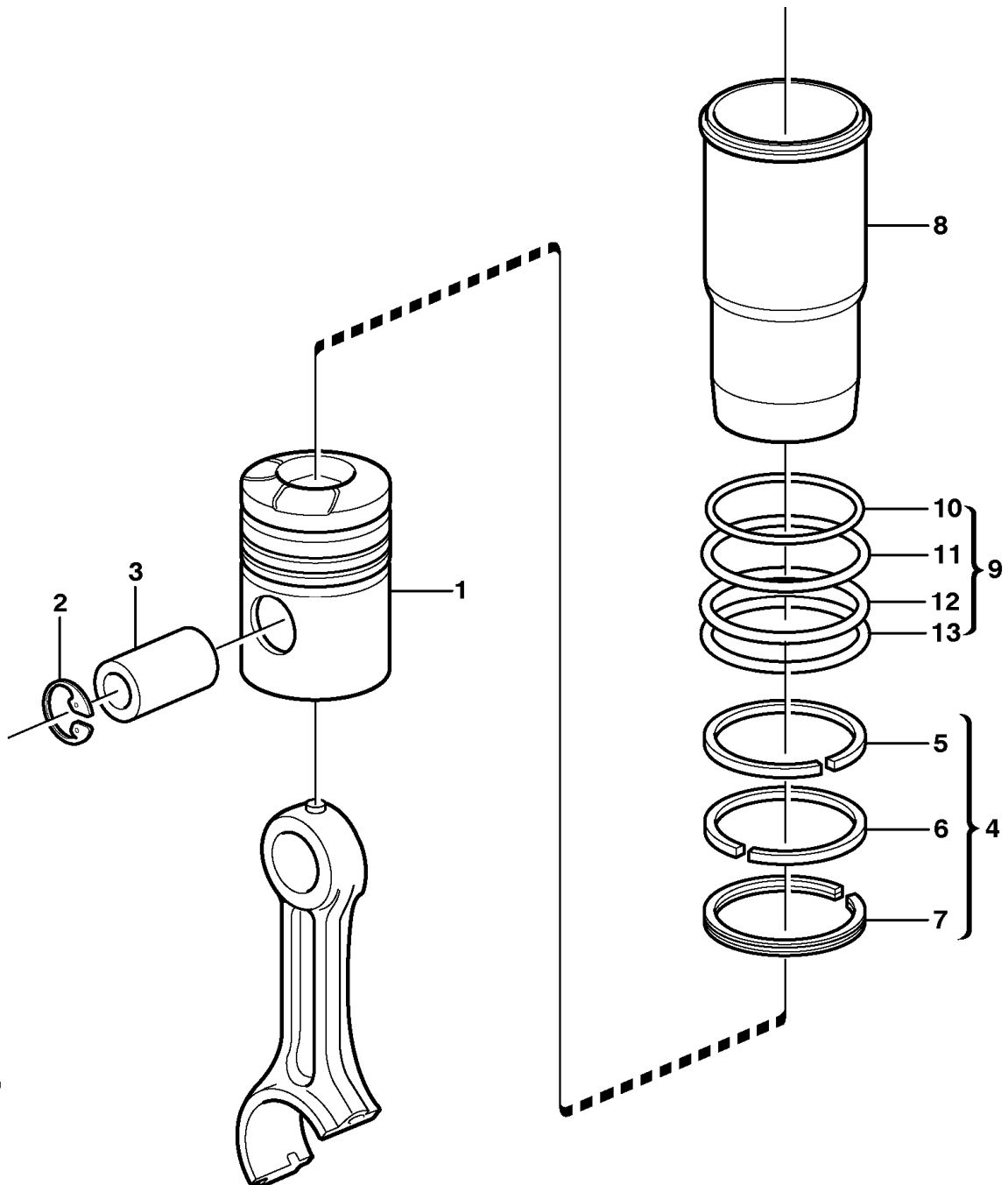
Section option	Kit	Option description
VOE31712		Wheel Loader
VOE8188181		Engine D16BLAE2

Q1-Q5	Option	Option description	
Q1 8188181	VOE8188181	Engine D16BLAE2	
Q2 31712	VOE31712	Wheel Loader	

Pos	Part	Q1	Q2	Q3	Q4	Q5	PS	Kit	Description	Option(s)	Remark
1	VOE11033878	1							Oil trap		
2	VOE961676	2							Hose clamp		(VOE977135)
3	VOE11032101	1							Bracket		
4	VOE965197	2							Flange screw		(VOE13965197)
5	VOE13971096	2							Flange nut		
6		1							Tmg Gear Cover		See ref 215/100
	VOE11032298	1							Pipe		

7	VOE11032102	1							•Pipe		
8	VOE11032105	1							•Washer		
9	VOE421629	1							Sealing ring		
10	VOE946440	2							Flange screw		
11	VOE11032106	1							Hose		
12	VOE943475	2							Hose clamp		
13	VOE983342	REQ							Hose		(VOE977316)L = 900 MM
14	VOE943470	2							Hose clamp		
15	VOE11030944	1							Pipe		
16		1							Oil return pipe		See ref 236/100
17		1							Hollow screw		See ref 236/100
18	VOE13949747	1							Clamp		
19	VOE13946544	1							Screw		
20	VOE927661		REQ						Rubber hose		L = 760 MM
21	VOE943475		1						Hose clamp		

Date: 2014/3/6	Image id: 1002295	Catalogue: 97834	Model: L330E
Brand: Volvo	Serial: 62006-99999	Group/Section: 213/100	Title: Cylinder liner and piston



Volvo Construction
Equipment
1002295

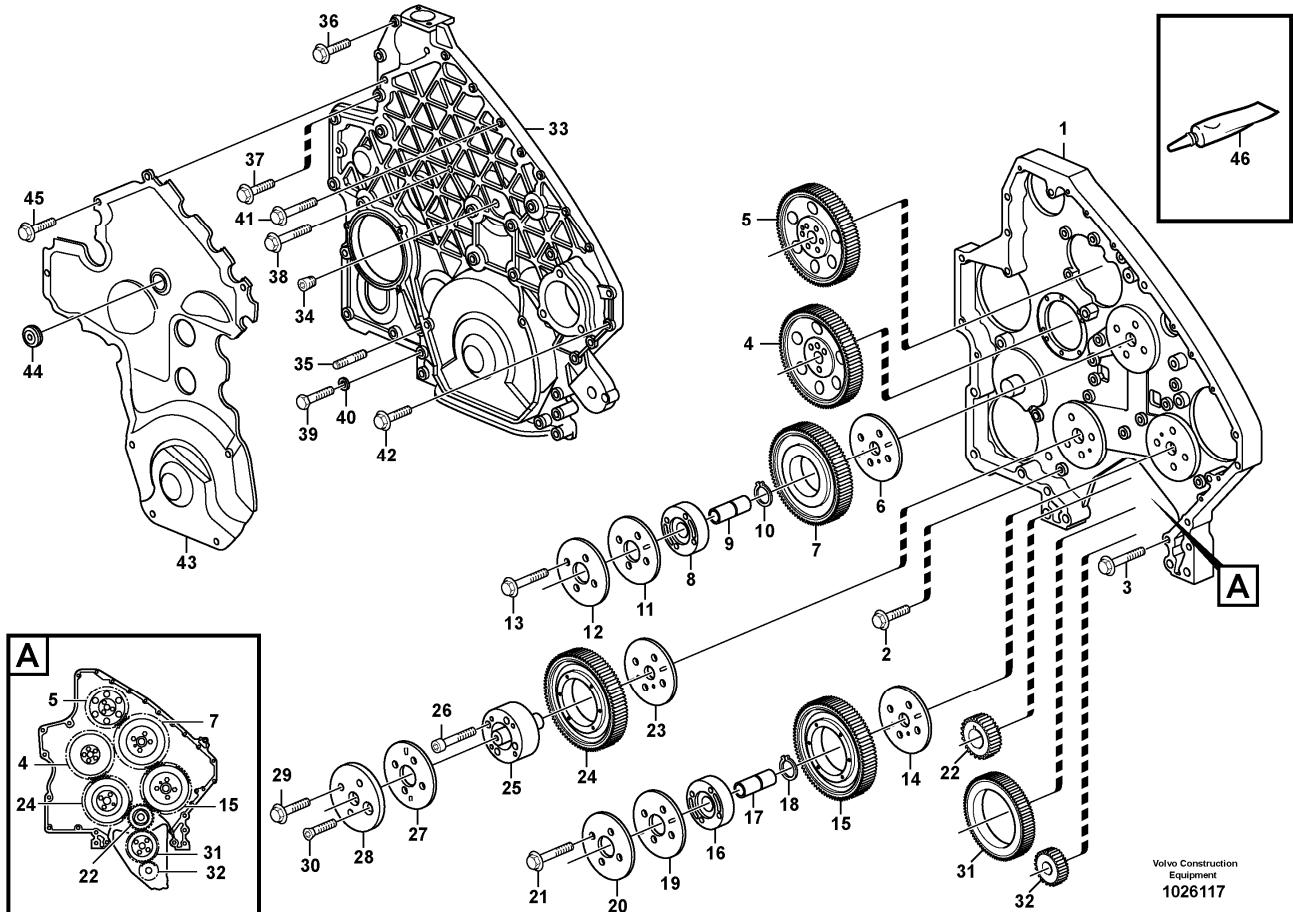
Section option	Kit	Option description
VOE8188181		Engine D16BLAE2

Pos	Part	Q1	Q2	Q3	Q4	Q5	PS	Kit	Description	Option(s)	Remark
1	VOE1556963	6					NS		Piston		

2	VOE914532	12							Retaining ring		
3	VOE1556939	6							Piston Pin		
4	VOE276840	6							Piston ring kit		
5	VOE1556578	6					NS		•Compression ring		
6	VOE1556566	6					NS		•Compression ring		
7	VOE1556580	6					NS		•Compression ring		
8	VOE1556533	6					NS		Cylinder Liner		
9	VOE270935	6							Sealing kit		
10	VOE1543507	6					NS		•Sealing ring		
11	VOE1543501	6					NS		•Sealing ring		
12	VOE1543568	12					NS		•Sealing ring		
13	VOE1543373	6					NS		•Sealing ring		
	VOE11706643	6							Cylinder liner kit		

11	VOE1543508	12							Lock plug		
12	VOE1556167	12							Yoke		
13	VOE1543368	12							•Adjusting screw		
14	VOE13946911	12							•Nut		
15	VOE1543981	12							Compression spring		
16		12							Valve collet		See ref 211/100
17	VOE1543469	6							Valve cover		
18	VOE1543581	6							Sealing strip		
19	VOE1543582	6							Ring		
20	VOE1543657	6							Washer		
21	VOE13943819	12							Disc spring		
22	VOE1543654	6							Cap nut		

Date: 2014/3/6	Image id: 1026117	Catalogue: 97834	Model: L330E
Brand: Volvo	Serial: 62006-99999	Group/Section: 215/100	Title: Timing gear casing and gears

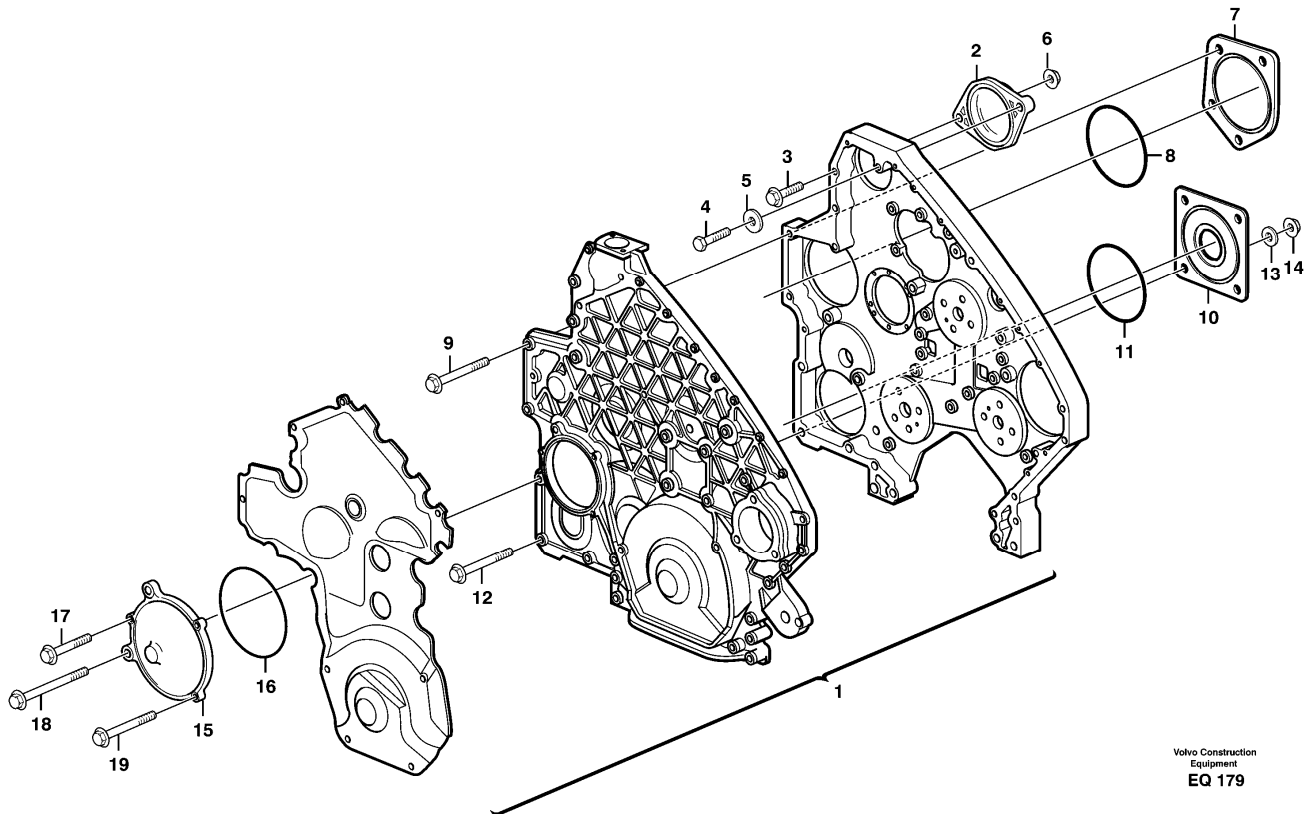


Section option	Kit	Option description
VOE8188181		Engine D16BLAE2

Pos	Part	Q1	Q2	Q3	Q4	Q5	PS	Kit	Description	Option(s)	Remark
1	VOE1556660	1							Timing gear casing		
2	VOE13978266	14							Flange screw		M8 x 35 MM
3	VOE13978267	1							Flange screw		M8 x 50 MM
4		1							Gear		See ref 236/150
5		1							Gear		See ref 215/250
6	VOE1543598	1							Thrust washer		
7	VOE1543897	1							Idler		
8	VOE11999702	1							Hub		
9	VOE1543597	1							•Pin		
10	VOE914459	1							•Retaining ring		
11	VOE11999703	1							Thrust washer		
12	VOE1543901	1							Bearing shield		

13	VOE471513	4							Screw		
14	VOE1543598	1							Thrust washer		
15	VOE1543445	1							Idler		
16	VOE11999702	1							Hub		
17	VOE1543597	1							•Pin		
18	VOE914459	1							•Retaining ring		
19	VOE11999703	1							Thrust washer		
20	VOE1543901	1							Bearing shield		
21	VOE471513	4							Screw		
22		1							Gear		See ref 216/100
23	VOE1543598	1							Thrust washer		
24	VOE1556652	1							Idler gear		
25	VOE1556649	1							Hub		
26	VOE13974111	4							Allen Hd Screw		
27	VOE1556651	1							Thrust washer		
28	VOE1556650	1							Bearing shield		
29	VOE13975204	3							Flange screw		
30	VOE13944830	1							Allen Head Screw		
31		1							Idler gear		See ref 221/150
32		1							Gear		See ref 221/150
33	VOE11032187	1							Timing gear cover		
34	VOE3964715	1							•Plug		
35	VOE11032186	1							•Stud		
36	VOE13947760	4							Screw		M8 x 40 MM
37	VOE13965220	4							Screw		M10 x 45 MM
38	VOE13947790	3							Screw		M10 x 80 MM
39	VOE13970993	1							Hexagon screw		M14 x 25 MM
40	VOE976929	1							Gasket		
41	VOE13965182	2							Screw		M8 x 80 MM
42	VOE13948217	1							Screw		M8 x 45 MM
43	VOE1556176	1							Noise shield		
44	VOE943920	1							Plug		
45	VOE13946501	8							Screw		
46	VOE1161277	REQ							Sealant		20 GRAM
	VOE11713514	REQ							Sealant		(VOE1161231)304 ML

Date: 2014/3/6	Image id: EQ179	Catalogue: 97834	Model: L330E
Brand: Volvo	Serial: 62006-99999	Group/Section: 215/150	Title: Timing gear casing and covers

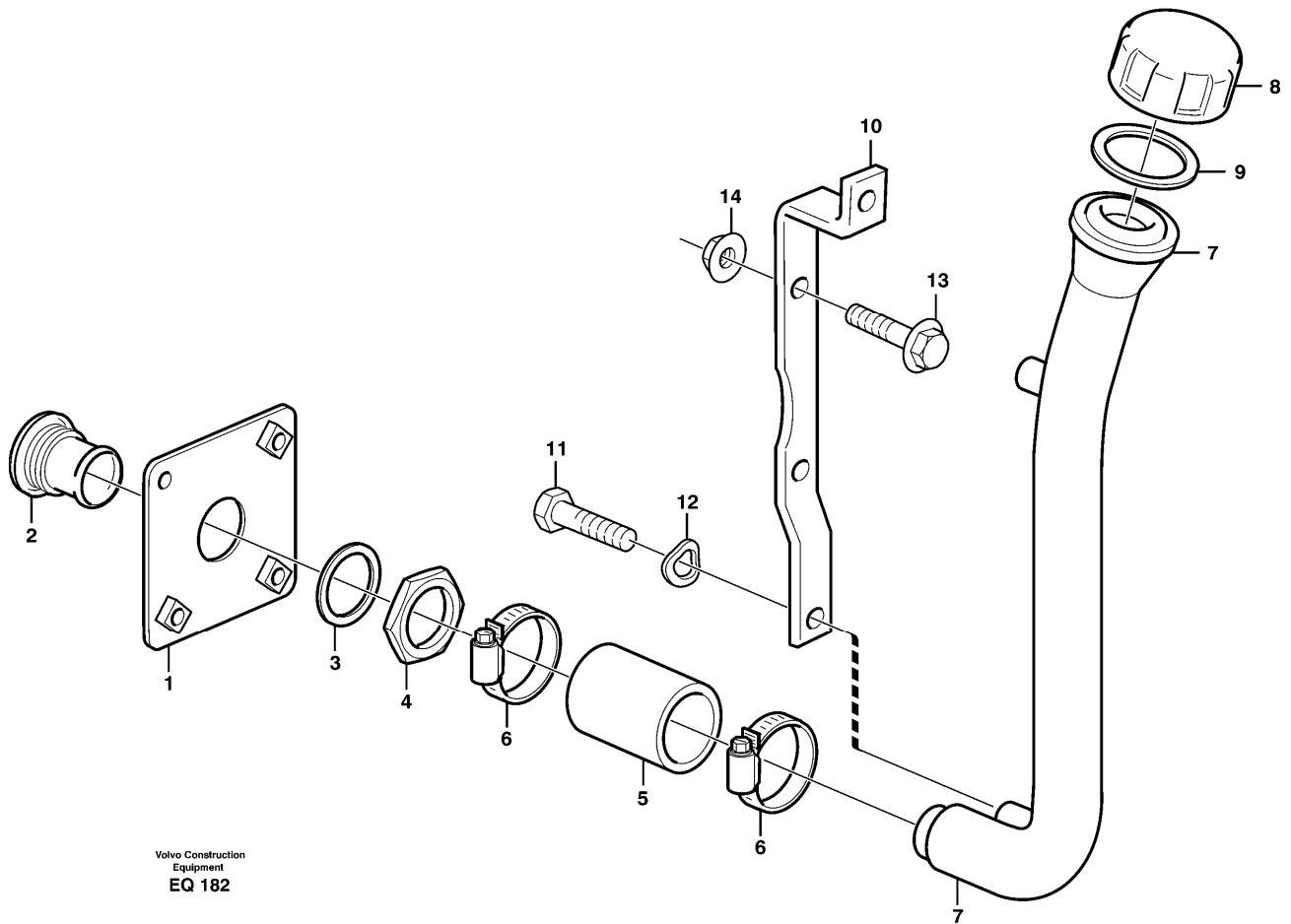


Section option	Kit	Option description
VOE8188181		Engine D16BLAE2

Pos	Part	Q1	Q2	Q3	Q4	Q5	PS	Kit	Description	Option(s)	Remark
1		1							Timg gear casing		See ref 215/100
2	VOE468093	1							Cover		
3	VOE13965189	1							Screw		
4	VOE970961	1							Hexagon screw		(VOE13970961)
5	VOE190509	1							Washer		
6	VOE13971095	2							Flange nut		
7	VOE1556208	1							Cover		
8	VOE13948888	1							O-ring		
9	VOE946473	1							Flange screw		L = 90 MM
10	VOE11032078	1							Cover		
11	VOE13948888	1							O-ring		
12	VOE946473	1							Flange screw		L = 90 MM
	VOE965197	1							Flange screw		(VOE13965197)L = 100 MM

	VOE13970986	1							Hexagon screw		L = 140 MM
13	VOE13955897	1							Washer		
14	VOE13971096	3							Flange nut		
15	VOE1556347	1							Hatch		
16	VOE1556612	1							O-ring		
17	VOE13965182	1							Screw		
18	VOE13946474	1							Flange screw		
19	VOE13946173	2							Screw		

Date: 2014/3/6	Image id: EQ182	Catalogue: 97834	Model: L330E
Brand: Volvo	Serial: 62006-99999	Group/Section: 215/200	Title: Filler pipe

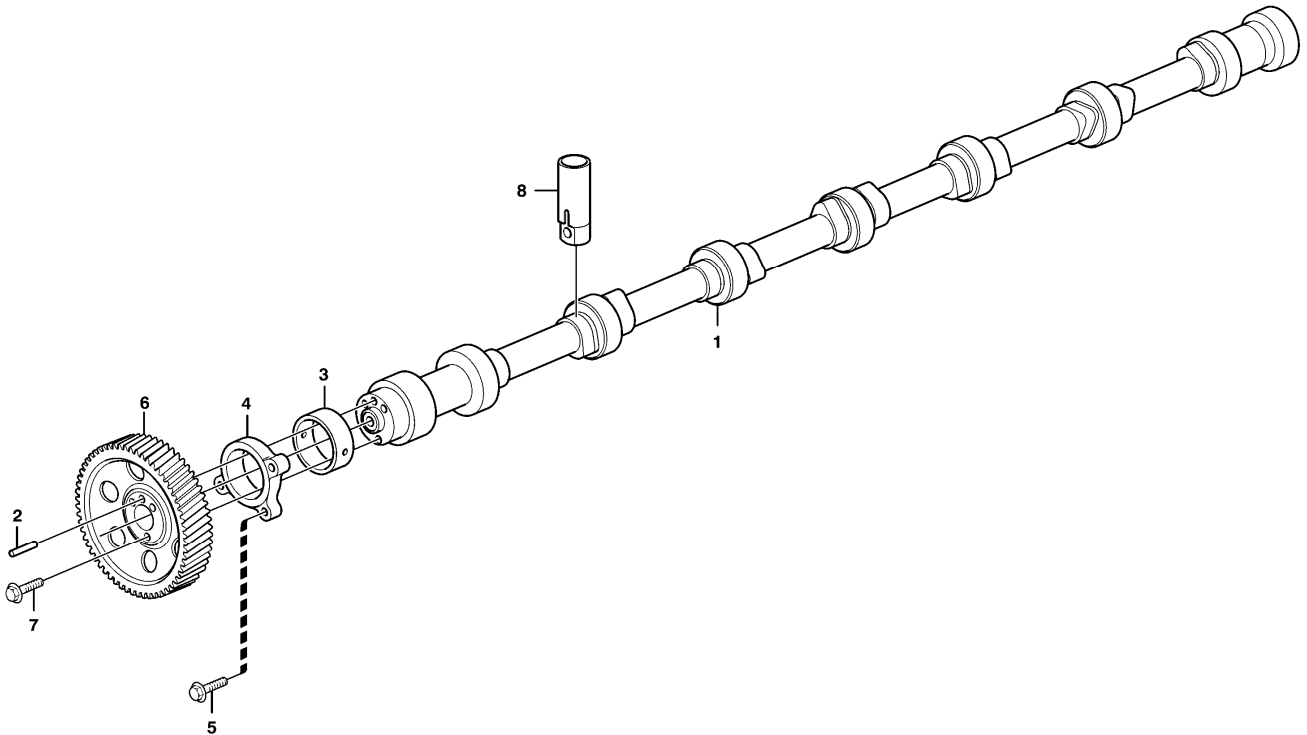


Volvo Construction
Equipment
EQ 182

Section option	Kit	Option description
VOE8188181		Engine D16BLAE2

Pos	Part	Q1	Q2	Q3	Q4	Q5	PS	Kit	Description	Option(s)	Remark
1		1					NS		Cover		
2	VOE468940	1							Hose connection		
3	VOE468947	1							Sealing ring		
4	VOE468948	1							Nut		
5	VOE942711	REQ							Hose		L = 45 MM
6	VOE943478	2							Hose clamp		(VOE13961671)
7	VOE822885	1							Filler pipe		
8	VOE1275403	1							Oil filler cap		
9	VOE1275379	1							•Gasket		
10	VOE11031693	1							Bracket		
11	VOE1395523	2							Screw		

Date: 2014/3/6	Image id: EQ183	Catalogue: 97834	Model: L330E
Brand: Volvo	Serial: 62006-99999	Group/Section: 215/250	Title: Camshaft

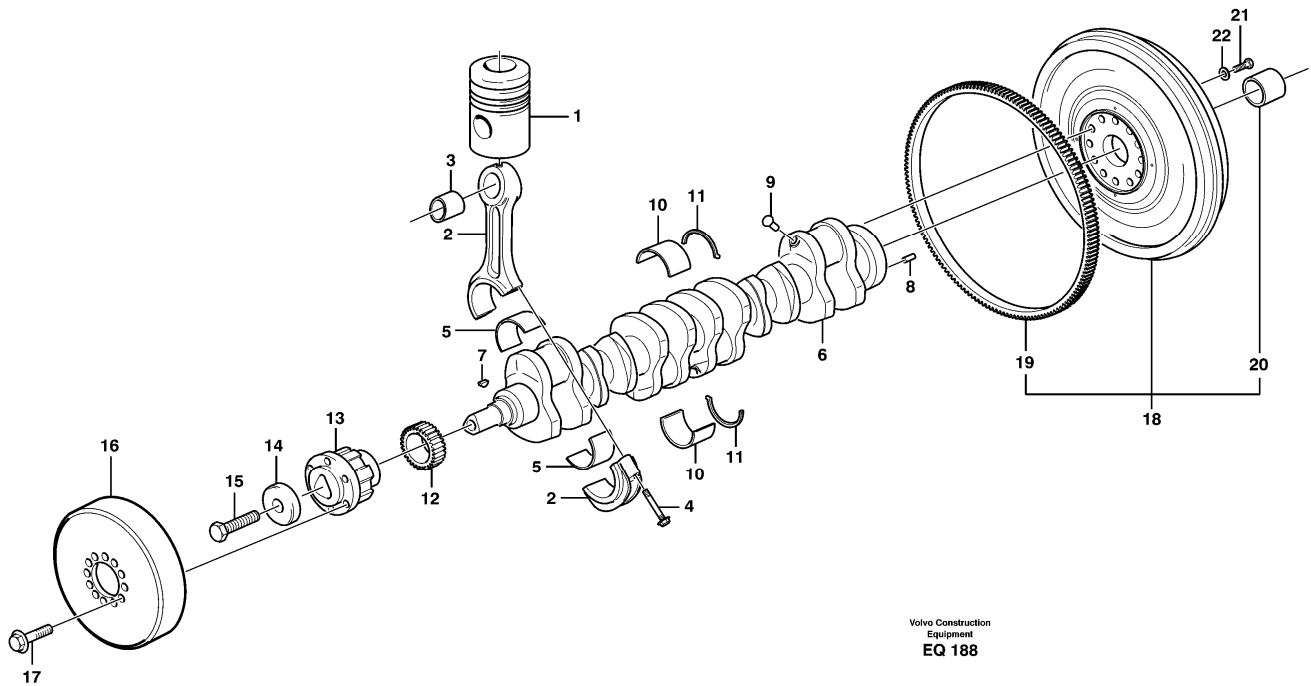


Volvo Construction
Equipment
EQ 183

Section option	Kit	Option description
VOE8188181		Engine D16BLAE2

Pos	Part	Q1	Q2	Q3	Q4	Q5	PS	Kit	Description	Option(s)	Remark
1	VOE1543704	1							Camshaft		
2	VOE950588	1							•Pin		
3		7							Bushing		See ref 212/150
4	VOE1543839	1							Thrust bearing		
5	VOE946671	3							Flange screw		
6	VOE1543899	1							Gear		
7	VOE13965220	3							Screw		
8		12							Tappet		See ref 214/100

Date: 2014/3/6	Image id: EQ188	Catalogue: 97834	Model: L330E
Brand: Volvo	Serial: 62006-99999	Group/Section: 216/100	Title: Crankshaft and related parts

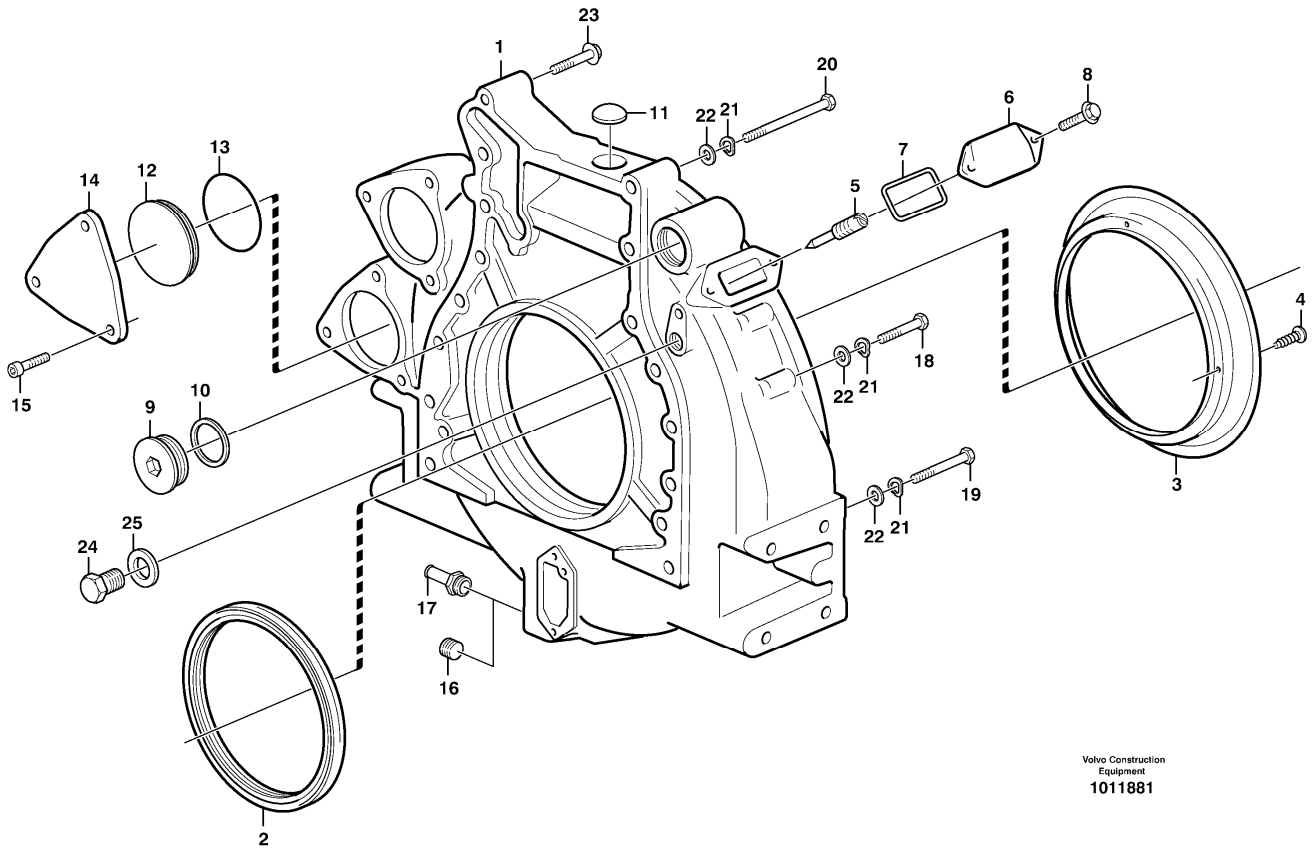


Section option	Kit	Option description
VOE8188181		Engine D16BLAE2

Pos	Part	Q1	Q2	Q3	Q4	Q5	PS	Kit	Description	Option(s)	Remark
1	VOE1556963	6					NS		Piston		See ref 213/100
2	VOE1556319	6							Connecting rod		
3	VOE1556321	6							•Bushing		
4	VOE1543035	6							•Screw		
5	VOE270796	6							Piston Bearing		STD
	VOE270797	6							Piston Bearing		0,25 MM U SZ
	VOE270798	6							Piston Bearing		0,50 MM U SZ
	VOE270799	6							Piston Bearing		0,75 MM U SZ
6	VOE24424603	1							Crankshaft		
7	VOE422253	1							•Key		
8	VOE950644	1							•Pin		
9	VOE13978130	6							•Plug		
10	VOE270792	7							Main bearing kit		STD
	VOE270793	7							Main bearing kit		0,25 MM U SZ
	VOE270794	7							Main bearing kit		0,50 MM U SZ
	VOE270795	7							Main bearing kit		0,75 MM U SZ
11	VOE270929	1							Thrust washer kit		STD

	VOE270930	1							Thrust washer kit		0,10 MM O SZ
	VOE270931	1							Thrust washer kit		0,20 MM O SZ
	VOE270932	1							Thrust washer kit		0,30 MM O SZ
12	VOE1556173	1							Gear		
13	VOE1556974	1							Hub		
14	VOE422124	1							Washer		
15	VOE1543316	1							Screw		
16	VOE1543834	1							Vibration damper		
17	VOE13965220	12							Screw		
18	VOE11032179	1							Flywheel		
19	VOE8193939	1							•Gear ring		
20	VOE11031838	1							•Sleeve		
21	VOE1677893	14							Screw		
22	VOE1543563	14							Washer		

Date: 2014/3/6	Image id: 1011881	Catalogue: 97834	Model: L330E
Brand: Volvo	Serial: 62006-99999	Group/Section: 216/150	Title: Flywheel housing



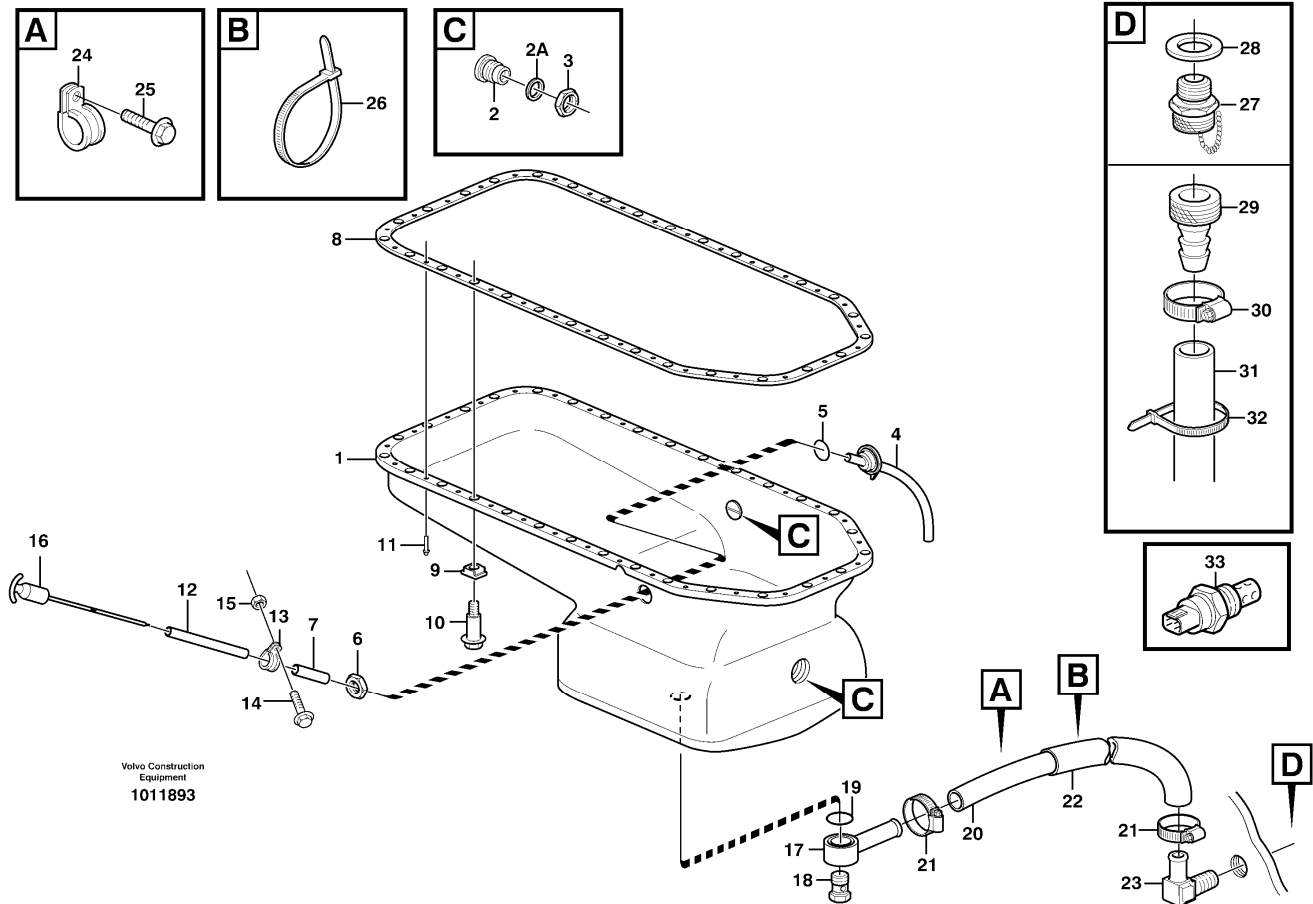
Volvo Construction
Equipment
1011881

Section option	Kit	Option description
VOE8188181		Engine D16BLAE2

Pos	Part	Q1	Q2	Q3	Q4	Q5	PS	Kit	Description	Option(s)	Remark
1	VOE11032206	1							Flywheel housing		
2	VOE1543896	1							Sealing ring		
3	VOE11030271	1							Oil deflector ring		
4	VOE13905650	4							Drive screw		
5	VOE1543173	1							Setting indicator		
6	VOE4772168	2							Cover		
7	VOE4804167	2							Gasket		
8	VOE13946934	4							Screw		
9	VOE467367	1							Plug		
10	VOE1556907	1							Gasket		
11	VOE955100	1							Expansion plug		
12	VOE11032027	1							Cover		
13	VOE967344	1							O-ring		

14	VOE849135	1					OP		Cover		
15	VOE13959253	3							Allen Hd Screw		
16	VOE968145	1							Plug		
17		1							Nipple		See ref 421/200
18	VOE971003	10							Hexagon screw		
19	VOE971005	2							Hexagon screw		(VOE13971005)M14 x 80 MM
20	VOE13971008	2							Hexagon screw		M14 x 110 MM
21	VOE941911	14							Spring washer		
22	VOE955899	14							Washer		
23	VOE13965181	1							Screw		
24	VOE180761	1							Plug		
25	VOE7011996	1							Gasket		

Date: 2014/3/6	Image id: 1011893	Catalogue: 97834	Model: L330E
Brand: Volvo	Serial: 62006-99999	Group/Section: 217/100	Title: Oil sump

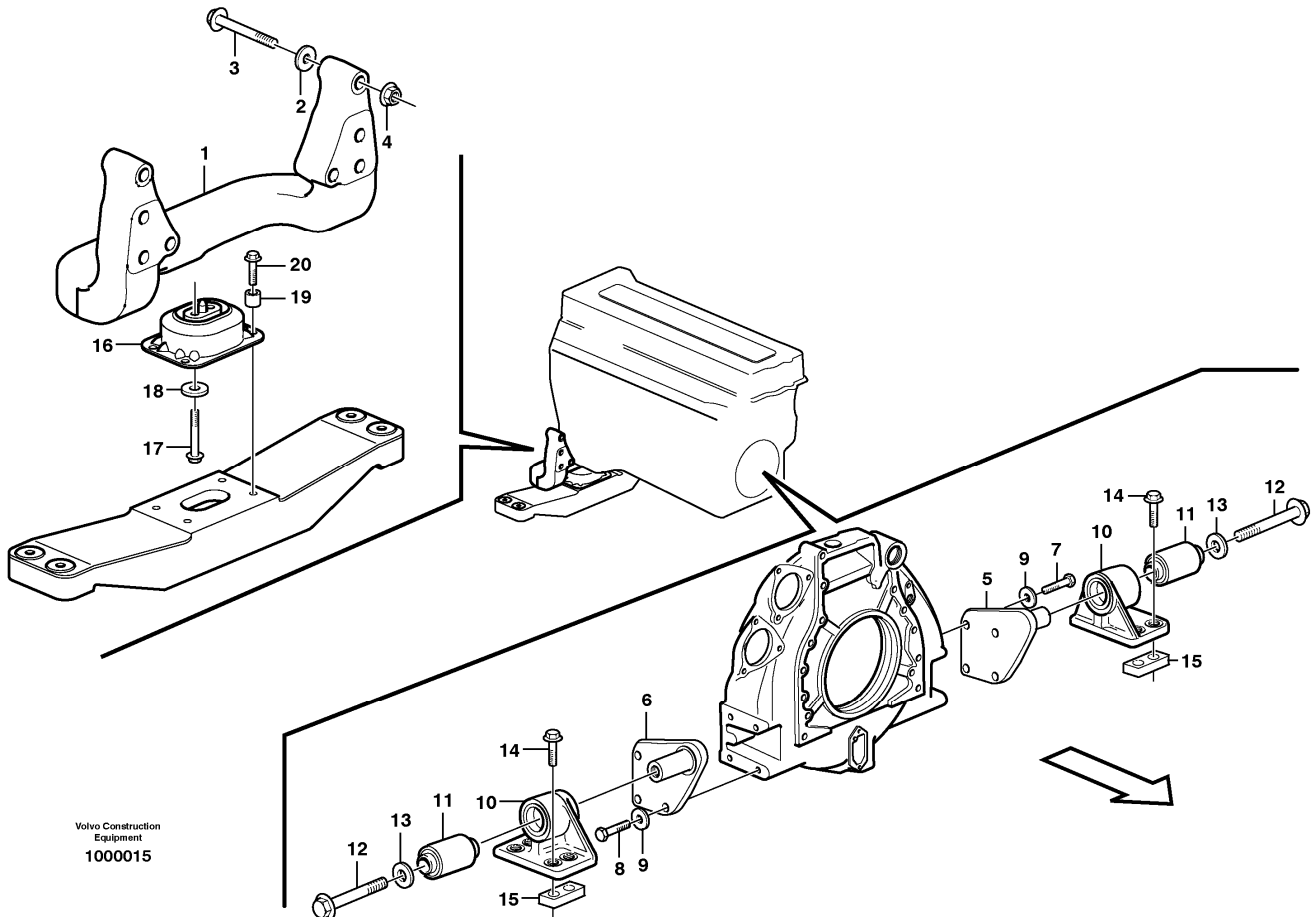


Section option	Kit	Option description
VOE8188181		Engine D16BLAE2

Pos	Part	Q1	Q2	Q3	Q4	Q5	PS	Kit	Description	Option(s)	Remark
1	VOE11032190	1							Oil pan		
2		2					NS		Plug		
2A	VOE468947	2							Sealing ring		
3	VOE468948	2							Nut		
4	VOE11032215	1							Tube		
5	VOE468947	1							Sealing ring		
6	VOE468948	1							Nut		
7	VOE8149606	1							Rubber hose		
8	VOE1556387	1							Gasket		
9	VOE420991	44							Rubber cushion		
10	VOE1556083	44							Flange screw		
11	VOE13943353	44							Rivet		

12	VOE11032079	1							Plastic pipe		
13	VOE13949747	1							Clamp		
14	VOE946440	1							Flange screw		
15	VOE13945408	1							Nut		
16	VOE11032089	1							Oil dipstick		
17	VOE11109866	1							Oil draining pipe		
18	VOE11109227	1							Hollow screw		
19	VOE13955997	2							O-ring		
20	VOE11154125	1							Hose		
	VOE13961193	REQ							Hydraulic hose	VOE82105	, L = 1800 MM
21	VOE943473	2							Hose clamp		
22	VOE11301461	1							Hose		
23	VOE961611	1							Elbow nipple		
24	VOE981653	1							Clamp		
	VOE981653	2							Clamp	VOE82105, VOE82623	
25	VOE13946173	1							Screw		
	VOE13946173	2							Screw	VOE82105, VOE82623	
26	VOE4881440	1							Cable tie		
27	VOE11054692	1							Valve		
28	VOE949329	1							Gasket		
29	VOE11054659	1							Connector		
30	VOE943473	1							Hose clamp		
31	VOE13961193	REQ							Hydraulic hose		L = 600 MM SER NO - 62058
	VOE11027418	REQ							Hose		SER NO 62059 -
32	VOE4881440	1							Cable tie		
33	VOE11144494	1							Oil level sensor		SE213
	VOE11713718	1							•O-ring		

Date: 2014/3/6	Image id: 1000015	Catalogue: 97834	Model: L330E
Brand: Volvo	Serial: 62006-99999	Group/Section: 218/100	Title: Engine mounting

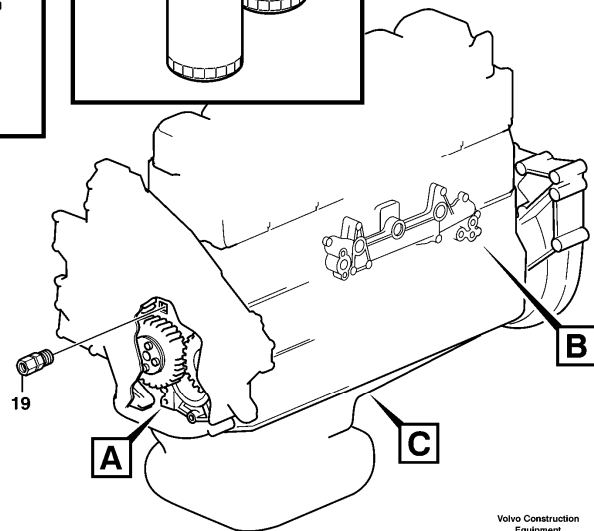
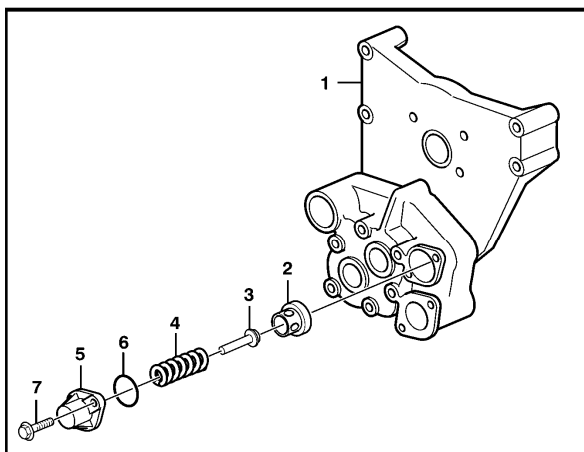
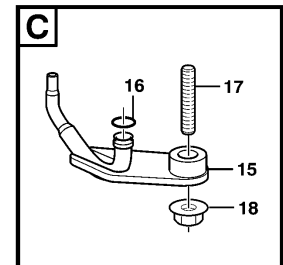
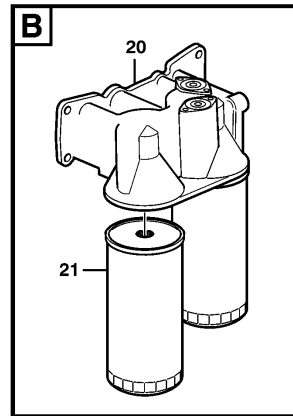
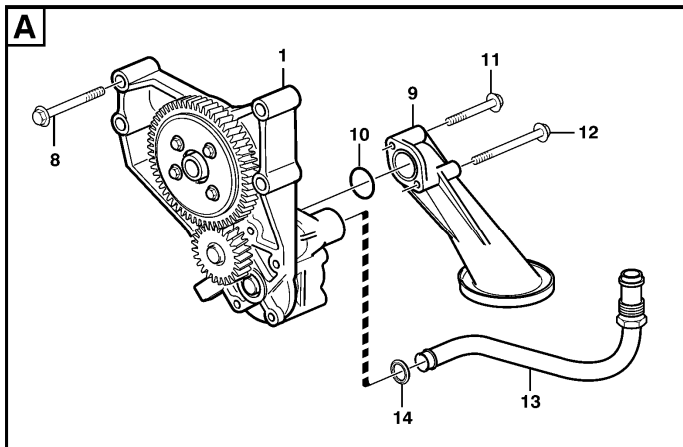


Section option	Kit	Option description
VOE8188181		Engine D16BLAE2

Pos	Part	Q1	Q2	Q3	Q4	Q5	PS	Kit	Description	Option(s)	Remark
1	VOE11032210	1					NS		Engine mounting		
2	VOE955899	8							Washer		
3	VOE970941	2							Hexagon screw		L = 180 MM
	VOE970942	5							Hexagon screw		L = 200 MM
4	VOE979014	1							Flange nut		
5	VOE11301207	1							Anchorage		LH
6	VOE11301208	1							Anchorage		RH
7	VOE955369	4							Hexagon screw		
8	VOE968591	4							Flange screw		
9	VOE930845	8							Washer		
10	VOE11154068	2							Attachment		
11	VOE11130778	2							•Rubber element		

12	VOE982377	2							Flange screw		
13	VOE11024597	2							Washer		
14	VOE968437	8							Flange screw		
15	VOE4898544	4							Nut plate		
16	VOE20503551	1							Rubber cushion		(VOE1622825)
17	VOE13966362	2							Flange screw		
18	VOE930844	2							Washer		
19	VOE11025923	4							Spacer		
20	VOE13965193	4							Screw		

Date: 2014/3/6	Image id: 1000020	Catalogue: 97834	Model: L330E
Brand: Volvo	Serial: 62006-99999	Group/Section: 221/100	Title: Lubricating oil system



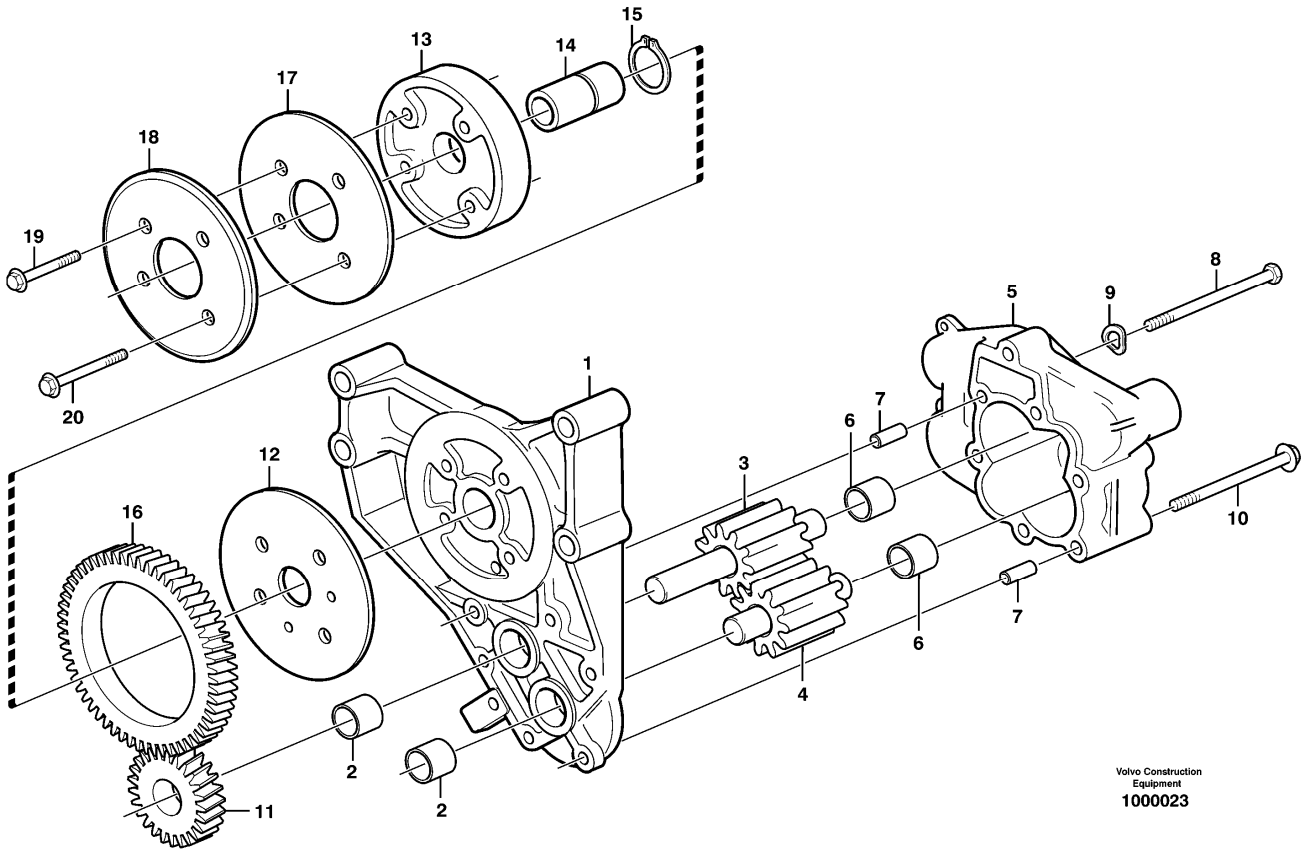
Volvo Construction
Equipment
1000020

Section option	Kit	Option description
VOE8188181		Engine D16BLAE2

Pos	Part	Q1	Q2	Q3	Q4	Q5	PS	Kit	Description	Option(s)	Remark
1		1							Oil Pump		See ref 221/150
2	VOE1543964	1							Seat		
3	VOE1543610	1							Peg		
4	VOE1543630	1							Compression spring		
5	VOE1543608	1							Valve		
6	VOE949659	1							O-ring		
7	VOE13945444	2							Screw		
8	VOE13965186	4							Screw		
9	VOE1543988	1							Oil strainer		
10	VOE13949722	1							O-ring		
11	VOE13965180	1							Screw		L = 60 MM

12	VOE13965183	1							Flange screw		L = 90 MM
13	VOE1556464	1							Delivery pipe		
14	VOE1543578	1							Sealing ring		
15	VOE1556430	6							Piston cooling jet		
16	VOE955981	6							•O-ring		
17	VOE1556434	6							Stud		
18	VOE948645	6							Flange lock nut		
19	VOE3825384	1							Nozzle		
20		1							Housing		See ref 222/100
21		2							Oil filter		See ref 222/100

Date: 2014/3/6	Image id: 1000023	Catalogue: 97834	Model: L330E
Brand: Volvo	Serial: 62006-99999	Group/Section: 221/150	Title: Oil pump



Volvo Construction
Equipment
1000023

Section option	Kit	Option description
VOE8188181		Engine D16BLAE2

Pos	Part	Q1	Q2	Q3	Q4	Q5	PS	Kit	Description	Option(s)	Remark
	VOE1556730	1							Oil pump		(VOE11703489)
1	VOE1543965	1							•Bracket		
2	VOE1543978	2						K	••Bushing		
3	VOE1556126	1					NS	K	•Gear		
4	VOE1556127	1					NS	K	•Gear		
5	VOE1556019	1							•Oil pump housing		
6	VOE1543978	2						K	••Bushing		
7	VOE401146	2							••Guide sleeve		
8	VOE100223	3							•Screw		
9	VOE13941907	3							•Washer		
10	VOE13965183	3							•Flange screw		
11	VOE1556097	1							•Gear		
12	VOE1543598	1							•Thrust washer		



Suggest:

For more complete manuals. Please go to the home page.

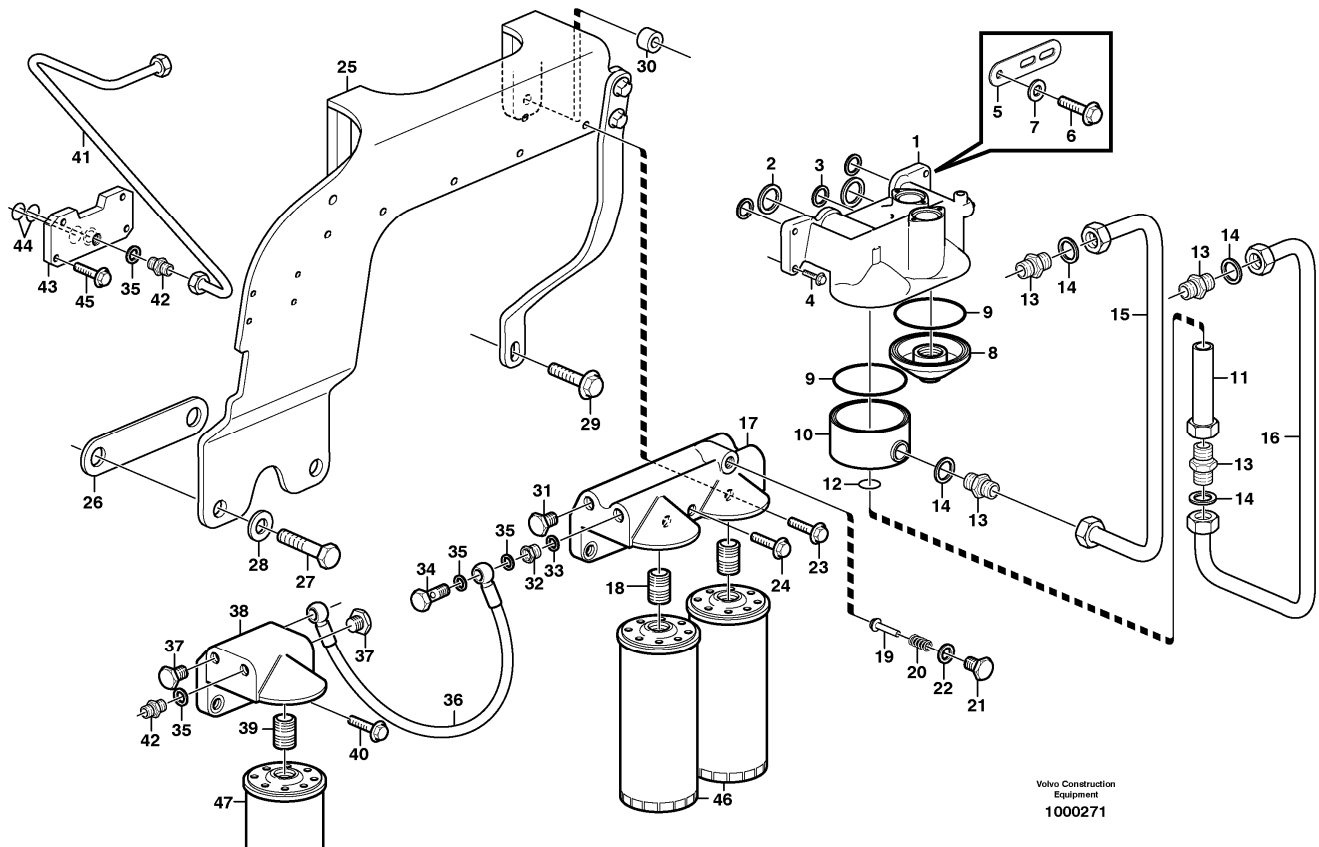
<https://www.ebooklibonline.com>

If the above button click is invalid. Please download this document first, and then click the above link to download the complete manual.

Thank you so much for reading

13	VOE11999702	1							•Hub		
14	VOE1543597	1							••Pin		
15	VOE914459	1							••Retaining ring		
16	VOE1543450	1							•Idler gear		
17	VOE11999703	1							•Thrust washer		
18	VOE1543901	1							•Bearing shield		
19	VOE13965186	3							•Screw		L = 50 MM
20	VOE13965188	1							•Screw		L = 70 MM
	VOE276871	1							Repair kit		

Date: 2014/3/6	Image id: 1000271	Catalogue: 97834	Model: L330E
Brand: Volvo	Serial: 62006-99999	Group/Section: 222/100	Title: Oil filter with fitting parts



Volvo Construction
Equipment
1000271

Section option	Kit	Option description
VOE8188181		Engine D16BLAE2

Pos	Part	Q1	Q2	Q3	Q4	Q5	PS	Kit	Description	Option(s)	Remark
1	VOE11032232	1							Housing		
2	VOE8192187	2							Sealing ring		
3	VOE8192189	3							Sealing ring		
4	VOE946671	3							Flange screw		
5	VOE13965540	1							Bracket		
6	VOE946470	1							Flange screw		
7	VOE930840	1							Washer		(VOE13961169)
8	VOE3812511	1					SS		Casing		
9	VOE13948981	2							O-ring		
10	VOE11127476	1							Cover		
11	VOE11032236	1							Reduction nipple		
12	VOE944126	1							O-ring		
13	VOE941582	4							Nipple		

<https://www.ebooklibonline.com>

Hello dear friend!

Thank you very much for reading.

Enter the link into your browser.

The full manual is available for immediate download.

<https://www.ebooklibonline.com>