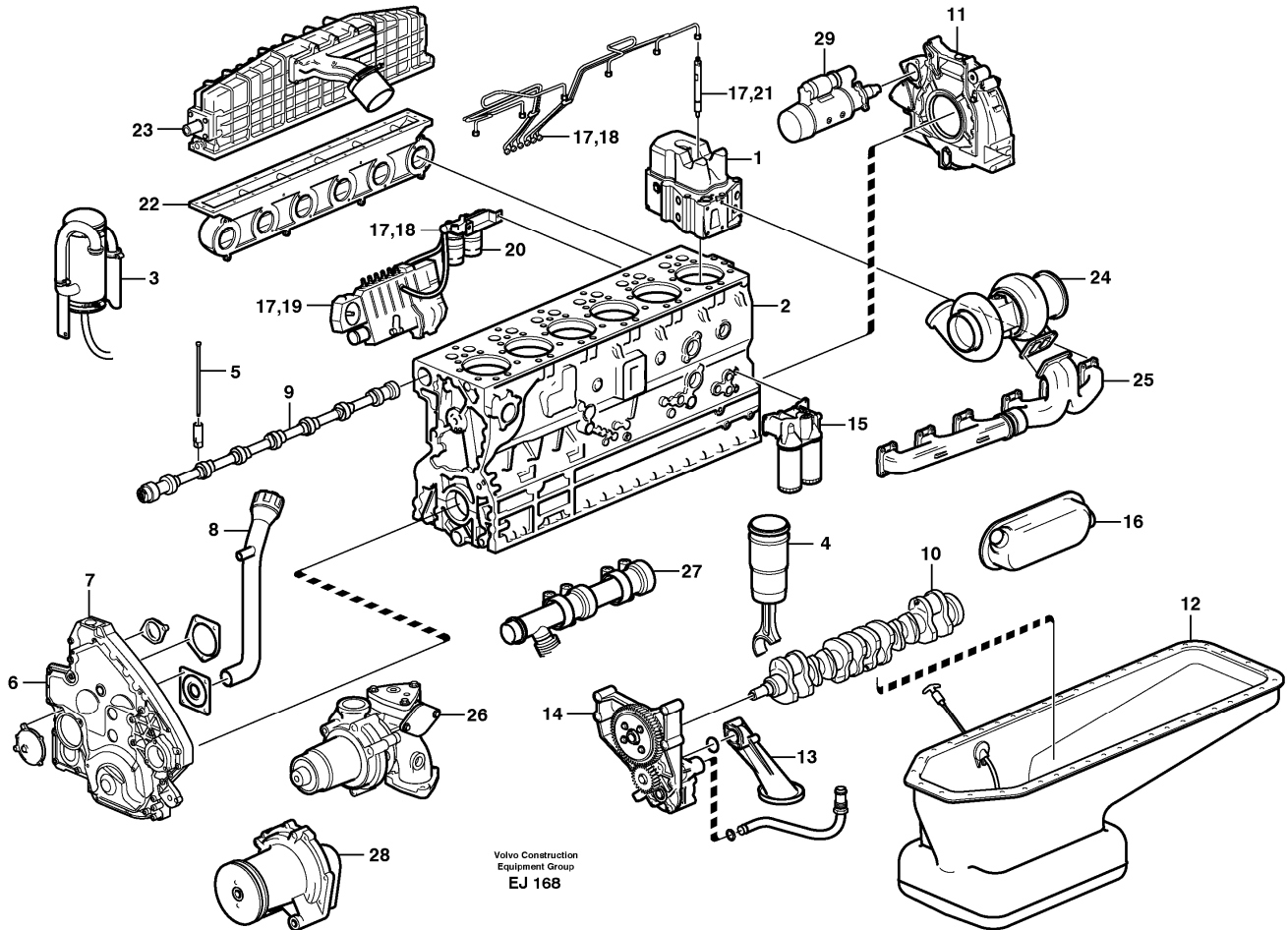


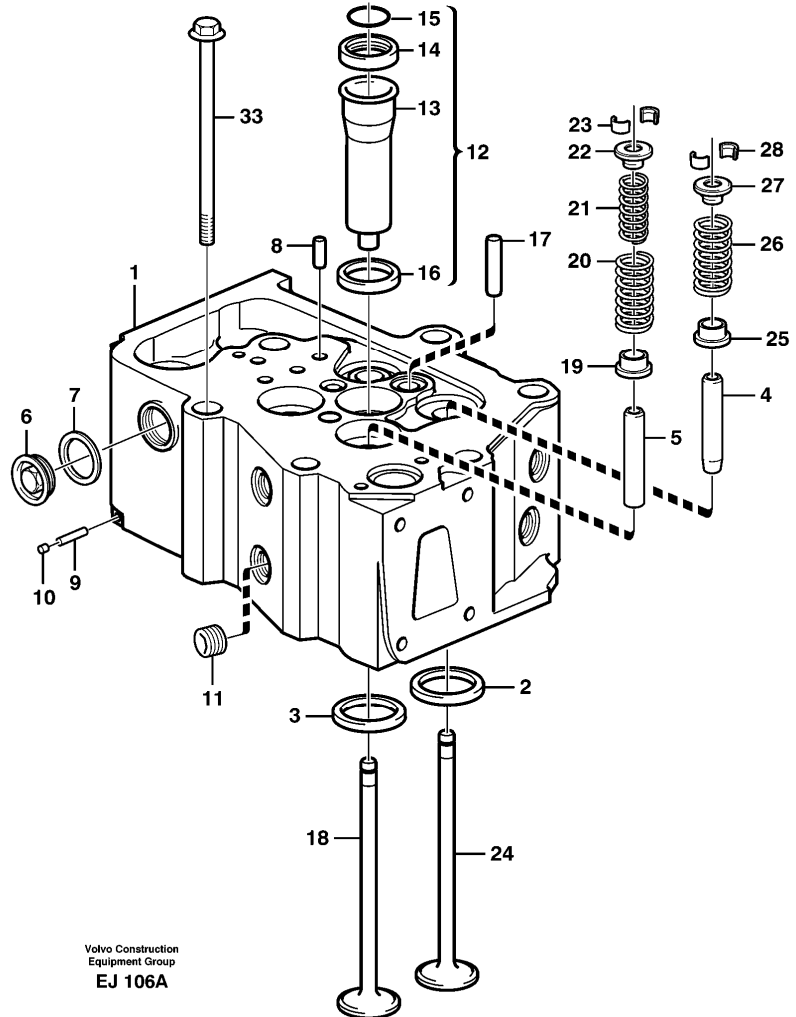
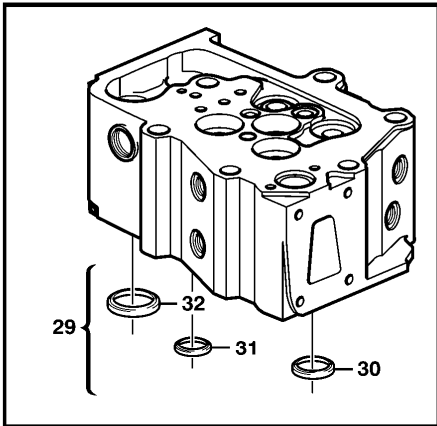
Date: 2014/3/6	Image id: EJ168	Catalogue: 97816	Model: L330D
Brand: Volvo	Serial: 61001-70000	Group/Section: 210/150	Title: Engine



Pos	Part	Q1	Q2	Q3	Q4	Q5	PS	Kit	Description	Option(s)	Remark
	VOE15004535	1							Engine		(VOE497773)TD 164 KAE
1		6							•Cylinder head		See ref 211/100
2		1							•Cylinder block		See ref 212/100
3		1							•Crankcase ventilation		See ref 212/200
4		1							•Cylinder liner		See ref 213/100
5		1							•Valve mechanism		See ref 214/100
6		1							•Timing gear casing		
									•••and gears		See ref 215/100
7		1							•Timing gear casing		
									•••and covers		See ref 215/150
8		1							•Filler pipe		See ref 215/200
9		1							•Camshaft		See ref 215/250

10		1							•Crankshaft		See ref 216/100
11		1							•Flywheel housing		See ref 216/150
12		1							•Oil sump		See ref 217/100
13		1							•Lubricating system		See ref 221/100
14		1							•Oil pump		See ref 221/150
15		1							•Oil filter		See ref 222/100
16		1							•Oil cooler		See ref 223/100
17		1							•Fuel system		See ref 230/100
18		1							••Fuel pipes		See ref 235/150
		1							••Fuel pipe		See ref 237/100
19		1							••Injection pump		See ref 236/100
20		1							••Fuel filter		See ref 233/150
21		6							••Injector		See ref 237/150
22		1							•Inlet pipe		See ref 251/100
23		1							•Charge air cooler		See ref 258/100
24		1							•Turbocharger		See ref 255/100
25		1							•Exhaust pipe		See ref 251/100
26		1							•Water pump		See ref 262/100
27		1							•Tube assembly		See ref 262/150
28		1							•Extra water pump		See ref 262/200
29		1							•Starter motor		See ref 331/100

Date: 2014/3/6	Image id: EJ106A	Catalogue: 97816	Model: L330D
Brand: Volvo	Serial: 61001-70000	Group/Section: 211/100	Title: Cylinder head



Volvo Construction
Equipment Group
EJ 106A

Pos	Part	Q1	Q2	Q3	Q4	Q5	PS	Kit	Description	Option(s)	Remark
	VOE1556599	6							Cylinder head		
1	VOE1556600	6					SE		•Cylinder head		
2	VOE1556148	12							••Valve seat		Inlet
3	VOE1556149	12							••Valve seat		Outlet
4	VOE20355012	12							••Valve guide		(VOE1556607)
5	VOE1556604	12					SS		••Valve Guide		
6	VOE1556989	24							••Core plug		(VOE1543937)
7	VOE468463	24							••Gasket		
8	VOE14025455	12							••Cylinder Pin		
9	VOE1543492	6							••Pin		
10	VOE955077	6							••Plug		

<https://www.ebooklibonline.com>

Hello dear friend!

Thank you very much for reading.

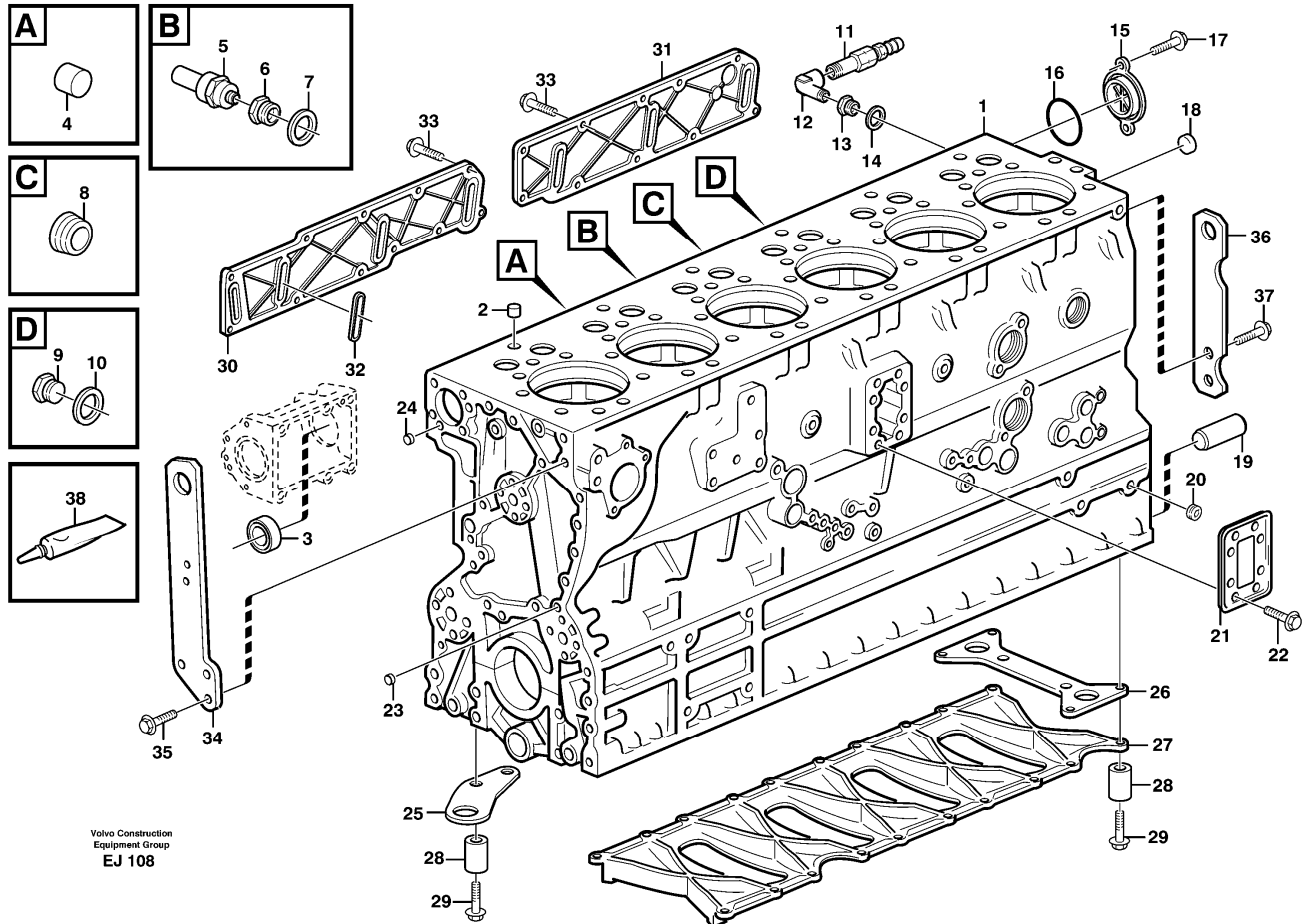
Enter the link into your browser.

The full manual is available for immediate download.

<https://www.ebooklibonline.com>

11	VOE3964715	12							••Plug		
12	VOE276836	6							••Repair kit		
13	VOE1543223	6					NS		•••Sleeve		
14	VOE1543606	6					NS		•••Ring		
15	VOE1543574	6							•••Ring		
16	VOE1543225	6					NS		•••Sealing ring		
17	VOE1556073	12							•Pin		
18	VOE1556896	12							•Exhaust valve		
19	VOE1556064	12							•Sealing ring		
20	VOE1543870	12							•Valve spring		
21	VOE1543871	12							•Valve spring		
22	VOE1543866	12							•Spring washer		
23	VOE1543078	24							•Valve sleeve		
24	VOE1556813	12							•Inlet valve		
25	VOE1556064	12							•Sealing ring		
26	VOE1543872	12							•Valve spring		
27	VOE1543046	12							•Spring washer		
28	VOE1543078	24							•Valve sleeve		
29	VOE271085	6							Gasket kit		
30	VOE8192189	12							•Sealing ring		
31	VOE1543576	6							•Sealing ring		
32	VOE11702307	12							•Sealing ring		
33	VOE1556956	36							Screw		

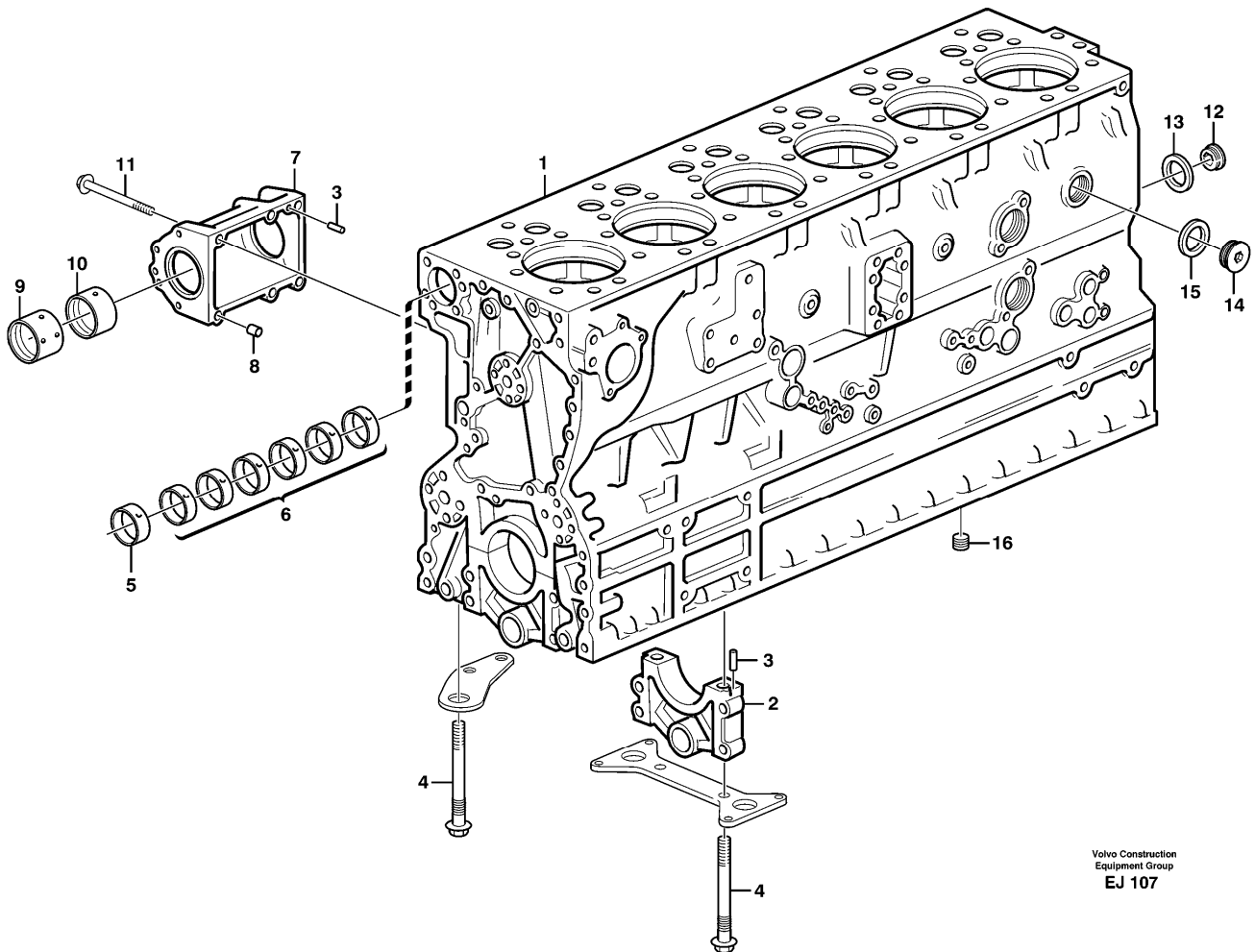
Date: 2014/3/6	Image id: EJ108	Catalogue: 97816	Model: L330D
Brand: Volvo	Serial: 61001-70000	Group/Section: 212/100	Title: Cylinder block



Pos	Part	Q1	Q2	Q3	Q4	Q5	PS	Kit	Description	Option(s)	Remark
1	VOE1556500	1							Cylinder block		See ref 212/150
2	VOE1543693	6							Guide sleeve		
3		1							Sealing ring		See ref 236/125
4	VOE417588	1							Guide sleeve		
5	VOE11039249	1							Pressure monitor		SE202, ENG - 37248
	VOE11039575	1							Pressure sensor		SE202, ENG 37249 -
6	VOE421528	1							Reduction		
7	VOE13947622	1							Plane gasket		
8	VOE13968063	1							Plug		(VOE968063)
9	VOE960631	1							Plug		
10	VOE13947622	1							Plane gasket		
11	VOE13974320	1							Tap		
12	VOE13977409	1							Elbow nipple		

13	VOE13948867	1							Nipple		
14	VOE13947627	1							Plane gasket		
15	VOE1542242	1							Cover		
16	VOE968971	1							O-ring		
17	VOE13946173	2							Screw		
18	VOE946778	1							Cap plug		
19	VOE191171	1							Pin		
20	VOE981193	1							Plug		
21	VOE1543593	1							Hatch		
22	VOE13965175	8							Screw		
23	VOE13955083	2							Cap plug		
24	VOE13967853	1							Cap plug		
25	VOE1543589	4							Stiffening plate		
26	VOE1556797	5							Stiffener		
27	VOE1556670	1							Stiffener		
28	VOE11999695	8							Spacer sleeve		
29	VOE13965192	28							Screw		
30	VOE1543486	1							Hatch		
31	VOE1543488	1							Hatch		
32	VOE469606	7							Sealing ring		
33	VOE13945444	18							Screw		M8 x 25 MM
	VOE946470	1							Flange screw		M8 x 35 MM
	VOE13946752	2							Screw		M10 x 35 MM
34	VOE1543652	1							Tensioner		
35	VOE13965191	3							Screw		
36		1					NS		Tensioner		
37	VOE13968436	2							Screw		
38	VOE11713514	REQ							Sealant		(VOE1161231)

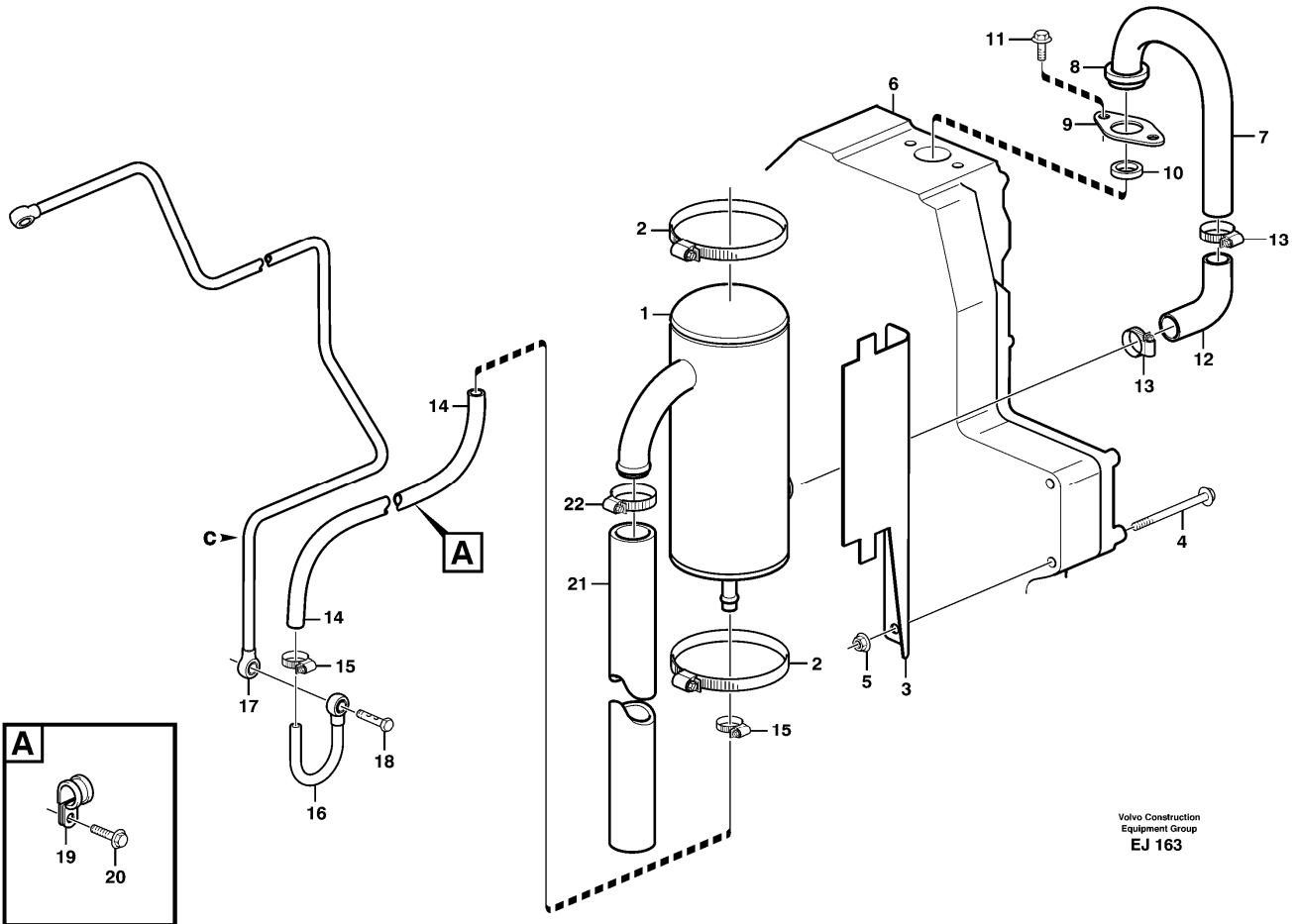
Date: 2014/3/6	Image id: EJ107	Catalogue: 97816	Model: L330D
Brand: Volvo	Serial: 61001-70000	Group/Section: 212/150	Title: Cylinder block



Volvo Construction
Equipment Group
EJ 107

Pos	Part	Q1	Q2	Q3	Q4	Q5	PS	Kit	Description	Option(s)	Remark
	VOE1556500	1							Cylinder block		
1		1					NS		•Cylinder block		
2		7					NS		•Cap		
3		8							•Pin		See ref 236/125
4	VOE1543412	14							•Screw		
5	VOE1556514	1							•Bushing		
6	VOE1556515	6							•Bushing		
7		1					NS		•Bearing housing		See ref 236/125
8		1							•Guide Sleeve		See ref 236/125
9		1							•Bushing		See ref 236/125
10		1							•Bushing		See ref 236/125
11		4							•Flange screw		See ref 236/125

Date: 2014/3/6	Image id: EJ163	Catalogue: 97816	Model: L330D
Brand: Volvo	Serial: 61001-70000	Group/Section: 212/200	Title: Crankcase ventilation

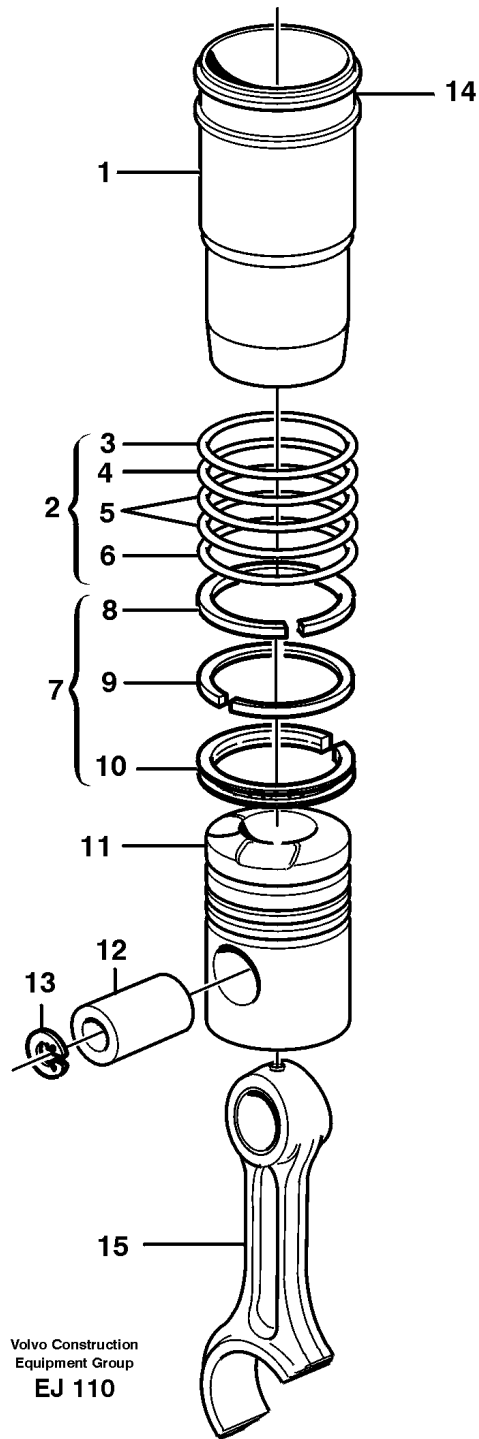


Volvo Construction
Equipment Group
EJ 163

Pos	Part	Q1	Q2	Q3	Q4	Q5	PS	Kit	Description	Option(s)	Remark
1	VOE11033878	1							Oil trap		
2	VOE961676	2							Hose clamp		(VOE977135)
3	VOE11032101	1							Bracket		
4	VOE965197	2							Flange screw		(VOE13965197)
5	VOE13971096	2							Flange nut		
6		1							Gearbox		See ref 215/100
7	VOE11032102	1							Pipe		
8	VOE11032104	1					NS		•Bushing		
9	VOE11032105	1							Washer		
10	VOE421629	1							Sealing ring		
11	VOE946440	2							Flange screw		
12	VOE11032106	1							Hose		
13	VOE943475	2							Hose clamp		
14	VOE983342	REQ							Hose		(VOE977316)L = 900

											MM
15	VOE943470	2							Hose clamp		
16	VOE11030944	1							Pipe		
17		1							Oil return pipe		See ref 236/200
18		1							Hollow screw		See ref 236/200
19	VOE952629	1							Clamp		
20	VOE13946544	1							Screw		
21	VOE927661	REQ							Rubber hose		L = 1400 MM
22	VOE943475	1							Hose clamp		

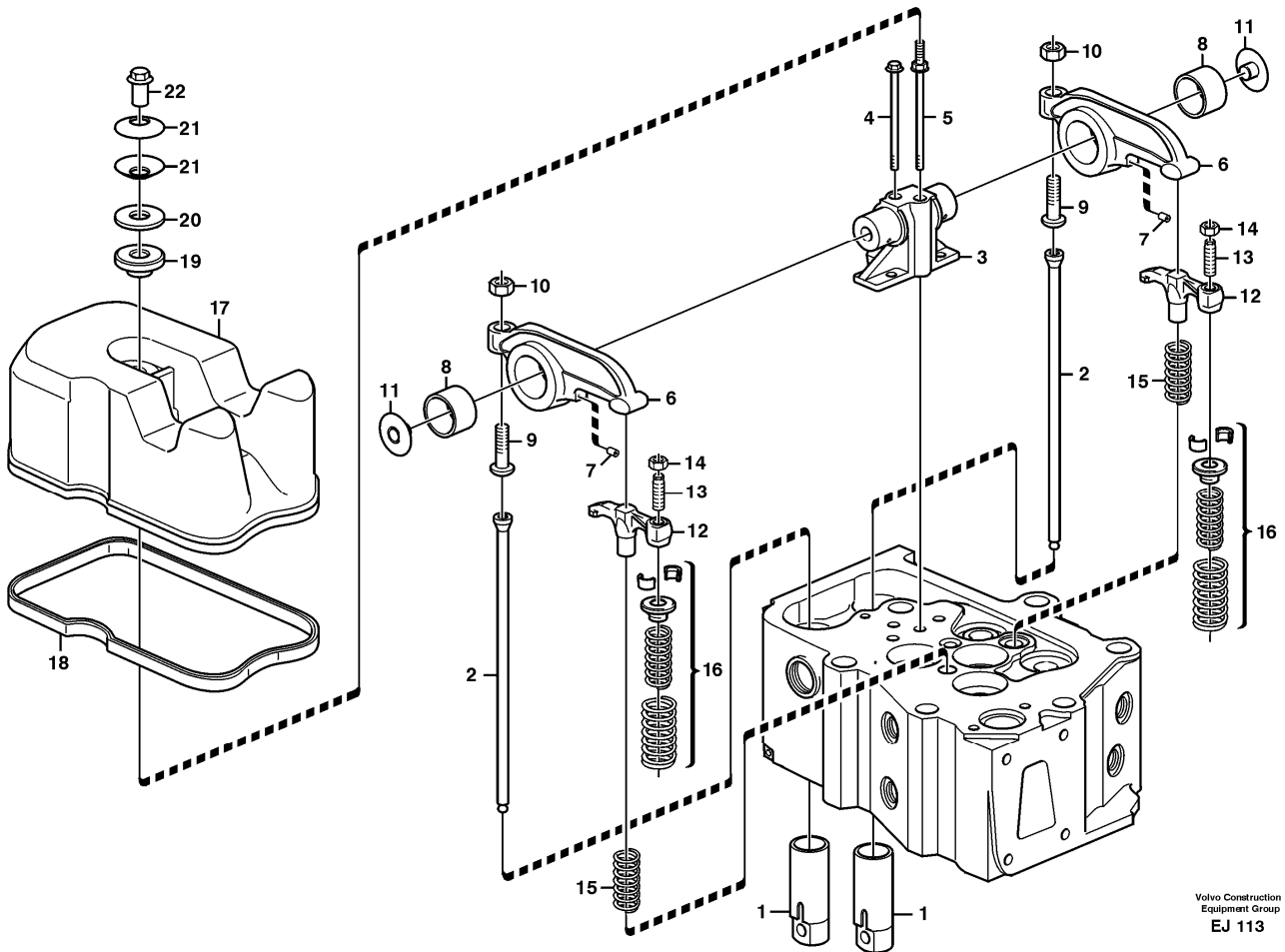
Date: 2014/3/6	Image id: EJ110	Catalogue: 97816	Model: L330D
Brand: Volvo	Serial: 61001-70000	Group/Section: 213/100	Title: Cylinder liner and piston



Pos	Part	Q1	Q2	Q3	Q4	Q5	PS	Kit	Description	Option(s)	Remark
	VOE11703762	6					SS		Cylinder liner kit		

1	VOE1556533	6					NS		•Cylinder Liner		
2	VOE270935	6							•Sealing kit		
3	VOE1543507	6					NS		••Sealing ring		
4	VOE1543501	6					NS		••Sealing ring		
5	VOE1543568	12					NS		••Sealing ring		
6	VOE1543373	6					NS		••Sealing ring		
7	VOE276840	6							•Piston ring kit		
8	VOE1556578	6					NS		••Compression ring		
9	VOE1556566	6					NS		••Compression ring		
10	VOE1556580	6					NS		••Compression ring		
11	VOE1556963	6					NS		•Piston		
12	VOE1556939	6							•Piston Pin		
13	VOE914532	12							•Retaining ring		
14	VOE1548125	REQ							Shim		THICK = 1,2 MM
	VOE1548126	REQ							Shim		THICK = 0,3 MM
	VOE1548127	REQ							Shim		THICK = 0,5 MM
15		1							Connecting rod		See ref 216/100

Date: 2014/3/6	Image id: EJ113	Catalogue: 97816	Model: L330D
Brand: Volvo	Serial: 61001-70000	Group/Section: 214/100	Title: Valve mechanism

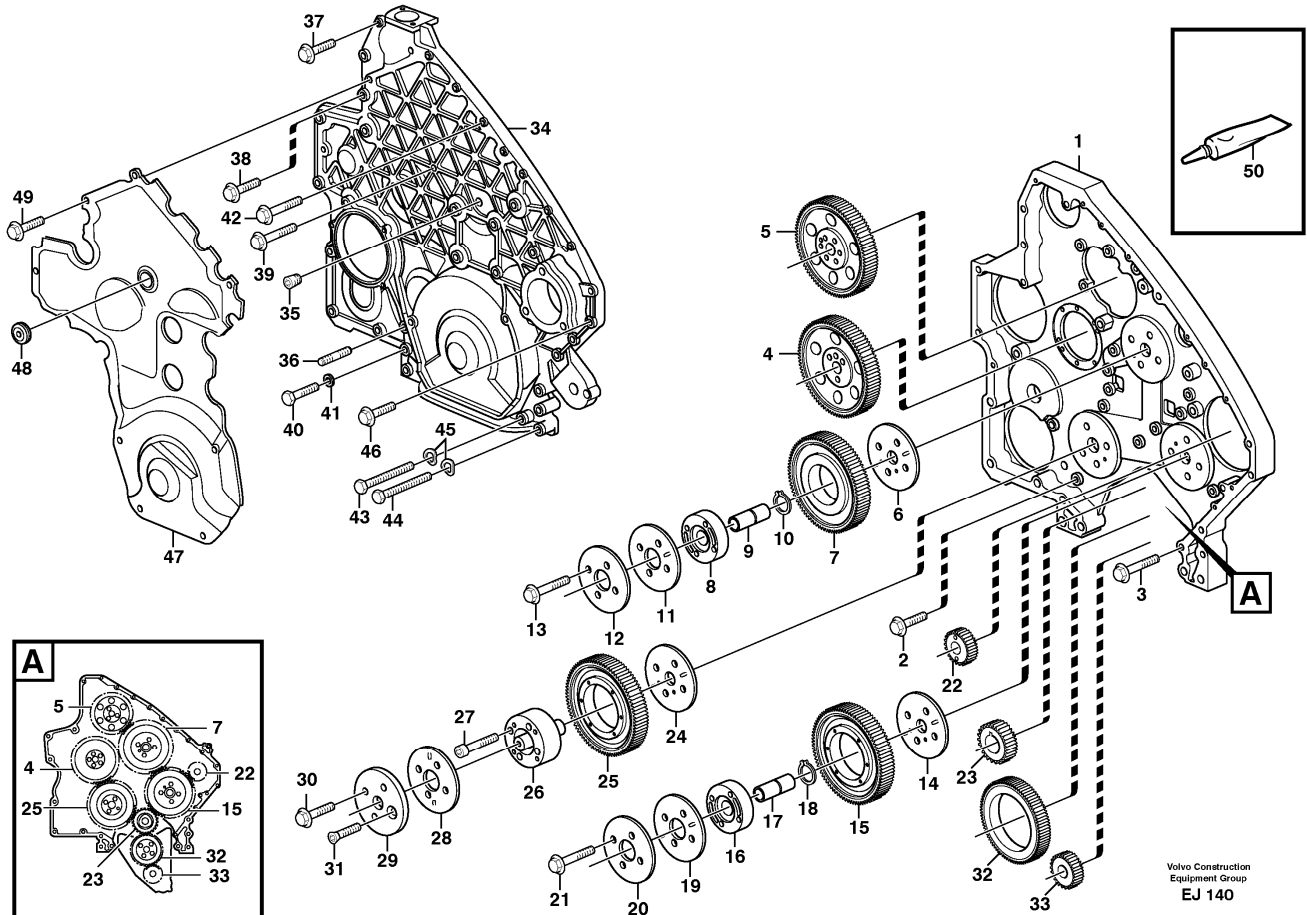


Volvo Construction
Equipment Group
EJ 113

Pos	Part	Q1	Q2	Q3	Q4	Q5	PS	Kit	Description	Option(s)	Remark
1	VOE1556947	12							Tappet		
2	VOE1543048	12					SS		Push Rod		
3	VOE1543476	6							Bearing bracket		
4	VOE13975105	6							Flange screw		
5	VOE11999700	6							Stud		
6	VOE1543441	12							Rocker arm		
7	VOE1543723	24					NS		•Jet		
8	VOE1543443	12							•Bushing		
9	VOE1543372	12							•Screw		
10	VOE13946911	12							•Nut		
11	VOE1543508	12							Lock plug		
12	VOE1556167	12							Yoke		
13	VOE1543368	12							•Adjusting screw		

14	VOE13946911	12							•Nut		
15	VOE1543981	12							Compression spring		
16		12							Valve collet		See ref 211/100
17	VOE1543469	6							Valve cover		
18	VOE1543581	6							Sealing strip		
19	VOE1543582	6							Ring		
20	VOE1543657	6							Washer		
21	VOE13943819	12							Disc spring		
22	VOE1543654	6							Cap nut		

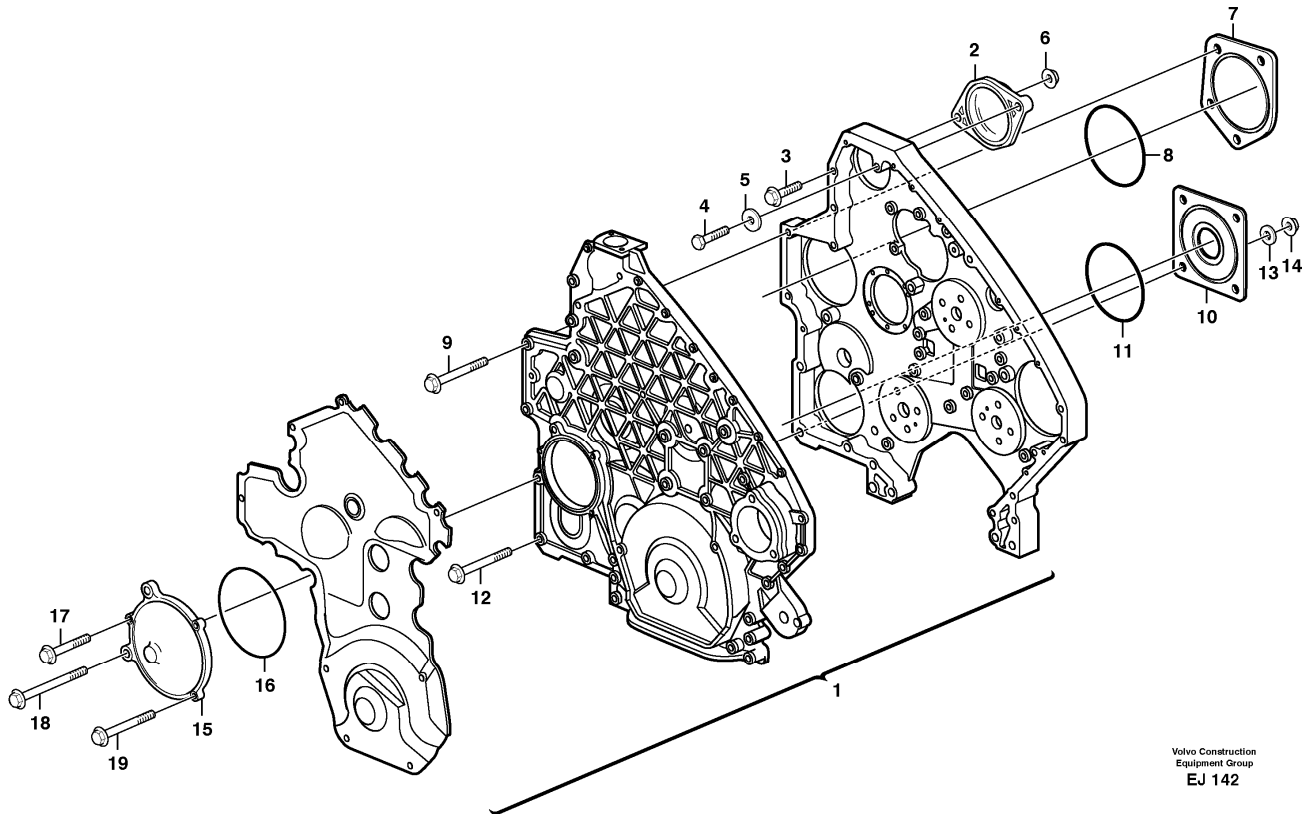
Date: 2014/3/6	Image id: EJ140	Catalogue: 97816	Model: L330D
Brand: Volvo	Serial: 61001-70000	Group/Section: 215/100	Title: Timing gear casing and gears



Pos	Part	Q1	Q2	Q3	Q4	Q5	PS	Kit	Description	Option(s)	Remark
1	VOE1556660	1							Timing gear casing		
2	VOE13978266	14							Flange screw		M8 x 35 MM
3	VOE13978267	1							Flange screw		M8 x 50 MM
4		1							Gear		See ref 236/150
5		1							Gear		See ref 215/250
6	VOE1543598	1							Thrust washer		
7	VOE1543897	1							Idler		
8	VOE11999702	1							Hub		
9	VOE1543597	1							•Pin		
10	VOE914459	1							•Retaining ring		
11	VOE11999703	1							Thrust washer		
12	VOE1543901	1							Bearing shield		
13	VOE471513	4							Screw		

- 14	VOE1543598	1							Thrust washer		
15	VOE1543445	1							Idler		
16	VOE11999702	1							Hub		
17	VOE1543597	1							•Pin		
18	VOE914459	1							•Retaining ring		
19	VOE11999703	1							Thrust washer		
20	VOE1543901	1							Bearing shield		
21	VOE471513	4							Screw		
22		1							Gear		See ref 262/250
23		1							Gear		See ref 216/100
24	VOE1543598	1							Thrust washer		
25	VOE1556652	1							Idler gear		
26	VOE1556649	1							Hub		
27	VOE13974111	4							Allen Hd Screw		
28	VOE1556651	1							Thrust washer		
29	VOE1556650	1							Bearing shield		
30	VOE13975204	3							Flange screw		
31	VOE13944830	1							Allen Head Screw		
32		1							Idler gear		See ref 221/150
33		1							Gear		See ref 221/150
34	VOE1556413	1							Timing gear cover		
35	VOE3964715	1							•Plug		
36	VOE13978443	1							•Stud		
37	VOE13947760	6							Screw		M8 x 40 MM
38	VOE13965220	4							Screw		M10 x 45 MM
39	VOE13947790	3							Screw		M10 x 80 MM
40	VOE13970993	1							Hexagon screw		M14 x 25 MM
41	VOE13969011	1							Gasket		
42	VOE13965182	2							Screw		M8 x 80 MM
43	VOE13971010	2							Hexagon screw		M14 x 130 MM
44	VOE13971012	5							Hexagon screw		M14 x 150 MM
45	VOE941911	7							Spring washer		
46	VOE13948217	1							Screw		M8 x 45 MM
47	VOE1556176	1							Noise shield		
48	VOE943920	1							Plug		
49	VOE13946501	9							Screw		
50	VOE1161277	REQ							Sealant		20 GRAM
	VOE11713514	REQ							Sealant		(VOE1161231)304 ML

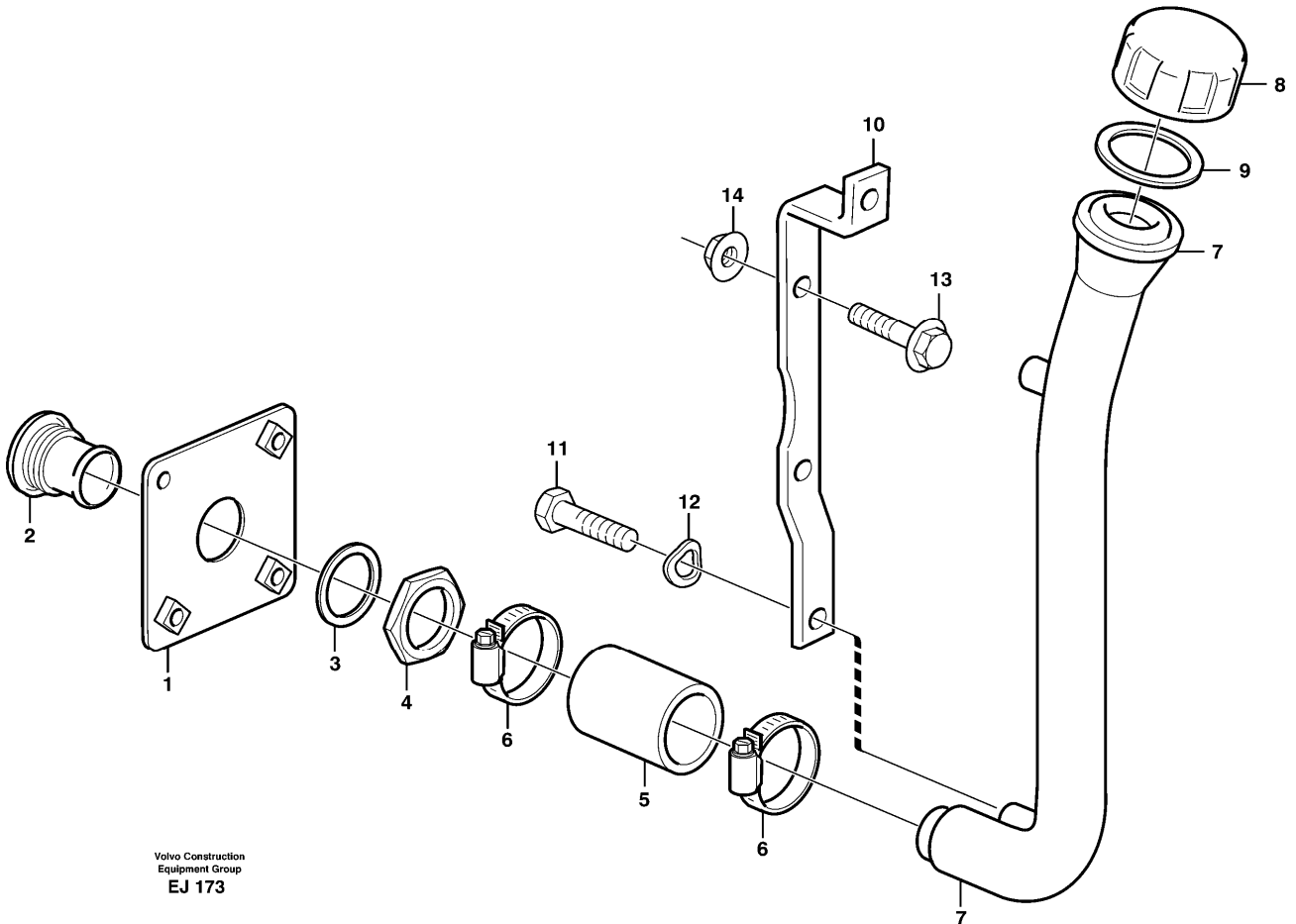
Date: 2014/3/6	Image id: EJ142	Catalogue: 97816	Model: L330D
Brand: Volvo	Serial: 61001-70000	Group/Section: 215/150	Title: Timing gear casing and covers



Volvo Construction
Equipment Group
EJ 142

Pos	Part	Q1	Q2	Q3	Q4	Q5	PS	Kit	Description	Option(s)	Remark
1		1							Tmg gear casing		See ref 215/100
2	VOE468093	1							Cover		
3	VOE13965189	1							Screw		
4	VOE970961	1							Hexagon screw		(VOE13970961)
5	VOE190509	1							Washer		
6	VOE13971095	2							Flange nut		
7	VOE1556208	1							Cover		
8	VOE13948888	1							O-ring		
9	VOE946473	1							Flange screw		L = 90 MM
10	VOE11032078	1							Cover		
11	VOE13948888	1							O-ring		
12	VOE946473	1							Flange screw		L = 90 MM
	VOE965197	1							Flange screw		(VOE13965197)L = 100 MM
	VOE13970986	1							Hexagon screw		L = 140 MM
13	VOE13955897	1							Washer		

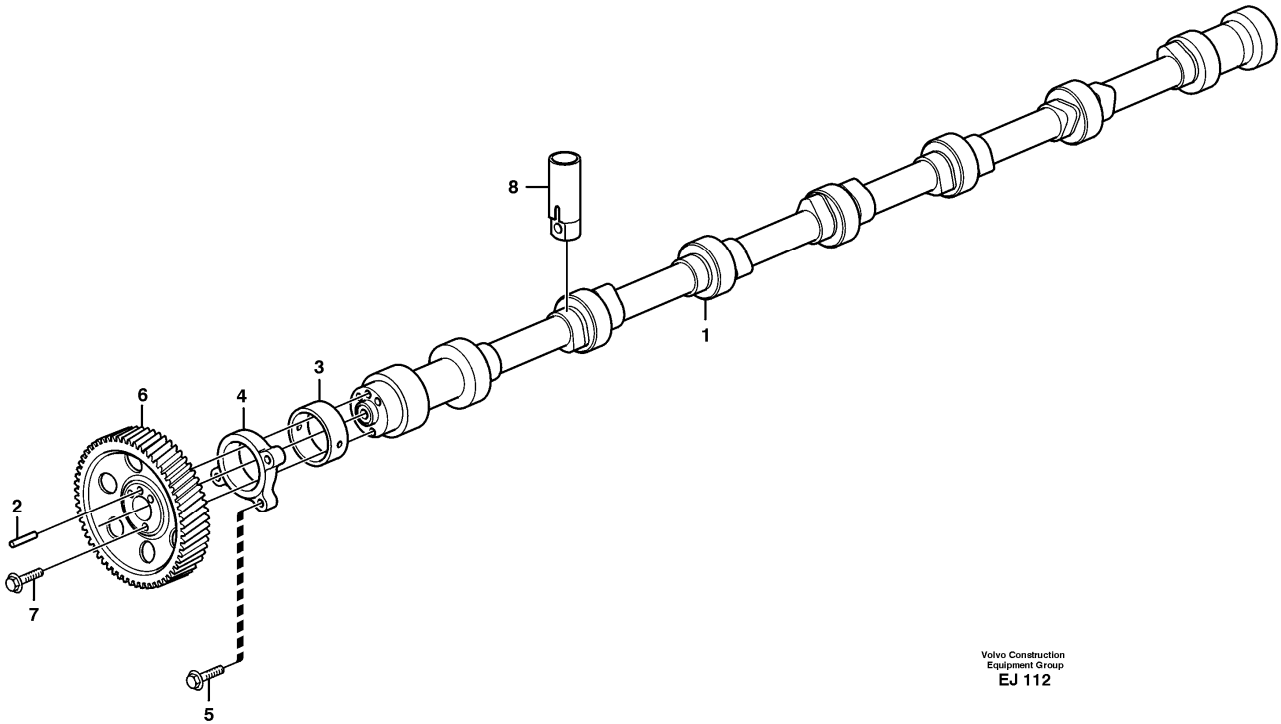
Date: 2014/3/6	Image id: EJ173	Catalogue: 97816	Model: L330D
Brand: Volvo	Serial: 61001-70000	Group/Section: 215/200	Title: Filler pipe



Volvo Construction
Equipment Group
EJ 173

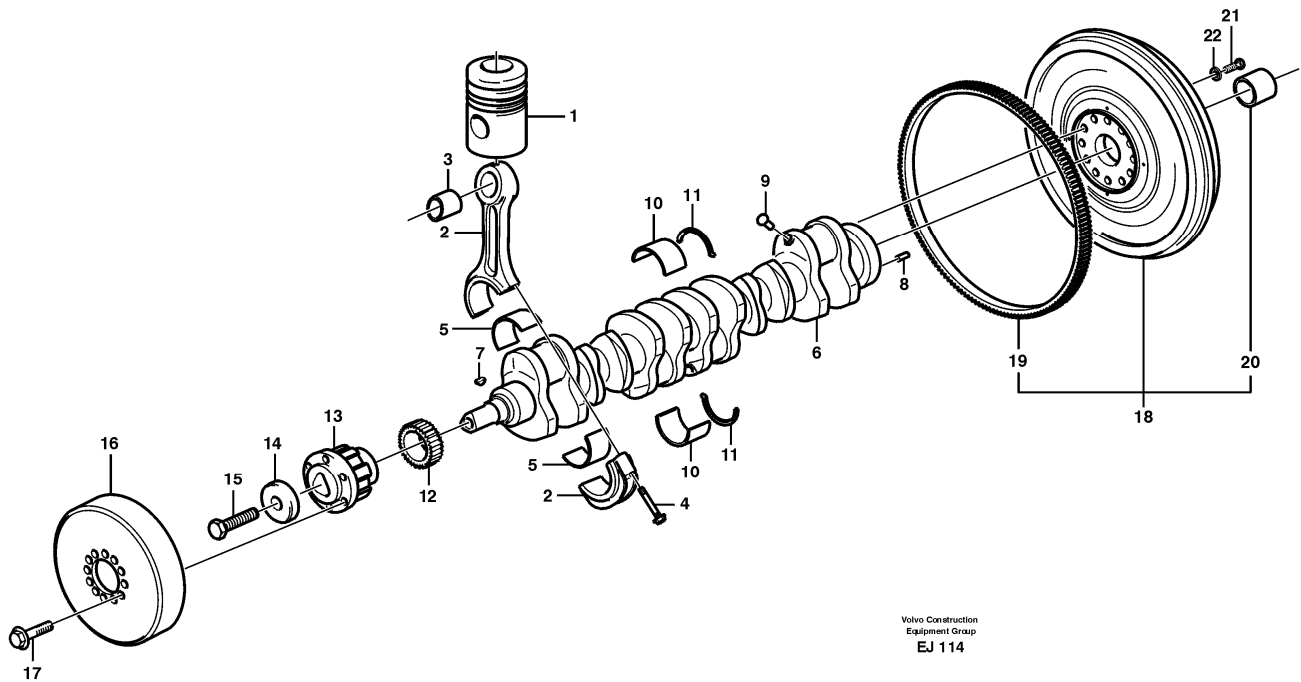
Pos	Part	Q1	Q2	Q3	Q4	Q5	PS	Kit	Description	Option(s)	Remark
1		1							Cover		See ref 215/150
2	VOE468940	1							Hose connection		
3	VOE468947	1							Sealing ring		
4	VOE468948	1							Nut		
5	VOE942711	REQ							Hose		L = 45 MM
6	VOE943478	2							Hose clamp		(VOE13961671)
7	VOE822885	1							Filler pipe		
8	VOE3547599	1					SS		Oil filler cap		
9	VOE1275379	1							•Gasket		
10	VOE11031693	1							Bracket		
11	VOE13955523	2							Screw		
12	VOE13941907	2							Washer		
13	VOE13946173	2							Screw		

Date: 2014/3/6	Image id: EJ112	Catalogue: 97816	Model: L330D
Brand: Volvo	Serial: 61001-70000	Group/Section: 215/250	Title: Camshaft



Pos	Part	Q1	Q2	Q3	Q4	Q5	PS	Kit	Description	Option(s)	Remark
1	VOE1543704	1							Camshaft		
2	VOE950588	1							•Pin		
3		7							Bushing		See ref 212/150
4	VOE1543839	1							Thrust bearing		
5	VOE946671	3							Flange screw		
6	VOE1543899	1							Gear		
7	VOE13965220	3							Screw		
8		12							Tappet		See ref 214/100

Date: 2014/3/6	Image id: EJ114	Catalogue: 97816	Model: L330D
Brand: Volvo	Serial: 61001-70000	Group/Section: 216/100	Title: Crankshaft and related parts

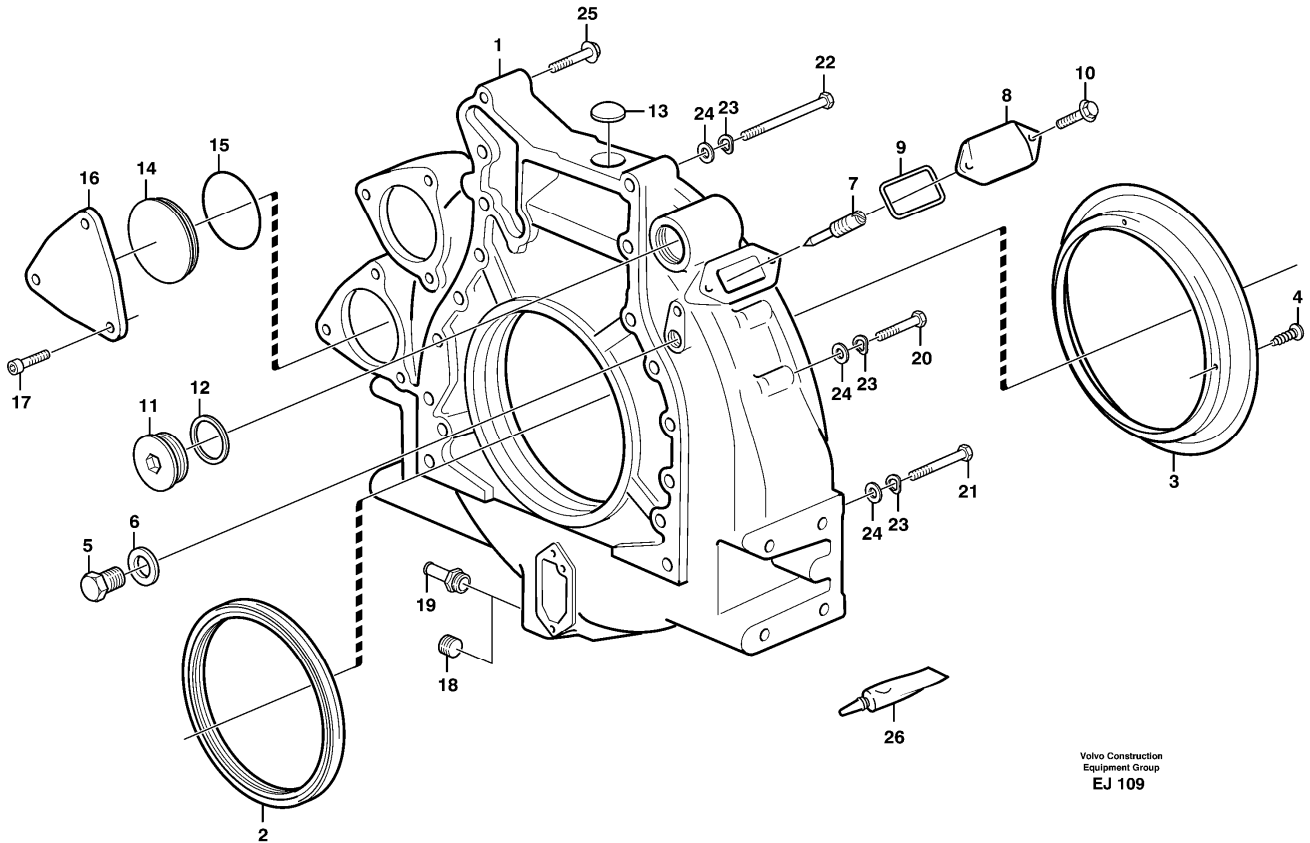


Volvo Construction
Equipment Group
EJ 114

Pos	Part	Q1	Q2	Q3	Q4	Q5	PS	Kit	Description	Option(s)	Remark
1		1							Piston		See ref 213/100
2	VOE1556319	6							Connecting rod		
3	VOE1556321	6							•Bushing		
4	VOE1543035	6							•Screw		
5	VOE270796	6							Piston Bearing		STD
	VOE270797	6							Piston Bearing		0,25 MM U SZ
	VOE270798	6							Piston Bearing		0,50 MM U SZ
	VOE270799	6							Piston Bearing		0,75 MM U SZ
6	VOE24424603	1							Crankshaft		
7	VOE422253	1							•Key		
8	VOE950644	1							•Pin		
9	VOE13978130	6							•Plug		
10	VOE270792	7							Main bearing kit		STD
	VOE270793	7							Main bearing kit		0,25 MM U SZ
	VOE270794	7							Main bearing kit		0,50 MM U SZ
	VOE270795	7							Main bearing kit		0,75 MM U SZ
11	VOE270929	1							Thrust washer kit		STD
	VOE270930	1							Thrust washer kit		0,10 MM O SZ
	VOE270931	1							Thrust washer kit		0,20 MM O SZ
	VOE270932	1							Thrust washer kit		0,30 MM O SZ

12	VOE1556173	1							Gear		
13	VOE1556974	1							Hub		
14	VOE422124	1							Washer		
15	VOE1543316	1							Screw		
16	VOE1543834	1							Vibration damper		
17	VOE13965220	12							Screw		
18	VOE11032159	1							Flywheel		
19	VOE8193939	1							•Gear ring		(VOE471532)
20	VOE11031838	1							•Sleeve		
21	VOE1677893	14							Screw		
22	VOE1543563	14							Washer		

Date: 2014/3/6	Image id: EJ109	Catalogue: 97816	Model: L330D
Brand: Volvo	Serial: 61001-70000	Group/Section: 216/150	Title: Flywheel housing

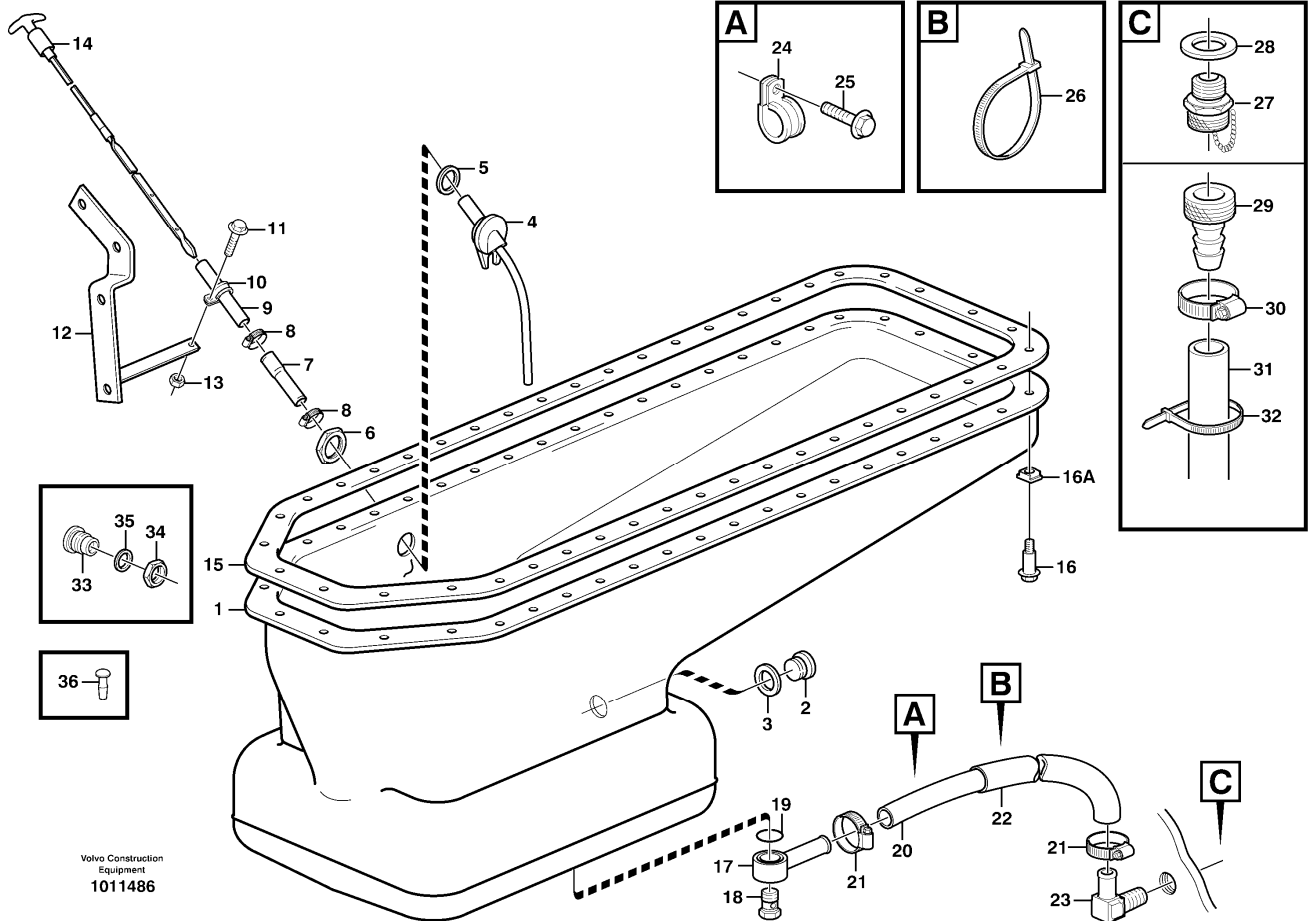


Volvo Construction
Equipment Group
EJ 109

Pos	Part	Q1	Q2	Q3	Q4	Q5	PS	Kit	Description	Option(s)	Remark
1	VOE11032150	1							Flywheel housing		
2	VOE1543896	1							Sealing ring		
3	VOE11030271	1							Oil deflector ring		
4	VOE13905650	4							Drive screw		
5	VOE180761	1							Plug		
6	VOE7011996	1							Gasket		
7	VOE1543173	1							Setting indicator		
8	VOE4772168	2							Cover		
9	VOE4804167	2							Gasket		
10	VOE13946934	4							Screw		
11	VOE467367	1							Plug		
12	VOE1556907	1							Gasket		
13	VOE955100	1							Expansion plug		
14	VOE11032027	1							Cover		
15	VOE967344	1							O-ring		
16	VOE849135	1						OP	Cover		

17	VOE13959253	3							Allen Hd Screw		
18	VOE968145	1							Plug		
19		1							Nipple		See ref 421/200
20	VOE971003	10							Hexagon screw		(VOE13971003)M14 x 70 MM
21	VOE971005	2							Hexagon screw		(VOE13971005)M14 x 80 MM
22	VOE13971008	2							Hexagon screw		M14 x 110 MM
23	VOE941911	14							Spring washer		
24	VOE955899	14							Washer		
25	VOE13965181	1							Screw		
26	VOE1161277	REQ							Sealant		20 GRAM
	VOE11713514	REQ							Sealant		(VOE1161231)304 ML

Date: 2014/3/6	Image id: 1011486	Catalogue: 97816	Model: L330D
Brand: Volvo	Serial: 61001-70000	Group/Section: 217/100	Title: Oil sump

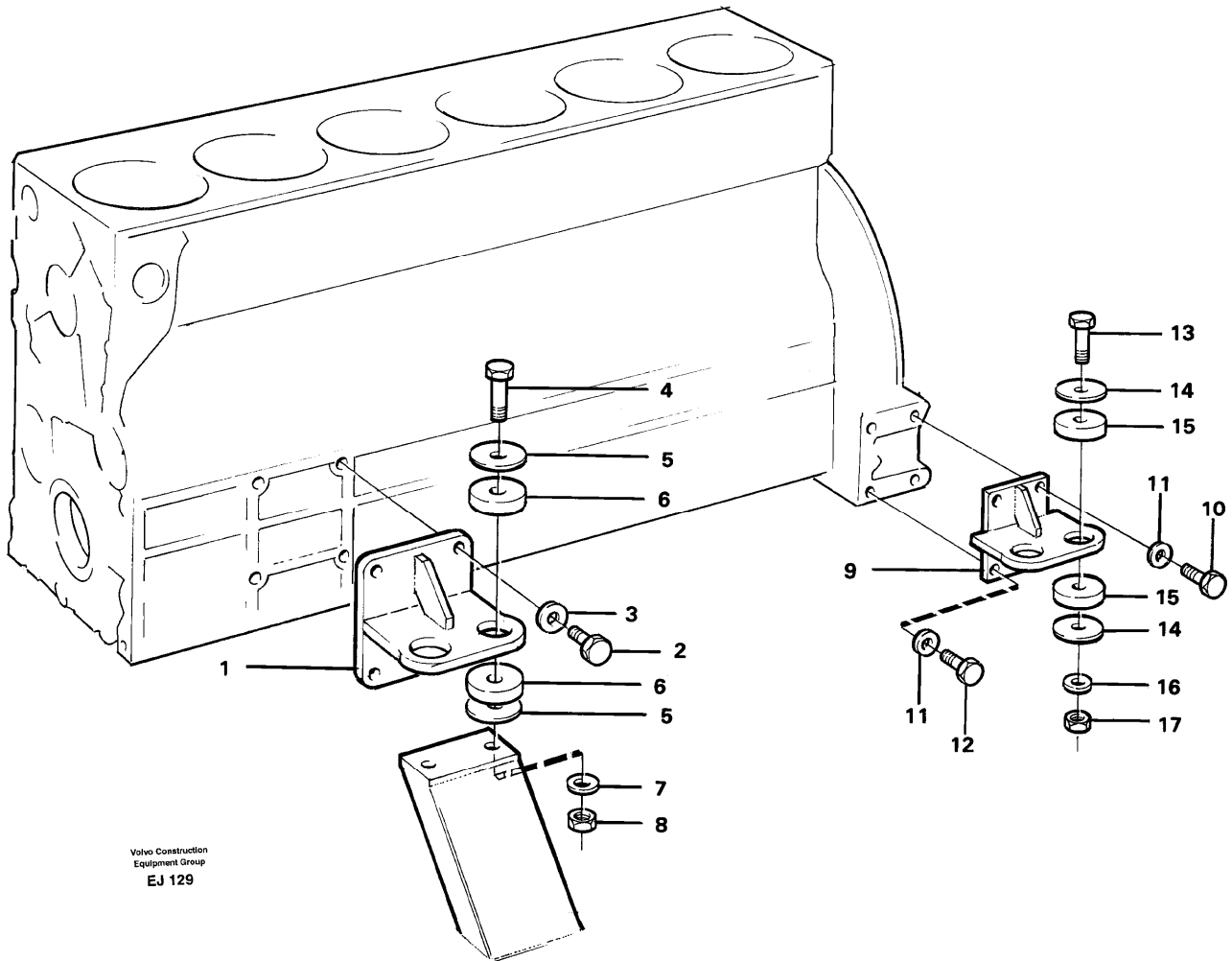


Volvo Construction
Equipment
1011486

Pos	Part	Q1	Q2	Q3	Q4	Q5	PS	Kit	Description	Option(s)	Remark
1	VOE11032172	1							Oil pan		(VOE3825323)
2	VOE946086	1							Plug		
3	VOE949329	1							Gasket		
4	VOE11032215	1							Tube		(VOE11032167)
5	VOE468947	1							Sealing ring		
6	VOE468948	1							Nut		
7	VOE8149606	1							Rubber hose		
8	VOE13943472	2							Hose clamp		
9	VOE11032079	1							Plastic pipe		
10	VOE13949747	1							Clamp		
11	VOE946440	1							Flange screw		
12	VOE11032083	1							Anchorage		
13	VOE13945408	1							Nut		
14	VOE11032089	1							Oil dipstick		

15	VOE1556387	1							Gasket		(VOE864775)
16	VOE1556083	44							Flange screw		
16A	VOE420991	44							Rubber cushion		
17	VOE11109866	1							Oil draining pipe		
18	VOE11109227	1							Hollow screw		
19	VOE13955997	2							O-ring		
20	VOE13961193	REQ							Hydraulic hose		L = 1200 MM
21	VOE943473	2							Hose clamp		
22	VOE11109855	1							Hose		
23	VOE961611	1							Elbow nipple		
24	VOE981653	1							Clamp		
25	VOE13946173	1							Screw		
26	VOE4881440	1							Cable tie		
27	VOE11054692	1							Valve		
28	VOE949329	1							Gasket		
29	VOE11054659	1							Connector		
30	VOE943473	1							Hose clamp		
31	VOE13961193	REQ							Hydraulic hose		L = 600 MM
32	VOE4881440	1							Cable tie		
33	VOE470475	1					NS		Plug		
34	VOE468948	1							Nut		
35	VOE468947	1							Sealing ring		
36	VOE13943353	44							Rivet		

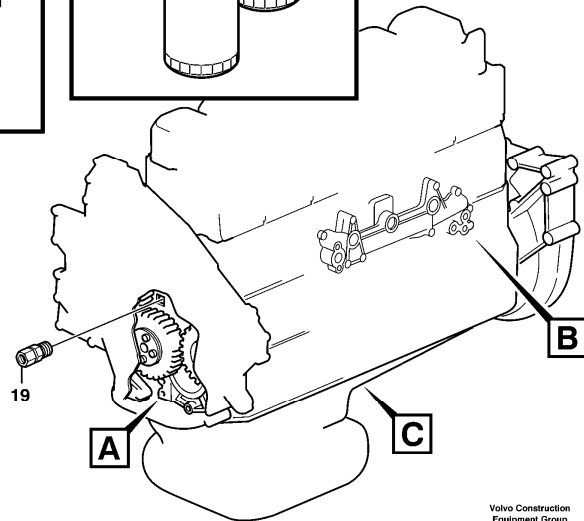
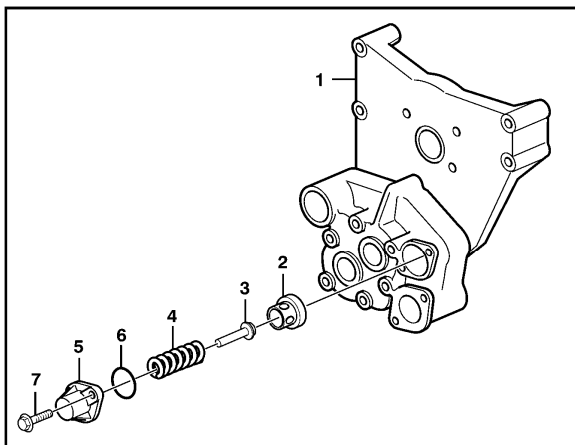
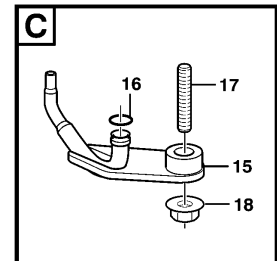
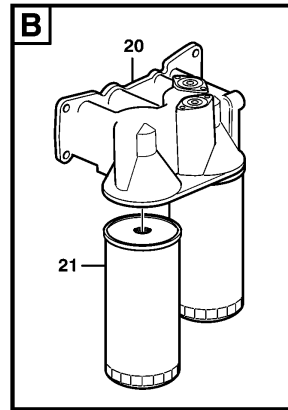
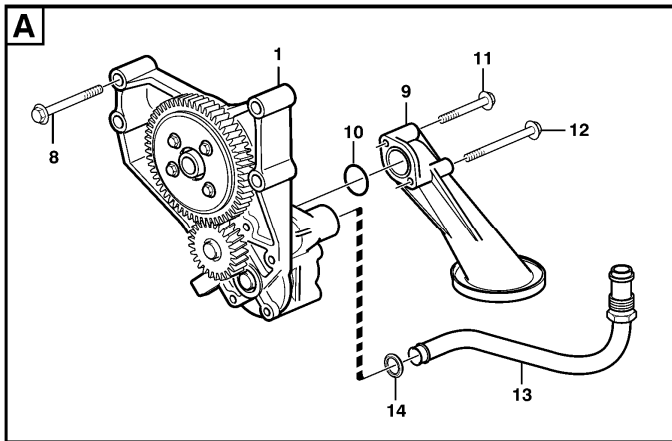
Date: 2014/3/6	Image id: EJ129	Catalogue: 97816	Model: L330D
Brand: Volvo	Serial: 61001-70000	Group/Section: 218/100	Title: Engine mounting



Volvo Construction
Equipment Group
EJ 129

Pos	Part	Q1	Q2	Q3	Q4	Q5	PS	Kit	Description	Option(s)	Remark
1	VOE11109447	2							Support		
2	VOE13955366	8							Screw		
3	VOE2560247	16							Washer		
4	VOE982234	4							Screw		(VOE13811156)
5	VOE12580854	8							Washer		
6	VOE1501227	8							Base		
7	VOE13811436	4							Washer		
8	VOE13811196	4							Lock nut		
9	VOE11079610	2							Support		
10	VOE13955366	4							Screw		
11	VOE2560247	16							Washer		
12	VOE955373	4							Hexagon screw		

Date: 2014/3/6	Image id: EJ117	Catalogue: 97816	Model: L330D
Brand: Volvo	Serial: 61001-70000	Group/Section: 221/100	Title: Lubricating oil system

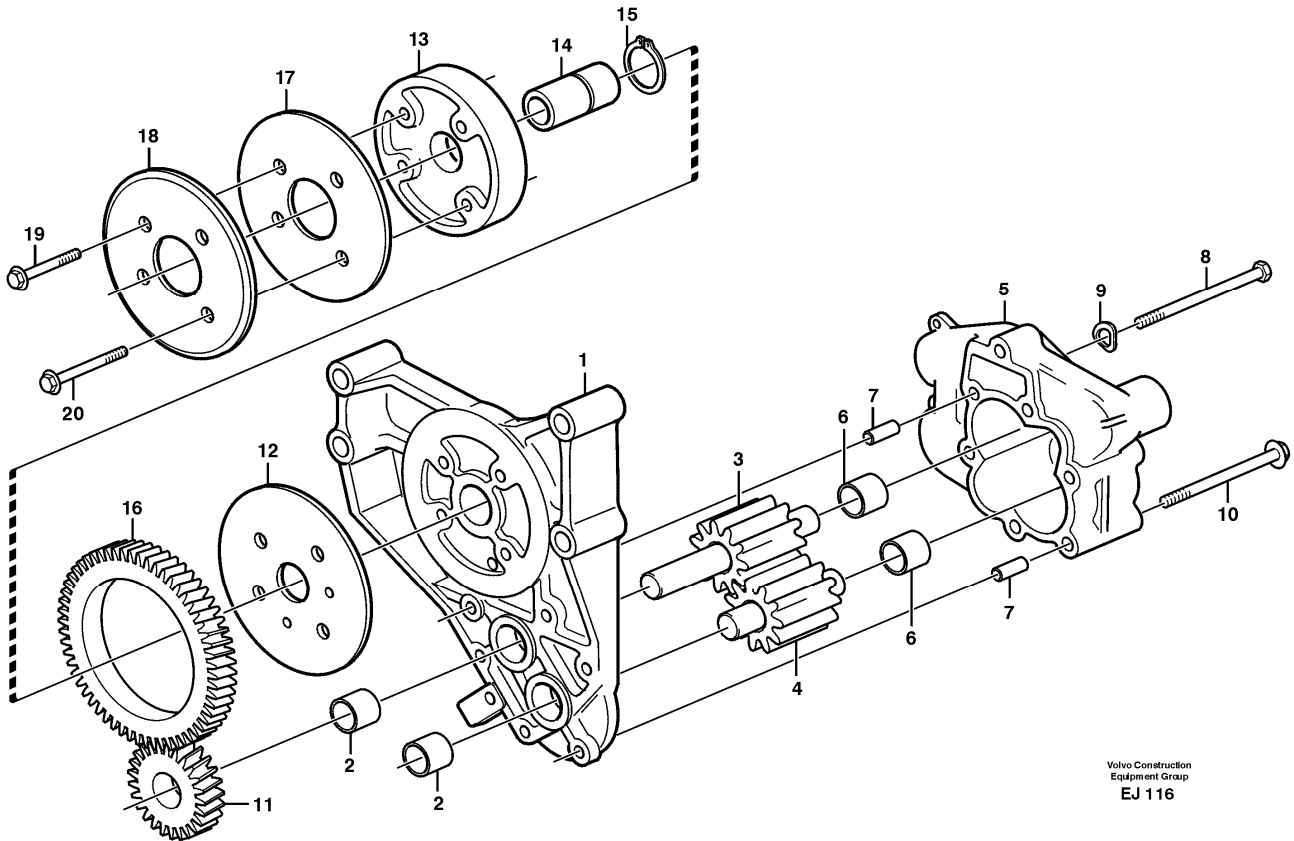


Volvo Construction
Equipment Group
EJ 117

Pos	Part	Q1	Q2	Q3	Q4	Q5	PS	Kit	Description	Option(s)	Remark
1	VOE1556730	1							Oil pump		(VOE11703489) See ref 221/150
2	VOE1543964	1							Seat		
3	VOE1543610	1							Peg		
4	VOE1543630	1							Compression spring		
5	VOE1543608	1							Valve		
6	VOE949659	1							O-ring		
7	VOE13945444	2							Screw		
8	VOE13965186	4							Screw		
9	VOE1543988	1							Oil strainer		
10	VOE13949722	1							O-ring		
11	VOE13965180	1							Screw		L = 60 MM
12	VOE13965183	1							Flange screw		L = 90 MM
13	VOE1556464	1							Delivery pipe		

14	VOE1543578	1							Sealing ring		
15	VOE1556430	6							Piston cooling jet		
16	VOE955981	6							•O-ring		
17	VOE1556434	6							Stud		
18	VOE13945408	6							Nut		
19	VOE1556445	1							Nozzle		
20		1							Housing		See ref 222/100
21		2							Oil filter		See ref 222/100

Date: 2014/3/6	Image id: EJ116	Catalogue: 97816	Model: L330D
Brand: Volvo	Serial: 61001-70000	Group/Section: 221/150	Title: Oil pump



Volvo Construction
Equipment Group
EJ 116

Pos	Part	Q1	Q2	Q3	Q4	Q5	PS	Kit	Description	Option(s)	Remark
	VOE1556730	1							Oil pump		(VOE11703489)
1	VOE1543965	1							•Bracket		
2	VOE1543978	2						K	••Bushing		
3		1					NS	K	•Gear		
4		1					NS	K	•Gear		
	VOE1556019	1							•Oil pump housing		
5	VOE1556020	1					NS		••Housing		
6	VOE1543978	2						K	•••Bushing		
7	VOE401146	2							••Guide sleeve		
8	VOE100223	3							•Screw		
9	VOE13941907	3							•Washer		
10	VOE13965183	3							•Flange screw		
11	VOE1556097	1							•Gear		
12	VOE1543598	1							•Thrust washer		
13	VOE11999702	1							•Hub		
14	VOE1543597	1							••Pin		



Suggest:

For more complete manuals. Please go to the home page.

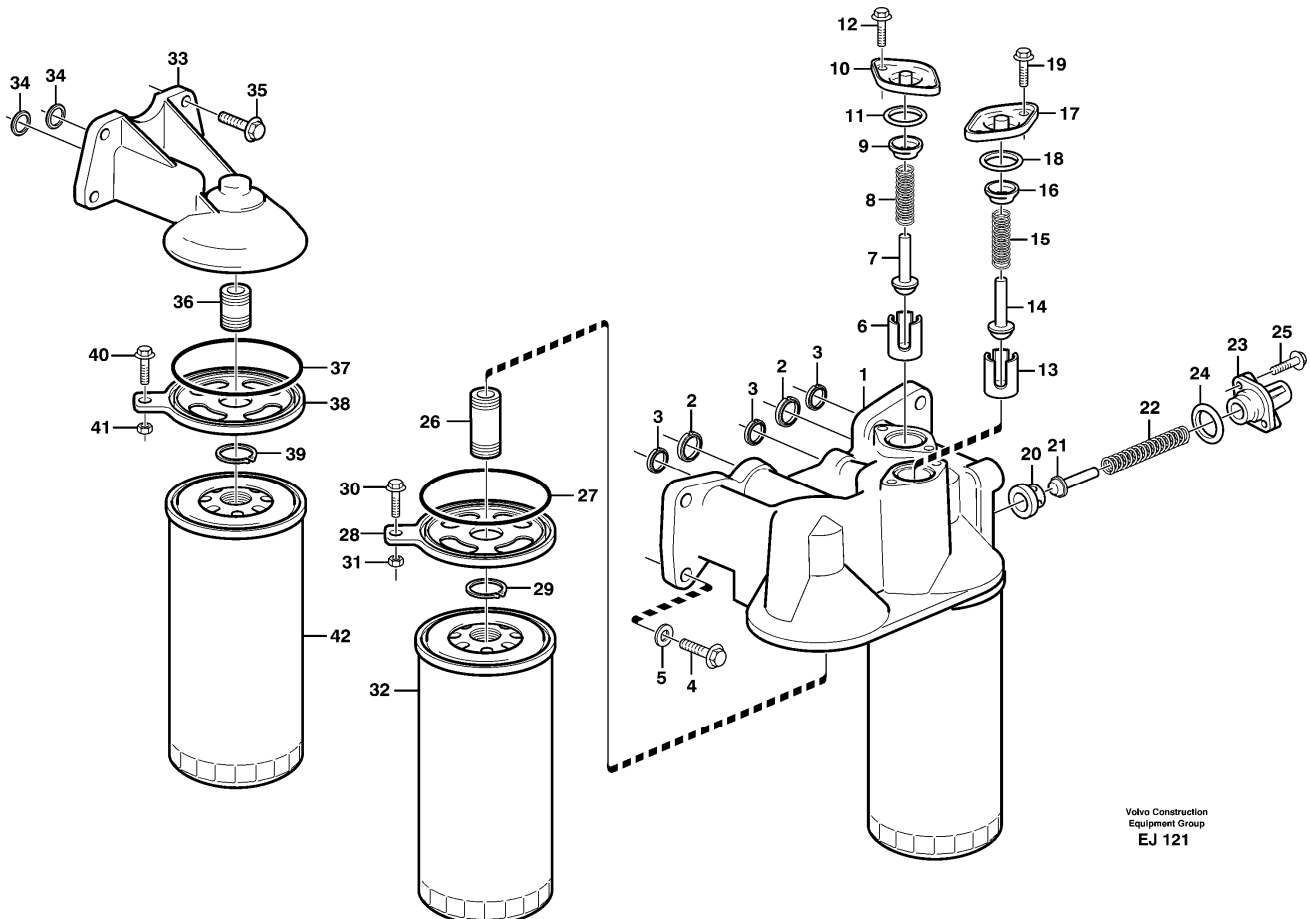
<https://www.ebooklibonline.com>

If the above button click is invalid. Please download this document first, and then click the above link to download the complete manual.

Thank you so much for reading

15	VOE914459	1							••Retaining ring		
16	VOE1543450	1							•Idler gear		
17	VOE11999703	1							•Thrust washer		
18	VOE1543901	1							•Bearing shield		
19	VOE13965186	3							•Screw		L = 50 MM
20	VOE13965188	1							•Screw		L = 70 MM
	VOE276871	1							Repair kit		

Date: 2014/3/6	Image id: EJ121	Catalogue: 97816	Model: L330D
Brand: Volvo	Serial: 61001-70000	Group/Section: 222/100	Title: Oil filter



Volvo Construction
Equipment Group
EJ 121

Pos	Part	Q1	Q2	Q3	Q4	Q5	PS	Kit	Description	Option(s)	Remark
1	VOE1543466	1							Housing		
2	VOE8192187	2							Sealing ring		
3	VOE8192189	3							Sealing ring		
4	VOE946671	3							Flange screw		L = 30 MM
	VOE946470	1							Flange screw		L = 35 MM
5	VOE930840	1							Washer		(VOE13961169)
6	VOE1542265	1							Valve seat		
7	VOE471085	1							Valve cone		
8	VOE466653	1							Compression spring		
9	VOE11987588	1							Sleeve		
10	VOE1542267	1							Cover		
11	VOE1556948	1							Sealing ring		
12	VOE13945414	2							Flange screw		
13	VOE1542265	1							Valve seat		

<https://www.ebooklibonline.com>

Hello dear friend!

Thank you very much for reading.

Enter the link into your browser.

The full manual is available for immediate download.

<https://www.ebooklibonline.com>