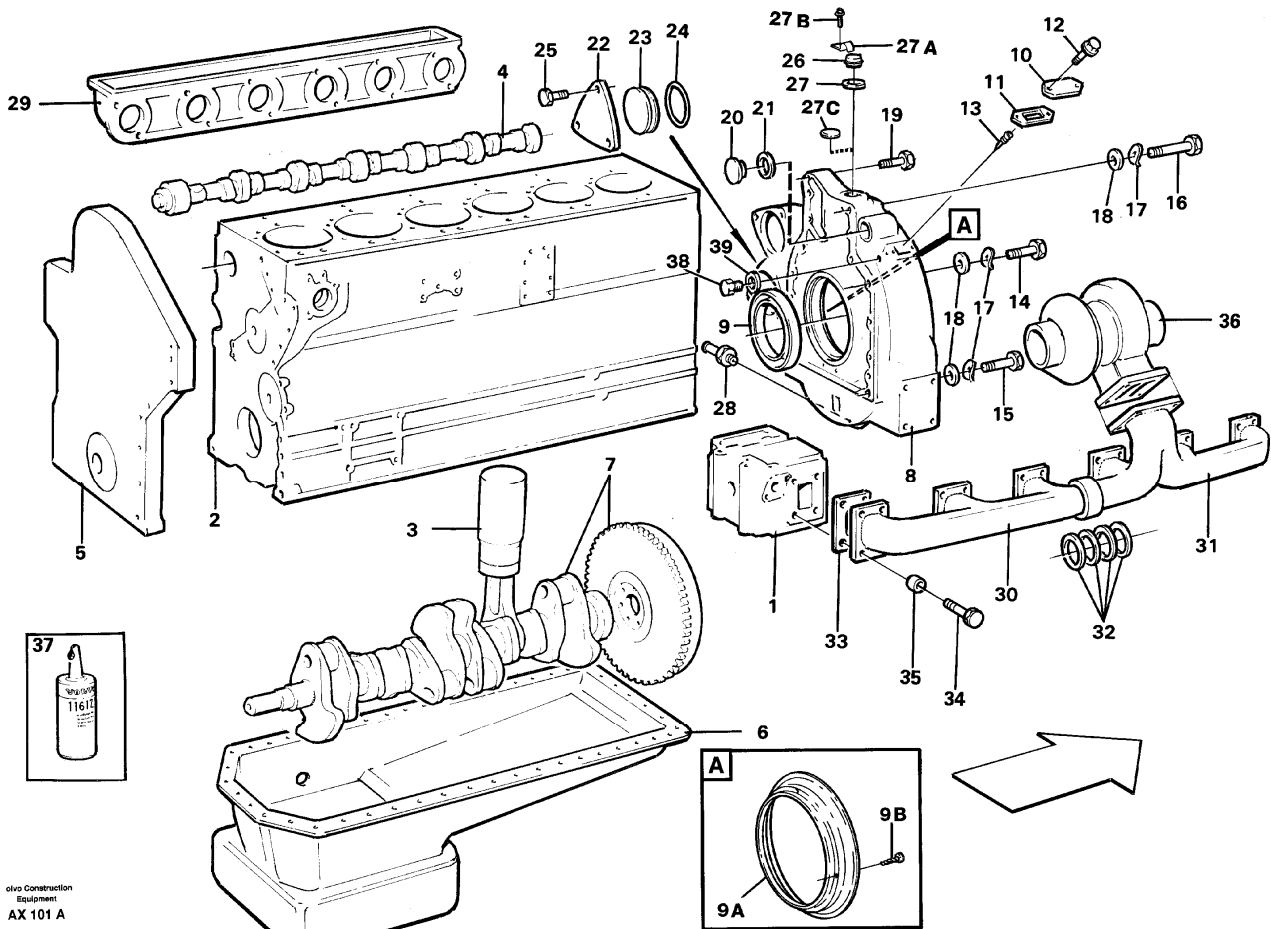


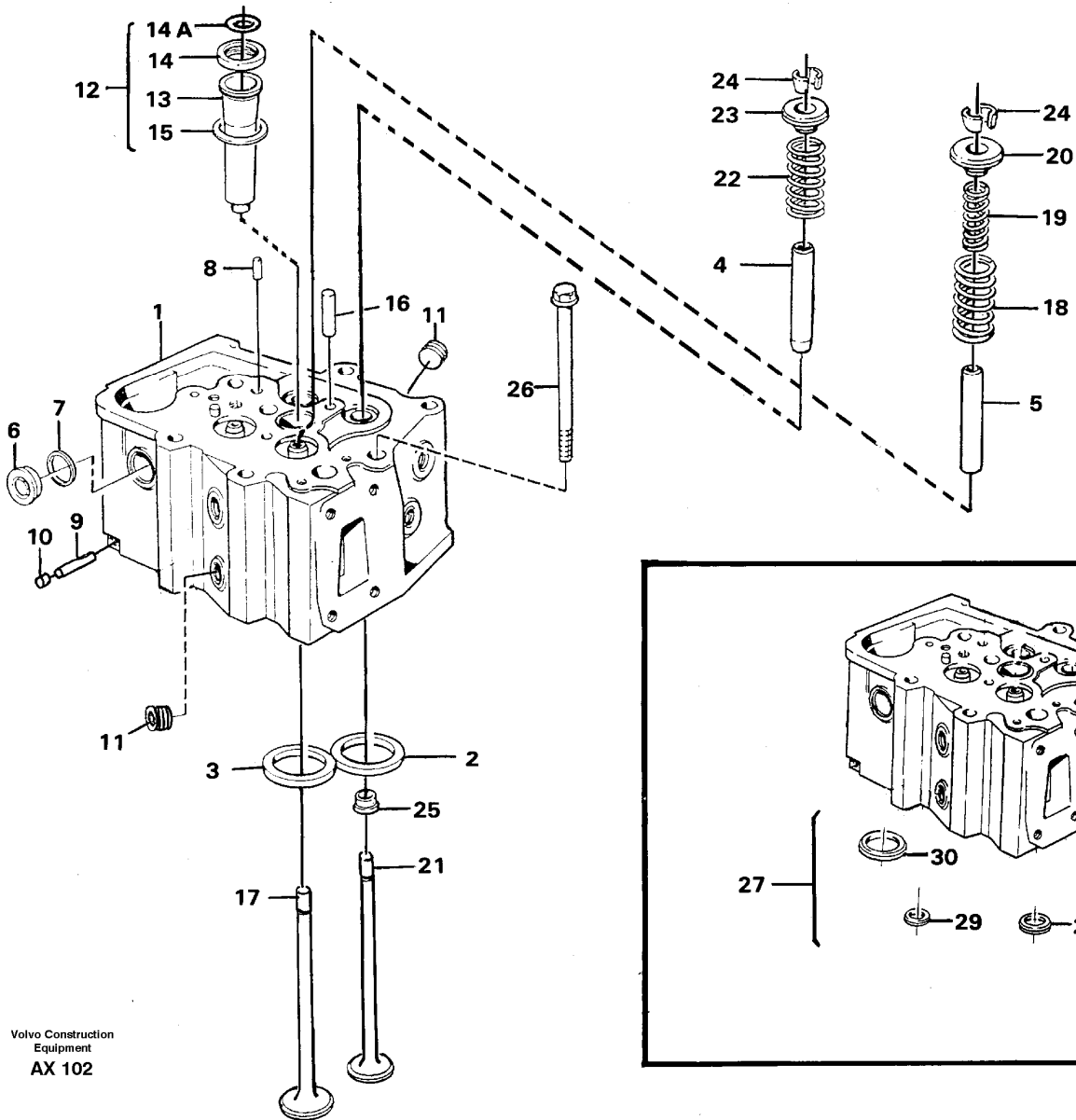
Date: 2014/3/10	Image id: AX101A	Catalogue: 97788	Model: L330C LL
Brand: Volvo	Serial: 68052-70000	Group/Section: 210/150	Title: Engine with fitting parts



Pos	Part	Q1	Q2	Q3	Q4	Q5	PS	Kit	Description	Option(s)	Remark
	VOE15004535	1							Engine		(VOE497773)TD 164 KAE
1		1							•Cylinder head		See ref 211/100
2		1							•Cylinder block		See ref 212/100
3		1							•Cylinder liner		See ref 213/100
4		1							•Valve mechanism		See ref 214/100
		1							•Camshaft		See ref 215/100
5									•Timing gear casing		See ref 215/100
		1							•••and gears		
6		1							•Oil sump		See ref 217/100
7		1							•Crankshaft		See ref 216/100
8	VOE11701055	1					SS		Flywheel housing		(11032062), ENG - 28293

	VOE11032160	1					SS		Flywheel housing		ENG 28294 -
9	VOE1543896	1							•Sealing ring		
9A	VOE11030271	1							Oil deflector ring		ENG 28294 -
9B	VOE13905650	4							Drive screw		ENG 28294 -
10	VOE4772168	2							Cover		
11	VOE4804167	2							Gasket		
12	VOE13946934	4							Screw		
13	VOE4772141	1					SS		Setting Indicator		
14	VOE971003	10							Hexagon screw		(VOE13971003) M14x70 MM
15	VOE971005	2							Hexagon screw		(VOE13971005) M14x80 MM
16	VOE13971008	2							Hexagon screw		M14x110 MM
17	VOE941911	14							Spring washer		
18	VOE955899	14							Washer		
19	VOE13965181	1							Screw		M8x70 MM
20	VOE467367	1							Plug		
21	VOE1556907	1							Gasket		(VOE469328)
22	VOE849135	1					OP		Cover		
23	VOE11032027	1							Cover		
24	VOE967344	1							O-ring		
25	VOE13959253	3							Allen Hd Screw		
26	VOE11031785	1							Plug		ENG - 28293
27	VOE421158	1							Sealing ring		ENG - 28293
27A	VOE11032071	1							Clamp		ENG - 28293
27B	VOE13944926	1							Screw		ENG - 28293
27C	VOE955100	1							Expansion plug		ENG 28294 -
28		1							Nipple		See ref 421/200
29		1							Inlet manifold		See ref 258/100
30	VOE1543534	1							Exhaust pipe		
31	VOE11032263	1							Exhaust pipe		
32	VOE470323	4							Sealing ring		
33	VOE11987587	6					SS		Gasket		
34	VOE13965189	24							Screw		
35	VOE1546517	24							Spacer sleeve		
36		1							Turbocharger		See ref 255/100
37	VOE11713514	REQ							Sealant		(VOE1161231)
38	VOE180761	1							Plug		
39	VOE7011996	1							Gasket		

Date: 2014/3/10	Image id: AX102	Catalogue: 97788	Model: L330C LL
Brand: Volvo	Serial: 68052-70000	Group/Section: 211/100	Title: Cylinder head



Volvo Construction
Equipment
AX 102

Pos	Part	Q1	Q2	Q3	Q4	Q5	PS	Kit	Description	Option(s)	Remark
	VOE1556599	6							Cylinder head		
1	VOE1556600	6					SE		•Cylinder head		
2	VOE1556148	12							••Valve seat		Inlet
3	VOE1556149	12							••Valve seat		Outlet
4	VOE20355012	12							••Valve guide		(VOE1556607)
5	VOE1556604	12					SS		••Valve Guide		
6	VOE1556989	24							••Core plug		(VOE1543937)
7	VOE468463	24							••Gasket		

<https://www.ebooklibonline.com>

Hello dear friend!

Thank you very much for reading.

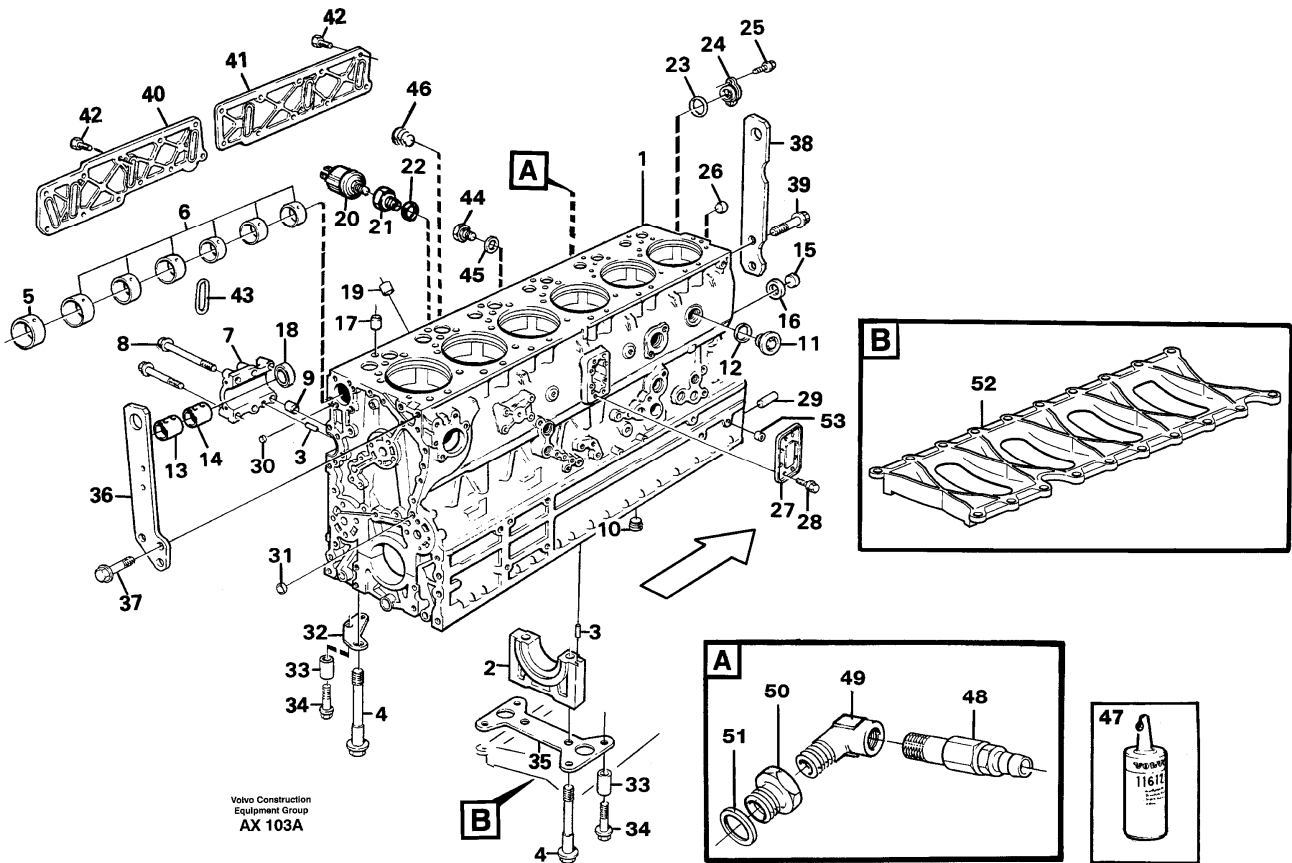
Enter the link into your browser.

The full manual is available for immediate download.

<https://www.ebooklibonline.com>

8	VOE14025455	12							••Cylinder Pin		
9	VOE1543492	6							••Pin		
10	VOE955077	6							••Plug		
11	VOE1543941	12					SS		••Plug		
12	VOE276836	6							••Repair kit		
13	VOE1543223	6					NS		•••Sleeve		
14	VOE1543606	6					NS		•••Ring		
14A	VOE1543574	6							•••Ring		
15	VOE1543225	6					NS		•••Sealing ring		
16	VOE1556073	12							•Pin		
17	VOE1556896	12							•Exhaust valve	(VOE1556820)ENG - 24050	
	VOE1556896	12							•Exhaust valve	ENG 24051 -	
18	VOE1543870	12							•Valve spring		
19	VOE1543871	12							•Valve spring		
20	VOE1543866	12							•Spring washer		
21	VOE1556813	12							•Inlet valve	(VOE1556470)	
22	VOE1543872	12							•Valve spring		
23	VOE1543046	12							•Spring washer		
24	VOE1543078	48							•Valve sleeve		
25	VOE1556064	24							•Sealing ring		
26	VOE1556956	36							Screw		
27	VOE271085	6							Gasket kit		
28	VOE8192189	12							•Sealing ring	(VOE1543566)	
29	VOE1543576	6							•Sealing ring		
30	VOE11702307	12							•Sealing ring		

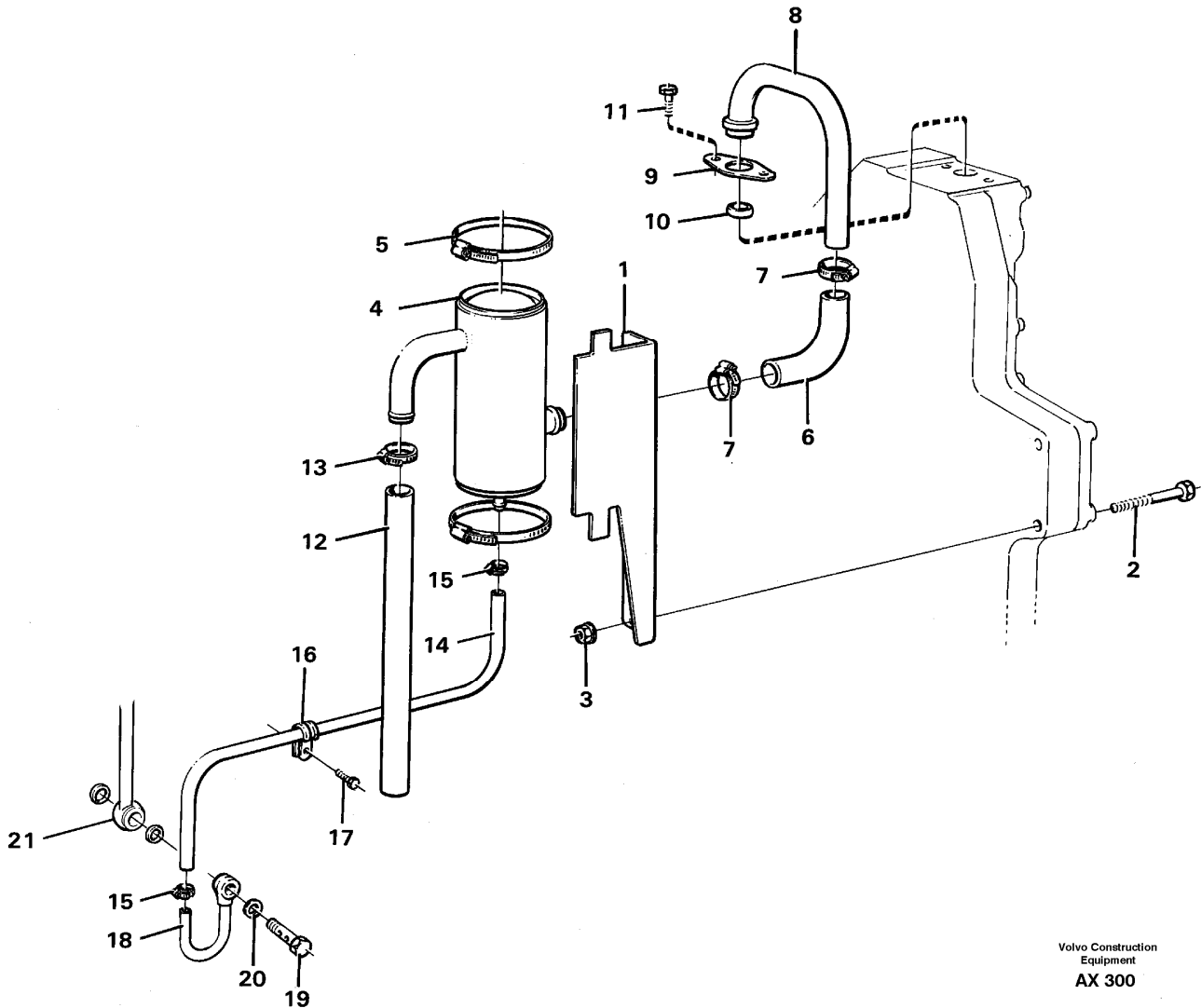
Date: 2014/3/10	Image id: AX103A	Catalogue: 97788	Model: L330C LL
Brand: Volvo	Serial: 68052-70000	Group/Section: 212/100	Title: Cylinder block



Pos	Part	Q1	Q2	Q3	Q4	Q5	PS	Kit	Description	Option(s)	Remark
	VOE1556500	1							Cylinder block		
1		1					NS		•Cylinder block		
2		1					NS		•Cap		
		4					NS		•Cap		
		1					NS		•Cap		
		1					NS		•Cap		
3	VOE422426	8							•Pin		
4	VOE1543412	14							•Screw		
5	VOE1556514	1							•Bushing		
6	VOE1556515	6							•Bushing		
7	VOE1556678	1					OP		•Bearing Housing		
8	VOE13975102	4							•Flange screw		L = 60 MM
	VOE13975105	1							•Flange screw		L = 100 MM
	VOE13975107	1							•Flange screw		L = 120 MM
9	VOE1543693	1							•Guide sleeve		

10	VOE13952079	1							•Plug		(VOE952079)
11	VOE467367	3							•Plug		
12	VOE1556907	3							•Gasket		(VOE469328)
13	VOE1556353	1							•Bushing		(VOE1556199)
14	VOE1556372	1							•Bushing		
15	VOE1547671	1							•Plug		
16	VOE469327	1							•Gasket		(VOE468461)
17	VOE1543693	6							Guide sleeve		
18	VOE1546221	1							Sealing ring		
19	VOE417588	1							Guide sleeve		
20	VOE11039249	1							Pressure monitor		SE16
21	VOE421528	1							Reduction		
22	VOE13947622	1							Plane gasket		
23	VOE968971	1							O-ring		
24	VOE1542242	1							Cover		
25	VOE13946173	2							Screw		
26	VOE946778	1							Cap plug		
27	VOE1543593	1							Hatch		
28	VOE13965175	8							Screw		
29	VOE191171	2							Pin		(VOE7191171)
30	VOE13967853	1							Cap plug		(VOE955081)
31	VOE13955083	2							Cap plug		(VOE955083)
32	VOE1543589	4							Stiffening plate		
33	VOE11999695	28							Spacer sleeve		ENG - 28340
	VOE11999695	8							Spacer sleeve		ENG 28341 -
34	VOE13965192	28							Screw		
35	VOE1556797	5							Stiffener		(VOE1543590)
36	VOE1543652	1							Tensioner		
37	VOE13965191	3							Screw		
38		1					NS		Lifting eye		
39	VOE13968436	2							Screw		
40	VOE1543486	1							Hatch		
41	VOE1543488	1							Hatch		
42	VOE13945444	18							Screw		M8 x 25 MM
	VOE13946752	2							Screw		M10 x 35 MM
	VOE946470	1							Flange screw		M8 x 35 MM
43	VOE469606	7							Sealing ring		(VOE1556388)
44	VOE960631	1							Plug		M16 x 12 MM
45	VOE13947622	1							Plane gasket		
46	VOE13968063	1							Plug		M16
47	VOE11713514	REQ							Sealant		(VOE1161231)
48	VOE13974320	1							Tap		
49	VOE13977409	1							Elbow nipple		
50	VOE13948867	1							Nipple		
51	VOE13947627	1							Plane gasket		
52	VOE1556670	1							Stiffener		ENG 28341 -
53	VOE981193	1							Plug		M20 x 13 MM

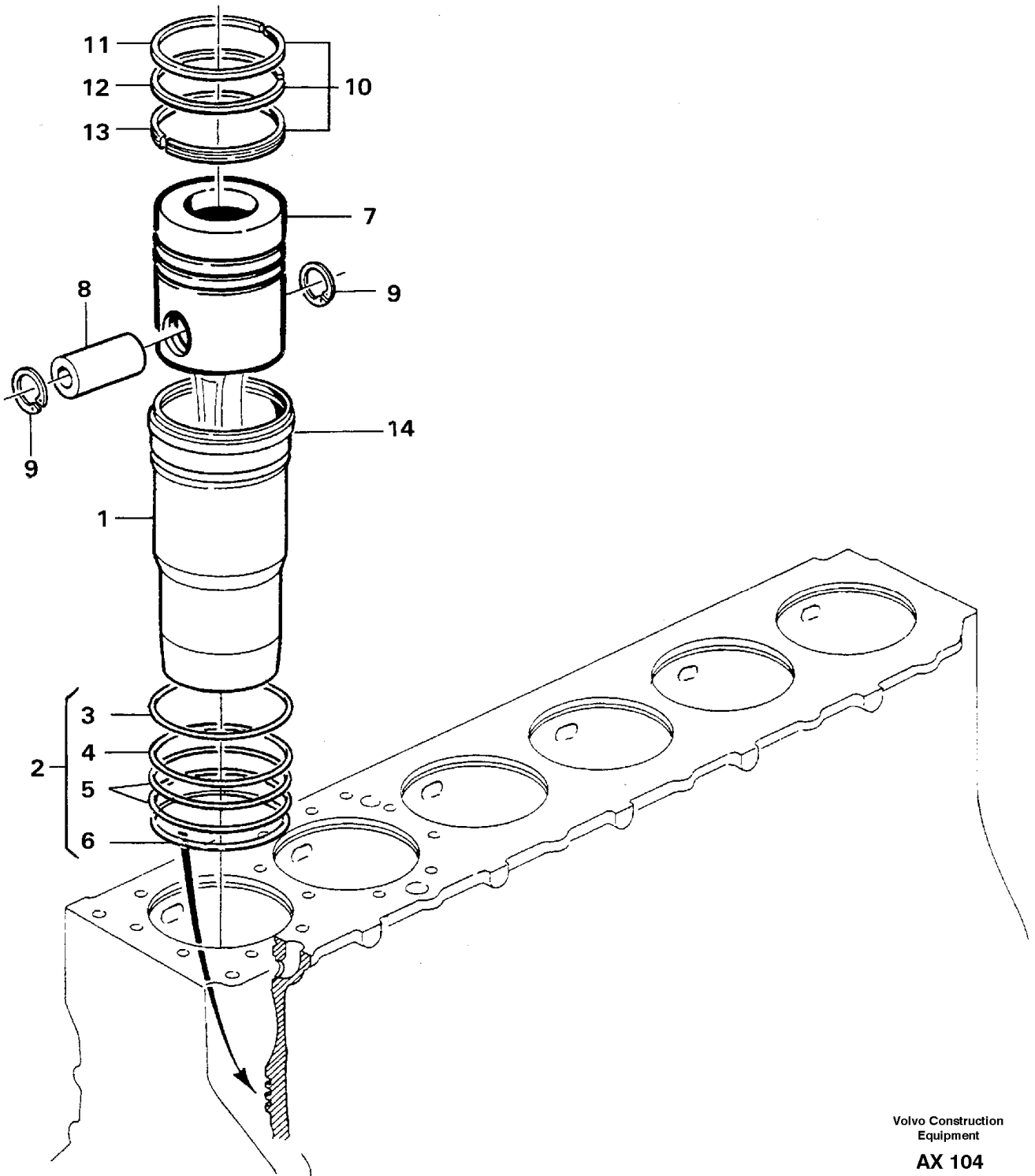
Date: 2014/3/10	Image id: AX300	Catalogue: 97788	Model: L330C LL
Brand: Volvo	Serial: 68052-70000	Group/Section: 212/150	Title: Crankcase ventilation



Pos	Part	Q1	Q2	Q3	Q4	Q5	PS	Kit	Description	Option(s)	Remark
1	VOE11032101	1							Bracket		
2	VOE965197	2							Flange screw		(VOE13965197)
3	VOE13971096	2							Flange nut		
4	VOE11033878	1							Oil trap		
5	VOE961676	2							Hose clamp		(VOE977135)
6	VOE11032106	1							Hose		
7	VOE943475	2							Hose clamp		
8	VOE11032102	1							Pipe		
9	VOE11032105	1							Washer		
10	VOE421629	1							Sealing ring		
11	VOE946440	2							Flange screw		

12	VOE927661	REQ							Rubber hose		L = 1400 MM
13	VOE943475	1							Hose clamp		
14	VOE983342	REQ							Hose		(VOE977316)L = 900 MM
15	VOE943470	2							Hose clamp		
16	VOE13949747	2							Clamp		ENG - 24635
	VOE952629	1							Clamp		ENG 24636 -
17	VOE946470	2							Flange screw		M8 x 35 MM
	VOE13948356	1							Flange screw		M6x30 MM, ENG 22257-24635
	VOE13946544	1							Screw		M6 x 16 MM, ENG 24636 -
18	VOE11030944	2							Pipe		
19	VOE978197	1							Hollow screw		
20	VOE13969011	1							Gasket		
21		1							Pipe		See ref 236/100

Date: 2014/3/10	Image id: AX104	Catalogue: 97788	Model: L330C LL
Brand: Volvo	Serial: 68052-70000	Group/Section: 213/100	Title: Cylinder liner and piston

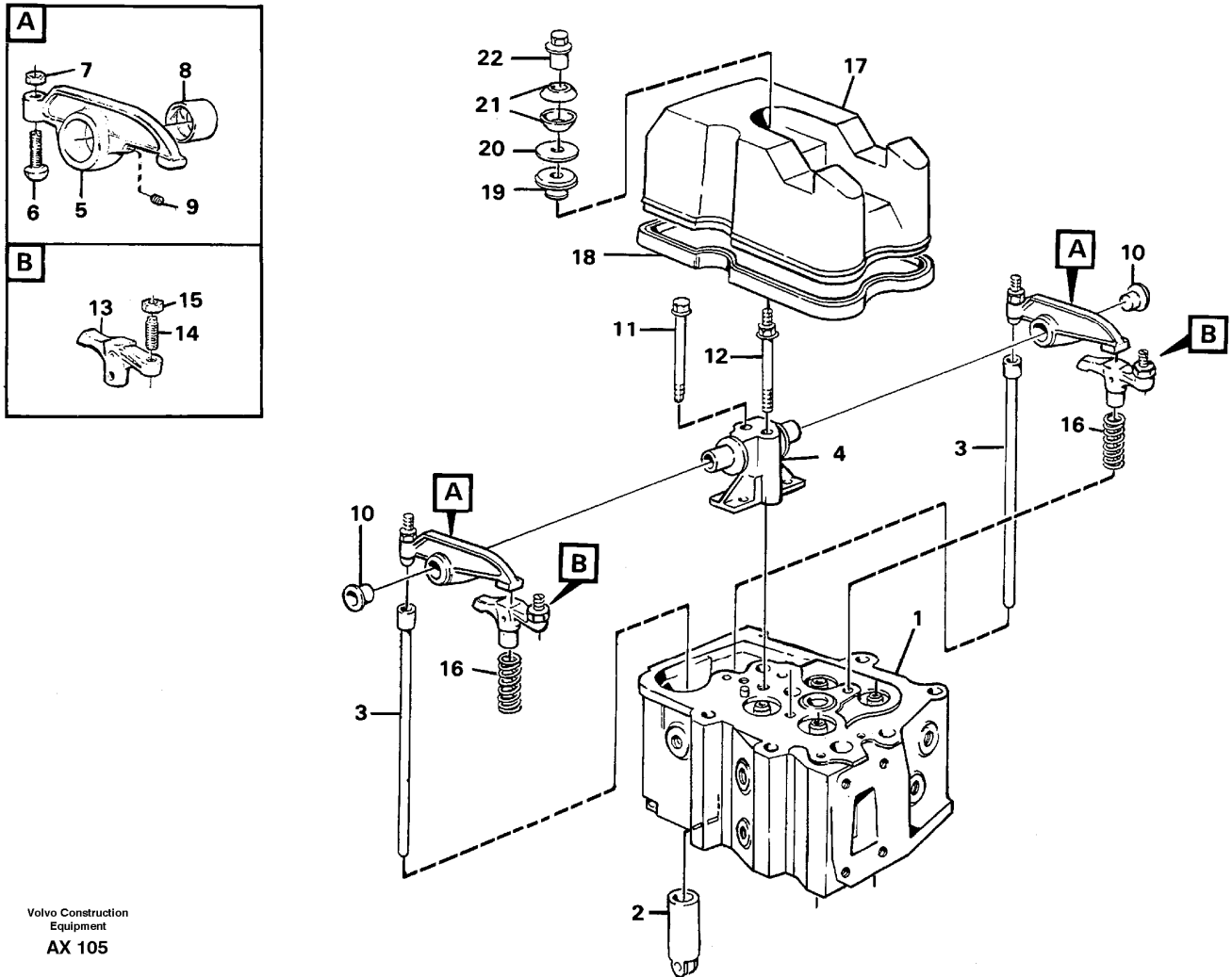


Volvo Construction
Equipment
AX 104

Pos	Part	Q1	Q2	Q3	Q4	Q5	PS	Kit	Description	Option(s)	Remark
	VOE11703762	6					SS		Cylinder liner kit		

1	VOE1556533	6					NS		•Cylinder Liner		
2	VOE270935	6							•Sealing kit		
3	VOE1543507	6					NS		••Sealing ring		
4	VOE1543501	6					NS		••Sealing ring		
5	VOE1543568	12					NS		••Sealing ring		
6	VOE1543373	6					NS		••Sealing ring		
7	VOE1556913	6							•Piston		
8	VOE1556939	6							•Piston Pin		(VOE11999697)
9	VOE914532	12							•Retaining ring		
10	VOE276840	6							•Piston ring kit		
11	VOE1556578	6					NS		••Compression ring		
12	VOE1556566	6					NS		••Compression ring		
13	VOE1556580	6					NS		••Compression ring		
14	VOE1548125	REQ							Shim		THICK = 0,20 MM
	VOE1548126	REQ							Shim		THICK = 0,30 MM
	VOE1548127	REQ							Shim		THICK = 0,50 MM

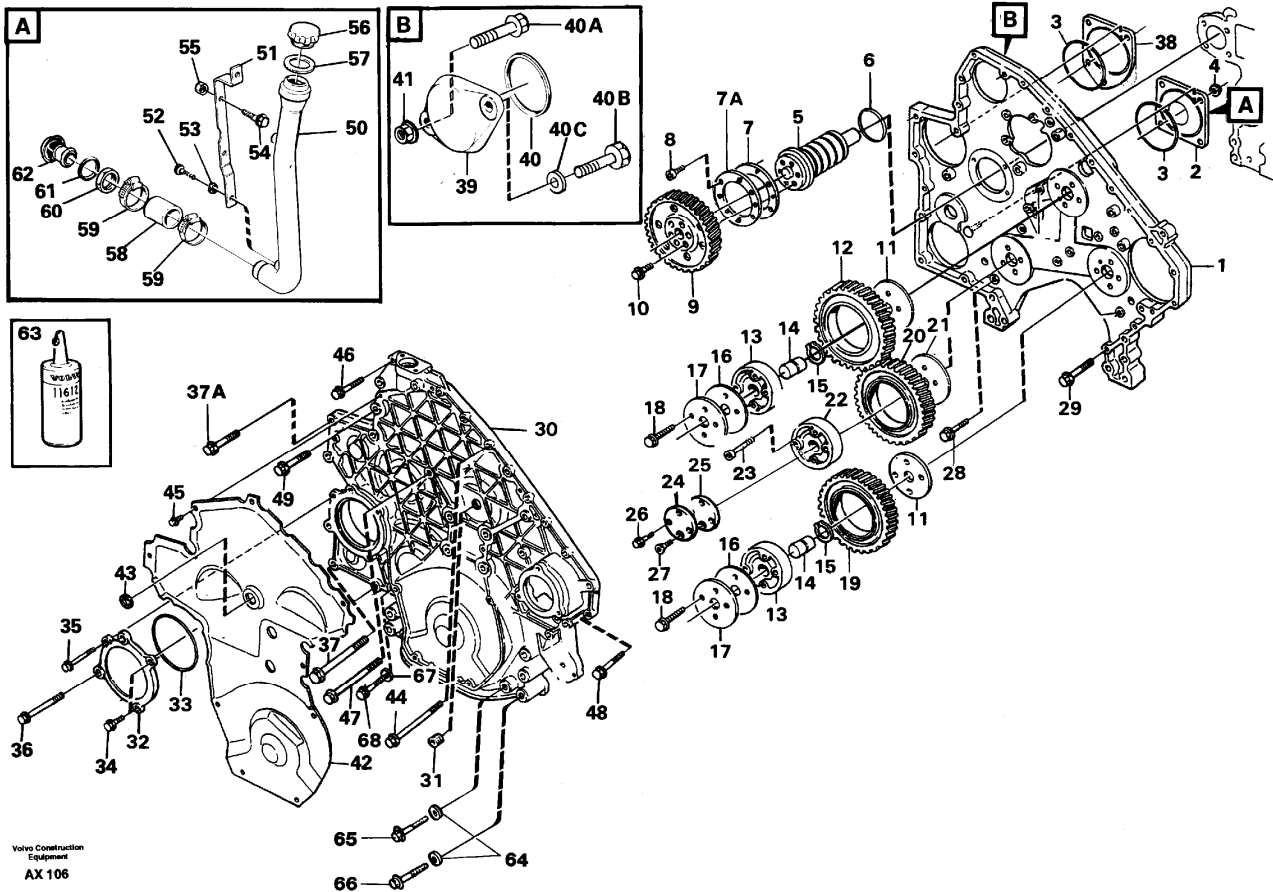
Date: 2014/3/10	Image id: AX105	Catalogue: 97788	Model: L330C LL
Brand: Volvo	Serial: 68052-70000	Group/Section: 214/100	Title: Valve mechanism



Pos	Part	Q1	Q2	Q3	Q4	Q5	PS	Kit	Description	Option(s)	Remark
1									Cylinder head		See ref 211/100
2	VOE1556947	12							Tappet		(1556662)
3	VOE1543048	12					SS		Push Rod		
4	VOE1543476	6							Bearing bracket		
5	VOE1543441	12							Rocker arm		
6	VOE1543372	12							•Screw		
7	VOE13946911	12							•Nut		
8	VOE1543443	12							•Bushing		
9	VOE1543723	24					NS		Jet		
10	VOE1543508	12							Lock plug		
11	VOE13975105	6							Flange screw		
12	VOE11999700	6							Stud		

13	VOE1556167	12							Yoke		
14	VOE1543368	12							•Adjusting screw		
15	VOE13946911	12							•Nut		
16	VOE1543981	12							Compression spring		
17	VOE1543469	6							Valve cover		
18	VOE1543581	6							Sealing strip		
19	VOE1543582	6							Ring		
20	VOE1543657	6							Washer		
21	VOE13943819	12							Disc spring		
22	VOE1543654	6							Cap nut		

Date: 2014/3/10	Image id: AX106	Catalogue: 97788	Model: L330C LL
Brand: Volvo	Serial: 68052-70000	Group/Section: 215/100	Title: Timing gear casing and gears



Q1-Q5	Option	Option description	
Q1 1556660			

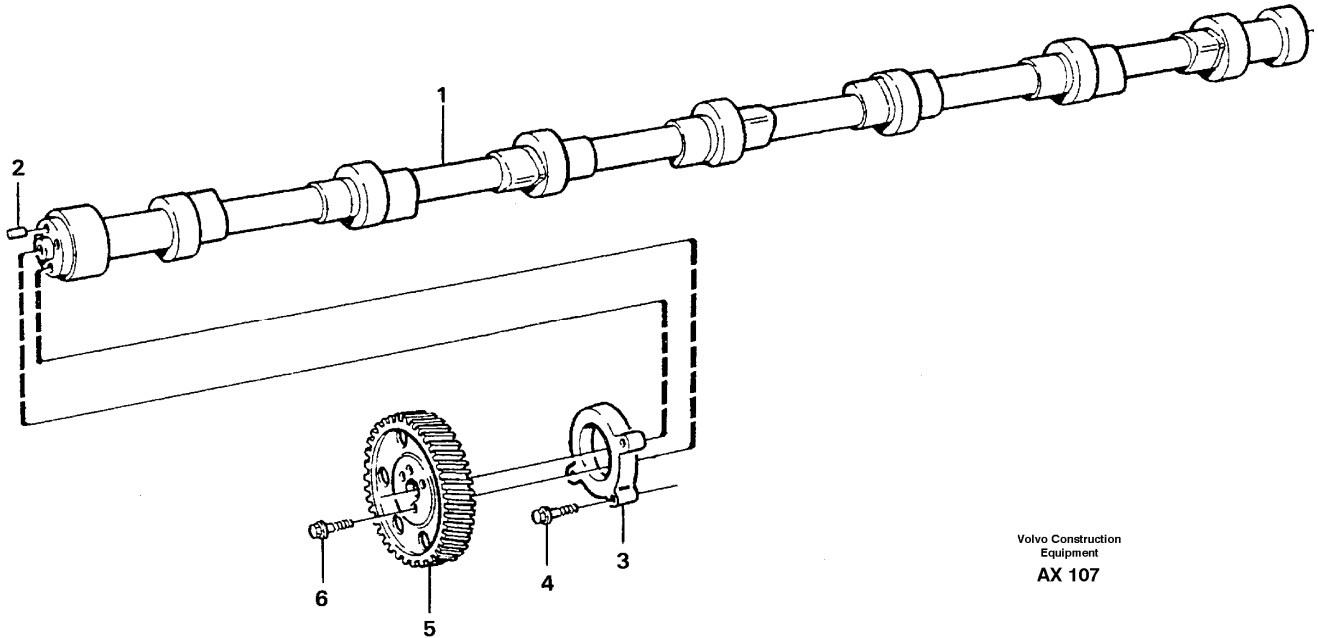
Pos	Part	Q1	Q2	Q3	Q4	Q5	PS	Kit	Description	Option(s)	Remark
1	VOE1556660	1							Timing gear casing		
2	VOE11032078	1							Cover		
3	VOE13948888	2							O-ring		
4	VOE13971096	3							Flange nut		
5	VOE1638201	1							Injection timing device		
6	VOE13980236	1							O-ring		
7	VOE1556700	1							Thrust washer		
7A	VOE11999824	1							Washer		
8	VOE1556747	8							Screw		
9	VOE1556635	1							Gear		
10	VOE13975204	6							Flange screw		

11	VOE1543598	2							Thrust washer		
12	VOE1543897	1							Idler		
13	VOE11999702	2							Hub		
14	VOE1543597	2							•Pin		
15	VOE914459	2							•Retaining ring		
16	VOE11999703	2							Thrust washer		
17	VOE1543901	2							Bearing shield		
18	VOE471513	8							Screw		
19	VOE1543445	1							Idler		
20	VOE1556652	1							Idler gear		
21	VOE1543598	1							Thrust washer		
22	VOE1556649	1							Hub		
23	VOE13974111	4							Allen Hd Screw		
24	VOE1556650	1							Bearing shield		
25	VOE1556651	1							Thrust washer		
26	VOE13975204	3							Flange screw		
27	VOE13944830	1							Allen Head Screw		
28	VOE13978266	14							Flange screw		
29	VOE13978267	1							Flange screw		
30	VOE1556413	1							Timing gear cover		
31	VOE3964715	1							Plug		(1543941)
32	VOE1556347	1							Hatch		
33	VOE1556612	1							O-ring		
34	VOE13946173	2							Screw		(VOE946173)
35	VOE13965182	1							Screw		
36	VOE13946474	1							Flange screw		M12 x 120 MM
	VOE13970986	1							Hexagon screw		M12 x 140 MM
37	VOE946473	2							Flange screw		M12 x 90 MM
37A	VOE965197	3							Flange screw		(VOE13965197)M12 x 100 MM
38	VOE1556208	1							Cover		
39	VOE468093	1							Cover		
40	VOE468094	1							Sealing ring		
40A	VOE13965189	1							Screw		
40B	VOE970961	1							Hexagon screw		(VOE13970961)
40C	VOE190509	1							Washer		
41	VOE13971095	2							Flange nut		
42	VOE1556176	1							Noise shield		
43	VOE943920	1							Plug		
44	VOE13965182	2							Screw		
45	VOE13946501	9							Screw		
46	VOE13947760	6							Screw		
47	VOE13947790	3							Screw		
48	VOE13948217	1							Screw		
49	VOE13965220	1							Screw		
50	VOE822885	1							Filler pipe		
51	VOE11031693	1							Bracket		

52	VOE13955523	2							Screw		
53	VOE13941907	2							Washer		
54	VOE13946173	2							Screw		(VOE946173)
55	VOE13945408	2							Nut		
56	VOE3547599	1					SS		Oil filler cap		(421753)
57	VOE1275379	1							•Gasket		(VOE940096)
58	VOE942711	REQ							Hose		L = 45 MM
59	VOE943478	2							Hose clamp		(VOE13961671)See footnote 1155)
60	VOE468948	1							Nut		
61	VOE468947	1							Sealing ring		
62	VOE468940	1							Hose connection		
63	VOE11713514	REQ							Sealant		(VOE1161231)
64	VOE941911	7							Spring washer		
65	VOE13971010	2							Hexagon screw		
66	VOE13971012	5							Hexagon screw		
67	VOE13969011	1							Gasket		
68	VOE13970993	1							Hexagon screw		

1155) Stainless

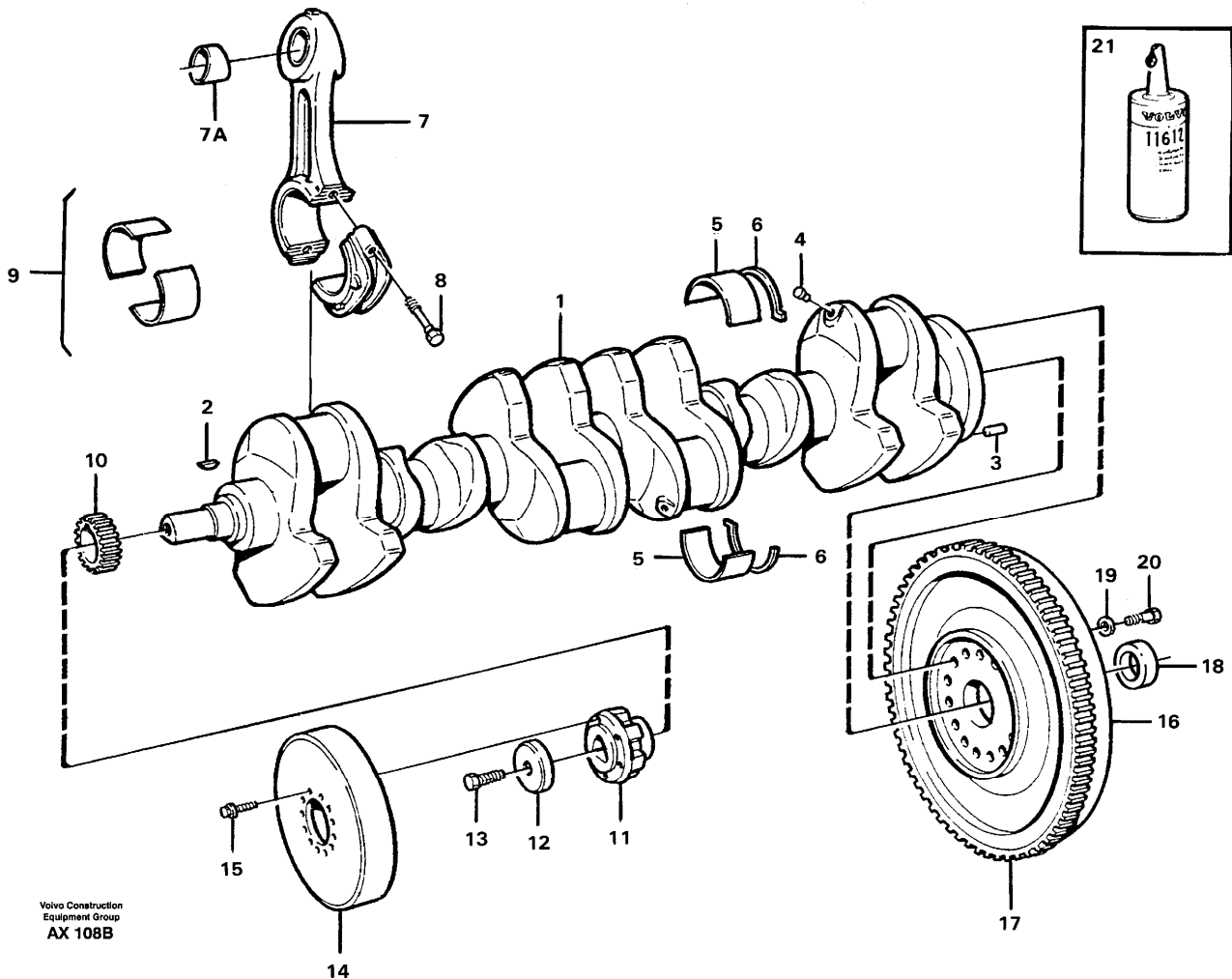
Date: 2014/3/10	Image id: AX107	Catalogue: 97788	Model: L330C LL
Brand: Volvo	Serial: 68052-70000	Group/Section: 215/150	Title: Camshaft



Volvo Construction
Equipment
AX 107

Pos	Part	Q1	Q2	Q3	Q4	Q5	PS	Kit	Description	Option(s)	Remark
1	VOE1543704	1							Camshaft		
2	VOE950588	1							•Pin		
3	VOE1543839	1							Thrust bearing		
4	VOE946671	3							Flange screw		
5	VOE1543899	1							Gear		
6	VOE13965220	3							Screw		

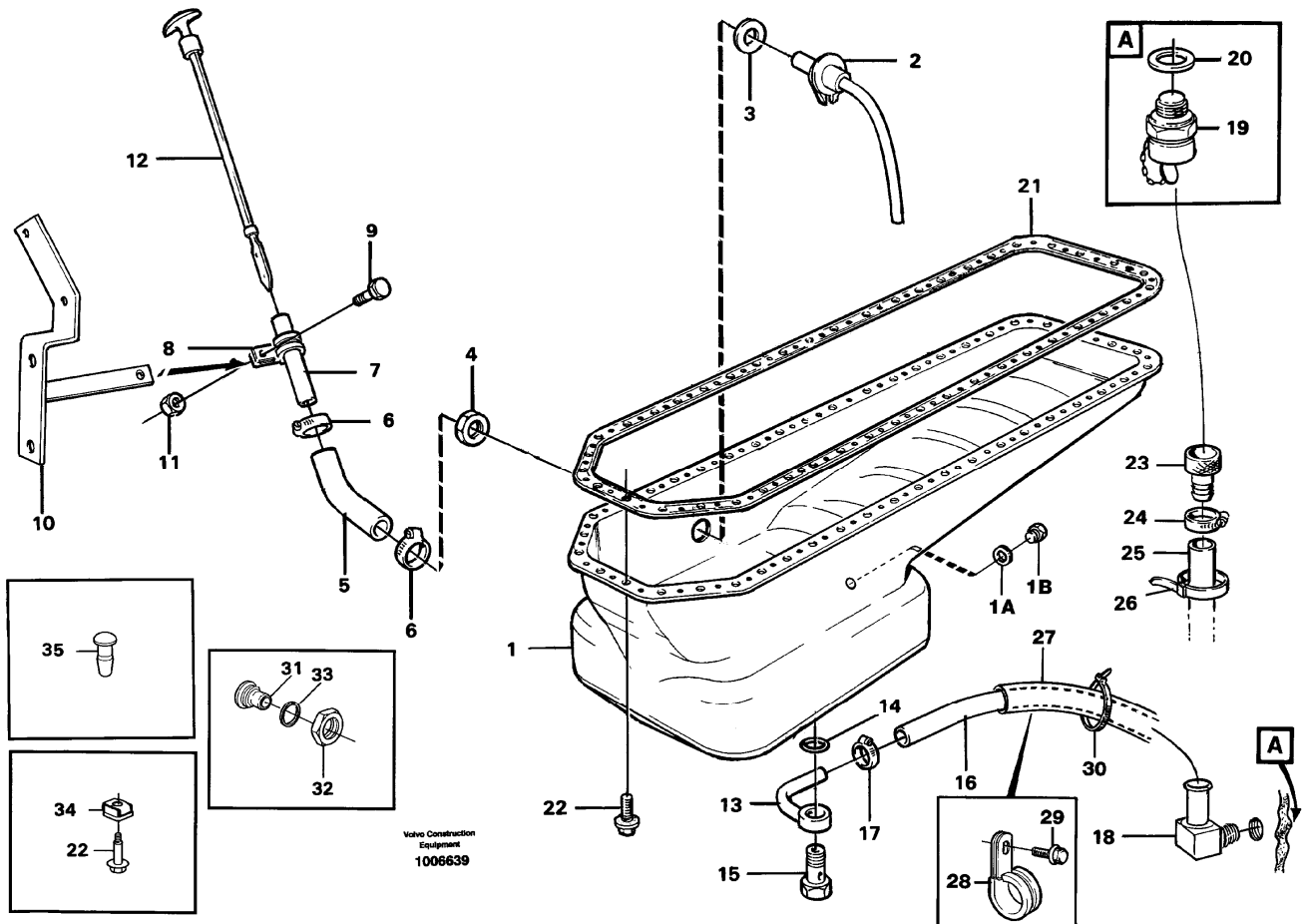
Date: 2014/3/10	Image id: AX108B	Catalogue: 97788	Model: L330C LL
Brand: Volvo	Serial: 68052-70000	Group/Section: 216/100	Title: Crankshaft and related parts



Pos	Part	Q1	Q2	Q3	Q4	Q5	PS	Kit	Description	Option(s)	Remark
1	VOE24424603	1							Crankshaft		
2	VOE422253	1							•Key		
3	VOE950644	1							•Pin		
4	VOE13978130	6							•Plug		
5	VOE270792	7							Main bearing kit		STD SZ
	VOE270793	7							Main bearing kit		0.25 MM U SZ
	VOE270794	7							Main bearing kit		0.50 MM U SZ
	VOE270795	7							Main bearing kit		0.75 MM U SZ
6	VOE270929	1							Thrust washer kit		STD SZ
	VOE270930	1							Thrust washer kit		0.10 MM O SZ
	VOE270931	1							Thrust washer kit		0.20 MM O SZ

	VOE270932	1							Thrust washer kit		0.30 MM O SZ
7	VOE1556319	6							Connecting rod		
7A	VOE1556321	6							•Bushing		
8	VOE1543035	12							•Screw		
9	VOE270796	6							Piston Bearing		STD SZ
	VOE270797	6							Piston Bearing		0.25 MM U SZ
	VOE270798	6							Piston Bearing		0.50 MM U SZ
	VOE270799	6							Piston Bearing		0.75 MM U SZ
10	VOE1556173	1							Gear		
11	VOE11031976	1					SS		Hub		ENG - 30835
	VOE1556974	1							Hub		ENG 30836 -
12	VOE422124	1							Washer		
13	VOE1543316	1							Screw		
14	VOE1543834	1							Vibration damper		
15	VOE13965220	12							Screw		
16	VOE11032159	1							Flywheel		(VOE11031837)ENG - 28293
	VOE11032159	1							Flywheel		ENG 28294 -
17	VOE8193939	1							•Gear ring		(VOE471532)
18	VOE11031838	1							•Sleeve		
19	VOE1677893	14							Screw		
20	VOE1543563	14							Washer		
21	VOE11713514	REQ							Sealant		(VOE1161231)

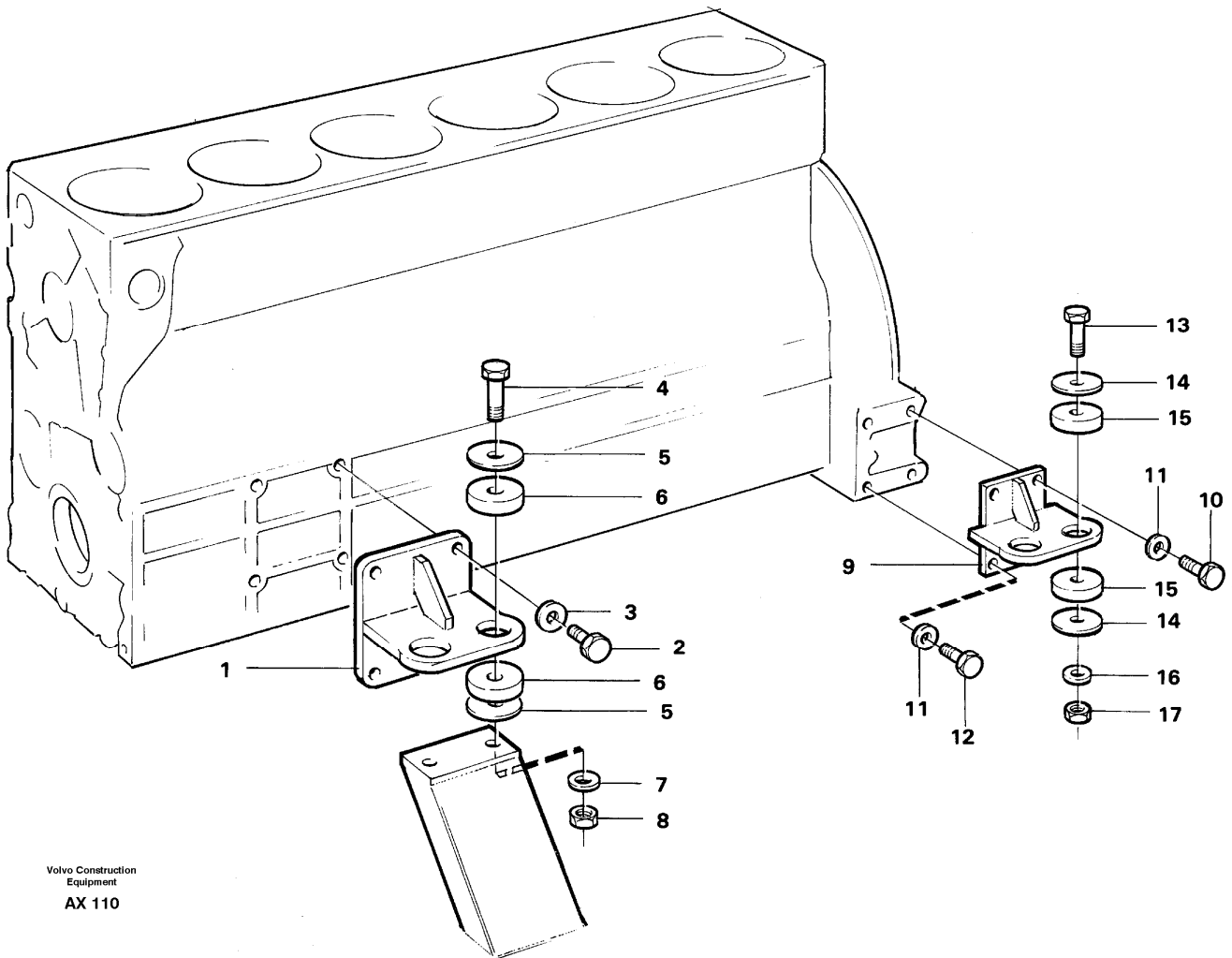
Date: 2014/3/10	Image id: 1006639	Catalogue: 97788	Model: L330C LL
Brand: Volvo	Serial: 68052-70000	Group/Section: 217/100	Title: Oil sump



Pos	Part	Q1	Q2	Q3	Q4	Q5	PS	Kit	Description	Option(s)	Remark
1	VOE848833	1					SS		Oil pan		STD, ENG - 25507
	VOE3825323	1							Oil pan		STD, ENG 25508 - 38239
	VOE11032172	1							Oil pan		STD, ENG 38240 -
	VOE11046763	1							Oil pan	VOE94664, VOE94665	
1A	VOE949329	1							Gasket		ENG 25508 -
1B	VOE946086	1							Plug		ENG 25508 -
2	VOE11032215	1							Tube		(VOE11032167) (11032088)
3	VOE468947	1							Sealing ring		
4	VOE468948	1							Nut		
5	VOE8149606	1							Rubber hose		(8149244)
6	VOE13943472	2							Hose clamp		(VOE943472)
7	VOE11032079	1							Plastic pipe		

8	VOE13949747	1							Clamp		
9	VOE946440	1							Flange screw		
10	VOE11032083	1							Anchorage		
11	VOE13945408	1							Nut		
12	VOE11032089	1							Oil dipstick		
13	VOE11109866	1							Oil draining pipe		
14	VOE13955997	2							O-ring		
15	VOE11109227	1							Hollow screw		
16	VOE13961193	REQ							Hydraulic hose		L = 1200 MM
17	VOE943473	2							Hose clamp		
18	VOE961611	1							Elbow nipple		
19	VOE11054692	1							Valve		
20	VOE949329	1							Gasket		
21	VOE3827274	1							Gasket		(VOE864775)ENG - 38239
	VOE1556387	1							Gasket		ENG 38240 -
22	VOE946440	44							Flange screw		ENG - 38239
	VOE1556083	44							Flange screw		ENG 38240 -
23	VOE11054659	1							Connector		
24	VOE943473	1							Hose clamp		
25	VOE13961193	REQ							Hydraulic hose		L = 600 MM
26	VOE4881440	1							Cable tie		SER NO - 60333
27	VOE11109855	1							Hose		
28	VOE981653	1							Clamp		(VOE13808104)
29	VOE946441	1							Flange screw		
30	VOE4881440	2							Cable tie		
31	VOE470475	1					NS		Plug		ENG 38240 -
32	VOE468948	1							Nut		ENG 38240 -
33	VOE468947	1							Sealing ring		ENG 38240 -
34	VOE420991	1							Rubber cushion		ENG 38240 -
35	VOE13943353	1							Rivet		ENG 38240 -

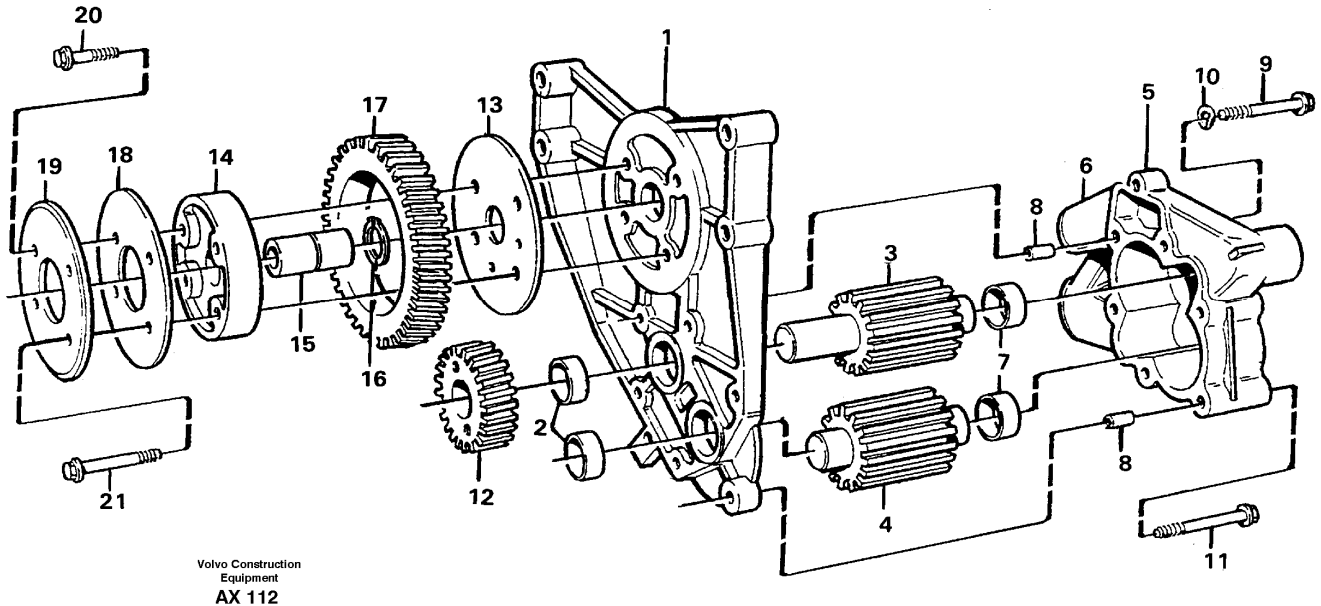
Date: 2014/3/10	Image id: AX110	Catalogue: 97788	Model: L330C LL
Brand: Volvo	Serial: 68052-70000	Group/Section: 218/100	Title: Engine mounting



Pos	Part	Q1	Q2	Q3	Q4	Q5	PS	Kit	Description	Option(s)	Remark
1	VOE11109447	2							Support		
2	VOE13955366	8							Screw		
3	VOE2560247	16							Washer		
4	VOE982234	4							Screw		(VOE13811156)
5	VOE12580854	8							Washer		
6	VOE1501227	8							Base		
7	VOE13811436	4							Washer		
8	VOE13811196	4							Lock nut		
9	VOE11079610	2							Support		
10	VOE13955366	4							Screw		
11	VOE2560247	16							Washer		
12	VOE955373	4							Hexagon screw		
13	VOE982234	4							Screw		(VOE13811156)

13	VOE1543578	1							Sealing ring		
14	VOE1556464	1							Delivery pipe		
15	VOE1543617	1					NS		•Fitting		
16	VOE956976	1							•Ferrule		
17	VOE1556430	6							Piston cooling jet		
18	VOE955981	6							•O-ring		
19	VOE1556434	6							Stud		
20	VOE13945408	6							Nut		(VOE948645)
21	VOE1556445	1							Nozzle		
22									Oil filter housing		See ref 222/100

Date: 2014/3/10	Image id: AX112	Catalogue: 97788	Model: L330C LL
Brand: Volvo	Serial: 68052-70000	Group/Section: 221/100	Title: Oil pump

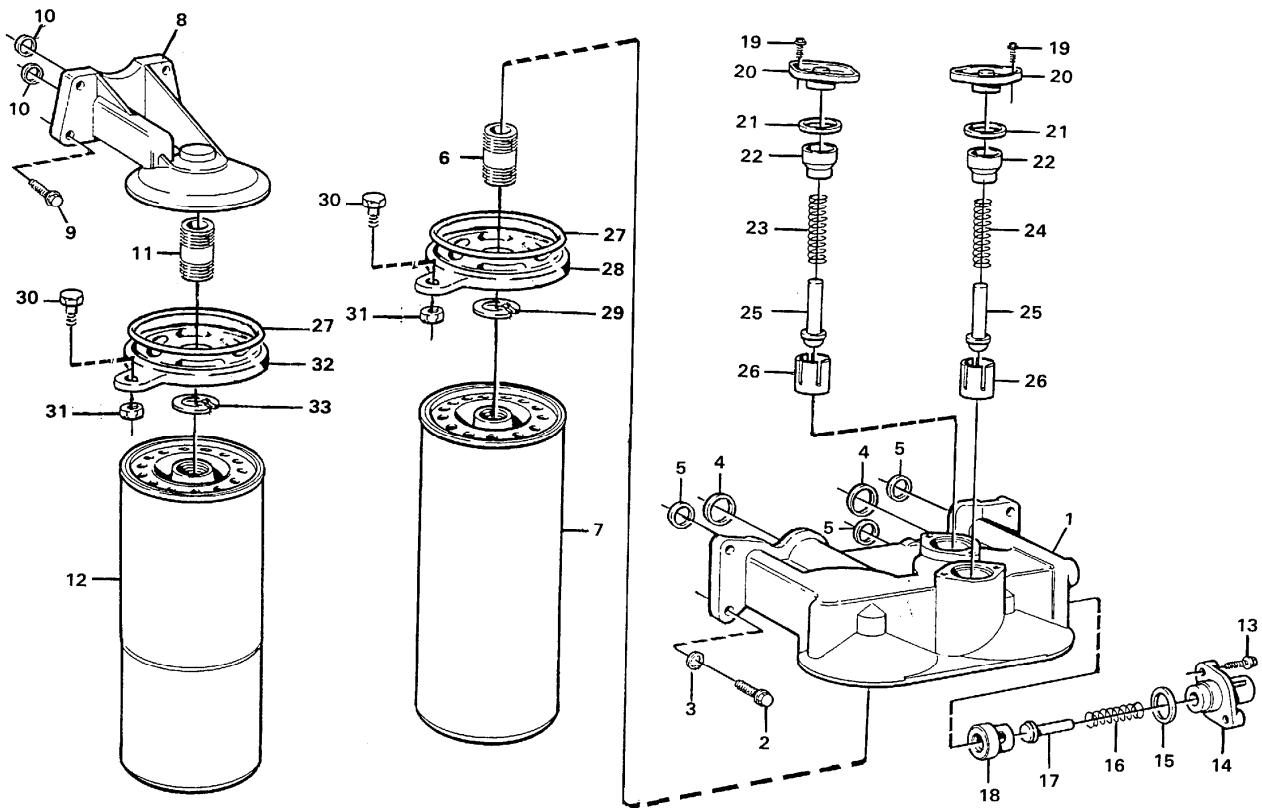


Q1-Q5	Option	Option description	
Q1 1556177			
Q2 11703489			

Pos	Part	Q1	Q2	Q3	Q4	Q5	PS	Kit	Description	Option(s)	Remark
	VOE1556177	1					SS		Oil Pump		ENG - 25085
	VOE1556730		1						Oil pump		(VOE11703489) (1556730) ENG 25086 -
1	VOE1543965	1	1						•Bracket		
2	VOE1543978	2	2					K	••Bushing		
3		1	1				NS	K	•Gear		
4		1	1				NS	K	•Gear		
5	VOE1556019	1	1						•Oil pump housing		
6		1	1				NS		••Housing		
7	VOE1543978	2	2					K	•••Bushing		
8	VOE401146	2	2						••Guide sleeve		
9	VOE100223	3	3						•Screw		
10	VOE13941907	3	3						•Washer		
11	VOE13965183	3	3						•Flange screw		
12	VOE1543452	1							•Gear		
	VOE1556097		1						•Gear		
13	VOE1543598	1	1						•Thrust washer		
		1	1				NS		•Hub		
14	VOE11999702	1	1						••Hub		

15	VOE1543597	1	1						••Pin		
16	VOE914459	1	1						••Retaining ring		
17	VOE1543450	1	1						•Idler gear		
18	VOE11999703	1	1						•Thrust washer		
19	VOE1543901	1	1						•Bearing shield		
20	VOE13965186	3	3						•Screw		(VOE965186)
21	VOE13965188	1	1						•Screw		
	VOE276150	1							Repair kit		
	VOE276871		1						Repair kit		

Date: 2014/3/10	Image id: AX113	Catalogue: 97788	Model: L330C LL
Brand: Volvo	Serial: 68052-70000	Group/Section: 222/100	Title: Oil filter

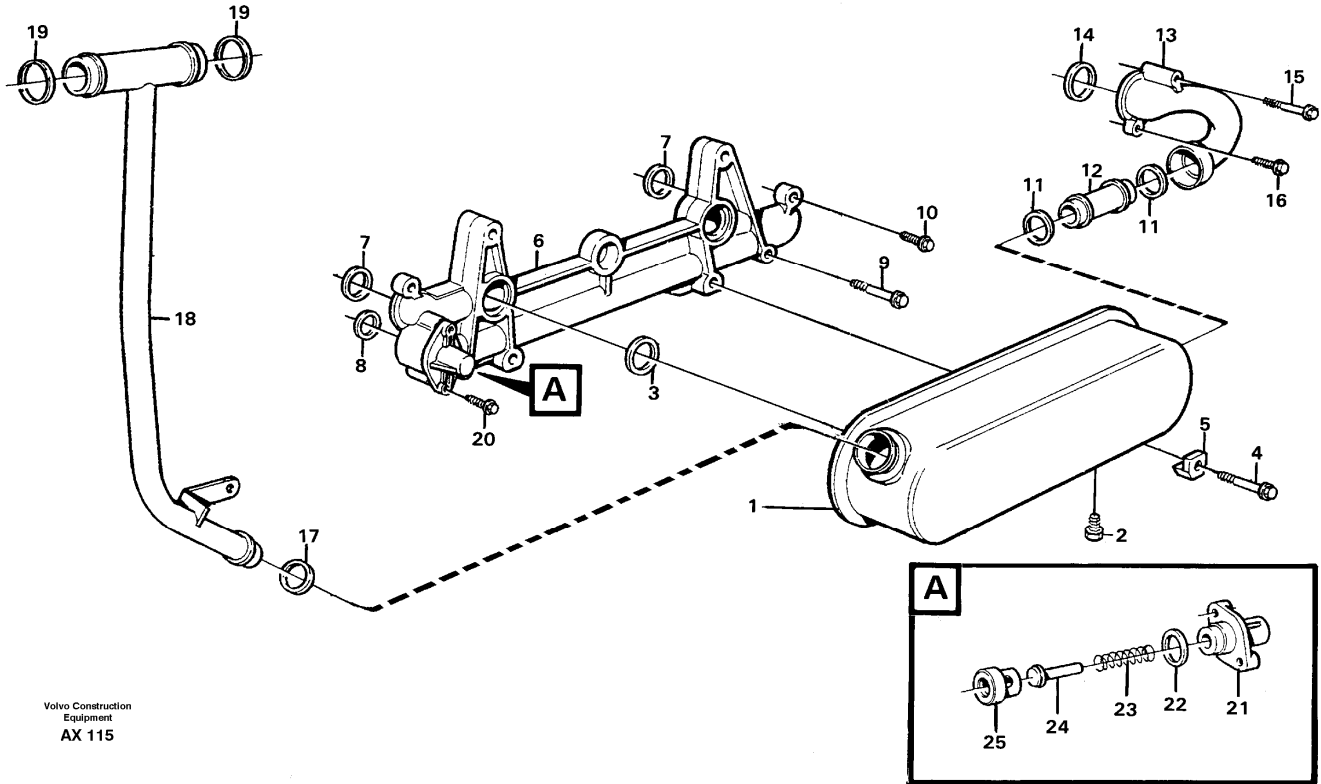


Volvo Construction
Equipment
AX 113

Pos	Part	Q1	Q2	Q3	Q4	Q5	PS	Kit	Description	Option(s)	Remark
1	VOE1543466	1							Housing		
2	VOE946671	3							Flange screw		L = 30 MM
	VOE946470	1							Flange screw		L = 35 MM
3	VOE930840	4							Washer		(VOE13961169)
4	VOE8192187	2							Sealing ring		
5	VOE8192189	3							Sealing ring		
6	VOE11032123	2							Nipple		
7	VOE478736	2							Oil Filter		
8	VOE1543852	1							Oil filter housing		
9	VOE946671	4							Flange screw		
10	VOE1543576	2							Sealing ring		
11	VOE11032134	1							Nipple		
12	VOE477556	1							Oil Filter		(VOE11996228)
13	VOE946671	2							Flange screw		
14	VOE1543608	1							Valve		

15	VOE8192187	1							Sealing ring		(VOE1543577)
16	VOE1543611	1							Compression spring		
17	VOE1543610	1							Peg		
18	VOE1543964	1							Seat		
19	VOE13945414	4							Flange screw		
20	VOE1542267	2							Cover		
21	VOE8192187	2							Sealing ring		(VOE1543577)
22	VOE11987588	2							Sleeve		
23	VOE466653	1							Compression spring		(1543642)
24	VOE466653	1							Compression spring		
25	VOE471085	2							Valve cone		
26	VOE1542265	2							Valve seat		
27	VOE968759	3							O-ring		
28	VOE4771601	2							Plate		
29	VOE914461	2							Retaining ring		
30	VOE946471	3							Flange screw		
31	VOE13971074	3							Hexagon nut		(943927)
32	VOE11032135	1							Plate		
33	VOE914465	1							Retaining ring		

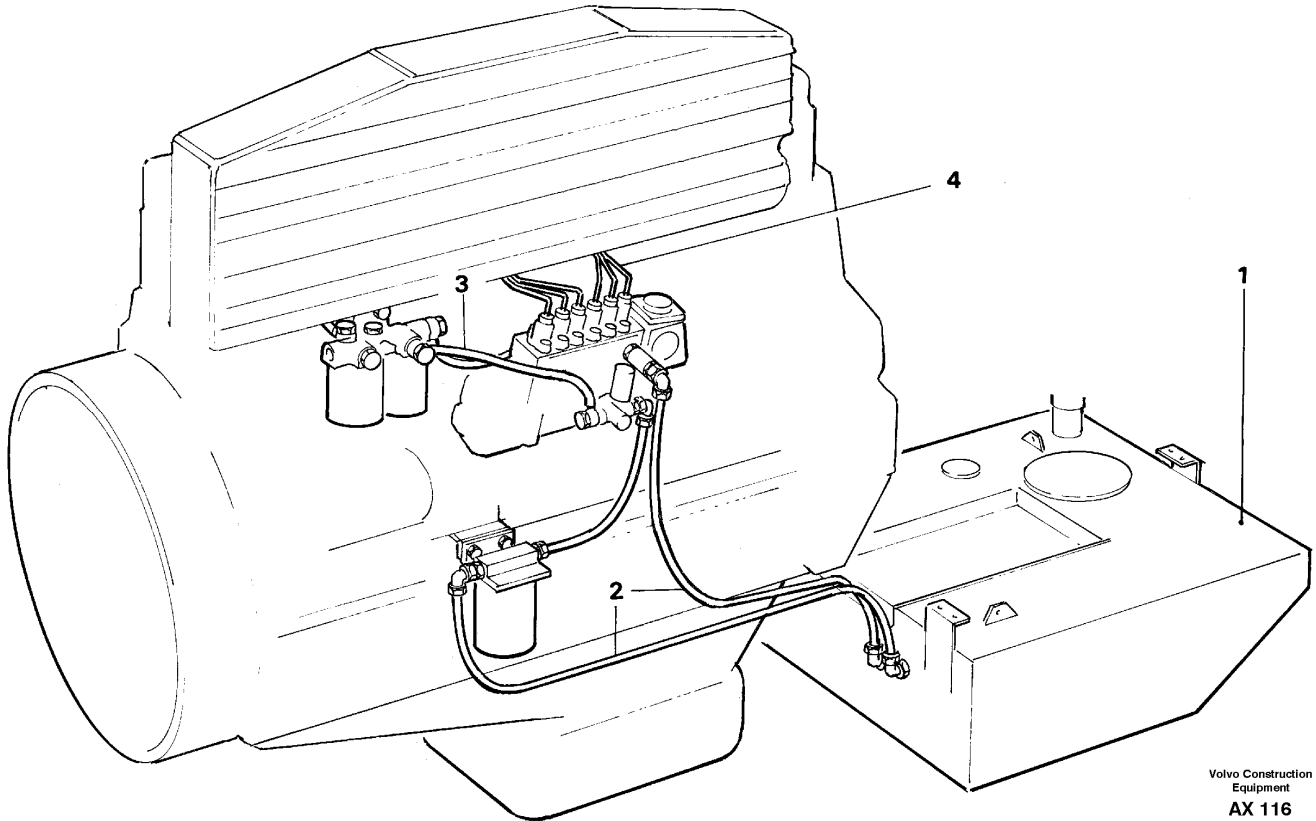
Date: 2014/3/10	Image id: AX115	Catalogue: 97788	Model: L330C LL
Brand: Volvo	Serial: 68052-70000	Group/Section: 223/100	Title: Oil cooler



Volvo Construction
Equipment
AX 115

Pos	Part	Q1	Q2	Q3	Q4	Q5	PS	Kit	Description	Option(s)	Remark
1	VOE8149982	1							Oil cooler		(863146)
2	VOE180759	1							•Plug		
3	VOE8192187	2							Sealing ring		(VOE1543577)
4	VOE13965189	4							Screw		
5	VOE471804	4							Retainer		
6	VOE1556594	1							Intmd Section		
7	VOE8192187	2							Sealing ring		(VOE1543577)
8	VOE8192189	1							Sealing ring		(VOE1543566)
9	VOE13965216	2							Screw		
10	VOE946671	2							Flange screw		
11	VOE1556905	2							Sealing ring		
12	VOE471634	1							Tube		
13	VOE1543868	1							Flange		
14	VOE11702307	1							Sealing ring		
15	VOE955302	1							Hexagon screw		
16	VOE946671	1							Flange screw		
17	VOE1556905	1							Sealing ring		
18	VOE1556882	1							Tube		(1543813)

Date: 2014/3/10	Image id: AX116	Catalogue: 97788	Model: L330C LL
Brand: Volvo	Serial: 68052-70000	Group/Section: 230/100	Title: Fuel system



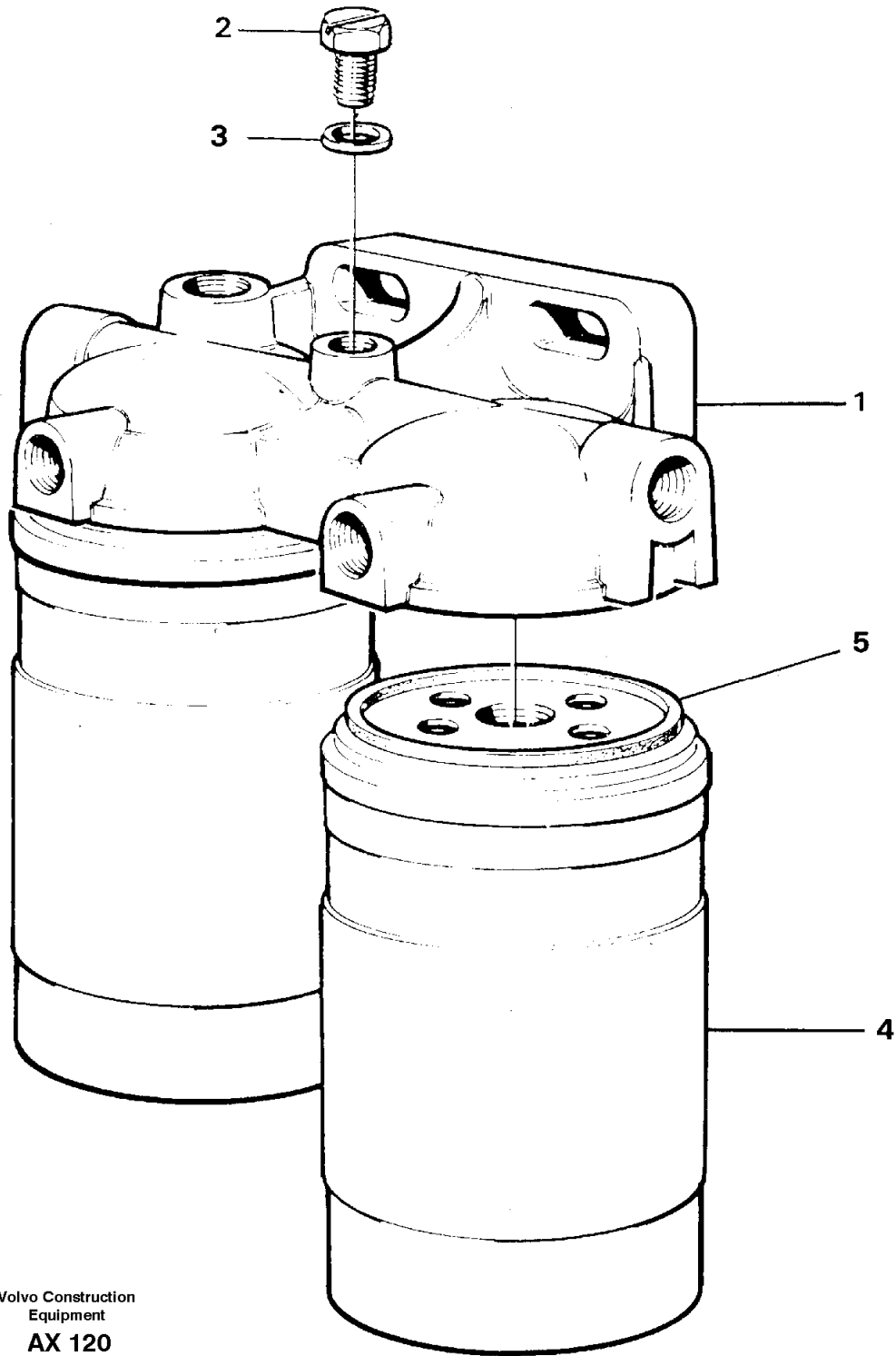
Volvo Construction
Equipment
AX 116

Pos	Part	Q1	Q2	Q3	Q4	Q5	PS	Kit	Description	Option(s)	Remark
1		1							Fuel tank		See ref 234/100
2		1							Fuel pipes: •••Fuel tank - •••Injection pump		See ref 235/100
3		1							Fuel pipes: •••Injection pump - •••Fuel filter		See ref 235/150
4		1							Fuel pipes: •••Injector		See ref 237/50

VOLVO

Construction Equipment

Date: 2014/3/10	Image id: AX120	Catalogue: 97788	Model: L330C LL
Brand: Volvo	Serial: 68052-70000	Group/Section: 233/100	Title: Fuel filter



Volvo Construction
Equipment
AX 120

Q1-Q5	Option	Option description	
Q1 1676832			

Q2 8194541			
------------	--	--	--

Pos	Part	Q1	Q2	Q3	Q4	Q5	PS	Kit	Description	Option(s)	Remark
1	VOE1676832	1					SS		Housing		ENG - 27052 REPL BY 8194541
	VOE8194541		1						Housing		ENG 27053 -
2	VOE471177	1							•Air Venting Scr		
	VOE1330191		1						•Nipple		
3	VOE947620	2							•Gasket		
4	VOE466987	2	2						Fuel Filter		
5	VOE6638088	2	2						•Gasket		



Suggest:

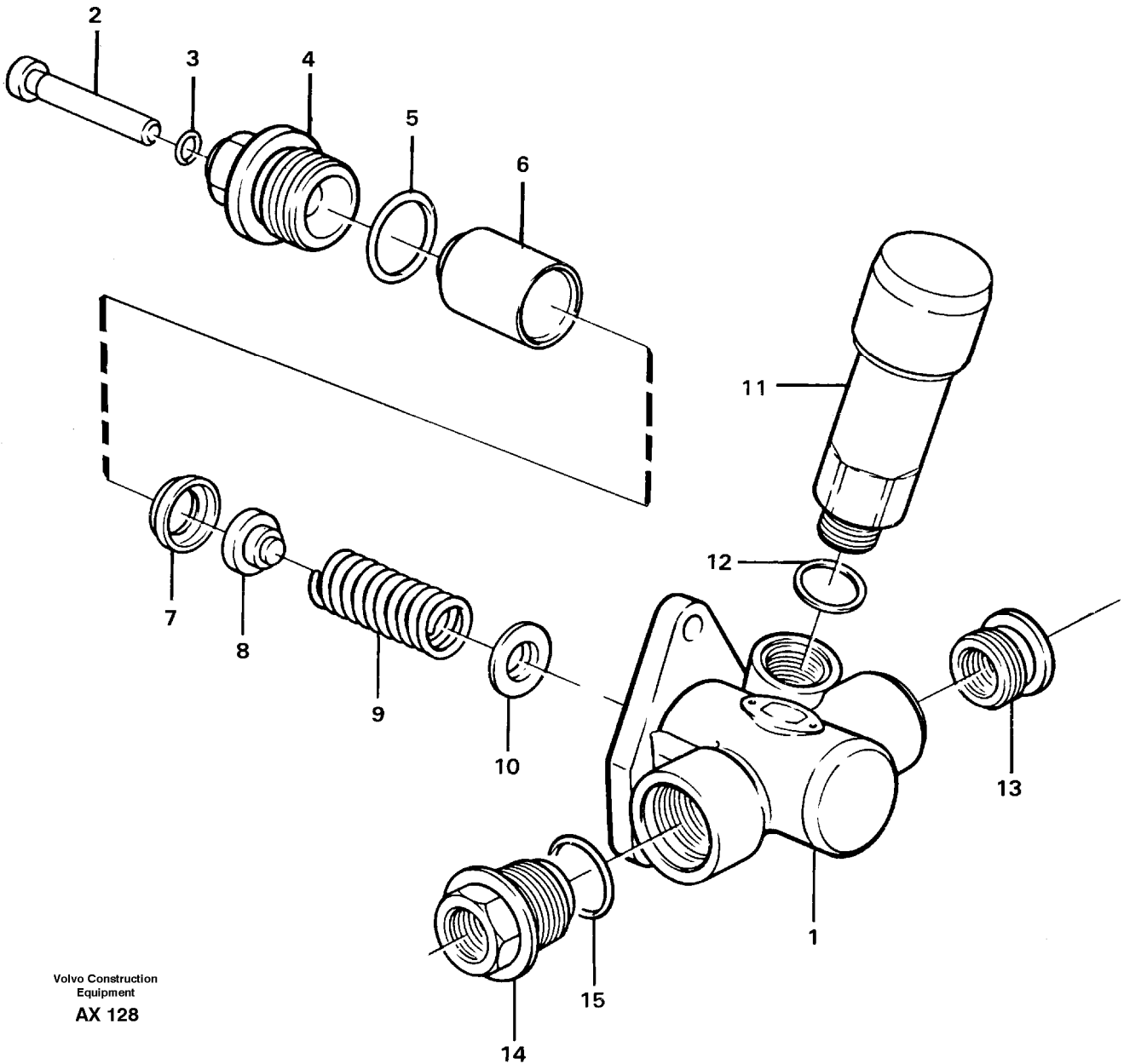
For more complete manuals. Please go to the home page.

<https://www.ebooklibonline.com>

If the above button click is invalid. Please download this document first, and then click the above link to download the complete manual.

Thank you so much for reading

Date: 2014/3/10	Image id: AX128	Catalogue: 97788	Model: L330C LL
Brand: Volvo	Serial: 68052-70000	Group/Section: 233/150	Title: Feed pump



Pos	Part	Q1	Q2	Q3	Q4	Q5	PS	Kit	Description	Option(s)	Remark
1	VOE863474	1							Feed pump		
2	VOE862461	1							•Push rod		
3	VOE11716292	1							•O-ring		(VOE244829)
4	VOE244827	1							•Nipple		
5	VOE15031180	1							•O-ring		(VOE244828)
6	VOE244831	1							•Piston		
7	VOE11706665	1							•Spacer ring		(VOE244835)

8	VOE244834	1							•Valve		
9	VOE862462	1							•Compression spring		
10	VOE244833	2							•Spring disc		
11	VOE3094547	1							•Hand pump		(VOE11991822)
12	VOE240572	1							•Gasket		
13	VOE244836	1							•Bushing		
14	VOE3094340	1							•Nipple		M 22 x 1,5
15	VOE3094341	1							•O-ring		

<https://www.ebooklibonline.com>

Hello dear friend!

Thank you very much for reading.

Enter the link into your browser.

The full manual is available for immediate download.

<https://www.ebooklibonline.com>