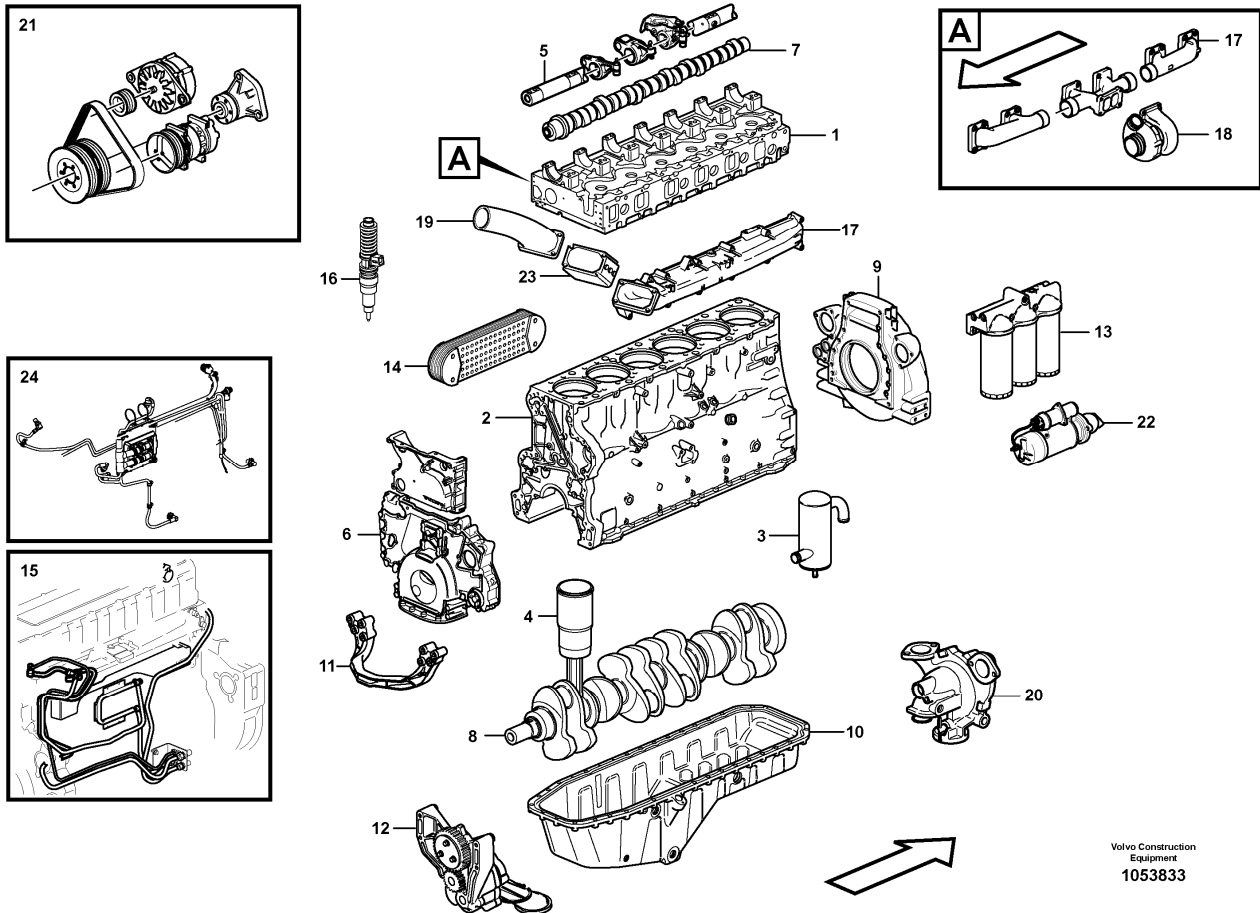


|                           |                             |                                  |                         |
|---------------------------|-----------------------------|----------------------------------|-------------------------|
| Date:<br><b>2014/3/11</b> | Image id:<br><b>1053833</b> | Catalogue:<br><b>20111</b>       | Model:<br><b>L220F</b>  |
| Brand:<br><b>Volvo</b>    | Serial:<br><b>6005-8485</b> | Group/Section:<br><b>210/150</b> | Title:<br><b>Engine</b> |



Volvo Construction  
Equipment  
1053833

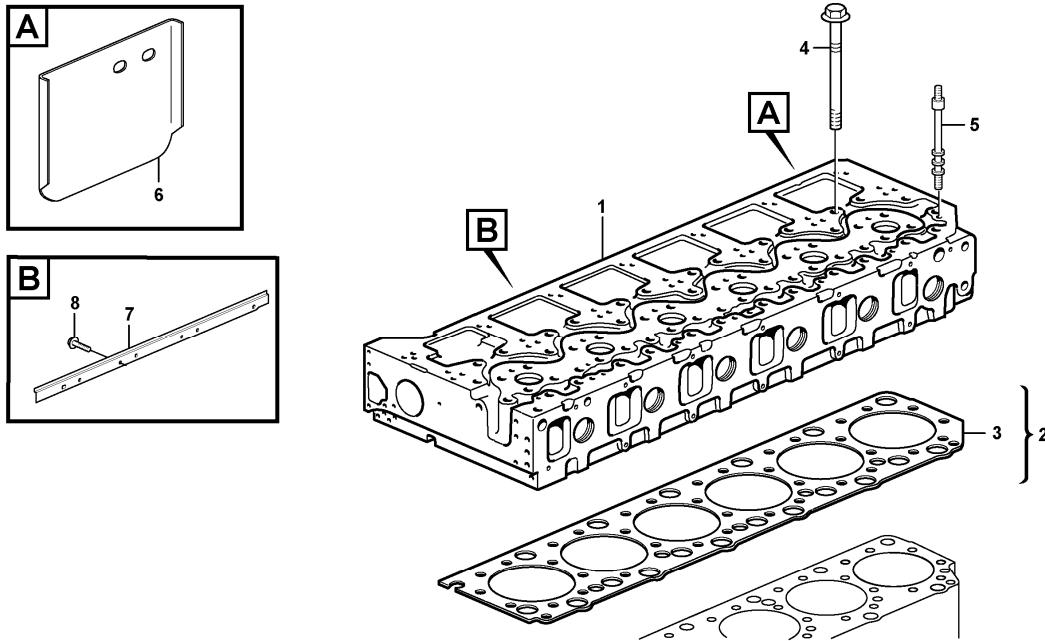
| Section option | Kit | Option description  |
|----------------|-----|---|
| VOE8188741     |     | Engine D12DLBE3   |
| VOE8188743     |     | Engine D12D-B   |
| VOE8188765     |     | Engine D12D-K   |
| VOE8188771     |     | Engine D12D-L   |
| VOE85066       |     | Hydraulic transmission A TRANSMISSION WITHOUT LOCK-UP, AND ADEQUATE ENGINE WITH SOFTWARE. |
| VOE85067       |     | Transmission L220F  |

| Q1-Q5      | Option     | Option description |  |
|------------|------------|--------------------|--|
| Q1 8188741 | VOE8188741 | Engine D12DLBE3    |  |
| Q2 8188743 | VOE8188743 | Engine D12D-B      |  |
| Q3 8188771 | VOE8188771 | Engine D12D-L      |  |
| Q4 8188765 | VOE8188765 | Engine D12D-K      |  |

| Pos | Part | Q1 | Q2 | Q3 | Q4 | Q5 | PS | Kit | Description | Option(s) | Remark |
|-----|------|----|----|----|----|----|----|-----|-------------|-----------|--------|
|-----|------|----|----|----|----|----|----|-----|-------------|-----------|--------|

|    |            |   |   |   |   |  |    |  |                           |          |                           |
|----|------------|---|---|---|---|--|----|--|---------------------------|----------|---------------------------|
|    | VOE8188741 | 1 |   |   |   |  | SS |  | Engine                    |          | S/N - 6180 D12DLBE3       |
|    | VOE8188743 |   | 1 |   |   |  |    |  | Engine                    |          | S/N 6181 - 6465<br>D12D-B |
|    | VOE8188771 |   |   | 1 |   |  |    |  | Engine                    |          | S/N 6466 - 7043<br>D12D-L |
|    | VOE8188771 |   |   | 1 |   |  |    |  | Engine                    | VOE85066 | S/N 7044 - D12D-L         |
|    | VOE8188765 |   |   |   | 1 |  |    |  | Engine                    | VOE85067 | . D12D-K                  |
| 1  |            | 1 | 1 | 1 | 1 |  |    |  | •Cylinder head            |          | See ref 211/100           |
| 2  |            | 1 | 1 | 1 | 1 |  |    |  | •Cylinder block           |          | See ref 212/100           |
| 3  |            | 1 | 1 | 1 | 1 |  |    |  | •Crankcase Venti          |          | See ref 212/200           |
| 4  |            | 6 | 6 | 6 | 6 |  |    |  | •Cylinder<br>liner,piston |          | See ref 213/100           |
| 5  |            | 1 | 1 | 1 | 1 |  |    |  | •Valve mechanism          |          | See ref 214/100           |
| 6  |            | 1 | 1 | 1 | 1 |  |    |  | •Timing gear casing       |          | See ref 215/100           |
| 7  |            | 1 | 1 | 1 | 1 |  |    |  | •Camshaft                 |          | See ref 215/200           |
| 8  |            | 1 | 1 | 1 | 1 |  |    |  | •Crankshaft               |          | See ref 216/100           |
| 9  |            | 1 | 1 | 1 | 1 |  |    |  | •Flywheel Hsg             |          | See ref 216/150           |
| 10 |            | 1 | 1 |   |   |  |    |  | •Oil sump                 |          | See ref 217/100           |
| 10 |            |   |   | 1 | 1 |  |    |  | •Oil sump                 |          | See ref 217/150           |
| 11 |            | 1 | 1 | 1 | 1 |  |    |  | •Engine mounting          |          | See ref 218/100           |
| 12 |            | 1 | 1 | 1 | 1 |  |    |  | •Lubricating system       |          | See ref 221/100           |
| 13 |            | 1 | 1 | 1 | 1 |  |    |  | •Oil filter               |          | See ref 222/100           |
| 14 |            | 1 | 1 | 1 | 1 |  |    |  | •Oil cooler               |          | See ref 223/100           |
| 15 |            | 1 | 1 | 1 | 1 |  |    |  | •Fuel system              |          | See ref 235/200           |
| 16 |            | 1 | 1 | 1 | 1 |  |    |  | •Injector                 |          | See ref 237/100           |
| 17 |            | 1 | 1 | 1 | 1 |  |    |  | •Inlet, exhaust syst.     |          | See ref 251/100           |
| 18 |            | 1 | 1 | 1 | 1 |  |    |  | •Turbocharger             |          | See ref 255/100           |
| 19 |            | 1 | 1 | 1 | 1 |  |    |  | •Charge air cooler        |          | See ref 258/100           |
| 20 |            | 1 | 1 | 1 | 1 |  |    |  | •Thermostat<br>Housing    |          | See ref 262/100           |
| 21 |            | 1 | 1 | 1 | 1 |  |    |  | •Belt transmission        |          | See ref 263/400           |
| 22 |            | 1 | 1 | 1 | 1 |  |    |  | •Starter Motor            |          | See ref 331/100           |
| 23 |            | 1 | 1 | 1 | 1 |  |    |  | •Starter Element          |          | See ref 333/100           |
| 24 |            | 1 | 1 | 1 | 1 |  |    |  | •Cable harness            |          | See ref 371/300           |

|                           |                             |                                  |   |
|---------------------------|-----------------------------|----------------------------------|---|
| Date:<br><b>2014/3/11</b> | Image id:<br><b>1053110</b> | Catalogue:<br><b>20111</b>       | Model:<br><b>L220F</b>                            |
| Brand:<br><b>Volvo</b>    | Serial:<br><b>6005-8485</b> | Group/Section:<br><b>211/100</b> | Title:<br><b>Cylinder head with fitting parts</b> |



Volvo Construction  
Equipment  
1053110

| Section option | Kit | Option description |
|----------------|-----|--------------------|
| VOE8188741     |     | Engine D12DLBE3    |
| VOE8188743     |     | Engine D12D-B      |
| VOE8188765     |     | Engine D12D-K      |
| VOE8188771     |     | Engine D12D-L      |

| Pos | Part        | Q1 | Q2 | Q3 | Q4 | Q5 | PS | Kit | Description   | Option(s) | Remark   |
|-----|-------------|----|----|----|----|----|----|-----|---------------|-----------|--|
| 1   |             | 1  |    |    |    |    |    |     | Cylinder head |           | E PROD See ref<br>211/150<br>L PROD See ref<br>211/200 |
| 2   | VOE3099100  | 1  |    |    |    |    |    |     | Gasket kit    |           |  |
| 3   | VOE20412953 | 1  |    |    |    |    |    |     | •Gasket       |           |  |
| 4   | VOE1547419  | 38 |    |    |    |    |    |     | Screw         |           | ENG - 649456   |
| 4   | VOE21345131 | 38 |    |    |    |    |    |     | Screw         |           | ENG 649457 -   |
| 5   | VOE8148863  | 9  |    |    |    |    |    |     | Stud          |           | ENG - 651827   |

**<https://www.ebooklibonline.com>**

Hello dear friend!

Thank you very much for reading.

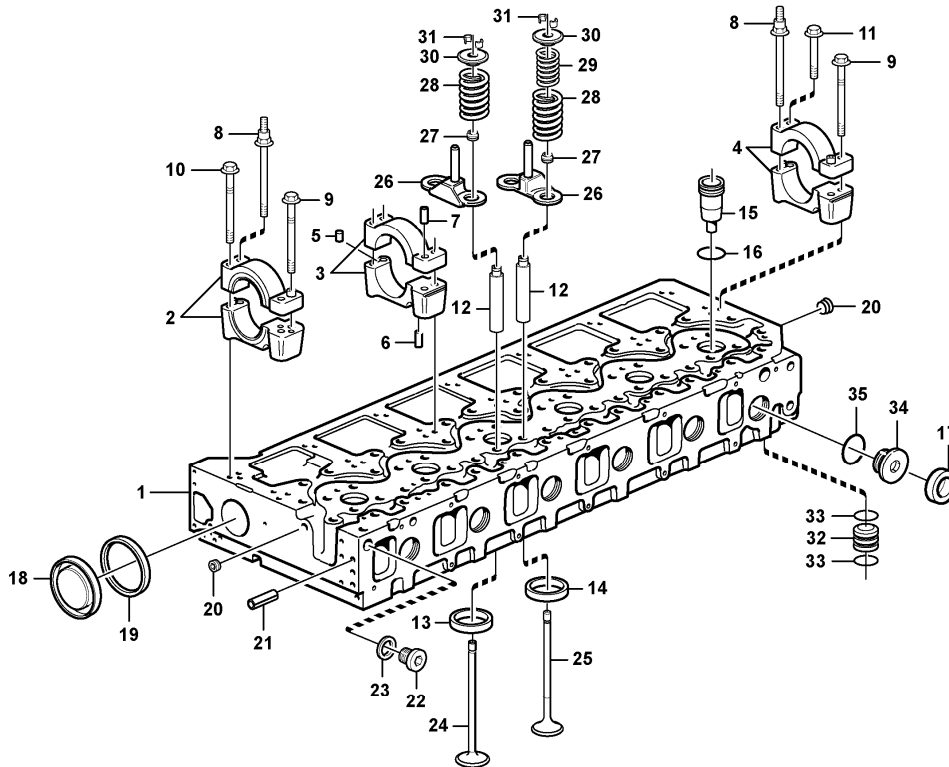
Enter the link into your browser.

The full manual is available for immediate download.

**<https://www.ebooklibonline.com>**

|   |             |   |  |  |  |  |    |  |              |  |              |
|---|-------------|---|--|--|--|--|----|--|--------------|--|--------------|
| 5 | VOE21344784 | 9 |  |  |  |  |    |  | Stud         |  | ENG 651828 - |
| 6 | VOE11127534 | 1 |  |  |  |  |    |  | Bracket      |  | ENG - 620728 |
| 7 | VOE20566300 | 1 |  |  |  |  | OP |  | Heat shield  |  |              |
| 8 | VOE946441   | 3 |  |  |  |  |    |  | Flange screw |  | L = 20 MM    |

|                           |                             |                                  |                                       |
|---------------------------|-----------------------------|----------------------------------|---------------------------------------|
| Date:<br><b>2014/3/11</b> | Image id:<br><b>1035442</b> | Catalogue:<br><b>20111</b>       | Model:<br><b>L220F</b>                |
| Brand:<br><b>Volvo</b>    | Serial:<br><b>6005-8485</b> | Group/Section:<br><b>211/150</b> | Title:<br><b>Cylinder head E PROD</b> |



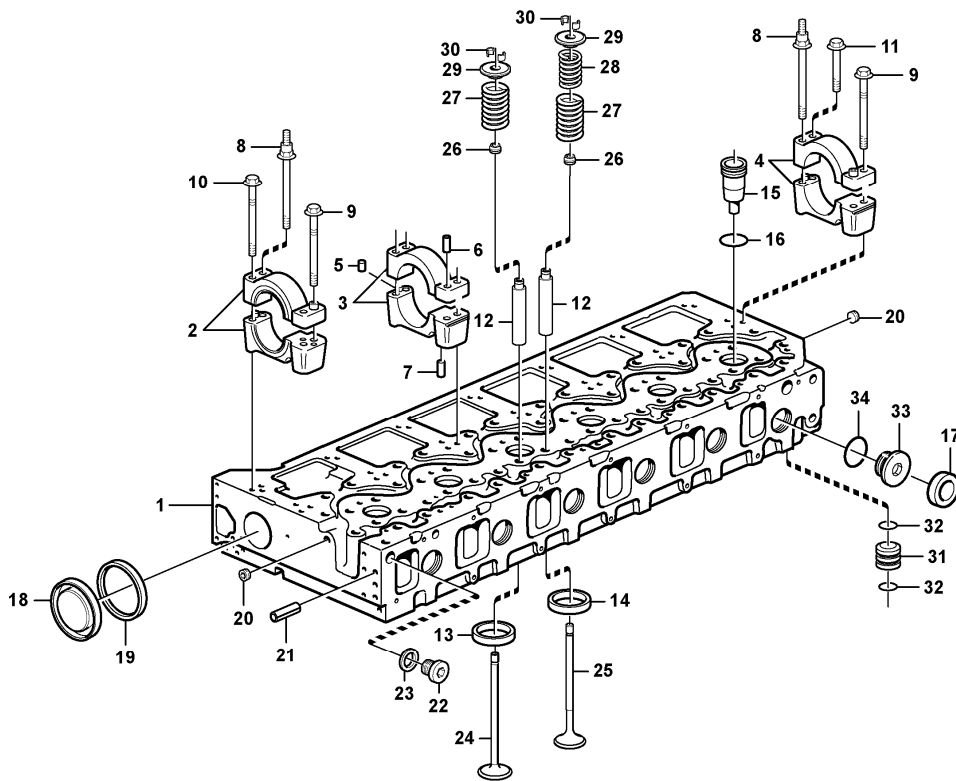
Volvo Construction  
Equipment  
1035442

| Section option | Kit | Option description |
|----------------|-----|--------------------|
| VOE8188741     |     | Engine D12DLBE3    |
| VOE8188743     |     | Engine D12D-B      |
| VOE8188765     |     | Engine D12D-K      |
| VOE8188771     |     | Engine D12D-L      |

| Pos | Part        | Q1 | Q2 | Q3 | Q4 | Q5 | PS | Kit | Description       | Option(s) | Remark |
|-----|-------------|----|----|----|----|----|----|-----|-------------------|-----------|--------|
|     | VOE20560799 | 1  |    |    |    |    | SS |     | Cylinder head     |           |        |
|     | VOE24426421 | 1  |    |    |    |    | SE |     | •Cylinder head    |           |        |
| 1   | VOE20478371 | 1  |    |    |    |    | OP |     | ••Cylinder head   |           |        |
| 2   | VOE3165130  | 1  |    |    |    |    |    |     | ••Bearing housing |           |        |
| 3   | VOE3165133  | 5  |    |    |    |    |    |     | ••Bearing housing |           |        |
| 4   | VOE3165136  | 1  |    |    |    |    |    |     | ••Bearing housing |           |        |
| 5   | VOE950542   | 7  |    |    |    |    |    |     | •••Pin            |           |        |
| 6   | VOE1677189  | 7  |    |    |    |    | NS |     | •••Sleeve         |           |        |
| 7   | VOE950562   | 14 |    |    |    |    |    |     | ••Pin             |           |        |

|    |             |    |  |  |  |  |    |  |                      |  |               |
|----|-------------|----|--|--|--|--|----|--|----------------------|--|---------------|
| 8  | VOE21344812 | 7  |  |  |  |  |    |  | ••Stud               |  |               |
| 9  | VOE21344776 | 14 |  |  |  |  |    |  | ••Screw              |  | L = 127 mm    |
| 10 | VOE21344752 | 1  |  |  |  |  |    |  | ••Screw              |  |               |
| 11 | VOE1677283  | 6  |  |  |  |  |    |  | ••Screw              |  |               |
| 12 | VOE20817648 | 24 |  |  |  |  |    |  | ••Valve guide        |  | (VOE20460636) |
| 13 | VOE20459329 | 12 |  |  |  |  |    |  | ••Valve seat         |  | INLET         |
| 14 | VOE20412798 | 12 |  |  |  |  |    |  | ••Valve seat         |  | EXHAUST       |
| 15 | VOE3183368  | 6  |  |  |  |  |    |  | ••Sleeve             |  |               |
| 16 | VOE20536487 | 6  |  |  |  |  |    |  | ••O-ring             |  |               |
| 17 | VOE8131707  | 11 |  |  |  |  |    |  | ••Cap plug           |  |               |
| 18 | VOE8170553  | 1  |  |  |  |  |    |  | ••Cap plug           |  |               |
| 19 | VOE1544710  | 1  |  |  |  |  |    |  | •Sealing ring        |  |               |
| 20 | VOE13968062 | 2  |  |  |  |  |    |  | •Plug                |  |               |
| 21 | VOE422426   | 1  |  |  |  |  |    |  | •Pin                 |  |               |
| 22 | VOE20441335 | 1  |  |  |  |  |    |  | •Plug                |  |               |
| 23 | VOE13947281 | 1  |  |  |  |  |    |  | •Gasket              |  |               |
| 24 | VOE20459326 | 12 |  |  |  |  |    |  | •Inlet valve         |  |               |
| 25 | VOE20441486 | 12 |  |  |  |  |    |  | •Exhaust Valve       |  |               |
| 26 | VOE1677963  | 6  |  |  |  |  |    |  | •Guide pin           |  |               |
| 27 | VOE859171   | 24 |  |  |  |  |    |  | •Valve seal          |  |               |
| 28 | VOE21310068 | 24 |  |  |  |  |    |  | •Valve spring        |  |               |
| 29 | VOE3183211  | 12 |  |  |  |  |    |  | •Valve spring        |  |               |
| 30 | VOE1546487  | 24 |  |  |  |  |    |  | •Valve spring washer |  |               |
| 31 | VOE1677875  | 48 |  |  |  |  |    |  | •Valve sleeve        |  |               |
| 32 | VOE20463179 | 1  |  |  |  |  |    |  | •Adapter             |  |               |
| 33 | VOE13949721 | 2  |  |  |  |  |    |  | •O-ring              |  |               |
|    | VOE3165025  | 1  |  |  |  |  | NS |  | •Plug                |  |               |
| 34 | VOE3155171  | 1  |  |  |  |  |    |  | ••Plug               |  |               |
| 35 | VOE949659   | 2  |  |  |  |  |    |  | ••O-ring             |  |               |

|                           |                             |                                  |                                       |
|---------------------------|-----------------------------|----------------------------------|---------------------------------------|
| Date:<br><b>2014/3/11</b> | Image id:<br><b>1031935</b> | Catalogue:<br><b>20111</b>       | Model:<br><b>L220F</b>                |
| Brand:<br><b>Volvo</b>    | Serial:<br><b>6005-8485</b> | Group/Section:<br><b>211/200</b> | Title:<br><b>Cylinder head L PROD</b> |



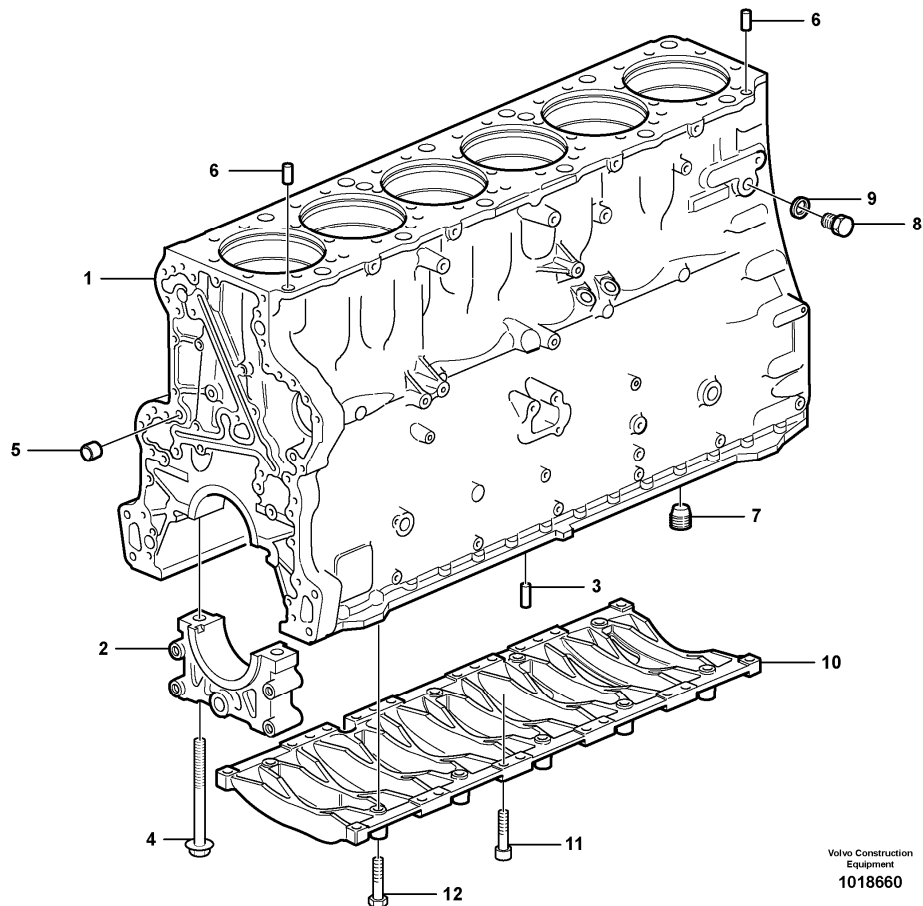
Volvo Construction  
Equipment  
1031935

| Section option | Kit | Option description |
|----------------|-----|--------------------|
| VOE8188741     |     | Engine D12DLBE3    |
| VOE8188743     |     | Engine D12D-B      |
| VOE8188765     |     | Engine D12D-K      |
| VOE8188771     |     | Engine D12D-L      |

| Pos | Part        | Q1 | Q2 | Q3 | Q4 | Q5 | PS | Kit | Description       | Option(s) | Remark |
|-----|-------------|----|----|----|----|----|----|-----|-------------------|-----------|--------|
|     | VOE21086450 | 1  |    |    |    |    |    |     | Cylinder head     |           |        |
|     | VOE24426421 | 1  |    |    |    |    | SE |     | •Cylinder head    |           |        |
| 1   | VOE20478371 | 1  |    |    |    |    | OP |     | ••Cylinder head   |           |        |
| 2   | VOE3165130  | 1  |    |    |    |    |    |     | ••Bearing housing |           |        |
| 3   | VOE3165133  | 5  |    |    |    |    |    |     | ••Bearing housing |           |        |
| 4   | VOE3165136  | 1  |    |    |    |    |    |     | ••Bearing housing |           |        |
| 5   | VOE950542   | 7  |    |    |    |    |    |     | •••Pin            |           |        |
| 6   | VOE1677189  | 7  |    |    |    |    |    |     | •••Sleeve         |           |        |
| 7   | VOE950562   | 14 |    |    |    |    |    |     | •••Pin            |           |        |

|    |             |    |  |  |  |  |    |  |                      |  |              |
|----|-------------|----|--|--|--|--|----|--|----------------------|--|--------------|
| 8  | VOE21344812 | 7  |  |  |  |  |    |  | ••Stud               |  |              |
| 9  | VOE21344776 | 14 |  |  |  |  |    |  | ••Screw              |  | L = 127 mm   |
| 10 | VOE21344752 | 1  |  |  |  |  |    |  | ••Screw              |  | L = 106 MM   |
| 11 | VOE1677283  | 6  |  |  |  |  |    |  | ••Screw              |  | L = 70 MM    |
| 12 | VOE20817648 | 24 |  |  |  |  |    |  | ••Valve guide        |  |              |
| 13 | VOE20459329 | 12 |  |  |  |  |    |  | ••Valve seat         |  | INLET        |
| 14 | VOE20412798 | 12 |  |  |  |  |    |  | ••Valve seat         |  | EXHAUST      |
| 15 | VOE3183368  | 6  |  |  |  |  |    |  | ••Sleeve             |  |              |
| 16 | VOE20536487 | 6  |  |  |  |  |    |  | ••O-ring             |  |              |
| 17 | VOE8131707  | 11 |  |  |  |  |    |  | ••Cap plug           |  |              |
| 18 | VOE8170553  | 1  |  |  |  |  |    |  | ••Cap plug           |  |              |
| 19 | VOE1544710  | 1  |  |  |  |  |    |  | •Sealing ring        |  |              |
| 20 | VOE990830   | 2  |  |  |  |  |    |  | •Plug                |  |              |
| 21 | VOE422426   | 1  |  |  |  |  |    |  | •Pin                 |  |              |
| 22 | VOE20441335 | 1  |  |  |  |  |    |  | •Plug                |  |              |
| 23 | VOE13947281 | 1  |  |  |  |  |    |  | •Gasket              |  |              |
| 24 | VOE20459326 | 12 |  |  |  |  |    |  | •Inlet valve         |  |              |
| 25 | VOE20441486 | 12 |  |  |  |  |    |  | •Exhaust Valve       |  |              |
| 26 | VOE859171   | 24 |  |  |  |  |    |  | •Valve seal          |  | ENG - 660580 |
| 26 | VOE21501189 | 24 |  |  |  |  |    |  | •Valve stem seal     |  | ENG 660581 - |
| 27 | VOE21310068 | 24 |  |  |  |  |    |  | •Valve spring        |  |              |
| 28 | VOE3183211  | 12 |  |  |  |  |    |  | •Valve spring        |  |              |
| 29 | VOE1546487  | 24 |  |  |  |  |    |  | •Valve spring washer |  |              |
| 30 | VOE1677875  | 48 |  |  |  |  |    |  | •Valve sleeve        |  |              |
| 31 | VOE20463179 | 1  |  |  |  |  |    |  | •Adapter             |  |              |
| 32 | VOE13949721 | 2  |  |  |  |  |    |  | •O-ring              |  |              |
|    | VOE3165025  | 1  |  |  |  |  | NS |  | •Plug                |  |              |
| 33 | VOE3155171  | 1  |  |  |  |  |    |  | ••Plug               |  |              |
| 34 | VOE949659   | 1  |  |  |  |  |    |  | ••O-ring             |  |              |

|                           |                             |                                  |                                 |
|---------------------------|-----------------------------|----------------------------------|---------------------------------|
| Date:<br><b>2014/3/11</b> | Image id:<br><b>1018660</b> | Catalogue:<br><b>20111</b>       | Model:<br><b>L220F</b>          |
| Brand:<br><b>Volvo</b>    | Serial:<br><b>6005-8485</b> | Group/Section:<br><b>212/100</b> | Title:<br><b>Cylinder block</b> |

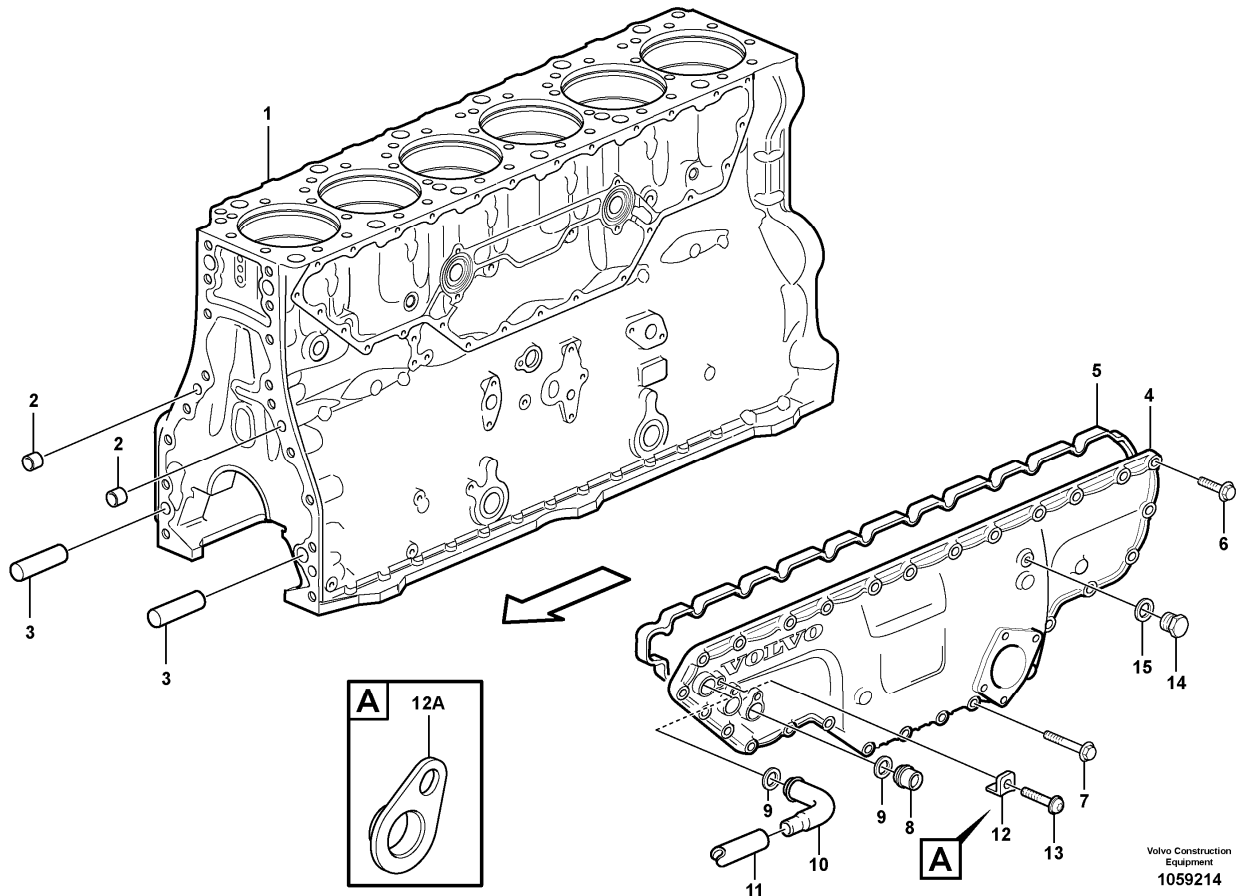


| Section option | Kit | Option description |
|----------------|-----|--------------------|
| VOE8188741     |     | Engine D12DLBE3    |
| VOE8188743     |     | Engine D12D-B      |
| VOE8188765     |     | Engine D12D-K      |
| VOE8188771     |     | Engine D12D-L      |

| Pos | Part        | Q1 | Q2 | Q3 | Q4 | Q5 | PS | Kit | Description     | Option(s) | Remark |
|-----|-------------|----|----|----|----|----|----|-----|-----------------|-----------|--------|
|     | VOE8130120  | 1  |    |    |    |    | SS |     | Cylinder block  |           |        |
| 1   | VOE8130121  | 1  |    |    |    |    | NS |     | •Cylinder Block |           |        |
| 2   |             | 7  |    |    |    |    | NS |     | •Cap            |           |        |
| 3   | VOE422426   | 1  |    |    |    |    |    |     | •Pin            |           |        |
| 4   | VOE21345129 | 14 |    |    |    |    |    |     | •Screw          |           |        |
| 5   | VOE981735   | 1  |    |    |    |    |    |     | Cap plug        |           |        |
| 6   | VOE8170389  | 2  |    |    |    |    |    |     | Guide sleeve    |           |        |
| 7   | VOE8170666  | 1  |    |    |    |    |    |     | Plug            |           |        |
| 8   | VOE13960634 | 1  |    |    |    |    |    |     | Plug            |           |        |

|    |             |    |  |  |  |  |  |  |                |  |           |
|----|-------------|----|--|--|--|--|--|--|----------------|--|-----------|
| 9  | VOE13947627 | 1  |  |  |  |  |  |  | Plane gasket   |  |           |
| 10 | VOE20397778 | 1  |  |  |  |  |  |  | Frame          |  |           |
| 11 | VOE973523   | 24 |  |  |  |  |  |  | Allen Hd Screw |  |           |
| 12 | VOE13965187 | 8  |  |  |  |  |  |  | Screw          |  | L = 60 MM |

|                           |                             |                                  |                                 |
|---------------------------|-----------------------------|----------------------------------|---------------------------------|
| Date:<br><b>2014/3/11</b> | Image id:<br><b>1059214</b> | Catalogue:<br><b>20111</b>       | Model:<br><b>L220F</b>          |
| Brand:<br><b>Volvo</b>    | Serial:<br><b>6005-8485</b> | Group/Section:<br><b>212/150</b> | Title:<br><b>Cylinder block</b> |



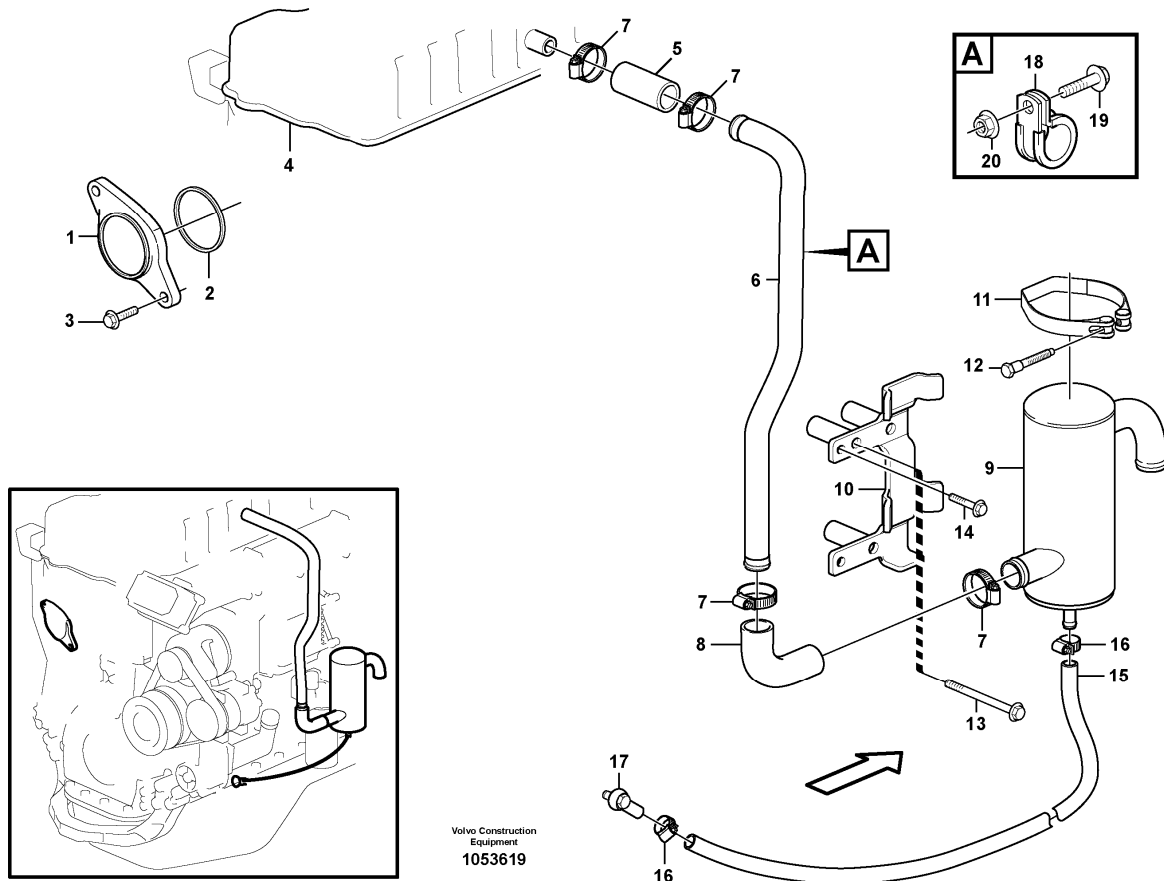
Volvo Construction  
Equipment  
1059214

| Section option | Kit | Option description |
|----------------|-----|--------------------|
| VOE8188741     |     | Engine D12DLBE3    |
| VOE8188743     |     | Engine D12D-B      |
| VOE8188765     |     | Engine D12D-K      |
| VOE8188771     |     | Engine D12D-L      |

| Pos | Part        | Q1 | Q2 | Q3 | Q4 | Q5 | PS | Kit | Description    | Option(s) | Remark          |
|-----|-------------|----|----|----|----|----|----|-----|----------------|-----------|-----------------|
| 1   |             | 1  |    |    |    |    |    |     | Cylinder block |           | See ref 212/100 |
| 2   | VOE981735   | 2  |    |    |    |    |    |     | Cap plug       |           |                 |
| 3   | VOE8170389  | 2  |    |    |    |    |    |     | Guide sleeve   |           |                 |
| 4   | VOE20538056 | 1  |    |    |    |    |    |     | Casing         |           |                 |
| 5   | VOE20712545 | 1  |    |    |    |    |    |     | Seal           |           |                 |
| 6   | VOE13945444 | 20 |    |    |    |    |    |     | Screw          |           |                 |
| 7   | VOE13965180 | 7  |    |    |    |    |    |     | Screw          |           |                 |
| 8   | VOE1546528  | 1  |    |    |    |    |    |     | Plug           |           | ENG - 658198    |
| 9   | VOE1547252  | 2  |    |    |    |    |    |     | Sealing ring   |           |                 |

|     |             |   |  |  |  |  |  |  |                           |  |                 |
|-----|-------------|---|--|--|--|--|--|--|---------------------------|--|-----------------|
| 10  | VOE11127377 | 1 |  |  |  |  |  |  | Tube                      |  |                 |
| 11  |             | 1 |  |  |  |  |  |  | Hose                      |  | See ref 873/100 |
| 12  | VOE1546532  | 2 |  |  |  |  |  |  | Lock                      |  | ENG - 643971    |
|     | VOE1546532  | 1 |  |  |  |  |  |  | Lock                      |  | ENG 643972 -    |
| 12A | VOE20718731 | 1 |  |  |  |  |  |  | Yoke                      |  | ENG 643972 -    |
| 13  | VOE13972542 | 2 |  |  |  |  |  |  | Six point socket<br>screw |  |                 |
| 14  | VOE960631   | 2 |  |  |  |  |  |  | Plug                      |  |                 |
| 15  | VOE7011996  | 2 |  |  |  |  |  |  | Gasket                    |  |                 |

|                           |                             |                                  |  |
|---------------------------|-----------------------------|----------------------------------|--|
| Date:<br><b>2014/3/11</b> | Image id:<br><b>1053619</b> | Catalogue:<br><b>20111</b>       | Model:<br><b>L220F</b>                 |
| Brand:<br><b>Volvo</b>    | Serial:<br><b>6005-8485</b> | Group/Section:<br><b>212/200</b> | Title:<br><b>Crankcase ventilation</b> |

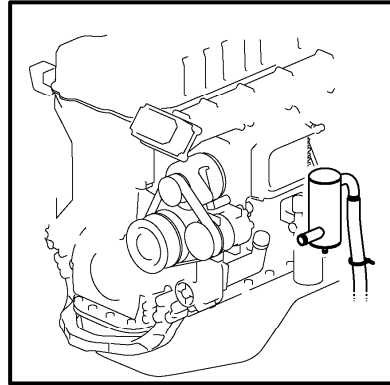
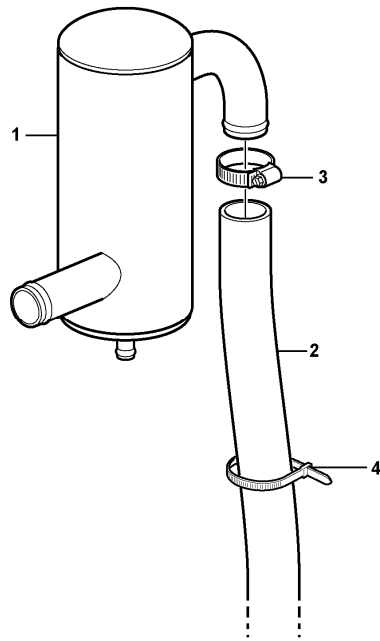


| Section option | Kit | Option description |
|----------------|-----|--------------------|
| VOE8188741     |     | Engine D12DLBE3    |
| VOE8188743     |     | Engine D12D-B      |
| VOE8188765     |     | Engine D12D-K      |
| VOE8188771     |     | Engine D12D-L      |

| Pos | Part        | Q1 | Q2 | Q3 | Q4 | Q5 | PS | Kit | Description  | Option(s) | Remark          |
|-----|-------------|----|----|----|----|----|----|-----|--------------|-----------|-----------------|
| 1   | VOE20700315 | 1  |    |    |    |    |    |     | Plug         |           |                 |
| 2   | VOE3165097  | 1  |    |    |    |    |    |     | Sealing ring |           |                 |
| 3   | VOE13945444 | 2  |    |    |    |    |    |     | Screw        |           |                 |
| 4   |             | 1  |    |    |    |    |    |     | Valve Cover  |           | See ref 214/100 |
| 5   | VOE11128750 | 1  |    |    |    |    |    |     | Hose         |           | L = 90 MM       |
| 6   | VOE11423651 | 1  |    |    |    |    |    |     | Pipe         |           | ENG - 622227    |
| 6   | VOE11423802 | 1  |    |    |    |    |    |     | Pipe         |           | ENG 622228 -    |
| 7   | VOE943476   | 4  |    |    |    |    |    |     | Hose clamp   |           | ENG - 654902    |
| 7   | VOE994560   | 4  |    |    |    |    |    |     | Hose clamp   |           | ENG 654903 -    |

|    |             |     |  |  |  |  |  |  |                 |  |                 |
|----|-------------|-----|--|--|--|--|--|--|-----------------|--|-----------------|
| 8  | VOE11128756 | 1   |  |  |  |  |  |  | Hose            |  |                 |
| 9  | VOE11033878 | 1   |  |  |  |  |  |  | Oil trap        |  |                 |
| 10 | VOE11423146 | 1   |  |  |  |  |  |  | Attachment      |  |                 |
| 11 | VOE420914   | 1   |  |  |  |  |  |  | Tensioning Band |  |                 |
| 12 | VOE1545257  | 1   |  |  |  |  |  |  | Screw           |  |                 |
| 13 | VOE13965188 | 3   |  |  |  |  |  |  | Screw           |  |                 |
| 14 | VOE946440   | 2   |  |  |  |  |  |  | Flange screw    |  |                 |
| 15 | VOE983342   | REQ |  |  |  |  |  |  | Hose            |  | L = 520 MM      |
| 16 | VOE943471   | 2   |  |  |  |  |  |  | Hose clamp      |  | ENG - 654902    |
| 16 | VOE994556   | 2   |  |  |  |  |  |  | Hose clamp      |  | ENG 654903 -    |
| 17 |             | 1   |  |  |  |  |  |  | Nipple          |  | See ref 217/200 |
|    |             |     |  |  |  |  |  |  |                 |  | See ref 217/250 |
| 18 | VOE952638   | 1   |  |  |  |  |  |  | Clamp           |  |                 |
| 19 | VOE946934   | 1   |  |  |  |  |  |  | Flange screw    |  |                 |
| 20 | VOE949278   | 1   |  |  |  |  |  |  | Flange lock nut |  |                 |

|                           |                             |                                  |  |
|---------------------------|-----------------------------|----------------------------------|--|
| Date:<br><b>2014/3/11</b> | Image id:<br><b>1018618</b> | Catalogue:<br><b>20111</b>       | Model:<br><b>L220F</b>                 |
| Brand:<br><b>Volvo</b>    | Serial:<br><b>6005-8485</b> | Group/Section:<br><b>212/250</b> | Title:<br><b>Crankcase ventilation</b> |

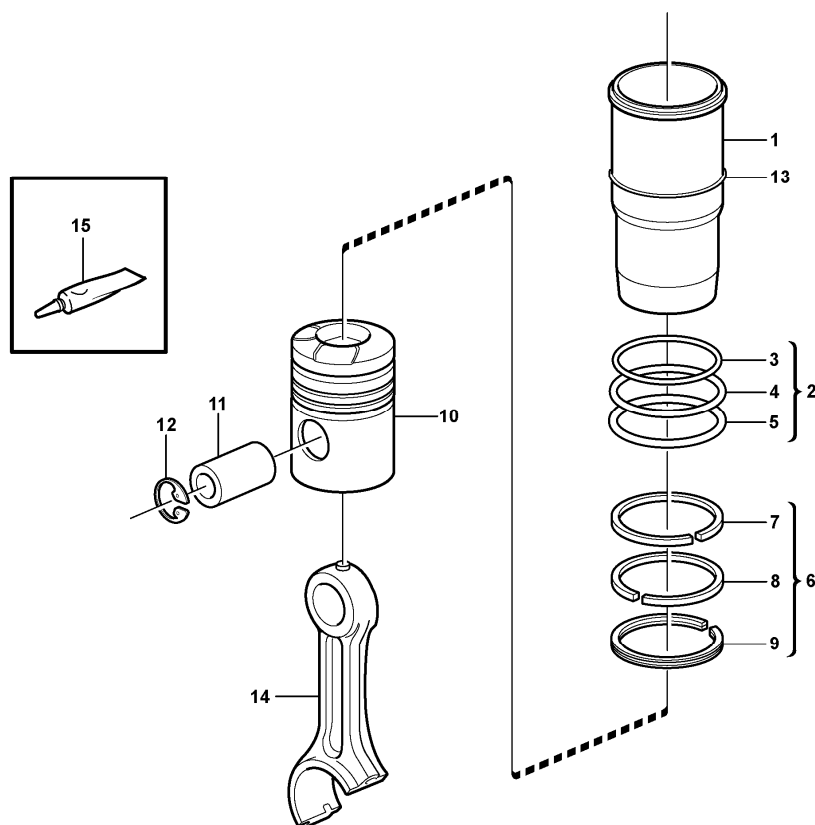


Volvo Construction  
Equipment  
1018618

| Section option | Kit | Option description |
|----------------|-----|--------------------|
| VOE33842       |     | Wheel Loader L220F |

| Pos | Part        | Q1  | Q2 | Q3 | Q4 | Q5 | PS | Kit | Description     | Option(s) | Remark          |
|-----|-------------|-----|----|----|----|----|----|-----|-----------------|-----------|-----------------|
| 1   |             | 1   |    |    |    |    |    |     | Oil Trap        |           | See ref 212/200 |
| 2   | VOE13942707 | REQ |    |    |    |    |    |     | Hose            |           | L = 950 MM      |
| 3   | VOE943476   | 1   |    |    |    |    |    |     | Hose clamp      |           | ENG - 654902    |
| 3   | VOE993963   | 1   |    |    |    |    |    |     | Hose clamp      |           | ENG 654903 -    |
| 4   | VOE11104606 | 1   |    |    |    |    |    |     | Retaining strap |           |                 |

|                           |                             |                                  |  |
|---------------------------|-----------------------------|----------------------------------|--|
| Date:<br><b>2014/3/11</b> | Image id:<br><b>1035153</b> | Catalogue:<br><b>20111</b>       | Model:<br><b>L220F</b>                     |
| Brand:<br><b>Volvo</b>    | Serial:<br><b>6005-8485</b> | Group/Section:<br><b>213/100</b> | Title:<br><b>Cylinder liner and piston</b> |



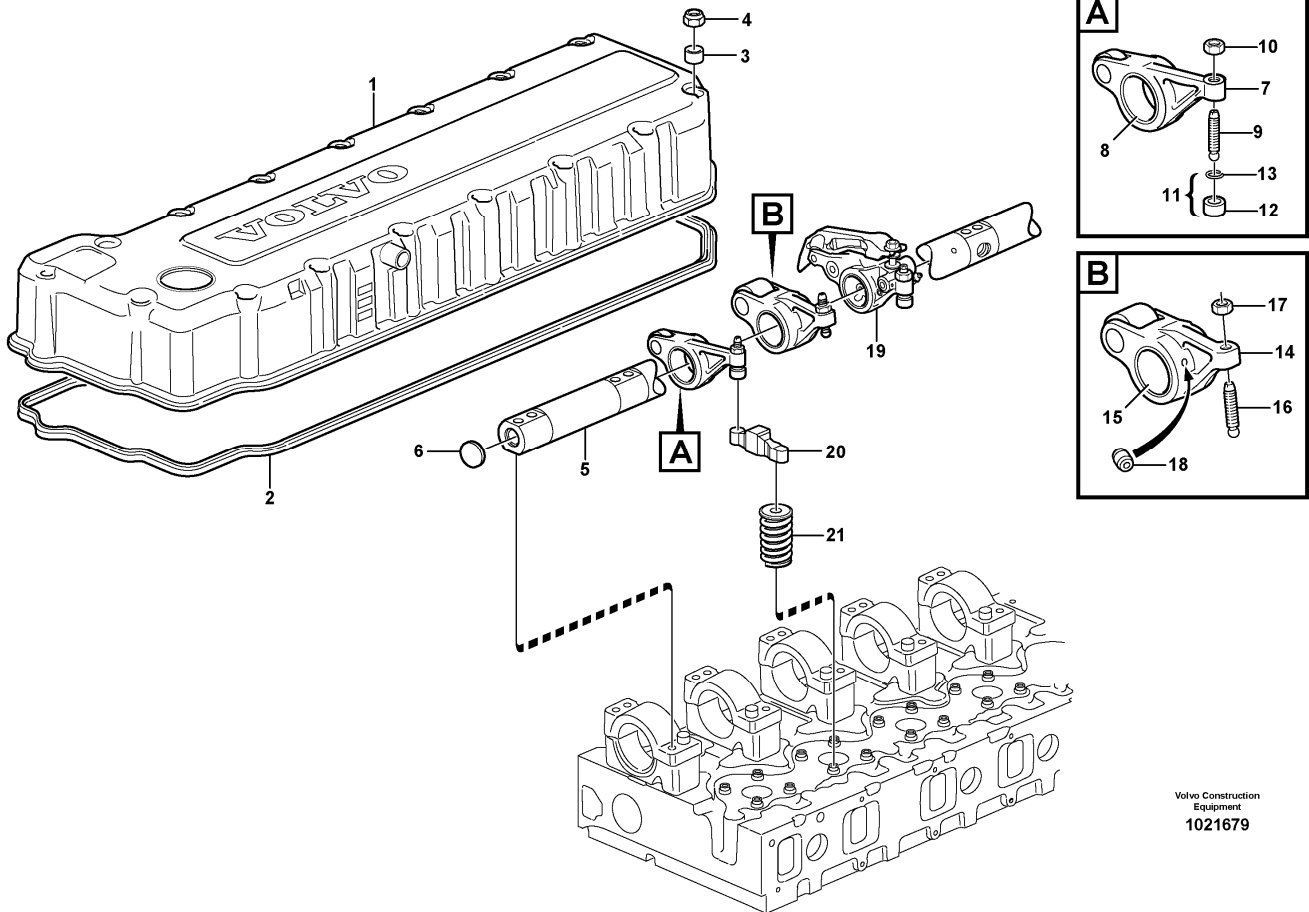
Volvo Construction  
Equipment  
1035153

| Section option | Kit | Option description |
|----------------|-----|--------------------|
| VOE8188741     |     | Engine D12DLBE3    |
| VOE8188743     |     | Engine D12D-B      |
| VOE8188765     |     | Engine D12D-K      |
| VOE8188771     |     | Engine D12D-L      |

| Pos | Part        | Q1 | Q2 | Q3 | Q4 | Q5 | PS | Kit | Description        | Option(s) | Remark |
|-----|-------------|----|----|----|----|----|----|-----|--------------------|-----------|--------|
|     | VOE20820358 | 6  |    |    |    |    |    |     | Cylinder           |           |        |
| 1   |             | 6  |    |    |    |    | NS |     | •Cylinder Liner    |           |        |
| 2   | VOE270950   | 6  |    |    |    |    |    |     | •Sealing kit       |           |        |
| 3   | VOE470922   | 6  |    |    |    |    |    |     | ••Seal Ring        |           | UPPER  |
| 4   |             | 12 |    |    |    |    | NS |     | ••Sealing ring     |           | CENT   |
| 5   |             | 6  |    |    |    |    | NS |     | ••Sealing ring     |           | LOW    |
| 6   | VOE20820363 | 6  |    |    |    |    |    |     | •Piston Ring Kit   |           |        |
| 7   | VOE20411224 | 6  |    |    |    |    | OP |     | ••Compression ring |           | UPPER  |
| 8   | VOE20576259 | 6  |    |    |    |    | OP |     | ••Compression ring |           | LOW    |

|    |             |     |  |  |  |  |    |  |                    |  |                 |
|----|-------------|-----|--|--|--|--|----|--|--------------------|--|-----------------|
| 9  | VOE20505156 | 6   |  |  |  |  | OP |  | ••Oil scraper ring |  |                 |
| 10 | VOE20482587 | 6   |  |  |  |  | OP |  | •Piston            |  |                 |
| 11 | VOE3155115  | 6   |  |  |  |  |    |  | •Gudgeon pin       |  |                 |
| 12 | VOE914530   | 12  |  |  |  |  |    |  | •Retaining ring    |  |                 |
| 13 | VOE1677591  | REQ |  |  |  |  |    |  | Shim               |  | THICK = 0,2 MM  |
| 13 | VOE1677592  | REQ |  |  |  |  |    |  | Shim               |  | THICK = 0,3 MM  |
| 13 | VOE1677593  | REQ |  |  |  |  |    |  | Shim               |  | THICK = 0,5 MM  |
| 14 |             | 6   |  |  |  |  |    |  | Connecting rod     |  | See ref 216/100 |
| 15 | VOE1161277  | REQ |  |  |  |  |    |  | Sealant            |  | 20 GRAM         |
|    | VOE11713514 | REQ |  |  |  |  |    |  | Sealant            |  |                 |

|                           |                             |                                  |                                  |
|---------------------------|-----------------------------|----------------------------------|----------------------------------|
| Date:<br><b>2014/3/11</b> | Image id:<br><b>1021679</b> | Catalogue:<br><b>20111</b>       | Model:<br><b>L220F</b>           |
| Brand:<br><b>Volvo</b>    | Serial:<br><b>6005-8485</b> | Group/Section:<br><b>214/100</b> | Title:<br><b>Valve mechanism</b> |



Volvo Construction  
Equipment  
1021679

| Section option | Kit | Option description |
|----------------|-----|--------------------|
| VOE8188741     |     | Engine D12DLBE3    |
| VOE8188743     |     | Engine D12D-B      |
| VOE8188765     |     | Engine D12D-K      |
| VOE8188771     |     | Engine D12D-L      |

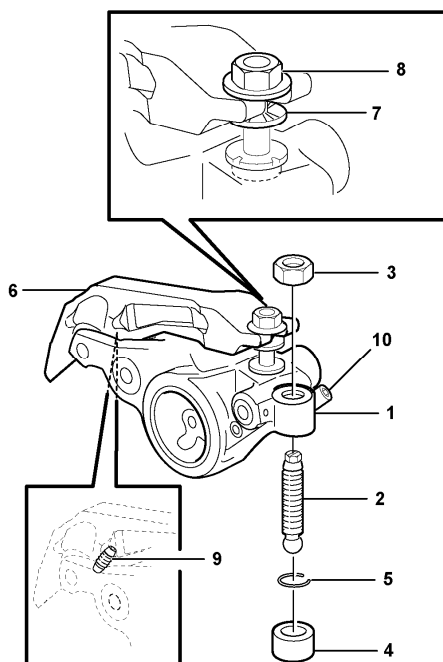
| Q1-Q5           | Option | Option description |  |
|-----------------|--------|--------------------|--|
| Q1 ENG - 644714 |        |                    |  |
| Q2 ENG 644715 - |        |                    |  |

| Pos | Part        | Q1 | Q2 | Q3 | Q4 | Q5 | PS | Kit | Description   | Option(s) | Remark |
|-----|-------------|----|----|----|----|----|----|-----|---------------|-----------|--------|
| 1   | VOE20545676 | 1  | 1  |    |    |    |    |     | Valve Cover   |           |        |
| 1   | VOE20545673 | 1  | 1  |    |    |    | NS |     | •Valve cover  |           |        |
| 2   | VOE21070576 | 1  | 1  |    |    |    |    |     | Sealing strip |           |        |
| 3   | VOE3964604  | 16 | 16 |    |    |    |    |     | Bushing       |           |        |
| 4   | VOE8148488  | 16 | 16 |    |    |    |    |     | Lock nut      |           |        |

|    |             |    |    |  |  |  |    |  |                   |  |                    |
|----|-------------|----|----|--|--|--|----|--|-------------------|--|--------------------|
| 5  | VOE8170158  | 1  | 1  |  |  |  |    |  | Rocker arm shaft  |  |                    |
| 5  | VOE8170159  | 1  | 1  |  |  |  | OP |  | •Rocker arm shaft |  |                    |
| 6  | VOE980176   | 2  | 2  |  |  |  |    |  | •Expansion plug   |  |                    |
| 7  | VOE21024794 | 6  | 6  |  |  |  |    |  | Rocker arm        |  | INLET              |
| 7  | VOE1546690  | 6  | 6  |  |  |  | NS |  | •Rocker Arm       |  |                    |
| 8  | VOE1546681  | 6  | 6  |  |  |  |    |  | •Bushing          |  |                    |
|    | VOE1546046  | 6  | 6  |  |  |  |    |  | •Bushing          |  | See footnote 2624) |
| 9  | VOE1546458  | 6  | 6  |  |  |  |    |  | •Ball stud        |  |                    |
| 10 | VOE13946911 | 6  | 6  |  |  |  |    |  | •Nut              |  |                    |
| 11 | VOE21054149 | 6  | 6  |  |  |  |    |  | •Ball socket      |  |                    |
| 12 | VOE21054152 | 6  | 6  |  |  |  | NS |  | ••Ball Socket     |  |                    |
| 13 | VOE944364   | 6  | 6  |  |  |  |    |  | ••O-ring          |  |                    |
| 14 | VOE21023450 | 6  |    |  |  |  |    |  | Rocker arm        |  | INJECTOR           |
| 14 | VOE21089229 |    | 6  |  |  |  |    |  | Rocker arm        |  |                    |
| 14 | VOE20381704 | 6  | 6  |  |  |  | OP |  | •Rocker arm       |  |                    |
| 15 | VOE3155127  | 6  |    |  |  |  | SS |  | •Bushing          |  |                    |
|    | VOE1546685  | 6  |    |  |  |  |    |  | •Bushing          |  | See footnote 2624) |
| 15 | VOE51081469 |    | 6  |  |  |  | NS |  | •Bushing          |  |                    |
| 16 | VOE1546775  | 6  | 6  |  |  |  |    |  | •Ball stud        |  |                    |
| 17 | VOE1677396  | 6  | 6  |  |  |  |    |  | •Hexagon nut      |  |                    |
| 18 | VOE3964817  | 12 | 12 |  |  |  |    |  | •Jet              |  |                    |
| 19 |             | 6  | 6  |  |  |  |    |  | Rocker Arm        |  | See ref 214/150    |
| 20 | VOE3183207  | 12 | 12 |  |  |  |    |  | Valve cap         |  |                    |
| 21 |             | 24 | 24 |  |  |  |    |  | Valve spring      |  | See ref 211/100    |

2624) Not Shown

|                           |                             |                                  |                                     |
|---------------------------|-----------------------------|----------------------------------|-------------------------------------|
| Date:<br><b>2014/3/11</b> | Image id:<br><b>1018621</b> | Catalogue:<br><b>20111</b>       | Model:<br><b>L220F</b>              |
| Brand:<br><b>Volvo</b>    | Serial:<br><b>6005-8485</b> | Group/Section:<br><b>214/150</b> | Title:<br><b>Rocker arm EXHAUST</b> |



Volvo Construction  
Equipment  
1018621

| Section option | Kit | Option description |
|----------------|-----|--------------------|
| VOE8188741     |     | Engine D12DLBE3    |
| VOE8188743     |     | Engine D12D-B      |
| VOE8188765     |     | Engine D12D-K      |
| VOE8188771     |     | Engine D12D-L      |

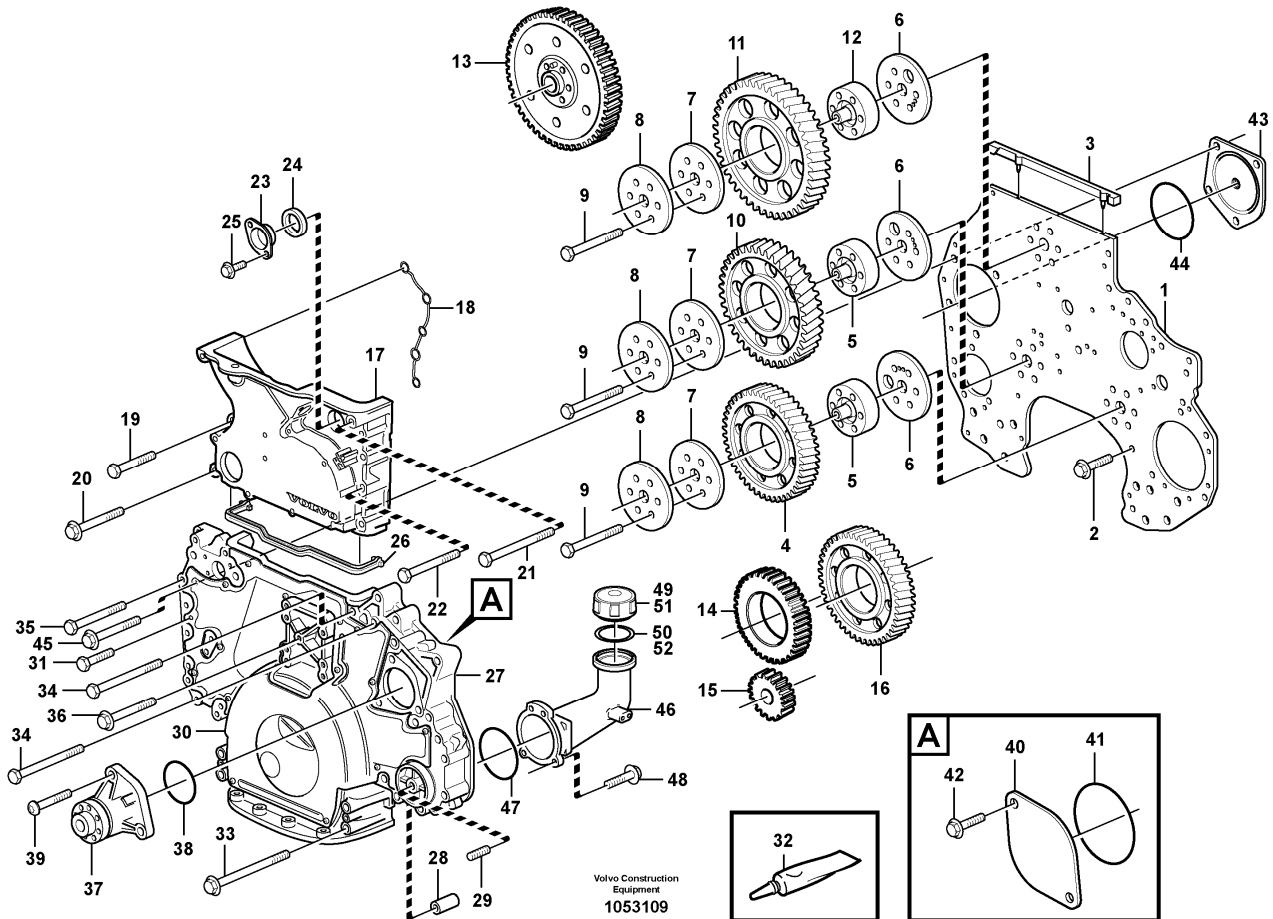
| Q1-Q5           | Option | Option description |  |
|-----------------|--------|--------------------|--|
| Q1 ENG - 646559 |        |                    |  |
| Q2 ENG 646560 - |        |                    |  |

| Pos | Part        | Q1 | Q2 | Q3 | Q4 | Q5 | PS | Kit | Description | Option(s) | Remark |
|-----|-------------|----|----|----|----|----|----|-----|-------------|-----------|--------|
|     | VOE20941606 | 1  |    |    |    |    | SS |     | Rocker arm  |           |        |
|     | VOE21243114 |    | 1  |    |    |    |    |     | Rocker arm  |           |        |
| 1   | VOE20526262 | 1  |    |    |    |    | OP |     | •Rocker arm |           |        |
| 1   | VOE21243110 |    | 1  |    |    |    | NS |     | •Rocker Arm |           |        |
| 2   | VOE1546458  | 1  | 1  |    |    |    |    |     | •Ball stud  |           |        |

|    |             |   |   |  |  |  |    |  |              |  |                    |
|----|-------------|---|---|--|--|--|----|--|--------------|--|--------------------|
| 3  | VOE13946911 | 1 | 1 |  |  |  |    |  | •Nut         |  |                    |
| 4  | VOE20441753 | 1 |   |  |  |  |    |  | •Ball socket |  |                    |
| 4  | VOE21054149 |   | 1 |  |  |  |    |  | •Ball socket |  |                    |
| 5  | VOE944364   | 1 | 1 |  |  |  |    |  | ••O-ring     |  |                    |
| 6  | VOE20525325 | 1 |   |  |  |  | OP |  | •Rocker arm  |  |                    |
| 6  | VOE21084235 |   | 1 |  |  |  | NS |  | •Rocker Arm  |  |                    |
| 7  | VOE20524954 | 1 | 1 |  |  |  | OP |  | •Sleeve      |  |                    |
| 8  | VOE20524958 | 1 | 1 |  |  |  |    |  | •Nut         |  |                    |
| 9  | VOE3964817  | 1 |   |  |  |  |    |  | •Jet         |  |                    |
| 10 | VOE20916960 | 1 | 1 |  |  |  |    |  | •Nipple      |  |                    |
|    | VOE21084234 | 1 | 1 |  |  |  |    |  | •Bushing     |  | See footnote 2624) |

2624) Not Shown

|                           |                             |                                  |   |
|---------------------------|-----------------------------|----------------------------------|---|
| Date:<br><b>2014/3/11</b> | Image id:<br><b>1053109</b> | Catalogue:<br><b>20111</b>       | Model:<br><b>L220F</b>                        |
| Brand:<br><b>Volvo</b>    | Serial:<br><b>6005-8485</b> | Group/Section:<br><b>215/100</b> | Title:<br><b>Timing gear casing and gears</b> |



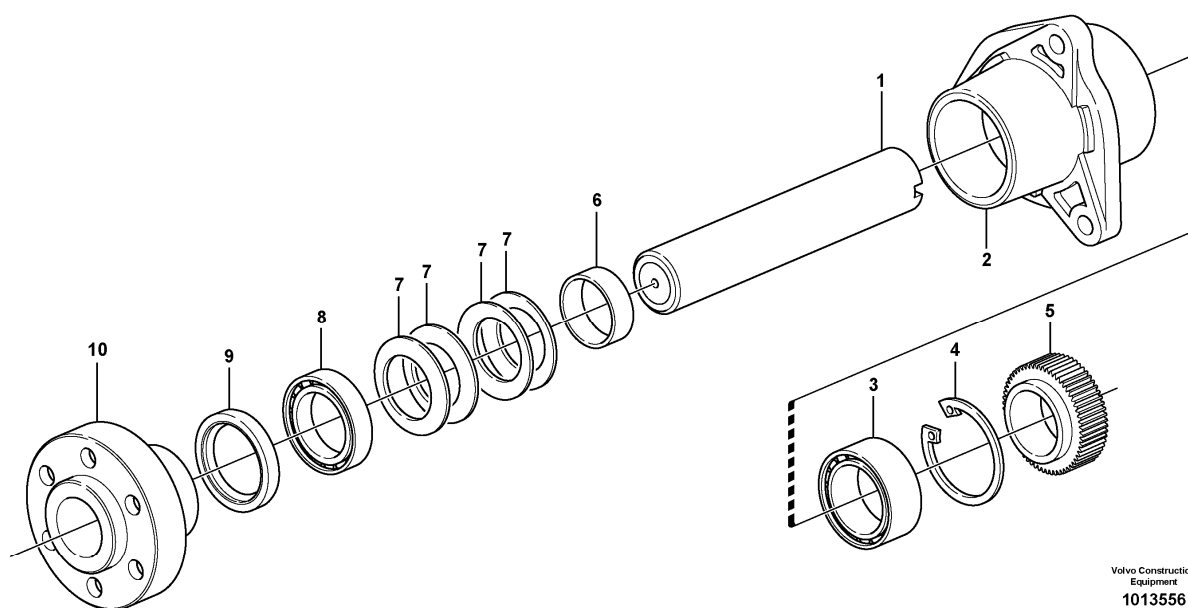
| Section option | Kit | Option description |
|----------------|-----|--------------------|
| VOE8188741     |     | Engine D12DLBE3    |
| VOE8188743     |     | Engine D12D-B      |
| VOE8188765     |     | Engine D12D-K      |
| VOE8188771     |     | Engine D12D-L      |

| Pos | Part        | Q1 | Q2 | Q3 | Q4 | Q5 | PS | Kit | Description    | Option(s) | Remark       |
|-----|-------------|----|----|----|----|----|----|-----|----------------|-----------|--------------|
| 1   | VOE8170561  | 1  |    |    |    |    |    |     | Xmsn Plate     |           |              |
| 2   | VOE946470   | 17 |    |    |    |    |    |     | Flange screw   |           |              |
| 3   | VOE20489341 | 1  |    |    |    |    |    |     | Gasket         |           |              |
| 4   | VOE8170193  | 1  |    |    |    |    |    |     | Idler gear     |           |              |
| 5   | VOE8170219  | 2  |    |    |    |    |    |     | Hub            |           |              |
| 6   | VOE8170220  | 3  |    |    |    |    |    |     | Thrust washer  |           |              |
| 7   | VOE3184865  | 3  |    |    |    |    |    |     | Thrust washer  |           |              |
| 8   | VOE3184868  | 3  |    |    |    |    |    |     | Bearing shield |           |              |
| 9   | VOE1547886  | 18 |    |    |    |    |    |     | Screw          |           | ENG - 650286 |



|    |             |   |  |  |  |  |    |  |                |  |              |
|----|-------------|---|--|--|--|--|----|--|----------------|--|--------------|
| 48 | VOE946473   | 4 |  |  |  |  |    |  | Flange screw   |  |              |
| 49 | VOE11423437 | 1 |  |  |  |  |    |  | Oil filler cap |  | ENG - 625707 |
| 50 |             | 1 |  |  |  |  | NS |  | •Gasket        |  |              |
| 51 | VOE20807510 | 1 |  |  |  |  |    |  | Oil filler cap |  | ENG 625708 - |
| 52 | VOE20365079 | 1 |  |  |  |  |    |  | •Gasket        |  |              |

|                           |                             |                                  |                                 |
|---------------------------|-----------------------------|----------------------------------|---------------------------------|
| Date:<br><b>2014/3/11</b> | Image id:<br><b>1013556</b> | Catalogue:<br><b>20111</b>       | Model:<br><b>L220F</b>          |
| Brand:<br><b>Volvo</b>    | Serial:<br><b>6005-8485</b> | Group/Section:<br><b>215/150</b> | Title:<br><b>Driving device</b> |



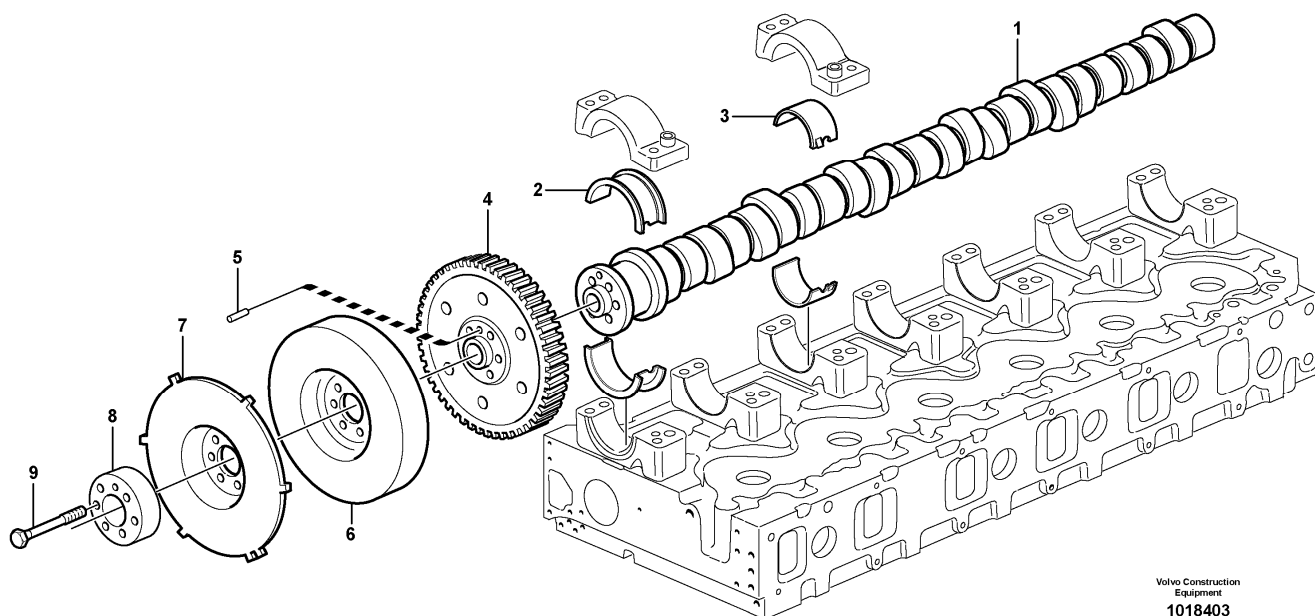
Volvo Construction  
Equipment  
1013556

| Section option | Kit | Option description |
|----------------|-----|--------------------|
| VOE8188741     |     | Engine D12DLBE3    |
| VOE8188743     |     | Engine D12D-B      |
| VOE8188765     |     | Engine D12D-K      |
| VOE8188771     |     | Engine D12D-L      |

| Pos | Part       | Q1 | Q2 | Q3 | Q4 | Q5 | PS | Kit | Description      | Option(s) | Remark |
|-----|------------|----|----|----|----|----|----|-----|------------------|-----------|--------|
|     | VOE8193986 | 1  |    |    |    |    |    |     | Driving device   |           |        |
| 1   | VOE8184821 | 1  |    |    |    |    | NS |     | •Axle            |           |        |
| 2   | VOE8170667 | 1  |    |    |    |    | OP |     | •Bearing housing |           |        |
| 3   | VOE471499  | 1  |    |    |    |    |    |     | •Ball bearing    |           |        |
| 4   | VOE914532  | 1  |    |    |    |    |    |     | •Retaining ring  |           |        |
| 5   | VOE8170240 | 1  |    |    |    |    | OP |     | •Gear            |           |        |
| 6   | VOE8193994 | 1  |    |    |    |    |    |     | •Spacer sleeve   |           |        |
| 7   | VOE1677558 | 4  |    |    |    |    | OP |     | •Disc spring     |           |        |
| 8   | VOE7011013 | 1  |    |    |    |    |    |     | •Bearing         |           |        |

|    |            |   |  |  |  |  |    |  |               |  |  |
|----|------------|---|--|--|--|--|----|--|---------------|--|--|
| 9  | VOE1546480 | 1 |  |  |  |  |    |  | •Sealing ring |  |  |
| 10 | VOE1547846 | 1 |  |  |  |  | OP |  | •Hub          |  |  |

|                           |                             |                                  |                           |
|---------------------------|-----------------------------|----------------------------------|---------------------------|
| Date:<br><b>2014/3/11</b> | Image id:<br><b>1018403</b> | Catalogue:<br><b>20111</b>       | Model:<br><b>L220F</b>    |
| Brand:<br><b>Volvo</b>    | Serial:<br><b>6005-8485</b> | Group/Section:<br><b>215/200</b> | Title:<br><b>Camshaft</b> |



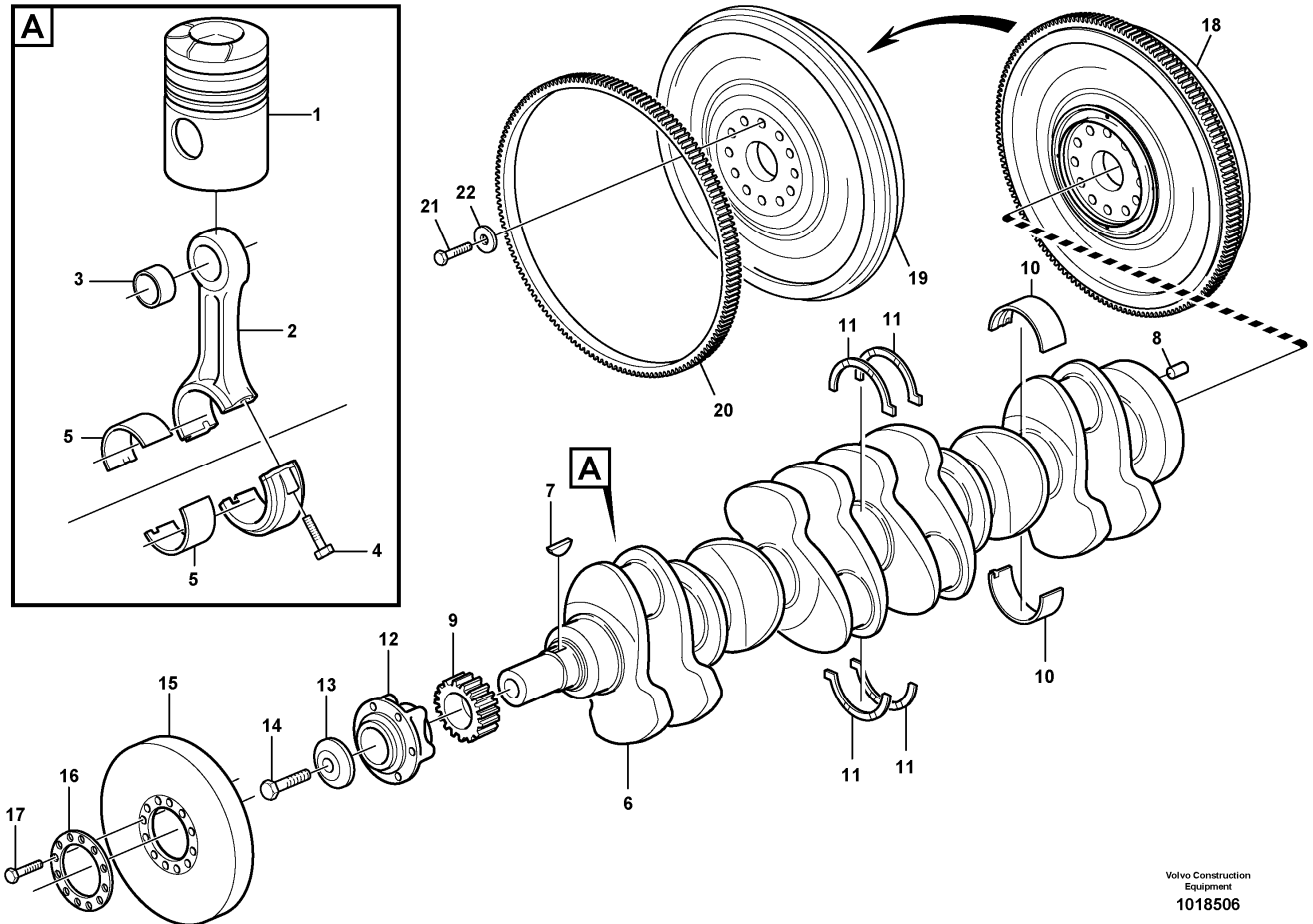
Volvo Construction  
Equipment  
1018403

| Section option | Kit | Option description |
|----------------|-----|--------------------|
| VOE8188741     |     | Engine D12DLBE3    |
| VOE8188743     |     | Engine D12D-B      |
| VOE8188765     |     | Engine D12D-K      |
| VOE8188771     |     | Engine D12D-L      |

| Pos | Part        | Q1 | Q2 | Q3 | Q4 | Q5 | PS | Kit | Description       | Option(s) | Remark    |
|-----|-------------|----|----|----|----|----|----|-----|-------------------|-----------|-----------|
| 1   | VOE20576909 | 1  |    |    |    |    |    |     | Camshaft          |           |           |
| 2   | VOE20503200 | 1  |    |    |    |    |    |     | Bearing shell kit |           | STD       |
|     | VOE20494259 | 2  |    |    |    |    | SS |     | •Bearing Shell    |           |           |
| 3   | VOE276630   | 6  |    |    |    |    |    |     | Bearing shell kit |           | STD       |
|     | VOE1677212  | 12 |    |    |    |    |    |     | •Bearing shell    |           |           |
|     | VOE1677551  | 12 |    |    |    |    |    |     | Bearing shell     |           | 0,25 U SZ |
| 4   | VOE20450344 | 1  |    |    |    |    |    |     | Gear              |           |           |
| 5   | VOE950572   | 1  |    |    |    |    |    |     | •Grooving tool    |           |           |
| 6   | VOE8170954  | 1  |    |    |    |    |    |     | Vibration damper  |           |           |

|   |             |   |  |  |  |  |  |  |              |  |              |
|---|-------------|---|--|--|--|--|--|--|--------------|--|--------------|
| 7 | VOE3155166  | 1 |  |  |  |  |  |  | Tooth Wheel  |  |              |
| 8 | VOE20440991 | 1 |  |  |  |  |  |  | Spacer       |  |              |
| 9 | VOE20441079 | 6 |  |  |  |  |  |  | Flange screw |  | ENG - 652109 |
|   | VOE21344765 | 6 |  |  |  |  |  |  | Flange screw |  | ENG 652110 - |

|                           |                             |                                  |   |
|---------------------------|-----------------------------|----------------------------------|---|
| Date:<br><b>2014/3/11</b> | Image id:<br><b>1018506</b> | Catalogue:<br><b>20111</b>       | Model:<br><b>L220F</b>                        |
| Brand:<br><b>Volvo</b>    | Serial:<br><b>6005-8485</b> | Group/Section:<br><b>216/100</b> | Title:<br><b>Crankshaft and related parts</b> |



Volvo Construction  
Equipment  
1018506

| Section option | Kit | Option description |
|----------------|-----|--------------------|
| VOE8188741     |     | Engine D12DLBE3    |
| VOE8188743     |     | Engine D12D-B      |
| VOE8188765     |     | Engine D12D-K      |
| VOE8188771     |     | Engine D12D-L      |

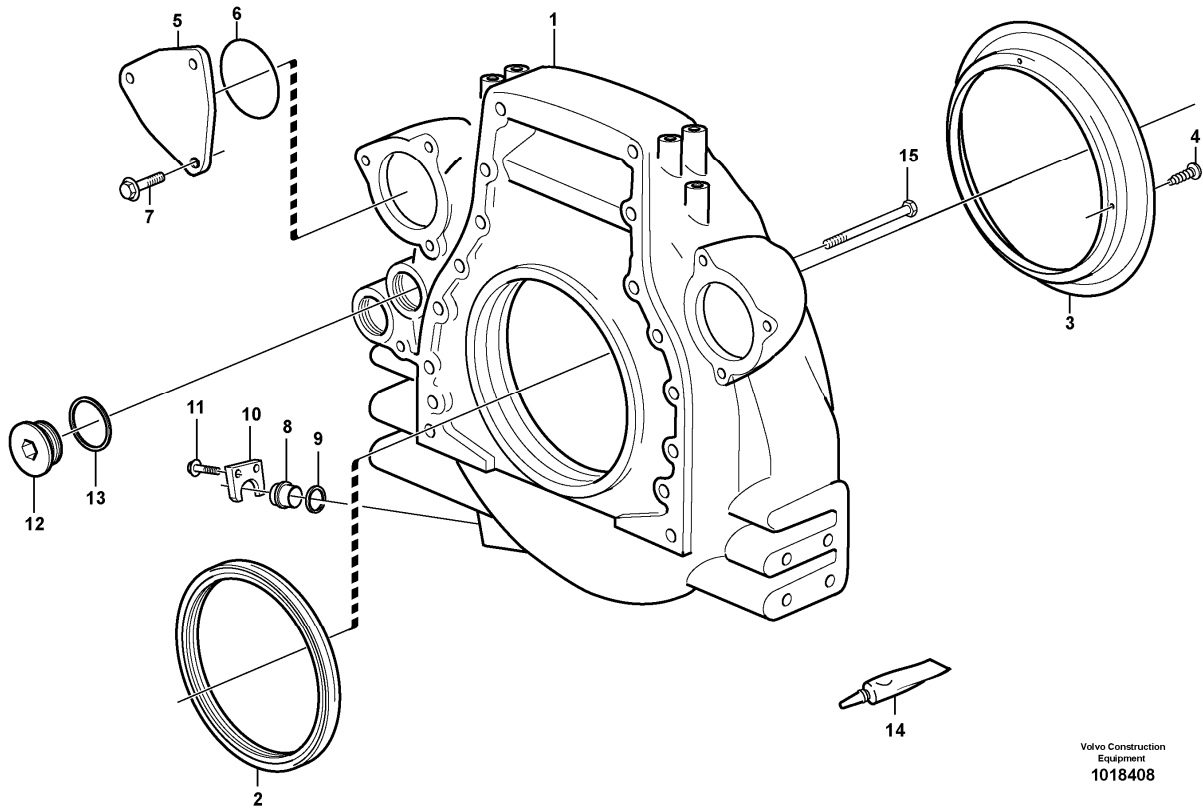
| Q1-Q5      | Option     | Option description |  |
|------------|------------|--------------------|--|
| Q1 8188741 | VOE8188741 | Engine D12DLBE3    |  |
| Q2 8188743 | VOE8188743 | Engine D12D-B      |  |
| Q3 8188771 | VOE8188771 | Engine D12D-L      |  |
| Q4 8188765 | VOE8188765 | Engine D12D-K      |  |

| Pos | Part        | Q1 | Q2 | Q3 | Q4 | Q5 | PS | Kit | Description     | Option(s) | Remark          |
|-----|-------------|----|----|----|----|----|----|-----|-----------------|-----------|-----------------|
| 1   |             | 6  | 6  | 6  | 6  |    |    |     | Piston          |           | See ref 213/100 |
|     | VOE20412200 | 6  | 6  | 6  | 6  |    |    |     | Connecting rod  |           |                 |
| 2   | VOE20412201 | 6  | 6  | 6  | 6  |    | NS |     | •Connecting rod |           |                 |

|    |             |     |     |     |     |  |    |  |                   |  |                  |
|----|-------------|-----|-----|-----|-----|--|----|--|-------------------|--|------------------|
| 3  | VOE20381185 | 6   | 6   | 6   | 6   |  |    |  | •Bushing          |  |                  |
| 4  | VOE1543035  | 12  | 12  | 12  | 12  |  |    |  | •Screw            |  |                  |
| 5  | VOE276134   | REQ | REQ | REQ | REQ |  |    |  | Big End Brg Kit   |  | STD              |
|    | VOE276135   | REQ | REQ | REQ | REQ |  |    |  | Big End Brg Kit   |  | 0,25 MM U SZ     |
|    | VOE276136   | REQ | REQ | REQ | REQ |  |    |  | Big End Brg Kit   |  | 0,50 MM U SZ     |
|    | VOE276137   | REQ | REQ | REQ | REQ |  |    |  | Big End Brg Kit   |  | 0,75 MM U SZ     |
|    | VOE276334   | REQ | REQ | REQ | REQ |  |    |  | Big End Brg Kit   |  | 1,00 MM U SZ     |
|    | VOE276349   | REQ | REQ | REQ | REQ |  |    |  | Big End Brg Kit   |  | 1,25 MM U SZ     |
|    | VOE20533089 | 1   | 1   | 1   | 1   |  |    |  | Crankshaft        |  | See footnote 1)  |
| 6  |             | 1   | 1   | 1   | 1   |  | NS |  | ••Crankshaft      |  |                  |
| 7  | VOE422253   | 1   | 1   | 1   | 1   |  |    |  | ••Key             |  |                  |
| 8  | VOE950644   | 1   | 1   | 1   | 1   |  |    |  | ••Pin             |  |                  |
| 9  | VOE8170192  | 1   | 1   | 1   | 1   |  |    |  | Gear              |  |                  |
| 10 | VOE20530916 | 7   | 7   | 7   | 7   |  |    |  | Mn Bearing Kit    |  | STD              |
|    | VOE20578624 | 7   | 7   | 7   | 7   |  |    |  | Main Bearing      |  | 0,25 MM U SZ     |
|    | VOE20578625 | 7   | 7   | 7   | 7   |  |    |  | Main Bearing      |  | 0,50 MM U SZ     |
|    | VOE20578626 | 7   | 7   | 7   | 7   |  | OP |  | Main Bearing      |  | 0,75 MM U SZ     |
|    | VOE20578627 | 7   | 7   | 7   | 7   |  |    |  | Main Bearing      |  | 1,00 MM U SZ     |
|    | VOE20578628 | 7   | 7   | 7   | 7   |  |    |  | Main Bearing      |  | 1,25 MM U SZ     |
| 11 | VOE3093651  | 1   | 1   |     |     |  |    |  | Thrust washer kit |  | STD              |
|    | VOE3093651  |     |     | 1   |     |  |    |  | Thrust washer kit |  | STD ENG - 648064 |
|    | VOE21267844 |     |     | 1   | 1   |  |    |  | Thrust washer     |  | STD ENG 648065 - |
|    | VOE3093652  | 1   | 1   | 1   |     |  |    |  | Thrust washer kit |  | 0,1 MM U SZ      |
|    | VOE3093653  | 1   | 1   | 1   |     |  |    |  | Thrust washer kit |  | 0,2 MM U SZ      |
|    | VOE3093654  | 1   | 1   | 1   |     |  |    |  | Thrust washer kit |  | 0,3 MM U SZ      |
| 12 | VOE11707317 | 1   | 1   | 1   | 1   |  |    |  | Hub               |  | (VOE1549407)     |
| 13 | VOE422124   | 1   | 1   | 1   | 1   |  |    |  | Washer            |  |                  |
| 14 | VOE1543316  | 1   | 1   | 1   | 1   |  |    |  | Screw             |  | ENG - 658024     |
| 14 | VOE21344750 |     |     | 1   | 1   |  |    |  | Screw             |  | ENG 658025 -     |
| 15 | VOE8193930  | 1   | 1   | 1   | 1   |  |    |  | Vibration damper  |  |                  |
| 16 | VOE8193962  | 1   | 1   | 1   | 1   |  |    |  | Washer            |  |                  |
| 17 | VOE13970950 | 12  | 12  | 12  | 12  |  |    |  | Hexagon screw     |  |                  |
| 18 | VOE11127560 | 1   | 1   | 1   |     |  |    |  | Flywheel          |  |                  |
| 18 | VOE15091261 |     |     |     | 1   |  |    |  | Flywheel          |  |                  |
| 19 | VOE11127559 | 1   | 1   | 1   |     |  | NS |  | •Flywheel         |  |                  |
| 20 | VOE20711957 | 1   | 1   | 1   |     |  |    |  | •Ring gear        |  |                  |
| 21 | VOE1677893  | 14  | 14  | 14  | 14  |  |    |  | Screw             |  |                  |
| 22 | VOE1543563  | 14  | 14  | 14  | 14  |  |    |  | Washer            |  |                  |

1) Replacement version

|                           |                             |                                  |                                   |
|---------------------------|-----------------------------|----------------------------------|-----------------------------------|
| Date:<br><b>2014/3/11</b> | Image id:<br><b>1018408</b> | Catalogue:<br><b>20111</b>       | Model:<br><b>L220F</b>            |
| Brand:<br><b>Volvo</b>    | Serial:<br><b>6005-8485</b> | Group/Section:<br><b>216/150</b> | Title:<br><b>Flywheel housing</b> |



Volvo Construction  
Equipment  
1018408

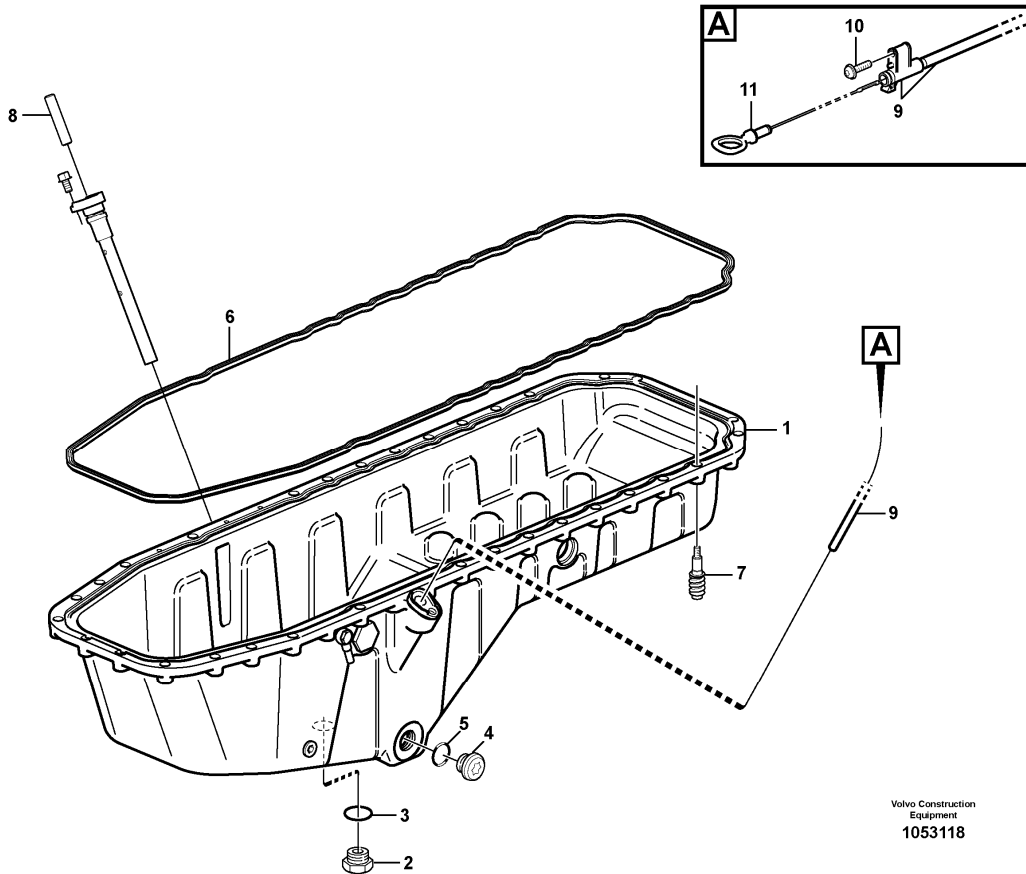
| Section option | Kit | Option description |
|----------------|-----|--------------------|
| VOE8188741     |     | Engine D12DLBE3    |
| VOE8188743     |     | Engine D12D-B      |
| VOE8188765     |     | Engine D12D-K      |
| VOE8188771     |     | Engine D12D-L      |

| Q1-Q5      | Option     | Option description |  |
|------------|------------|--------------------|--|
| Q1 8188741 | VOE8188741 | Engine D12DLBE3    |  |
| Q2 8188743 | VOE8188743 | Engine D12D-B      |  |
| Q3 8188771 | VOE8188771 | Engine D12D-L      |  |
| Q4 8188765 | VOE8188765 | Engine D12D-K      |  |

| Pos | Part        | Q1 | Q2 | Q3 | Q4 | Q5 | PS | Kit | Description       | Option(s) | Remark |
|-----|-------------|----|----|----|----|----|----|-----|-------------------|-----------|--------|
|     | VOE11030273 | 1  | 1  | 1  |    |    |    |     | Flywheel housing  |           |        |
|     | VOE15020693 |    |    |    | 1  |    |    |     | Flywheel housing  |           |        |
| 1   | VOE11030245 | 1  | 1  | 1  |    |    | OP |     | •Flywheel housing |           |        |

|    |             |     |     |     |     |  |    |  |                     |  |            |
|----|-------------|-----|-----|-----|-----|--|----|--|---------------------|--|------------|
|    | VOE11030245 |     |     |     | 1   |  | OP |  | •Flywheel housing   |  |            |
| 2  | VOE1543896  | 1   | 1   | 1   | 1   |  |    |  | •Sealing ring       |  |            |
| 3  | VOE11030271 | 1   | 1   | 1   |     |  |    |  | •Oil deflector ring |  |            |
|    | VOE15004855 |     |     |     | 1   |  |    |  | •Oil deflector ring |  |            |
| 4  | VOE13905650 | 4   | 4   | 4   | 4   |  |    |  | •Drive screw        |  |            |
| 5  | VOE11128928 | 1   | 1   | 1   | 1   |  |    |  | Cover               |  |            |
| 6  |             | 1   | 1   | 1   | 1   |  | NS |  | Gasket              |  |            |
| 7  | VOE946502   | 3   | 3   | 3   | 3   |  |    |  | Flange screw        |  |            |
| 8  | VOE11031785 | 1   | 1   | 1   | 1   |  |    |  | Plug                |  |            |
| 9  | VOE421158   | 1   | 1   | 1   | 1   |  |    |  | Sealing ring        |  |            |
| 10 | VOE11031769 | 1   | 1   | 1   | 1   |  |    |  | Lock washer         |  |            |
| 11 | VOE13966378 | 2   | 2   | 2   | 2   |  |    |  | Flange screw        |  |            |
| 12 | VOE15134976 | 2   | 2   | 2   | 2   |  |    |  | Plug                |  |            |
| 13 | VOE1556907  | 2   | 2   | 2   | 2   |  |    |  | Gasket              |  |            |
| 14 | VOE1161277  | REQ | REQ | REQ | REQ |  |    |  | Sealant             |  | 20 GRAM    |
|    | VOE11713514 | REQ | REQ | REQ | REQ |  |    |  | Sealant             |  |            |
| 15 | VOE13966364 | 8   | 8   | 8   | 8   |  |    |  | Flange screw        |  | L = 70 MM  |
|    | VOE13966366 | 2   | 2   | 2   | 2   |  |    |  | Flange screw        |  | L = 90 MM  |
|    | VOE13966371 | 2   | 2   | 2   | 2   |  |    |  | Flange screw        |  | L = 140 MM |

|                           |                             |                                  |   |
|---------------------------|-----------------------------|----------------------------------|---|
| Date:<br><b>2014/3/11</b> | Image id:<br><b>1053118</b> | Catalogue:<br><b>20111</b>       | Model:<br><b>L220F</b>                                    |
| Brand:<br><b>Volvo</b>    | Serial:<br><b>6005-8485</b> | Group/Section:<br><b>217/100</b> | Title:<br><b>Oil sump / oil dipstick 8188741, 8188743</b> |



| Section option | Kit | Option description |
|----------------|-----|--------------------|
| VOE8188741     |     | Engine D12DLBE3    |
| VOE8188743     |     | Engine D12D-B      |

| Pos | Part        | Q1 | Q2 | Q3 | Q4 | Q5 | PS | Kit | Description      | Option(s) | Remark          |
|-----|-------------|----|----|----|----|----|----|-----|------------------|-----------|-----------------|
| 1   |             | 1  |    |    |    |    |    |     | Oil Pan          |           | See ref 217/200 |
| 2   | VOE11127354 | 1  |    |    |    |    |    |     | Plug             |           |                 |
| 3   | VOE13948610 | 1  |    |    |    |    |    |     | O-ring           |           |                 |
| 4   | VOE11127354 | 1  |    |    |    |    |    |     | Plug             |           |                 |
| 5   | VOE13948610 | 1  |    |    |    |    |    |     | O-ring           |           |                 |
| 6   | VOE20532272 | 1  |    |    |    |    |    |     | Sealing strip    |           |                 |
| 7   | VOE20538726 | 30 |    |    |    |    |    |     | Flange screw     |           |                 |
| 8   | VOE20533484 | 1  |    |    |    |    |    |     | Plug             |           |                 |
| 9   | VOE11423483 | 1  |    |    |    |    |    |     | Oil dipstick     |           |                 |
|     | VOE944124   | 1  |    |    |    |    |    |     | •O-ring          |           |                 |
| 10  | VOE975371   | 1  |    |    |    |    |    |     | Six point socket |           |                 |





**Suggest:**

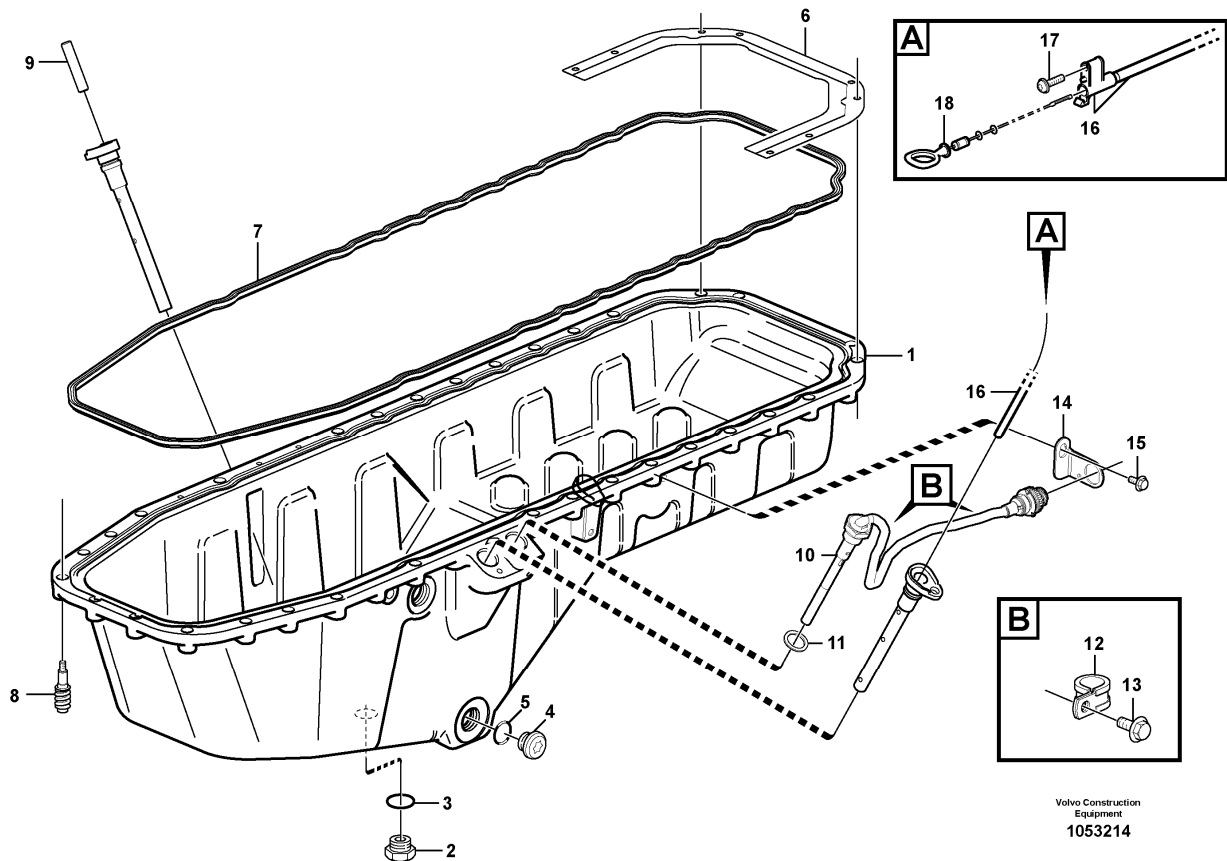
**For more complete manuals. Please go to the home page.**

**<https://www.ebooklibonline.com>**

**If the above button click is invalid. Please download this document first, and then click the above link to download the complete manual.**

**Thank you so much for reading**

|                           |                             |                                  |   |
|---------------------------|-----------------------------|----------------------------------|---|
| Date:<br><b>2014/3/11</b> | Image id:<br><b>1053214</b> | Catalogue:<br><b>20111</b>       | Model:<br><b>L220F</b>                                    |
| Brand:<br><b>Volvo</b>    | Serial:<br><b>6005-8485</b> | Group/Section:<br><b>217/150</b> | Title:<br><b>Oil sump / oil dipstick 8188771, 8188765</b> |



Volvo Construction  
Equipment  
1053214

| Section option | Kit | Option description |
|----------------|-----|--------------------|
| VOE8188765     |     | Engine D12D-K      |
| VOE8188771     |     | Engine D12D-L      |

| Q1-Q5      | Option     | Option description |  |
|------------|------------|--------------------|--|
| Q1 8188771 | VOE8188771 | Engine D12D-L      |  |
| Q2 8188765 | VOE8188765 | Engine D12D-K      |  |

| Pos | Part        | Q1 | Q2 | Q3 | Q4 | Q5 | PS | Kit | Description   | Option(s) | Remark          |
|-----|-------------|----|----|----|----|----|----|-----|---------------|-----------|-----------------|
| 1   |             | 1  |    |    |    |    |    |     | Oil Pan       |           | See ref 217/200 |
| 1   |             | 1  | 1  |    |    |    |    |     | Oil Pan       |           | See ref 217/250 |
| 2   | VOE11127354 | 1  | 1  |    |    |    |    |     | Plug          |           |                 |
| 3   | VOE13948610 | 1  | 1  |    |    |    |    |     | O-ring        |           |                 |
| 4   | VOE11127354 | 1  | 1  |    |    |    |    |     | Plug          |           |                 |
| 5   | VOE13948610 | 1  | 1  |    |    |    |    |     | O-ring        |           |                 |
| 6   | VOE15122204 | 1  | 1  |    |    |    |    |     | Sealing plate |           |                 |

|    |             |    |    |  |  |  |  |  |                        |  |                |
|----|-------------|----|----|--|--|--|--|--|------------------------|--|----------------|
| 7  | VOE20532272 | 1  | 1  |  |  |  |  |  | Sealing strip          |  |                |
| 8  | VOE20538726 | 30 |    |  |  |  |  |  | Flange screw           |  |                |
| 8  | VOE20739547 |    | 30 |  |  |  |  |  | Flange screw           |  |                |
| 9  | VOE20533484 | 1  | 1  |  |  |  |  |  | Plug                   |  |                |
| 10 | VOE11423761 | 1  | 1  |  |  |  |  |  | Oil level sensor       |  | SE2202, SE2205 |
| 11 | VOE949329   | 1  | 1  |  |  |  |  |  | Gasket                 |  |                |
| 12 | VOE949746   | 2  | 2  |  |  |  |  |  | Clamp                  |  |                |
| 13 | VOE947107   | 2  | 2  |  |  |  |  |  | Flange screw           |  |                |
| 14 | VOE3988328  | 1  | 1  |  |  |  |  |  | Bracket                |  |                |
| 15 | VOE947107   | 1  | 1  |  |  |  |  |  | Flange screw           |  |                |
| 16 | VOE11423483 | 1  | 1  |  |  |  |  |  | Oil dipstick           |  |                |
|    | VOE944124   | 1  | 1  |  |  |  |  |  | •O-ring                |  |                |
| 17 | VOE975371   | 1  | 1  |  |  |  |  |  | Six point socket screw |  |                |
| 18 | VOE11423480 | 1  | 1  |  |  |  |  |  | Oil dipstick           |  |                |

**<https://www.ebooklibonline.com>**

Hello dear friend!

Thank you very much for reading.

Enter the link into your browser.

The full manual is available for immediate download.

**<https://www.ebooklibonline.com>**