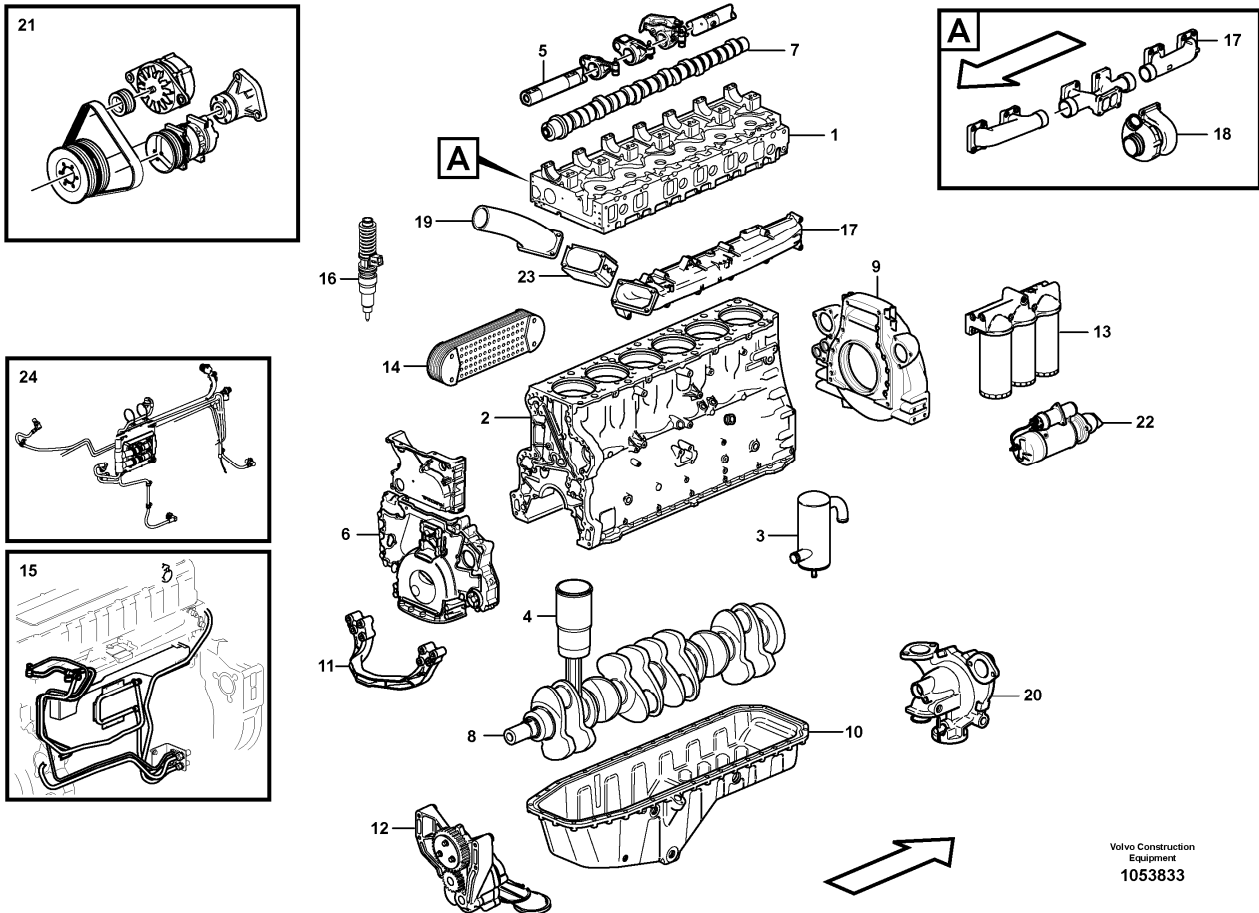


Date: 2014/3/12	Image id: 1053833	Catalogue: 20110	Model: L180F HL
Brand: Volvo	Serial: 11004-15577	Group/Section: 210/150	Title: Engine



Volvo Construction
Equipment
1053833

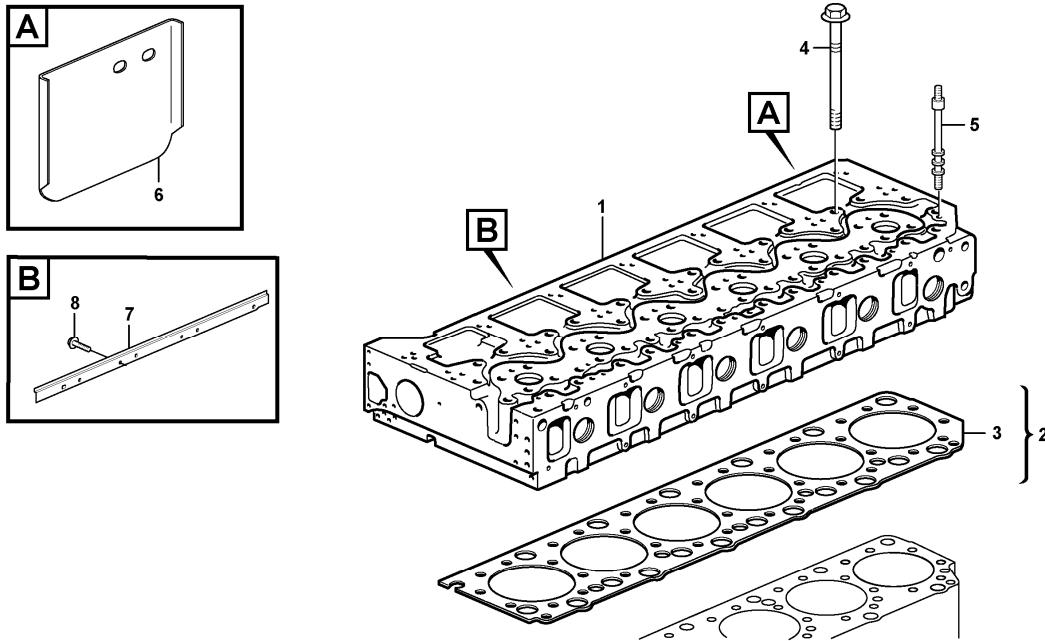
Section option	Kit	Option description
VOE8188740		Engine D12DLAE3
VOE8188743		Engine D12D-B
VOE8188765		Engine D12D-K
VOE8188771		Engine D12D-L
VOE85086		Transmission
VOE85087		Transmission L180F / L180F HL, LOCK UP

Q1-Q5	Option	Option description	
Q1 8188740	VOE8188740	Engine D12DLAE3	
Q2 8188743	VOE8188743	Engine D12D-B	
Q3 8188771	VOE8188771	Engine D12D-L	
Q4 8188765	VOE8188765	Engine D12D-K	

Pos	Part	Q1	Q2	Q3	Q4	Q5	PS	Kit	Description	Option(s)	Remark
	VOE8188740	1					SS		Engine		S/N - 11269

										D12DLAE3	
	VOE8188743		1						Engine		S/N 11270 - 11726 D12D-B
	VOE8188771			1					Engine		S/N 11727 - 12568 D12D-L
	VOE8188771			1					Engine	VOE85086	S/N 12569 - D12D-L
	VOE8188765				1				Engine	VOE85087	. D12D-K
1		1	1	1	1				•Cylinder head		See ref 211/100
2		1	1	1	1				•Cylinder block		See ref 212/100
3		1	1	1	1				•Crankcase Venti		See ref 212/200
4		6	6	6	6				•Cylinder liner,piston		See ref 213/100
5		1	1	1	1				•Valve mechanism		See ref 214/100
6		1	1	1	1				•Timing gear casing		See ref 215/100
7		1	1	1	1				•Camshaft		See ref 215/200
8		1	1	1	1				•Crankshaft		See ref 216/100
9		1	1	1	1				•Flywheel Hsg		See ref 216/150
10		1	1						•Oil sump		See ref 217/100
10				1	1				•Oil sump		See ref 217/150
11		1	1	1	1				•Engine mounting		See ref 218/100
12		1	1	1	1				•Lubricating system		See ref 221/100
13		1	1	1	1				•Oil filter		See ref 222/100
14		1	1	1	1				•Oil cooler		See ref 223/100
15		1	1	1	1				•Fuel system		See ref 235/200
16		1	1	1	1				•Injector		See ref 237/100
17		1	1	1	1				•Inlet, exhaust syst.		See ref 251/100
18		1	1	1	1				•Turbocharger		See ref 255/100
19		1	1	1	1				•Charge air cooler		See ref 258/100
20		1	1	1	1				•Thermostat Housing		See ref 262/100
21		1	1	1	1				•Belt transmission		See ref 263/400
22		1	1	1	1				•Starter Motor		See ref 331/100
23		1	1	1	1				•Starter Element		See ref 333/100
24		1	1	1	1				•Cable harness		See ref 371/300

Date: 2014/3/12	Image id: 1053110	Catalogue: 20110	Model: L180F HL
Brand: Volvo	Serial: 11004-15577	Group/Section: 211/100	Title: Cylinder head with fitting parts



Volvo Construction
Equipment
1053110

Section option	Kit	Option description
VOE8188740		Engine D12DLAE3
VOE8188743		Engine D12D-B
VOE8188765		Engine D12D-K
VOE8188771		Engine D12D-L

Pos	Part	Q1	Q2	Q3	Q4	Q5	PS	Kit	Description	Option(s)	Remark
1		1							Cylinder head		E PROD See ref 211/150 L PROD See ref 211/200
2	VOE3099100	1							Gasket kit		
3	VOE20412953	1							•Gasket		
4	VOE1547419	38							Screw		ENG - 649456
	VOE21345131	38							Screw		ENG 649457 -
5	VOE8148863	9							Stud		ENG - 651827

<https://www.ebooklibonline.com>

Hello dear friend!

Thank you very much for reading.

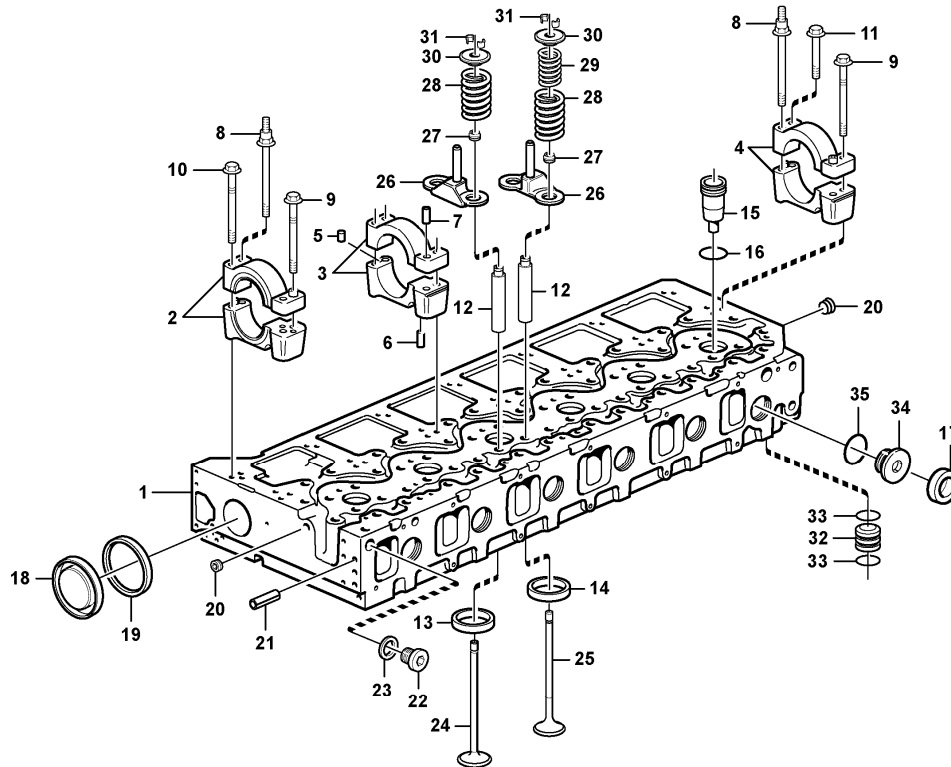
Enter the link into your browser.

The full manual is available for immediate download.

<https://www.ebooklibonline.com>

	VOE21344784	9							Stud		ENG 651828 -
6	VOE11127534	1							Bracket		ENG - 620728
7	VOE20566300	1					OP		Heat shield		
8	VOE946441	3							Flange screw		L = 20 MM

Date: 2014/3/12	Image id: 1035442	Catalogue: 20110	Model: L180F HL
Brand: Volvo	Serial: 11004-15577	Group/Section: 211/150	Title: Cylinder head E PROD



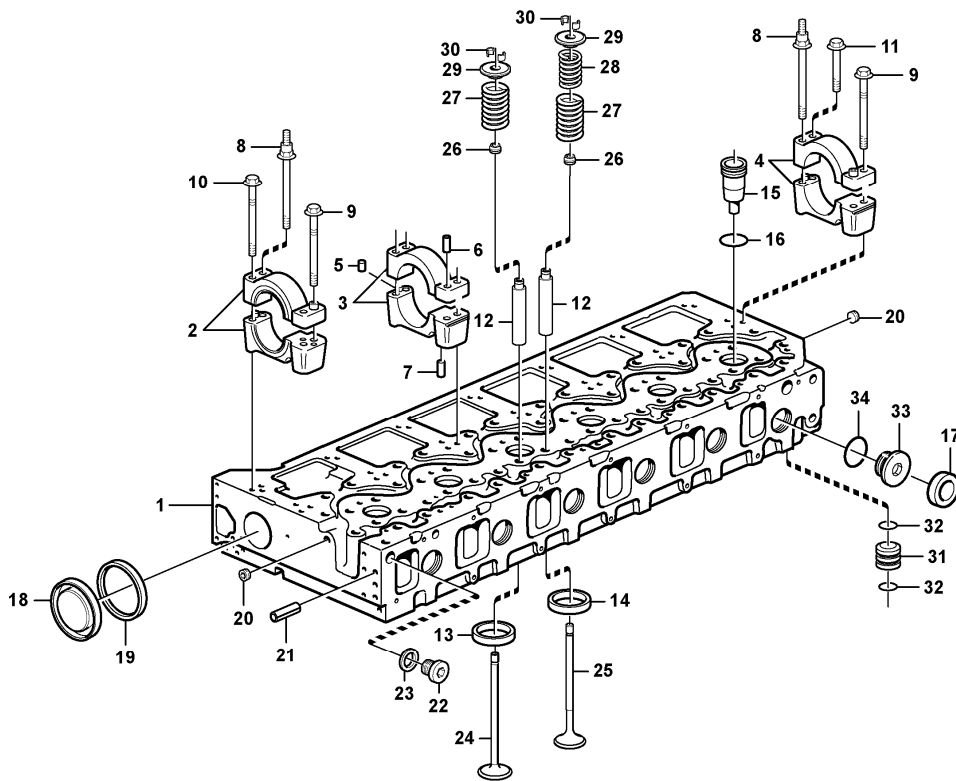
Volvo Construction
Equipment
1035442

Section option	Kit	Option description
VOE8188740		Engine D12DLAE3
VOE8188743		Engine D12D-B
VOE8188765		Engine D12D-K
VOE8188771		Engine D12D-L

Pos	Part	Q1	Q2	Q3	Q4	Q5	PS	Kit	Description	Option(s)	Remark
	VOE20560799	1					SS		Cylinder head		
	VOE24426421	1					SE		•Cylinder head		
1	VOE20478371	1					OP		••Cylinder head		
2	VOE3165130	1							••Bearing housing		
3	VOE3165133	5							••Bearing housing		
4	VOE3165136	1							••Bearing housing		
5	VOE950542	7							•••Pin		
6	VOE1677189	7					NS		•••Sleeve		
7	VOE950562	14							••Pin		

8	VOE21344812	7							••Stud		
9	VOE21344776	14							••Screw		L = 127 mm
10	VOE21344752	1							••Screw		
11	VOE1677283	6							••Screw		
12	VOE20817648	24							••Valve guide		(VOE20460636)
13	VOE20459329	12							••Valve seat		INLET
14	VOE20412798	12							••Valve seat		EXHAUST
15	VOE3183368	6							••Sleeve		
16	VOE20536487	6							••O-ring		
17	VOE8131707	11							••Cap plug		
18	VOE8170553	1							••Cap plug		
19	VOE1544710	1							•Sealing ring		
20	VOE13968062	2							•Plug		
21	VOE422426	1							•Pin		
22	VOE20441335	1							•Plug		
23	VOE13947281	1							•Gasket		
24	VOE20459326	12							•Inlet valve		
25	VOE20441486	12							•Exhaust Valve		
26	VOE1677963	6							•Guide pin		
27	VOE859171	24							•Valve seal		
28	VOE21310068	24							•Valve spring		
29	VOE3183211	12							•Valve spring		
30	VOE1546487	24							•Valve spring washer		
31	VOE1677875	48							•Valve sleeve		
32	VOE20463179	1							•Adapter		
33	VOE13949721	2							•O-ring		
	VOE3165025	1					NS		•Plug		
34	VOE3155171	1							••Plug		
35	VOE949659	2							••O-ring		

Date: 2014/3/12	Image id: 1031935	Catalogue: 20110	Model: L180F HL
Brand: Volvo	Serial: 11004-15577	Group/Section: 211/200	Title: Cylinder head L PROD



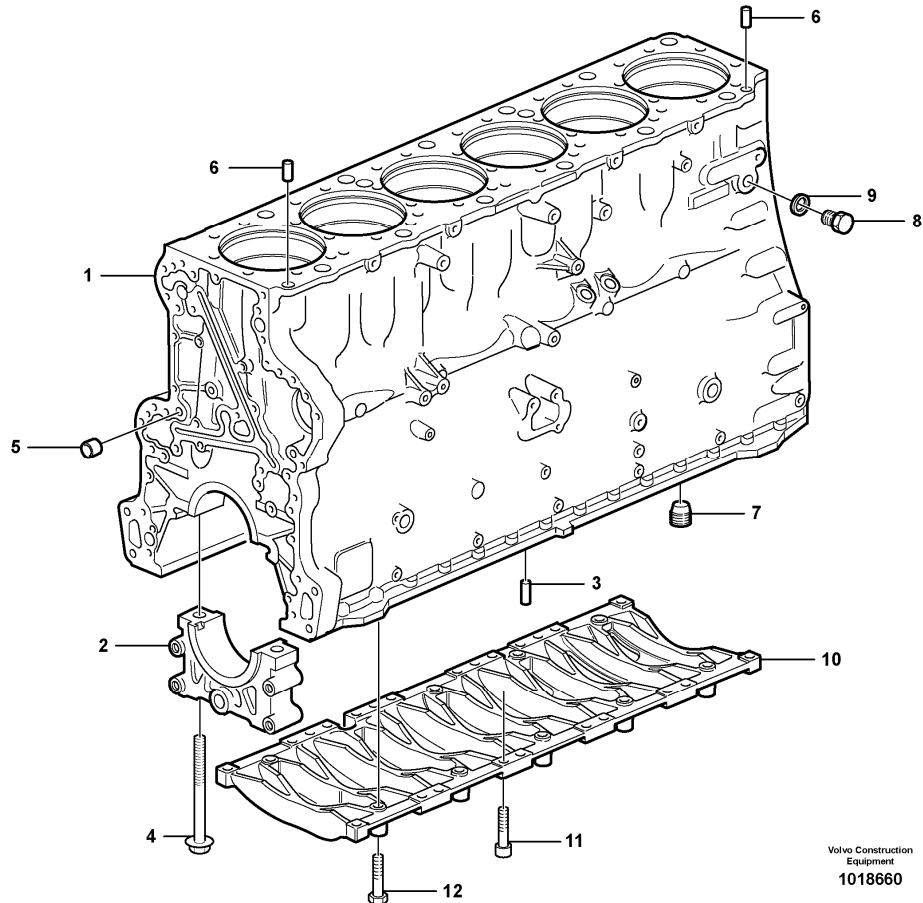
Volvo Construction
Equipment
1031935

Section option	Kit	Option description
VOE8188740		Engine D12DLAE3
VOE8188743		Engine D12D-B
VOE8188765		Engine D12D-K
VOE8188771		Engine D12D-L

Pos	Part	Q1	Q2	Q3	Q4	Q5	PS	Kit	Description	Option(s)	Remark
	VOE21086450	1							Cylinder head		
	VOE24426421	1					SE		•Cylinder head		
1	VOE20478371	1					OP		••Cylinder head		
2	VOE3165130	1							••Bearing housing		
3	VOE3165133	5							••Bearing housing		
4	VOE3165136	1							••Bearing housing		
5	VOE950542	7							•••Pin		
6	VOE1677189	7							•••Sleeve		
7	VOE950562	14							••Pin		

8	VOE21344812	7							••Stud		
9	VOE21344776	14							••Screw		L = 127 mm
10	VOE21344752	1							••Screw		L = 106 MM
11	VOE1677283	6							••Screw		L = 70 MM
12	VOE20817648	24							••Valve guide		
13	VOE20459329	12							••Valve seat		INLET
14	VOE20412798	12							••Valve seat		EXHAUST
15	VOE3183368	6							••Sleeve		
16	VOE20536487	6							••O-ring		
17	VOE8131707	11							••Cap plug		
18	VOE8170553	1							••Cap plug		
19	VOE1544710	1							•Sealing ring		
20	VOE990830	2							•Plug		
21	VOE422426	1							•Pin		
22	VOE20441335	1							•Plug		
23	VOE13947281	1							•Gasket		
24	VOE20459326	12							•Inlet valve		
25	VOE20441486	12							•Exhaust Valve		
26	VOE859171	24							•Valve seal		ENG - 660580
26	VOE21501189	24							•Valve stem seal		ENG 660581 -
27	VOE21310068	24							•Valve spring		
28	VOE3183211	12							•Valve spring		
29	VOE1546487	24							•Valve spring washer		
30	VOE1677875	48							•Valve sleeve		
31	VOE20463179	1							•Adapter		
32	VOE13949721	2							•O-ring		
	VOE3165025	1					NS		•Plug		
33	VOE3155171	1							••Plug		
34	VOE949659	1							••O-ring		

Date: 2014/3/12	Image id: 1018660	Catalogue: 20110	Model: L180F HL
Brand: Volvo	Serial: 11004-15577	Group/Section: 212/100	Title: Cylinder block

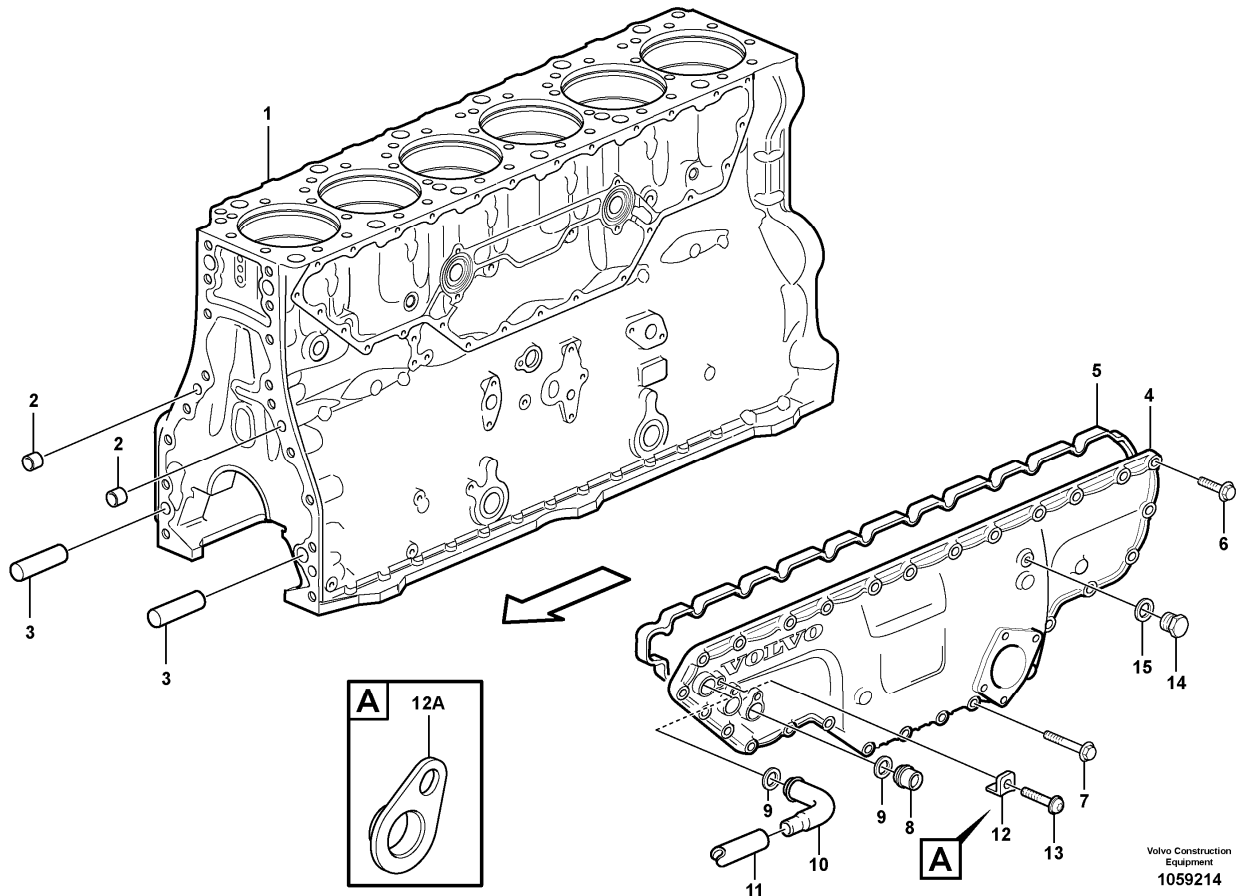


Section option	Kit	Option description
VOE8188740		Engine D12DLAE3
VOE8188743		Engine D12D-B
VOE8188765		Engine D12D-K
VOE8188771		Engine D12D-L

Pos	Part	Q1	Q2	Q3	Q4	Q5	PS	Kit	Description	Option(s)	Remark
	VOE8130120	1					SS		Cylinder block		
1	VOE8130121	1					NS		•Cylinder Block		
2		7					NS		•Cap		
3	VOE422426	1							•Pin		
4	VOE21345129	14							•Screw		
5	VOE981735	1							Cap plug		
6	VOE8170389	2							Guide sleeve		
7	VOE8170666	1							Plug		
8	VOE13960634	1							Plug		

9	VOE13947627	1							Plane gasket		
10	VOE20397778	1							Frame		
11	VOE973523	24							Allen Hd Screw		
12	VOE13965187	8							Screw		L = 60 MM

Date: 2014/3/12	Image id: 1059214	Catalogue: 20110	Model: L180F HL
Brand: Volvo	Serial: 11004-15577	Group/Section: 212/150	Title: Cylinder block



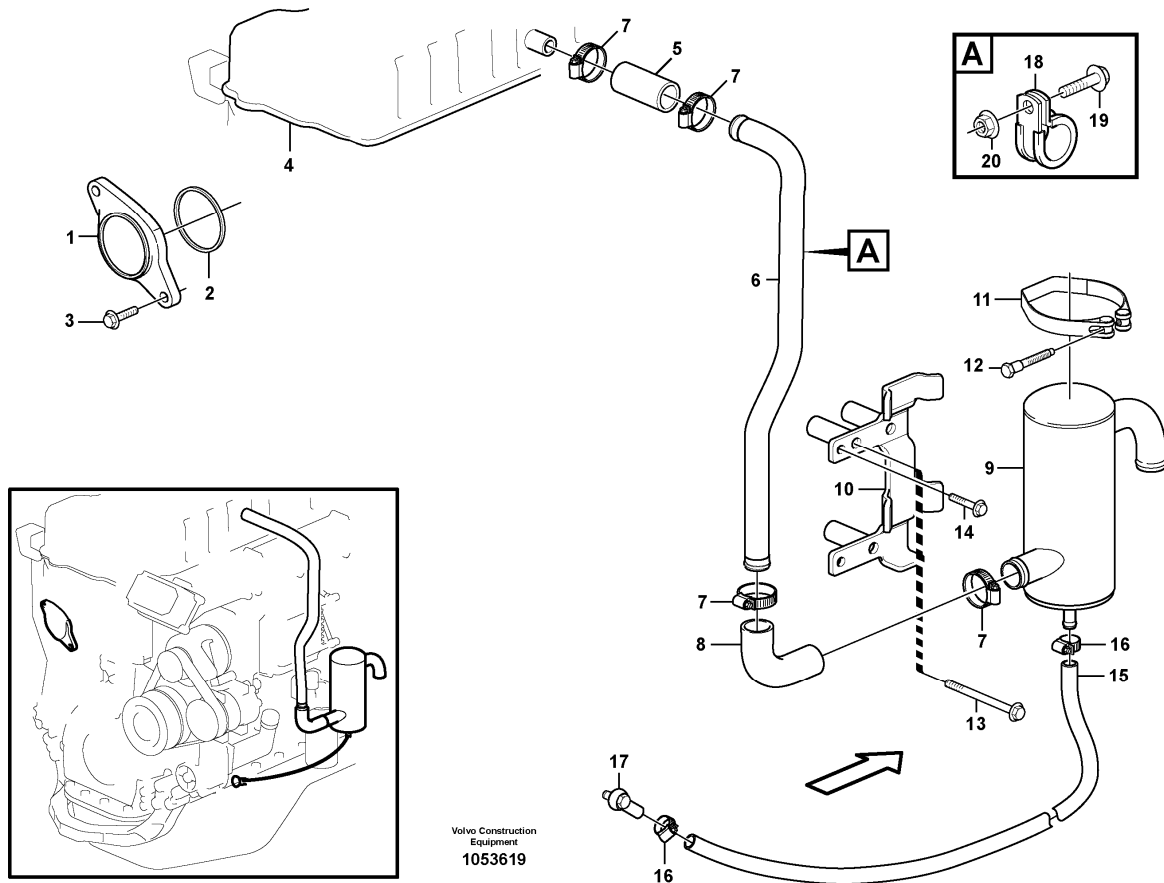
Volvo Construction
Equipment
1059214

Section option	Kit	Option description
VOE8188740		Engine D12DLAE3
VOE8188743		Engine D12D-B
VOE8188765		Engine D12D-K
VOE8188771		Engine D12D-L

Pos	Part	Q1	Q2	Q3	Q4	Q5	PS	Kit	Description	Option(s)	Remark
1		1							Cylinder block		See ref 212/100
2	VOE981735	2							Cap plug		
3	VOE8170389	2							Guide sleeve		
4	VOE20538056	1							Casing		
5	VOE20712545	1							Seal		
6	VOE13945444	20							Screw		
7	VOE13965180	7							Screw		
8	VOE1546528	1							Plug		ENG - 658198
9	VOE1547252	2							Sealing ring		

10	VOE11127377	1							Tube		
11		1							Hose		See ref 873/100
12	VOE1546532	2							Lock		ENG - 643971
	VOE1546532	1							Lock		ENG 643972 -
12A	VOE20718731	1							Yoke		ENG 643972 -
13	VOE13972542	2							Six point socket screw		
14	VOE960631	1							Plug		
15	VOE7011996	1							Gasket		

Date: 2014/3/12	Image id: 1053619	Catalogue: 20110	Model: L180F HL
Brand: Volvo	Serial: 11004-15577	Group/Section: 212/200	Title: Crankcase ventilation

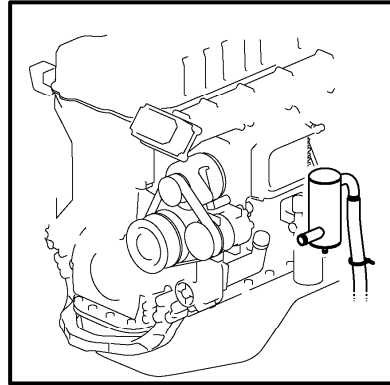
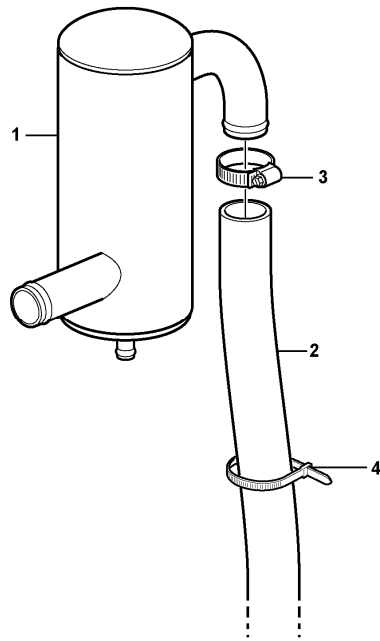


Section option	Kit	Option description
VOE8188740		Engine D12DLAE3
VOE8188743		Engine D12D-B
VOE8188765		Engine D12D-K
VOE8188771		Engine D12D-L

Pos	Part	Q1	Q2	Q3	Q4	Q5	PS	Kit	Description	Option(s)	Remark
1	VOE20700315	1							Plug		
2	VOE3165097	1							Sealing ring		
3	VOE13945444	2							Screw		
4		1							Valve Cover		See ref 214/100
5	VOE11128750	1							Hose		L = 90 MM
6	VOE11423651	1							Pipe		ENG - 622227
6	VOE11423802	1							Pipe		ENG 622228 -
7	VOE943476	4							Hose clamp		ENG - 654902
7	VOE994560	4							Hose clamp		ENG 654903 -

8	VOE11128756	1							Hose		
9	VOE11033878	1							Oil trap		
10	VOE11423146	1							Attachment		
11	VOE420914	1							Tensioning Band		
12	VOE1545257	1							Screw		
13	VOE13965188	3							Screw		
14	VOE946440	2							Flange screw		
15	VOE983342	REQ							Hose		L = 520 MM
16	VOE943471	2							Hose clamp		ENG - 654902
16	VOE994556	2							Hose clamp		ENG 654903 -
17		1							Nipple		See ref 217/200
											See ref 217/250
18	VOE952638	1							Clamp		
19	VOE946934	1							Flange screw		
20	VOE949278	1							Flange lock nut		

Date: 2014/3/12	Image id: 1018618	Catalogue: 20110	Model: L180F HL
Brand: Volvo	Serial: 11004-15577	Group/Section: 212/250	Title: Crankcase ventilation.

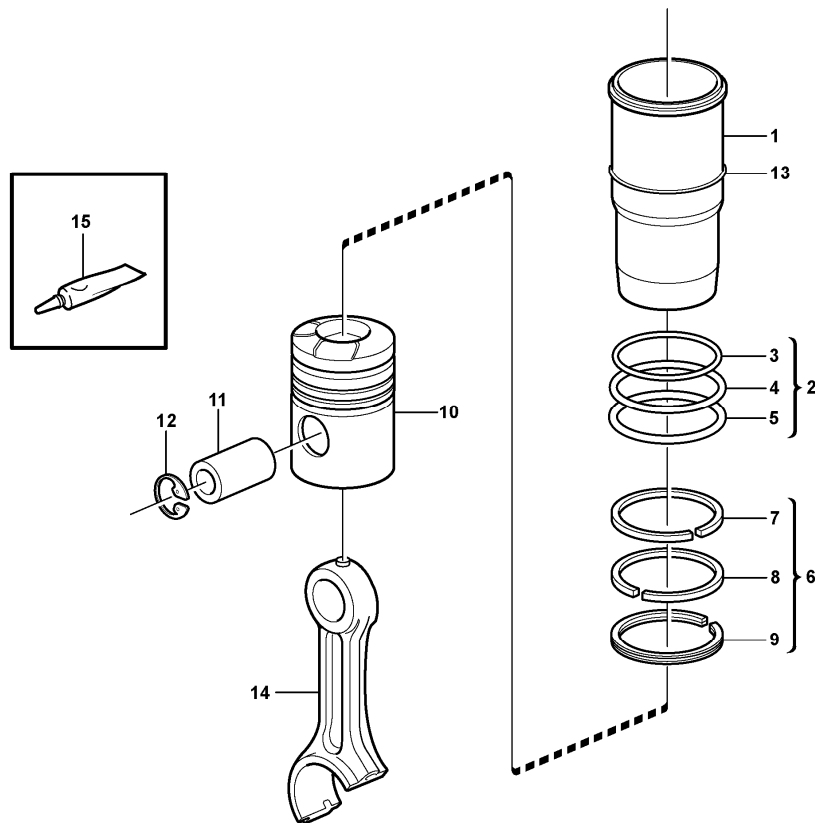


Volvo Construction
Equipment
1018618

Section option	Kit	Option description
VOE33843		Wheel Loader L180F HL

Pos	Part	Q1	Q2	Q3	Q4	Q5	PS	Kit	Description	Option(s)	Remark
1		1							Oil Trap		See ref 212/200
2	VOE13942707	REQ							Hose		L = 950 MM
3	VOE943476	1							Hose clamp		ENG - 654902
3	VOE993963	1							Hose clamp		ENG 654903 -
4	VOE11104606	1							Retaining strap		

Date: 2014/3/12	Image id: 1035153	Catalogue: 20110	Model: L180F HL
Brand: Volvo	Serial: 11004-15577	Group/Section: 213/100	Title: Cylinder liner and piston



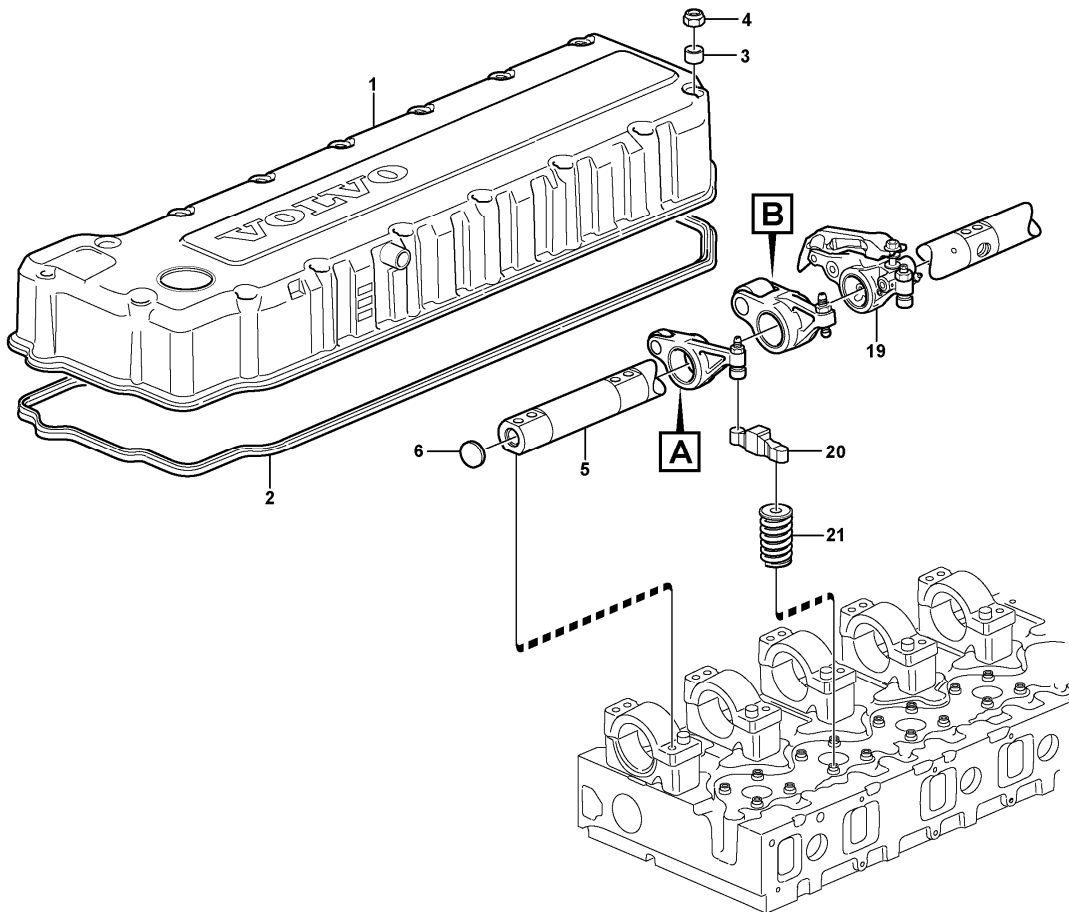
Volvo Construction
Equipment
1035153

Section option	Kit	Option description
VOE8188740		Engine D12DLAE3
VOE8188743		Engine D12D-B
VOE8188765		Engine D12D-K
VOE8188771		Engine D12D-L

Pos	Part	Q1	Q2	Q3	Q4	Q5	PS	Kit	Description	Option(s)	Remark
	VOE20820358	6							Cylinder		
1	VOE20451502	6					NS		•Cylinder Liner		
2	VOE270950	6							•Sealing kit		
3	VOE470922	6							••Seal Ring		UPPER
4	VOE470190	12					NS		••Sealing ring		CENT
5	VOE270950	6							••Sealing kit		LOW
6	VOE20820363	6							•Piston Ring Kit		
7	VOE20411224	6					OP		••Compression ring		UPPER
8	VOE20576259	6					OP		••Compression ring		LOW

9	VOE20505156	6					OP		••Oil scraper ring		
10	VOE20482587	6					OP		•Piston		
11	VOE3155115	6							•Gudgeon pin		
12	VOE914530	12							•Retaining ring		
13	VOE1677591	REQ							Shim		THICK = 0,2 MM
13	VOE1677592	REQ							Shim		THICK = 0,3 MM
13	VOE1677593	REQ							Shim		THICK = 0,5 MM
14		6							Connecting rod		See ref 216/100
15	VOE1161277	REQ							Sealant		20 GRAM
15	VOE11713514	REQ							Sealant		

Date: 2014/3/12	Image id: 1021679	Catalogue: 20110	Model: L180F HL
Brand: Volvo	Serial: 11004-15577	Group/Section: 214/100	Title: Valve mechanism



Volvo Construction
Equipment
1021679

Section option	Kit	Option description
VOE8188740		Engine D12DLAE3
VOE8188743		Engine D12D-B
VOE8188765		Engine D12D-K
VOE8188771		Engine D12D-L

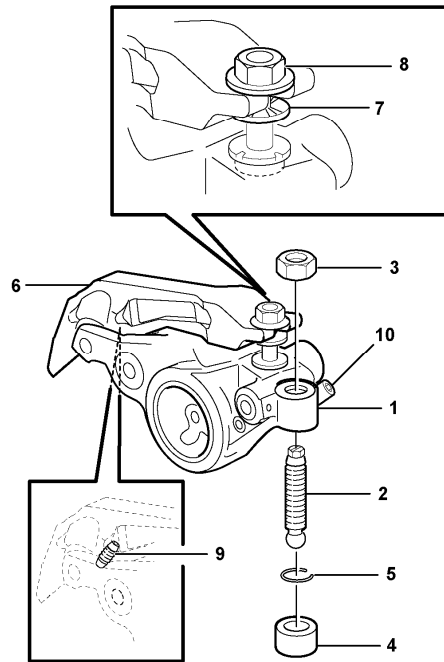
Q1-Q5	Option	Option description	
Q1 ENG - 644714			
Q2 ENG 644715 -			

Pos	Part	Q1	Q2	Q3	Q4	Q5	PS	Kit	Description	Option(s)	Remark
1	VOE20545676	1	1						Valve Cover		
1	VOE20545673	1	1				NS		•Valve cover		
2	VOE21070576	1	1						Sealing strip		
3	VOE3964604	16	16						Bushing		
4	VOE8148488	16	16						Lock nut		

5	VOE8170158	1	1						Rocker arm shaft		
5	VOE8170159	1	1				OP		•Rocker arm shaft		
6	VOE980176	2	2						•Expansion plug		
7	VOE21024794	6	6						Rocker arm		INLET
7	VOE1546690	6	6				NS		•Rocker Arm		
8	VOE1546681	6	6						•Bushing		
	VOE1546046	6	6						•Bushing		See footnote 2624)
9	VOE1546458	6	6						•Ball stud		
10	VOE13946911	6	6						•Nut		
11	VOE21054149	6	6						•Ball socket		
12	VOE21054152	6	6				NS		••Ball Socket		
13	VOE944364	6	6						••O-ring		
14	VOE21023450	6							Rocker arm		INJECTOR
14	VOE21089229		6						Rocker arm		
14	VOE20381704	6	6				OP		•Rocker arm		
15	VOE3155127	6					SS		•Bushing		
	VOE1546685	6							•Bushing		See footnote 2624)
15	VOE51081469		6				NS		•Bushing		
16	VOE1546775	6	6						•Ball stud		
17	VOE1677396	6	6						•Hexagon nut		
18	VOE3964817	12	12						•Jet		
19		6	6						Rocker Arm		See ref 214/150
20	VOE3183207	12	12						Valve cap		
21		24	24						Valve spring		See ref 211/100

2624) Not Shown

Date: 2014/3/12	Image id: 1018621	Catalogue: 20110	Model: L180F HL
Brand: Volvo	Serial: 11004-15577	Group/Section: 214/150	Title: Rocker arm



Volvo Construction
Equipment
1018621

Section option	Kit	Option description
VOE8188740		Engine D12DLAE3
VOE8188743		Engine D12D-B
VOE8188765		Engine D12D-K
VOE8188771		Engine D12D-L

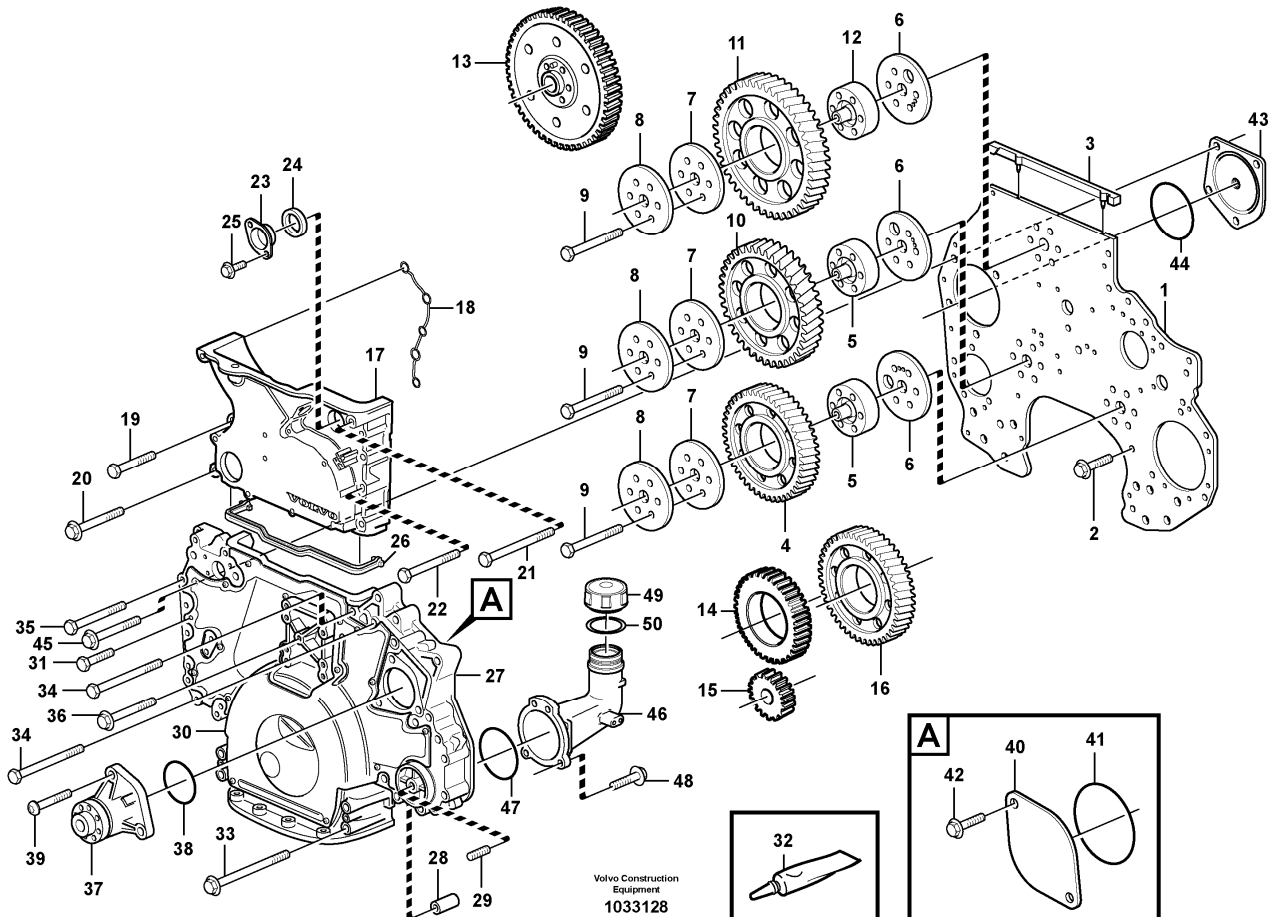
Q1-Q5	Option	Option description	
Q1 ENG - 646549			
Q2 ENG 646560 -			

Pos	Part	Q1	Q2	Q3	Q4	Q5	PS	Kit	Description	Option(s)	Remark
	VOE21243114	1							Rocker arm		(VOE21048998) EXHAUST
	VOE21243114		1						Rocker arm		
1	VOE21088680	1					NS		•Rocker Arm		
1	VOE21243110		1				NS		•Rocker Arm		

2	VOE1546458	1	1						•Ball stud		
3	VOE13946911	1	1						•Nut		
4	VOE20441753	1							•Ball socket		
4	VOE21054149		1						•Ball socket		
5	VOE944364	1	1						••O-ring		
6	VOE20525325	1					OP		•Rocker arm		
6	VOE21084235		1						•Rocker Arm		
7		1					NS		•Sleeve		
8	VOE20524958	1	1						•Nut		
9	VOE3964817	1							•Jet		
10	VOE20916960	1	1						•Nipple		
	VOE21084234	1	1						•Bushing		See footnote 2624)

2624) Not Shown

Date: 2014/3/12	Image id: 1033128	Catalogue: 20110	Model: L180F HL
Brand: Volvo	Serial: 11004-15577	Group/Section: 215/100	Title: Timing gear casing and gears

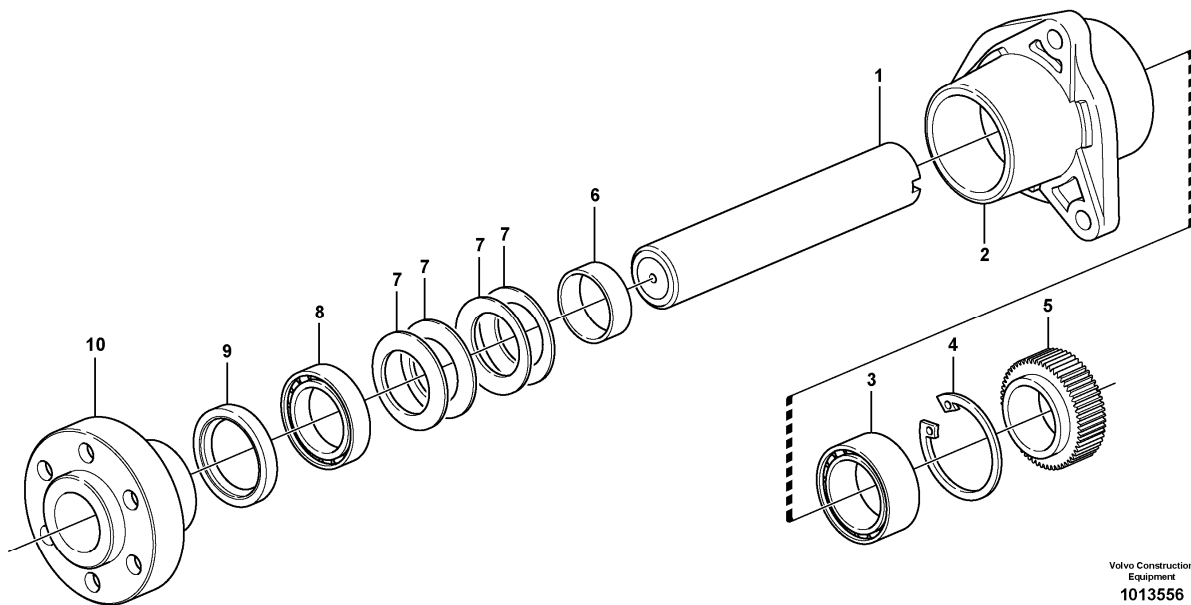


Section option	Kit	Option description
VOE8188740		Engine D12DLAE3
VOE8188743		Engine D12D-B
VOE8188765		Engine D12D-K
VOE8188771		Engine D12D-L

Pos	Part	Q1	Q2	Q3	Q4	Q5	PS	Kit	Description	Option(s)	Remark
1	VOE8170561	1							Xmsn Plate		
2	VOE946470	17							Flange screw		
3	VOE20489341	1							Gasket		
4	VOE8170193	1							Idler gear		
5	VOE8170219	2							Hub		
6	VOE8170220	3							Thrust washer		
7	VOE3184865	3							Thrust washer		
8	VOE3184868	3							Bearing shield		
9	VOE1547886	18							Screw		ENG - 650286

	VOE21344754	18							Screw		ENG 650287 -
10	VOE8170195	1							Idler gear		
11	VOE8170197	1							Idler gear		
12	VOE8170199	1							Hub		
13		1							Gear		See ref 215/200
14		1							Idler gear		See ref 221/200
15		1							Gear		See ref 221/200
16		1					NS		Gear		See ref 262/100
17	VOE20713791	1							Tmg Gear Cover		
18	VOE3830184	1							Sealing		
19	VOE13965182	3							Screw		L = 80 MM
20	VOE13965183	1							Flange screw		L = 90 MM
21	VOE13965190	1							Screw		L = 100 MM
22	VOE13965223	1							Screw		L = 75 MM
	VOE13947790	2							Screw		L = 80 MM
	VOE969225	1							Flange screw		L = 120 MM
23		1							Adapter		See ref 222/100
24	VOE20555696	1							Sealing ring		
25	VOE946440	2							Flange screw		
26	VOE20714247	1							Seg moulding		
	VOE8170227	1					NS		Timing gear cover		
	VOE3165064	1							•Timing gear cover		
27	VOE8170228	1					NS		••Tmg gear cover		
28	VOE1547940	2							••Pin		
29	VOE956022	1							••Thread insert		
30	VOE8170235	1							•Noise shield		
31	VOE13972542	16							•Six point socket screw		L = 14 MM
32	VOE11713514	REQ							Sealant		304 ML
	VOE1161277	REQ							Sealant		20 GRAM
33	VOE973096	4							Flange screw		L = 130 MM
34	VOE13947790	2							Screw		L = 80 MM
35	VOE955302	11							Hexagon screw		L = 60 MM
	VOE13965181	1							Screw		L = 70 MM
36	VOE13965183	1							Flange screw		L = 90 MM
37		1							Driving Device		See ref 215/150
38	VOE967344	1							O-ring		
39	VOE13946752	1							Screw		L = 35 MM
40	VOE3828400	1							Cover		
41	VOE967344	1							O-ring		
42	VOE946441	2							Flange screw		
43	VOE1556208	1							Cover		
44	VOE13948888	1							O-ring		
45	VOE946473	4							Flange screw		
46	VOE15000507	1							Oil filler pipe		
47	VOE13949736	1							O-ring		
48	VOE946473	4							Flange screw		

Date: 2014/3/12	Image id: 1013556	Catalogue: 20110	Model: L180F HL
Brand: Volvo	Serial: 11004-15577	Group/Section: 215/150	Title: Driving device



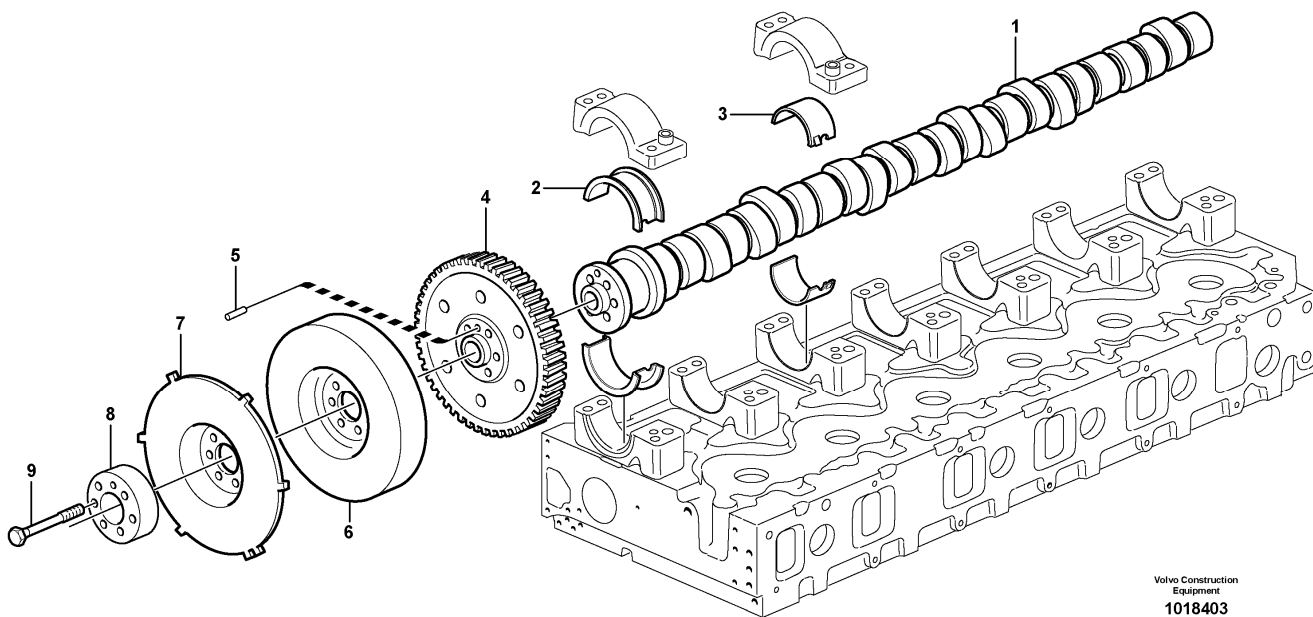
Volvo Construction
Equipment
1013556

Section option	Kit	Option description
VOE8188740		Engine D12DLAE3
VOE8188743		Engine D12D-B
VOE8188765		Engine D12D-K
VOE8188771		Engine D12D-L

Pos	Part	Q1	Q2	Q3	Q4	Q5	PS	Kit	Description	Option(s)	Remark
	VOE8193986	1							Driving device		
1	VOE8184821	1					NS		•Axle		
2	VOE8170667	1					OP		•Bearing housing		
3	VOE471499	1							•Ball bearing		
4	VOE914532	1							•Retaining ring		
5	VOE8170240	1					OP		•Gear		
6	VOE8193994	1							•Spacer sleeve		
7	VOE1677558	4					OP		•Disc spring		
8	VOE7011013	1							•Bearing		

9	VOE1546480	1							•Sealing ring		
10	VOE1547846	1					OP		•Hub		

Date: 2014/3/12	Image id: 1018403	Catalogue: 20110	Model: L180F HL
Brand: Volvo	Serial: 11004-15577	Group/Section: 215/200	Title: Camshaft



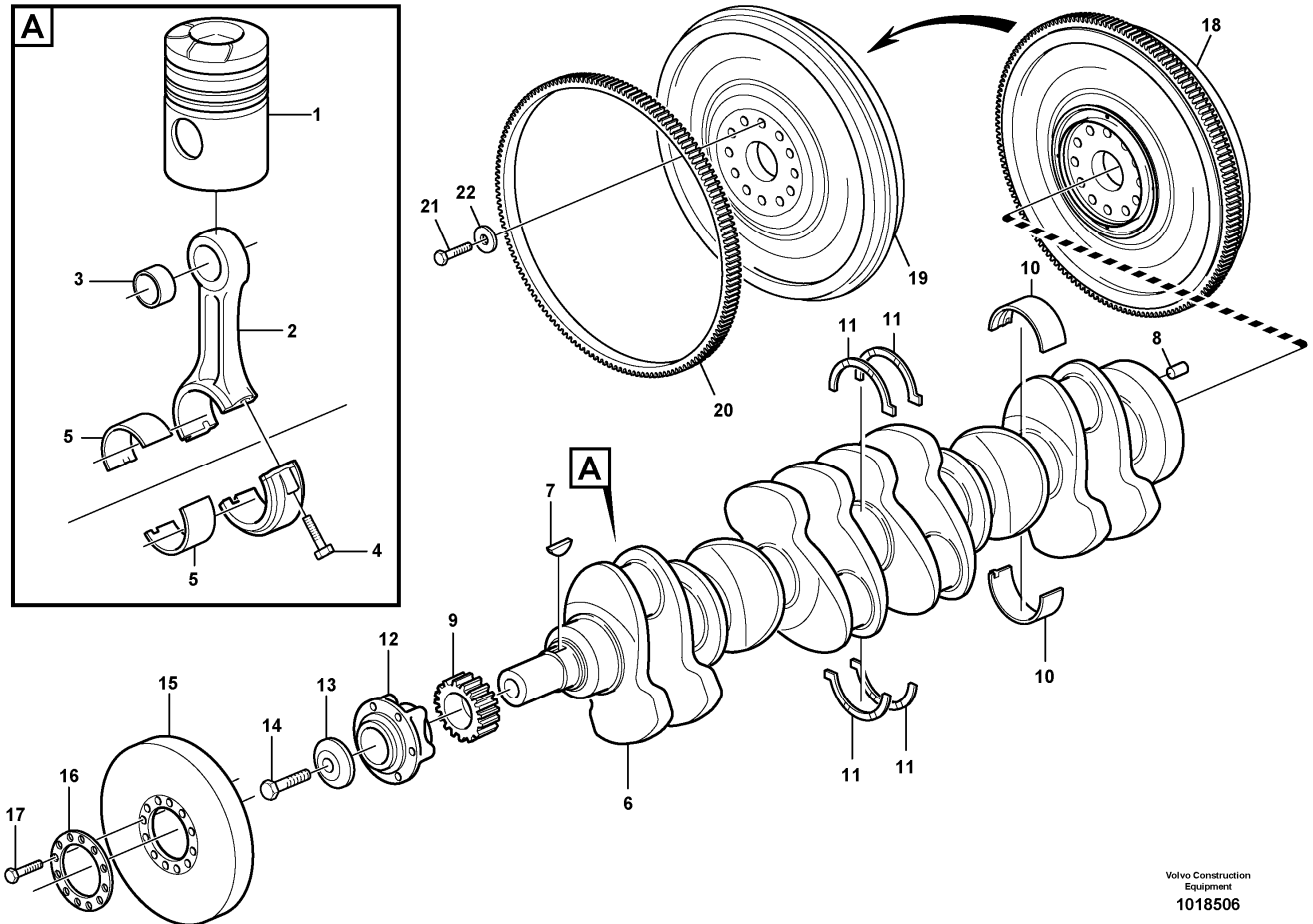
Volvo Construction
Equipment
1018403

Section option	Kit	Option description
VOE8188740		Engine D12DLAE3
VOE8188743		Engine D12D-B
VOE8188765		Engine D12D-K
VOE8188771		Engine D12D-L

Pos	Part	Q1	Q2	Q3	Q4	Q5	PS	Kit	Description	Option(s)	Remark
1	VOE20576909	1							Camshaft		
2	VOE20503200	1							Bearing shell kit		STD
	VOE20494259	2					SS		•Bearing Shell		
3	VOE276630	6							Bearing shell kit		STD
	VOE1677212	12							•Bearing Shell		
	VOE1677551	12							Bearing shell		0,25 U SZ
4	VOE20450344	1							Gear		
5	VOE950572	1							•Grooving tool		
6	VOE8170954	1							Vibration damper		

7	VOE3155166	1							Tooth Wheel		
8	VOE20440991	1							Spacer		
9	VOE20441079	6							Flange screw		ENG - 652109
	VOE21344765	6							Flange screw		ENG 652110 -

Date: 2014/3/12	Image id: 1018506	Catalogue: 20110	Model: L180F HL
Brand: Volvo	Serial: 11004-15577	Group/Section: 216/100	Title: Crankshaft and related parts



Volvo Construction
Equipment
1018506

Section option	Kit	Option description
VOE8188740		Engine D12DLAE3
VOE8188743		Engine D12D-B
VOE8188765		Engine D12D-K
VOE8188771		Engine D12D-L

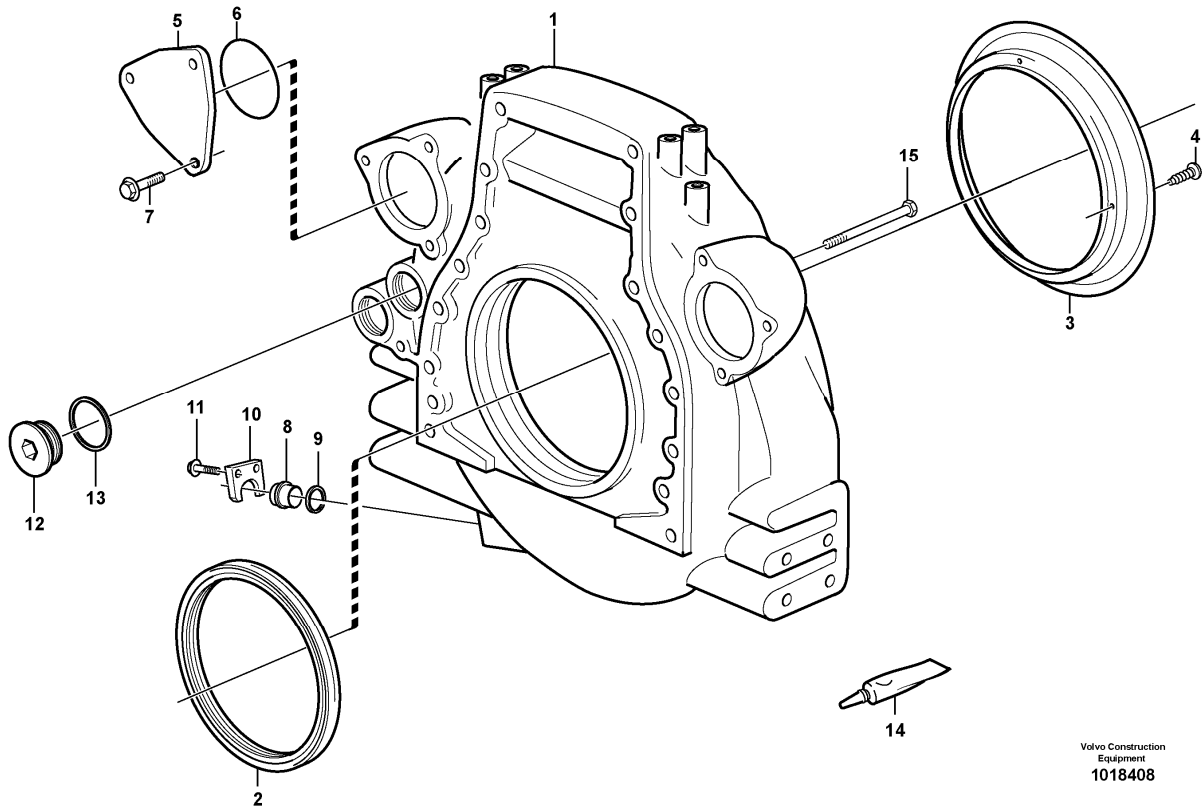
Q1-Q5	Option	Option description	
Q1 8188740	VOE8188740	Engine D12DLAE3	
Q2 8188743	VOE8188743	Engine D12D-B	
Q3 8188771	VOE8188771	Engine D12D-L	
Q4 8188765	VOE8188765	Engine D12D-K	

Pos	Part	Q1	Q2	Q3	Q4	Q5	PS	Kit	Description	Option(s)	Remark
1		6	6	6	6				Piston		See ref 213/100
	VOE20412200	6	6	6	6				Connecting rod		
2	VOE20412201	6	6	6	6		NS		•Connecting rod		

3	VOE20381185	6	6	6	6				•Bushing		
4	VOE1543035	12	12	12	12				•Screw		
5	VOE276134	REQ	REQ	REQ	REQ				Big End Brg Kit		STD
	VOE276135	REQ	REQ	REQ	REQ				Big End Brg Kit		0,25 MM U SZ
	VOE276136	REQ	REQ	REQ	REQ				Big End Brg Kit		0,50 MM U SZ
	VOE276137	REQ	REQ	REQ	REQ				Big End Brg Kit		0,75 MM U SZ
	VOE276334	REQ	REQ	REQ	REQ				Big End Brg Kit		1,00 MM U SZ
	VOE276349	REQ	REQ	REQ	REQ				Big End Brg Kit		1,25 MM U SZ
	VOE20533089	1	1	1	1				Crankshaft		See footnote 1)
6		1	1	1	1		NS		••Crankshaft		
7	VOE422253	1	1	1	1				••Key		
8	VOE950644	1	1	1	1				••Pin		
9	VOE8170192	1	1	1	1				Gear		
10	VOE20530916	7	7	7	7				Mn Bearing Kit		STD
	VOE20578624	7	7	7	7				Main Bearing		0,25 MM U SZ
	VOE20578625	7	7	7	7				Main Bearing		0,50 MM U SZ
	VOE20578626	7	7	7	7		OP		Main Bearing		0,75 MM U SZ
	VOE20578627	7	7	7	7				Main Bearing		1,00 MM U SZ
	VOE20578628	7	7	7	7				Main Bearing		1,25 MM U SZ
11	VOE3093651	1	1						Thrust washer kit		STD
	VOE3093651			1					Thrust washer kit		STD ENG - 648064
	VOE21267844			1	1				Thrust washer		STD ENG 648065 -
	VOE3093652	1	1	1					Thrust washer kit		0,1 MM U SZ
	VOE3093653	1	1	1					Thrust washer kit		0,2 MM U SZ
	VOE3093654	1	1	1					Thrust washer kit		0,3 MM U SZ
12	VOE11707317	1	1	1	1				Hub		(VOE1549407)
13	VOE422124	1	1	1	1				Washer		
14	VOE1543316	1	1	1	1				Screw		ENG - 658024
14	VOE21344750			1	1				Screw		ENG 658025 -
15	VOE8193930	1	1	1	1				Vibration damper		
16	VOE8193962	1	1	1	1				Washer		
17	VOE13970950	12	12	12	12				Hexagon screw		
18	VOE11127560	1	1	1					Flywheel		
18	VOE15091261				1				Flywheel		
19	VOE11127559	1	1	1			NS		•Flywheel		
20	VOE20711957	1	1	1					•Ring gear		
21	VOE1677893	14	14	14	14				Screw		
22	VOE1543563	14	14	14	14				Washer		

1) Replacement version

Date: 2014/3/12	Image id: 1018408	Catalogue: 20110	Model: L180F HL
Brand: Volvo	Serial: 11004-15577	Group/Section: 216/150	Title: Flywheel housing



Volvo Construction
Equipment
1018408

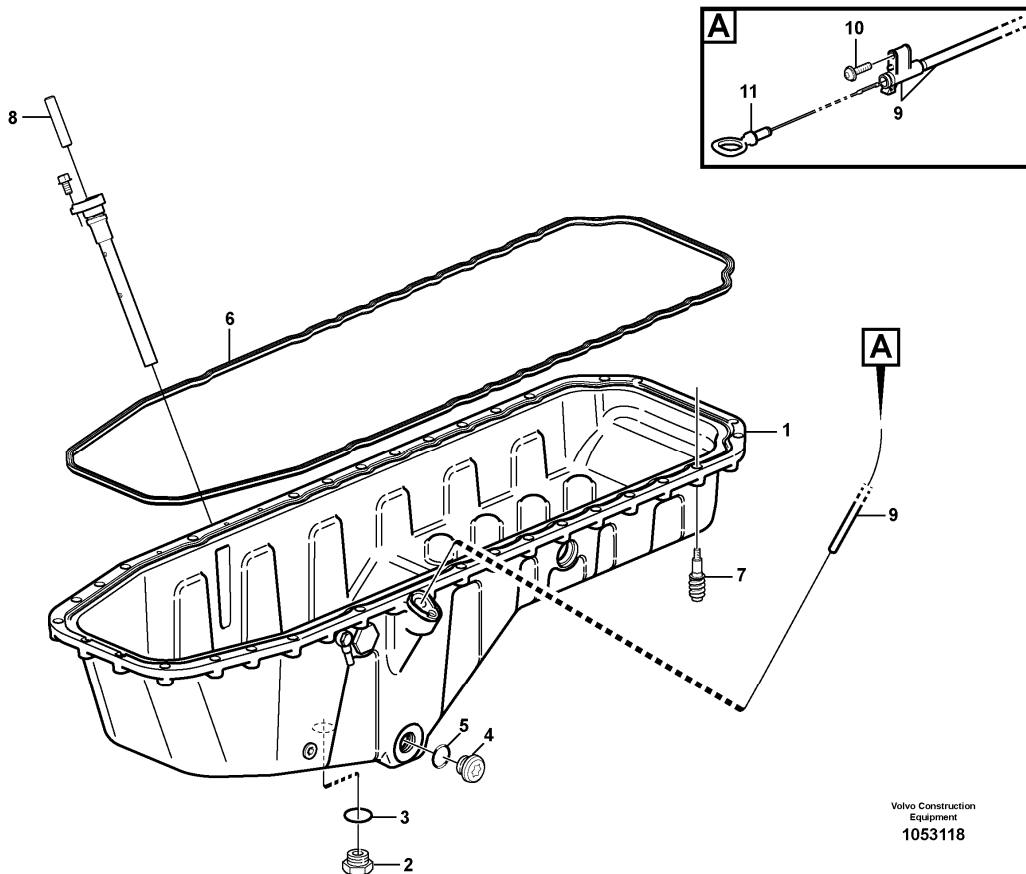
Section option	Kit	Option description
VOE8188740		Engine D12DLAE3
VOE8188743		Engine D12D-B
VOE8188765		Engine D12D-K
VOE8188771		Engine D12D-L

Q1-Q5	Option	Option description	
Q1 8188740	VOE8188740	Engine D12DLAE3	
Q2 8188743	VOE8188743	Engine D12D-B	
Q3 8188771	VOE8188771	Engine D12D-L	
Q4 8188765	VOE8188765	Engine D12D-K	

Pos	Part	Q1	Q2	Q3	Q4	Q5	PS	Kit	Description	Option(s)	Remark
	VOE11030273	1	1	1					Flywheel housing		
	VOE15020693				1				Flywheel housing		
1	VOE11030245	1	1	1			OP		•Flywheel housing		

	VOE11030245				1		OP		•Flywheel housing		
2	VOE1543896	1	1	1	1				•Sealing ring		
3	VOE11030271	1	1	1					•Oil deflector ring		
	VOE15004855				1				•Oil deflector ring		
4	VOE13905650	4	4	4	4				•Drive screw		
5	VOE11128928	1	1	1	1				Cover		
6		1	1	1	1		NS		Gasket		
7	VOE946502	3	3	3	3				Flange screw		
8	VOE11031785	1	1	1	1				Plug		
9	VOE421158	1	1	1	1				Sealing ring		
10	VOE11031769	1	1	1	1				Lock washer		
11	VOE13966378	2	2	2	2				Flange screw		
12	VOE15134976	2	2	2	2				Plug		
13	VOE1556907	2	2	2	2				Gasket		
14	VOE1161277	REQ	REQ	REQ	REQ				Sealant		20 GRAM
	VOE11713514	REQ	REQ	REQ	REQ				Sealant		
15	VOE13966364	8	8	8	8				Flange screw		L = 70 MM
	VOE13966366	2	2	2	2				Flange screw		L = 90 MM
	VOE13966371	2	2	2	2				Flange screw		L = 140 MM

Date: 2014/3/12	Image id: 1053118	Catalogue: 20110	Model: L180F HL
Brand: Volvo	Serial: 11004-15577	Group/Section: 217/100	Title: Oil sump / oil dipstick 8188740, 8188743



Section option	Kit	Option description
VOE8188740		Engine D12DLAE3
VOE8188743		Engine D12D-B

Pos	Part	Q1	Q2	Q3	Q4	Q5	PS	Kit	Description	Option(s)	Remark
1		1							Oil Pan		See ref 217/200
2	VOE11127354	1							Plug		
3	VOE13948610	1							O-ring		
4	VOE11127354	1							Plug		
5	VOE13948610	1							O-ring		
6	VOE20532272	1							Sealing strip		
7	VOE20538726	30							Flange screw		
8	VOE20533484	1							Plug		
9	VOE11423483	1							Oil dipstick		
	VOE944124	1							•O-ring		
10	VOE975371	1							Six point socket		



Suggest:

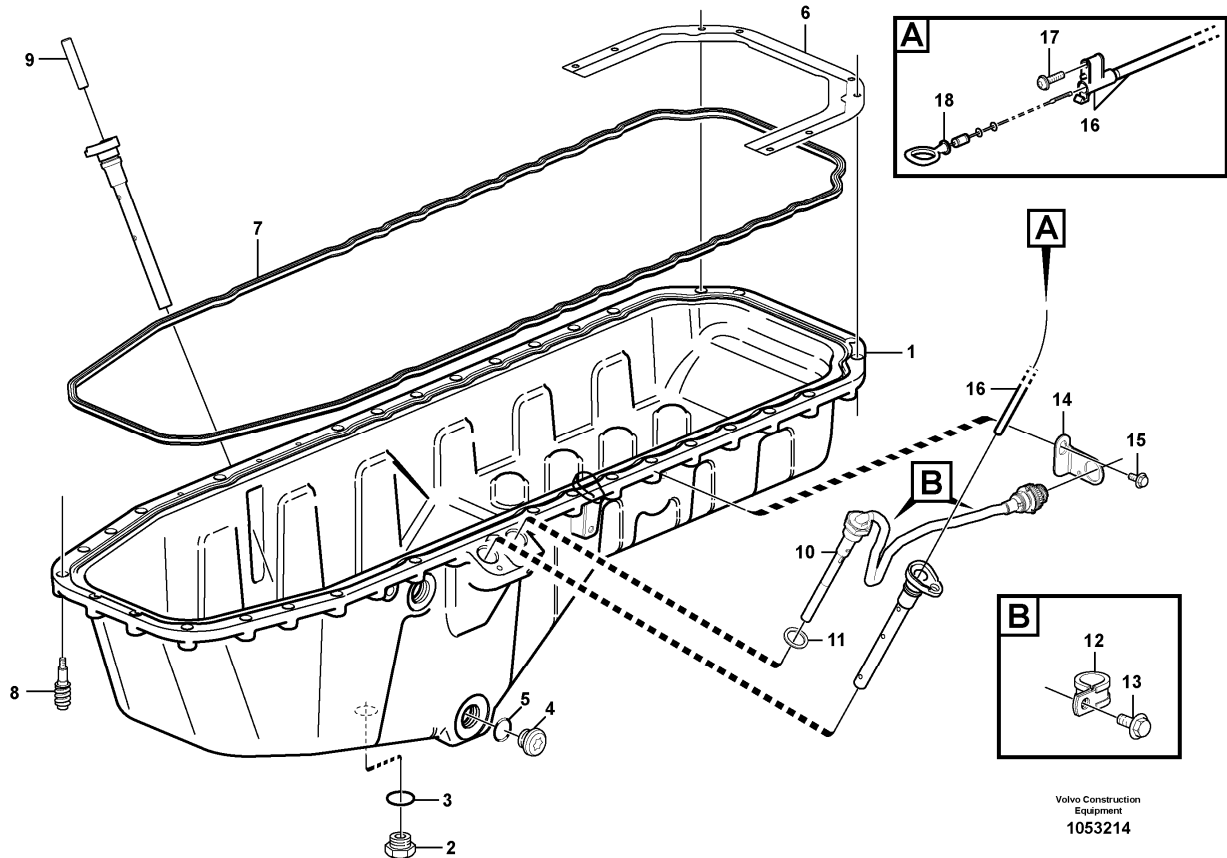
For more complete manuals. Please go to the home page.

<https://www.ebooklibonline.com>

If the above button click is invalid. Please download this document first, and then click the above link to download the complete manual.

Thank you so much for reading

Date: 2014/3/12	Image id: 1053214	Catalogue: 20110	Model: L180F HL
Brand: Volvo	Serial: 11004-15577	Group/Section: 217/150	Title: Oil sump / oil dipstick 8188771, 8188765



Volvo Construction
Equipment
1053214

Section option	Kit	Option description
VOE8188765		Engine D12D-K
VOE8188771		Engine D12D-L

Q1-Q5	Option	Option description
Q1 8188771	VOE8188771	Engine D12D-L
Q2 8188765	VOE8188765	Engine D12D-K

Pos	Part	Q1	Q2	Q3	Q4	Q5	PS	Kit	Description	Option(s)	Remark
1		1							Oil Pan		See ref 217/200
1		1	1						Oil Pan		See ref 217/250
2	VOE11127354	1	1						Plug		
3	VOE13948610	1	1						O-ring		
4	VOE11127354	1	1						Plug		
5	VOE13948610	1	1						O-ring		
6	VOE15122204	1	1						Sealing plate		

<https://www.ebooklibonline.com>

Hello dear friend!

Thank you very much for reading.

Enter the link into your browser.

The full manual is available for immediate download.

<https://www.ebooklibonline.com>