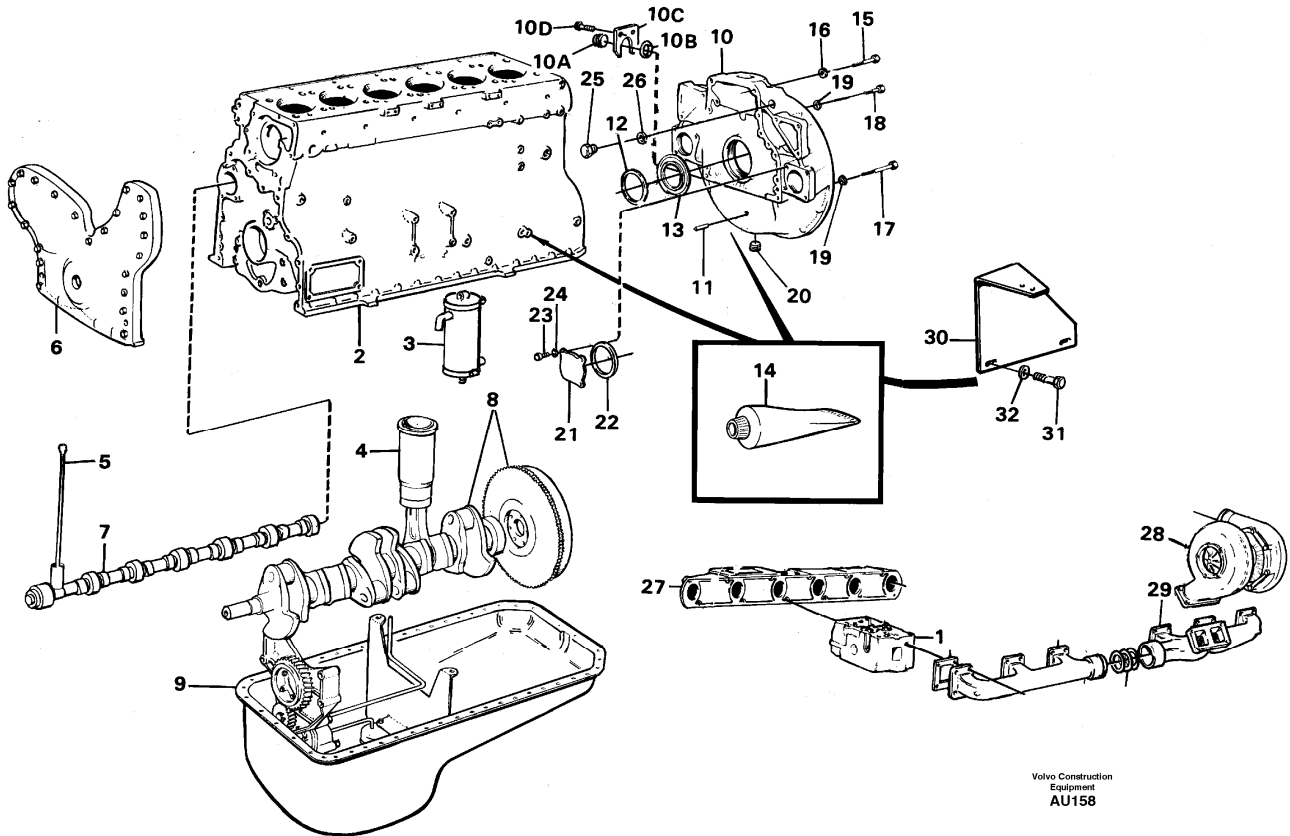


Date: 2014/3/5	Image id: AU158	Catalogue: 97786	Model: L150C LB
Brand: Volvo	Serial: 2768-10000	Group/Section: 210/150	Title: Engine installation components.



Volvo Construction
Equipment
AU158

Q1-Q5	Option	Option description	
Q1 8188141			
Q2 8188144			

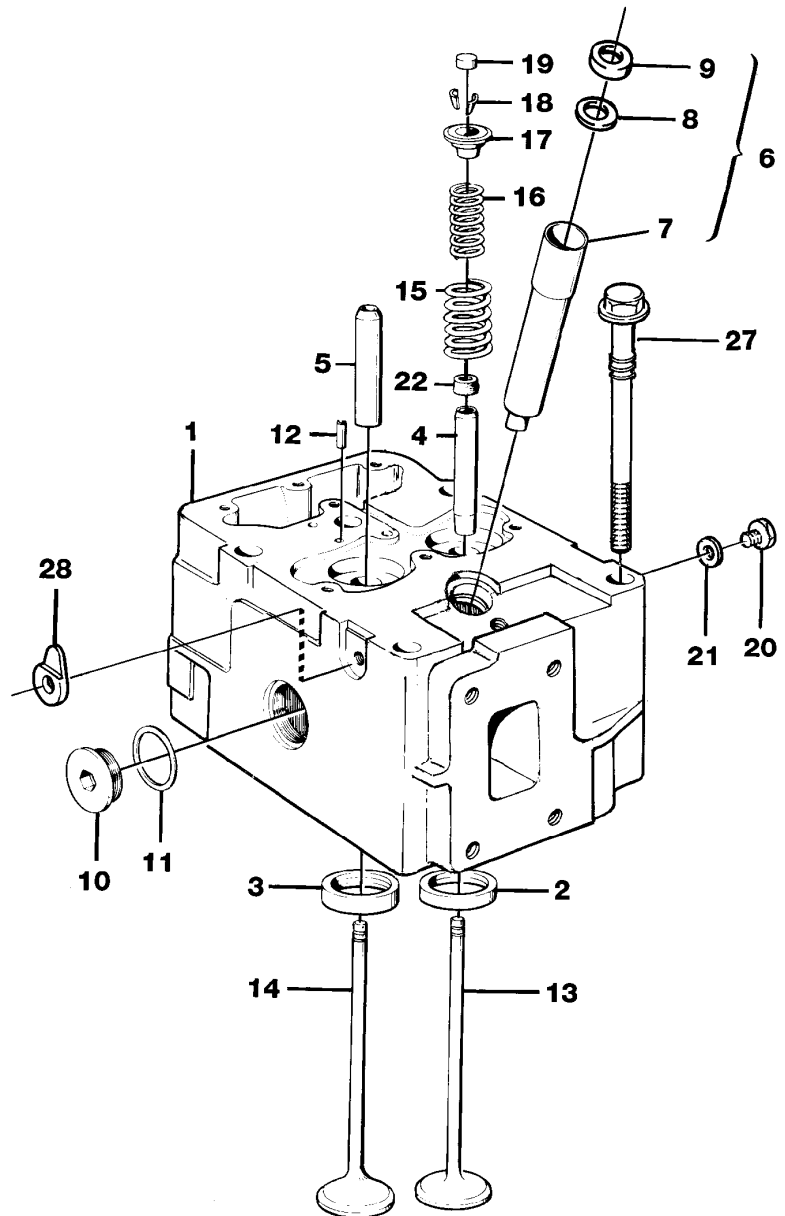
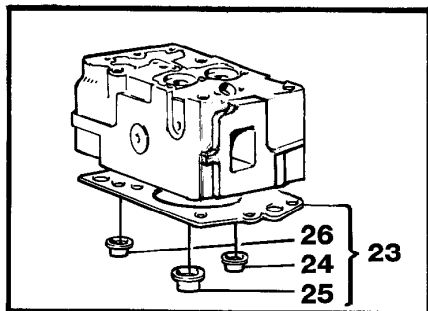
Pos	Part	Q1	Q2	Q3	Q4	Q5	PS	Kit	Description	Option(s)	Remark
	VOE8188141	1							Engine		See footnote 1239)
	VOE8188144		1						Engine		See footnote 1240)
1		1	1						•Cylinder head		See ref 211/100
2		1	1						•Cylinder block		See ref 212/100
3		1	1						•Crankcase ventilation		See ref 212/200
4		1	1						•Cylinder liner		See ref 213/100
5		1	1						•Valve mechanism		See ref 214/100
6		1	1						•Timing gear casing		See ref 215/150
									••••and gears		
7		1	1						•Camshaft		See ref 215/200
8		1	1						•Crankshaft		See ref 216/100
9		1							•Oil sump		See ref 217/100

			1						•Oil sump		See ref 217/150
10	VOE11031786	1	1				SS		•Flywheel housing		
10A	VOE11031785	1	1						••Plug		
10B	VOE421158	1	1						••Sealing ring		
10C	VOE11031769	1	1						••Lock washer		
10D	VOE13966378	2	2						••Flange screw		
11	VOE404069	1	1						••Pin		
12	VOE20441697	1	1						••Sealing		(VOE469336)
13	VOE11031096	1	1						••Protecting plate		
14	VOE1161277	REQ	REQ						•Sealant		20 GRAM
15	VOE955582	2	2						•Hexagon screw		L = 70 MM
16	VOE941911	2	2						•Spring washer		
17	VOE955587	2	2						•Hexagon screw		L = 102 MM
18	VOE955580	8	8						•Hexagon screw		L = 57 MM
19	VOE941911	10	10						•Spring washer		
20	VOE968215	1	1						•Plug blank		
21	VOE4777078	1	1						•Cover		
22	VOE13925095	1	1						•O-ring		
23	VOE13940115	2	2						•Screw		(VOE940115)
24	VOE13942336	2	2						•Spring washer		(VOE942336)
25	VOE960630	1	1						•Plug		
26	VOE13947621	1	1						•Plane gasket		ID = 18 MM
27		1	1						•Inlet pipe		See ref 251/100
28		1	1						•Turbocharger		See ref 255/100
29		1	1						•Exhaust pipe		See ref 251/100
30	VOE11093495	1	1						•Bracket		
31	VOE13940114	2	2						•Screw		
32	VOE13940097	2	2						•Washer		

1239) STD SER NO - 3110, 3112 - 3136, 3138 - 4000, SER NO - 61500 USA.

1240) STD SER NO 3111, 3137, 4001 -. SER NO 61501 - USA.

Date: 2014/3/5	Image id: AU157A	Catalogue: 97786	Model: L150C LB
Brand: Volvo	Serial: 2768-10000	Group/Section: 211/100	Title: Cylinder head



Volvo Construction
Equipment
AU 157 A

Pos	Part	Q1	Q2	Q3	Q4	Q5	PS	Kit	Description	Option(s)	Remark
	VOE8194452	6							Cylinder head		
1	VOE8194448	6					NS		•Cylinder head		
2	VOE467474	6							••Valve seat		STD SZ, Inlet
	VOE467590	6							••Valve seat		0,2 MM, O SZ, Inlet
3	VOE1545886	6							••Valve seat		STD SZ, Outlet
	VOE1545885	6							••Valve seat		(VOE11987040)0,2 MM, O SZ, Outlet

<https://www.ebooklibonline.com>

Hello dear friend!

Thank you very much for reading.

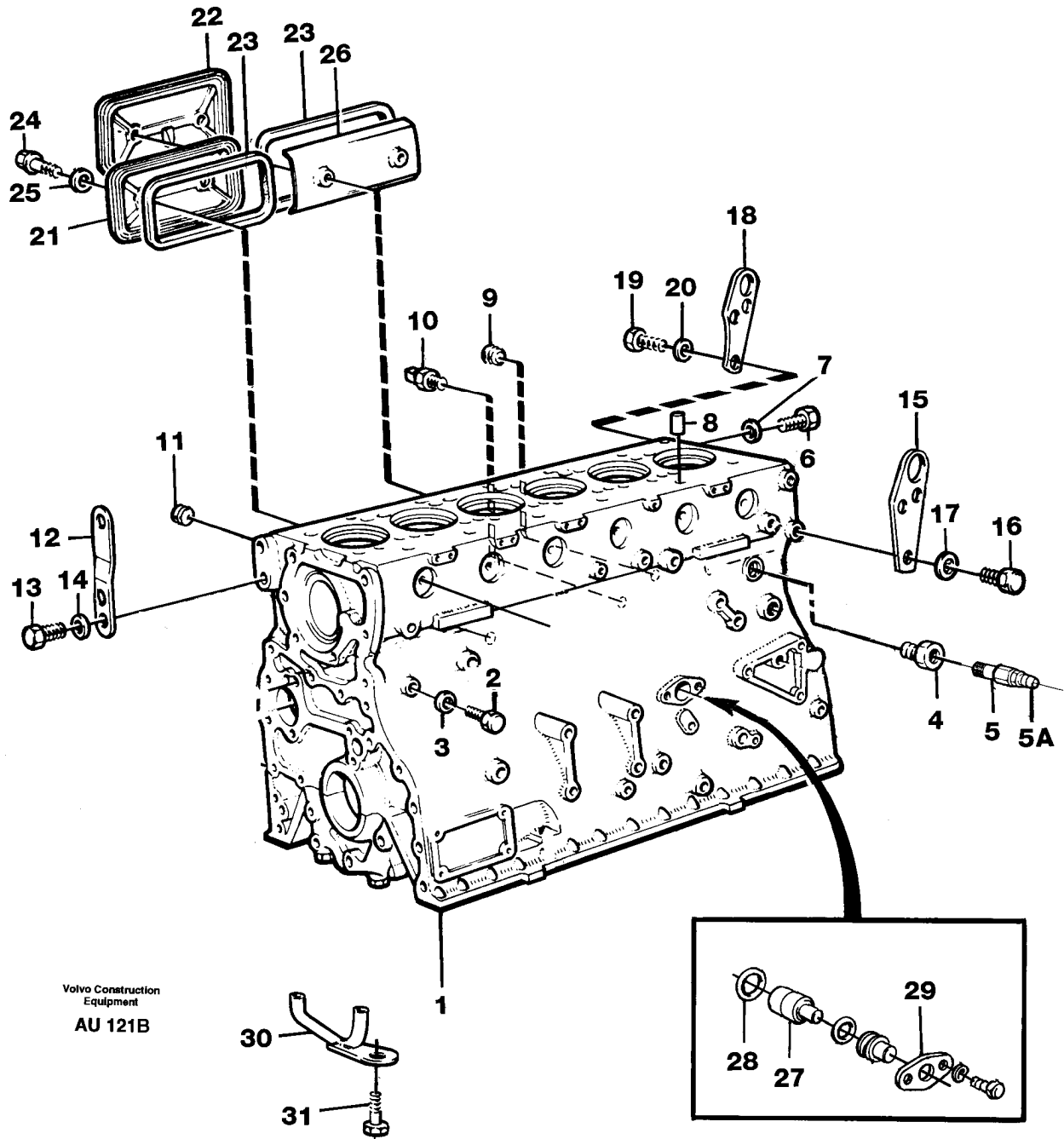
Enter the link into your browser.

The full manual is available for immediate download.

<https://www.ebooklibonline.com>

4	VOE1545135	6							••Valve Guide		
5	VOE1545135	6							••Valve Guide		
6	VOE270946	6							••Repair Kit		
7	VOE479163	6							•••Sleeve		
8	VOE466405	6							•••Sealing ring		
9	VOE466420	6							•••Ring		
10	VOE8194467	12							••Plug		
11	VOE13949762	12							•••O-ring		
12	VOE14025455	12							••Cylinder Pin		
13	VOE479204	6							•Inlet valve		
14	VOE467855	6							•Exhaust Valve		
15	VOE467334	12							•Valve Spring		
16	VOE467335	12							•Valve Spring		
17	VOE467506	12							•Washer		
18	VOE468305	24							•Valve Collet		
19	VOE478074	12							•Valve Cap		
20	VOE941876	12							•Plug		
21	VOE7018666	12							•Gasket		
22	VOE417135	12							Protecting Ring		
23	VOE270789	6							Gasket Kit		
24	VOE422413	6							•Sealing ring		OD = 11 MM
25	VOE422414	12							•Sealing ring		OD = 32 MM
26	VOE422415	12							•Sealing ring		OD = 18 MM
27	VOE422086	24							Screw		
28	VOE479260	6							Gasket		

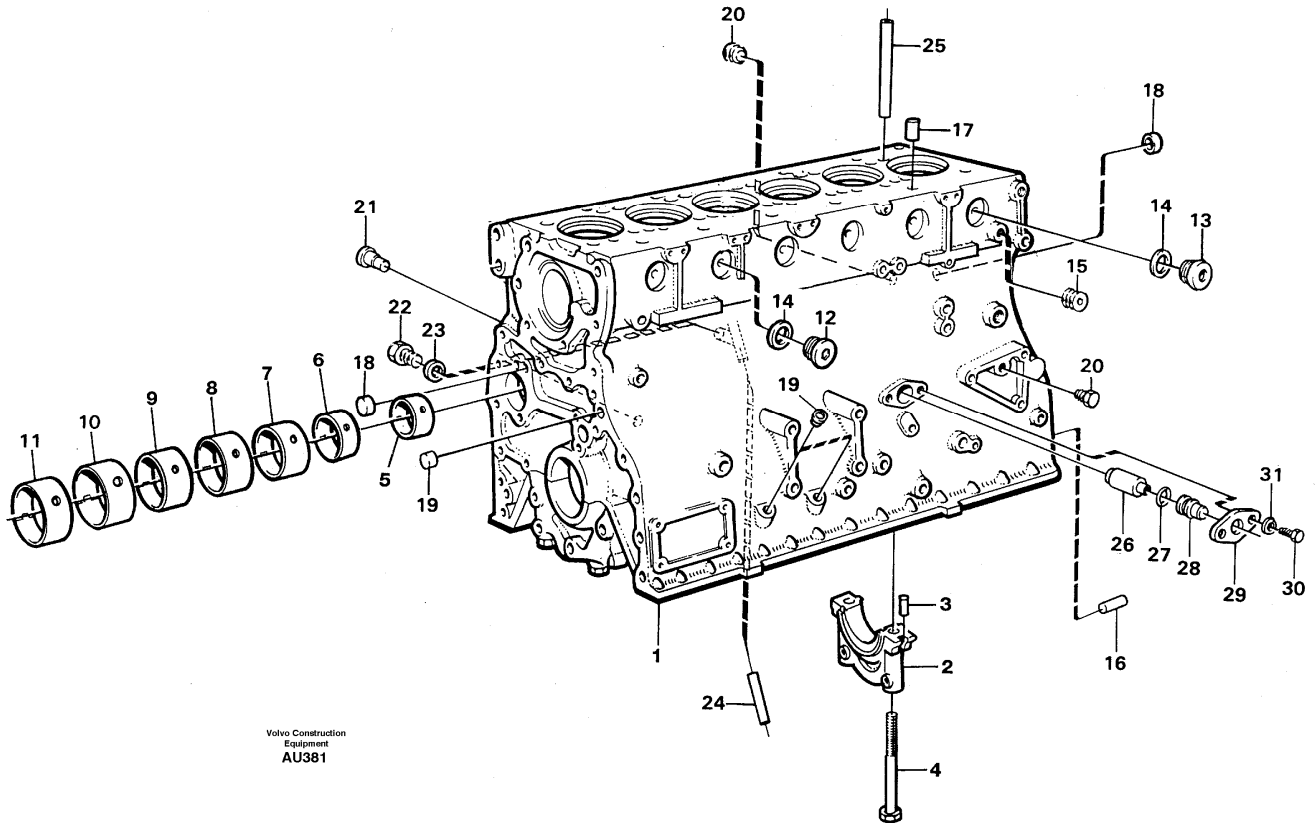
Date: 2014/3/5	Image id: AU121B	Catalogue: 97786	Model: L150C LB
Brand: Volvo	Serial: 2768-10000	Group/Section: 212/100	Title: Cylinder block



Pos	Part	Q1	Q2	Q3	Q4	Q5	PS	Kit	Description	Option(s)	Remark
1		1							Cylinder block		See ref 212/150
2	VOE180761	1							Plug		
3	VOE7011996	1							Gasket		

4	VOE479954	1							Nipple		
5	VOE949918	1							Crane		
5A	VOE13966723	1							•Nipple		
6	VOE422550	1							Fitting		
7	VOE468463	1							Gasket		
8	VOE14025455	12							Cylinder Pin		
9	VOE13947814	1							Plug		(VOE947814)
10	VOE11039249	1							Press Monitor		SE16
11	VOE479977	1							Plug		
12	VOE11162793	1							Lifting eye		(VOE11031328)
13	VOE955561	2							Hexagon screw		
14	VOE940280	2							Spring Washer		
15	VOE422321	1							Lifting eye		RH
16	VOE955561	2							Hexagon screw		
17	VOE940280	2							Spring Washer		
18	VOE422322	1							Lifting eye		LH
19	VOE955561	1							Hexagon screw		L = 32 MM
	VOE955564	1							Screw		L = 51 MM
20	VOE940280	2							Spring Washer		
21	VOE423120	2							Hatch		
22	VOE423121	1							Hatch		
23	VOE469823	3							Gasket		
24	VOE422541	6							Screw		
25	VOE471856	6							Sealing ring		
26	VOE422542	1							Splash Plate		
27	VOE422836	1					SS		Piston Cooling Valve		ENG - 295595
	VOE8125388	1							Piston Cooling Valve		ENG 295596 -
28	VOE13949656	1							O-ring		
29		1							Flange		See ref 212/150
30	VOE864374	6							Pstn Cool Jet		
31	VOE13948587	6							Lock Screw		(VOE 948587)

Date: 2014/3/5	Image id: AU381	Catalogue: 97786	Model: L150C LB
Brand: Volvo	Serial: 2768-10000	Group/Section: 212/150	Title: Cylinder block

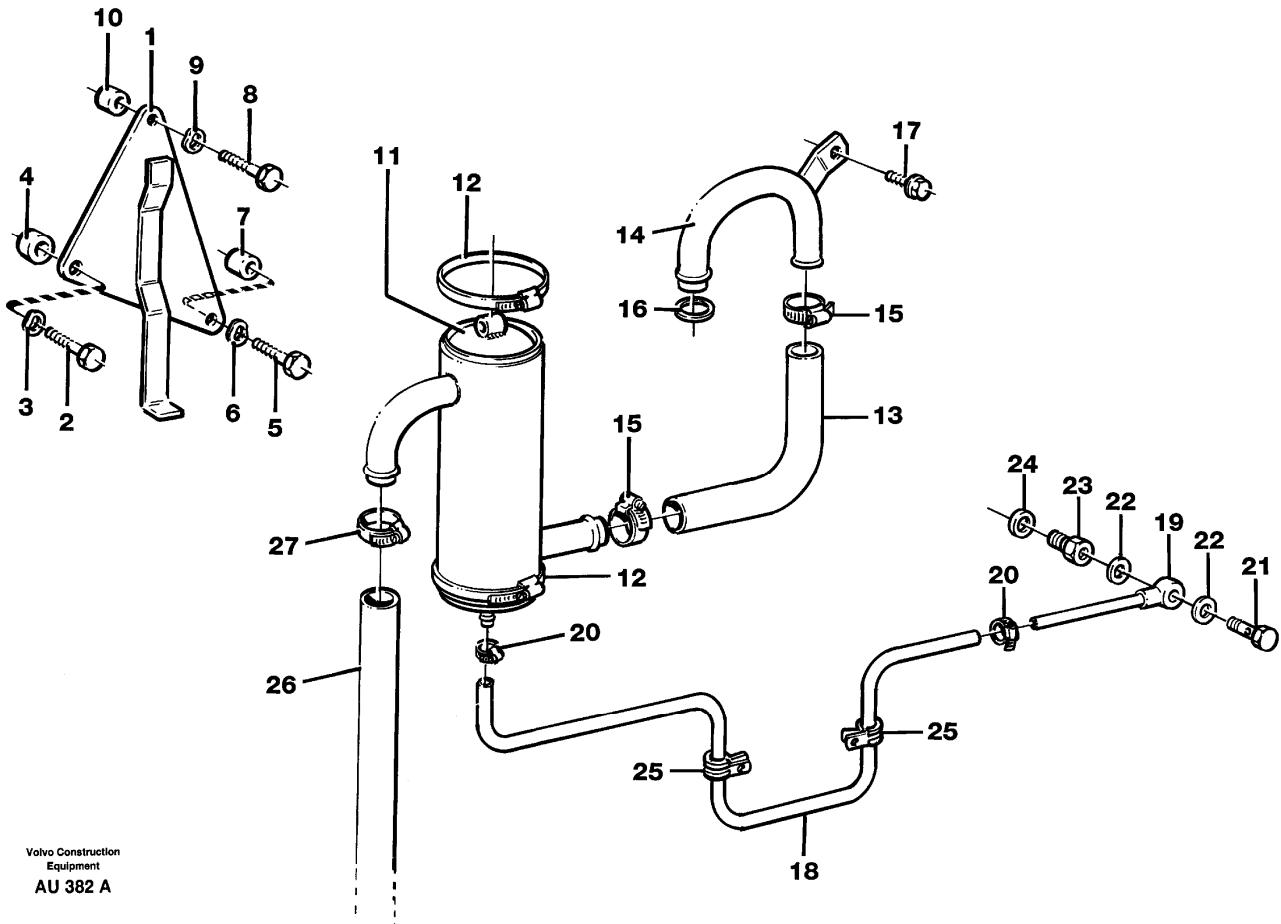


Pos	Part	Q1	Q2	Q3	Q4	Q5	PS	Kit	Description	Option(s)	Remark
	VOE479650	1					SS		Cylinder block		See footnote 1206)
1	VOE479651	1					NS		•Cylinder block		
2		7					NS		•Cap		
3	VOE422426	1							•Pin		
4	VOE7422067	14							•Screw		
5	VOE422076	1							•Bushing		
6	VOE422077	1							•Bushing		
7	VOE422078	1							•Bushing		
8	VOE11000014	1							•Bushing		
9	VOE422080	1							•Bushing		
10	VOE422081	1							•Bushing		
11	VOE422082	1							•Bushing		
12	VOE467367	5							•Plug		
13	VOE821335	1							•Plug		
14	VOE1556907	6							•Gasket		(VOE 469328)
15	VOE952075	1							•Plug		
16	VOE191171	2							•Pin		

17	VOE14025455	12							•Cylinder Pin		
18	VOE13955083	2							•Cap plug		(VOE955083)
19	VOE955082	4							•Cap plug		
20	VOE479979	7							•Plug		
21	VOE422369	2							•Plug		
22	VOE13961892	1							•Plug		(VOE 961892)
23	VOE13947621	1							•Plane gasket		
24	VOE468563	1					NS		•Tube assembly		
25	VOE421068	1					NS		•Tube assembly		
26	VOE424801	1							•Tube		See footnote 1206)
27	VOE13949657	1							•O-ring		(VOE 949657)
28	VOE424715	1							•Plug		
29	VOE424714	1							•Flange		
30	VOE955513	2							•Hexagon screw		
31	VOE13941906	2							•Washer		(VOE 941906)

1206) When ordering cylinder block, O-ring 13949656 and valve 422836 must also be ordering plus fitted.

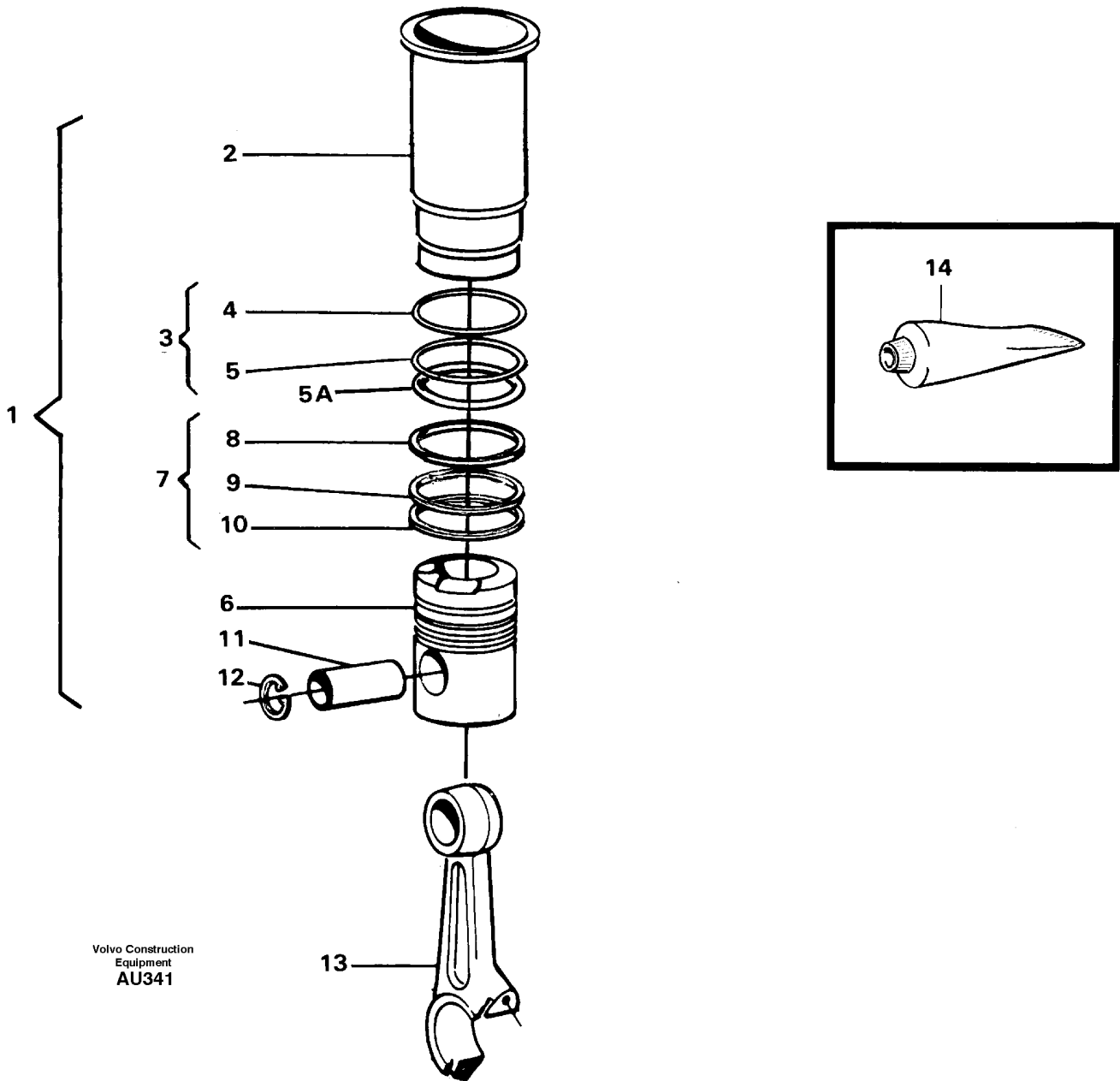
Date: 2014/3/5	Image id: AU382A	Catalogue: 97786	Model: L150C LB
Brand: Volvo	Serial: 2768-10000	Group/Section: 212/200	Title: Crankcase ventilation.



Pos	Part	Q1	Q2	Q3	Q4	Q5	PS	Kit	Description	Option(s)	Remark
1	VOE11031267	1							Bracket		
2	VOE955564	1							Hexagon screw		
3	VOE940280	1							Spring washer		
4	VOE1678297	1							Spacer sleeve		
5	VOE13940162	1							Screw		(VOE 940162)
6	VOE13942336	1							Spring washer		(VOE 942336)
7	VOE821540	1							Spacer sleeve		
8	VOE955536	1							Hexagon screw		
9	VOE13942336	1							Spring washer		(VOE 942336)
10	VOE824248	1							Spacer sleeve		
11	VOE11033878	1							Oil trap		
12	VOE943483	2							Hose clamp		
13	VOE11031305	1							Hose		
14	VOE11031304	1							Tube		

15	VOE943475	2							Hose clamp		
16	VOE421158	1							Sealing ring		
17	VOE942402	1							Flange screw		
18	VOE983342	REQ							Hose		L = 1000 MM
19	VOE837608	1							Fuel pipe		
20	VOE943470	2							Hose clamp		
21	VOE7025167	1							Hollow screw		
22	VOE976929	2							Gasket		(VOE 969011)
23	VOE11031931	1							Reduction nipple		
24	VOE13947625	1							Plane gasket		(VOE18818)
25	VOE942810	2							Clamp		
26	VOE927661	REQ							Rubber hose		L = 700 MM
27	VOE943475	1							Hose clamp		

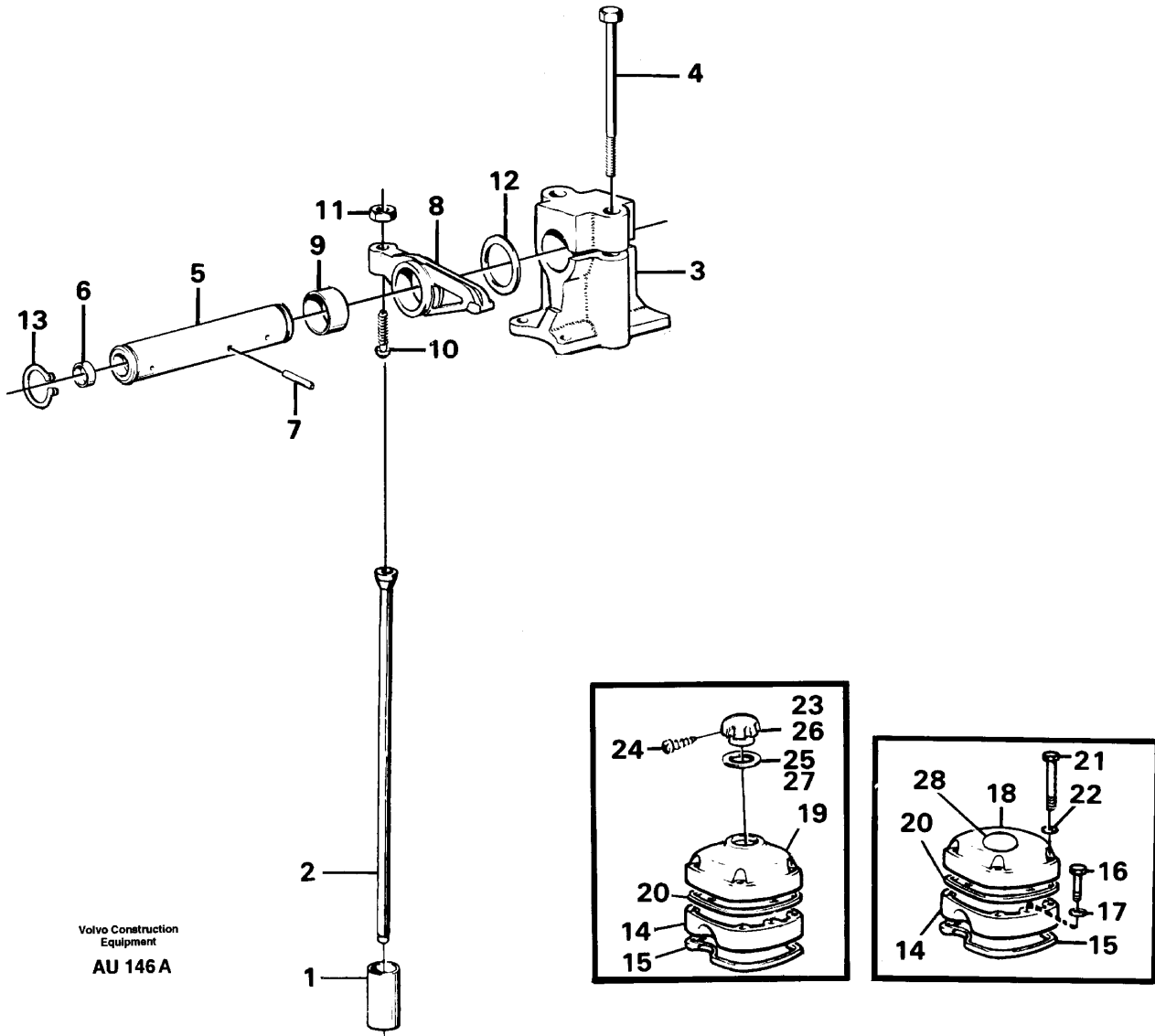
Date: 2014/3/5	Image id: AU341	Catalogue: 97786	Model: L150C LB
Brand: Volvo	Serial: 2768-10000	Group/Section: 213/100	Title: Cylinder liner



Pos	Part	Q1	Q2	Q3	Q4	Q5	PS	Kit	Description	Option(s)	Remark
1	VOE276859	6							Cylinder liner kit		
2	VOE479380	6					NS		•Cylinder liner		
3	VOE271157	6							•Sealing Kit		
4	VOE422713	6					NS		••Sealing ring		Upper / övre
5	VOE1546229	6					NS		••Sealing ring		Centre / mitten
5A	VOE424832	6					NS		••Sealing ring		Lower / nedre
6	VOE8194470	6					NS		•Piston		

7	VOE276197	6							•Piston Ring Kit		
8	VOE479445	6					NS		••Compression ring		
9	VOE864510	6					NS		••Compression ring		
10	VOE422617	6					NS		••Oil scraper ring		
	VOE467479	6					NS		••Expansion ring		
11	VOE8194586	6							•Piston Pin		(VOE 479874)
12	VOE914529	12							•Snap Ring		
13		1							Connecting rod		See ref 216/100
14	VOE1161277	REQ							Sealant		20 G
	VOE11713514	REQ							Sealant		(VOE1161231)304 ml

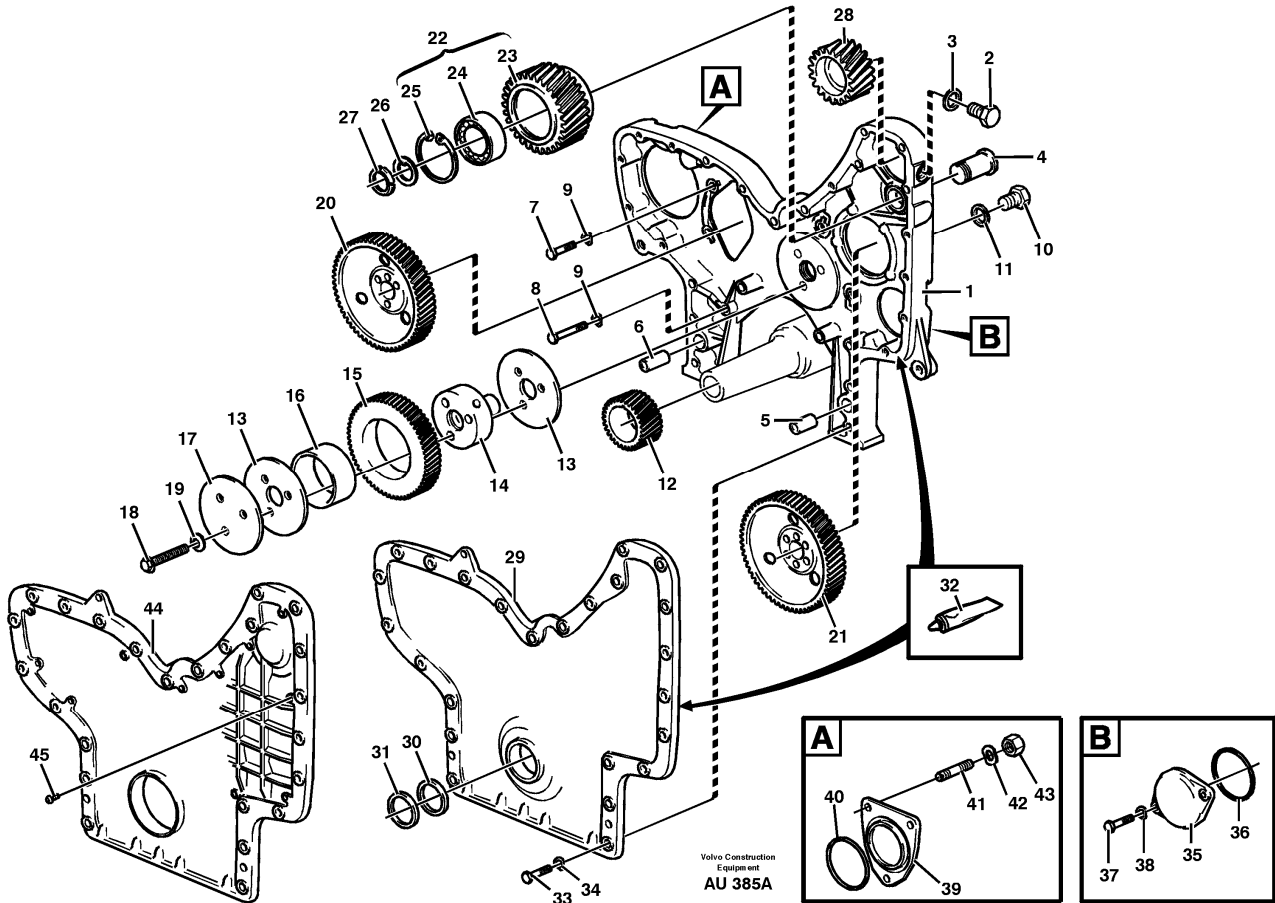
Date: 2014/3/5	Image id: AU146A	Catalogue: 97786	Model: L150C LB
Brand: Volvo	Serial: 2768-10000	Group/Section: 214/100	Title: Valve mechanism



Pos	Part	Q1	Q2	Q3	Q4	Q5	PS	Kit	Description	Option(s)	Remark
1	VOE479863	12							Tappet		
2	VOE467820	12							Push rod		(VOE467820)
3	VOE422018	6							Bearing Bracket		
4	VOE7422428	12							Screw		
5	VOE422019	6							Rocker arm shaft		
6	VOE946778	12							•Cap plug		
7	VOE950499	6							•Pin		
8	VOE422063	12							Rocker arm		

9	VOE422066	12							•Bushing		
10	VOE422993	12							•Bolt		
11	VOE940175	12							•Nut		
12	VOE941488	12							Washer		
13	VOE914459	12							Retaining ring		
14	VOE469431	6							Cover		
15	VOE424693	6							Gasket		
16	VOE13940159	12							Screw		(VOE 940159)
17	VOE13955894	12							Washer		(VOE 955894)
18	VOE469432	5							Cover		
19	VOE469457	1							Cover		
20	VOE424694	6							Gasket		
21	VOE955530	24							Hexagon screw		
22	VOE13941907	24							Washer		(VOE 941907)
23	VOE421753	1							Filler cap		ENG - 297782
24	VOE955126	3							•Cross recessed screw		ENG - 297782
25	VOE1275379	1							Gasket		(VOE940096)ENG - 297782
26	VOE421753	1							Filler cap		ENG 297783 -
27	VOE1275379	1							Gasket		(VOE940096)ENG 297783 -
28	VOE417649	1							Sign		

Date: 2014/3/5	Image id: AU385A	Catalogue: 97786	Model: L150C LB
Brand: Volvo	Serial: 2768-10000	Group/Section: 215/150	Title: Timing gear casing and gears.

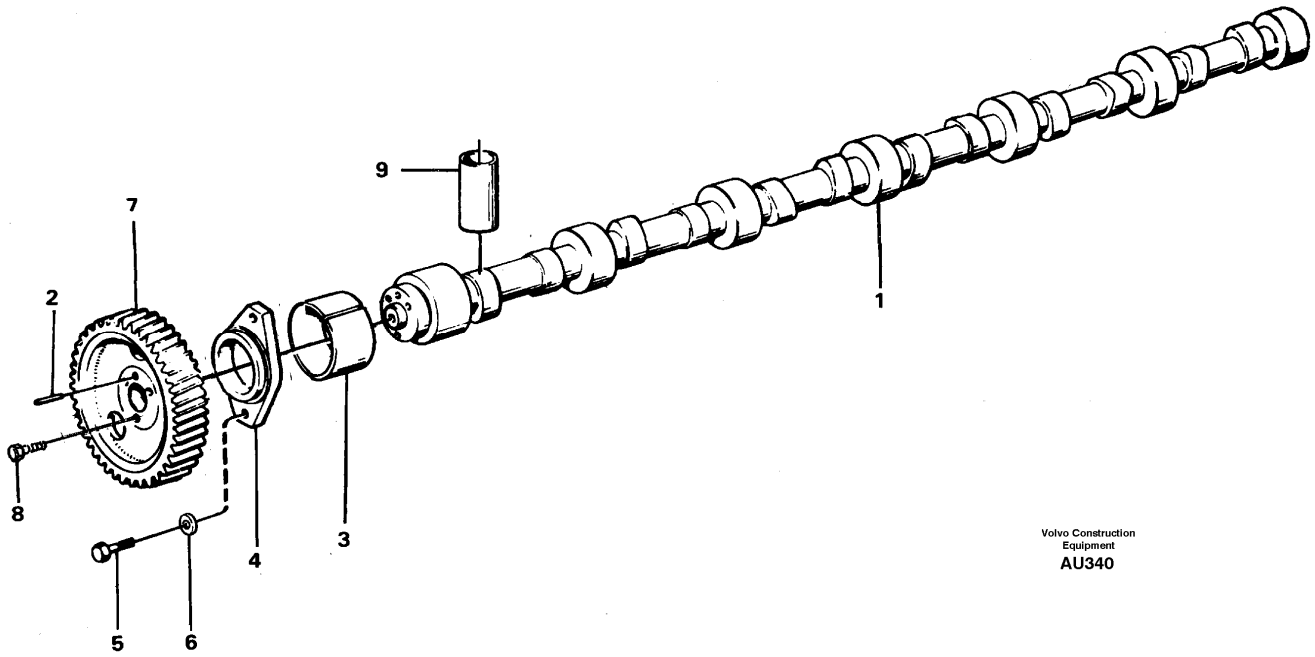


Q1-Q5	Option	Option description	
Q1 8188141			
Q2 8188144			

Pos	Part	Q1	Q2	Q3	Q4	Q5	PS	Kit	Description	Option(s)	Remark
1	VOE479666	1	1				SS		Tmg Gear Casing		
	VOE8194639	1	1						Tmg Gear Casing		
2	VOE13960633	2	2						•Plug		(VOE 960633)
3	VOE13947625	2	2						•Plane Gasket		(VOE 947625)
4	VOE470219	1	1				SS		•Pin		ENG - 302126
	VOE8194626	1	1						•Pin		ENG 302127 -
5	VOE13941510	1	1						•Pin		(VOE 941510)
6	VOE13941511	1	1						•Pin		(VOE 941511)
7	VOE941939	4	4						Screw		
8	VOE955537	1	1						Screw		

9	VOE13942336	5	5					Spring Washer		(VOE 942336)
10	VOE7192114	1	1					Plug		
11	VOE13947627	1	1					Plane Gasket		(VOE 947627)
12		1	1					Gear, crank shaft		See ref 216/100
13	VOE478951	2	2					Thrust Washer		
14	VOE8192636	1	1					Bearing spindle		(VOE479779)
15	VOE479653	1	1					Idler Gear		
16	VOE479687	1	1					•Bushing		
17	VOE478954	1	1					Bearing Shield		
18	VOE468738	3	3					Screw		
19	VOE942180	3	3					Disc Spring		
20		1	1					Gear, camshaft		See ref 215/200
21		1	1					Gear, injection pump		See ref 236/175
22	VOE478959	1	1					Idler Gear		
23	VOE478773	1	1				OP	•Idler Gear		
24	VOE478783	1	1					•Bearing		
25	VOE914532	1	1					•Snap Ring		
26	VOE470427	1	1					Wear Ring		ENG - 302126
27	VOE478955	1	1					Round Nut		
28		1	1					Gear, water pump		See ref 262/250
29	VOE11031091	1	1					Cover		
30	VOE941666	1	1					•Felt Ring		
31	VOE424983	1	1					•Sealing ring		
32	VOE1161277	REQ	REQ					Sealant		20 GRAM
	VOE11713514	REQ	REQ					Sealant		(VOE1161231)304 ml
33	VOE13940162	9						Screw		L = 38 MM
	VOE13940162		10					Screw		L = 38 MM
	VOE955540	2	2					Screw		L = 70 MM
	VOE955542	8						Screw		L = 83 MM
	VOE955542		10					Screw		L = 83 MM
34	VOE13942336	19						Spring Washer		
	VOE13942336		20					Spring Washer		
35	VOE468093	1	1					Cover		
36	VOE468094	1	1					Sealing ring		
37	VOE955535	2	2					Hexagon screw		
38	VOE13942336	2	2					Spring Washer		(VOE 942336)
39	VOE420178	1	1					Cover		
40	VOE13975610	1	1					O-ring		(VOE 975610)
41	VOE953346	3	3					Stud		
42	VOE941911	3	3					Spring Washer		
43	VOE13955828	3	3					Nut		(VOE 955828)
44	VOE479652	1	1					Noise Shield		
45	VOE13972542	16	16					•Screw		(VOE972541)

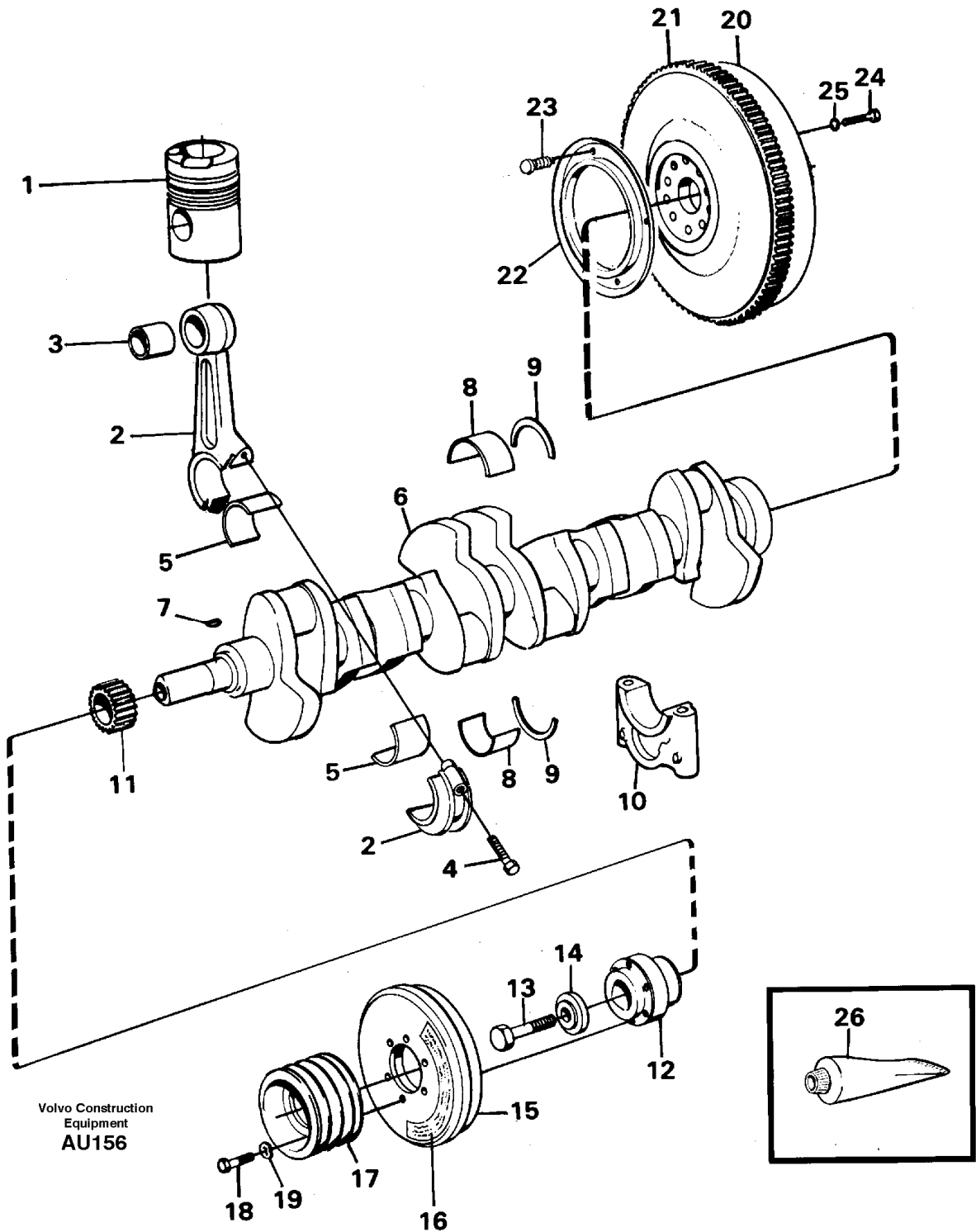
Date: 2014/3/5	Image id: AU340	Catalogue: 97786	Model: L150C LB
Brand: Volvo	Serial: 2768-10000	Group/Section: 215/200	Title: Camshaft



Volvo Construction
Equipment
AU340

Pos	Part	Q1	Q2	Q3	Q4	Q5	PS	Kit	Description	Option(s)	Remark
1	VOE8194480	1							Camshaft		
2	VOE950588	1							•Pin		
3		7							Bushing		See ref 212/150
4	VOE465789	1							Flange		(VOE469324)
5	VOE13940115	2							Screw		(VOE 940115)
6	VOE13942336	2							Spring washer		(VOE 942336)
7	VOE478297	1							Gear		
8	VOE471555	3							Screw		
9		12							Tappet		See ref 214/100

Date: 2014/3/5	Image id: AU156	Catalogue: 97786	Model: L150C LB
Brand: Volvo	Serial: 2768-10000	Group/Section: 216/100	Title: Crankshaft and related parts



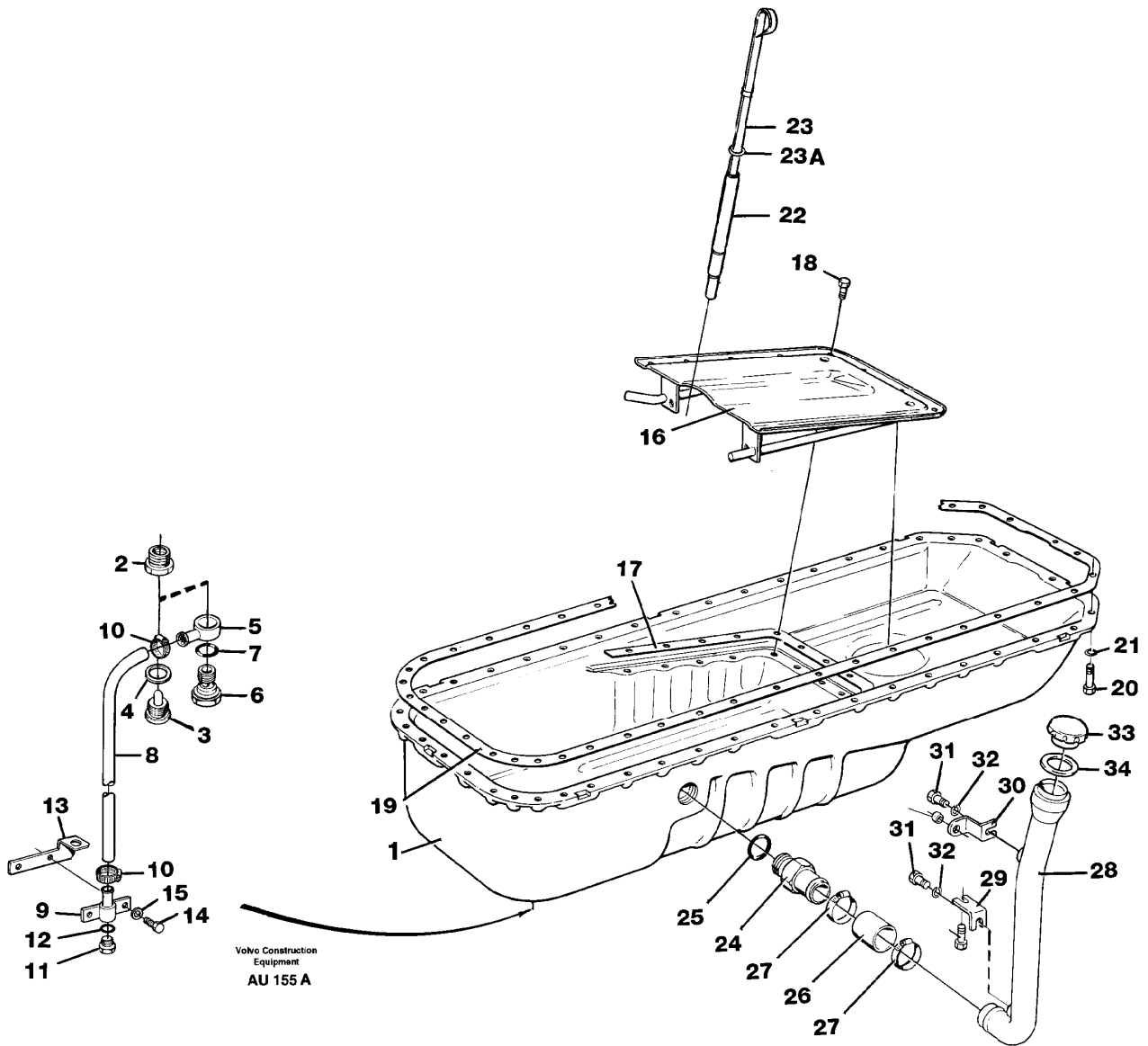
Pos	Part	Q1	Q2	Q3	Q4	Q5	PS	Kit	Description	Option(s)	Remark
1		6							Piston		See ref 213/100

2	VOE422706	6						Connecting Rod		
3	VOE422708	6						•Bushing		
4	VOE1545479	12						•Screw		
5	VOE270124	6						Big End Brg Kit		STD
	VOE270125	6						Big End Brg Kit		0,25 MM U SZ
	VOE270126	6						Big End Brg Kit		0,50 MM U SZ
	VOE270127	6						Big End Brg Kit		0,75 MM U SZ
	VOE270128	6						Big End Brg Kit		1,00 MM U SZ
6	VOE20381957	1						Crankshaft		(VOE8194304)
7	VOE422253	1						•Key		
8	VOE270438	7						Mn Bearing Kit		STD
	VOE270439	7						Mn Bearing Kit		0,010 INCH U SZ
	VOE270440	7						Mn Bearing Kit		0,020 INCH U SZ
	VOE270441	7						Mn Bearing Kit		0,030 INCH U SZ
	VOE270442	7						Mn Bearing Kit		0,040 INCH U SZ
	VOE270443	7						Mn Bearing Kit		0,050 INCH U SZ
9	VOE276758	1						Thr Washer Kit		STD, (7276758)
	VOE276759	1						Thr Washer Kit		0,1 MM O SZ
	VOE276760	1						Thr Washer Kit		(VOE7276760)0,2 MM O SZ
	VOE276761	1						Thr Washer Kit		0,3 MM O SZ (7276761)
10		7					NS	Cap		
11	VOE423080	1						Gear		
12	VOE478506	1					SS	Hub		
13	VOE941494	1						Screw		
14	VOE422124	1						Washer		
15	VOE422924	1						Vib Damper		
16	VOE467834	1						Sign		
17	VOE1545284	1						Pulley		See footnote 1239)
	VOE468187	1						Pulley		See footnote 1240)
18	VOE955550	6						Hexagon screw		See footnote 1239)
	VOE955549	6						Screw		See footnote 1240)
19	VOE13941909	6						Washer		(VOE941909)
20	VOE11031833	1						Flywheel		
21	VOE420794	1						•Gear Ring		
22	VOE11031772	1						•Oil Dftr Ring		
23	VOE13905650	4						•Drive Screw		(VOE 905650)
24	VOE478717	14						Screw		
25	VOE467773	14						Washer		
26	VOE1161277	REQ						Sealant		20 GRAM
	VOE11713514	REQ						Sealant		(VOE1161231)304 ml

1239) STD SER NO - 3110, 3112 - 3136, 3138 - 4000, SER NO - 61500 USA.

1240) STD SER NO 3111, 3137, 4001 -. SER NO 61501 - USA.

Date: 2014/3/5	Image id: AU155A	Catalogue: 97786	Model: L150C LB
Brand: Volvo	Serial: 2768-10000	Group/Section: 217/100	Title: Oil sump

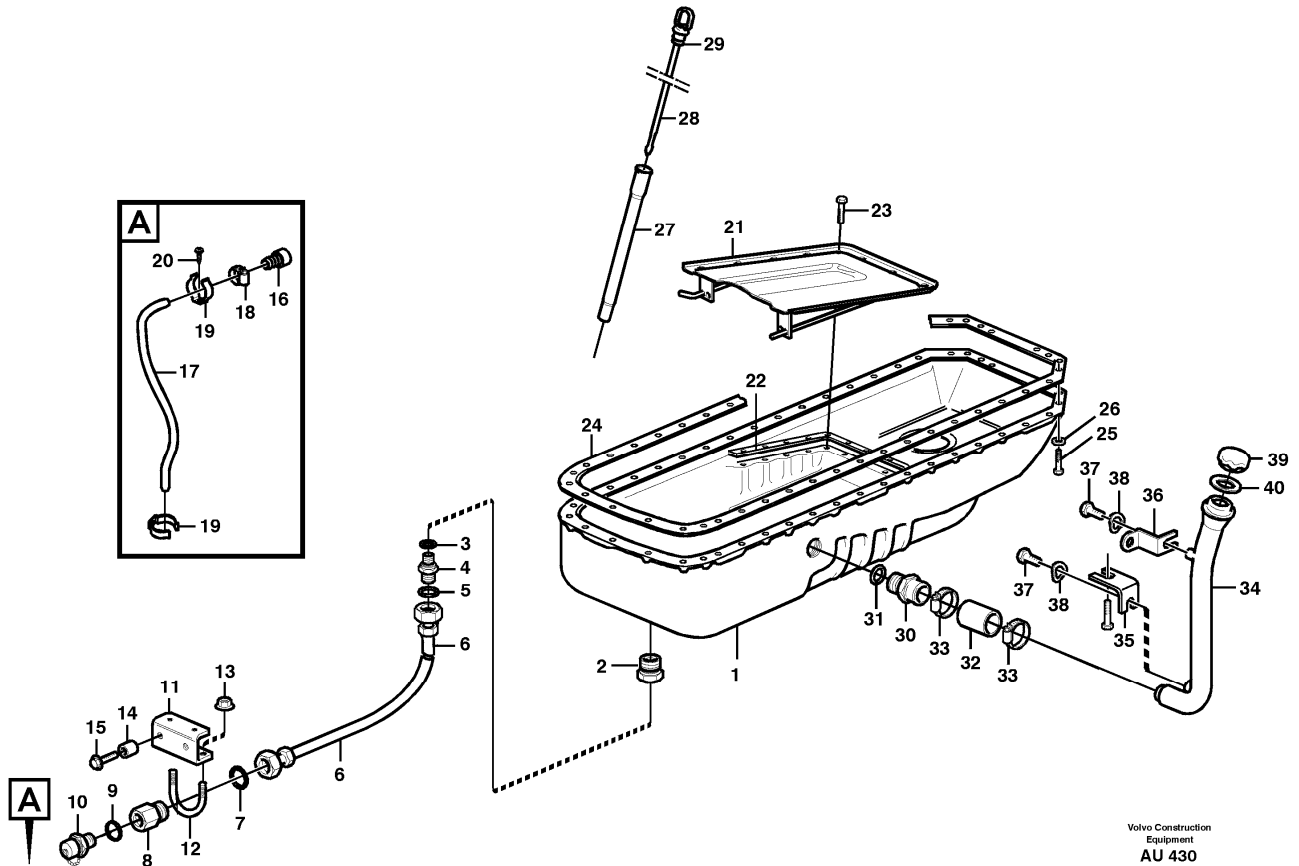


Section footnote 1239) STD SER NO - 3110, 3112 - 3136, 3138 - 4000, SER NO - 61500 USA.

Pos	Part	Q1	Q2	Q3	Q4	Q5	PS	Kit	Description	Option(s)	Remark
1	VOE11031046	1							Oil pan		
2	VOE4771546	1							•Nipple		
3	VOE13949175	1							Magnetic plug		(VOE 949175)
4	VOE949329	1							Gasket		
5	VOE4761859	1							Oil draining pipe		
6	VOE11024182	1							Hollow screw		
7	VOE13955997	2							O-ring		(VOE955997)

8	VOE13961191	REQ							Hydraulic hose		L = 450 MM
9	VOE4850236	1							Nipple		
10	VOE13943472	2							Hose clamp		(VOE943472)
11	VOE926370	1							Plug		
12	VOE13949574	1							O-ring		(VOE 949574)
13		1							Bracket		See ref 491/100
14	VOE13955295	2							Screw		(VOE955295)
15	VOE13941907	2							Washer		(VOE941907)
16	VOE11031240	1							Baffle plate		
17	VOE11031009	1							Gasket		
18	VOE942402	11							Flange screw		
19	VOE1545696	1							Gasket		(VOE11031047)
20	VOE13940159	2							Screw		L = 32 MM
	VOE955525	1							Hexagon screw		L = 25 MM
	VOE940186	39							Hexagon screw		L = 38 MM
21	VOE13955894	40							Washer		(VOE 955894)
22	VOE4772103	1							Tube		
23	VOE4772191	1							Dipstick		
23A	VOE925054	1							•O-ring		
24	VOE4776353	1							Nipple		
25	VOE925064	1							O-ring		
26	VOE942711	REQ							Hose		L = 45 MM
27	VOE943478	2							Hose clamp		
28	VOE822885	1							Filler pipe		
29	VOE4776924	1							Bracket		
30	VOE822890	1							Anchorage		
31	VOE13955523	2							Screw		(VOE 955523)
32	VOE13941907	2							Washer		(VOE941907)
33	VOE3547599	1					SS		Oil filler cap		(VOE 421753)
34	VOE1275379	1							•Gasket		(VOE940096)

Date: 2014/3/5	Image id: AU430	Catalogue: 97786	Model: L150C LB
Brand: Volvo	Serial: 2768-10000	Group/Section: 217/150	Title: Oil sump

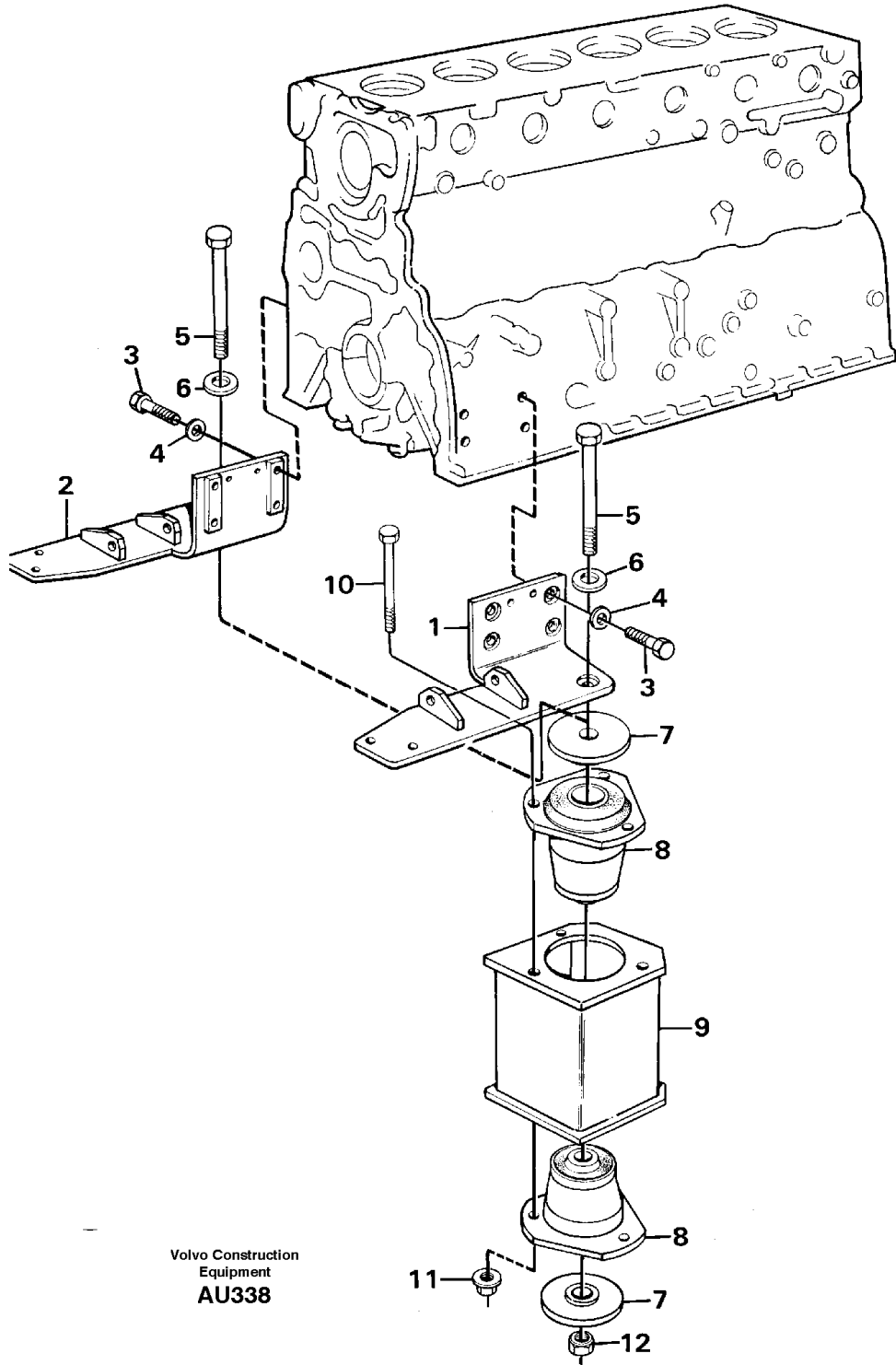


Section footnote 1240) STD SER NO 3111, 3137, 4001 -. SER NO 61501 - USA.

Pos	Part	Q1	Q2	Q3	Q4	Q5	PS	Kit	Description	Option(s)	Remark
1	VOE11031046	1							Oil pan		
2	VOE4771546	1							•Nipple		
3	VOE949329	1							Gasket		
4	VOE11130084	1							Nipple		
5	VOE981289	1							O-ring		
6	VOE13933884	1							Hose assembly		L = 650 MM
7	VOE981289	1							O-ring		
8	VOE11130085	1							Nipple		
9	VOE949329	1							Gasket		
10	VOE11054692	1							Valve		
11	VOE11130593	1							Bracket		
12	VOE11130269	1							Clamp		
13	VOE13945408	2							Nut		(VOE 945408)
14	VOE4973473	2							Spacer sleeve		

15	VOE13947760	2						Screw		(VOE 947760)
16	VOE11054659	1						Connector		
17	VOE11000285	REQ						Rubber hose		L = 500 MM SER NO - 4037 SER NO - 61530 USA
	VOE11027418	1						Hose		L = 500 MM SER NO 4038 - SER NO 61531 - USA
18	VOE943473	1						Hose clamp		
19	VOE11130360	2						Spring clamp		SER NO - 4354 SER NO - 61634 USA
20	VOE969464	2						Six point socket screw		SER NO - 4354 SER NO - 61634 USA
21	VOE11031240	1						Baffle plate		
22	VOE11031009	1						Gasket		
23	VOE942402	11						Flange screw		
24	VOE1545696	1						Gasket		(VOE11031047)
25	VOE13940159	2						Screw		L = 32 MM
	VOE955525	1						Hexagon screw		L = 25 MM
	VOE940186	39						Hexagon screw		L = 38 MM
26	VOE13955894	40						Washer		(VOE 955894)
27	VOE4772103	1						Tube		
28	VOE4772191	1						Dipstick		
29	VOE925054	1						•O-ring		
30	VOE4776353	1						Nipple		
31	VOE925064	1						O-ring		
32	VOE942711	REQ						Hose		L = 45 MM
33	VOE943478	2						Hose clamp		
34	VOE822885	1						Filler pipe		
35	VOE4776924	1						Bracket		
36	VOE822890	1						Anchorage		
37	VOE13955523	2						Screw		(VOE 955523)
38	VOE13941907	2						Washer		(VOE941907)
39	VOE3547599	1					SS	Oil filler cap		(VOE 421753)
40	VOE1275379	1						•Gasket		(VOE940096)

Date: 2014/3/5	Image id: AU338	Catalogue: 97786	Model: L150C LB
Brand: Volvo	Serial: 2768-10000	Group/Section: 218/150	Title: Engine suspension.



Volvo Construction
Equipment
AU338

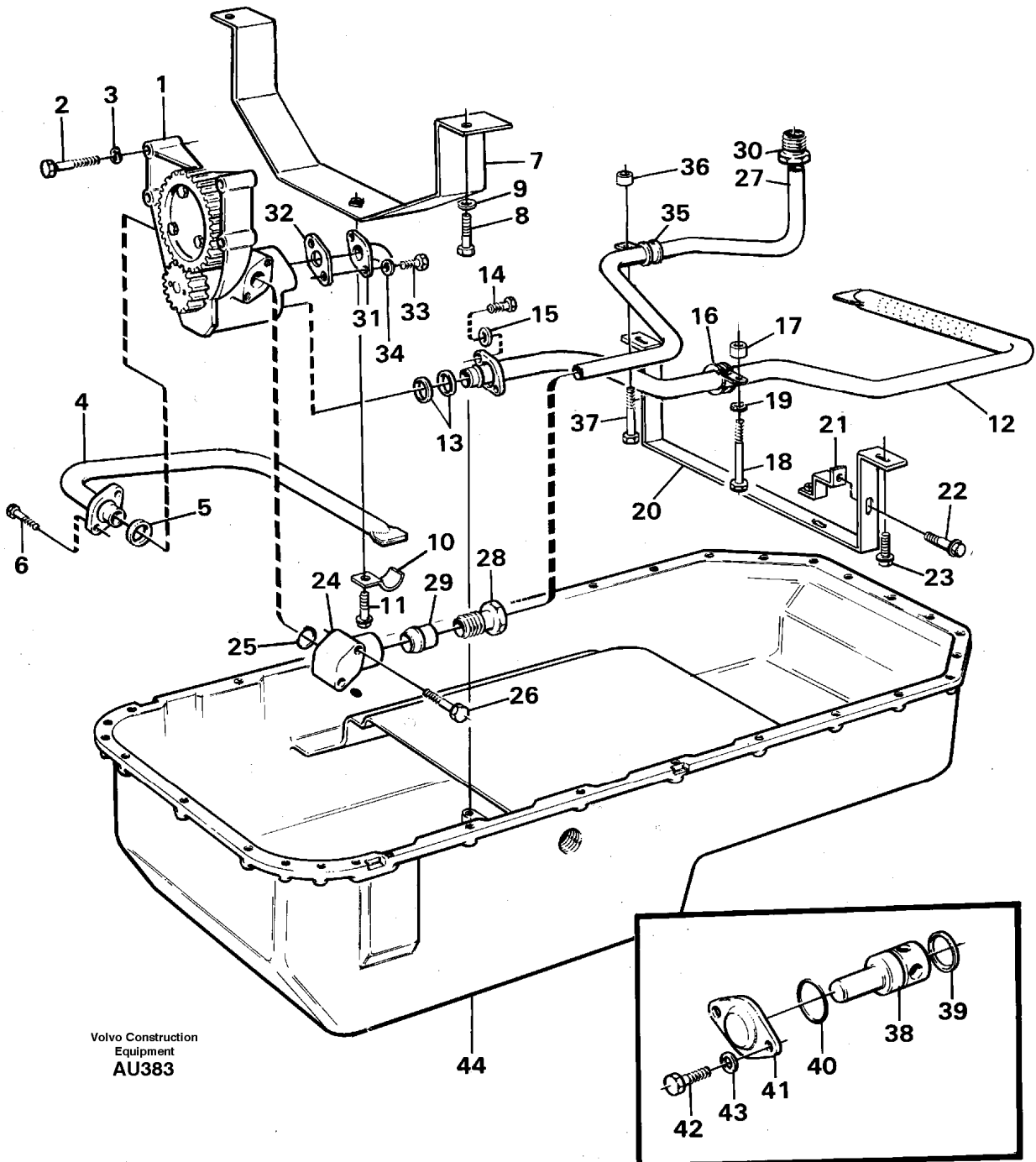
Pos	Part	Q1	Q2	Q3	Q4	Q5	PS	Kit	Description	Option(s)	Remark
1	VOE11024271	1							Anchorage		See footnote 1239) RH

	VOE11027282	1							Anchorage		See footnote 1240) RH
2	VOE11024272	1							Anchorage		See footnote 1239) LH
	VOE11027283	1							Anchorage		See footnote 1240) LH
3	VOE955581	8							Hexagon screw		
4	VOE930844	8							Washer		
5	VOE13980047	2							Screw		L = 220 MM
6	VOE11055609	2							Washer		(VOE930850)
7	VOE11075815	4							Washer		
8	VOE4880352	4							Rubber Damper		
9	VOE11152145	2							Spacer		
10	VOE970988	6							Hexagon screw		(VOE13970988)L = 160 MM
11	VOE971099	6							Flange Lock Nut		(VOE13971099)(VOE 971099)
12	VOE948835	2							Lock nut		

1239) STD SER NO - 3110, 3112 - 3136, 3138 - 4000, SER NO - 61500 USA.

1240) STD SER NO 3111, 3137, 4001 -. SER NO 61501 - USA.

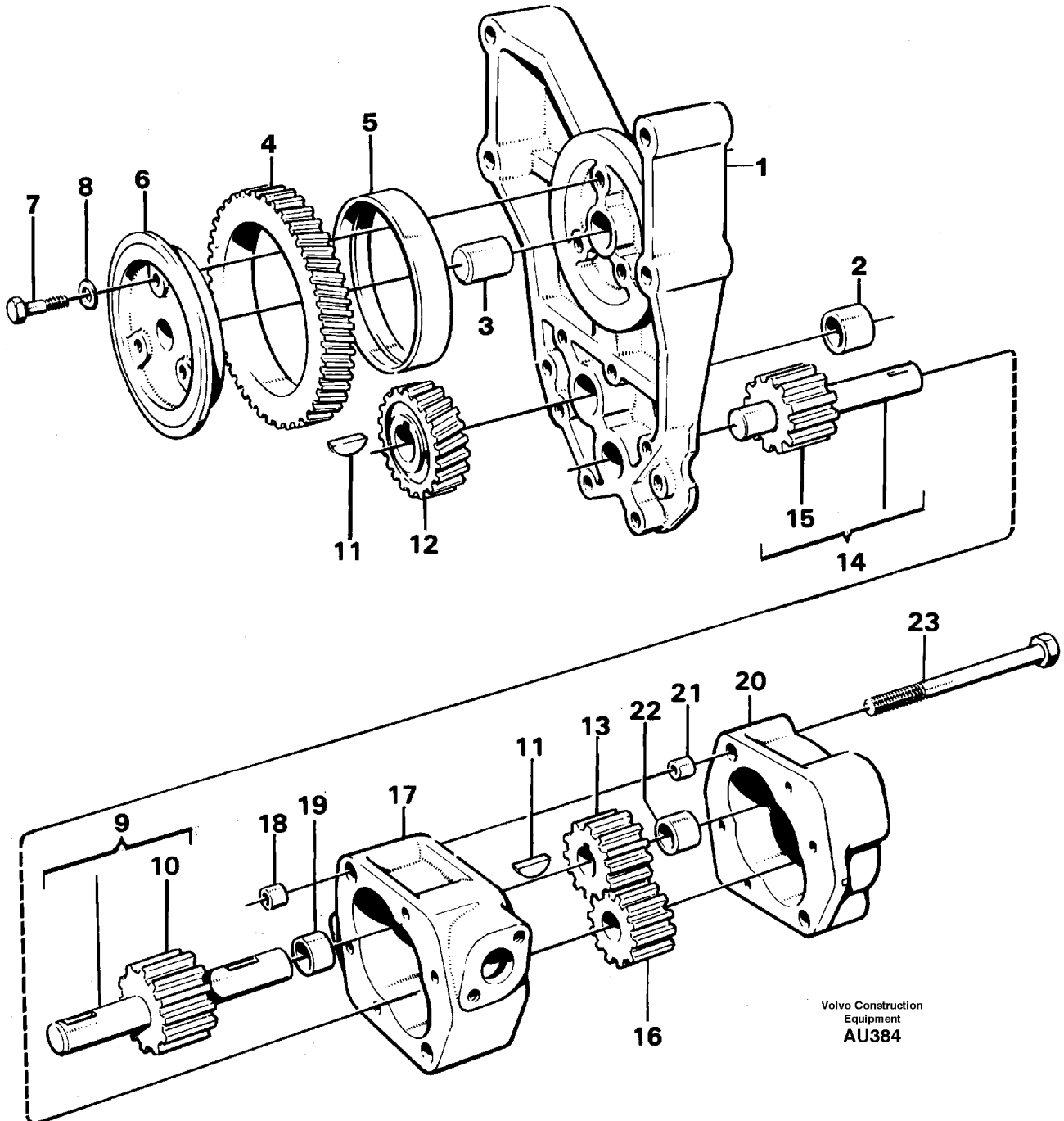
Date: 2014/3/5	Image id: AU383	Catalogue: 97786	Model: L150C LB
Brand: Volvo	Serial: 2768-10000	Group/Section: 221/150	Title: Lubricating system.



Volvo Construction
Equipment
AU383

Pos	Part	Q1	Q2	Q3	Q4	Q5	PS	Kit	Description	Option(s)	Remark
1	VOE11031607	1							Oil pump		See ref 221/250
2	VOE955538	4							Hexagon screw		
3	VOE13942336	4							Spring washer		(VOE 942336)
4	VOE11031197	1							Suction pipe		

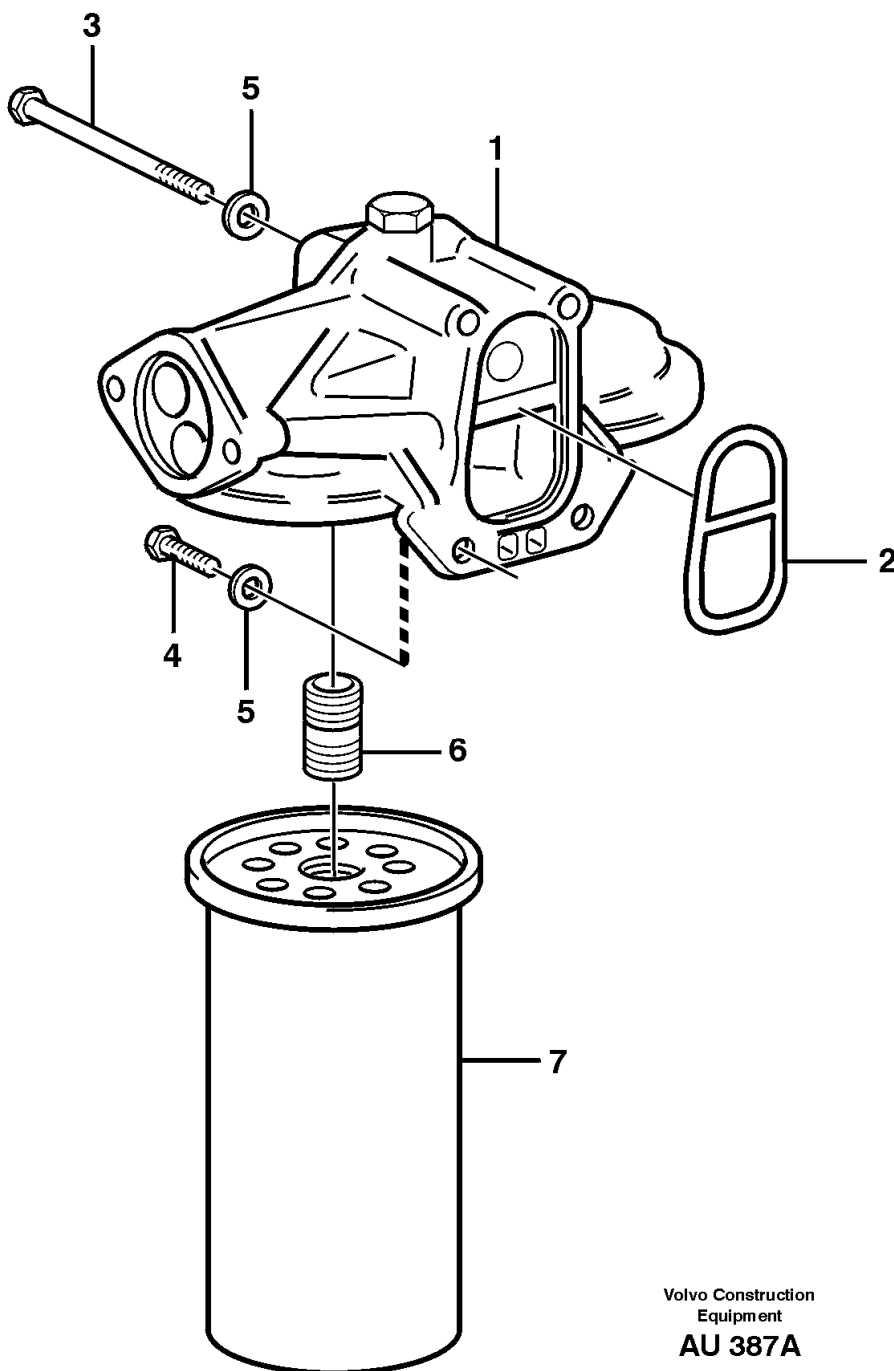
Date: 2014/3/5	Image id: AU384	Catalogue: 97786	Model: L150C LB
Brand: Volvo	Serial: 2768-10000	Group/Section: 221/250	Title: Oil pump



Pos	Part	Q1	Q2	Q3	Q4	Q5	PS	Kit	Description	Option(s)	Remark
	VOE11031607	1							Oil pump		
1	VOE470348	1					NS		•Bracket		
2	VOE470347	2						K	••Bushing		

3	VOE191171	1							••Pin		
4	VOE422047	1							•Idler gear		
5	VOE422314	1							••Bushing		
6	VOE422313	1							•Bearing sleeve		
7	VOE940186	3							•Hexagon screw		
8	VOE13941907	3						K	•Washer		(VOE 941907)
9	VOE4778319	1						K	•Shaft		
10	VOE470353	1							••Pump rotor		
11	VOE910115	3							•Woodruff key		
12	VOE470356	1							•Drive Gear		
13	VOE4778435	1							•Gear		
14	VOE4778325	1						K	•Shaft		
15	VOE470353	1							••Pump rotor		
16	VOE470353	1							•Pump rotor		
17	VOE11031606	1						NS	•Oil pump housing		
18	VOE401146	2							••Guide sleeve		
19	VOE469681	2							••Bearing Bushing		
20	VOE470344	1						NS	•Oil pump housing		
21	VOE401146	2							••Guide sleeve		
22	VOE470347	2						K	••Bushing		
23	VOE944446	2							•Hexagon screw		
	VOE11700221	1							Overhaul kit		

Date: 2014/3/5	Image id: AU387A	Catalogue: 97786	Model: L150C LB
Brand: Volvo	Serial: 2768-10000	Group/Section: 222/100	Title: Oil filter

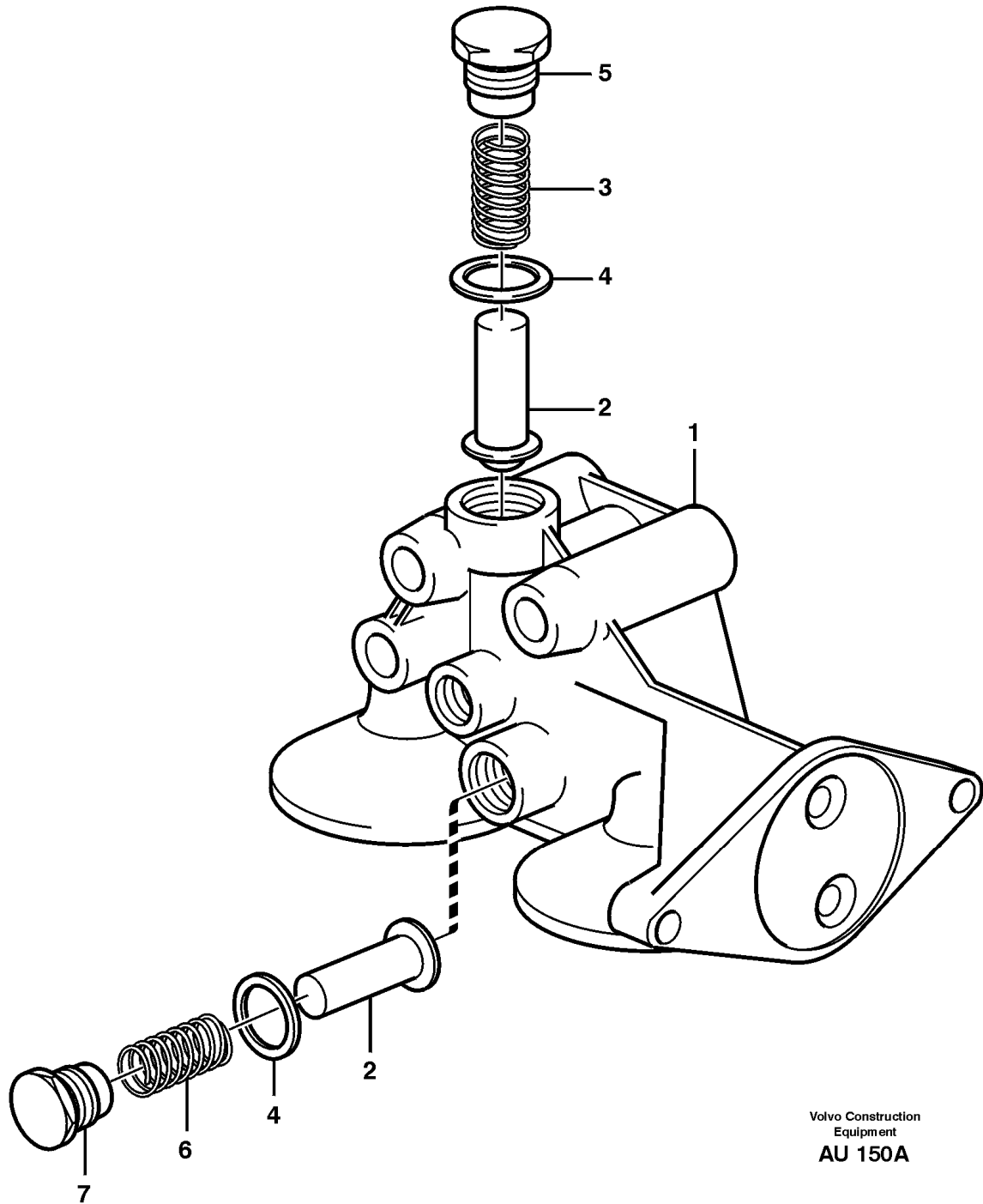


Volvo Construction
Equipment
AU 387A

Pos	Part	Q1	Q2	Q3	Q4	Q5	PS	Kit	Description	Option(s)	Remark
1		1							Oil filter housing		See ref 222/150

2	VOE469487	1							Gasket		
3	VOE955544	2							Hexagon screw		L = 102 MM
4	VOE940156	2							Hexagon screw		L = 89 MM
5	VOE13940097	4							Washer		(VOE940097)
6	VOE466623	2							Nipple		
7	VOE466634	2							Oil filter		
	VOE478736	2							Oil Filter		Long life filter

Date: 2014/3/5	Image id: AU150A	Catalogue: 97786	Model: L150C LB
Brand: Volvo	Serial: 2768-10000	Group/Section: 222/150	Title: Filter housing



Pos	Part	Q1	Q2	Q3	Q4	Q5	PS	Kit	Description	Option(s)	Remark
	VOE8194717	1							Oil filter housing		(VOE422811)



Suggest:

For more complete manuals. Please go to the home page.

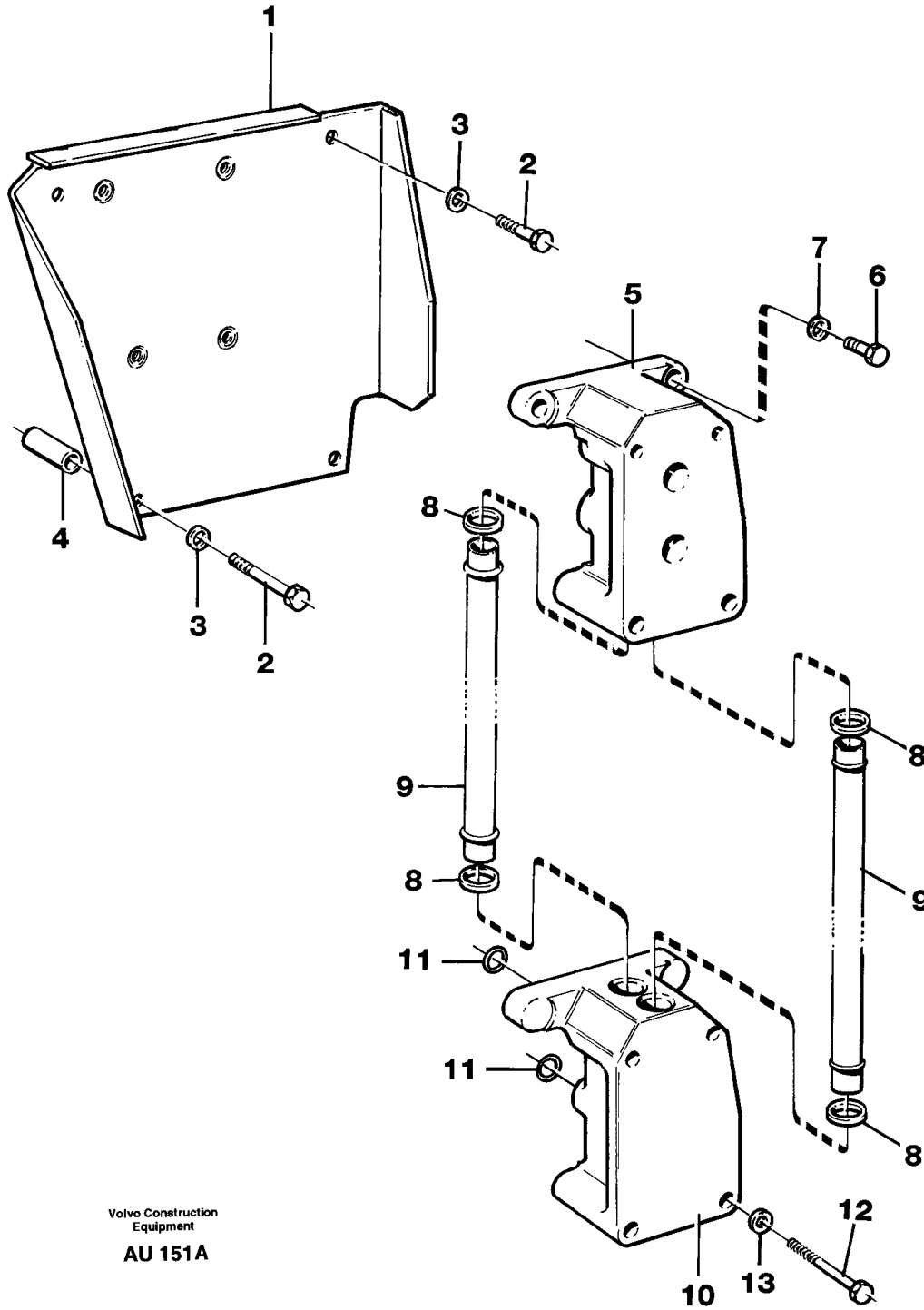
<https://www.ebooklibonline.com>

If the above button click is invalid. Please download this document first, and then click the above link to download the complete manual.

Thank you so much for reading

1	VOE1545769	1					NS		•Housing		
2	VOE471085	2							•Valve cone		
3	VOE466653	1							•Compression spring		
4	VOE957185	2							•Gasket		
5	VOE466624	1							•Plug		
6	VOE471775	1							•Compression spring		
7	VOE478176	1							•Plug		

Date: 2014/3/5	Image id: AU151A	Catalogue: 97786	Model: L150C LB
Brand: Volvo	Serial: 2768-10000	Group/Section: 222/200	Title: Distribution housing



Volvo Construction
Equipment
AU 151A

Pos	Part	Q1	Q2	Q3	Q4	Q5	PS	Kit	Description	Option(s)	Remark
1	VOE11031882	1							Bracket		

<https://www.ebooklibonline.com>

Hello dear friend!

Thank you very much for reading.

Enter the link into your browser.

The full manual is available for immediate download.

<https://www.ebooklibonline.com>