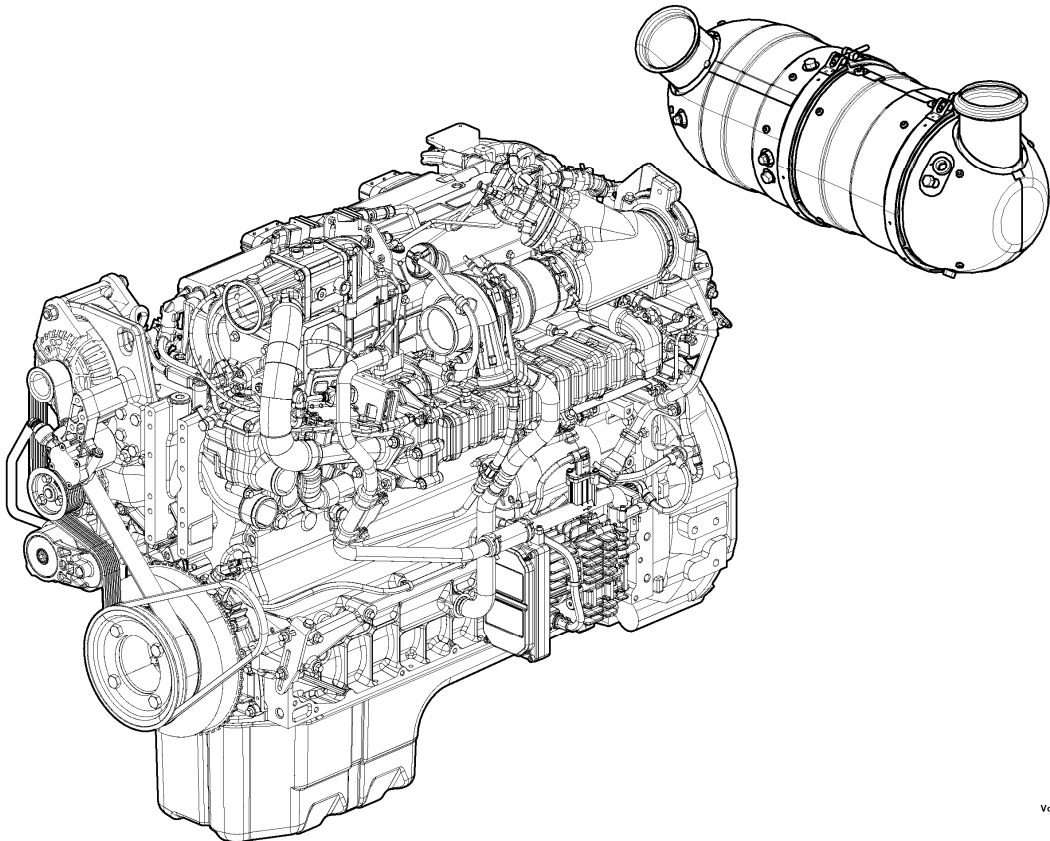


Date: <b>2014/2/20</b>	Image id: <b>1063852</b>	Catalogue: <b>20645</b>	Model: <b>L90G</b>
Brand: <b>Volvo</b>	Serial: <b>2008-</b>	Group/Section: <b>210/100</b>	Title: <b>Engine 85110, 85113</b>

1



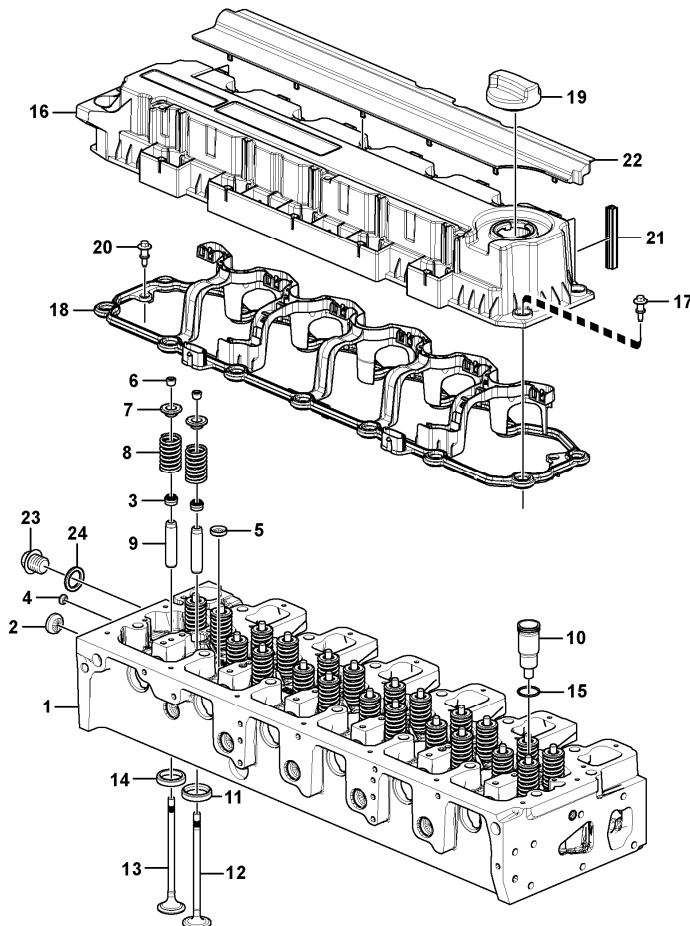
Volvo Construction  
Equipment  
1063852

Section option	Kit	Option description
VOE15083691		Engine D6H , US
VOE15165678		Engine D6H , EU
VOE85110		Engine Installation D6HLAE4, EU
VOE85113		Engine Installation D6HLAE4, US

Q1-Q5	Option	Option description	
Q1 85110	VOE85110	Engine Installation D6HLAE4, EU	
Q2 85113	VOE85113	Engine Installation D6HLAE4, US	

Pos	Part	Q1	Q2	Q3	Q4	Q5	PS	Kit	Description	Option(s)	Remark
1	VOE15165678	1							Engine		EU
1	VOE15083691		1						Engine		US

Date: <b>2014/2/20</b>	Image id: <b>1060237</b>	Catalogue: <b>20645</b>	Model: <b>L90G</b>
Brand: <b>Volvo</b>	Serial: <b>2008-</b>	Group/Section: <b>211/100</b>	Title: <b>Cylinder head 85110, 85113</b>



Volvo Construction  
Equipment  
1060237

Section option	Kit	Option description
VOE15083691		Engine D6H , US
VOE15165678		Engine D6H , EU
VOE85110		Engine Installation D6HLAE4, EU
VOE85113		Engine Installation D6HLAE4, US

Pos	Part	Q1	Q2	Q3	Q4	Q5	PS	Kit	Description	Option(s)	Remark
1	VOE21753879	1							Cylinder head		
2	VOE20834024	6							•Cap plug		
3	VOE20459855	24							•Valve seal		
4	VOE20914266	2							•Core Plug		
5	VOE20412733	16							•Core plug		
6	VOE20459857	48							•Valve sleeve		
7	VOE20788860	24							•Cap		
8	VOE21775124	24							•Valve spring		
9	VOE21705499	24							•Valve guide		

10	VOE20903104	6							•Sleeve		
11	VOE21775154	12							•Valve insert		
12	VOE21770957	12							•Inlet valve		
13	VOE21770981	12							•Exhaust valve		
14	VOE21775149	12							•Valve insert		
15	VOE20903092	6							•O-ring		
16	VOE21772081	1							Valve cover		
17	VOE21774068	16							•Brace screw		
18	VOE21770879	1							Gasket		
19	VOE20412589	1							Filler cap		
20	VOE21774068	2							Brace screw		
21	VOE21774740	1							Cover strip		
22	VOE21775052	1							•Sealing cup		
23	VOE20405716	1							Plug		
24	VOE13947621	1							Plane gasket		

**<https://www.ebooklibonline.com>**

Hello dear friend!

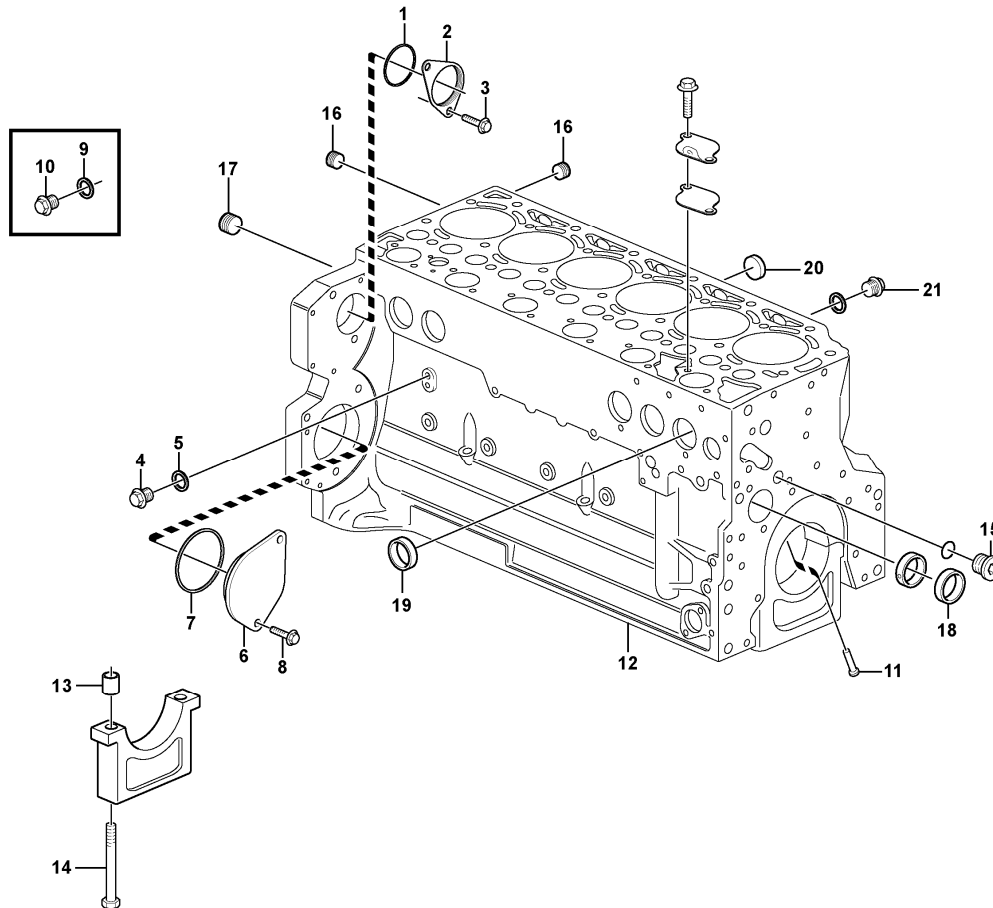
Thank you very much for reading.

Enter the link into your browser.

The full manual is available for immediate download.

**<https://www.ebooklibonline.com>**

Date: <b>2014/2/20</b>	Image id: <b>1060238</b>	Catalogue: <b>20645</b>	Model: <b>L90G</b>
Brand: <b>Volvo</b>	Serial: <b>2008-</b>	Group/Section: <b>212/100</b>	Title: <b>Cylinder block 85110, 85113</b>



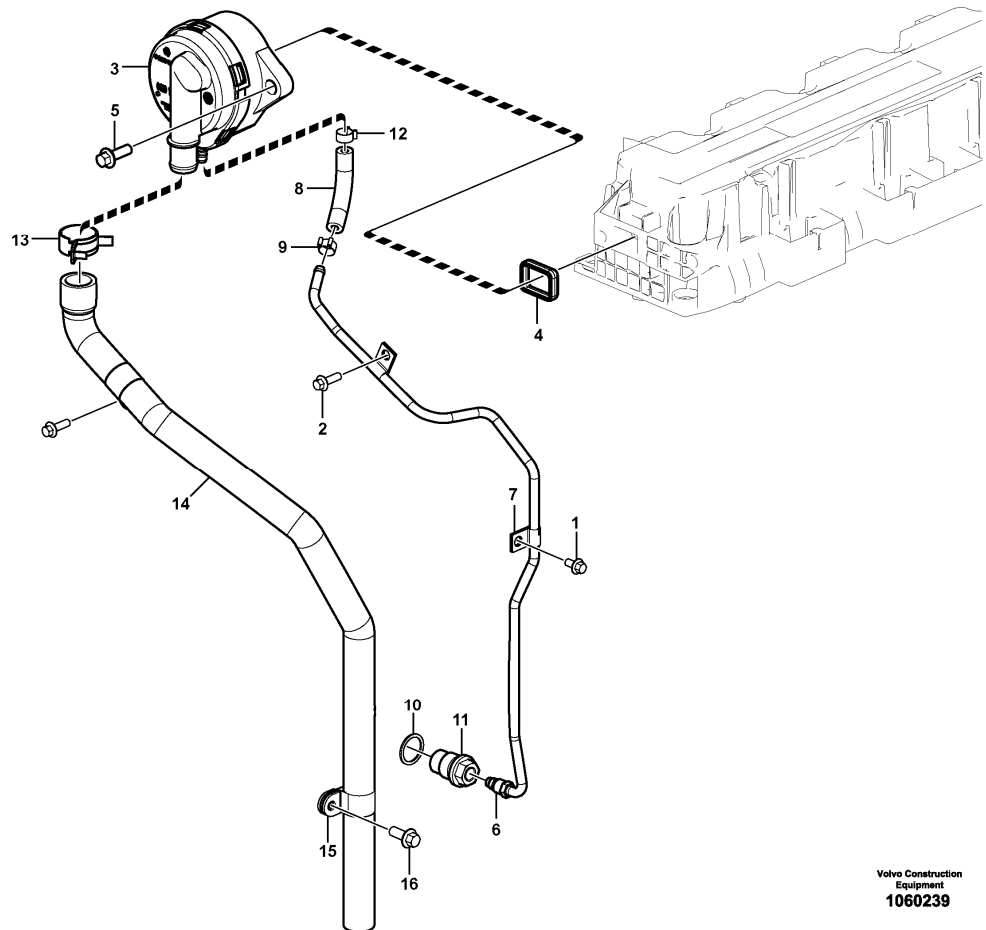
Volvo Construction  
Equipment  
1060238

Section option	Kit	Option description
VOE15083691		Engine D6H , US
VOE15165678		Engine D6H , EU
VOE85110		Engine Installation D6HLAE4, EU
VOE85113		Engine Installation D6HLAE4, US

Pos	Part	Q1	Q2	Q3	Q4	Q5	PS	Kit	Description	Option(s)	Remark
1	VOE20580547	1							Sealing ring		
2	VOE20580550	1					NS		Cover		
3	VOE888289	2							Hexagon screw		
4	VOE20405716	1							Plug		
5	VOE13947621	1							Plane gasket		
6	VOE24426064	1							Cover		
7	VOE20412359	1							Sealing ring		
8	VOE888289	2							Hexagon screw		
9	VOE13947281	1							Gasket		

10	VOE20441859	1							Plug		
11	VOE20405561	6							Piston		
12	VOE11700258	1							Plug		
13	VOE20460001	14							•Bushing		
14	VOE20460006	14							•Screw		
15	VOE20998904	1							•Plug		
16	VOE20508600	2							•Plug		
17	VOE20785813	1							•Plug		
18	VOE20459999	6							•Camshaft bushing		
19	VOE20405721	9							•Core plug		
20	VOE20412745	6							•Core plug		
21	VOE20405716	2							•Plug		

Date: <b>2014/2/20</b>	Image id: <b>1060239</b>	Catalogue: <b>20645</b>	Model: <b>L90G</b>
Brand: <b>Volvo</b>	Serial: <b>2008-</b>	Group/Section: <b>212/150</b>	Title: <b>Crankcase ventilation 85110, 85113</b>



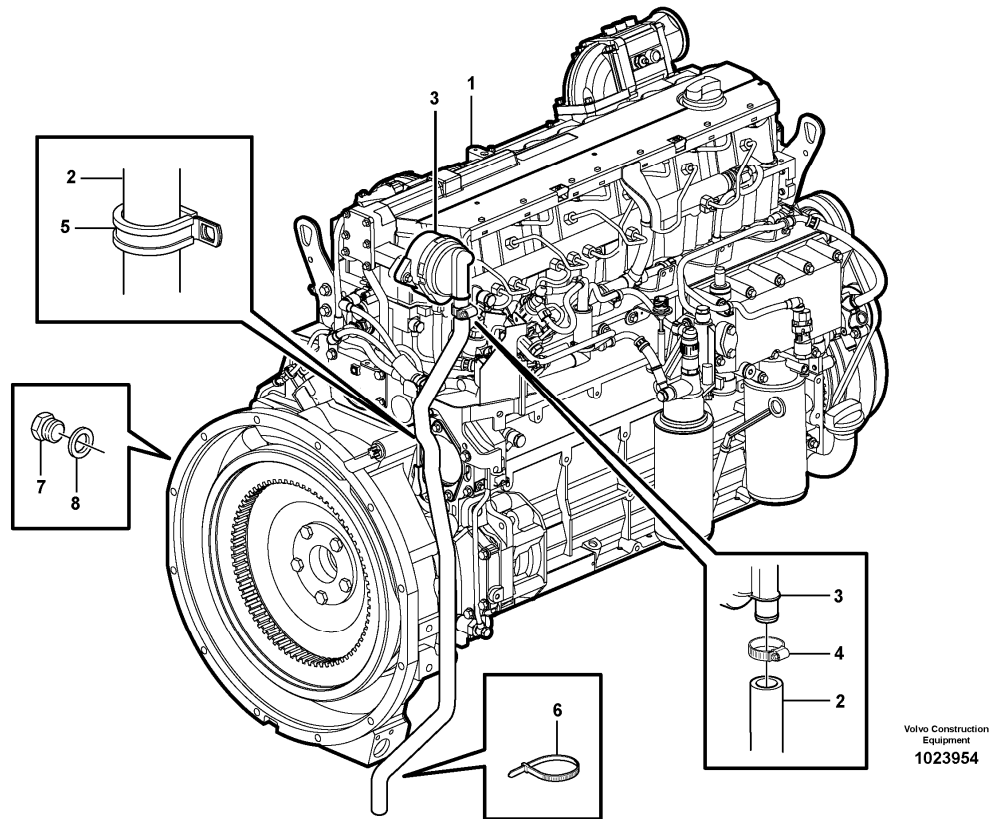
Volvo Construction  
Equipment  
1060239

Section option	Kit	Option description
VOE15083691		Engine D6H , US
VOE15165678		Engine D6H , EU
VOE85110		Engine Installation D6HLAE4, EU
VOE85113		Engine Installation D6HLAE4, US

Pos	Part	Q1	Q2	Q3	Q4	Q5	PS	Kit	Description	Option(s)	Remark
1	VOE20405729	1							Screw		
2	VOE20450728	1							Bolt		
3	VOE20930510	1							Pressure regulator		
4	VOE21038626	1							•Gasket		
5	VOE20405504	2							Screw		
6	VOE21772197	1							Leak-off line		
7	VOE20798831	2							Clamp		
8	VOE20971632	1							Rubber hose		
9	VOE20405568	1							Clip		



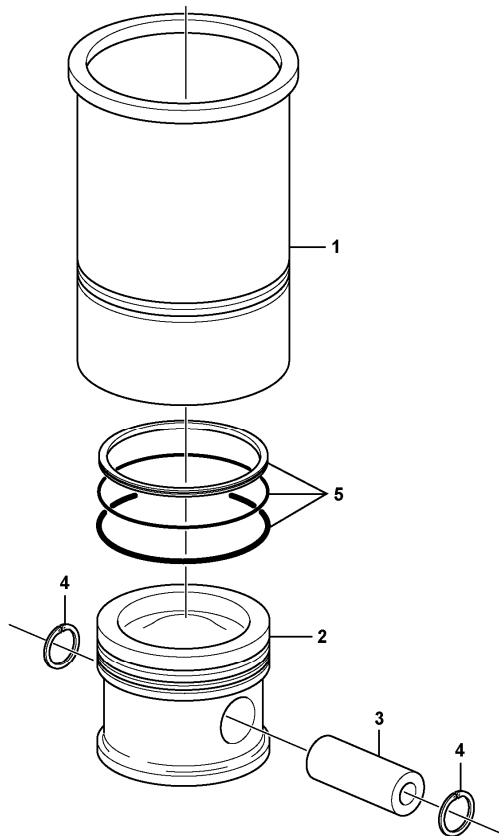
Date: <b>2014/2/20</b>	Image id: <b>1023954</b>	Catalogue: <b>20645</b>	Model: <b>L90G</b>
Brand: <b>Volvo</b>	Serial: <b>2008-</b>	Group/Section: <b>212/300</b>	Title: <b>Crankcase ventilation 33007</b>



Section option	Kit	Option description
VOE33007		Wheel Loader L90G

Pos	Part	Q1	Q2	Q3	Q4	Q5	PS	Kit	Description	Option(s)	Remark
1	VOE15165678	1							Engine		See ref 210/100
	VOE15083691	1							Engine		See ref 210/100
2	VOE16818748	1							Air vent hose		
3	VOE20930510	1							Pressure regulator		See ref 212/150
4	VOE13943474	1							Hose clamp		
5	VOE13949997	1							Clamp		
6	VOE4881440	1							Cable tie		
7	VOE11173944	6							Plug		
8	VOE13947282	6							Gasket		

Date: <b>2014/2/20</b>	Image id: <b>1024633</b>	Catalogue: <b>20645</b>	Model: <b>L90G</b>
Brand: <b>Volvo</b>	Serial: <b>2008-</b>	Group/Section: <b>213/100</b>	Title: <b>Cylinder liner and piston 85110, 85113</b>

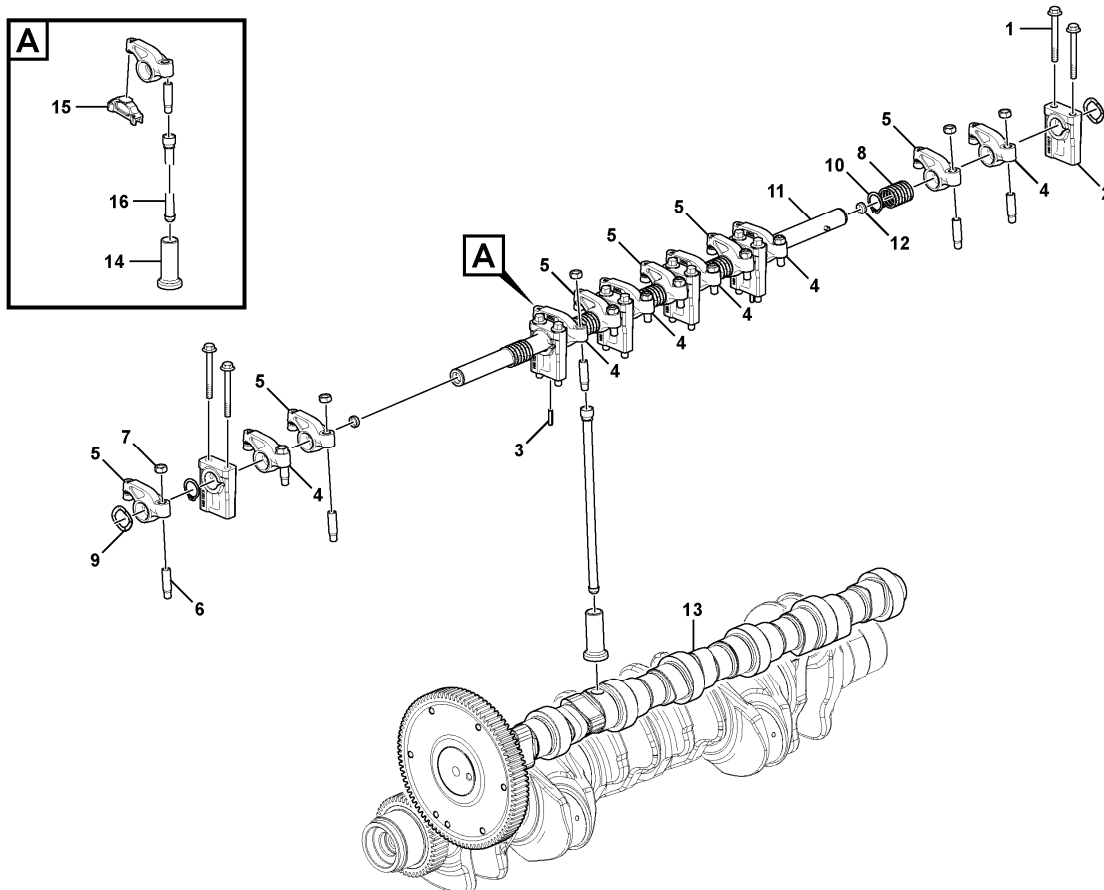


Volvo Construction  
Equipment  
1024633

Section option	Kit	Option description
VOE15083691		Engine D6H , US
VOE15165678		Engine D6H , EU
VOE85110		Engine Installation D6HLAE4, EU
VOE85113		Engine Installation D6HLAE4, US

Pos	Part	Q1	Q2	Q3	Q4	Q5	PS	Kit	Description	Option(s)	Remark
1		6					NS		Cyl Liner Kit		
2	VOE21753886	1					NS		Piston		
3	VOE21774994	1							Gudgeon pin		
4	VOE20798020	2							Lock Ring		
5	VOE21771864	1							Piston ring kit		

Date: <b>2014/2/20</b>	Image id: <b>1060271</b>	Catalogue: <b>20645</b>	Model: <b>L90G</b>
Brand: <b>Volvo</b>	Serial: <b>2008-</b>	Group/Section: <b>214/100</b>	Title: <b>Valve mechanism 85110, 85113</b>



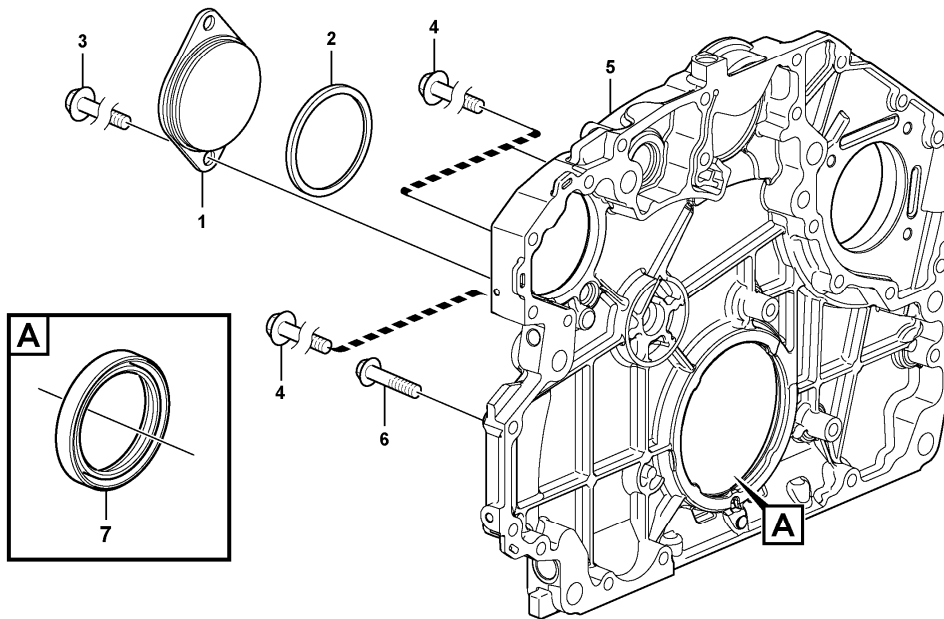
Volvo Construction  
Equipment  
1060271

Section option	Kit	Option description
VOE15083691		Engine D6H , US
VOE15165678		Engine D6H , EU
VOE85110		Engine Installation D6HLAE4, EU
VOE85113		Engine Installation D6HLAE4, US

Pos	Part	Q1	Q2	Q3	Q4	Q5	PS	Kit	Description	Option(s)	Remark
1	VOE20405723	12							Screw		
2	VOE21770895	6							Bracket		
3	VO996089	2							Spring		
4	VOE21772095	6							Rocker arm		
5	VOE21773500	6							Rocker arm		
6	VOE20832764	12					SE		Adjusting Screw		
7	VOE11700373	12							Nut		
8	VOE20800018	5							Compression spring		
9	VOE21774733	2							Raceway washer		

10	VOE914456	2							Retaining ring		
11	VOE21773506	1							Rocker arm shaft		
12	VOE20799622	2					NS		Cap Plug		
13	VOE21753855	1							Camshaft		
14	4283150	12					NS		Tappet		
15	VOE21775020	12							Push rod		
16	VOE21775113	12							Valve bridge		

Date: <b>2014/2/20</b>	Image id: <b>1060240</b>	Catalogue: <b>20645</b>	Model: <b>L90G</b>
Brand: <b>Volvo</b>	Serial: <b>2008-</b>	Group/Section: <b>215/100</b>	Title: <b>Timing gear casing 85110, 85113</b>

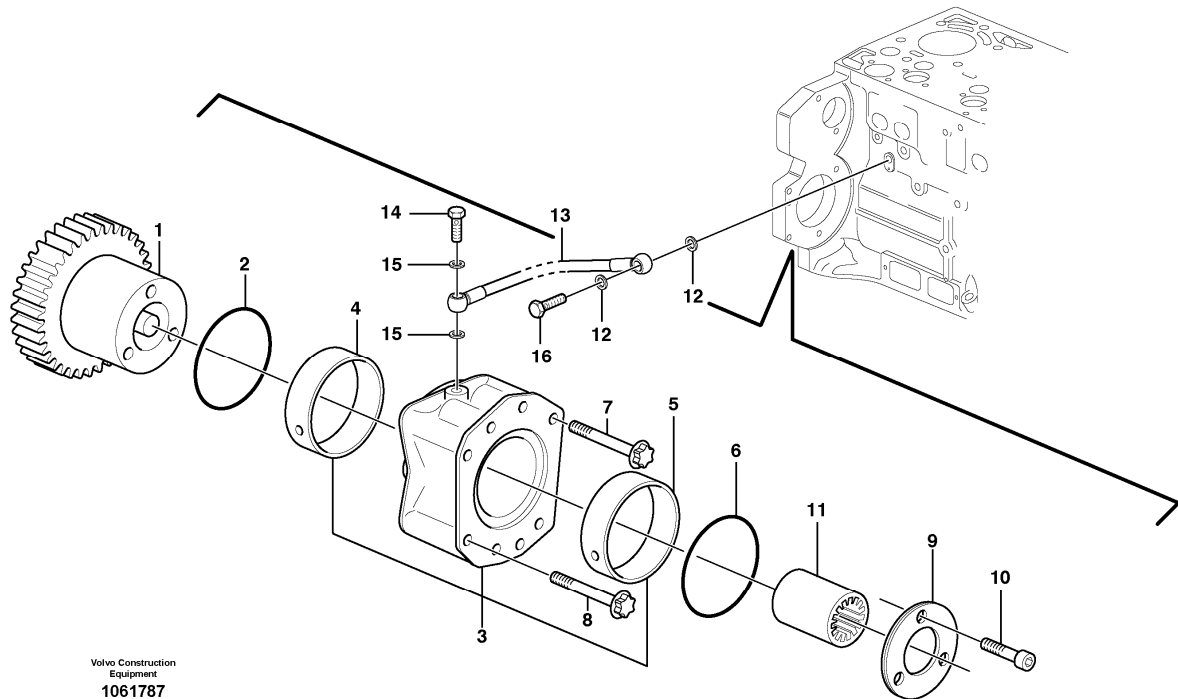


Volvo Construction  
Equipment  
1060240

Section option	Kit	Option description
VOE15083691		Engine D6H , US
VOE15165678		Engine D6H , EU
VOE85110		Engine Installation D6HLAE4, EU
VOE85113		Engine Installation D6HLAE4, US

Pos	Part	Q1	Q2	Q3	Q4	Q5	PS	Kit	Description	Option(s)	Remark
1	VOE20950063	1							Cover		
2	VOE20405652	1							Sealing ring		
3	VOE20450801	2							Screw		
4	VOE20450801	3							Screw		
5	VOE20841195	1							Gear Housing		
6	VOE20412324	12							Screw		
7	VOE20929860	1							Crankshaft Seal		

Date: <b>2014/2/20</b>	Image id: <b>1061787</b>	Catalogue: <b>20645</b>	Model: <b>L90G</b>
Brand: <b>Volvo</b>	Serial: <b>2008-</b>	Group/Section: <b>215/200</b>	Title: <b>Pump drive power take-off 85110, 85113</b>



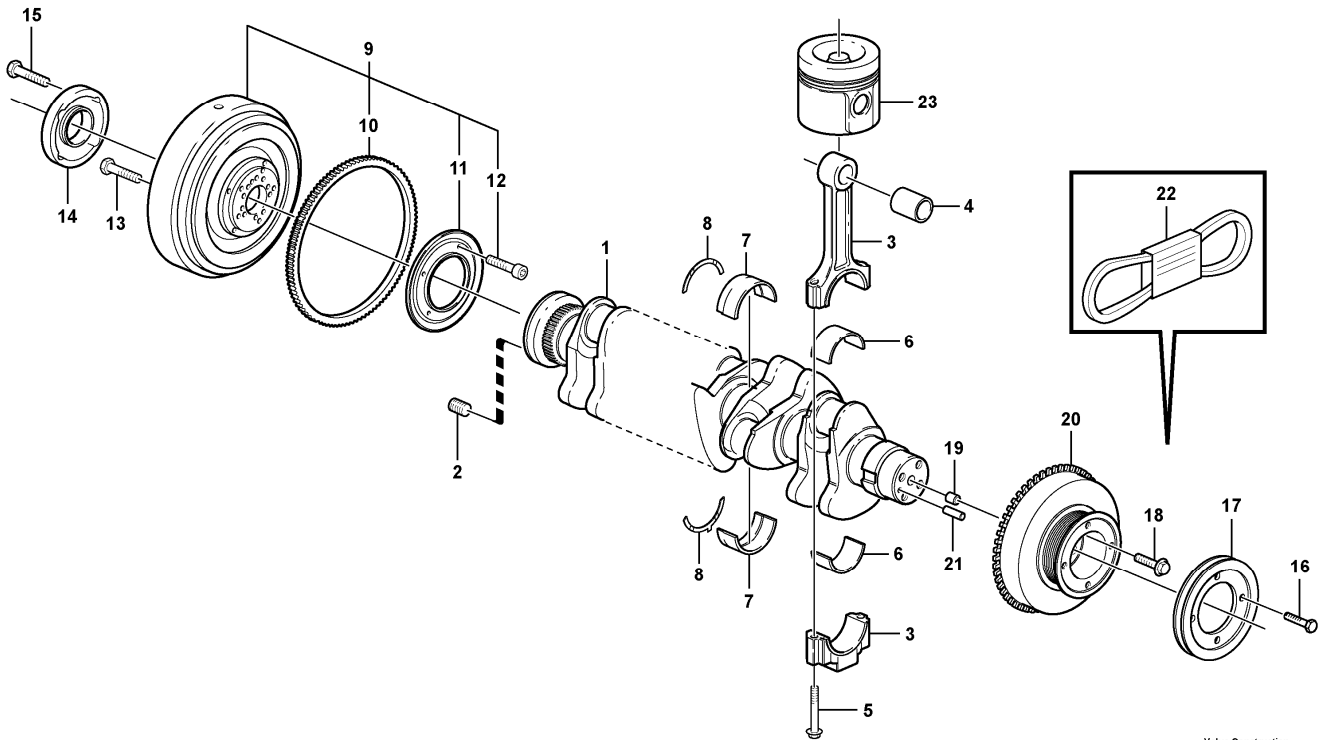
Volvo Construction  
Equipment  
1061787

Section option	Kit	Option description
VOE15083691		Engine D6H , US
VOE15165678		Engine D6H , EU
VOE85110		Engine Installation D6HLAE4, EU
VOE85113		Engine Installation D6HLAE4, US

Pos	Part	Q1	Q2	Q3	Q4	Q5	PS	Kit	Description	Option(s)	Remark
1	VOE21249506	1						K	Gear		
2	VOE20450818	1							O-ring		
3	VOE20450805	1						K	Bearing flange		
4	VOE20450807	1						K	•Bushing		
5	VOE20450809	1						K	•Bushing		
6	VOE20450819	1							O-ring		
7	VOE20450821	2							Screw		
8	VOE21077470	2							Screw		
9	VOE20450811	1						K	Thrust washer		

10	VOE20450822	3						K	Screw		
11	VOE20459123	1							Sleeve		
12	VOE13947621	2							Plane gasket		
13	VOE20459170	1							Oil pipe		
14	VOE980973	1							Hollow screw		
15	VOE13947281	2							Gasket		
16	VOE7025167	1							Hollow screw		
	VOE21250587	1							Hydraulic Pump		KIT

Date: <b>2014/2/20</b>	Image id: <b>1063804</b>	Catalogue: <b>20645</b>	Model: <b>L90G</b>
Brand: <b>Volvo</b>	Serial: <b>2008-</b>	Group/Section: <b>216/100</b>	Title: <b>Crankshaft and related parts 85110, 85113</b>

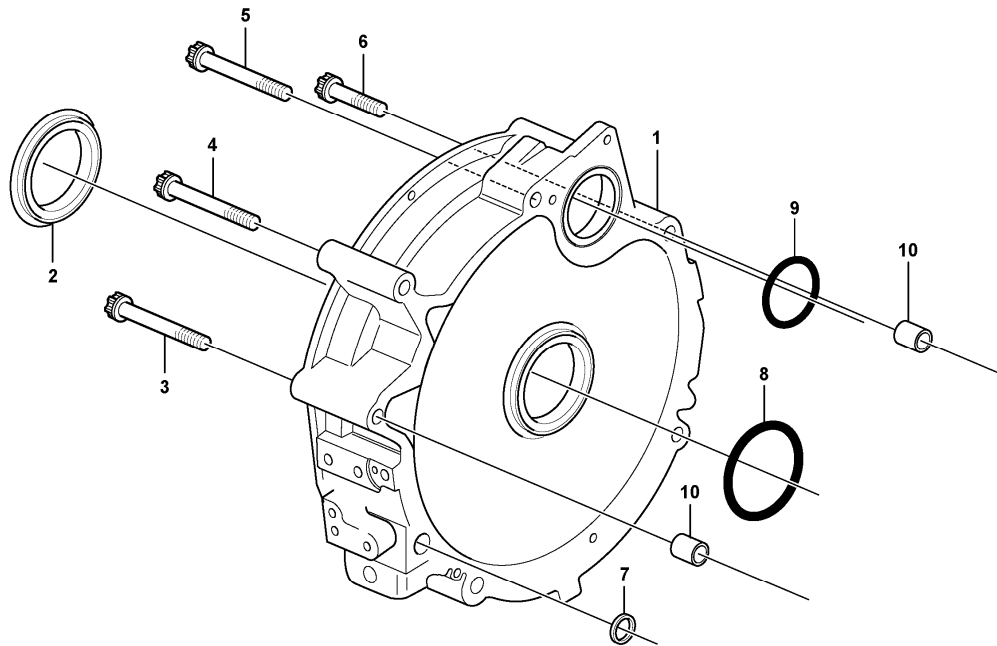


Section option	Kit	Option description
VOE15083691		Engine D6H , US
VOE15165678		Engine D6H , EU
VOE85110		Engine Installation D6HLAE4, EU
VOE85113		Engine Installation D6HLAE4, US

Pos	Part	Q1	Q2	Q3	Q4	Q5	PS	Kit	Description	Option(s)	Remark
1	VOE21351237	1							Crankshaft		
2	VOE20459144	10							Insert		
3	VOE20851091	6							Connecting rod		
4	VOE20799647	6							•Piston Bearing		
5	VOE20799587	12							•Bolt		
6	VOE20850096	1							Big End Brg Kit		STD 70,00MM
6	VOE20850097	1							Big End Brg Kit		U SZ 69,75MM
7	VOE20850106	7							Main Bearing		STD 84,00MM
7	VOE20850110	7							Main Bearing		U SZ 83,75MM

8	VOE20850116	2							Thrust washer		STD 2,15MM
8	VOE20850122	2							Thrust Washer		O SZ 2,35MM
9	VOE20917910	1							Flywheel		
10	VOE20450830	1							•Gear		
11	VOE20918003	1							•Ring		
12	VOE20933839	4							•Screw		
13	VOE20450835	10							Screw		
14	VOE20460793	1							Flange		
15	VOE21000755	5							Screw		
16	VOE20459156	4							Screw		
17	VOE20459155	1							Pulley		
18	VOE20405724	4							Screw		
19	VOE20405634	1							Spring pin		
20	VOE20799122	1							V-belt Pulley		
21	VOE20450628	1							Pin		
22	VOE977305	1							V-belt		See ref 263/500
23	VOE21753886	1							Piston		See ref 213/100

Date: <b>2014/2/20</b>	Image id: <b>1033647</b>	Catalogue: <b>20645</b>	Model: <b>L90G</b>
Brand: <b>Volvo</b>	Serial: <b>2008-</b>	Group/Section: <b>216/200</b>	Title: <b>Flywheel housing 85110, 85113</b>



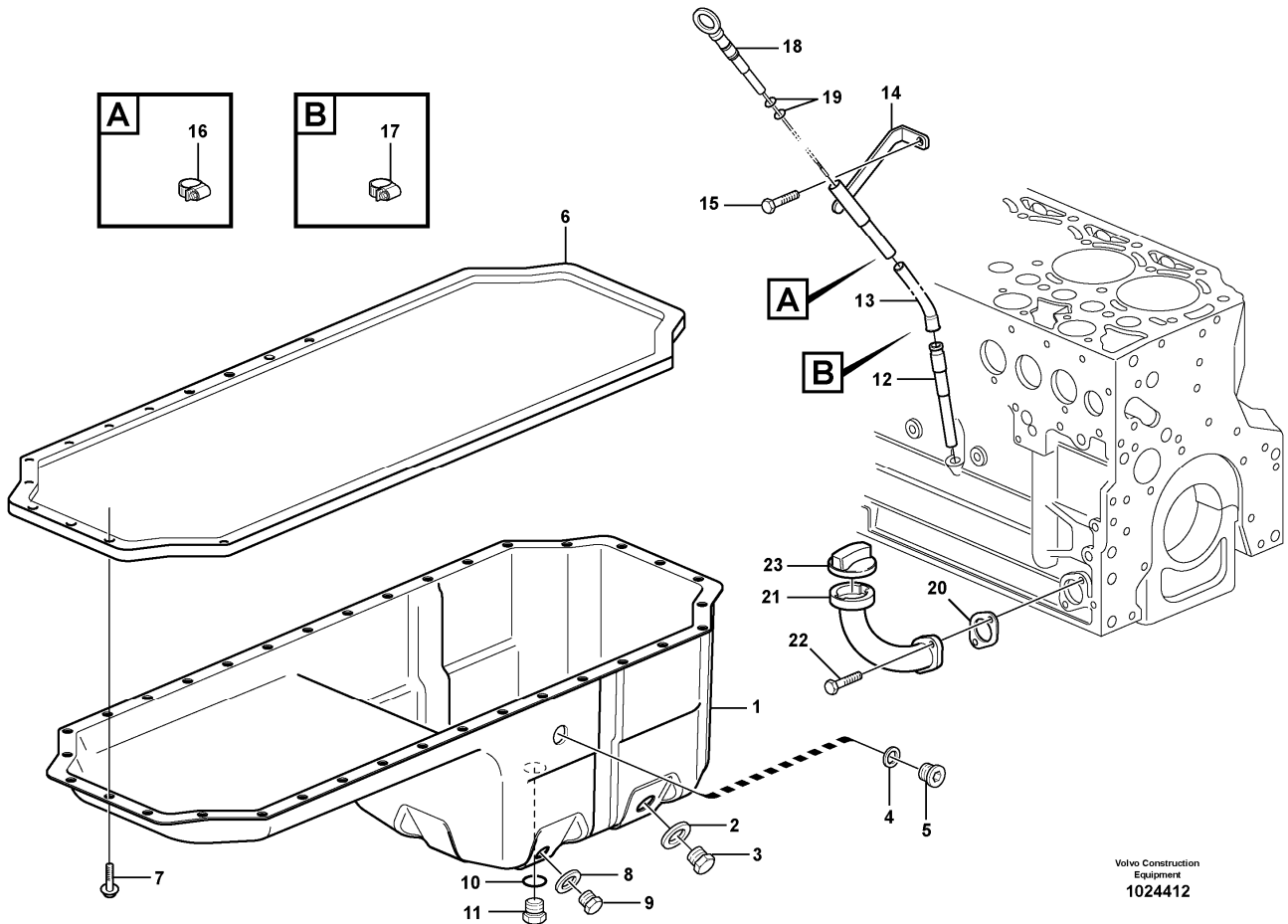
Volvo Construction  
Equipment  
1033647

Section option	Kit	Option description
VOE15083691		Engine D6H , US
VOE15165678		Engine D6H , EU
VOE85110		Engine Installation D6HLAE4, EU
VOE85113		Engine Installation D6HLAE4, US

Pos	Part	Q1	Q2	Q3	Q4	Q5	PS	Kit	Description	Option(s)	Remark
1	VOE20459987	1							Flywheel housing		
2	VOE20450784	1							•Labyrinth ring		
3	VOE20459996	1							Screw		
4	VOE20459995	1							Screw		
5	VOE20459991	3							Screw		
6	VOE20460931	1							Screw		
7	VOE20459993	4							O-ring		
8	VOE20450786	1							Sealing ring		
9	VOE20459994	1							Sealing ring		

10	VOE20585971	2						Bushing		
----	-------------	---	--	--	--	--	--	---------	--	--

Date: <b>2014/2/20</b>	Image id: <b>1024412</b>	Catalogue: <b>20645</b>	Model: <b>L90G</b>
Brand: <b>Volvo</b>	Serial: <b>2008-</b>	Group/Section: <b>217/100</b>	Title: <b>Oil sump 85110, 85113</b>



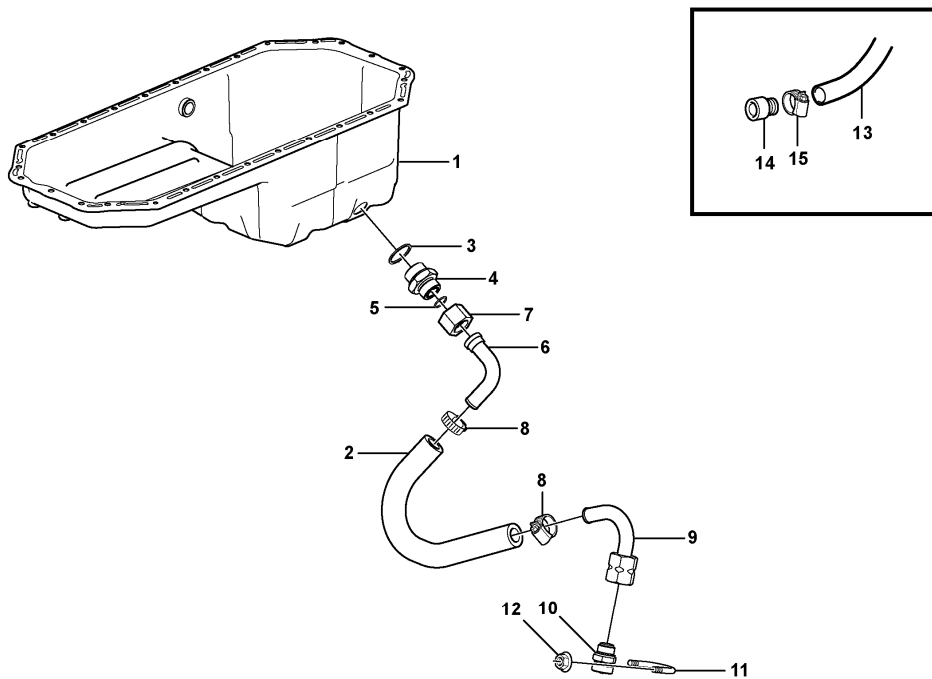
Volvo Construction  
Equipment  
1024412

Section option	Kit	Option description
VOE15083691		Engine D6H , US
VOE15165678		Engine D6H , EU
VOE85110		Engine Installation D6HLAE4, EU
VOE85113		Engine Installation D6HLAE4, US

Pos	Part	Q1	Q2	Q3	Q4	Q5	PS	Kit	Description	Option(s)	Remark
1	VOE21618972	1							Oil pan		
2	VOE993681	1							•Gasket		
3	VOE20496257	1							•Plug		
4	VOE20460026	1							Sealing ring		
5	VOE20460024	1							Plug		
6	VOE20460022	1							Gasket		
7	VOE20405792	28							Screw		
8	VOE993679	1							Gasket		
9	VOE20405506	1							Plug		



Date: <b>2014/2/20</b>	Image id: <b>1019351</b>	Catalogue: <b>20645</b>	Model: <b>L90G</b>
Brand: <b>Volvo</b>	Serial: <b>2008-</b>	Group/Section: <b>217/300</b>	Title: <b>Draining of oil sump 33007</b>



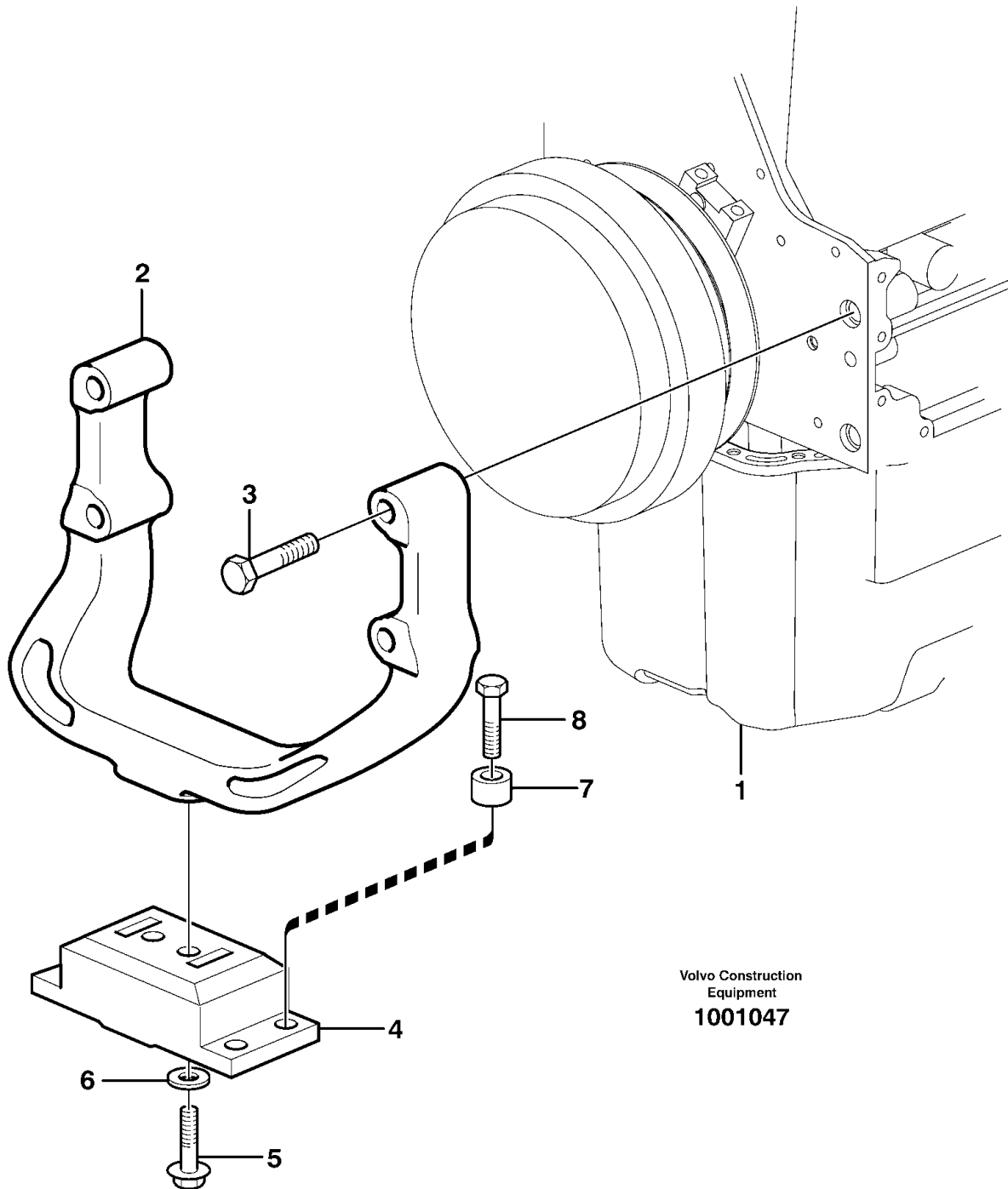
Volvo Construction  
Equipment  
1019351

Section option	Kit	Option description
VOE33007		Wheel Loader L90G

Pos	Part	Q1	Q2	Q3	Q4	Q5	PS	Kit	Description	Option(s)	Remark
1	VOE21618972	1							Oil pan		See ref 217/100
2	VOE190993	REQ							Hose		L = 430 mm
3	VOE993600	1							Gasket		
4	VOE11163064	1							Nipple		
5	VOE990740	1							O-ring		
6	VOE11410190	1							Drain tube		
7	VOE13933877	1							Fitting nut		
8	VOE943473	2							Hose clamp		
9	VOE11173508	1							Drain tube		
10	VOE11054692	1							Valve		
11	VOE11130269	1							Clamp		
12	VOE948645	2							Flange lock nut		

13	VOE11027418	1							Hose		
14	VOE11054659	1							Connector		
15	VOE943473	1							Hose clamp		

Date: <b>2014/2/20</b>	Image id: <b>1001047</b>	Catalogue: <b>20645</b>	Model: <b>L90G</b>
Brand: <b>Volvo</b>	Serial: <b>2008-</b>	Group/Section: <b>218/100</b>	Title: <b>Engine mounting 33007</b>



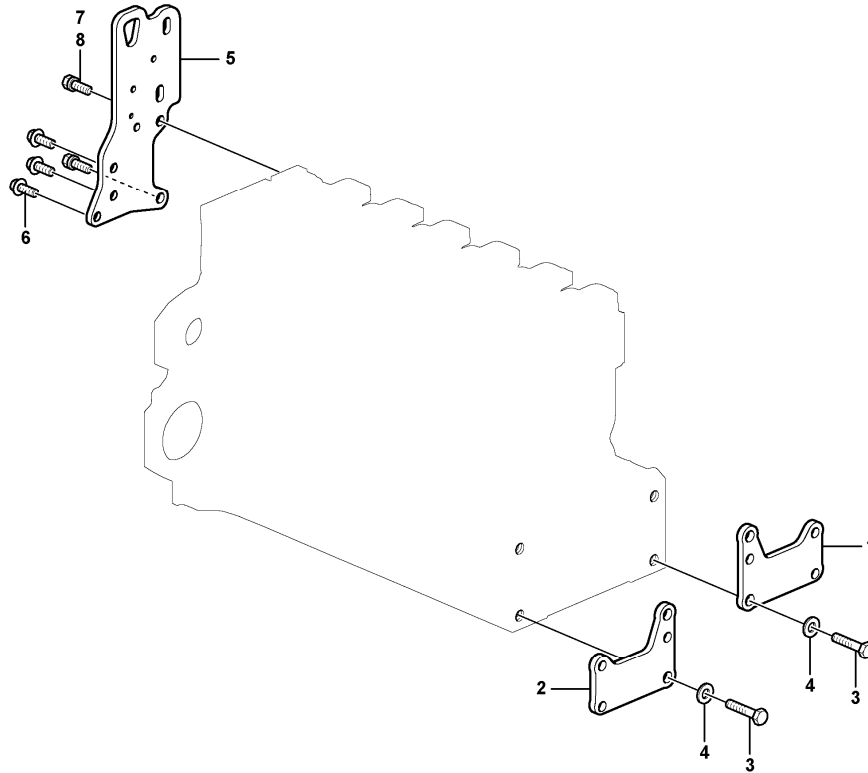
Volvo Construction  
Equipment  
**1001047**

Section option	Kit	Option description
VOE33007		Wheel Loader L90G

Pos	Part	Q1	Q2	Q3	Q4	Q5	PS	Kit	Description	Option(s)	Remark
-----	------	----	----	----	----	----	----	-----	-------------	-----------	--------

1	VOE15165678	1							Engine		See ref 210/100
	VOE15083691	1							Engine		See ref 210/100
2	VOE15158794	1							Engine anchorage		
3	VOE963320	4							Hexagon screw		
4	VOE20503552	1							Rubber cushion		
5	VOE966362	2							Flange screw		
6	VOE930844	2							Washer		
7	VOE11025923	4							Spacer		
8	VOE13965193	4							Screw		

Date: <b>2014/2/20</b>	Image id: <b>1060244</b>	Catalogue: <b>20645</b>	Model: <b>L90G</b>
Brand: <b>Volvo</b>	Serial: <b>2008-</b>	Group/Section: <b>218/200</b>	Title: <b>Engine mounting 85110, 85113</b>

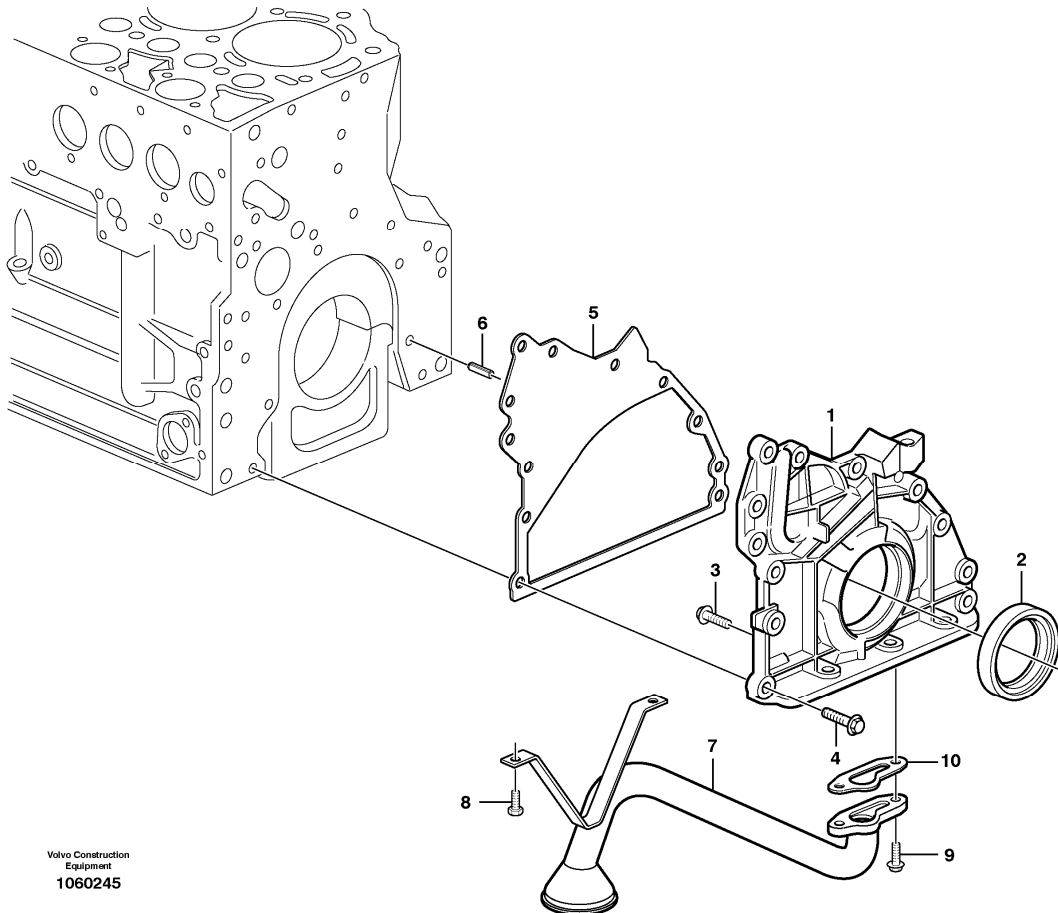


Volvo Construction  
Equipment  
1060244

Section option	Kit	Option description
VOE15083691		Engine D6H , US
VOE15165678		Engine D6H , EU
VOE85110		Engine Installation D6HLAE4, EU
VOE85113		Engine Installation D6HLAE4, US

Pos	Part	Q1	Q2	Q3	Q4	Q5	PS	Kit	Description	Option(s)	Remark
1	VOE20723978	1							Bracket		
2	VOE20723984	1							Bracket		
3	VOE20535027	2							Screw		
4	VOE20405606	2							Washer		
5	VOE21774562	1					NS		Plate		
6	VOE20450756	3							Screw		
7	VOE20412314	2							Stud		
8	VOE20412308	2							Hexagon nut		

Date: <b>2014/2/20</b>	Image id: <b>1060245</b>	Catalogue: <b>20645</b>	Model: <b>L90G</b>
Brand: <b>Volvo</b>	Serial: <b>2008-</b>	Group/Section: <b>221/100</b>	Title: <b>Lubricating oil system 85110, 85113</b>

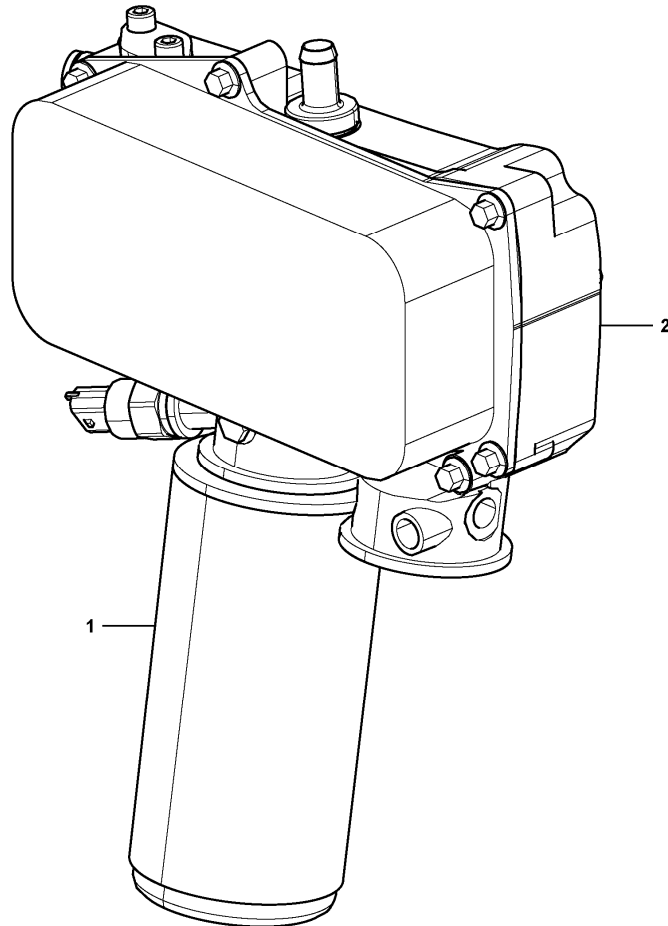


Section option	Kit	Option description
VOE15083691		Engine D6H , US
VOE15165678		Engine D6H , EU
VOE85110		Engine Installation D6HLAE4, EU
VOE85113		Engine Installation D6HLAE4, US

Pos	Part	Q1	Q2	Q3	Q4	Q5	PS	Kit	Description	Option(s)	Remark
1	VOE21489736	1							Service cover		
2	VOE21496591	1							•Lip seal		
3	VOE20451738	8							•Screw		
4	VOE20412324	12							Screw		
5	VOE21531890	1							Gasket		
6	VOE20405603	1							Spring pin		
7	VOE20496392	1							Oil pipe		
8	VOE20405792	2							Screw		
9	VOE13949578	2							Screw		



Date: <b>2014/2/20</b>	Image id: <b>1063851</b>	Catalogue: <b>20645</b>	Model: <b>L90G</b>
Brand: <b>Volvo</b>	Serial: <b>2008-</b>	Group/Section: <b>222/100</b>	Title: <b>Oil filter 85110, 85113</b>

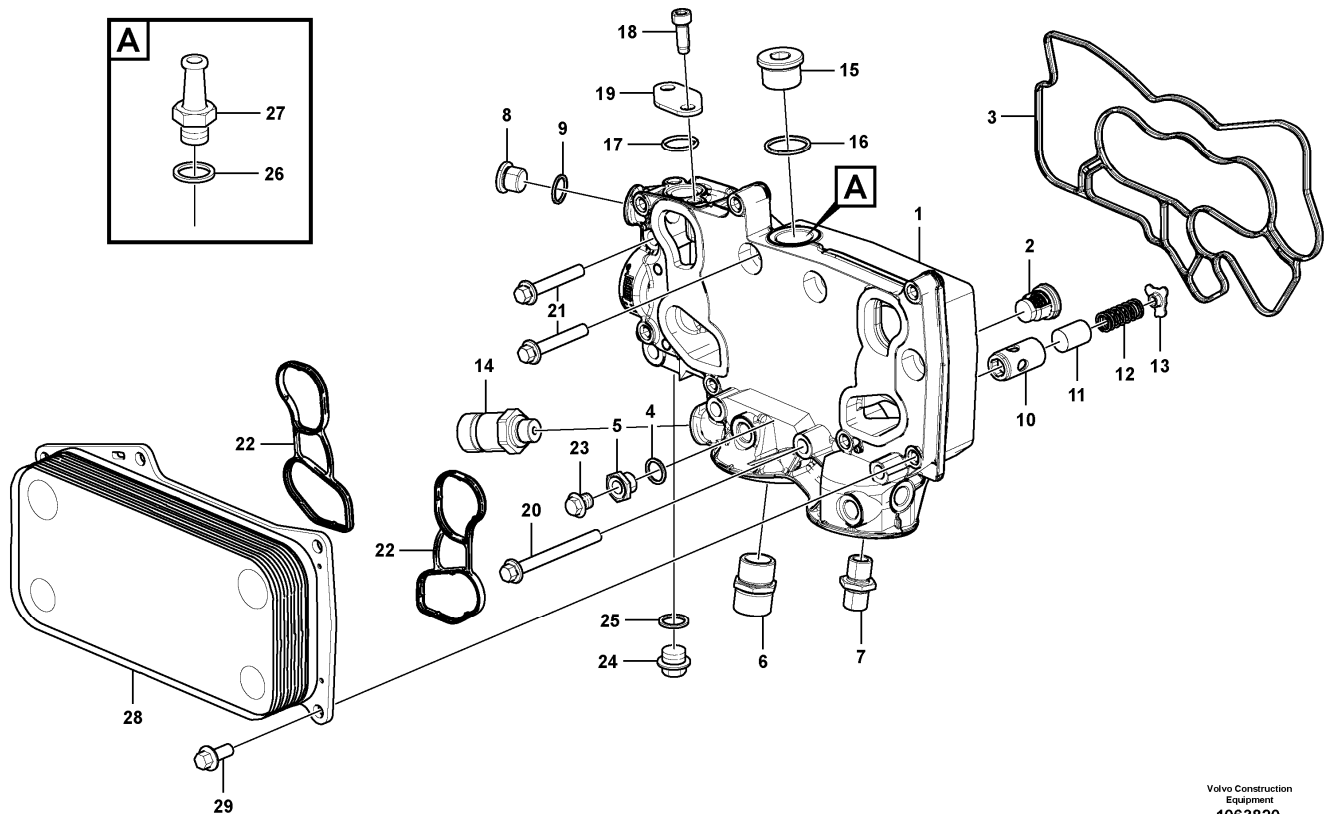


Volvo Construction  
Equipment  
1063851

Section option	Kit	Option description
VOE15083691		Engine D6H , US
VOE15165678		Engine D6H , EU
VOE85110		Engine Installation D6HLAE4, EU
VOE85113		Engine Installation D6HLAE4, US

Pos	Part	Q1	Q2	Q3	Q4	Q5	PS	Kit	Description	Option(s)	Remark
1	VOE3831236	1							Oil filter		
2	VOE21754776	1							Oil cooler		See ref 223/100

Date: <b>2014/2/20</b>	Image id: <b>1063820</b>	Catalogue: <b>20645</b>	Model: <b>L90G</b>
Brand: <b>Volvo</b>	Serial: <b>2008-</b>	Group/Section: <b>223/100</b>	Title: <b>Oil cooler 85110, 85113</b>



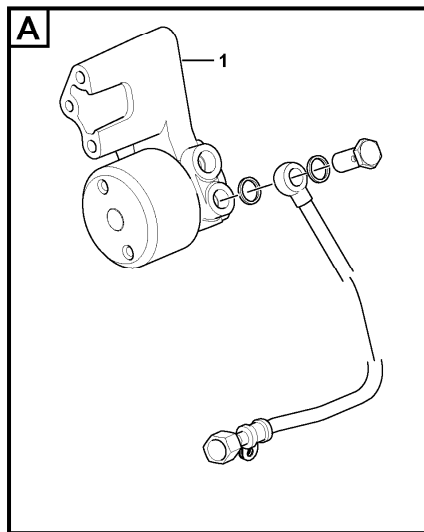
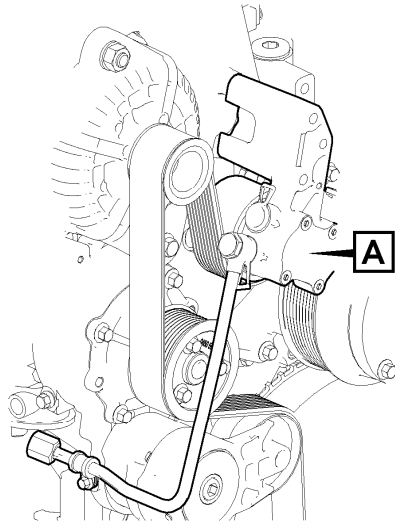
Volvo Construction  
Equipment  
1063820

Section option	Kit	Option description
VOE15083691		Engine D6H , US
VOE15165678		Engine D6H , EU
VOE85110		Engine Installation D6HLAE4, EU
VOE85113		Engine Installation D6HLAE4, US

Pos	Part	Q1	Q2	Q3	Q4	Q5	PS	Kit	Description	Option(s)	Remark
1	VOE21754776	1							Oil cooler		
2	VOE20459204	1							•Valve		
3	VOE20459203	1							•Gasket		
4	VOE13947281	1							•Gasket		
5	VOE20795923	1							•Plug		
6	VOE20459201	1							•Nipple		
7	VOE20459200	1							•Nipple		
8	VOE20502245	1							•Screw plug		
9	VOE13947622	1							•Plane gasket		

10	VOE21100405	1							•Valve seat		
11	VOE20862028	1							•Control plunger		
12	VOE21100407	1							•Spring		
13	VOE21100410	1							•Sleeve		
14	VOE20898038	1							•Pressure sensor		
15	VOE20459195	1							•Plug		
16	VOE13947628	1							•Plane gasket		
17	VOE20405599	1							•Sealing ring		
18	01110561	2					NS		•Screw		
19	VOE21072778	1							•Flange		
20	VOE20405917	3							•Screw		
21	VOE20405672	5							•Screw		
22	VOE21611489	2							Gasket		
23	VOE21011809	1							Plug		
24	VOE888474	1							Plug		
25	VOE20450890	1							Sealing ring		
26	VOE13947628	1							Plane gasket		
27	VOE20496519	1							Nipple		
28	VOE21695993	1							Oil cooler		
29	VOE20405885	7							Screw		

Date: <b>2014/2/20</b>	Image id: <b>1060286</b>	Catalogue: <b>20645</b>	Model: <b>L90G</b>
Brand: <b>Volvo</b>	Serial: <b>2008-</b>	Group/Section: <b>233/100</b>	Title: <b>Fuel pump 85110, 85113</b>

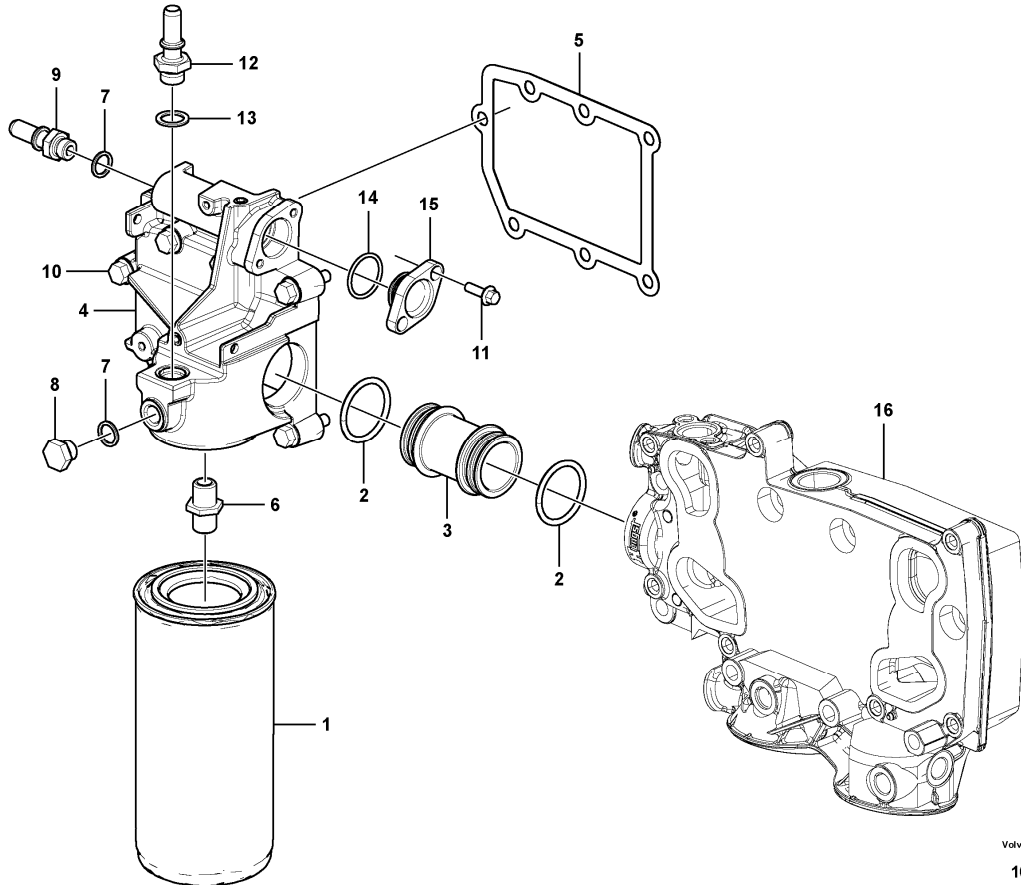


Volvo Construction  
Equipment  
1060286

Section option	Kit	Option description
VOE15083691		Engine D6H , US
VOE15165678		Engine D6H , EU
VOE85110		Engine Installation D6HLAE4, EU
VOE85113		Engine Installation D6HLAE4, US

Pos	Part	Q1	Q2	Q3	Q4	Q5	PS	Kit	Description	Option(s)	Remark
1	VOE21620116	1							Fuel pump		

Date: <b>2014/2/20</b>	Image id: <b>1063725</b>	Catalogue: <b>20645</b>	Model: <b>L90G</b>
Brand: <b>Volvo</b>	Serial: <b>2008-</b>	Group/Section: <b>233/150</b>	Title: <b>Fuel filter 85110, 85113</b>



Volvo Construction  
Equipment  
1063725

Section option	Kit	Option description
VOE15083691		Engine D6H , US
VOE15165678		Engine D6H , EU
VOE85110		Engine Installation D6HLAE4, EU
VOE85113		Engine Installation D6HLAE4, US

Pos	Part	Q1	Q2	Q3	Q4	Q5	PS	Kit	Description	Option(s)	Remark
1	VOE20805349	1							Fuel Filter		
2	VOE20459193	2							Sealing ring		
3	VOE20459191	1							Plug		
4	VOE21307519	1							Filter housing		
5	VOE20459192	1							Gasket		
6	VOE20818370	1							Screw Bushing		
7	VOE993436	2							Gasket		
8	VOE20775883	1					NS		Plug		
9	VOE21793124	1							Plug		

10	VOE20412324	7							Screw		
11	VOE20450728	2							Bolt		
12	VOE20832581	1							Plug		
13	VOE21846543	1					NS		Gasket		
14	VOE21566343	1					NS		O-ring		
15	VOE20798139	1							Cover		
16	VOE21754776	1							Oil cooler		See ref 223/100



**Suggest:**

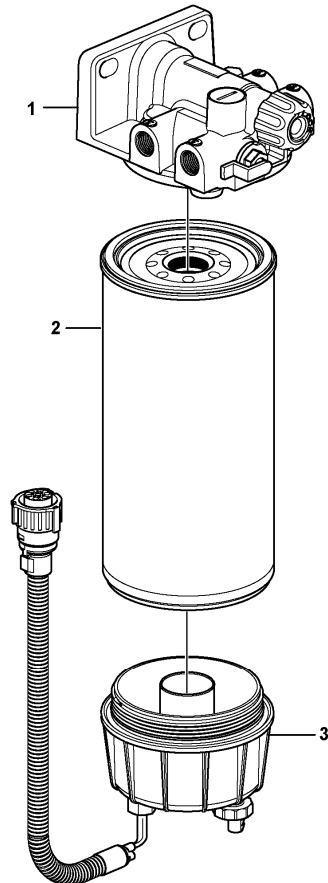
**For more complete manuals. Please go to the home page.**

**<https://www.ebooklibonline.com>**

**If the above button click is invalid. Please download this document first, and then click the above link to download the complete manual.**

**Thank you so much for reading**

Date: <b>2014/2/20</b>	Image id: <b>1023950</b>	Catalogue: <b>20645</b>	Model: <b>L90G</b>
Brand: <b>Volvo</b>	Serial: <b>2008-</b>	Group/Section: <b>233/300</b>	Title: <b>Water separator 33007</b>

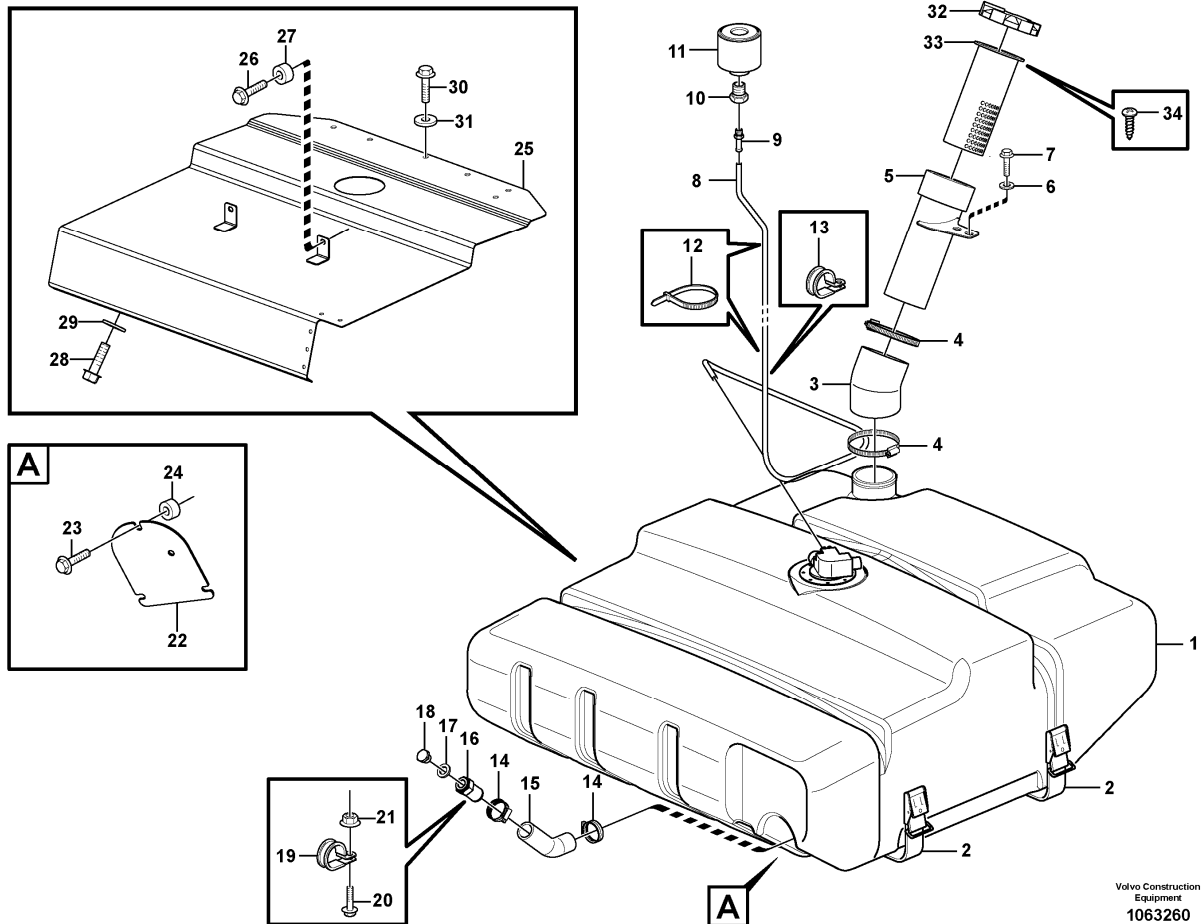


Volvo Construction  
Equipment  
1023950

Section option	Kit	Option description
VOE33007		Wheel Loader L90G

Pos	Part	Q1	Q2	Q3	Q4	Q5	PS	Kit	Description	Option(s)	Remark
	VOE11110709	1							Water separator		
1	VOE11110708	1					NS		•Filter Housing		
2	VOE11110683	1							•Primary filter		
3	VOE11110737	1							•Bowl		SE2302

Date: <b>2014/2/20</b>	Image id: <b>1063260</b>	Catalogue: <b>20645</b>	Model: <b>L90G</b>
Brand: <b>Volvo</b>	Serial: <b>2008-</b>	Group/Section: <b>234/100</b>	Title: <b>Fuel tank with fitting parts 33007, 84580</b>



Volvo Construction  
Equipment  
1063260

Section option	Kit	Option description
VOE33007		Wheel Loader L90G
VOE84580		Strainer, fuel fill

Q1-Q5	Option	Option description	
Q1 33007	VOE33007	Wheel Loader L90G	
Q2 84580	VOE84580	Strainer, fuel fill	

Pos	Part	Q1	Q2	Q3	Q4	Q5	PS	Kit	Description	Option(s)	Remark
1	VOE16813696	1							Fuel tank		See ref 234/150
2	VOE11132499	2							Retaining strap		
3	VOE15410367	1							Hose		
4	VOE943483	2							Hose clamp		
5	VOE16820631	1							Filler pipe		
6	VOE13948871	2							Spacer washer		
7	VOE13945444	2							Screw		

**<https://www.ebooklibonline.com>**

Hello dear friend!

Thank you very much for reading.

Enter the link into your browser.

The full manual is available for immediate download.

**<https://www.ebooklibonline.com>**