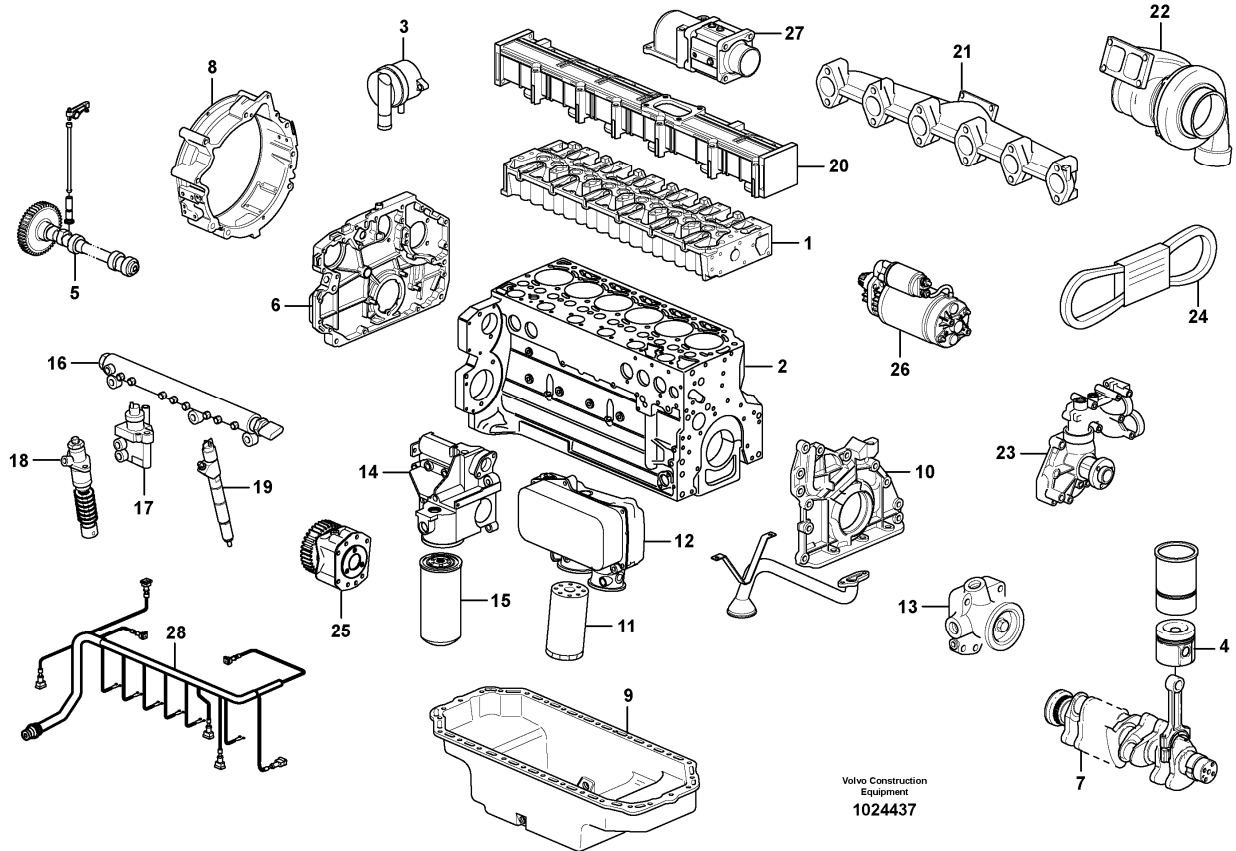


Date: 2014/2/20	Image id: 1024437	Catalogue: 20105	Model: L90F
Brand: Volvo	Serial: 25006-, 68101-, 71501-	Group/Section: 210/100	Title: Engine

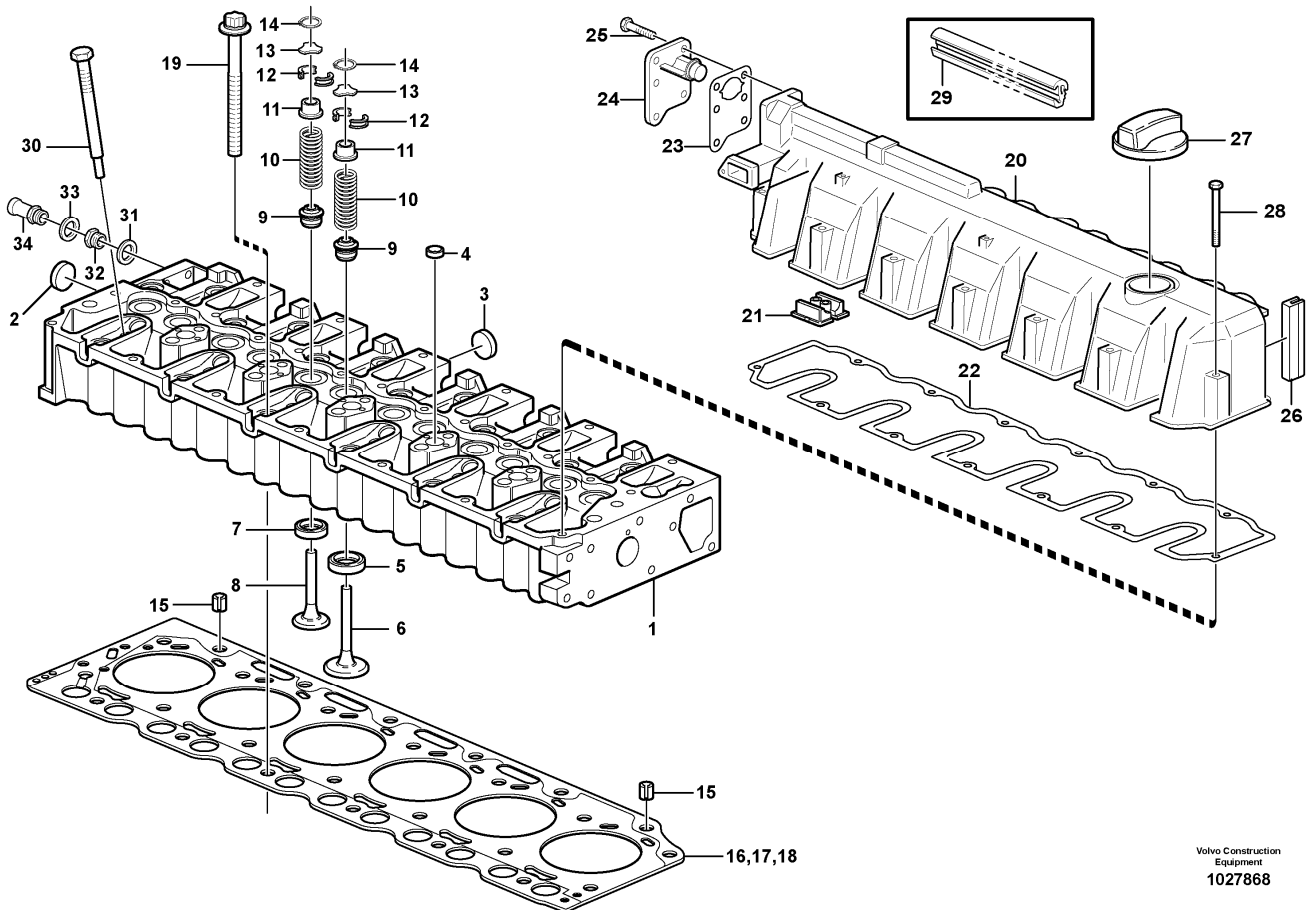


Section option	Kit	Option description
VOE11411088		Engine D6ELAE3

Pos	Part	Q1	Q2	Q3	Q4	Q5	PS	Kit	Description	Option(s)	Remark
	VOE11411088	1							Engine		D6E LAE3
1		1							•Cylinder head		See ref 211/100
2		1							•Cylinder block		See ref 212/100
3		1							•Crankcase ventilation		See ref 212/150
4		6							•Piston		See ref 213/100
5		1							•Valve mechanism		See ref 214/100
6		1							•Timing gear casing		See ref 215/100
7		1							•Crankshaft		See ref 216/100
8		1							•Flywheel Hsg		See ref 216/150
9		1							•Oil sump		See ref 217/100

10		1							•Lubricating system		See ref 221/100
11		1							•Oil filter		See ref 223/100
12		1							•Oil cooler		See ref 223/100
13		1							•Fuel pump		See ref 233/100
14		1							•Expansion Tank		See ref 233/150
15		1							•Fuel Filter		See ref 233/150
16		1							•Rail		See ref 237/100
17		1							•Regulator		See ref 237/100
18		2							•Pump Unit		See ref 237/100
19		6							•Injector		See ref 237/100
20		1							•Inlet Manifold		See ref 251/100
21		1							•Exhaust pipe		See ref 251/100
22		1							•Turbocharger		See ref 255/100
23		1							•Coolant Pump		See ref 262/100
24		1							•Belt Xmsn		See ref 263/400
25		1							•Pump drive		See ref 263/450
26		1							•Starter motor		See ref 331/100
27		1							•Starter Element		See ref 333/100
28		1							•Cable harness		See ref 371/150

Date: 2014/2/20	Image id: 1027868	Catalogue: 20105	Model: L90F
Brand: Volvo	Serial: 25006-, 68101-, 71501-	Group/Section: 211/100	Title: Cylinder head



Section option	Kit	Option description
VOE11411088		Engine D6ELAE3

Pos	Part	Q1	Q2	Q3	Q4	Q5	PS	Kit	Description	Option(s)	Remark
1	VOE20855301	1							Cylinder head		
2	VOE20914266	1							•Core Plug		
3	VOE20412745	5							•Core plug		
4	VOE20412733	5							•Core plug		
5	VOE20849976	6							•Valve seat		
6	VOE20798699	6							•Inlet valve		
7	VOE20849979	6							•Valve seat		
8	VOE20798533	6							•Exhaust Valve		
9	VOE20459855	12							•Valve seal		
10	VOE20459851	12							•Valve spring		
11	VOE20840747	12							•Spring Disc		

<https://www.ebooklibonline.com>

Hello dear friend!

Thank you very much for reading.

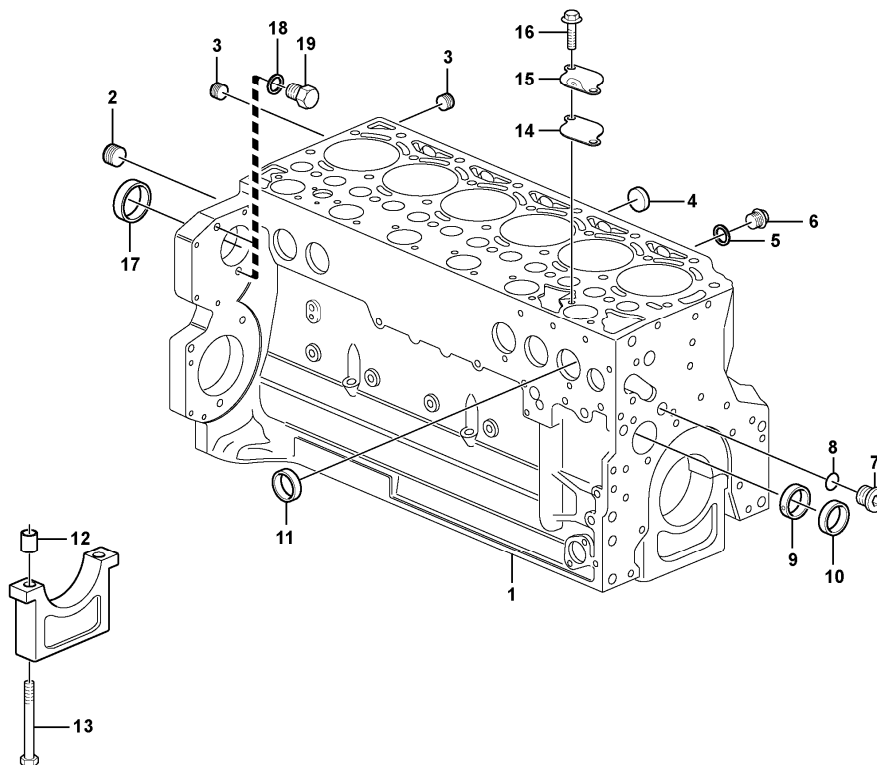
Enter the link into your browser.

The full manual is available for immediate download.

<https://www.ebooklibonline.com>

12	VOE20459857	24							•Valve sleeve		
13	VOE20840807	12							•Thrust Washer		
14	VOE20840772	12							•Snap Ring		
15	VOE20459839	2							Bushing		
16	VOE20798183	1							Cyl Head Gasket		THICK = 1,27 MM 1 BORE
17	VOE20798186	1							Cyl Head Gasket		THICK = 1,37 MM 2 BORES
18	VOE20798191	1							Cyl Head Gasket		THICK = 1,47 MM 3 BORES
19	VOE20459838	19							Bolt		
20	VOE21037969	1							Valve Cover		
21	VOE20412590	1							•Cap		
22	VOE20841035	1							•Gasket		
23	VOE20840801	1							•Gasket		
24	VOE20933359	1							•Oil Separator		
25	VOE20797542	6							•Screw		
26	VOE20859647	2							•Seal		
27	VOE20412589	1							Filler cap		
28	VOE21145471	13							Flange screw		(VOE21037380)
29	VOE20933362	1							Seal		
30	VOE20405895	1							Plug		
31	VOE993358	1							Gasket		(VOE20459972)
32	VOE20516927	1							Sealing ring		
33	VOE13947281	1							Gasket		
34	VOE20483764	1							Nipple		

Date: 2014/2/20	Image id: 1056312	Catalogue: 20105	Model: L90F
Brand: Volvo	Serial: 25006-, 68101-, 71501-	Group/Section: 212/100	Title: Cylinder block

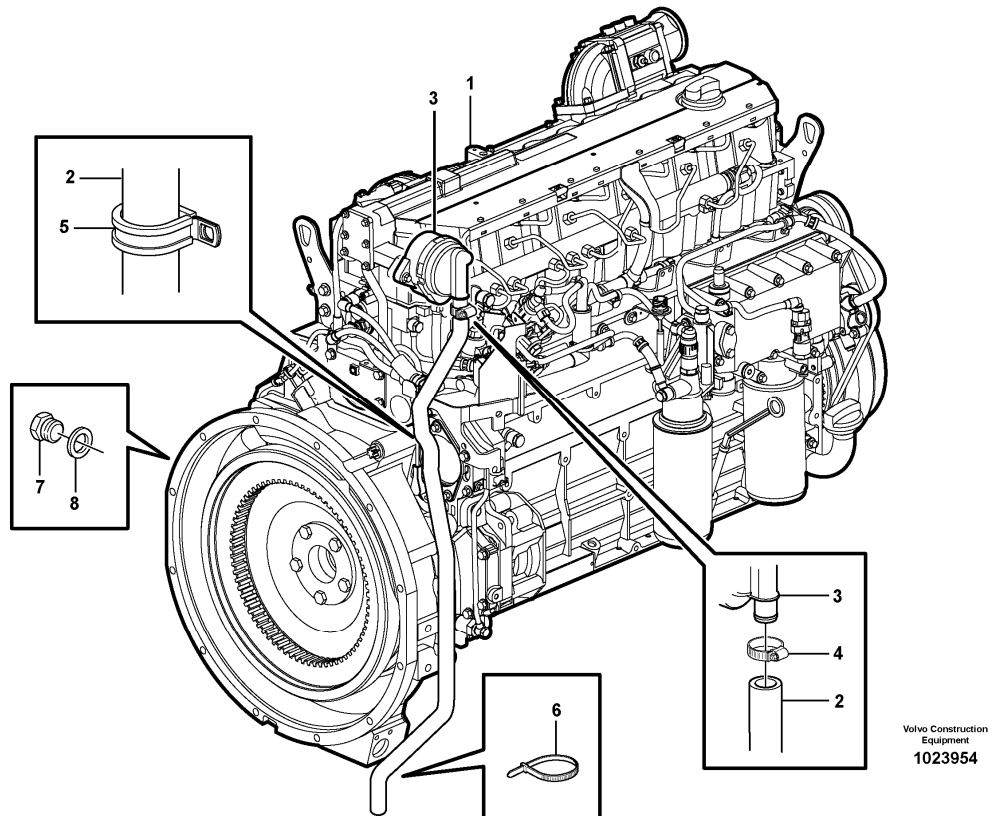


Volvo Construction
Equipment
1056312

Section option	Kit	Option description
VOE11411088		Engine D6ELAE3

Pos	Part	Q1	Q2	Q3	Q4	Q5	PS	Kit	Description	Option(s)	Remark
1	VOE21077566	1							Crankcase		
2	VOE20785813	1							•Plug		
3	VOE20508600	2							•Plug		
4	VOE20412745	5							•Core plug		
5	VOE13969011	2							•Gasket		
6	VOE20405716	2							•Plug		
7	VOE20998904	1							•Plug		
8	VOE20998903	1							•Sealing ring		
9	VOE20459998	1							•Camshaft bushing		
10	VOE20459999	6							•Camshaft bushing		
11	VOE20405721	9							•Core plug		

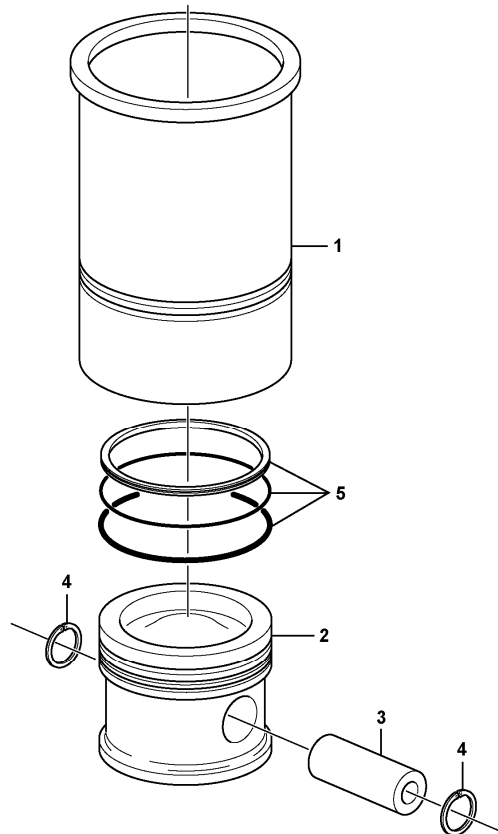
Date: 2014/2/20	Image id: 1023954	Catalogue: 20105	Model: L90F
Brand: Volvo	Serial: 25006-, 68101-, 71501-	Group/Section: 212/200	Title: Crankcase ventilation



Section option	Kit	Option description
VOE33292		Wheel Loader L90F

Pos	Part	Q1	Q2	Q3	Q4	Q5	PS	Kit	Description	Option(s)	Remark
1		1							Motor		See ref 210/100
2	VOE11445236	1							Hose		
3		1							Crankcase ventilation		See ref 212/150
4	VOE13943474	1							Hose clamp		
5	VOE13949997	1							Clamp		
6	VOE4881440	1							Cable tie		
7	VOE11173944	6							Plug		
8	VOE13947282	6							Gasket		

Date: 2014/2/20	Image id: 1024633	Catalogue: 20105	Model: L90F
Brand: Volvo	Serial: 25006-, 68101-, 71501-	Group/Section: 213/100	Title: Cylinder liner and piston

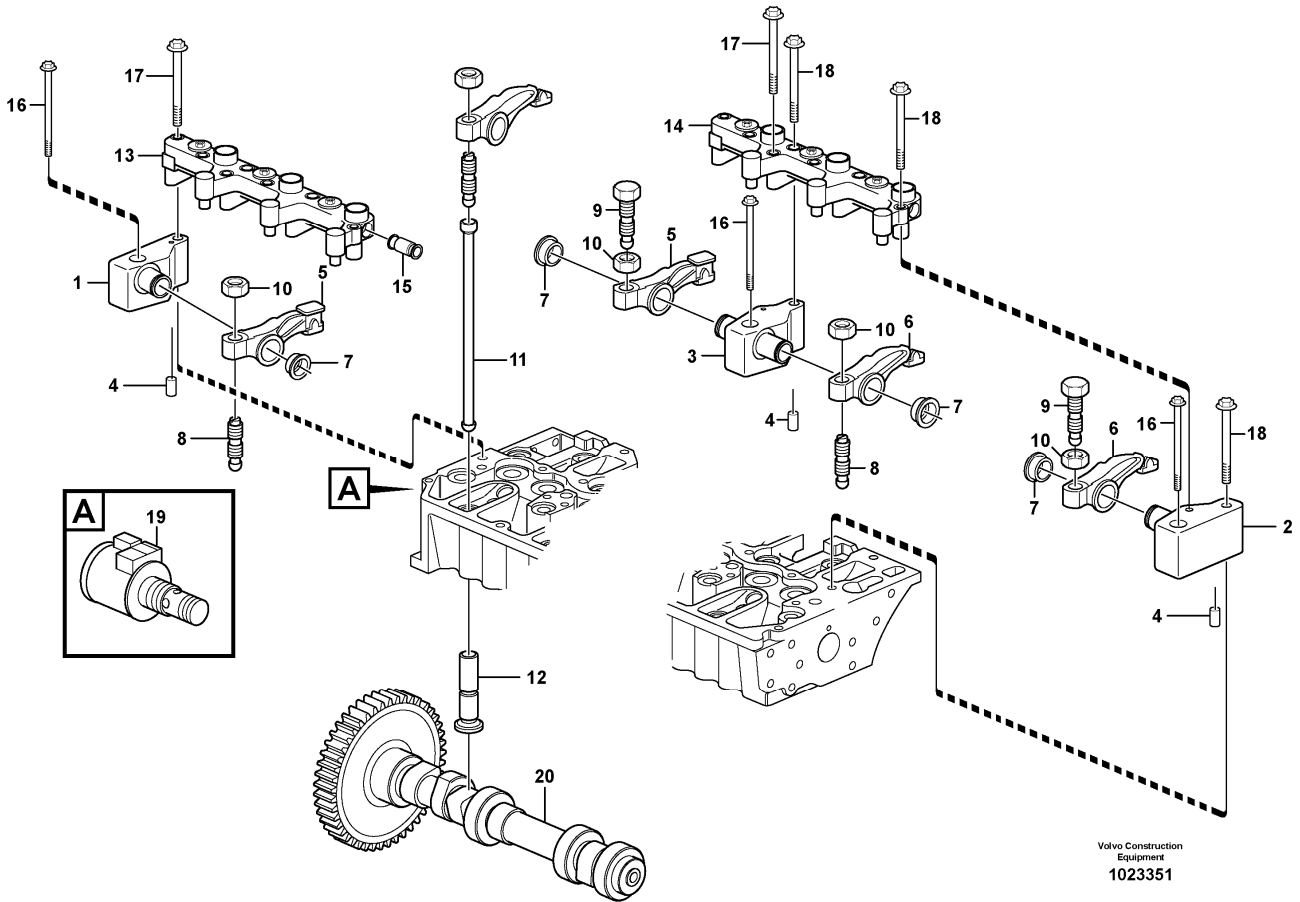


Volvo Construction
Equipment
1024633

Section option	Kit	Option description
VOE11411088		Engine D6ELAE3

Pos	Part	Q1	Q2	Q3	Q4	Q5	PS	Kit	Description	Option(s)	Remark
1	VOE20890422	6							Cyl Liner Kit		
2	VOE20798851	6					NS		•Piston		
3	VOE20798843	6							••Piston Pin		
4	VOE20798020	12							••Lock Ring		
5	VOE20799069	6							••Piston Ring Kit		

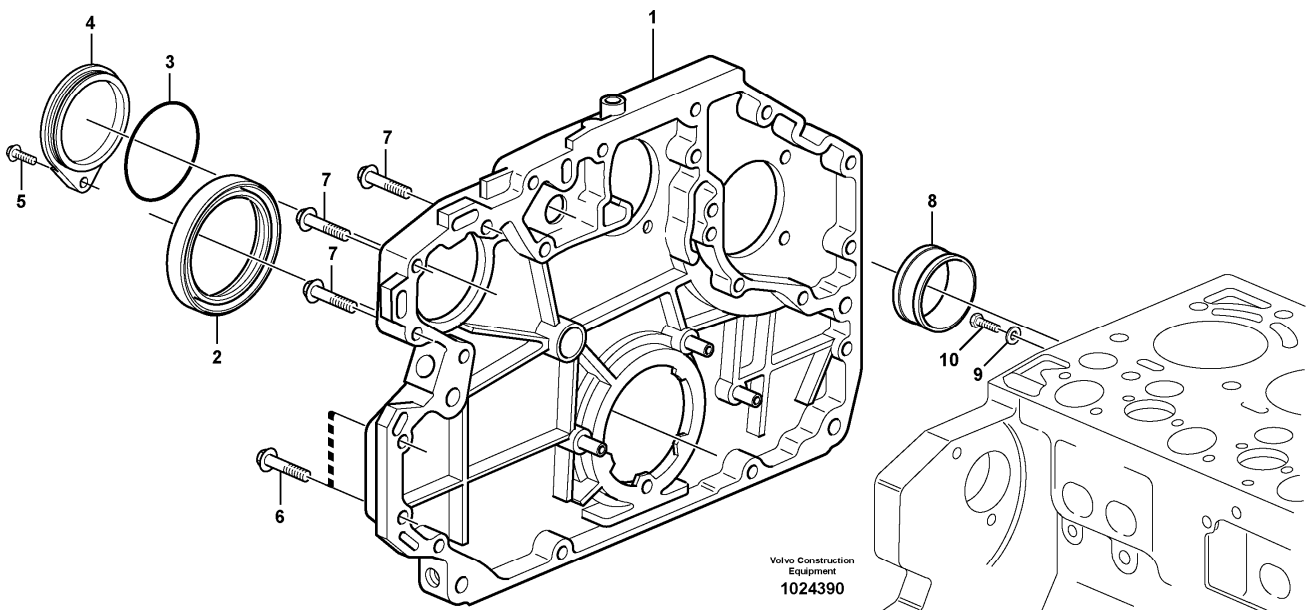
Date: 2014/2/20	Image id: 1023351	Catalogue: 20105	Model: L90F
Brand: Volvo	Serial: 25006-, 68101-, 71501-	Group/Section: 214/100	Title: Valve mechanism



Section option	Kit	Option description
VOE11411088		Engine D6ELAE3

Pos	Part	Q1	Q2	Q3	Q4	Q5	PS	Kit	Description	Option(s)	Remark
1	VOE20799056	1							Bracket		
2	VOE20799047	1							Bracket		
3	VOE20799053	5							Bracket		
4	VOE20790837	7							Pin		
5	VOE20792878	6							Rocker Arm		
6	VOE21448926	6							Rocker arm		(VOE20792876)
7	VOE20794115	12							Retaining ring		
8	VOE20913851	6							Adjusting Screw		
9	VOE20816389	6							Adjusting Screw		
10	VOE11700373	12							Nut		
11	VOE20460008	12							Push rod		

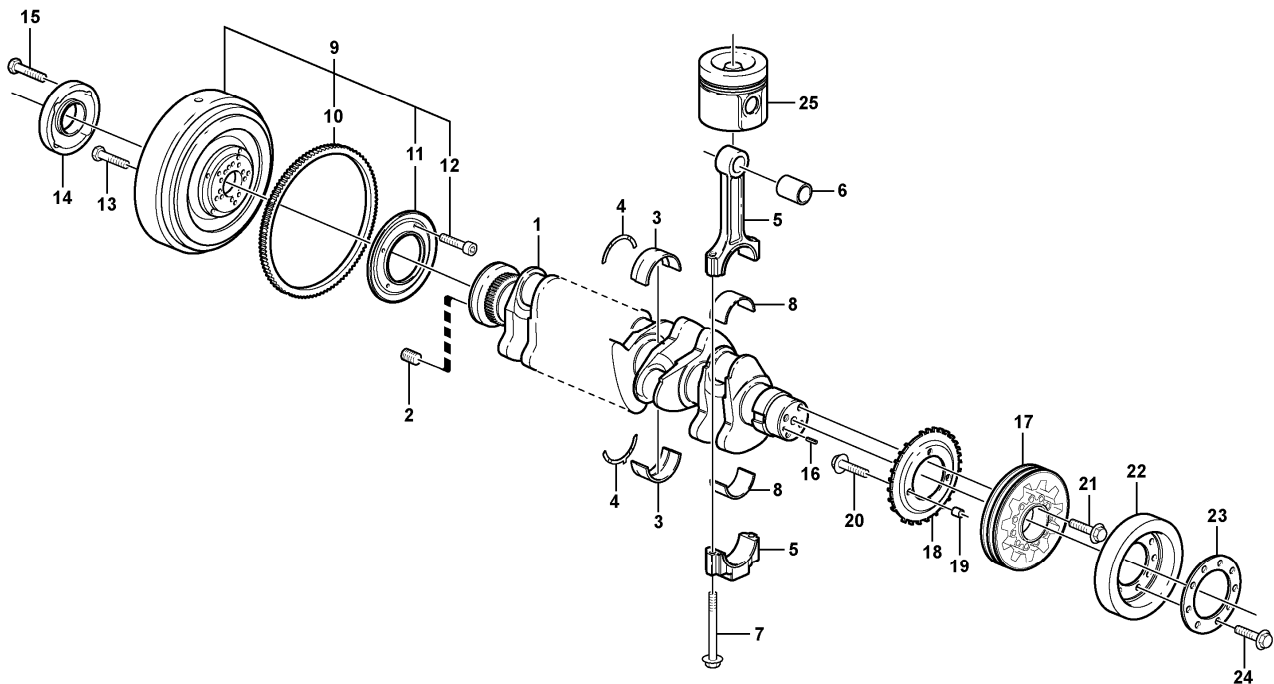
Date: 2014/2/20	Image id: 1024390	Catalogue: 20105	Model: L90F
Brand: Volvo	Serial: 25006-, 68101-, 71501-	Group/Section: 215/100	Title: Timing gear casing



Section option	Kit	Option description
VOE11411088		Engine D6ELAE3

Pos	Part	Q1	Q2	Q3	Q4	Q5	PS	Kit	Description	Option(s)	Remark
1	VOE20841195	1							Gear Housing		
2	VOE20929860	1							Crankshaft Seal		
3	VOE20405652	1							Sealing ring		
4	VOE20950063	1							Cover		
5	VOE20405672	1							Screw		
6	VOE20412324	12							Screw		
7	VOE20450801	3							Screw		
8	VOE20460092	1							Bushing		
9	VOE20460087	1							Washer		
10	VOE20460101	1							Screw		

Date: 2014/2/20	Image id: 1056093	Catalogue: 20105	Model: L90F
Brand: Volvo	Serial: 25006-, 68101-, 71501-	Group/Section: 216/100	Title: Crankshaft and related parts



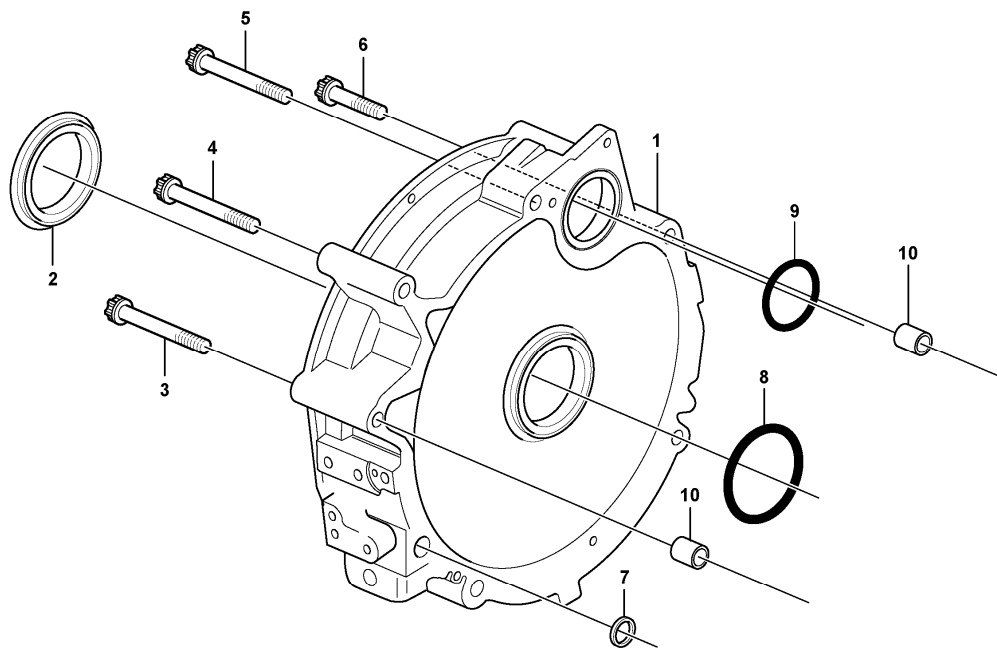
Volvo Construction
Equipment
1056093

Section option	Kit	Option description
VOE11411088		Engine D6ELAE3

Pos	Part	Q1	Q2	Q3	Q4	Q5	PS	Kit	Description	Option(s)	Remark
1	VOE20838068	1							Crankshaft		
2	VOE20459144	10							Insert		
3	VOE20850106	7							Main Bearing		STD 84,00 MM
3	VOE20850110	7							Main Bearing		U SZ 83,75 MM
4	VOE20850116	2							Thrust washer		STD 2,15 MM
4	VOE20850122	2							Thrust Washer		O SZ 2,35 MM
5	VOE20851091	6							Connecting rod		
6	VOE20799647	6							•Piston Bearing		
7	VOE20799587	12							•Bolt		
8	VOE20850096	6							Big End Brg Kit		STD 63,00 MM
8	VOE20850097	6							Big End Brg Kit		U SZ 62,75 MM

9	VOE20917910	1							Flywheel		
10	VOE20450830	1							•Gear		
11	VOE20918003	1							•Ring		
12	VOE20933839	4							•Screw		
13	VOE20450835	10							Screw		
14	VOE20460793	1							Flange		
15	VOE21000755	5							Screw		
16	VOE20450628	1							Pin		
17	VOE20516985	1							Pulley		
18	VOE20841180	1							Lock Washer		
19	VOE20450838	1							Pin		
20	VOE888289	3							Hexagon screw		
21	VOE20405724	4							Screw		
22	VOE20585446	1							Vibration damper		
23	VOE21022723	1							Washer		ENG - 10779813
24	VOE20450756	9							Screw		M10X25 ENG - 10779813
24	VOE993357	9							Flange screw		M10X20 ENG 10779814 -
25		1							Piston		See ref 213/100

Date: 2014/2/20	Image id: 1033647	Catalogue: 20105	Model: L90F
Brand: Volvo	Serial: 25006-, 68101-, 71501-	Group/Section: 216/150	Title: Flywheel housing

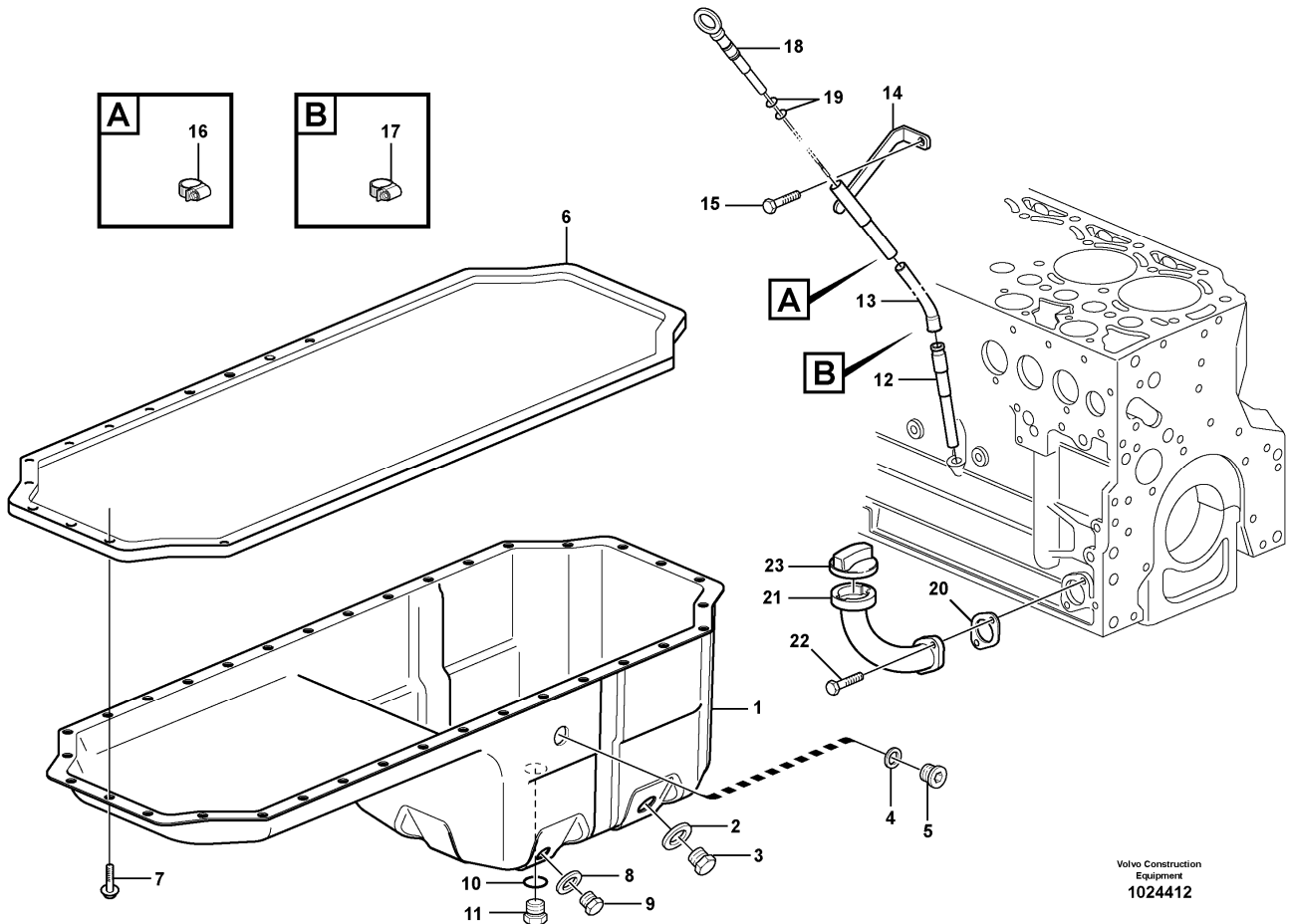


Volvo Construction
Equipment
1033647

Section option	Kit	Option description
VOE11411088		Engine D6ELAE3

Pos	Part	Q1	Q2	Q3	Q4	Q5	PS	Kit	Description	Option(s)	Remark
1	VOE20459987	1							Flywheel housing		
2	VOE20450784	1							•Labyrinth ring		
3	VOE20459996	1							Screw		
4	VOE20459995	1							Screw		
5	VOE20459991	3							Screw		
6	VOE20460931	1							Screw		
7	VOE20459993	4							O-ring		
8	VOE20450786	1							Sealing ring		
9	VOE20459994	1							Sealing ring		
10	VOE20585971	2							Bushing		

Date: 2014/2/20	Image id: 1024412	Catalogue: 20105	Model: L90F
Brand: Volvo	Serial: 25006-, 68101-, 71501-	Group/Section: 217/100	Title: Oil sump

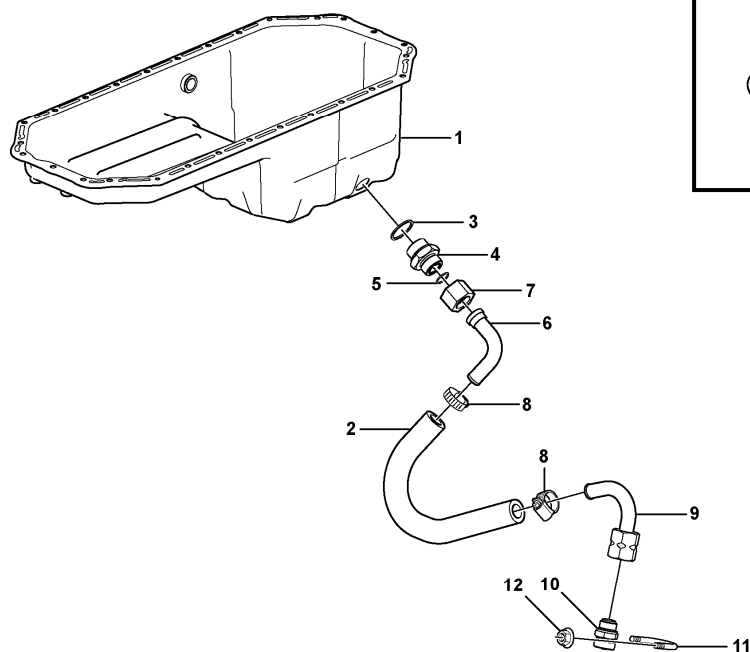


Volvo Construction
Equipment
1024412

Section option	Kit	Option description
VOE11411088		Engine D6ELAE3

Pos	Part	Q1	Q2	Q3	Q4	Q5	PS	Kit	Description	Option(s)	Remark
1	VOE20839076	1							Oil Pan		(VOE21109768)
2	VOE20496256	1							•Gasket		
3	VOE20496257	1							•Plug		
4	VOE20460026	1							•Sealing ring		
5	VOE20460024	1							•Plug		
6	VOE20460022	1							Gasket		
7	VOE20405792	28							Screw		
8	VOE13947624	1							Plane gasket		
9	VOE20405506	1							Plug		
10	VOE20515173	1							Gasket		
11	VOE20515171	1							Plug		

Date: 2014/2/20	Image id: 1019351	Catalogue: 20105	Model: L90F
Brand: Volvo	Serial: 25006-, 68101-, 71501-	Group/Section: 217/150	Title: Draining of oil sump



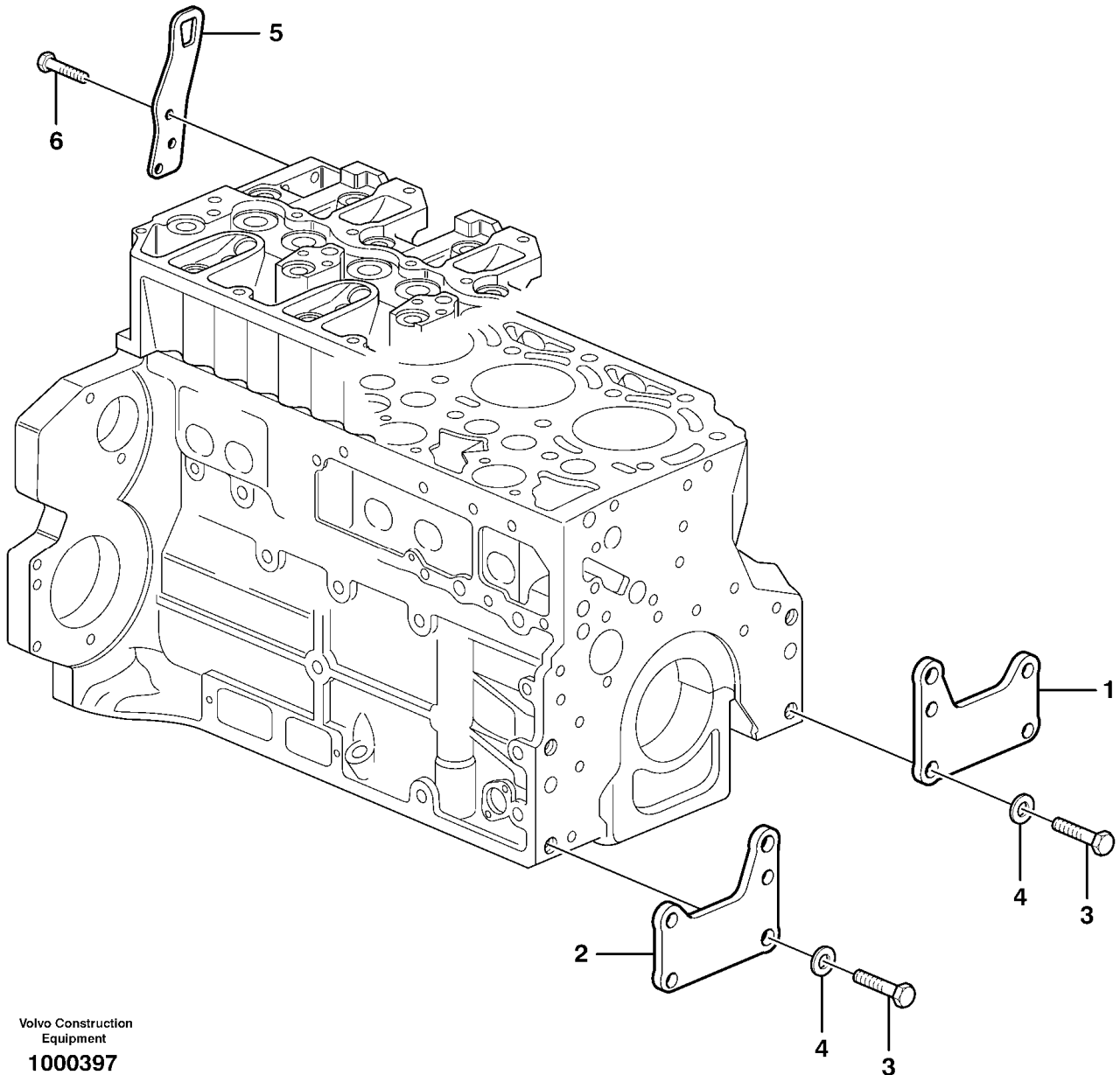
Volvo Construction
Equipment
1019351

Section option	Kit	Option description
VOE33292		Wheel Loader L90F

Pos	Part	Q1	Q2	Q3	Q4	Q5	PS	Kit	Description	Option(s)	Remark
1		1							Oil Pan		See ref 217/100
2	VOE190993	REQ							Hose		L = 430 MM
3	VOE993600	1							Gasket		
4	VOE11163064	1							Nipple		
5	VOE990740	1							O-ring		
6	VOE11410190	1							Drain tube		
7	VOE13933877	1							Fitting nut		
8	VOE943473	2							Hose clamp		
9	VOE11173508	1							Drain tube		
10	VOE11054692	1							Valve		
11	VOE11130269	1							Clamp		

12	VOE948645	2							Flange lock nut		
13	VOE11154125	1							Hose		SER NO - 26953 L = 1400MM
13	VOE11027418	1							Hose		SER NO 26954 - L = 500 MM
14	VOE11054659	1							Connector		L = 1400 MM
15	VOE943473	1							Hose clamp		

Date: 2014/2/20	Image id: 1000397	Catalogue: 20105	Model: L90F
Brand: Volvo	Serial: 25006-, 68101-, 71501-	Group/Section: 218/100	Title: Engine mounting



Volvo Construction
Equipment
1000397

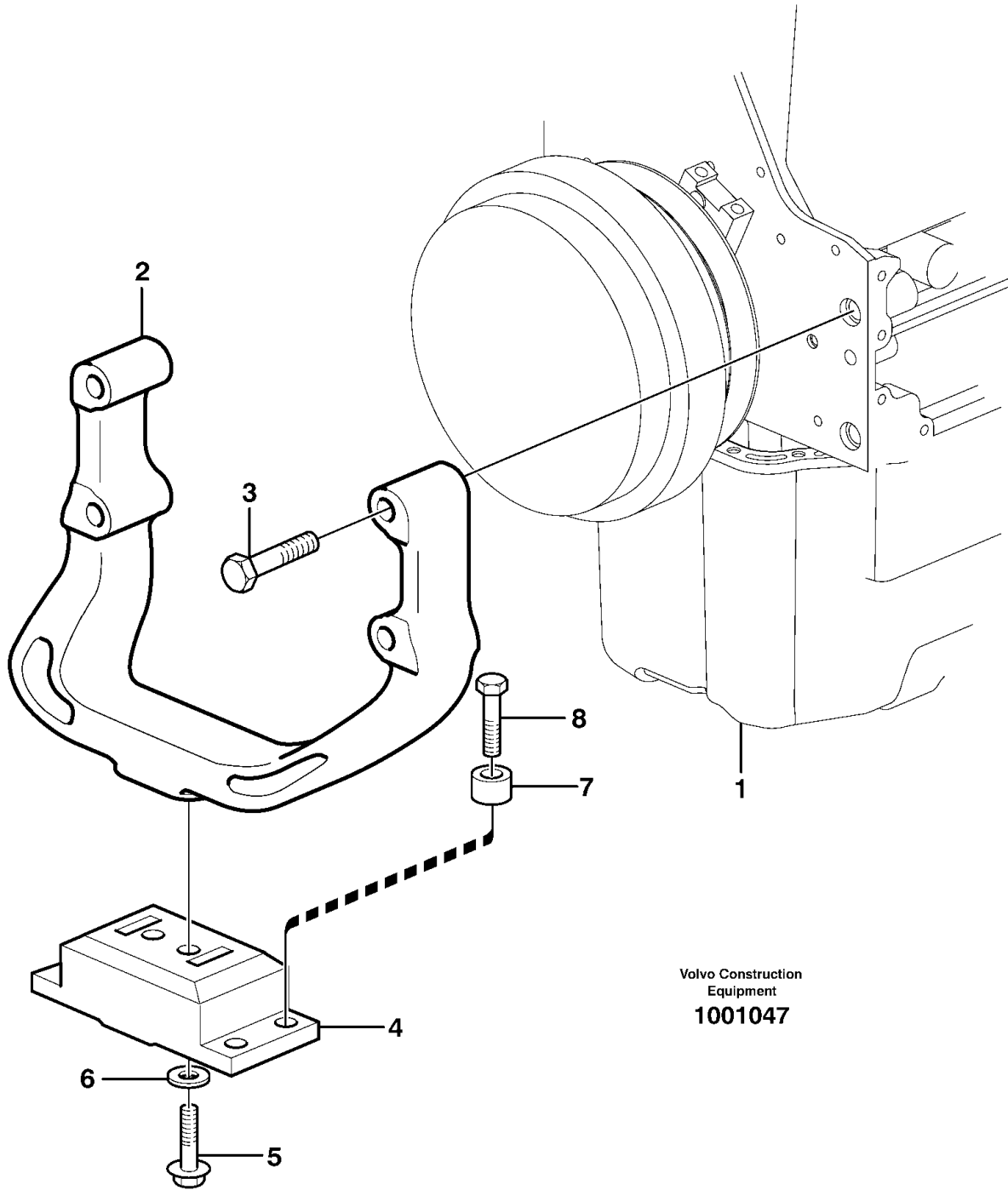
Section option	Kit	Option description
VOE11411088		Engine D6ELAE3

Pos	Part	Q1	Q2	Q3	Q4	Q5	PS	Kit	Description	Option(s)	Remark
1	VOE20723978	1							Bracket		
2	VOE20723984	1							Bracket		
3	VOE20535027	4							Screw		

VOLVO

Construction Equipment

Date: 2014/2/20	Image id: 1001047	Catalogue: 20105	Model: L90F
Brand: Volvo	Serial: 25006-, 68101-, 71501-	Group/Section: 218/150	Title: Engine mounting

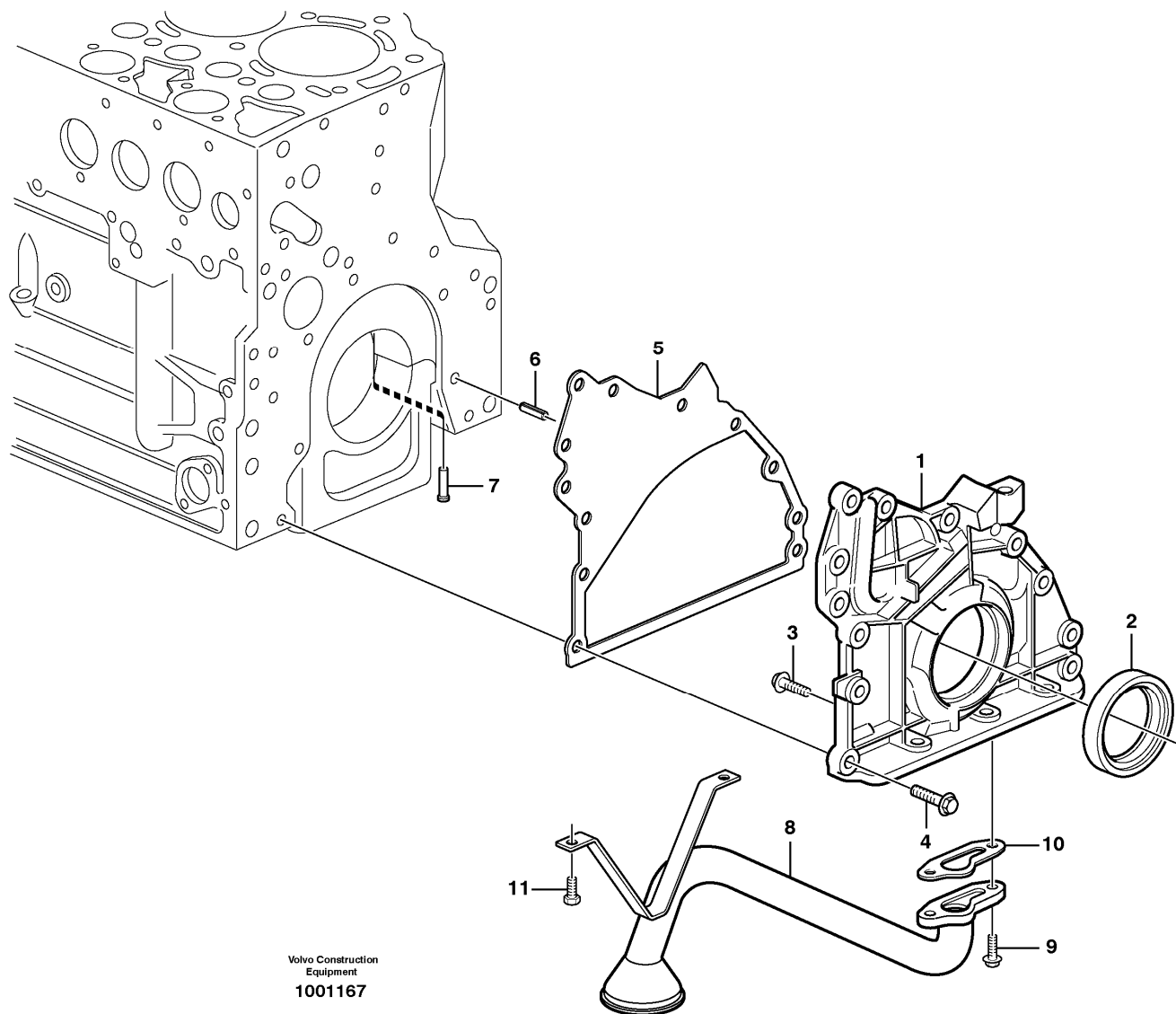


Volvo Construction
Equipment
1001047

Section option	Kit	Option description
VOE33292		Wheel Loader L90F

Pos	Part	Q1	Q2	Q3	Q4	Q5	PS	Kit	Description	Option(s)	Remark
1		1							Engine		See ref 210/100
2	VOE11411335	1							Engine anchorage		
3	VOE963320	4							Hexagon screw		
4	VOE20503552	1							Rubber cushion		
5	VOE966362	2							Flange screw		
6	VOE930844	2							Washer		
7	VOE11025923	4							Spacer		
8	VOE13965193	4							Screw		

Date: 2014/2/20	Image id: 1001167	Catalogue: 20105	Model: L90F
Brand: Volvo	Serial: 25006-, 68101-, 71501-	Group/Section: 221/100	Title: Lubricating oil system



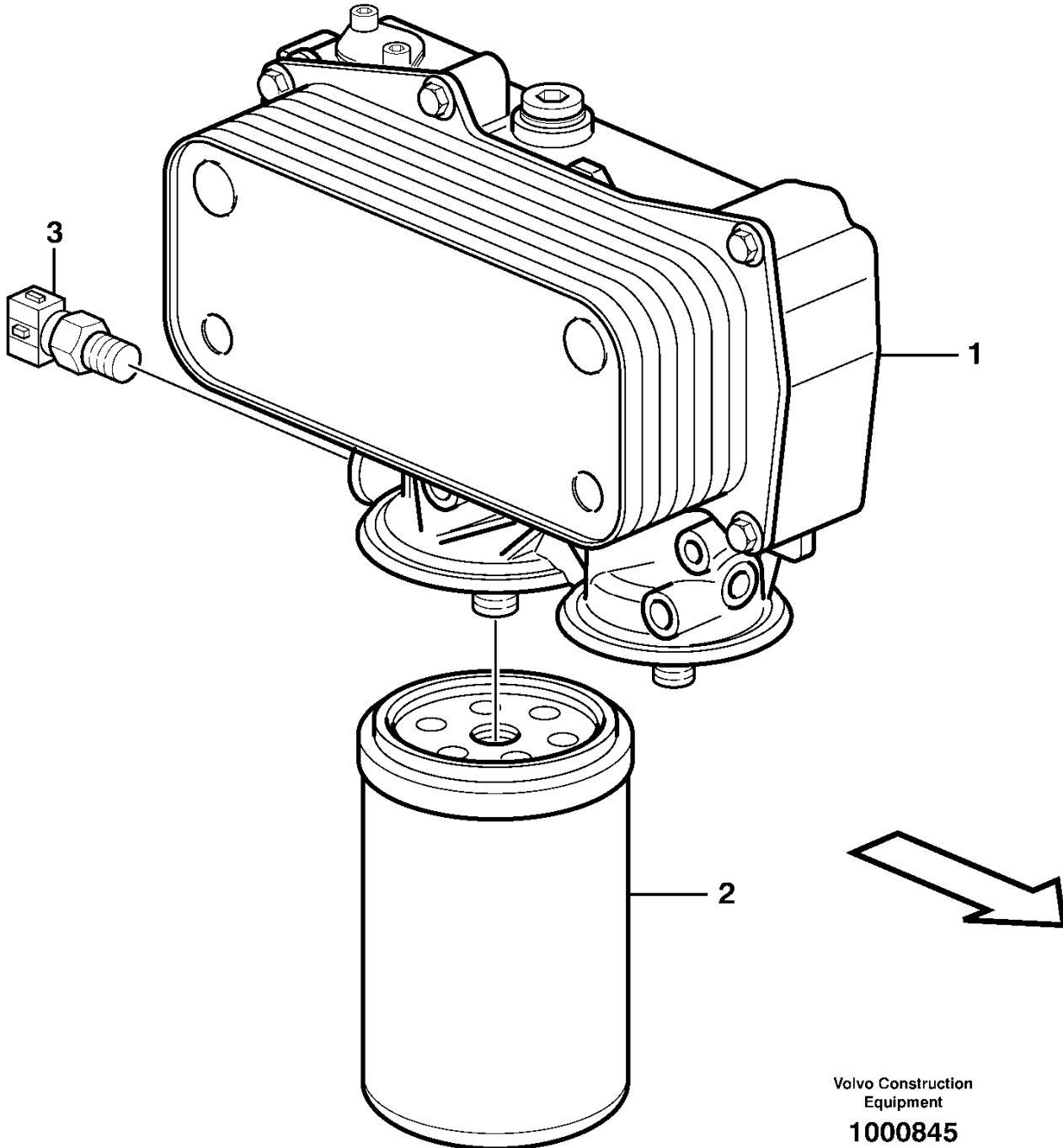
Section option	Kit	Option description
VOE11411088		Engine D6ELAE3

Pos	Part	Q1	Q2	Q3	Q4	Q5	PS	Kit	Description	Option(s)	Remark
1	VOE20574451	1							Oil Pump		
2	VOE20459168	1							•Crankshaft seal		
3	VOE20451738	1							•Screw		
4	VOE20412324	10							Screw		
5	VOE20537029	1							Gasket		
6	VOE20405603	1							Spring pin		

VOLVO

Construction Equipment

Date: 2014/2/20	Image id: 1000845	Catalogue: 20105	Model: L90F
Brand: Volvo	Serial: 25006-, 68101-, 71501-	Group/Section: 222/100	Title: Oil filter

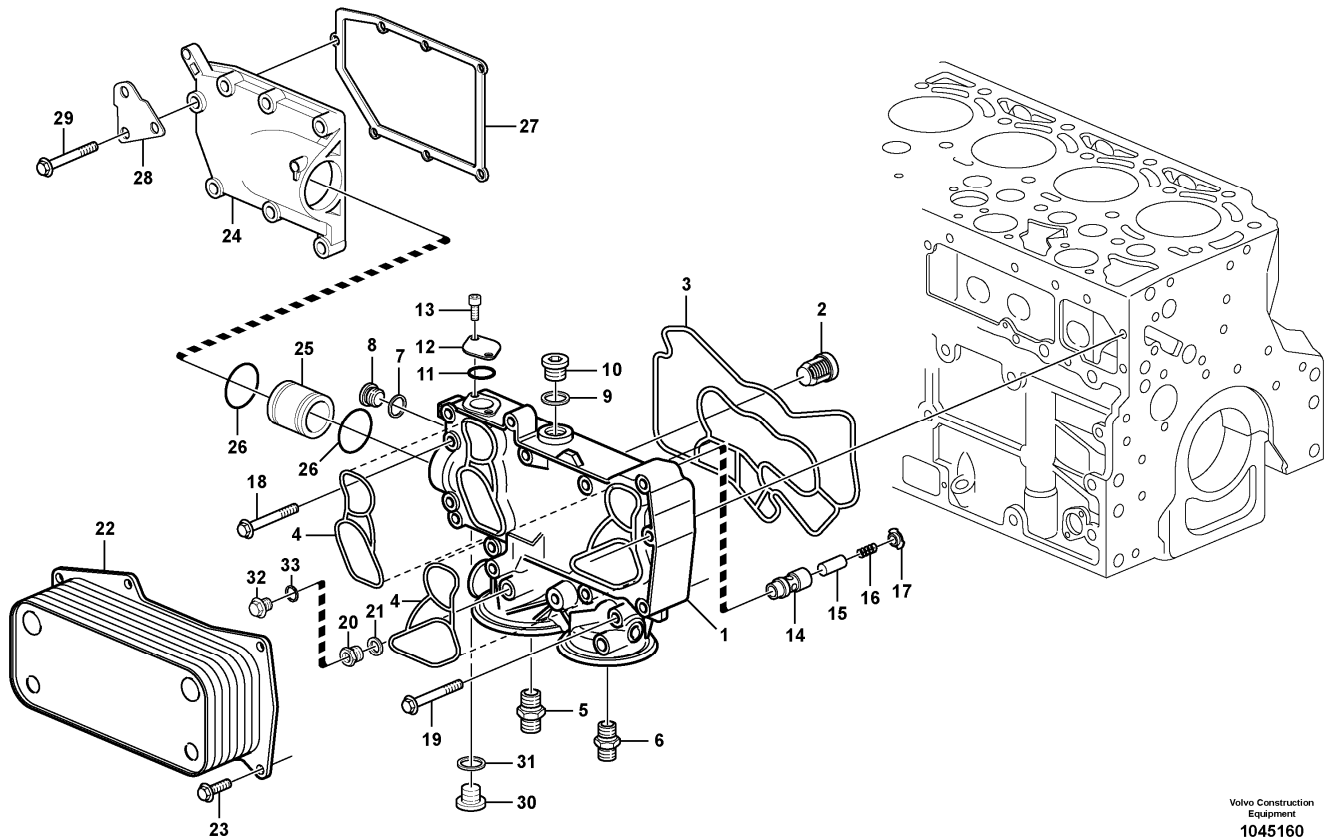


Volvo Construction
Equipment
1000845

Section option	Kit	Option description
VOE11411088		Engine D6ELAE3

Pos	Part	Q1	Q2	Q3	Q4	Q5	PS	Kit	Description	Option(s)	Remark
1		1							Oil Filter Hsg		See ref 223/100
2	VOE3831236	1							Oil filter		
3		1							Sensor		See ref 371/150

Date: 2014/2/20	Image id: 1045160	Catalogue: 20105	Model: L90F
Brand: Volvo	Serial: 25006-, 68101-, 71501-	Group/Section: 223/100	Title: Oil cooler



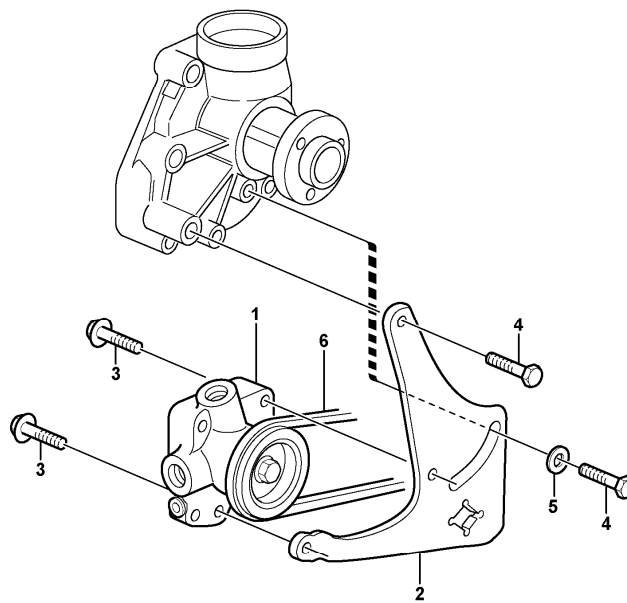
Volvo Construction
Equipment
1045160

Section option	Kit	Option description
VOE11411088		Engine D6ELAE3

Pos	Part	Q1	Q2	Q3	Q4	Q5	PS	Kit	Description	Option(s)	Remark
1	VOE21099784	1							Oil cooler		
2	VOE20459204	1							•Valve		
3	VOE20459203	1							•Gasket		
4	VOE20459202	2							•Gasket		
5	VOE20459201	1							•Nipple		
6	VOE20459200	1							•Nipple		
7	VOE13947622	1							•Plane gasket		
8	VOE20502245	1							•Screw plug		
9	VOE13947628	1							•Plane gasket		
10	VOE20459195	1							•Plug		
10	VOE20496519	1							Nipple		

11	VOE20405599	1							•Sealing ring		
12	VOE21072778	1							•Flange		
13	VOE20405885	2							•Screw		
14		1					NS		•Valve seat		
15		1					NS		•Plunger		
16		1					NS		•Spring		
17		1					NS		•Sleeve		
18	VOE20405672	5							•Screw		
19	VOE20405917	3							•Screw		
20	VOE21100412	1							•Screw		
21	VOE13969011	1							•Gasket		
22	VOE20511773	1							Oil cooler		
23	VOE20405885	7							Screw		
24	VOE20796351	1							Tank		
25	VOE20459191	1							Plug		
26	VOE20459193	2							Sealing ring		
27	VOE20459192	1							Gasket		
28	VOE20914901	1							Retaining Plate		
29	VOE20412324	7							Screw		
30	VOE888474	1							Plug		
31	VOE20450890	1							Sealing ring		
32	VOE20450895	1							Plug		E PROD - 01/2007
32	VOE21011809	1							Plug		L PROD 02/2007 - INCL. SEALING RING
33	VOE13947281	1							Gasket		E PROD - 01/2007

Date: 2014/2/20	Image id: 1019562	Catalogue: 20105	Model: L90F
Brand: Volvo	Serial: 25006-, 68101-, 71501-	Group/Section: 233/100	Title: Fuel pump

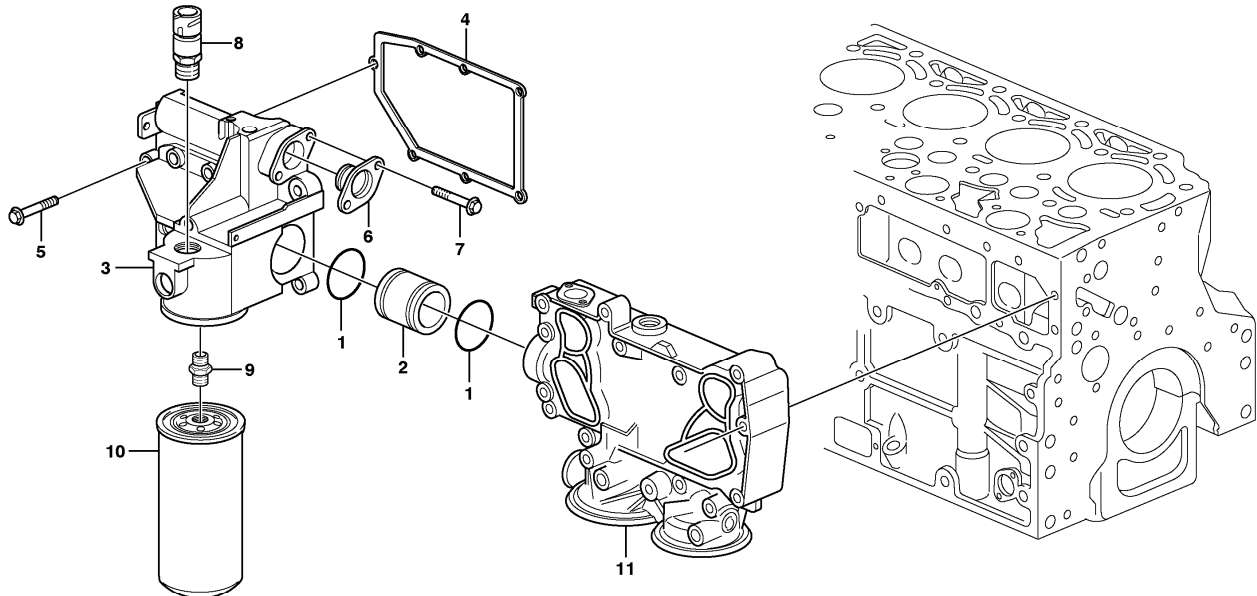


Volvo Construction
Equipment
1019562

Section option	Kit	Option description
VOE11411088		Engine D6ELAE3

Pos	Part	Q1	Q2	Q3	Q4	Q5	PS	Kit	Description	Option(s)	Remark
1	VOE20980697	1							Fuel pump		
2	VOE20880927	1							Bracket		
3	VOE13949578	2							Screw		
4	VOE20441860	2							Screw		
5	VOE20405734	1							Washer		
6		1							V-belt		See ref 263/400

Date: 2014/2/20	Image id: 1023382	Catalogue: 20105	Model: L90F
Brand: Volvo	Serial: 25006-, 68101-, 71501-	Group/Section: 233/150	Title: Fuel filter

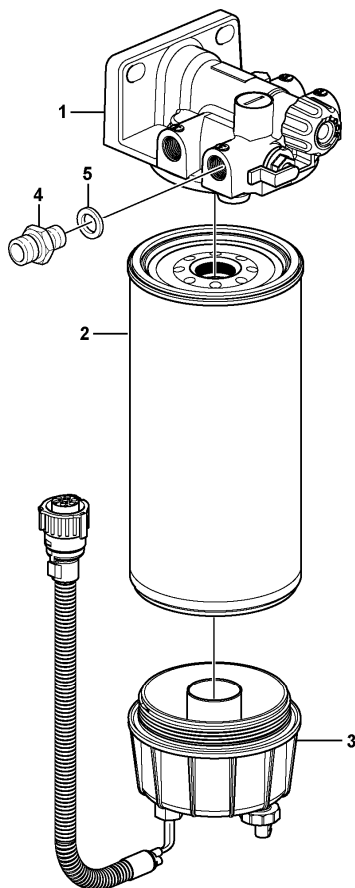


Volvo Construction
Equipment
1023382

Section option	Kit	Option description
VOE11411088		Engine D6ELAE3

Pos	Part	Q1	Q2	Q3	Q4	Q5	PS	Kit	Description	Option(s)	Remark
1	VOE20459193	2							Sealing ring		
2	VOE20459191	1							Plug		
3	VOE21307519	1							Filter housing		(VOE20805387)
4	VOE20459192	1							Gasket		
5	VOE20412324	7							Screw		
6	VOE20798139	1							Cover		
7	VOE20450728	2							Bolt		
8		1							Sensor		See ref 371/150
9	VOE20818370	1							Screw Bushing		
10	VOE20805349	1							Fuel Filter		
11		1							Oil Filter Hsg		See ref 223/100

Date: 2014/2/20	Image id: 1053002	Catalogue: 20105	Model: L90F
Brand: Volvo	Serial: 25006-, 68101-, 71501-	Group/Section: 233/200	Title: Water separator



Volvo Construction
Equipment
1053002

Section option	Kit	Option description
VOE33292		Wheel Loader L90F
VOE33298		Wheel loader L90F IMA
VOE83058		Water separator with heater
VOE84867	VOE15145248	Fuel filter

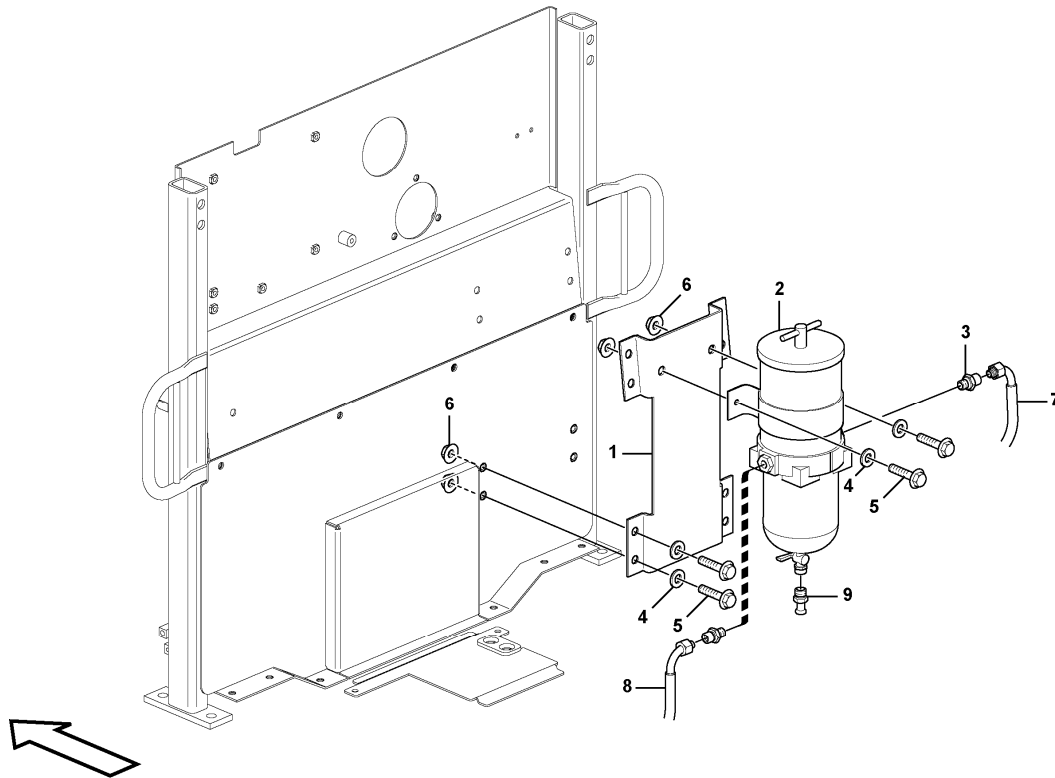
Q1-Q5	Option	Option description	
Q1 33292	VOE33292	Wheel Loader L90F	
Q2 83058 33298	VOE83058	Water separator with heater	
Q3 84867	VOE84867	Fuel filter	

Pos	Part	Q1	Q2	Q3	Q4	Q5	PS	Kit	Description	Option(s)	Remark
	VOE11110709	1							Water separator		
	VOE11110791		1						Water separator		
1	VOE11110708	1					NS		•Filter Housing		

1	VOE11110702		1				OP		•Filter housing		
2	VOE11110683	1	1						•Primary filter		
3	VOE11110737	1							•Bowl		SE2302
	VOE15195930	1							••Kit		See footnote 2624)
	VOE15195958	1							••Gasket kit		See footnote 2624)
3	VOE11110738		1						•Bowl		SE2302, HE2301
	VOE15195930		1						••Kit		See footnote 2624)
	VOE15195958		1						••Gasket kit		See footnote 2624)
4	VOE14213266			1					Fitting		
5	VOE14213676			1					•Sealing ring		

2624) Not Shown

Date: 2014/2/20	Image id: 1052569	Catalogue: 20105	Model: L90F
Brand: Volvo	Serial: 25006-, 68101-, 71501-	Group/Section: 233/300	Title: Filter with fitting parts 84867



Volvo Construction
Equipment
1052569

Section option	Kit	Option description
VOE84867	VOE15145248	Fuel filter

Pos	Part	Q1	Q2	Q3	Q4	Q5	PS	Kit	Description	Option(s)	Remark
1	VOE15100749	1							Bracket		
2		1							Fuel Filter		See ref 233/350
3	VOE943299	2							Nipple		
4	VOE976945	10							Washer		
5	VOE946441	10							Flange screw		
6	VOE13971098	6							Flange nut		
7	VOE11410365	1							Fuel pipe		
8	VOE11410636	1							Fuel pipe		
9	VOE947043	1							Nipple		



Suggest:

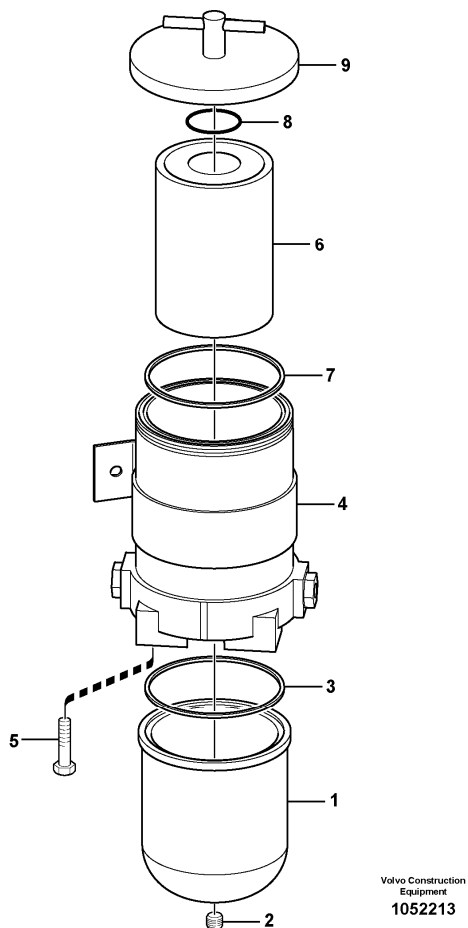
For more complete manuals. Please go to the home page.

<https://www.ebooklibonline.com>

If the above button click is invalid. Please download this document first, and then click the above link to download the complete manual.

Thank you so much for reading

Date: 2014/2/20	Image id: 1052213	Catalogue: 20105	Model: L90F
Brand: Volvo	Serial: 25006-, 68101-, 71501-	Group/Section: 233/350	Title: Filter 84867



Section option	Kit	Option description
VOE84867	VOE15145248	Fuel filter

Pos	Part	Q1	Q2	Q3	Q4	Q5	PS	Kit	Description	Option(s)	Remark
	VOE877768	1							Water separator		
1	VOE3838851	1					NS		•Bowl		
2	VOE952075	1							•Plug		
3	VOE846719	1							•Gasket		
4		1					NS		•Housing		
5	VOE940094	4							•Hexagon screw		
6	VOE3838852	1							•Fuel filter insert		
7	VOE846719	1							•Gasket		
8	VOE838506	1							•O-ring		
9		1					NS		•Cap		

<https://www.ebooklibonline.com>

Hello dear friend!

Thank you very much for reading.

Enter the link into your browser.

The full manual is available for immediate download.

<https://www.ebooklibonline.com>