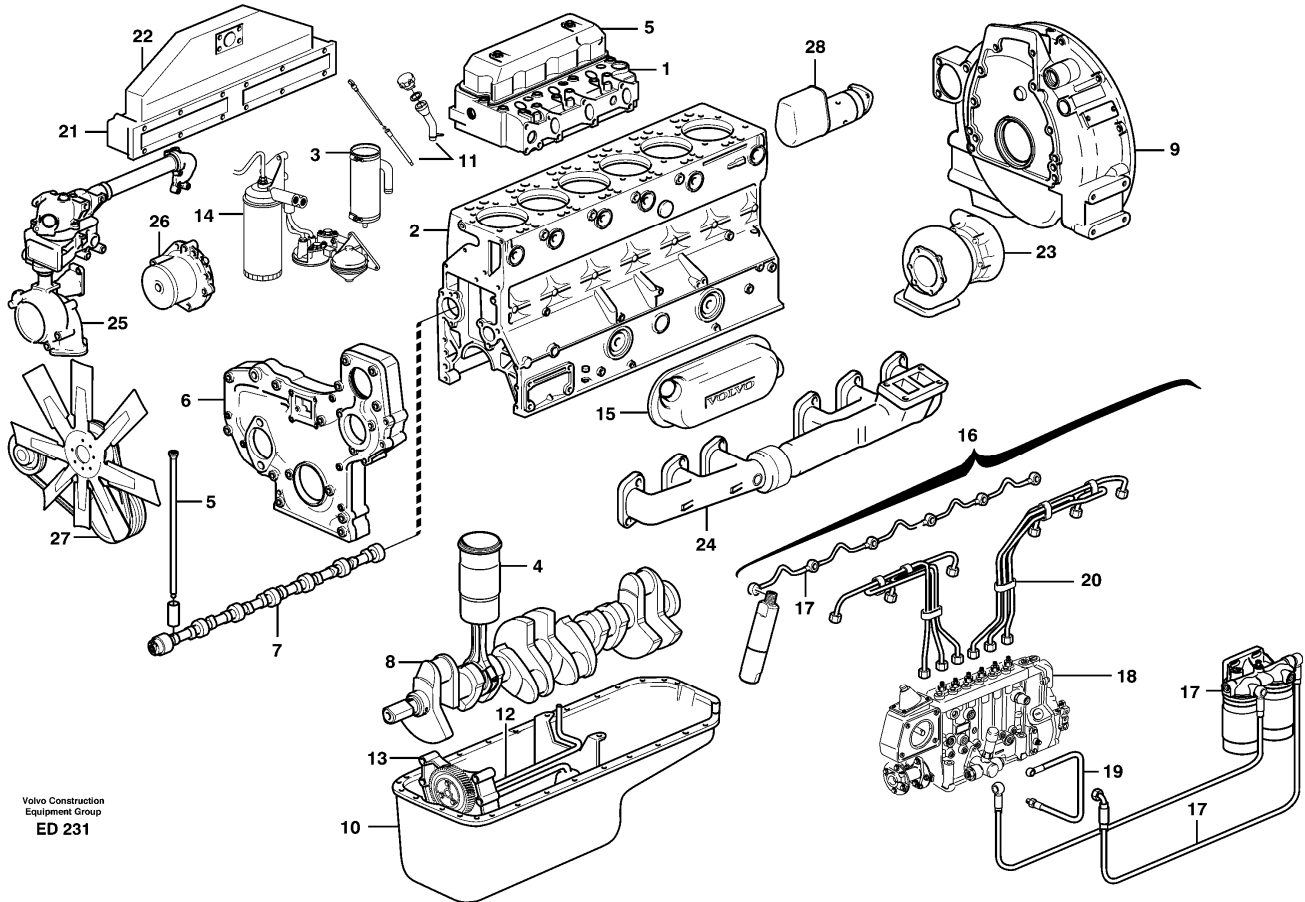


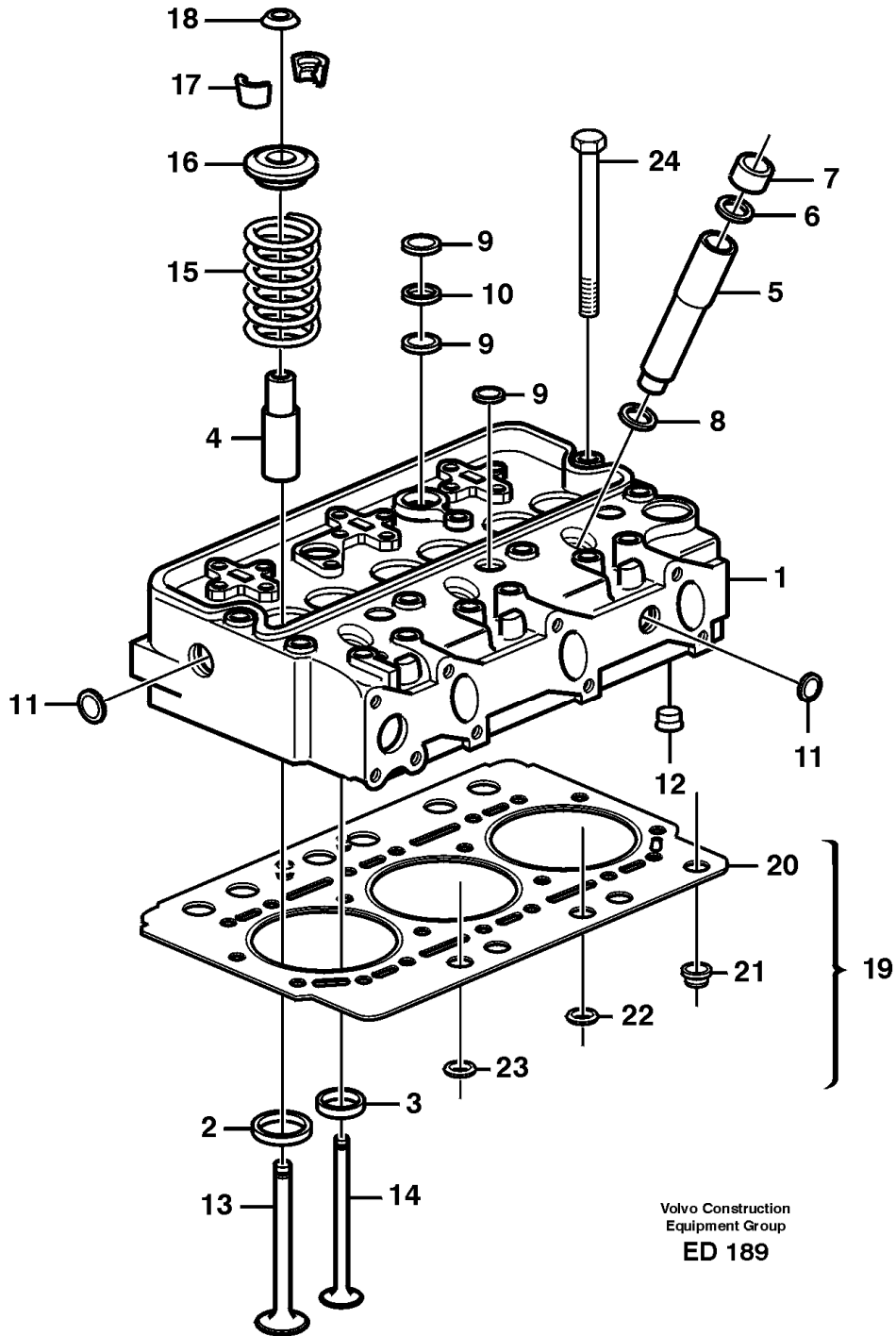
Date: 2014/2/19	Image id: ED231	Catalogue: 97811	Model: L90D OR
Brand: Volvo	Serial: 65001-65037	Group/Section: 210/150	Title: Engine



Pos	Part	Q1	Q2	Q3	Q4	Q5	PS	Kit	Description	Option(s)	Remark
	VOE15004128	1							Engine		(VOE8188107)TD 63 KBE
1		2							•Cylinder head		See ref 211/100
2		1							•Cylinder block		See ref 212/100
3		1							•Crankcase ventilation		See ref 212/200
4		1							•Cylinder liner		See ref 213/100
5		1							•Valve mechanism		See ref 214/100
6		1							•Timing gear casing		See ref 215/100
7		1							•Camshaft		See ref 215/150
8		1							•Crankshaft		See ref 216/100
9		1							•Flywheel housing		See ref 216/150
10		1							•Oil sump		See ref 217/100
11		1							•Oil filler and oil		See ref 217/150
									••••dipstick		
12		1							•Lubricating system		See ref 221/100

13		1							••Oil pump		See ref 221/150
14		1							•Oil filter		See ref 222/100
15		1							•Oil cooler with hoses		See ref 223/100
									•••Nipple		
16		1							•Fuel system		See ref 230/100
17		1							••Fuel pipes		See ref 235/150
18		1							••Injection pump		See ref 236/100
19		1							••Oil pipe		See ref 236/200
20		1							••Fuel pipe		See ref 237/100
21		1							•Inlet pipe		See ref 251/100
22		1							•Charge air cooler		See ref 258/100
23		1							•Turbocharger		See ref 255/100
24		1							•Exhaust pipe		See ref 251/100
25		1							•Water pump, thermosta		See ref 262/100
26		1							•Water pump		See ref 262/150
27		1							•Belt transmission		See ref 263/150
28		1							•Starter motor		See ref 331/100

Date: 2014/2/19	Image id: ED189	Catalogue: 97811	Model: L90D OR
Brand: Volvo	Serial: 65001-65037	Group/Section: 211/100	Title: Cylinder head



Pos	Part	Q1	Q2	Q3	Q4	Q5	PS	Kit	Description	Option(s)	Remark
	VOE420878	2							Cylinder head		

<https://www.ebooklibonline.com>

Hello dear friend!

Thank you very much for reading.

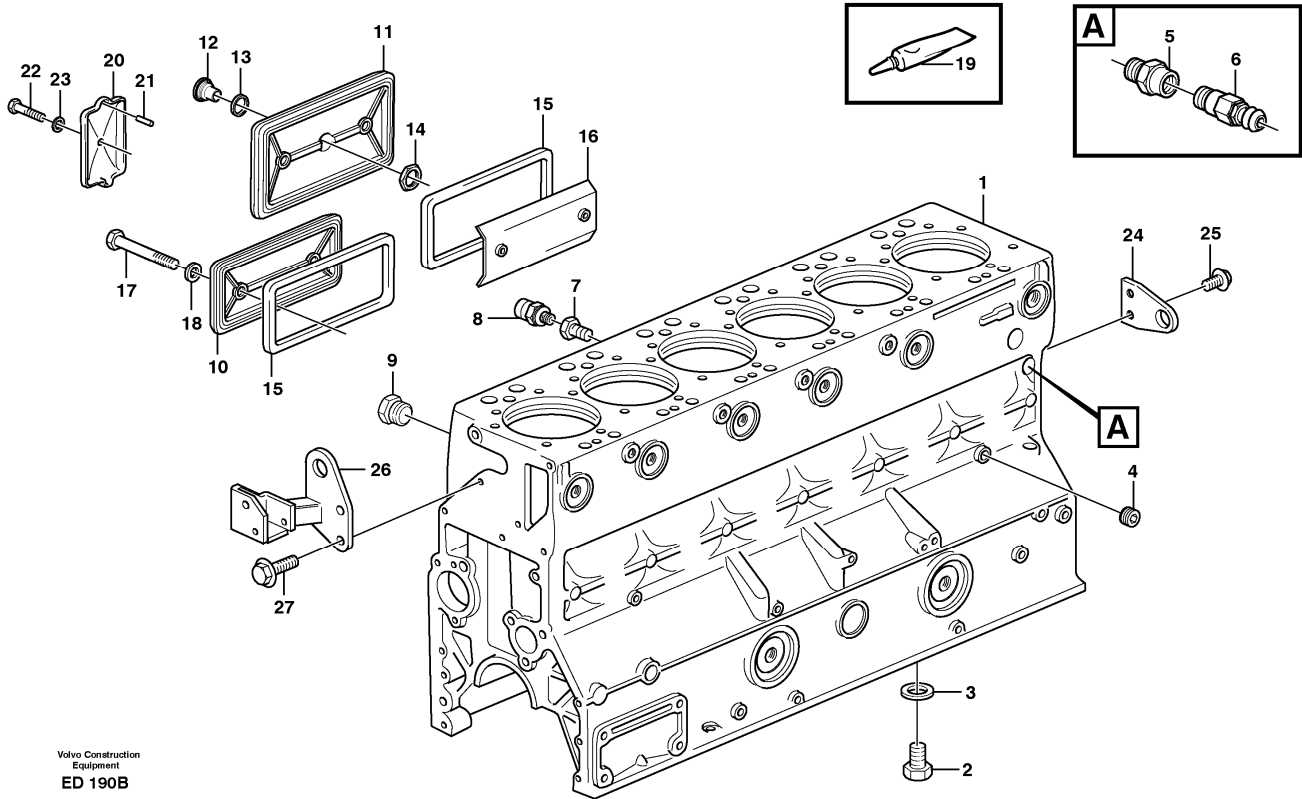
Enter the link into your browser.

The full manual is available for immediate download.

<https://www.ebooklibonline.com>

1	VOE420939	2					NS		•Cylinder head		
2	VOE420874	6							••Valve seat		STD, INLET
	VOE420876	6							••Valve seat		0,20 O SZ
3	VOE420875	6							••Valve seat		STD, EXHAUST
	VOE420877	6							••Valve seat		0,20 O SZ
4	VOE477792	12							••Valve guide		
5	VOE8192085	6							••Sleeve		
6	VOE466405	6							••Sealing ring		
7	VOE466420	6							••Ring		
8	VOE466922	6							••Sealing ring		
9	VOE477026	14							••Expansion plug		
10	VOE947626	4							••Gasket		
11	VOE477024	8							••Expansion plug		
12	VOE465420	4							••Nozzle		
13	VOE420553	6					SS		•Inlet valve		
14	VOE8192143	6							•Exhaust valve		
15	VOE465233	12							•Valve spring		
16	VOE465550	12							•Washer		
17	VOE1677875	24							•Valve Collet		
18	VOE465551	12							•Protecting sleeve		
19	VOE276821	2							Gasket kit		
20	VOE8192029	2					NS		•Gasket		
21	VOE466421	16							•Sealing ring		
22	VOE465784	12							•Sealing		
23	VOE422413	2							•Sealing ring		
24	VOE465840	40							Screw		

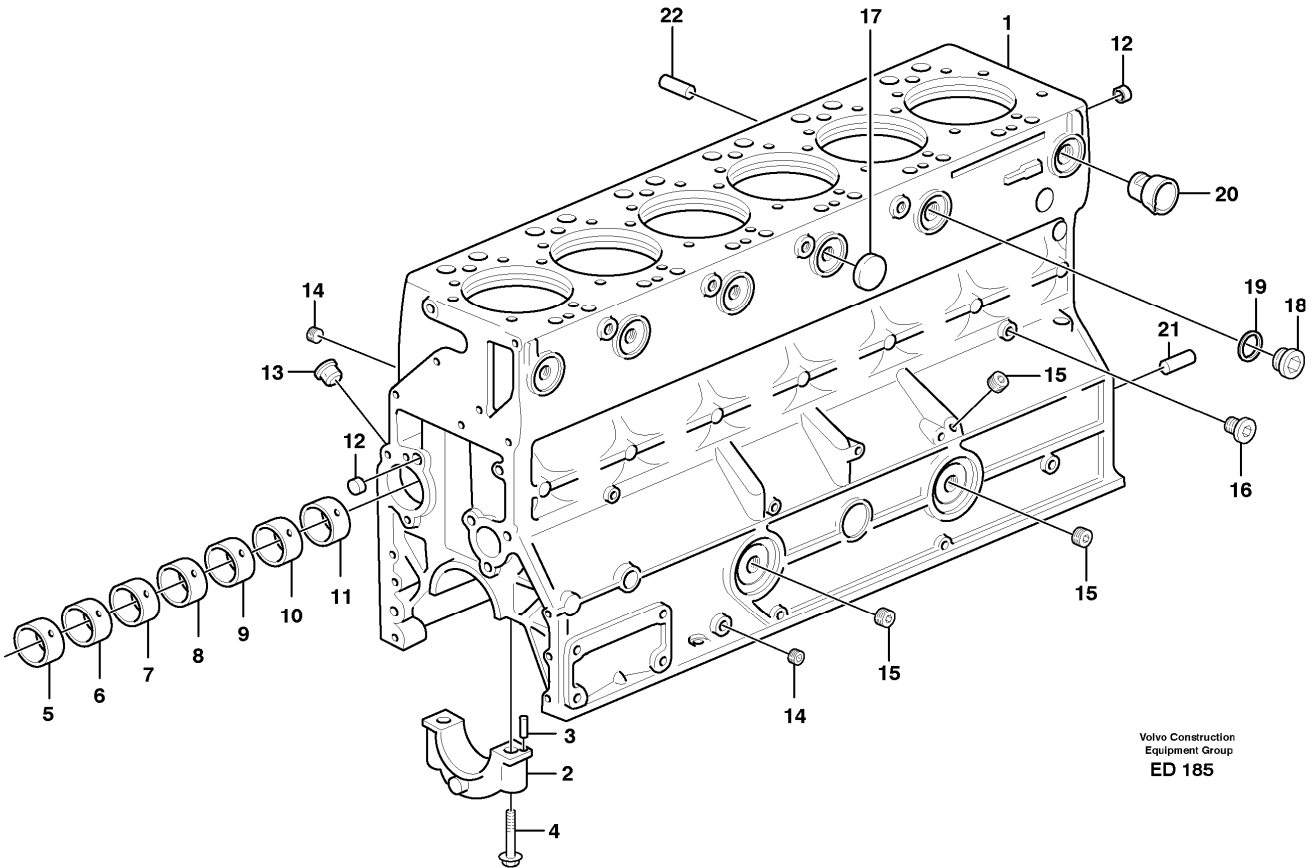
Date: 2014/2/19	Image id: ED190B	Catalogue: 97811	Model: L90D OR
Brand: Volvo	Serial: 65001-65037	Group/Section: 212/100	Title: Cylinder block



Pos	Part	Q1	Q2	Q3	Q4	Q5	PS	Kit	Description	Option(s)	Remark
1		1							Cylinder block		See ref 212/150
2	VOE13966146	1							Plug		
3	VOE13947629	1							Plane gasket		
4	VOE968060	1							Plug		
5	VOE479954	1							Nipple		
6	VOE13947893	1							Crane		
7	VOE862109	1							Nipple		
8	VOE11039575	1							Pressure sensor		
9	VOE479979	4							Plug		
10	VOE420120	1							Inspection lid		
11	VOE11162160	1							Inspection lid		
12	VOE11162161	1							Tube		
13	VOE468947	1							Sealing ring		
14	VOE468948	1							Nut		
15	VOE421121	2							Gasket		
16	VOE3978045	1							Splash plate		
17	VOE471855	4							Screw		

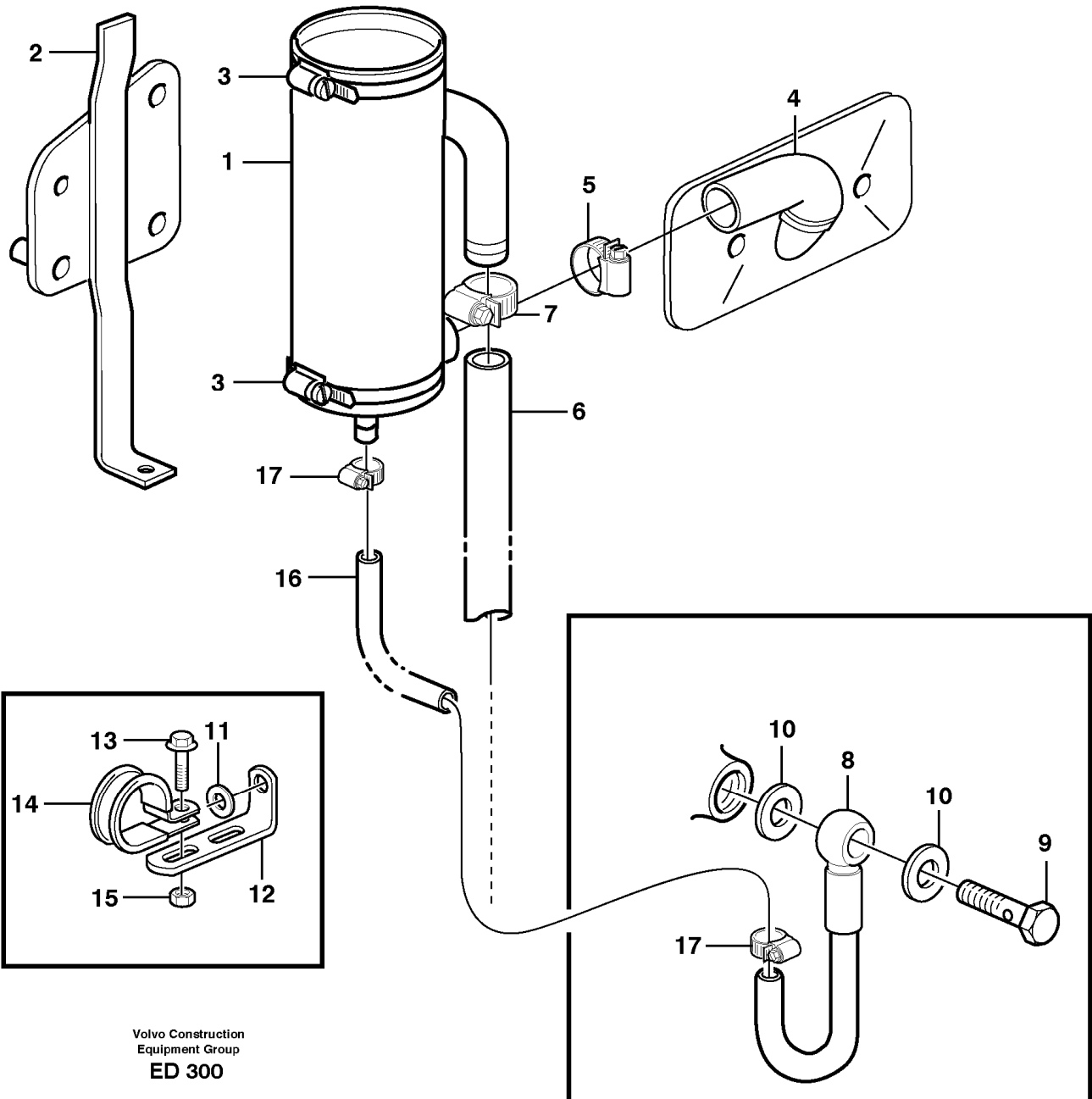
18	VOE471856	4							Sealing ring		
19	VOE1161277	REQ							Sealant		20 GRAM
	VOE11713514	REQ							Sealant		(VOE1161231)304 ML
20	VOE471854	1							Cover		
21	VOE13951973	1							Spring pin		
22	VOE471855	1							Screw		
23	VOE471856	1							Sealing ring		
24	VOE465994	2					NS		Lifting eye		
25	VOE13965191	4							Screw		
26	VOE11162177	1							Bracket		
27	VOE13965191	2							Screw		

Date: 2014/2/19	Image id: ED185	Catalogue: 97811	Model: L90D OR
Brand: Volvo	Serial: 65001-65037	Group/Section: 212/150	Title: Cylinder block



Pos	Part	Q1	Q2	Q3	Q4	Q5	PS	Kit	Description	Option(s)	Remark
	VOE420990	1							Cylinder block		
1	VOE420981	1					NS		•Cylinder block		
2		7					NS		•Cap		
3	VOE422426	1							•Pin		
4	VOE465899	14							•Screw		
5	VOE422076	1							•Bushing		
6	VOE422077	1							•Bushing		
7	VOE422078	1							•Bushing		
8	VOE11000014	1							•Bushing		
9	VOE422080	1							•Bushing		
10	VOE422081	1							•Bushing		
11	VOE422082	1							•Bushing		
12	VOE955082	6							•Cap plug		
13	VOE422369	2							•Plug		
14	VOE952075	2							•Plug		

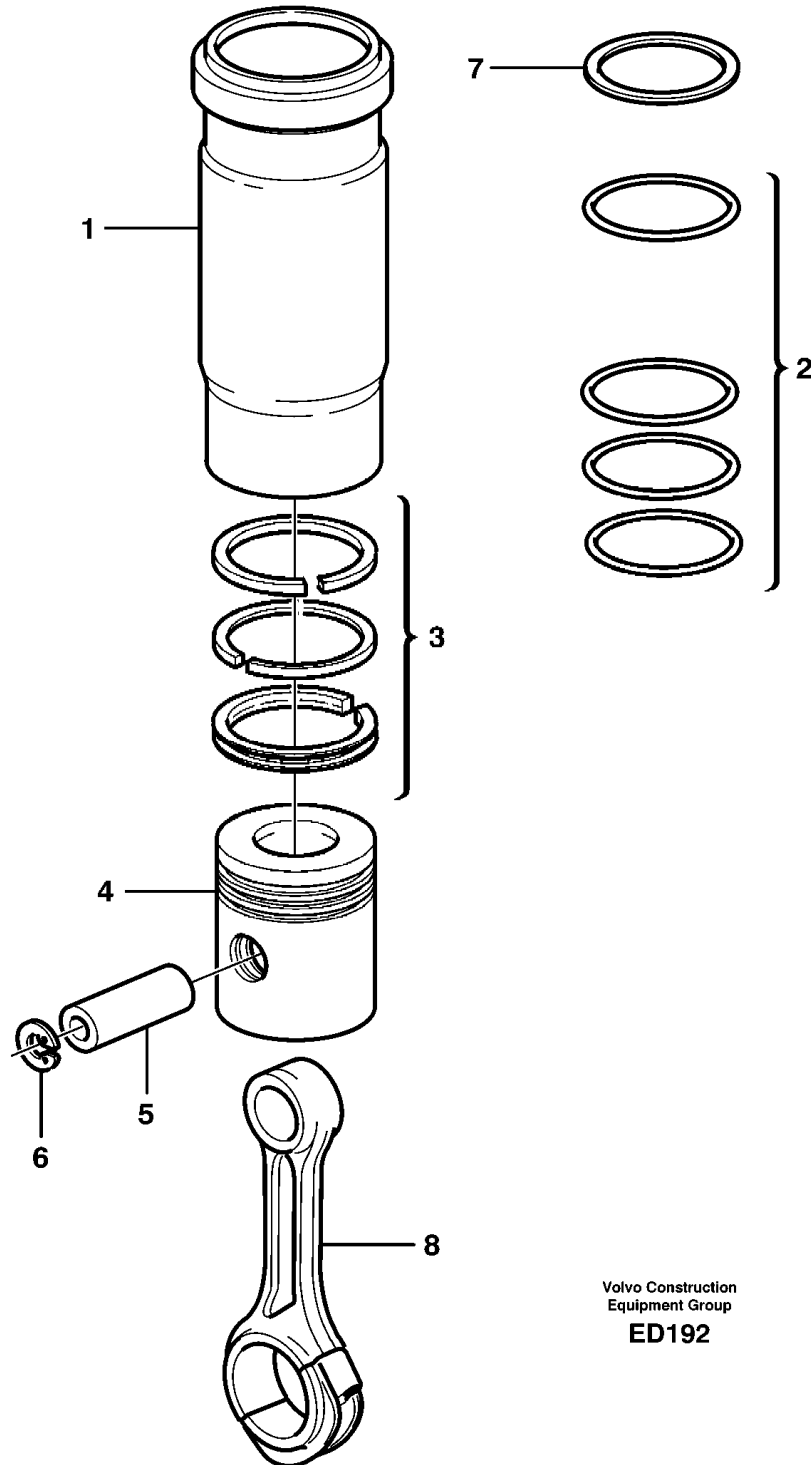
Date: 2014/2/19	Image id: ED300	Catalogue: 97811	Model: L90D OR
Brand: Volvo	Serial: 65001-65037	Group/Section: 212/200	Title: Crankcase ventilation



Pos	Part	Q1	Q2	Q3	Q4	Q5	PS	Kit	Description	Option(s)	Remark
1	VOE11127757	1							Oil trap		
2	VOE11127723	1							Anchorage		
3	VOE943483	2							Hose clamp		

4	VOE11127725	1							Return hose		
5	VOE943476	2							Hose clamp		
6	VOE927661	REQ							Rubber hose		
7	VOE943475	1							Hose clamp		
8	VOE11032097	1							Pipe		
9	VOE968178	1							Hollow screw		
10	VOE13947282	2							Gasket		
11	VOE843075	2							Spacer sleeve		
12	VOE13965556	1							Bracket		
13	VOE13945444	2							Screw		
	VOE13946544	1							Screw		
14	VOE13949747	2							Clamp		
15	VOE13945407	1							Nut		
16	VOE983342	REQ							Hose		(VOE977316)
17	VOE943470	2							Hose clamp		

Date: 2014/2/19	Image id: ED192	Catalogue: 97811	Model: L90D OR
Brand: Volvo	Serial: 65001-65037	Group/Section: 213/100	Title: Cylinder liner and piston

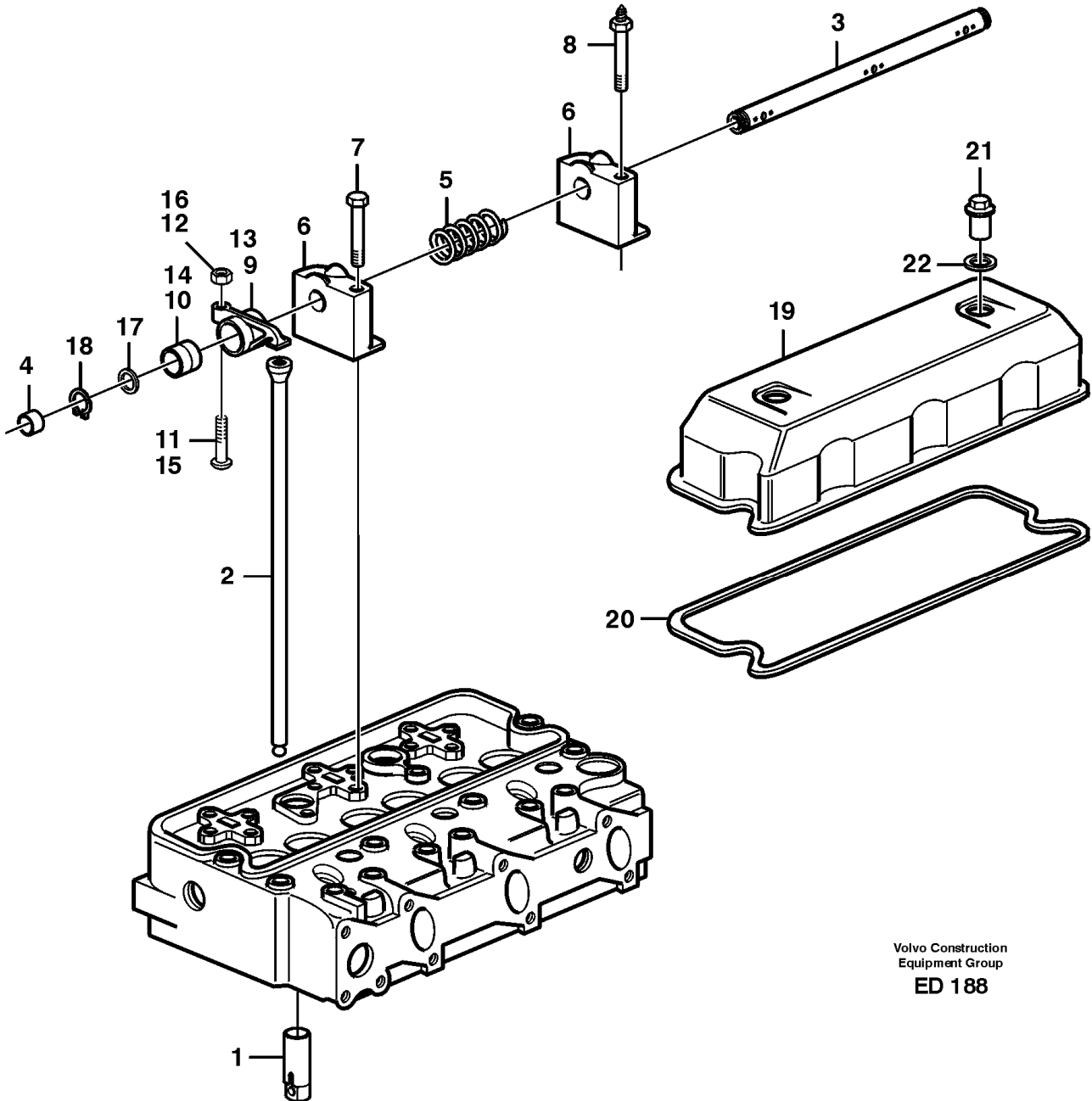


Volvo Construction
Equipment Group
ED192

Pos	Part	Q1	Q2	Q3	Q4	Q5	PS	Kit	Description	Option(s)	Remark
1	VOE276929	6							•Cylinder liner kit		

2	VOE271161	6							•Seg Ring Kit		
		6					NS		••Sealing strip		UPPER
		12					NS		••Sealing strip		UPPER, MID
		6					NS		••Sealing strip		LOW
3	VOE276310	6							•Piston Ring Kit		
4		6					NS		•Piston		
5	VOE3978023	6							•Piston Pin		
6	VOE914523	12							•Snap Ring		
7	VOE465394	REQ							Shim		THICK = 0,20 MM
	VOE465395	REQ							Shim		THICK = 0,30 MM
	VOE465396	REQ							Shim		THICK = 0,50 MM
8		6							Connecting rod		See ref 216/100

Date: 2014/2/19	Image id: ED188	Catalogue: 97811	Model: L90D OR
Brand: Volvo	Serial: 65001-65037	Group/Section: 214/100	Title: Valve mechanism

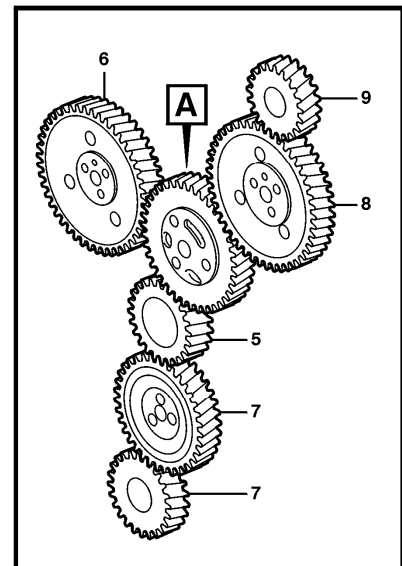
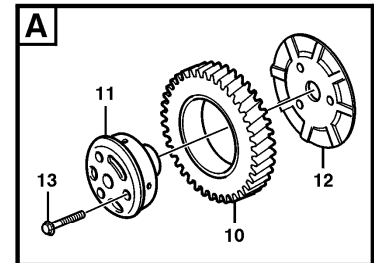
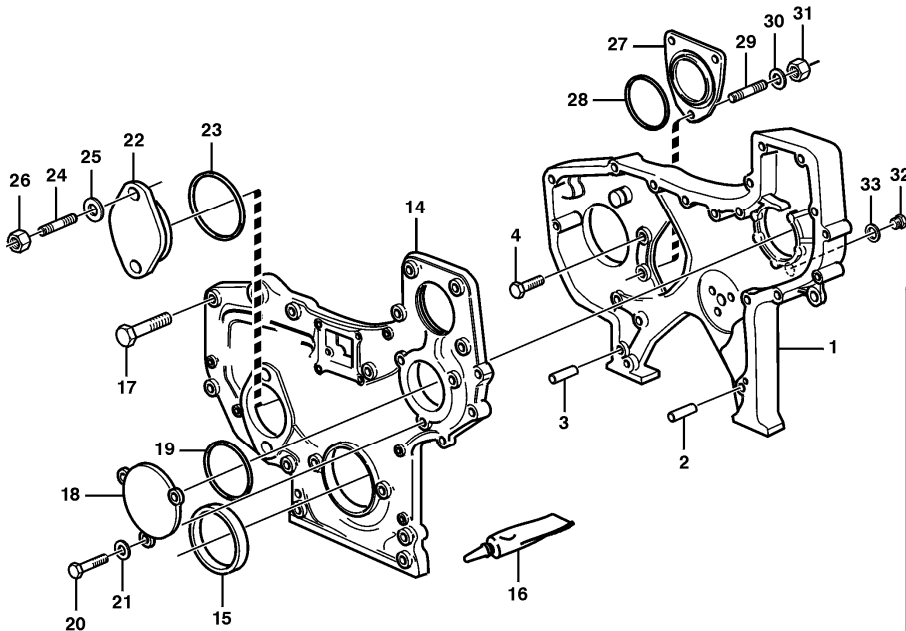


Volvo Construction
Equipment Group
ED 188

Pos	Part	Q1	Q2	Q3	Q4	Q5	PS	Kit	Description	Option(s)	Remark
1	VOE421067	12							Tappet		
2	VOE420021	12							Rod		
3	VOE465790	2							Shaft		
4	VOE13955083	4							•Cap plug		

5	VOE411139	4							Spring		
6	VOE1665204	6							Bearing Bracket		
7	VOE471513	8							Screw		
8	VOE471512	4							Screw		
9	VOE7420129	6							Rocker arm		INLET
	VOE420130	6					NS		•Rocker arm		
10	VOE420125	6							••Bushing		
11	VOE422993	6							•Bolt		
12	VOE940175	6							•Nut		
13	VOE420132	6							Rocker arm		EXHAUST
	VOE420133	6					NS		•Rocker arm		
14	VOE420125	6							••Bushing		
15	VOE422993	6							•Bolt		
16	VOE940175	6							•Nut		
17	VOE7400722	4							Shim		
18	VOE914456	4							Retaining ring		
19	VOE465951	2							Valve cover		
20	VOE465952	2							Gasket		
21	VOE465961	4							Cap nut		
22	VOE471856	4							Sealing ring		

Date: 2014/2/19	Image id: ED187	Catalogue: 97811	Model: L90D OR
Brand: Volvo	Serial: 65001-65037	Group/Section: 215/100	Title: Timing gear casing and gears

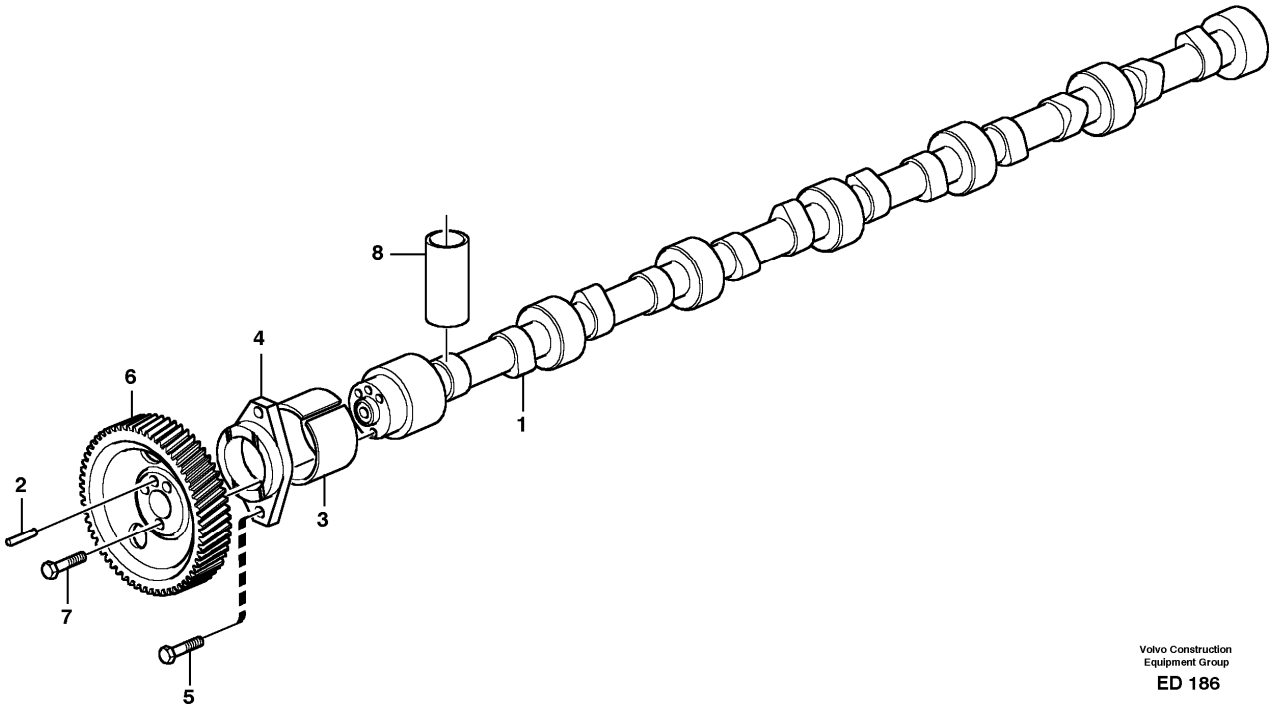


Volvo Construction
Equipment Group
ED 187

Pos	Part	Q1	Q2	Q3	Q4	Q5	PS	Kit	Description	Option(s)	Remark
1	VOE3978745	1							Tmg Gear Casing		
2	VOE13941510	1							Pin		
3	VOE13941511	1							Pin		
4	VOE471534	2							Screw		L = 28 MM
	VOE471535	2							Screw		L = 58 MM
5		1							Crankshaft gear		See ref 216/100
6		1							Camshaft gear		See ref 215/150
7		2							Oilpump gear		See ref 221/150
8		1							Gear,inject.pump		See ref 236/100
9		1							Water pump ger		See ref 262/200
10	VOE8192518	1							Idler Gear		
11	VOE11704619	1							Axle		
12	VOE478951	1							Thrust Washer		
13	VOE471554	3							Screw		
14	VOE8192590	1							Tmg Gear Cover		

15	VOE477118	1							•Sealing ring		
16	VOE1161277	REQ							Sealant		20 GRAM
	VOE11713514	REQ							Sealant		(VOE1161231)304 ML
17	VOE13947760	7							Flange screw		M8 x 40 MM
	VOE13948217	2							Flange screw		M8 x 55 MM
	VOE13965216	1							Screw		M8 x 55 MM
	VOE13965182	6							Flange screw		M8 x 80 MM
	VOE13965183	1							Flange screw		M8 x 90 MM
	VOE965225	1							Flange screw		M12 x 35 MM
18	VOE471559	1							Cap		
19	VOE925257	1							O-ring		
20	VOE13945444	3							Flange screw		
21	VOE13941907	3							Spring Washer		
22	VOE465735	1							Cap		
23	VOE925094	1							O-ring		
24	VOE479972	1							Stud		L = 45 MM
	VOE479973	1							Stud		L = 80 MM
25	VOE955895	2							Washer		
26	VOE13971095	2							Flange nut		
27	VOE420178	1							Cover		
28	VOE13975610	1							O-ring		
29	VOE967951	3							Stud		
30	VOE955899	3							Washer		
31	VOE13971097	3							Flange nut		
32	VOE13960632	1							Plug		
33	VOE13947624	1							Plane Gasket		

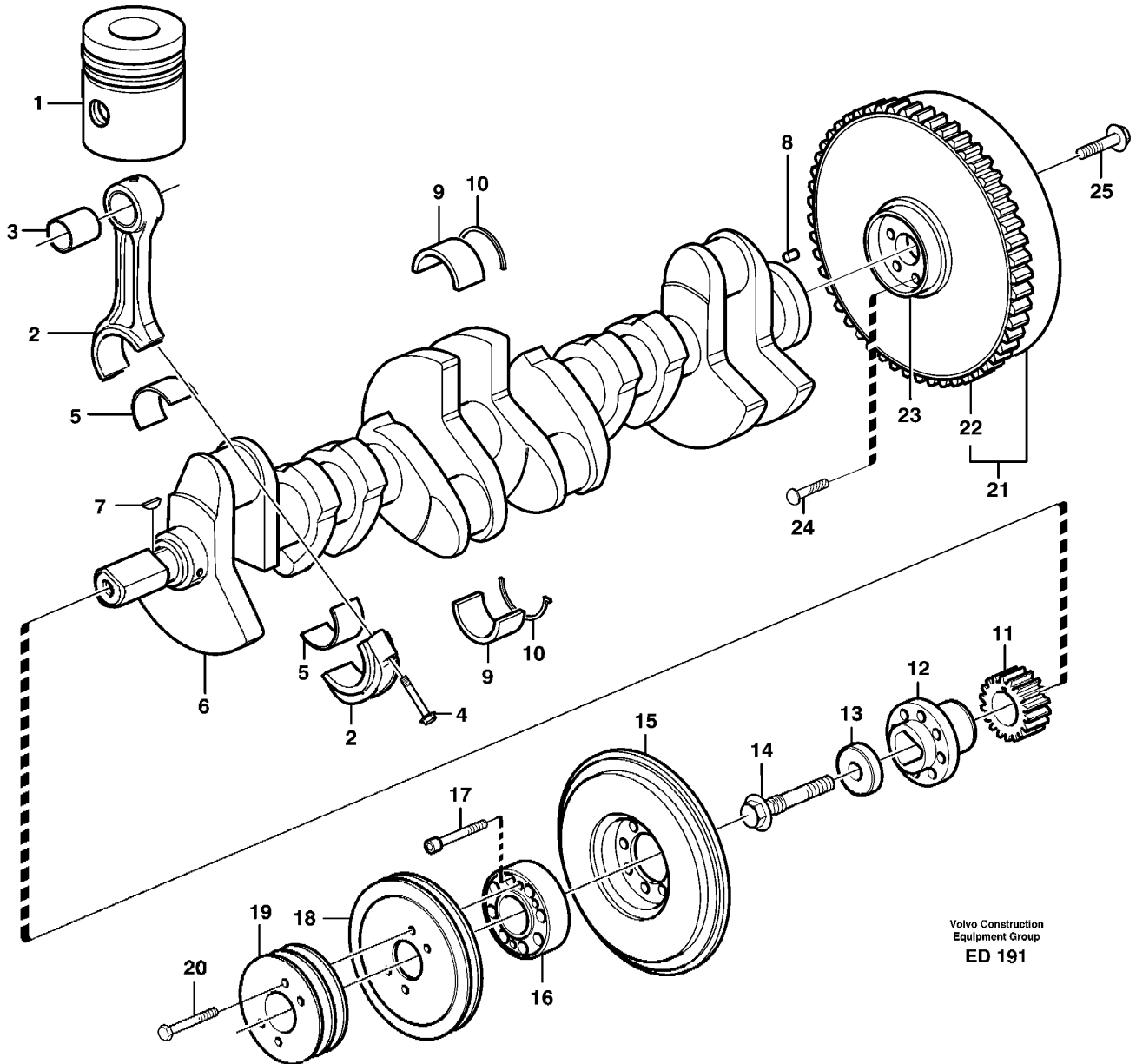
Date: 2014/2/19	Image id: ED186	Catalogue: 97811	Model: L90D OR
Brand: Volvo	Serial: 65001-65037	Group/Section: 215/150	Title: Camshaft



Volvo Construction
Equipment Group
ED 186

Pos	Part	Q1	Q2	Q3	Q4	Q5	PS	Kit	Description	Option(s)	Remark
1	VOE465787	1							Camshaft		
2	VOE950588	1							•Pin		
3		7							Bushing		See ref 212/150
4	VOE465789	1							Flange		
5	VOE471509	2							Screw		
6	VOE478297	1							Gear		
7	VOE471555	3							Screw		
8		12							Tappet		See ref 214/100

Date: 2014/2/19	Image id: ED191	Catalogue: 97811	Model: L90D OR
Brand: Volvo	Serial: 65001-65037	Group/Section: 216/100	Title: Crankshaft and related parts

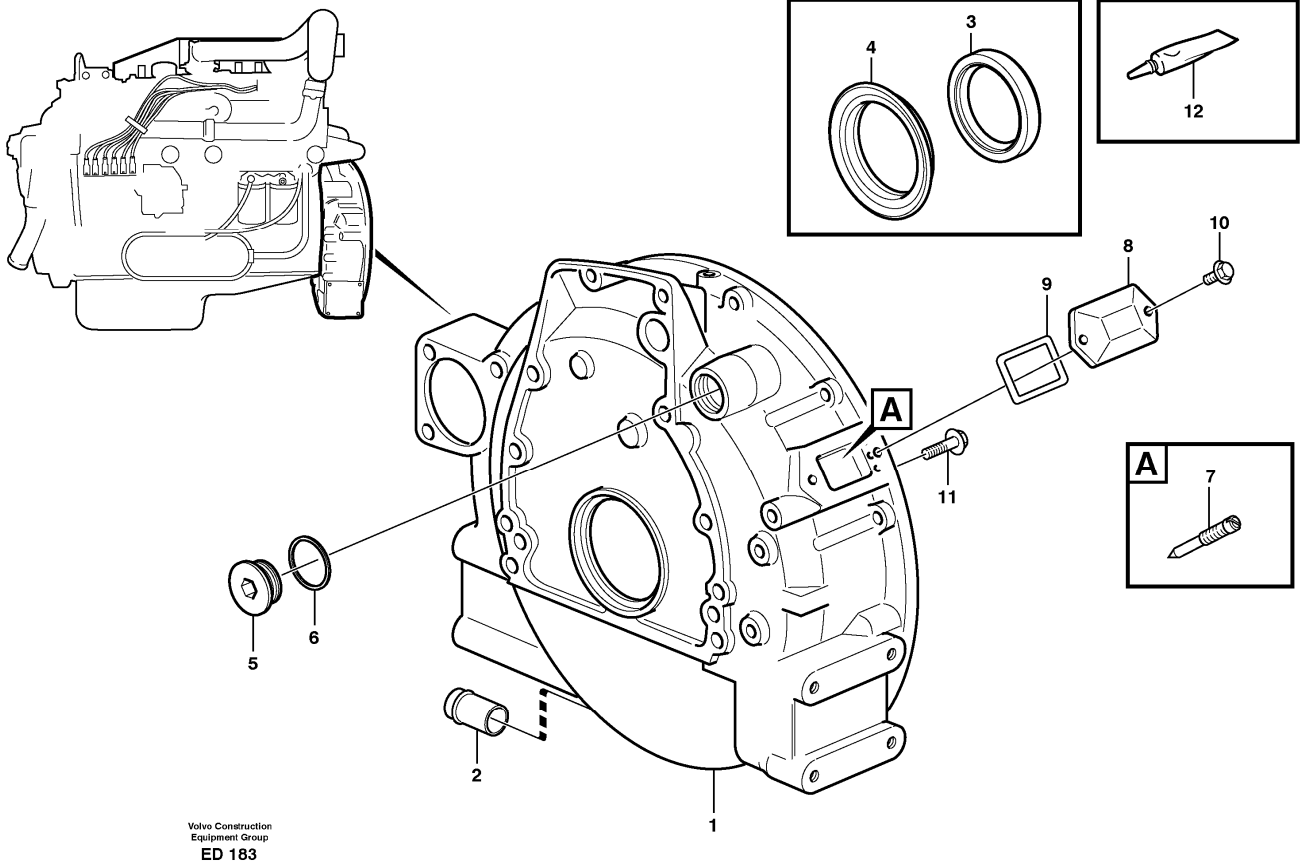


Volvo Construction
Equipment Group
ED 191

Pos	Part	Q1	Q2	Q3	Q4	Q5	PS	Kit	Description	Option(s)	Remark
1		6							Piston		See ref 213/100
	VOE8192120	6					SS		Connecting Rod		
2		6					NS		•Connecting rod		
3	VOE8192121	6							•Bushing		
4	VOE465815	12							•Screw		
5	VOE270139	6							Piston Bearing		STD
	VOE270140	6							Big End Brg Kit		0,25MM U SZ

	VOE270141	6							Big End Brg Kit		0,50MM U SZ
	VOE270142	6							Big End Brg Kit		0,75MM U SZ
	VOE8192122	1						SS	Crankshaft		
6		1						NS	•Crankshaft		
7	VOE422253	1							•Key		
8	VOE950677	1							•Pin		
9	VOE271230	7							Mn Bearing Kit		STD
	VOE271231	7							Mn Bearing Kit		0,254 MM U SZ
	VOE271232	7							Mn Bearing Kit		0,508 MM U SZ
	VOE271233	7							Mn Bearing Kit		0,762 MM U SZ
	VOE271234	7							Mn Bearing Kit		1,016 MM U SZ
10	VOE276751	1							Thr Washer Kit		STD SZ
	VOE276752	4							Thrust Washer		0,10 MM O SZ
	VOE276753	4							Thrust Washer		0,20 MM O SZ
11	VOE471528	1							Gear		
12	VOE465779	1							Hub		
13	VOE420124	1							Washer		
14	VOE1543035	1							Screw		
15	VOE421515	1							Vib Damper		
16	VOE4772218	1							Hub		
17	VOE4772247	8							Screw		
18	VOE4772217	1							Strap		
19	VOE4772236	1							Strap		
20	VOE13965187	4							Flange screw		
21	VOE11030938	1							Flywheel		
22	VOE420314	1							•Gear Ring		
23	VOE786589	1							Deflector		
24	VOE905654	4							Drive Screw		
25	VOE471541	9							Screw		

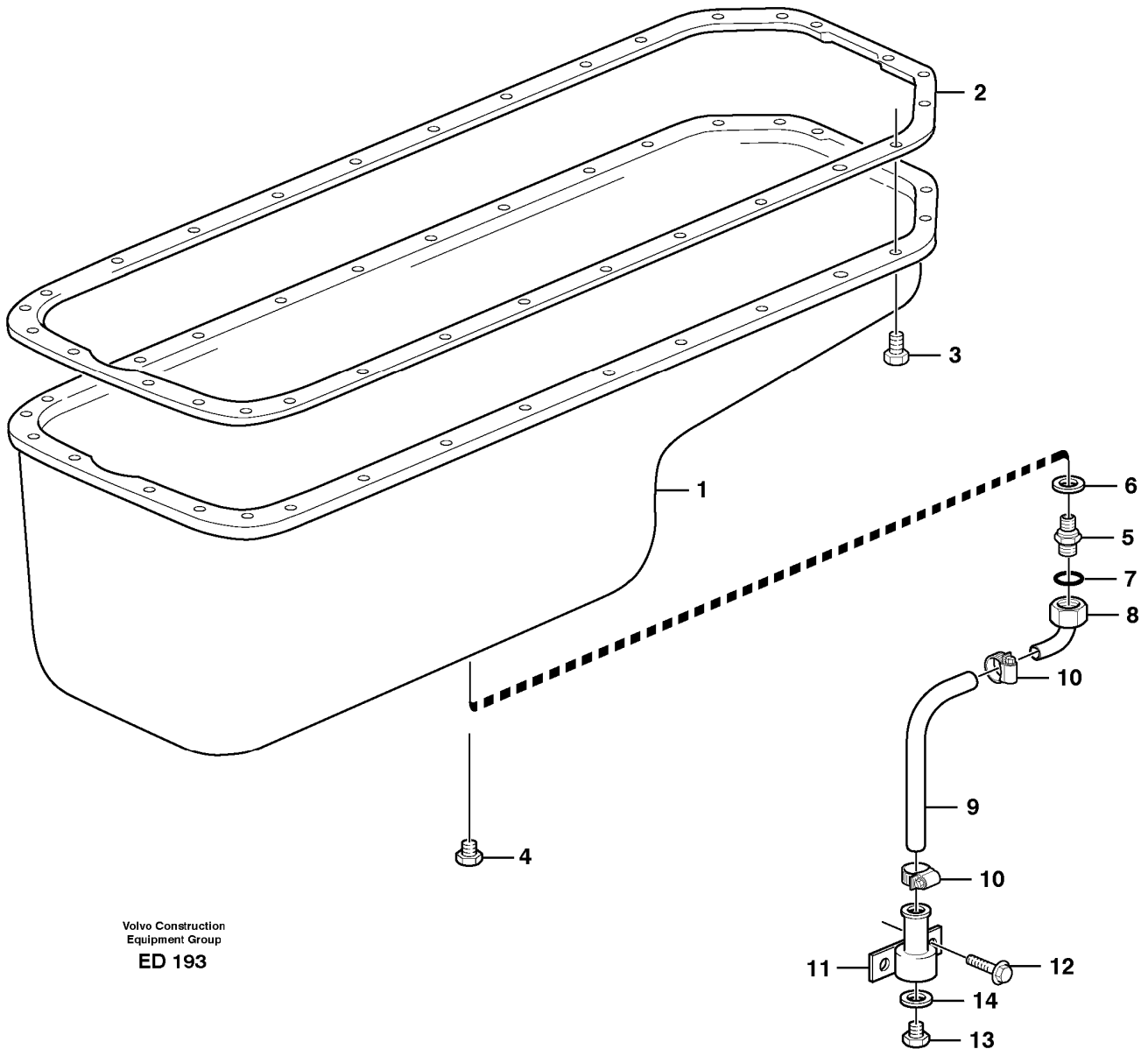
Date: 2014/2/19	Image id: ED183	Catalogue: 97811	Model: L90D OR
Brand: Volvo	Serial: 65001-65037	Group/Section: 216/150	Title: Flywheel housing



Pos	Part	Q1	Q2	Q3	Q4	Q5	PS	Kit	Description	Option(s)	Remark
1	VOE11030955	1							Flywheel Hsg		
2	VOE739393	1							•Pipe		
3	VOE477119	1							Crankshaft Seal		
4	VOE4772132	1							Oil Catcher		
5	VOE467367	1							Plug		
6	VOE1556907	1							Gasket		
7	VOE1543173	1							Setting Indicator		
8	VOE4772168	1							Cap		
9	VOE4804167	1							Gasket		
10	VOE13946544	2							Flange screw		
11	VOE13966361	6							Flange screw		L = 55 MM
	VOE13966363	2							Flange screw		L = 65 MM
	VOE968753	2							Flange screw		L = 75 MM
12	VOE1161277	REQ							Sealant		20 GRAM

	VOE11713514	REQ						Sealant		(VOE1161231)304ML
--	-------------	-----	--	--	--	--	--	---------	--	-------------------

Date: 2014/2/19	Image id: ED193	Catalogue: 97811	Model: L90D OR
Brand: Volvo	Serial: 65001-65037	Group/Section: 217/100	Title: Oil sump



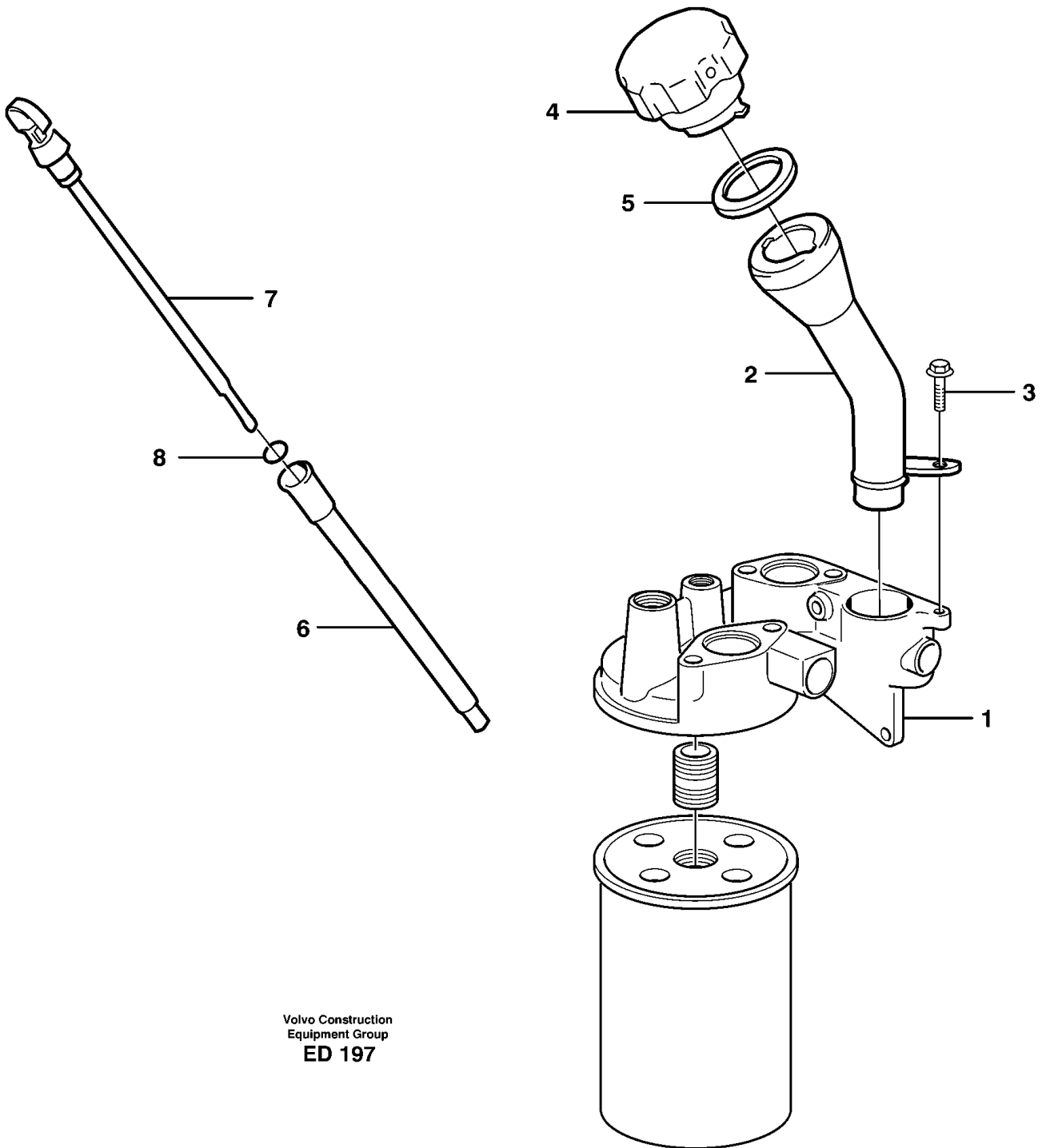
Pos	Part	Q1	Q2	Q3	Q4	Q5	PS	Kit	Description	Option(s)	Remark
1	VOE11162237	1							Oil pan		(VOE11127747)
2	VOE11030778	1							Gasket		
3	VOE946440	33							Flange screw		L = 16 MM
	VOE13946173	1							Screw		L = 20 MM
4	VOE13960635	1							Plug		
5	VOE11130084	1							Nipple		

6	VOE949329	1							Gasket		
7	VOE981289	1							O-ring		
8	VOE11133290	1							Oil draining pipe		
9	VOE13961193	REQ							Hydraulic hose		L = 540 MM
10	VOE943475	2							Hose clamp		
11	VOE11133314	1							Nipple		
12	VOE946440	2							Flange screw		
13	VOE13960634	1							Plug		
14	VOE948885	1							Plane gasket		

VOLVO

Construction Equipment

Date: 2014/2/19	Image id: ED197	Catalogue: 97811	Model: L90D OR
Brand: Volvo	Serial: 65001-65037	Group/Section: 217/150	Title: Oil filler and dipstick

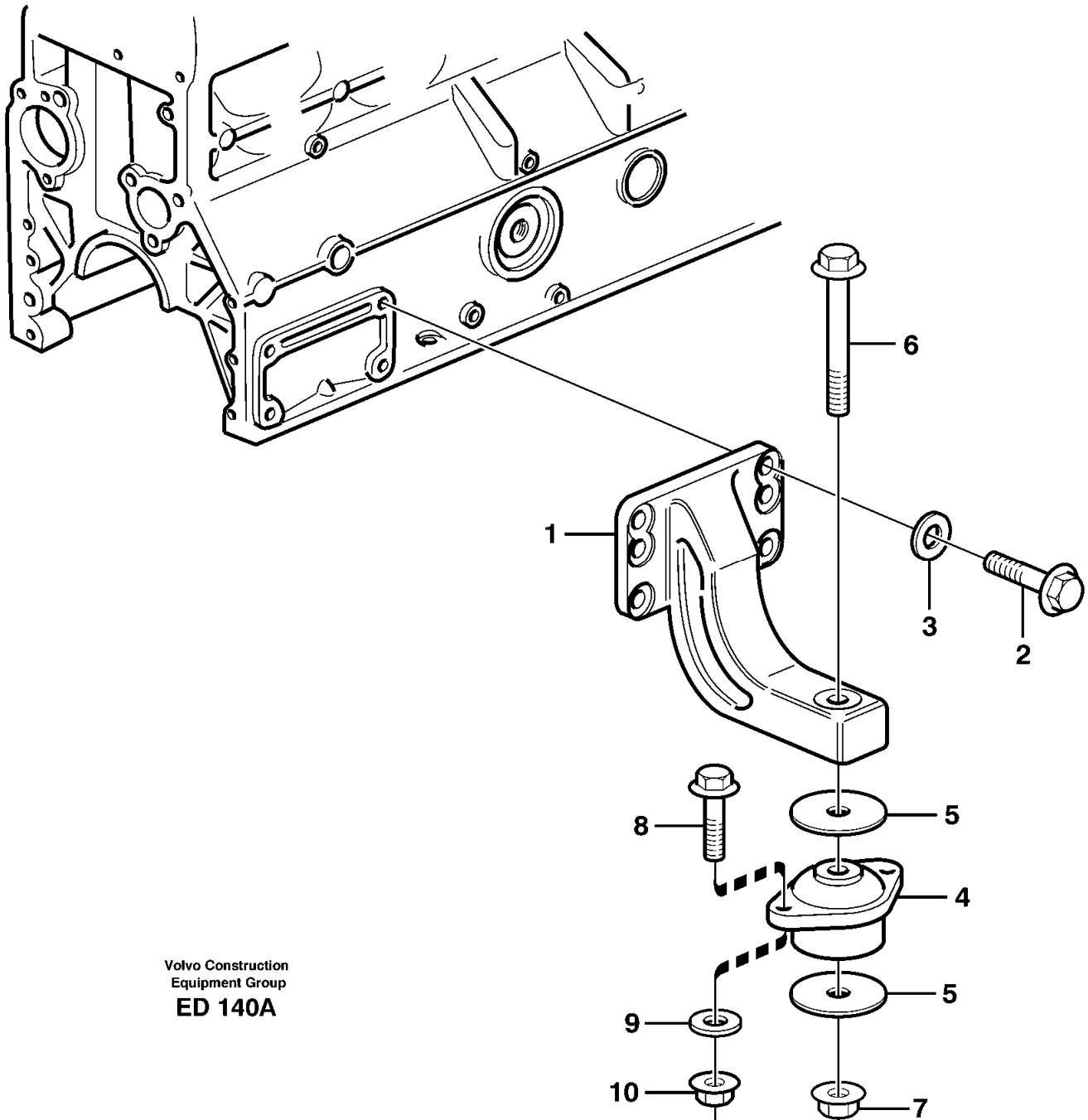


Volvo Construction
Equipment Group
ED 197

Pos	Part	Q1	Q2	Q3	Q4	Q5	PS	Kit	Description	Option(s)	Remark
1		1							Housing		See ref 222/100
2	VOE4772233	1							Oil filler pipe		

3	VOE13946173	1						Screw		
4	VOE3547599	1					SS	Oil filler cap		
5	VOE1275379	1						•Gasket		(VOE940096)
6	VOE11030765	1						Pipe		
7	VOE4772191	1						Dipstick		
8	VOE925054	1						•O-ring		

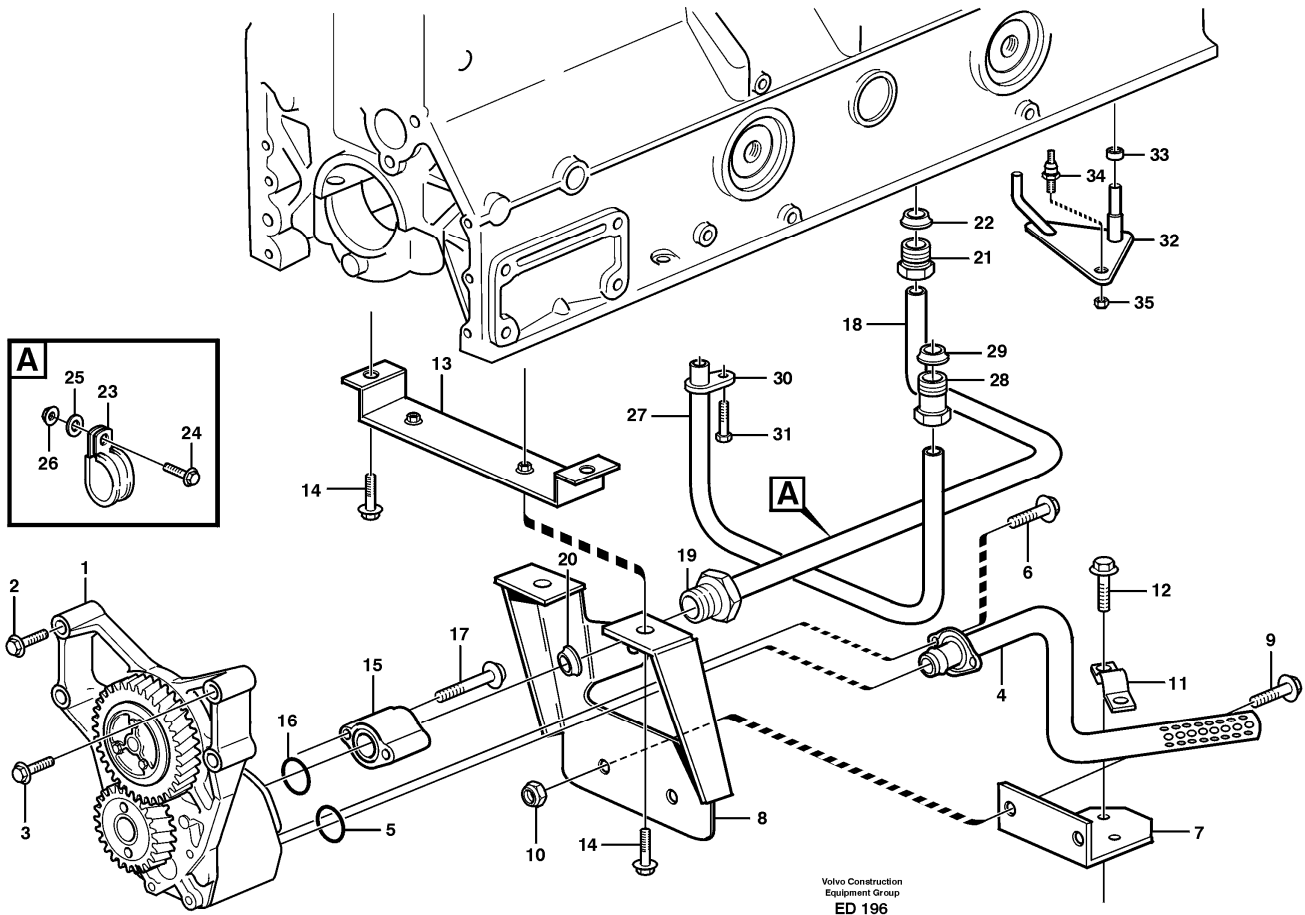
Date: 2014/2/19	Image id: ED140A	Catalogue: 97811	Model: L90D OR
Brand: Volvo	Serial: 65001-65037	Group/Section: 218/100	Title: Engine mounting



Pos	Part	Q1	Q2	Q3	Q4	Q5	PS	Kit	Description	Option(s)	Remark
1	VOE4856778	2							Engine Mounting		
	VOE11015919	1							Engine Mounting	VOE80273	
2	VOE13965227	8							Screw		
3	VOE13955897	8							Washer		

4	VOE342812	2							Rubber cushion		SER NO - 17388 SER NO - 64191 USA SER NO - 70552 BRAZIL
	VOE11174162	2							Rubber cushion		SER NO 17389 - SER NO 64192 - USA SER NO 70553 - BRAZIL
5	VOE11015657	4							Washer		SER NO - 17388 SER NO - 64191 USA SER NO - 70552 BRAZIL
	VOE11147828	4							Washer		SER NO 17389 SER NO 64192 - USA SER NO 70553 - BRAZIL
6	VOE968595	2							Flange screw		
7	VOE13967934	2							Flange Lock Nut		
8	VOE13965185	4							Flange screw		
9	VOE13960143	4							Washer		SER NO - 17388 SER NO - 64191 USA SER NO - 70552 BRAZIL
10	VOE13971098	4							Flange nut		

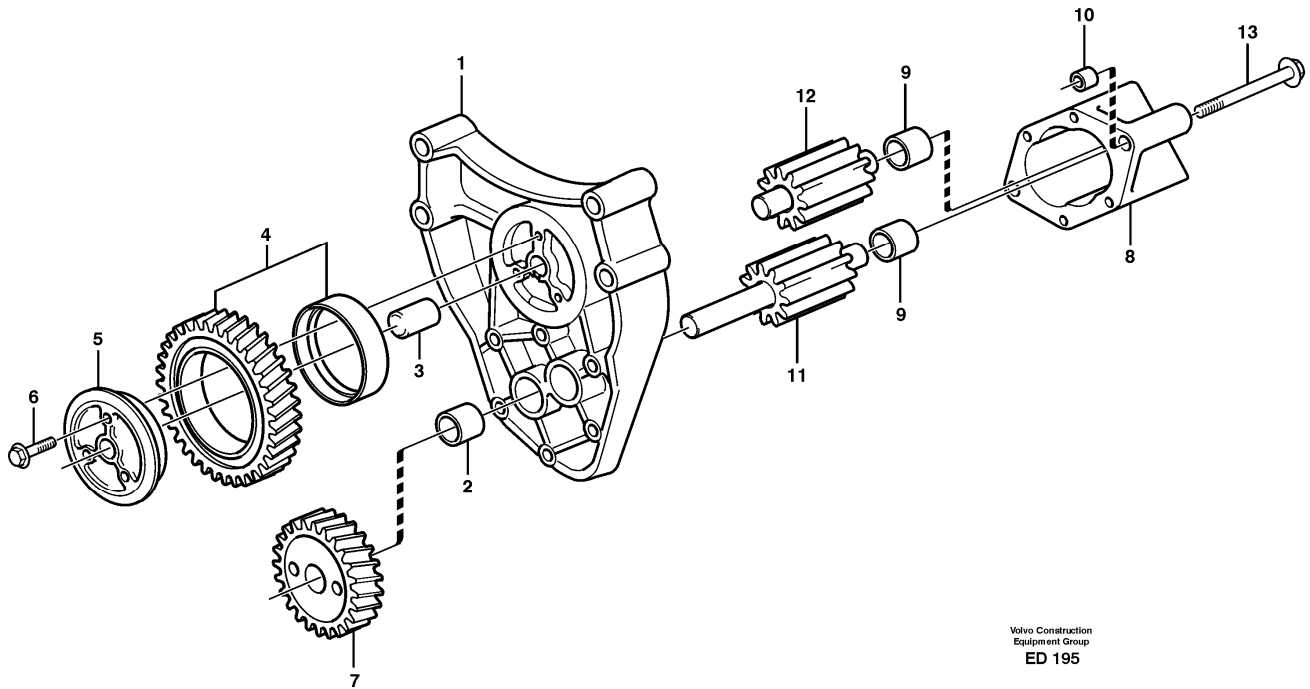
Date: 2014/2/19	Image id: ED196	Catalogue: 97811	Model: L90D OR
Brand: Volvo	Serial: 65001-65037	Group/Section: 221/100	Title: Lubricating oil system



Pos	Part	Q1	Q2	Q3	Q4	Q5	PS	Kit	Description	Option(s)	Remark
1		1							Oil pump		See ref 221/150
2	VOE471513	4							Screw		M10 x 70 MM
3	VOE471734	2							Screw		M8 x 70 MM
4	VOE11030734	1							Suction pipe		
5	VOE470383	1							Sealing ring		
6	VOE13965183	2							Flange screw		
7	VOE11030720	1							Bracket		
8	VOE11032801	1							Baffle plate		
9	VOE946440	2							Flange screw		
10	VOE946036	2							Lock nut		
11	VOE11030722	1							Clamp		
12	VOE13946544	2							Screw		
13	VOE11030718	1							Bracket		
14	VOE946440	4							Flange screw		

15	VOE465846	1							Sleeve		
16	VOE470383	1							Sealing ring		
17	VOE968553	2							Flange screw		
18	VOE420994	1							Oil feed pipe		
		1					NS		•Tube assembly		
19	VOE471595	1							•Connector		
20	VOE980786	1							•Fitting		
21	VOE471588	1							Connector		
22	VOE980786	1							Fitting		
23	VOE1545433	1							Clamp		
24	VOE946440	1							Flange screw		
25	VOE13955894	1							Washer		
26	VOE13945408	1							Nut		
27	VOE420996	1							Oil feed pipe		
		1					NS		•Tube assembly		
28	VOE471595	1							•Connector		
29	VOE980786	1							•Fitting		
30	VOE471746	1							•Clamp		
31	VOE946440	1							Flange screw		
32	VOE477437	6							Nozzle		
33	VOE466874	6							Sealing ring		
34	VOE471596	6							Stud		
35	VOE13948570	6							Lock nut		

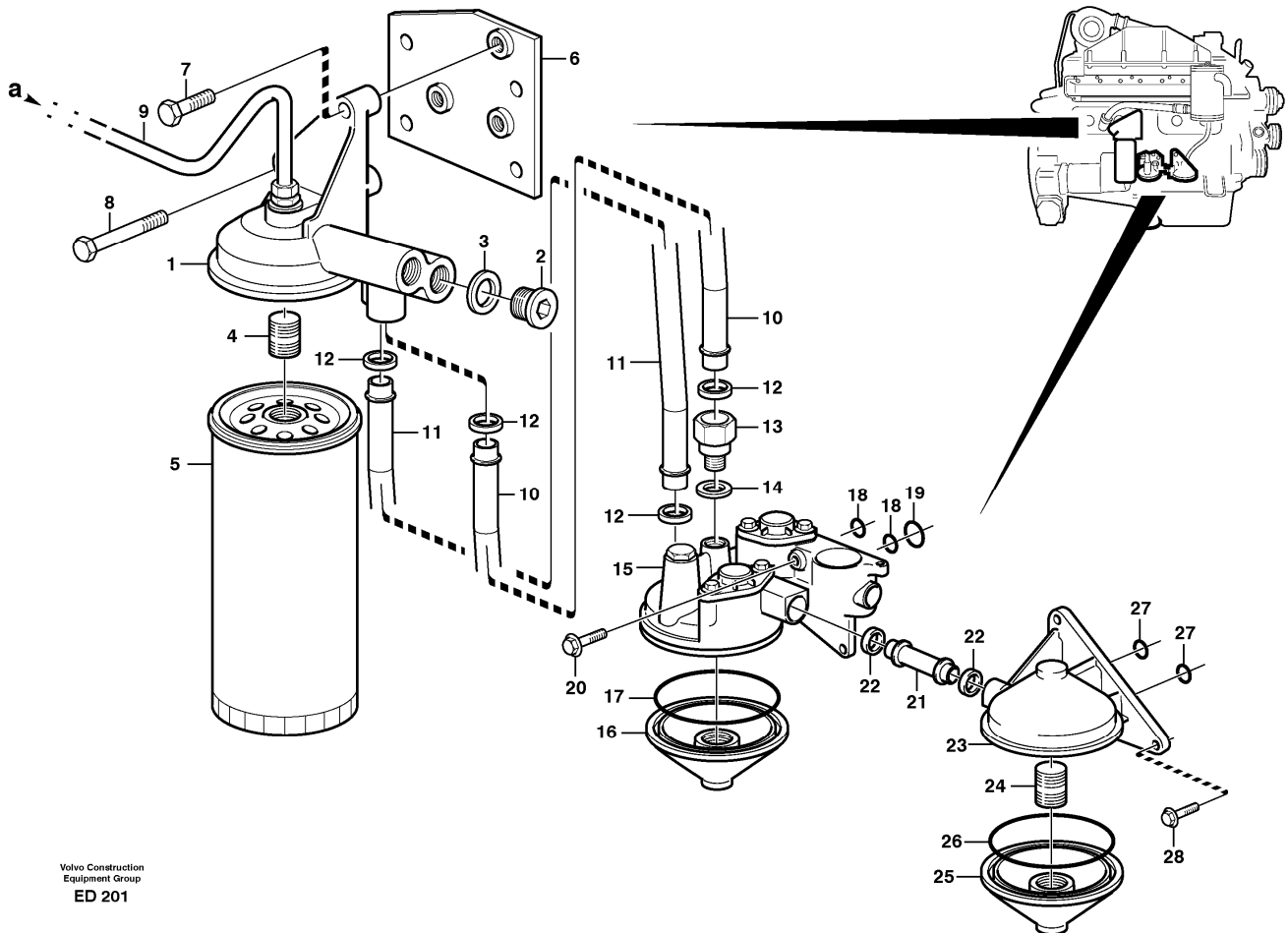
Date: 2014/2/19	Image id: ED195	Catalogue: 97811	Model: L90D OR
Brand: Volvo	Serial: 65001-65037	Group/Section: 221/150	Title: Oil pump



Volvo Construction
Equipment Group
ED 195

Pos	Part	Q1	Q2	Q3	Q4	Q5	PS	Kit	Description	Option(s)	Remark
	VOE477547	1							Oil pump		
1	VOE471571	1							•Bracket		
2	VOE470347	2						K	••Bushing		
3	VOE191171	1							•Pin		
4	VOE471942	1							•Drive Gear		
	VOE471943	1					NS		••Idler gear		
	VOE471585	1					NS		••Bearing ring		
5	VOE420048	1							•Bearing sleeve		
6	VOE471586	1							•Screw		
7	VOE471941	1							•Drive Gear		
8	VOE471727	1					NS		•Oil pump housing		
9	VOE470347	2						K	••Bushing		
10	VOE401146	2							••Guide sleeve		
11	VOE477548	1					NS	K	•Drive shaft		
12	VOE477549	1					NS	K	•Idler shaft		
13	VOE13965218	2							•Screw		
	VOE276152	1							Repair kit		

Date: 2014/2/19	Image id: ED201	Catalogue: 97811	Model: L90D OR
Brand: Volvo	Serial: 65001-65037	Group/Section: 222/100	Title: Oil filter

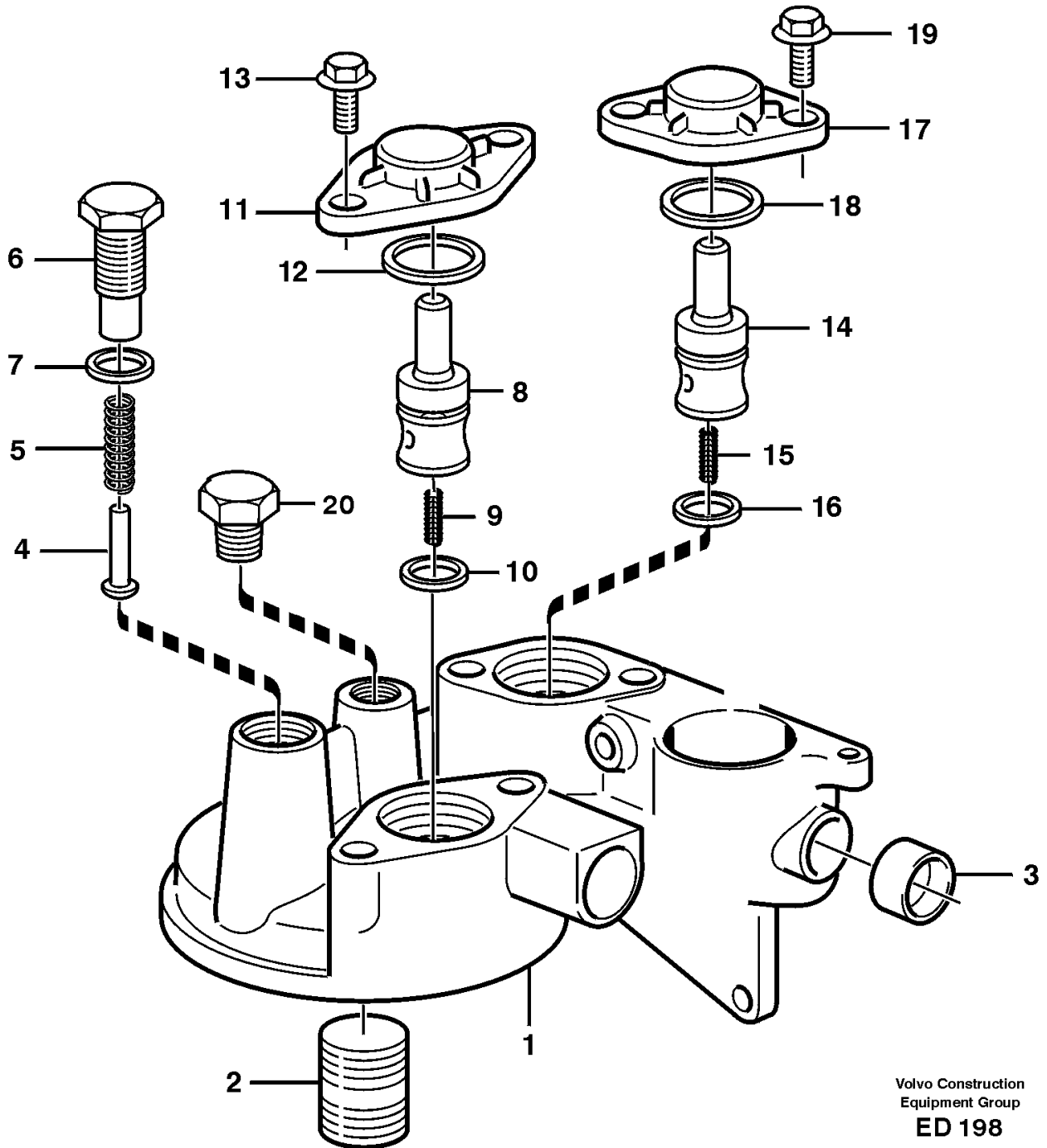


Volvo Construction
Equipment Group
ED 201

Pos	Part	Q1	Q2	Q3	Q4	Q5	PS	Kit	Description	Option(s)	Remark
1	VOE11030594	1							Housing		
2	VOE13966145	2							Plug		
3	VOE13947627	2							Plane gasket		
4	VOE466623	1							Nipple		
5	VOE466634	1							Oil filter		
	VOE478736	1							Oil Filter		Long life filter
6	VOE11030605	1							Bracket		
7	VOE940132	2							Hexagon screw		L = 35 MM
8	VOE955306	1							Hexagon screw		L = 80 MM
9		1							Oil feed pipe		See ref 255/100
10	VOE11030617	1							Pipe		
11	VOE11030616	1							Pipe		
12	VOE471956	4							Sealing ring		

13	VOE11030597	1							Nipple		
14	VOE13947625	1							Plane gasket		
15		1							Housing		See ref 222/150
16	VOE3812509	1							Casing		(VOE848431)
17	VOE13948981	1							O-ring		
18	VOE13949656	2							O-ring		
19	VOE13949722	1							O-ring		
20	VOE946329	2							Flange screw		L = 25 MM
	VOE13965222	1							Screw		L = 65 MM
21	VOE465857	1							Tube		
22	VOE471956	2							Sealing ring		
23	VOE471601	1							Bracket		
24	VOE469904	1							Nipple		
25	VOE3812509	1							Casing		(VOE848431)
26	VOE13948981	1							O-ring		
27	VOE13949656	2							O-ring		
28	VOE946329	3							Flange screw		

Date: 2014/2/19	Image id: ED198	Catalogue: 97811	Model: L90D OR
Brand: Volvo	Serial: 65001-65037	Group/Section: 222/150	Title: Oil filter

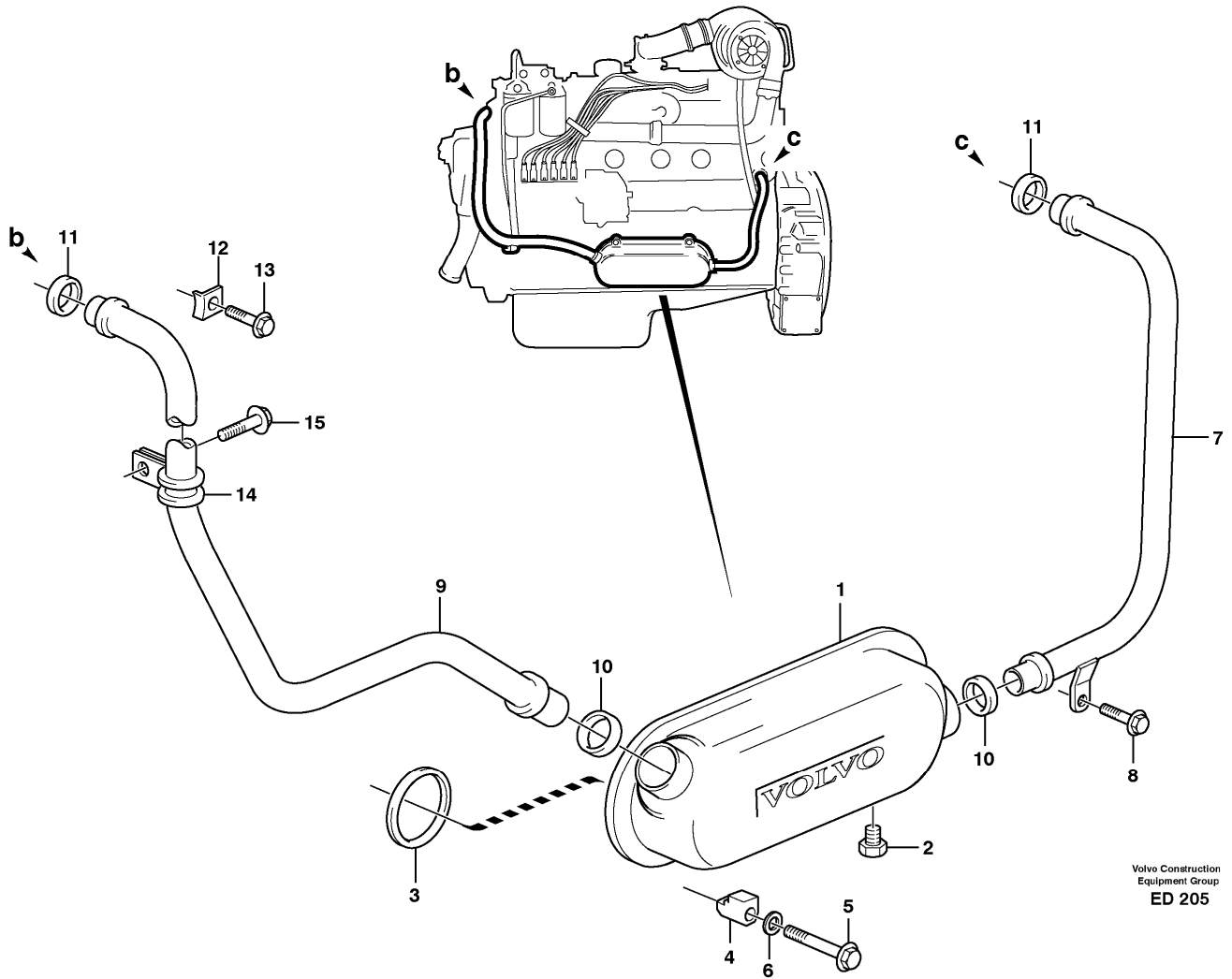


Volvo Construction
Equipment Group
ED 198

Pos	Part	Q1	Q2	Q3	Q4	Q5	PS	Kit	Description	Option(s)	Remark
	VOE11030601	1							Housing		

1	VOE11030600	1					NS		•Housing		
2	VOE11030599	1							••Nipple		
3	VOE13948811	1							••Cap plug		
4	VOE471085	1							•Valve cone		
5	VOE466653	1							•Compression spring		
6	VOE471598	1							•Plug		
7	VOE13947627	1							•Plane gasket		
8	VOE471646	1							•Piston cooling valve		
9	VOE471775	1							••Compression spring		
10	VOE469846	1							•Sealing ring		
11	VOE471648	1							•Cover		
12	VOE949659	1							•O-ring		
13	VOE13946544	2							•Screw		
14	VOE471706	1							•Reduction valve		
15	VOE469332	1							••Compression spring		
16	VOE469846	1							•Sealing ring		
17	VOE471648	1							•Cover		
18	VOE949659	1							•O-ring		
19	VOE13946544	2							•Screw		
20	VOE479979	1							•Plug		

Date: 2014/2/19	Image id: ED205	Catalogue: 97811	Model: L90D OR
Brand: Volvo	Serial: 65001-65037	Group/Section: 223/100	Title: Oil cooler with hoses



Volvo Construction
Equipment Group
ED 205

Pos	Part	Q1	Q2	Q3	Q4	Q5	PS	Kit	Description	Option(s)	Remark
1	VOE1661254	1							Oil Cooler		
2	VOE180759	1							•Plugg		
3	VOE471467	2							Sealing ring		
4	VOE471804	4							Retainer		
5	VOE13965186	2							Flange screw		L = 50 MM
	VOE965221	2							Flange screw		(VOE13965221)L = 55 MM
6	VOE941908	4							Spring Washer		
7	VOE848467	1							Coolant Pipe		
8	VOE946440	2							Flange screw		
9	VOE11127746	1							Water pipe		



Suggest:

For more complete manuals. Please go to the home page.

<https://www.ebooklibonline.com>

If the above button click is invalid. Please download this document first, and then click the above link to download the complete manual.

Thank you so much for reading

<https://www.ebooklibonline.com>

Hello dear friend!

Thank you very much for reading.

Enter the link into your browser.

The full manual is available for immediate download.

<https://www.ebooklibonline.com>