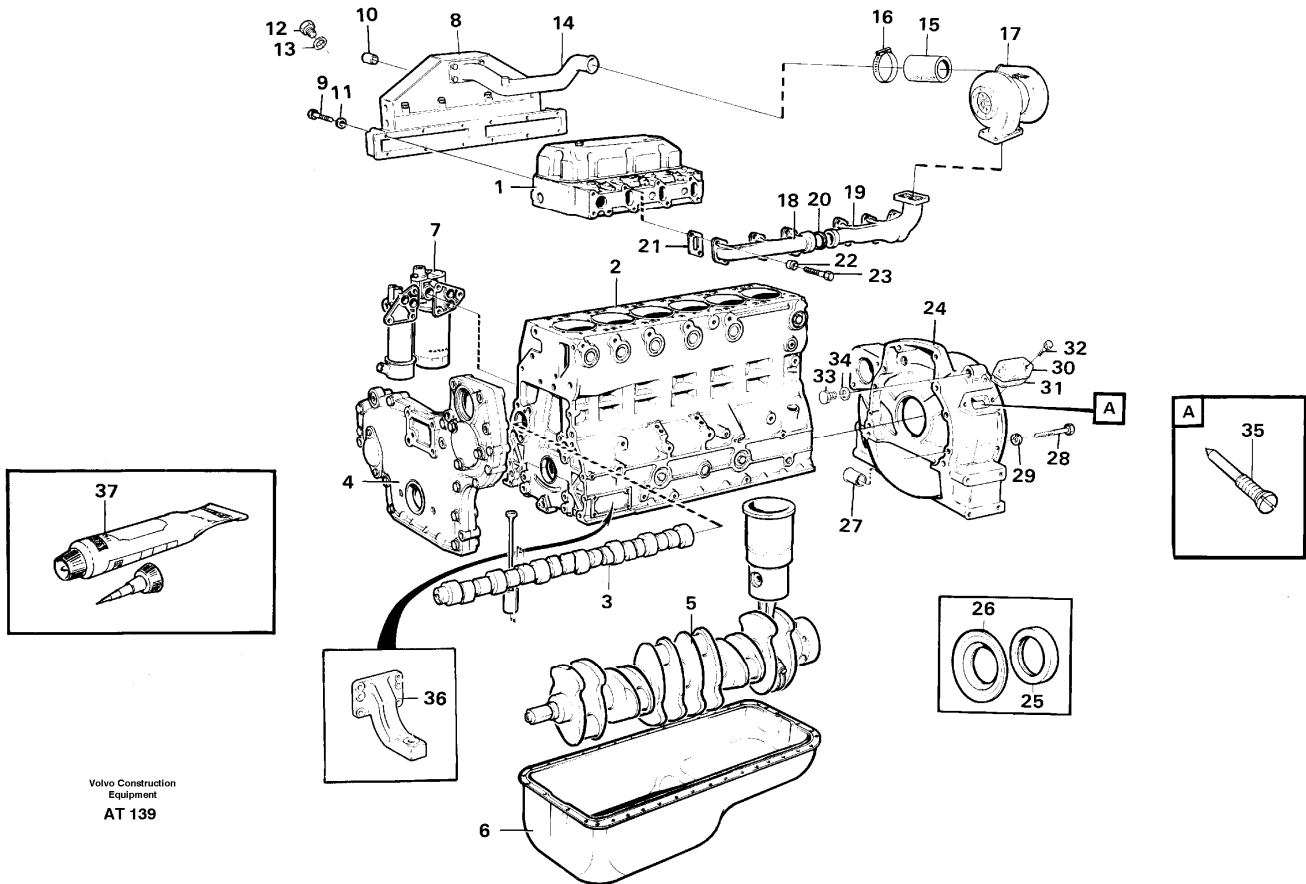


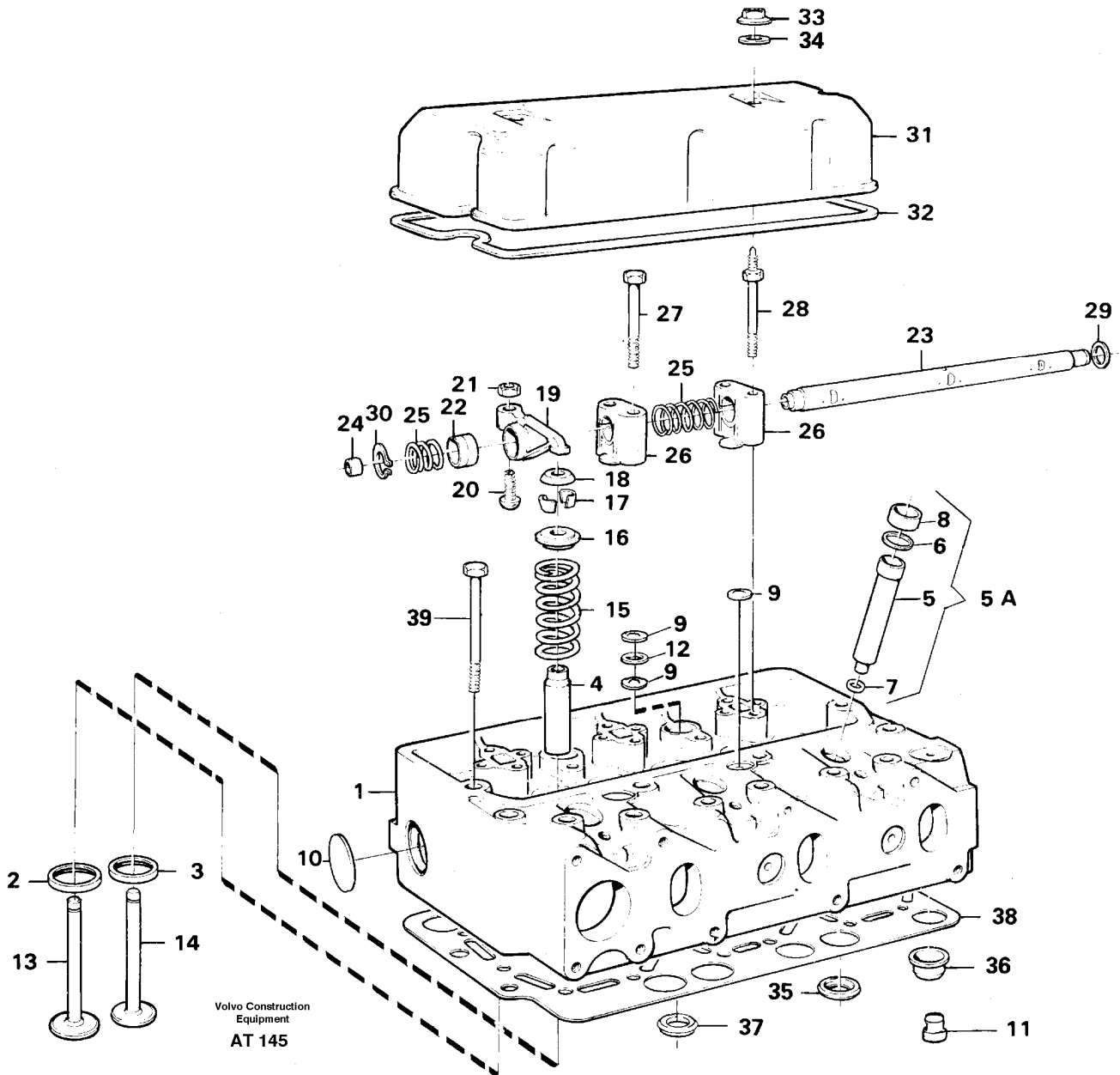
Date: 2014/2/13	Image id: AT139	Catalogue: 97785	Model: L90C OR
Brand: Volvo	Serial: 36001-36023, 70060-80000	Group/Section: 210/150	Title: Engine, assembly



Pos	Part	Q1	Q2	Q3	Q4	Q5	PS	Kit	Description	Option(s)	Remark
	VOE15003910	1							Engine		(VOE8188100)
1									Cylinder head		See ref 211/100
2									Cylinder block		See ref 212/100
3									Camshaft		See ref 215/100
4									Timing gear casing		See ref 215/150
5									Crank mechanism		See ref 216/100
6									Oil sump		See ref 217/100
7									Oil filter		See ref 222/100
8									Inlet manifold		See ref 251/100
									Starter element		See ref 251/100
9	VOE13965183	8							Flange screw		M8 x 90
	VOE13955308	4							Screw		M8x110
10	VOE843075	4							Spacer sleeve		L=15 MM
11	VOE13941907	12							Washer		

12	VOE960628	1							Plug		
13	VOE13947281	1							Gasket		
14									Connecting pipe		See ref 258/100
15	VOE847385	1							Hose		
16	VOE943479	2							Hose clamp		
17									Turbocharger		See ref 255/100
18	VOE3978061	1							Exhaust pipe		(VOE465878)
19	VOE3978035	1							Exhaust pipe		(VOE465879)
20	VOE1545109	4							Sealing ring		
21	VOE420538	6							Gasket		
22	VOE420500	12							Sleeve		
23	VOE13965186	12							Screw		(VOE965186)
24	VOE11030955	1							Flywheel housing		(VOE4772142)
25	VOE477119	1							Crankshaft seal		(VOE821755)
26	VOE4772132	1							Oil Catcher		
	VOE11030955	1							Flywheel housing		
27	VOE739393	1							•Tube		
28	VOE13966361	6							Flange screw		(MI966361)M14 x 55
	VOE968753	2							Flange screw		M14 x 160
	VOE13966363	2							Flange screw		M14 x 65
29	VOE955899	10							Washer		
30	VOE4772168	1							Cover		
31	VOE4804167	1							Gasket		
32	VOE13946544	2							Screw		M6 x 16
33	VOE467367	1							Plug		
34	VOE1556907	1							Gasket		(VOE469328)
35	VOE4772141	1					SS		Setting indicator		
36									Engine anchorage		See ref 218/100
37	VOE1161277	REQ							Sealant		20G

Date: 2014/2/13	Image id: AT145	Catalogue: 97785	Model: L90C OR
Brand: Volvo	Serial: 36001-36023, 70060-80000	Group/Section: 211/100	Title: Cylinder head



Pos	Part	Q1	Q2	Q3	Q4	Q5	PS	Kit	Description	Option(s)	Remark
	VOE420878	2							Cylinder head		
1		2					NS		•Cylinder head		
2	VOE420874	6							••Valve seat		STD D, INLET
	VOE420876	6							••Valve seat		0,20 O SZ
3	VOE420875	6							••Valve seat		STD D, EXHAUST
	VOE420877	6							••Valve seat		0,20 O SZ

<https://www.ebooklibonline.com>

Hello dear friend!

Thank you very much for reading.

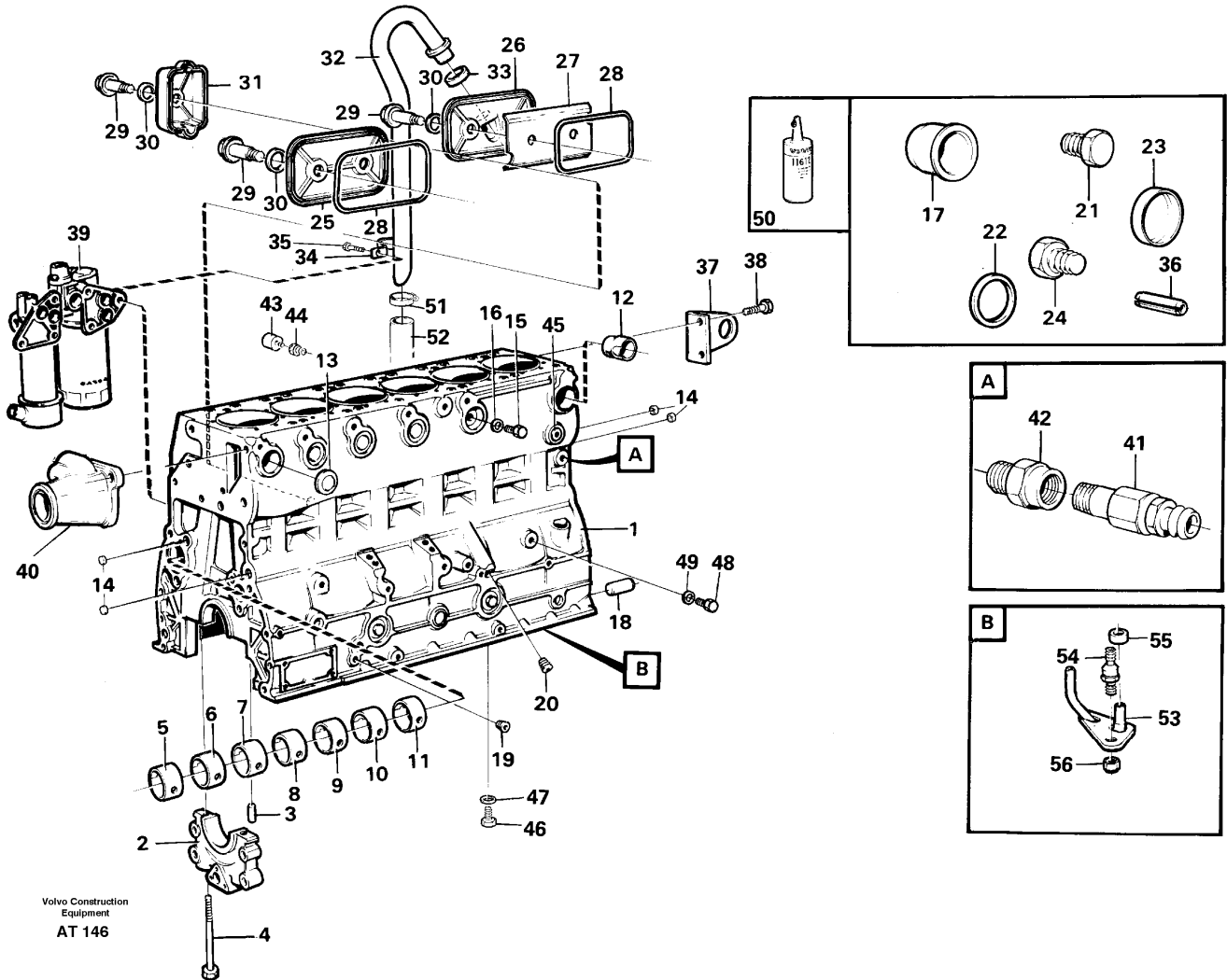
Enter the link into your browser.

The full manual is available for immediate download.

<https://www.ebooklibonline.com>

4	VOE477792	12							••Valve guide		
5A	VOE270575	6					SS		••Repair kit		
5	VOE8192085	6							•••Sleeve		(VOE466404)
6	VOE466405	6							•••Sealing ring		
7	VOE466922	6							•••Sealing ring		
8	VOE466420	6							•••Ring		
9	VOE477026	14							••Expansion plug		
10	VOE477024	8							••Expansion plug		
11	VOE465420	4							••Nozzle		
12	VOE947626	4							••Gasket		
13	VOE420553	6					SS		•Inlet valve		
14	VOE8192143	6							•Exhaust valve		
15	VOE465233	12							•Valve spring		
16	VOE465550	12							•Washer		
17	VOE1677875	24							•Valve Collet		
18	VOE465551	12							•Protecting sleeve		
19	VOE7420129	6							Rocker arm		(VOE420129)INLET
	VOE420132	6							Rocker arm		EXHAUST
20	VOE422993	12							•Bolt		(VOE423058)
21	VOE940175	12							•Nut		
22	VOE420125	12							•Bushing		(VOE7420125)
23	VOE465790	2							Shaft		
24	VOE13955083	4							•Cap plug		(VOE955083)
25	VOE411139	4							Spring		
26	VOE1665204	6							Bearing Bracket		(VOE465793)
27	VOE471513	8							Screw		
28	VOE471512	4							Screw		
29	VOE7400722	4							Shim		(VOE400722)
30	VOE914456	4							Retaining ring		
31	VOE465951	2							Valve cover		
32	VOE465952	2							Gasket		
33	VOE465961	4							Cap nut		
34	VOE471856	4							Sealing ring		
	VOE276821	2							Gasket kit		
35	VOE465784	12							•Sealing		
36	VOE466421	16							•Sealing ring		
37	VOE422413	2							•Sealing ring		
38		2					NS		•Cylinder head gasket		
39	VOE465840	40							Screw		

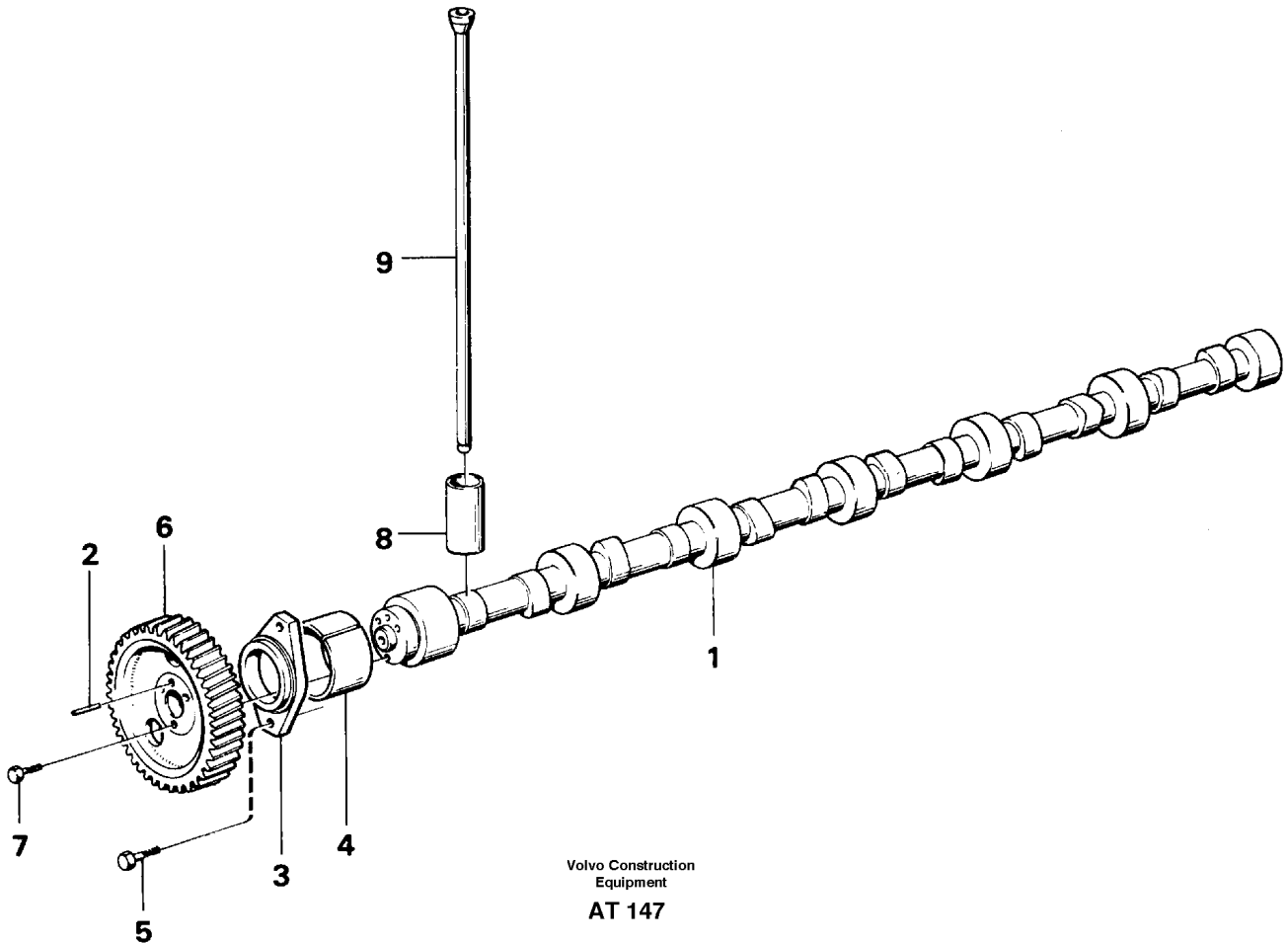
Date: 2014/2/13	Image id: AT146	Catalogue: 97785	Model: L90C OR
Brand: Volvo	Serial: 36001-36023, 70060-80000	Group/Section: 212/100	Title: Cylinder block



Pos	Part	Q1	Q2	Q3	Q4	Q5	PS	Kit	Description	Option(s)	Remark
1	VOE420990	1							Cylinder block		
2		7					NS		•Bearing carrier		
3	VOE422426	1							••Pin		
4	VOE465899	14							••Screw		
5	VOE422076	1							•Bushing		
6	VOE422077	1							•Bushing		(VOE7422077)
7	VOE422078	1							•Bushing		
8	VOE11000014	1							•Bushing		(VOE422079)
9	VOE422080	1							•Bushing		(VOE7422080)
10	VOE422081	1							•Bushing		
11	VOE422082	1							•Bushing		

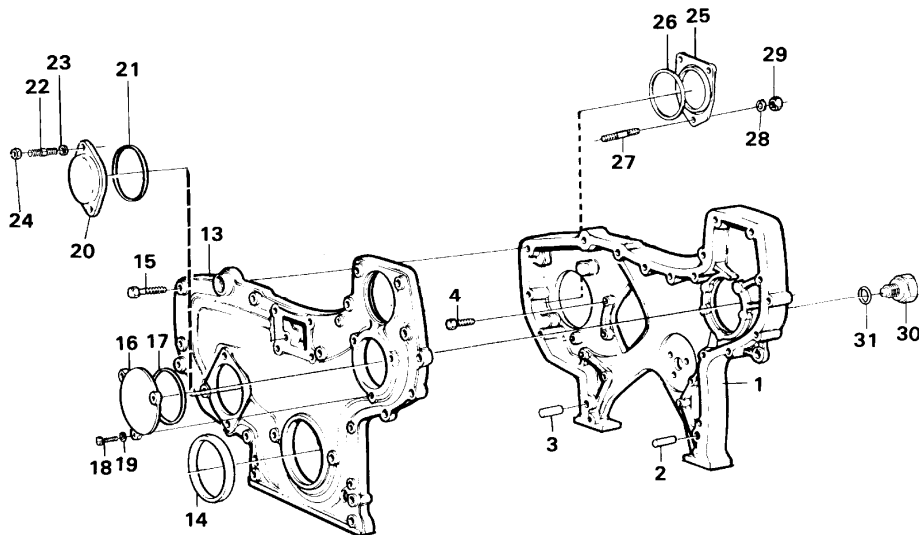
12	VOE421154	6							•Nozzle		
13	VOE13968955	4							•Expansion plug		
14	VOE955082	6							•Cap plug		
15	VOE467367	2							•Plug		(VOE467649)
16	VOE1556907	2							•Gasket		(VOE469328)
17	VOE422369	7							•Plug		
18	VOE191171	2							•Pin		(VOE191171)
19	VOE952075	2							•Plug		6,3500 MM
20	VOE968145	3							•Plug		9,5250 MM
21	VOE960630	1							Plug		M14x1,5
22	VOE13969011	1							Gasket		
23	VOE955082	1							Cap plug		
24	VOE479979	4							Plug		3,1750 MM
25	VOE420120	1							Inspection lid		
26	VOE420121	1							Hatch		
27	VOE3978045	1							Splash plate		(VOE471858)
28	VOE421121	2							Gasket		
29	VOE471855	5							Screw		
30	VOE471856	5							Sealing ring		
31	VOE471854	1							Cover		
32	VOE848497	1							Breather pipe		
33	VOE421158	1							Sealing ring		
34	VOE849059	1							Clamp		
35	VOE946440	1							Flange screw		
36	VOE951974	1							Spring pin		
37		2					NS		Lifting eye		BAK/REAR
38	VOE13965191	4							Screw		(VOE965191)M12x30
39		1							Oil filter housing		See ref 222/100
40		1							Spacer		See ref 262/100
41	VOE13947893	1							Crane		(VOE947893)
42	VOE479954	1							Nipple		(VOE7190130)
43	VOE11039249	1							Pressure monitor		SE 16
44	VOE862109	1							Nipple		
45	VOE420589	1							Expansion plug		
46	VOE966146	1					SS		Plug		
47	VOE13947629	1							Plane gasket		
48	VOE13965768	1							Plug		
49	VOE13947281	1							Gasket		
50	VOE1161277	REQ							Sealant		20G
	VOE11713514	REQ							Sealant		(VOE1161231)304ML
51	VOE943475	1							Hose clamp		
52	VOE927661	REQ							Rubber hose		L=450 MM
53	VOE477437	6							Nozzle		
54	VOE471596	6							Stud		
55	VOE466874	6							Sealing ring		
56	VOE13948570	6							Lock nut		

Date: 2014/2/13	Image id: AT147	Catalogue: 97785	Model: L90C OR
Brand: Volvo	Serial: 36001-36023, 70060-80000	Group/Section: 215/100	Title: Camshaft

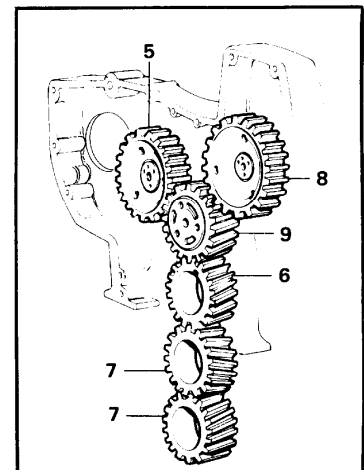
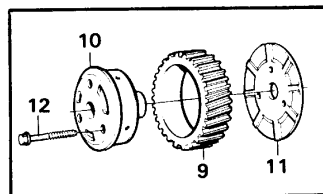


Pos	Part	Q1	Q2	Q3	Q4	Q5	PS	Kit	Description	Option(s)	Remark
1	VOE465787	1							Camshaft		
		1					NS		•Camshaft		
2	VOE950588	1							•Pin		
3	VOE465789	1							Flange		
4		7							Bushing		See ref 212/100
5	VOE471509	2							Screw		
6	VOE478297	1							Gear		
7	VOE471555	3							Screw		
8	VOE421067	12							Tappet		
9	VOE420021	12							Rod		

Date: 2014/2/13	Image id: AT148	Catalogue: 97785	Model: L90C OR
Brand: Volvo	Serial: 36001-36023, 70060-80000	Group/Section: 215/150	Title: Timing gear casing



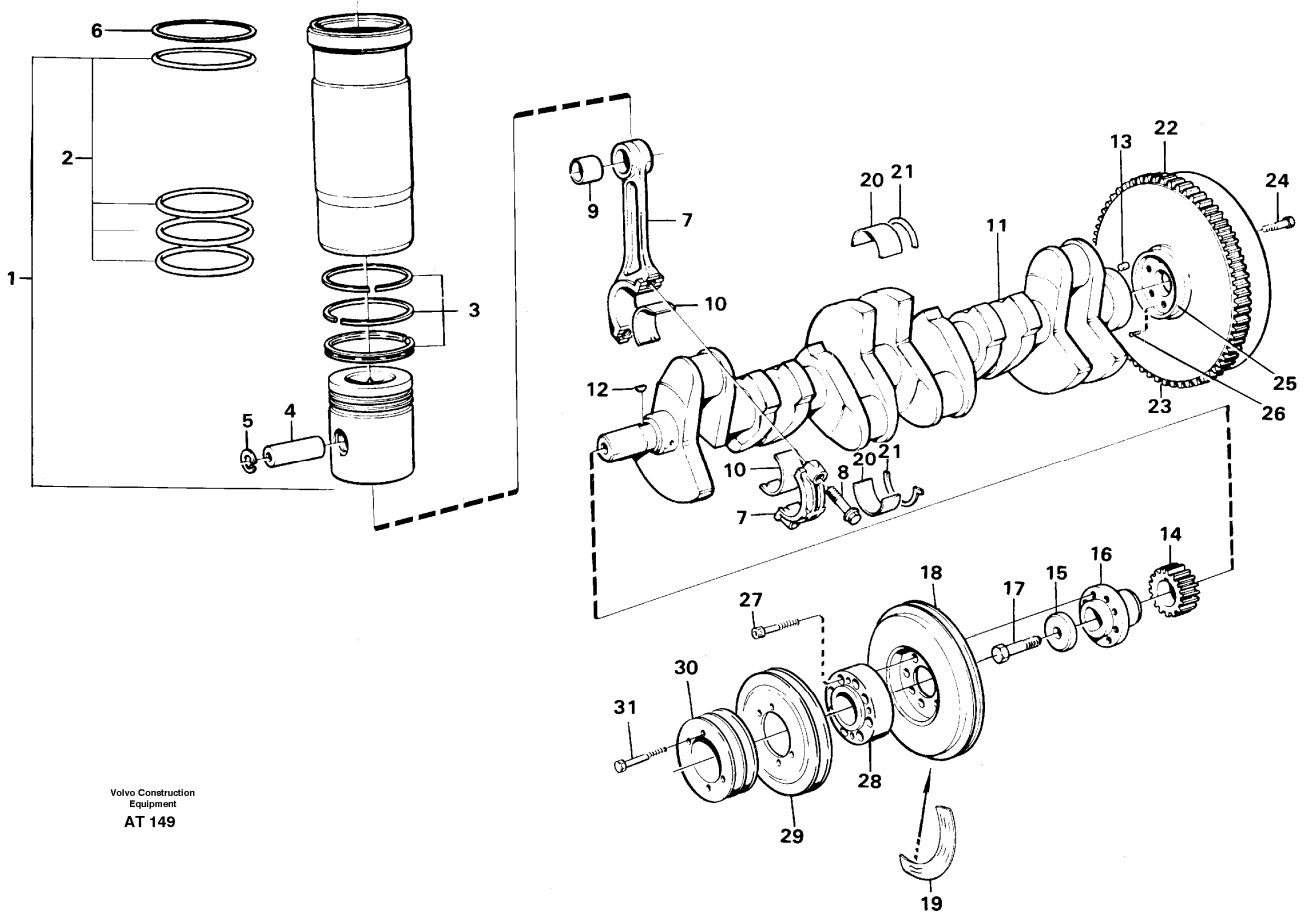
Volvo Construction
Equipment
AT 148



Pos	Part	Q1	Q2	Q3	Q4	Q5	PS	Kit	Description	Option(s)	Remark
1	VOE471505	1							Timing gear casing		
2	VOE13941510	1							Pin		(VOE941510)
3	VOE13941511	1							Pin		(VOE941511)
4	VOE471534	2							Screw		L=28MM
	VOE471535	2							Screw		L=58MM
5		1							Gear		See ref 215/100
6		1							Gear		See ref 216/100
7		2							Gear		See ref 221/150
8		1							Gear		See ref 236/100
9	VOE8192518	1							Idler gear		
		1					NS		•Bearing		
10	VOE422766	1					SS		Pin		(VOE467463)
11	VOE478951	1							Thrust washer		(VOE467529)
12	VOE471554	3							Screw		
13	VOE8192590	1							Timing gear cover		(VOE8192052)

14	VOE477118	1							•Sealing ring		
15	VOE13947760	7							Screw		(VOE947760)M8x40
	VOE13948217	2							Screw		(VOE948217)M8x45
	VOE13965216	1							Screw		(VOE965216)M8x55
	VOE13965182	6							Screw		(VOE965182)M8x80
	VOE13965183	1							Flange screw		(VOE965183)M8x90
	VOE965225	1							Flange screw		(VOE966343)M12x35
16	VOE471559	1							Cover		
17	VOE925257	1							O-ring		
18	VOE13945444	3							Screw		(VOE945444)
19	VOE13941907	3							Washer		(VOE941907)
20	VOE465735	1							Cover		
21	VOE925094	1							O-ring		
22	VOE479972	1							Stud		M10x45x30
	VOE479973	1							Stud		M10x80x65
23	VOE955895	2							Washer		
24	VOE13971095	2							Flange nut		
25	VOE420178	1							Cover		
26	VOE13975610	1							O-ring		(VOE413619)
27	VOE967951	3							Stud		
28	VOE955899	3							Washer		
29	VOE13971097	3							Flange nut		(VOE965484)
30	VOE13960632	1							Plug		(VOE960632)
31	VOE13947624	2							Plane gasket		(VOE7011998)
32	VOE1161277	1							Sealant		20G

Date: 2014/2/13	Image id: AT149	Catalogue: 97785	Model: L90C OR
Brand: Volvo	Serial: 36001-36023, 70060-80000	Group/Section: 216/100	Title: Crankshaft and related parts

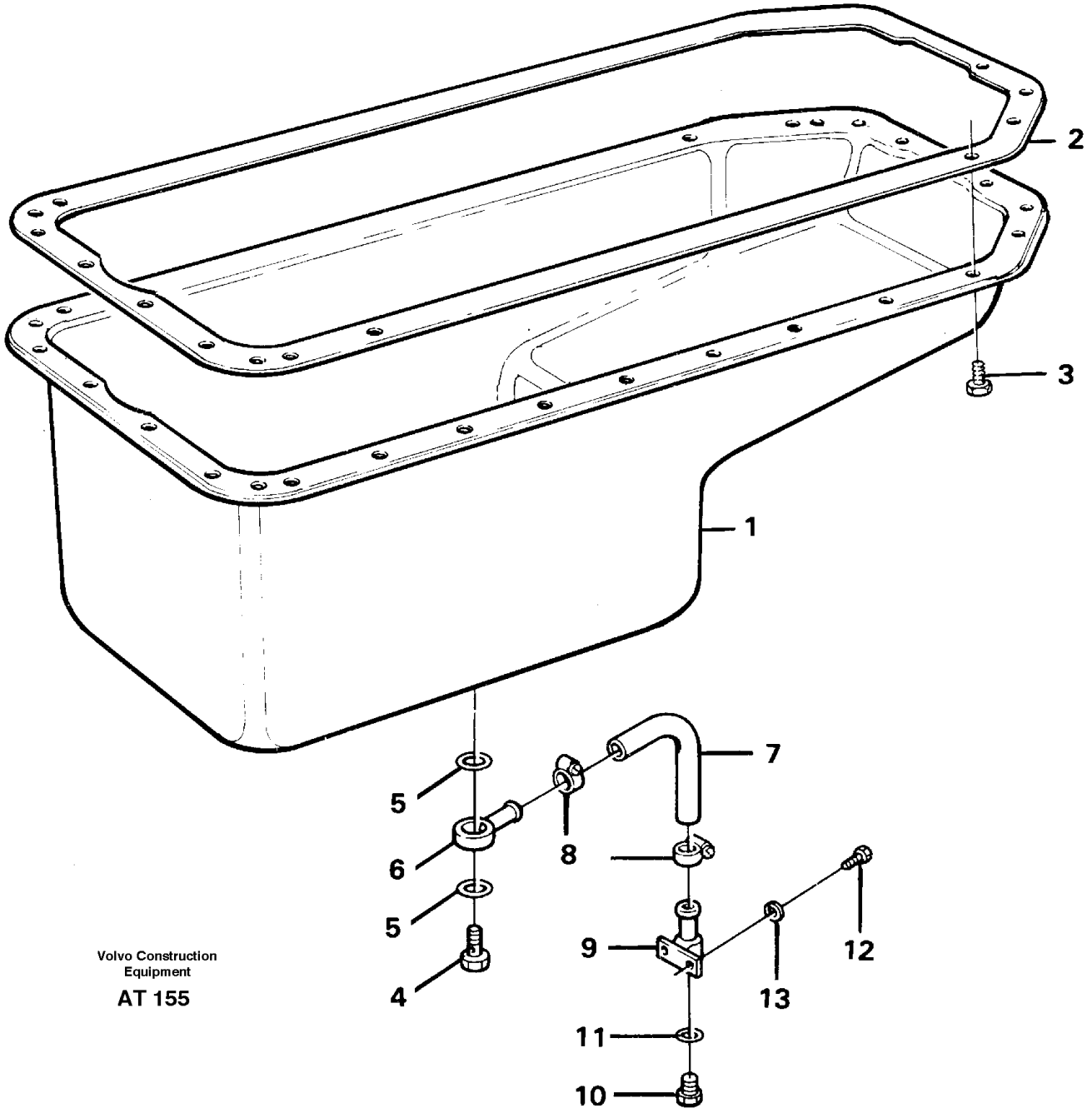


Volvo Construction
Equipment
AT 149

Pos	Part	Q1	Q2	Q3	Q4	Q5	PS	Kit	Description	Option(s)	Remark
1	VOE275648	6					SS		Cylinder liner kit		
		6					NS		•Cylinder liner		
2	VOE271161	6							•Sealing ring kit		
		6					NS		••Sealing strip		ÖVRE/UPPER
		12					NS		••Sealing strip		NEDRE/LOWER
		6					NS		••Sealing strip		NEDRE/LOWER
		6					NS		•Piston		
3	VOE276310	6							•Piston ring kit		
		6					NS		••Compression ring		ÖVRE/UPPER
		6					NS		••Compression ring		NEDRE/LOWER
		6					NS		••Oil scraper ring		
4	VOE3978023	6							•Gudgeon pin		(VOE420988)
5	VOE914523	12							•Retaining ring		
6	VOE465394	REQ							Shim		THICK = 0,20 MM

	VOE465395	REQ							Shim		THICK = 0,30 MM
	VOE465396	REQ							Shim		THICK = 0,50 MM
7	VOE3092237	6							Connecting rod		(VOE465812)
		1					NS		•Connecting rod		
		1					NS		•Bearing carrier		
8	VOE465815	12							•Screw		
9	VOE465816	6							•Bushing		ENG - 144544
9	VOE8192121	6							•Bushing		ENG 144545 -
10	VOE270139	6							Piston Bearing		STD SZ
	VOE270140	6							Big End Brg Kit		0.25 MM U SZ
	VOE270141	6							Big End Brg Kit		0.50 MM U SZ
11	VOE8192122	1					SS		Crankshaft		
12	VOE422253	1							•Key		
13	VOE950677	1							Pin		
14	VOE471528	1							Gear		
15	VOE420124	1							Washer		
16	VOE465779	1							Hub		
17	VOE470366	1							Screw		
18	VOE421515	1							Vibration damper		
19	VOE467834	1							Sign		
20	VOE271230	7							Main bearing kit		STD SZ
	VOE271231	7							Main bearing kit		0,25 MM U SZ
	VOE271232	7							Main bearing kit		0,50 MM U SZ
	VOE271233	7							Main bearing kit		0,75 MM U SZ
	VOE271234	7							Main bearing kit		1,00 MM U SZ
21	VOE276751	1							Thrust washer kit		STD SZ
	VOE276752	1							Thrust washer		(VOE276752)0,10 MM O SZ
	VOE276753	1							Thrust washer		(VOE276753)0,20 MM O SZ
22	VOE11030938	1							Flywheel		
23	VOE420314	1							•Gear ring		(VOE420067)
24	VOE471541	9							Screw		
25	VOE786589	1							Deflector		
26	VOE905654	4							Drive screw		
27	VOE4772247	8							Screw		
28	VOE4772218	1							Hub		
29	VOE4772217	1							Pulley		
30	VOE4772236	1							Pulley		
31	VOE13965187	4							Screw		

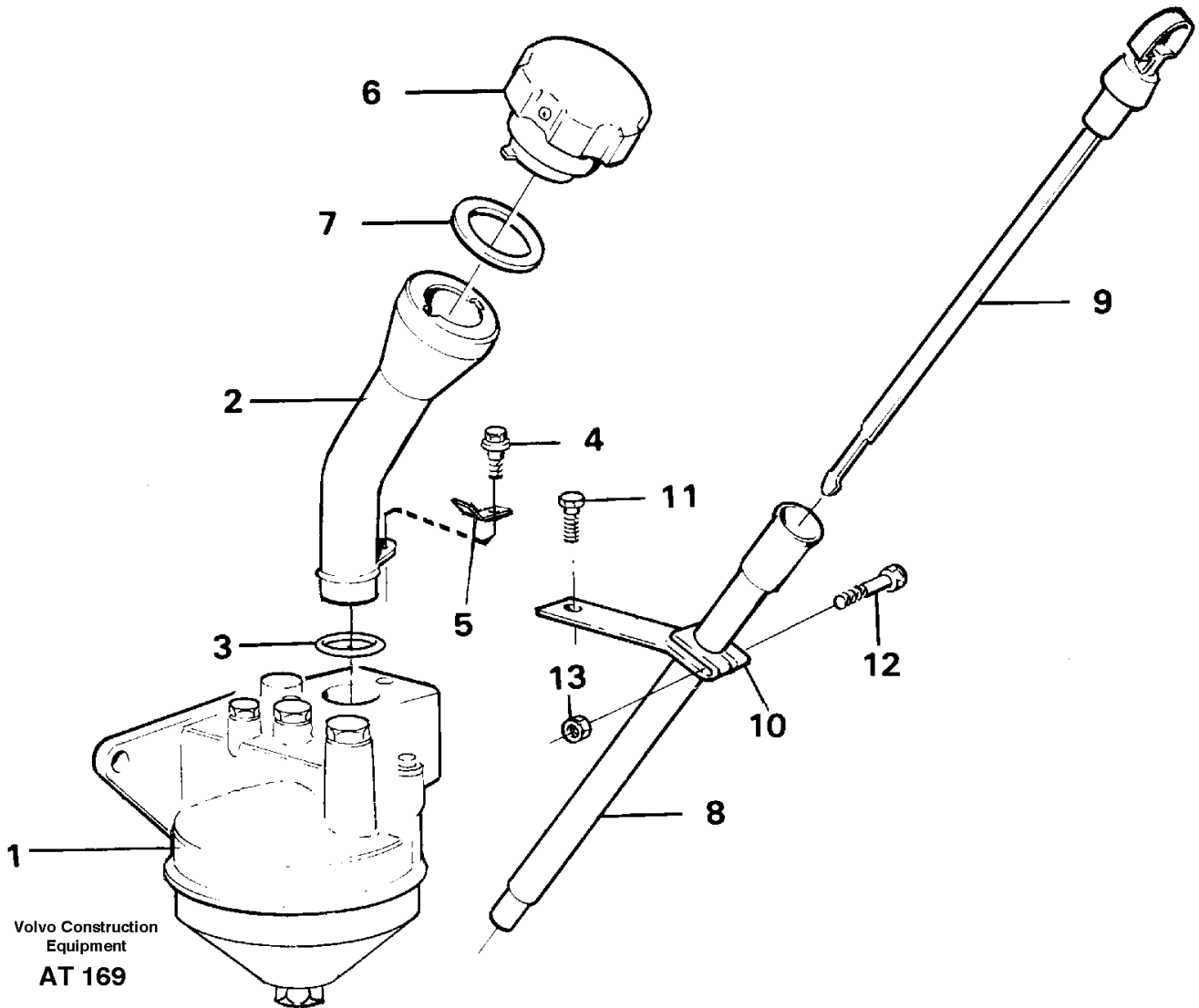
Date: 2014/2/13	Image id: AT155	Catalogue: 97785	Model: L90C OR
Brand: Volvo	Serial: 36001-36023, 70060-80000	Group/Section: 217/100	Title: Oil sump



Pos	Part	Q1	Q2	Q3	Q4	Q5	PS	Kit	Description	Option(s)	Remark
1	VOE11162235	1							Oil pan		(VOE465622)
2	VOE11030778	1							Gasket		(VOE424918)
3	VOE946440	34							Flange screw		
4	VOE11024182	1							Hollow screw		

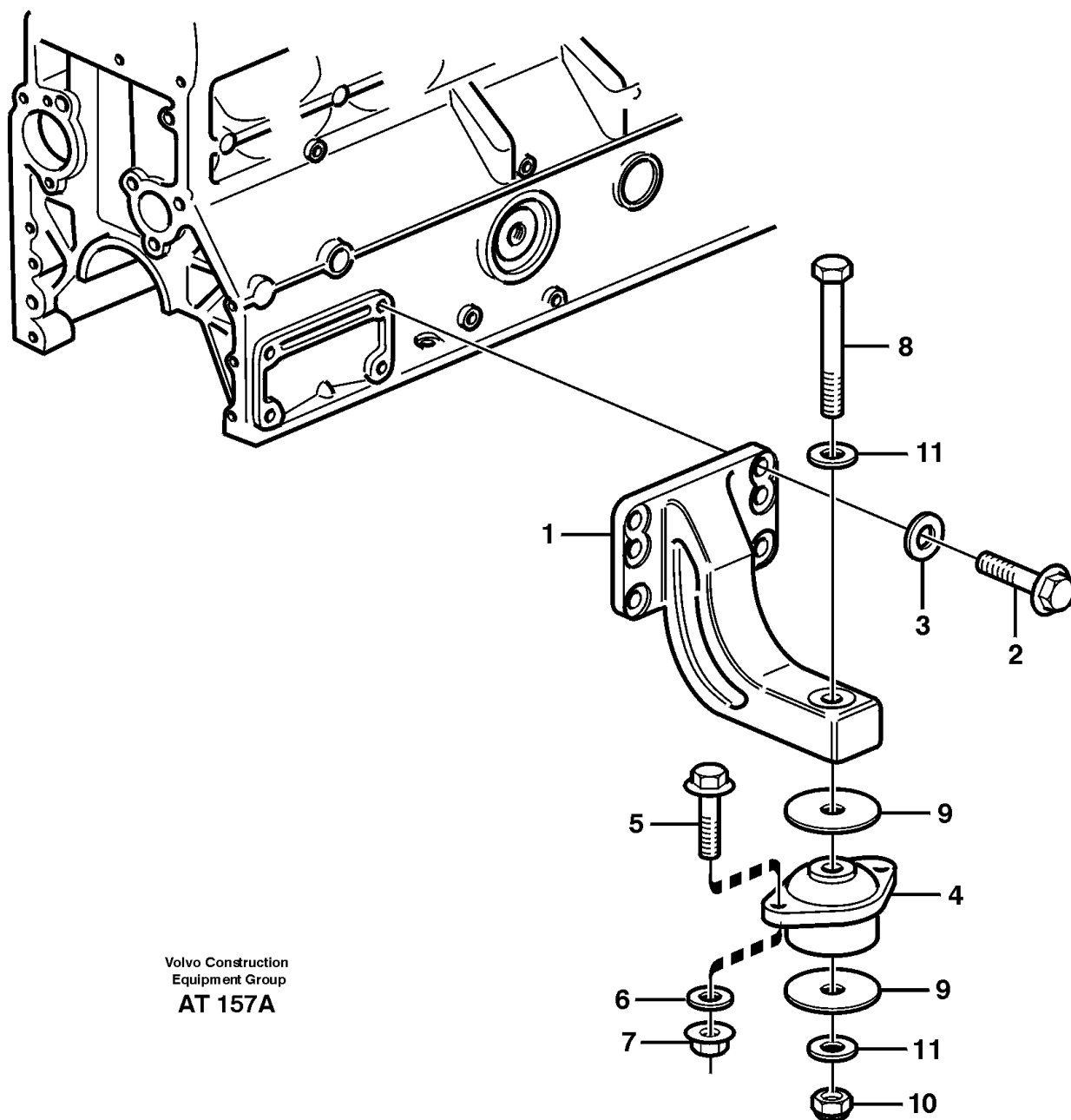
5	VOE13955997	2						O-ring		
6	VOE4761859	1						Oil draining pipe		
7	VOE13961191	ERF						Hydraulic hose		L=590 MM
8	VOE13943472	2						Hose clamp		(VOE943472)
9	VOE4850236	1						Nipple		
10	VOE926370	1						Plug		
11	VOE13949574	1						O-ring		
12	VOE13955294	2						Screw		
13	VOE13955894	2						Washer		

Date: 2014/2/13	Image id: AT169	Catalogue: 97785	Model: L90C OR
Brand: Volvo	Serial: 36001-36023, 70060-80000	Group/Section: 217/200	Title: Oil filler and dipstick



Pos	Part	Q1	Q2	Q3	Q4	Q5	PS	Kit	Description	Option(s)	Remark
1		1							Filter Housing		See ref 222/150
2	VOE4772233	1							Oil filler pipe		
3	VOE421629	1							Sealing ring		
4	VOE13946173	1							Screw		(VOE946173)M8x20
5	VOE421713	1							Tab washer		
6	VOE421753	1							Filler cap		
7	VOE1275379	1							•Gasket		(VOE940096)
8	VOE11030765	1							Pipe		
9	VOE4772191	1							Dipstick		
	VOE925054	1							•O-ring		

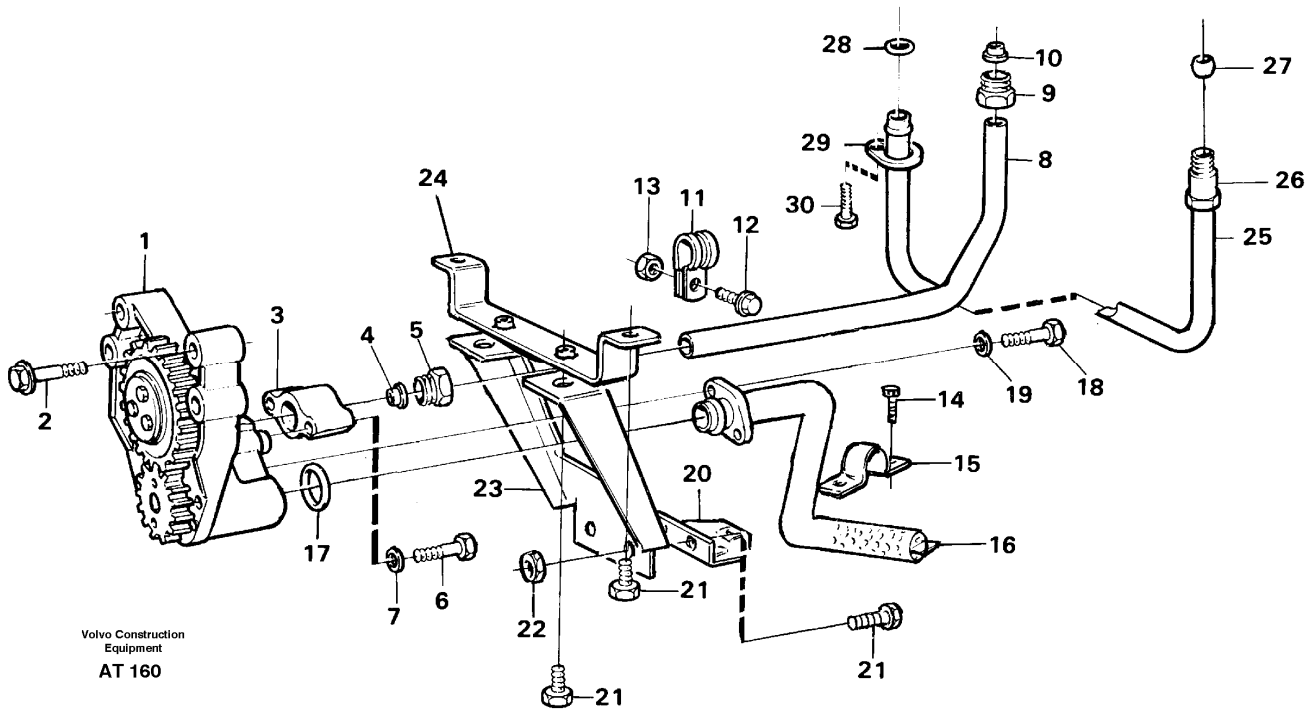
Date: 2014/2/13	Image id: AT157A	Catalogue: 97785	Model: L90C OR
Brand: Volvo	Serial: 36001-36023, 70060-80000	Group/Section: 218/100	Title: Engine mounting



Volvo Construction
Equipment Group
AT 157A

Pos	Part	Q1	Q2	Q3	Q4	Q5	PS	Kit	Description	Option(s)	Remark
1	VOE4856778	2							Engine anchorage		
	VOE11015919	2							Engine anchorage	VOE93608	

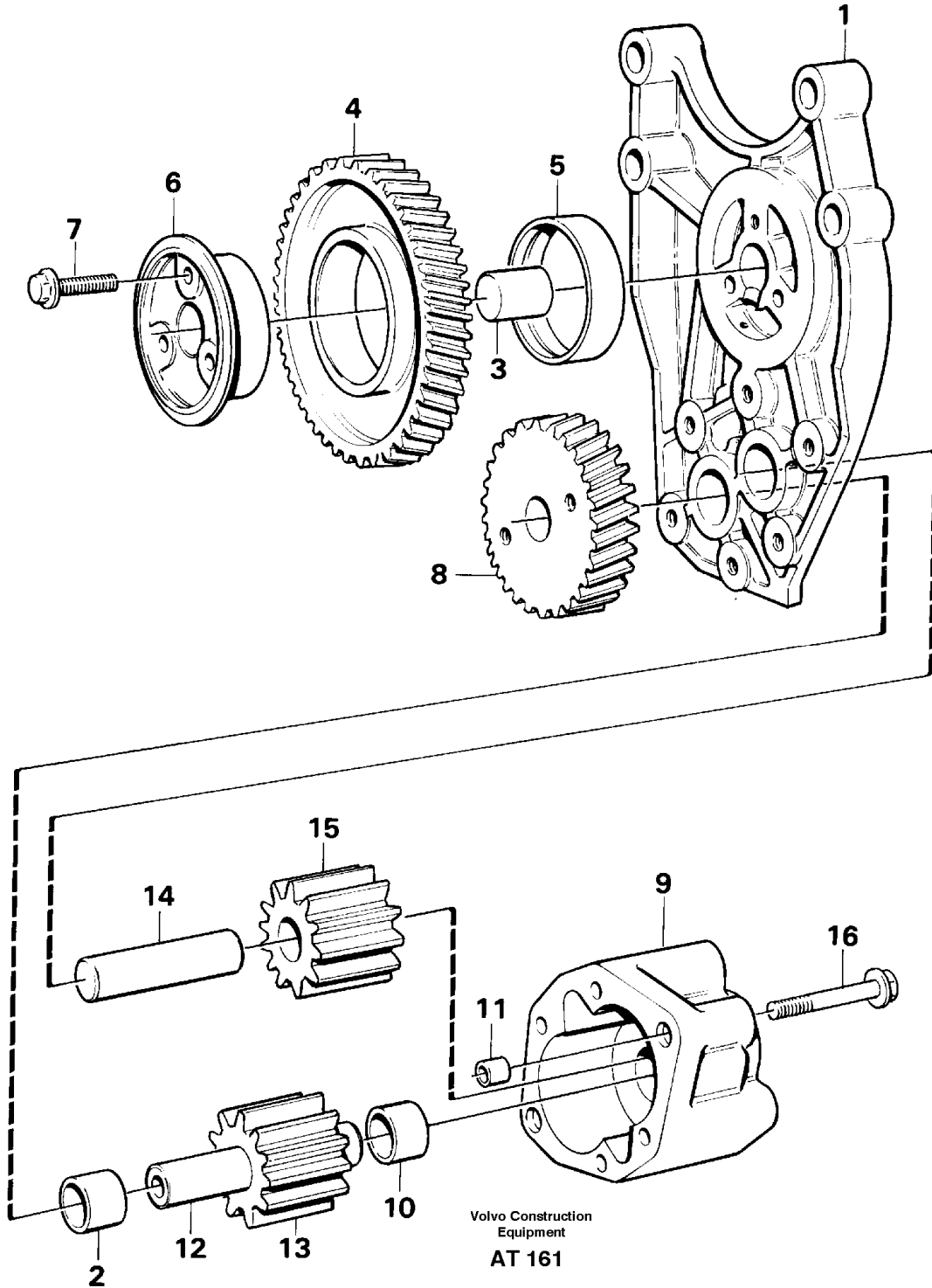
Date: 2014/2/13	Image id: AT160	Catalogue: 97785	Model: L90C OR
Brand: Volvo	Serial: 36001-36023, 70060-80000	Group/Section: 221/100	Title: Lubricating oil system



Pos	Part	Q1	Q2	Q3	Q4	Q5	PS	Kit	Description	Option(s)	Remark
1		1							Oil pump		See ref 221/150
2	VOE471513	4							Screw		M10x70
	VOE471734	2							Screw		M8x70
3	VOE465846	1							Sleeve		
4	VOE980786	1							Fitting		(VOE956972)
5	VOE471588	1							Connector		
6	VOE13955308	2							Screw		(VOE955308)
7	VOE191172	2							Washer		
8	VOE420993	1							Oil feed pipe		
9	VOE471588	2							•Connector		
10	VOE980786	2							•Fitting		(VOE956972)
11	VOE1545433	1							Clamp		
12	VOE13946173	1							Screw		(VOE946173)
13	VOE13945408	1							Nut		(VOE948645)
14	VOE13946544	2							Screw		(VOE965218)
15	VOE11030722	1							Clamp		
16	VOE11030734	1							Suction pipe		
17	VOE470383	2							Sealing ring		
18	VOE13965183	2							Flange screw		(VOE965182)

19	VOE13955894	2							Washer		(VOE955894)
20	VOE11030720	1							Bracket		
21	VOE946440	6							Flange screw		
22	VOE946036	2							Lock nut		
23	VOE11030725	1					SS		Baffle plate		
24	VOE11030718	1							Bracket		
25	VOE420996	1							Oil feed pipe		
26	VOE471588	1							•Connector		
27	VOE980786	1							•Fitting		(VOE956972)
28	VOE471956	2							•Sealing ring		
29	VOE471746	1							•Clamp		
30	VOE946440	1							Flange screw		

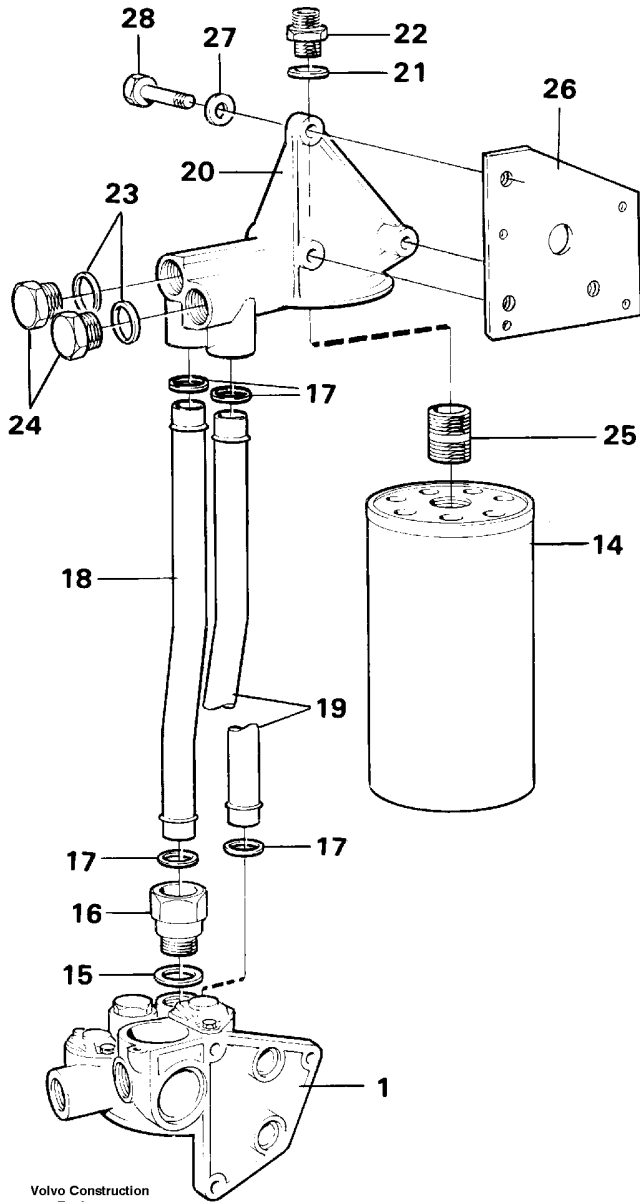
Date: 2014/2/13	Image id: AT161	Catalogue: 97785	Model: L90C OR
Brand: Volvo	Serial: 36001-36023, 70060-80000	Group/Section: 221/150	Title: Oil pump



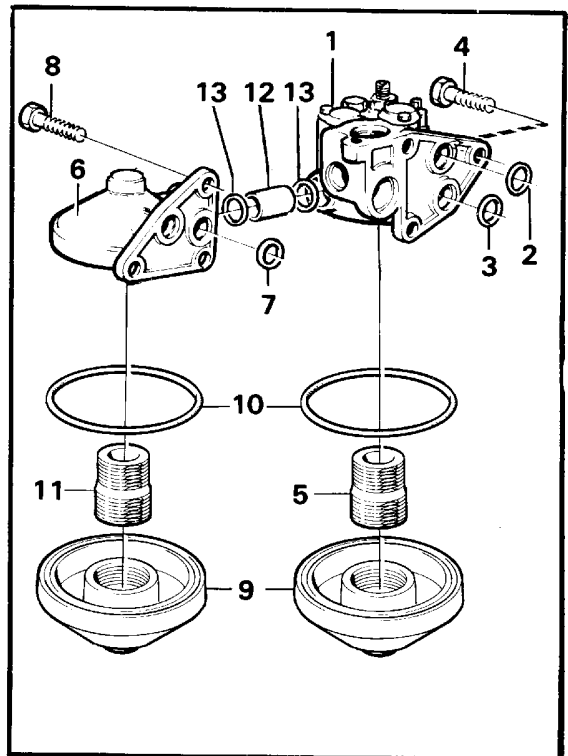
Pos	Part	Q1	Q2	Q3	Q4	Q5	PS	Kit	Description	Option(s)	Remark
-----	------	----	----	----	----	----	----	-----	-------------	-----------	--------

	VOE477547	1							Oil pump		
1	VOE471571	1							•Bracket		
2	VOE470347	2						K	••Bushing		
3	VOE191171	1							••Pin		
	VOE471942	1							•Drive Gear		
4		1					NS		••Idler gear		
5		1					NS		••Bearing ring		
6	VOE420048	1							•Bearing sleeve		
7	VOE471586	3							•Screw		
8	VOE471941	1							•Drive Gear		
9		1					NS		•Oil pump housing		
10	VOE470347	2						K	••Bushing		
11	VOE401146	2							••Guide sleeve		
12		1					NS	K	•Drive shaft		
13		1					NS	K	••Pump gear		
14		1					NS	K	•Idler shaft		
15		1					NS	K	••Pump gear		
16	VOE13965181	2							•Screw		(VOE965218)
	VOE276152	1							Repair kit		(VOE275773)

Date: 2014/2/13	Image id: AT167	Catalogue: 97785	Model: L90C OR
Brand: Volvo	Serial: 36001-36023, 70060-80000	Group/Section: 222/100	Title: Oil filter



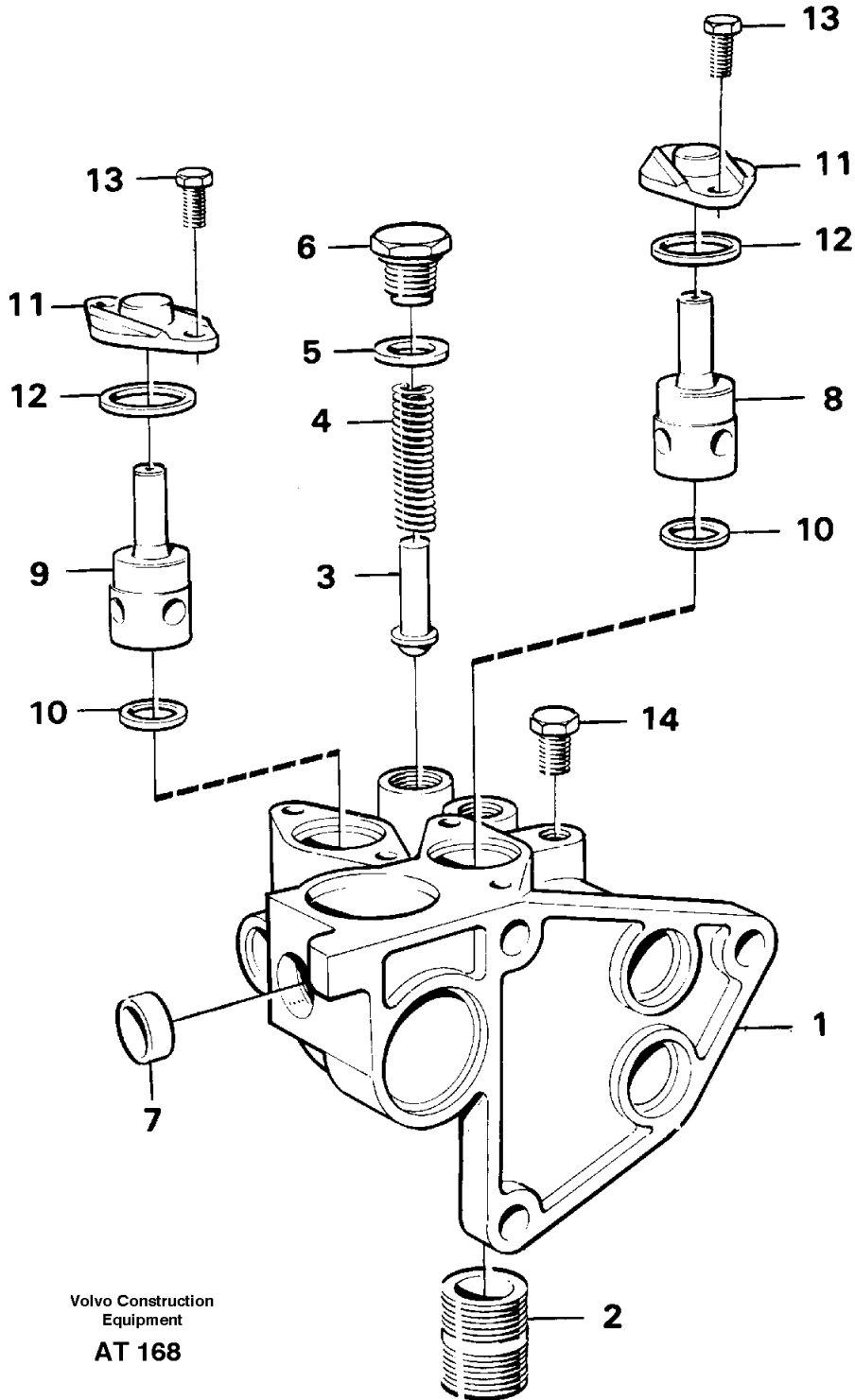
Volvo Construction
Equipment
AT 167



Pos	Part	Q1	Q2	Q3	Q4	Q5	PS	Kit	Description	Option(s)	Remark
1		1							Filter Housing		See ref 222/150
2	VOE13949656	2							O-ring		
3	VOE13949722	1							O-ring		
4	VOE946329	2							Flange screw		M10x25
	VOE13965222	1							Screw		M10x65
5		1							Nipple		See ref 222/150

6	VOE471601	1							Bracket		
7	VOE13949656	2							O-ring		
8	VOE946329	3							Flange screw		
9	VOE3812509	2							Casing		(VOE848431)
10	VOE13948981	2							O-ring		
11	VOE469904	1							Nipple		
12	VOE465857	1							Tube		
13	VOE471956	2							Sealing ring		
14	VOE466634	1							Oil filter		
15	VOE13947625	1							Plane gasket		
16	VOE11030597	1							Nipple		
17	VOE471956	4							Sealing ring		
18	VOE11030617	1							Pipe		
19	VOE11030616	1							Pipe		
20	VOE11030594	1							Housing		
21	VOE13947622	1							Plane gasket		
22	VOE13963948	1							Nipple		
23	VOE13947627	2							Plane gasket		(VOE947627)
24	VOE13966145	2							Plug		
25	VOE466623	1							Nipple		
26	VOE11030605	1							Bracket		
27	VOE13955894	3							Washer		(VOE955894)
28	VOE940132	2							Hexagon screw		M8x35
	VOE955306	1							Hexagon screw		M8x80

Date: 2014/2/13	Image id: AT168	Catalogue: 97785	Model: L90C OR
Brand: Volvo	Serial: 36001-36023, 70060-80000	Group/Section: 222/150	Title: Housing, oil filter

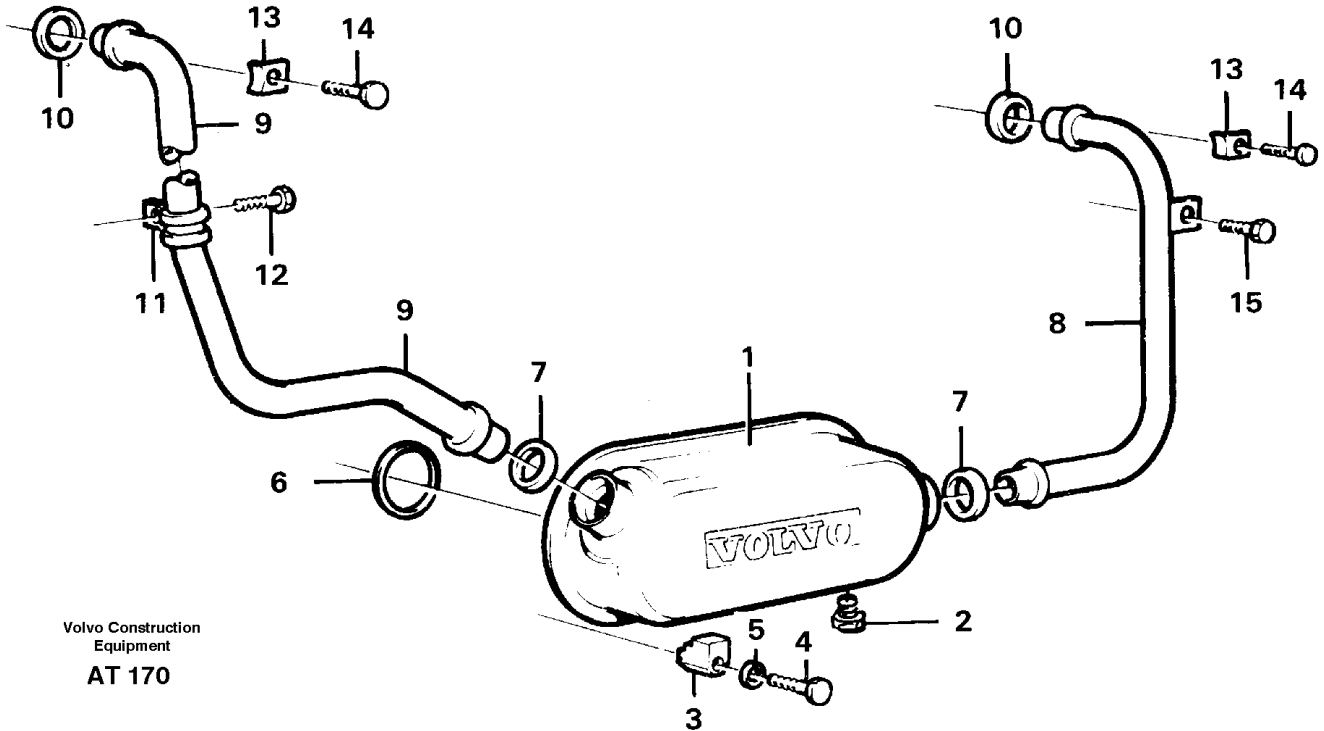


Volvo Construction
Equipment
AT 168

Pos	Part	Q1	Q2	Q3	Q4	Q5	PS	Kit	Description	Option(s)	Remark
-----	------	----	----	----	----	----	----	-----	-------------	-----------	--------

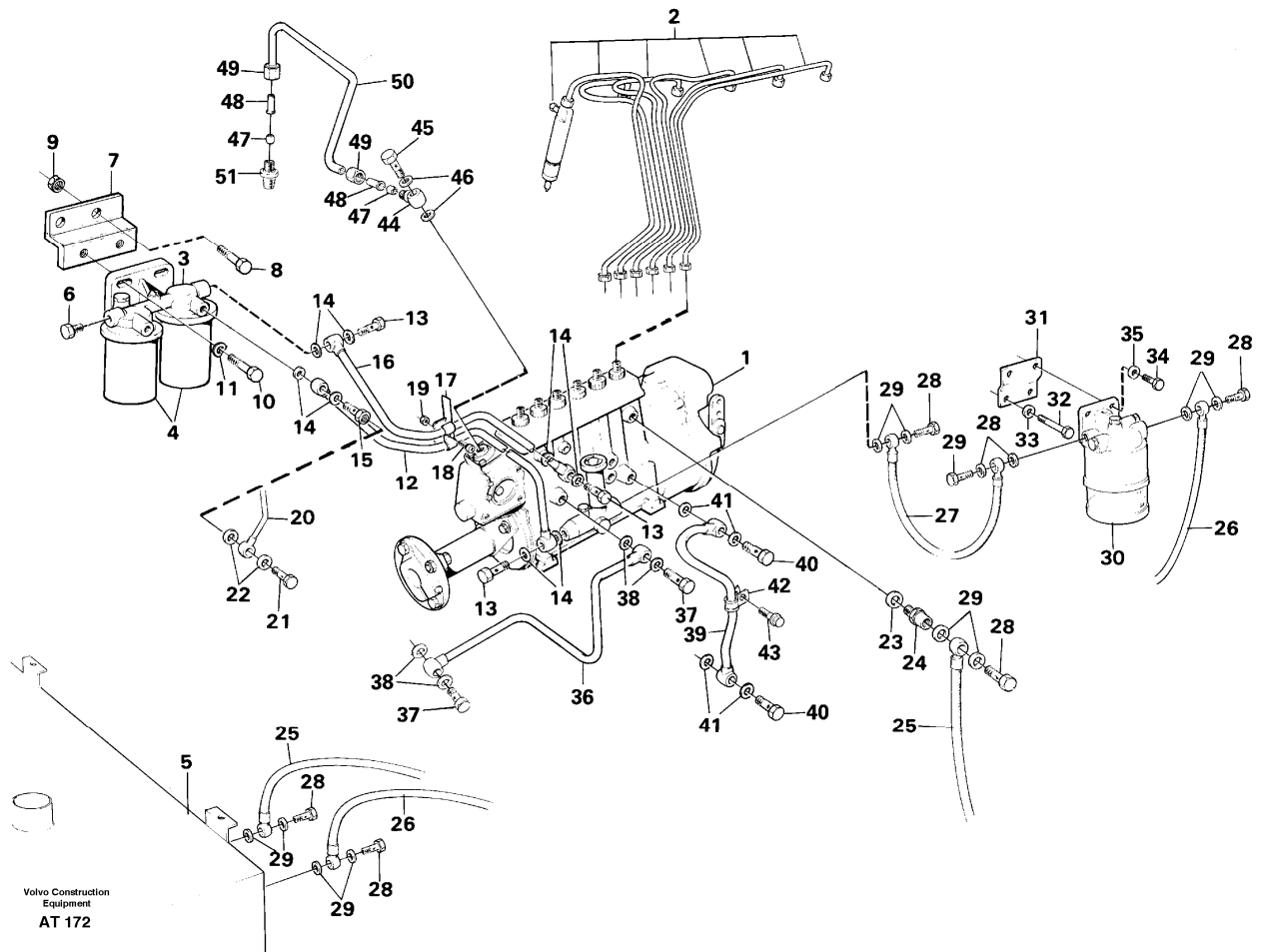
	VOE11030601	1							Housing		
1		1					NS		•Housing		
2	VOE11030599	1							•Nipple		
3	VOE471085	1							•Valve cone		
4	VOE466653	1							•Compression spring		
5	VOE13947627	1							•Plane gasket		(VOE947627)
6	VOE471598	1							•Plug		
7	VOE13948811	1							•Cap plug		
8	VOE471706	1							•Reduction valve		
9	VOE471646	1							•Piston cooling valve		
10	VOE469846	2							•Sealing ring		
11	VOE471648	2							•Cover		
12	VOE949659	2							•O-ring		
13	VOE13946544	4							•Screw		
14	VOE479979	1							•Plug		

Date: 2014/2/13	Image id: AT170	Catalogue: 97785	Model: L90C OR
Brand: Volvo	Serial: 36001-36023, 70060-80000	Group/Section: 223/100	Title: Oil cooler



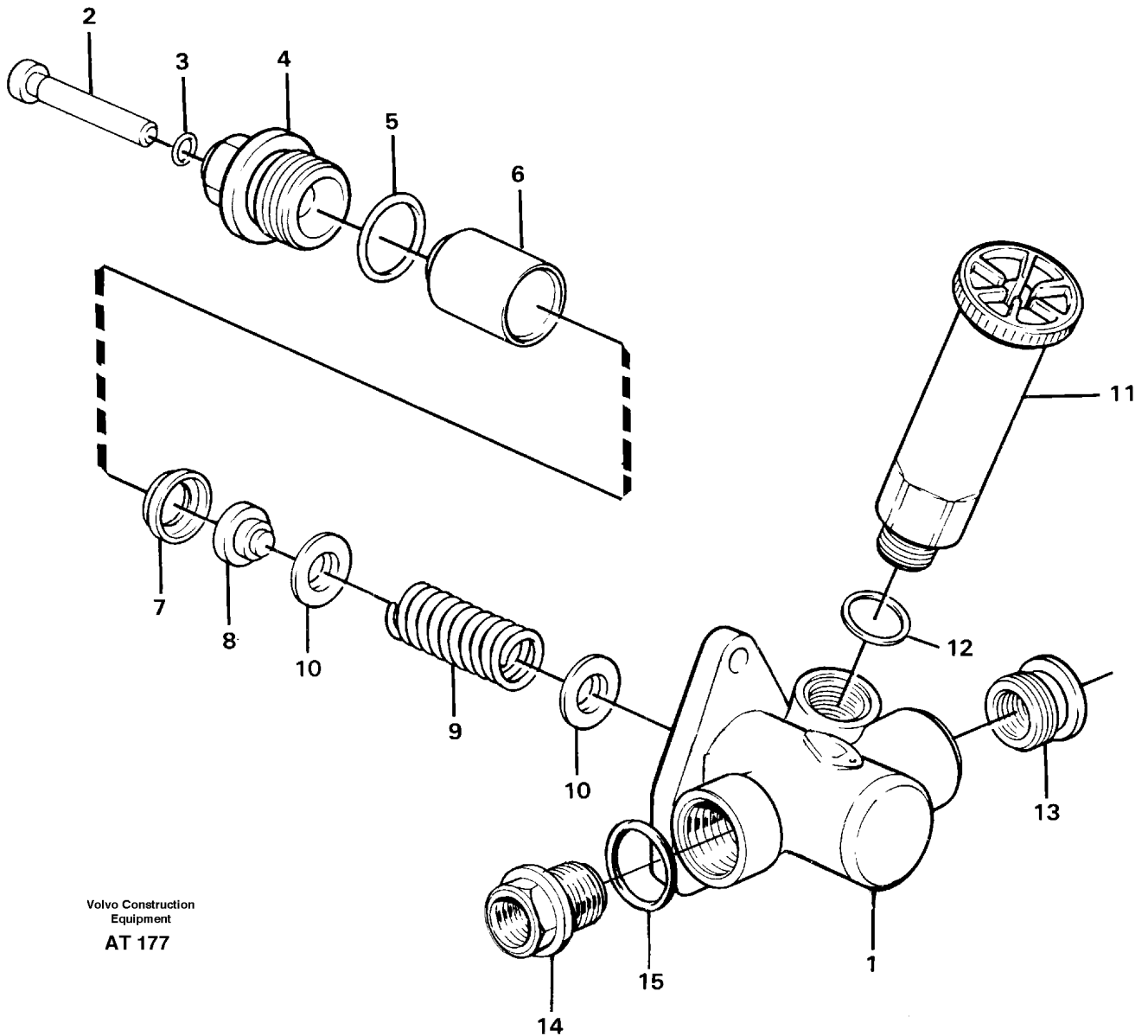
Pos	Part	Q1	Q2	Q3	Q4	Q5	PS	Kit	Description	Option(s)	Remark
1	VOE1661254	1							Oil cooler		
2	VOE180759	1							•Plug		
3	VOE471804	4							Retainer		
4	VOE13965186	2							Screw		(VOE965186)
	VOE965221	2							Flange screw		(VOE13965221)
5	VOE941908	4							Spring washer		
6	VOE471467	2							Sealing ring		
7	VOE471708	2							Sealing ring		
8	VOE848467	1							Coolant pipe		
9	VOE11030930	1							Pipe		
10	VOE471637	2							Sealing ring		
11	VOE968508	1							Clamp		
12	VOE13949846	1							Screw		M8x20
13	VOE421654	2							Clamp		
14	VOE946440	2							Flange screw		M8x16
15	VOE946440	1							Flange screw		M8x16

Date: 2014/2/13	Image id: AT172	Catalogue: 97785	Model: L90C OR
Brand: Volvo	Serial: 36001-36023, 70060-80000	Group/Section: 230/100	Title: Fuel system



Pos	Part	Q1	Q2	Q3	Q4	Q5	PS	Kit	Description	Option(s)	Remark
1		1							Injection pump		See ref 236/100
2									Pipe, injector		See ref 237/100
3		1							Filter Housing		See ref 233/150
4		2							Fuel filter		See ref 233/150
5		1							Fuel tank		See ref 234/100
6	VOE13968062	3							Plug		
7	VOE11030776	1							Bracket		
8	VOE946329	2							Flange screw		
9	VOE971071	2							Hexagon nut		
10	VOE13946752	2							Screw		
11	VOE941908	2							Spring washer		
12	VOE11030774	1							Fuel pipe		
13	VOE7025167	3							Hollow screw		

Date: 2014/2/13	Image id: AT177	Catalogue: 97785	Model: L90C OR
Brand: Volvo	Serial: 36001-36023, 70060-80000	Group/Section: 233/100	Title: Feed pump



Volvo Construction
Equipment
AT 177

Pos	Part	Q1	Q2	Q3	Q4	Q5	PS	Kit	Description	Option(s)	Remark
	VOE244825	1							Feed pump		
1		1					NS		•Housing		
2	VOE244826	1							•Push rod		
3	VOE11716292	1							•O-ring		(VOE244829)
4	VOE244827	1							•Nipple		
5	VOE15031180	1							•O-ring		(VOE244828)
6	VOE244831	1							•Piston		
7	VOE11706665	1							•Spacer ring		(VOE244835)



Suggest:

For more complete manuals. Please go to the home page.

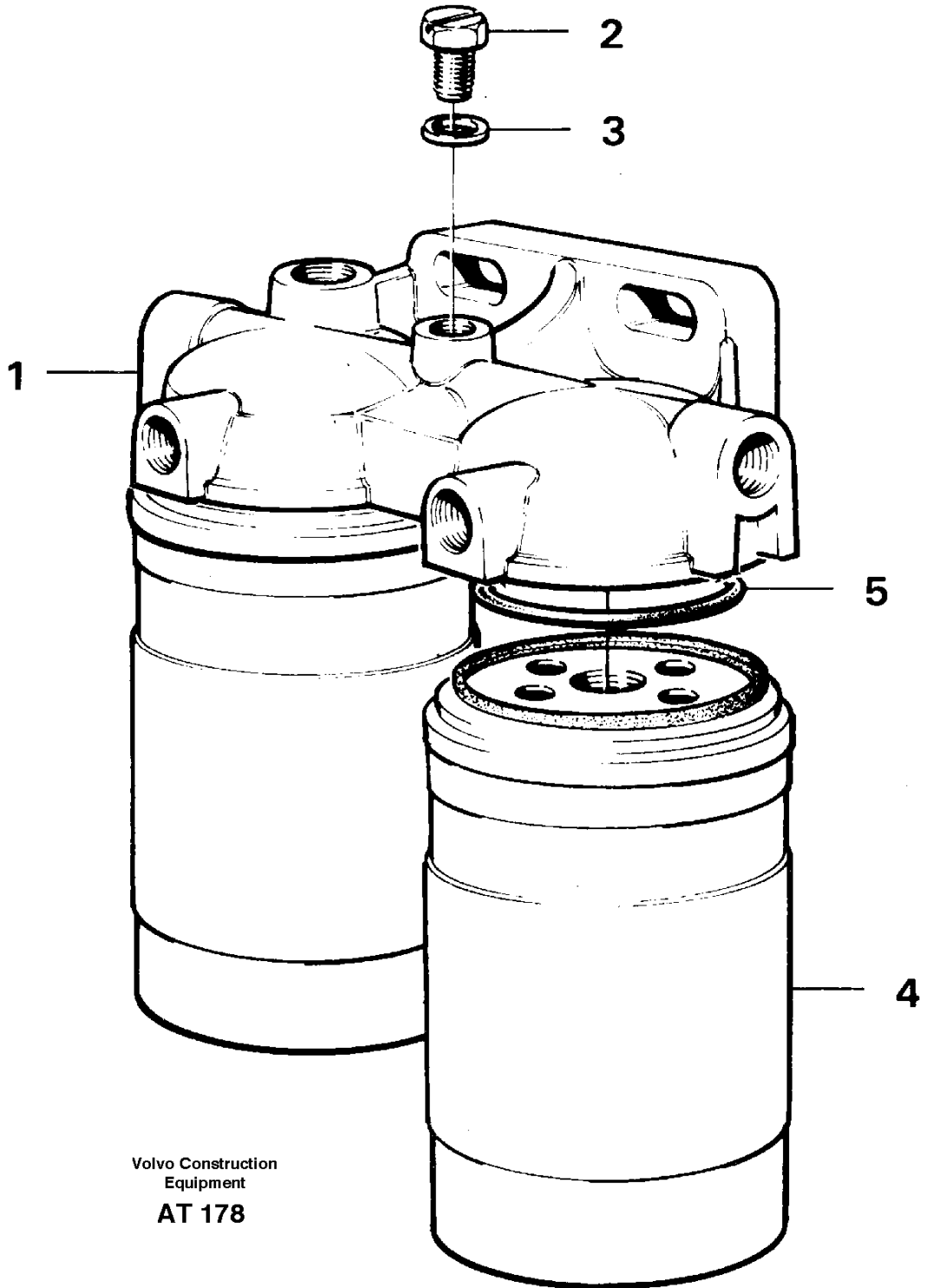
<https://www.ebooklibonline.com>

If the above button click is invalid. Please download this document first, and then click the above link to download the complete manual.

Thank you so much for reading

8	VOE244834	1							•Valve		
9	VOE244832	1							•Spring		
10	VOE244833	2							•Spring disc		
11	VOE3094547	1							•Hand pump		(VOE11991822)
12	VOE240572	1							•Gasket		
13	VOE244836	1							•Bushing		
14	VOE3094340	1							•Nipple		
15	VOE3094341	1							•O-ring		(VOE7240572)

Date: 2014/2/13	Image id: AT178	Catalogue: 97785	Model: L90C OR
Brand: Volvo	Serial: 36001-36023, 70060-80000	Group/Section: 233/150	Title: Fuel filter



Volvo Construction
Equipment
AT 178

Pos	Part	Q1	Q2	Q3	Q4	Q5	PS	Kit	Description	Option(s)	Remark
-----	------	----	----	----	----	----	----	-----	-------------	-----------	--------

<https://www.ebooklibonline.com>

Hello dear friend!

Thank you very much for reading.

Enter the link into your browser.

The full manual is available for immediate download.

<https://www.ebooklibonline.com>