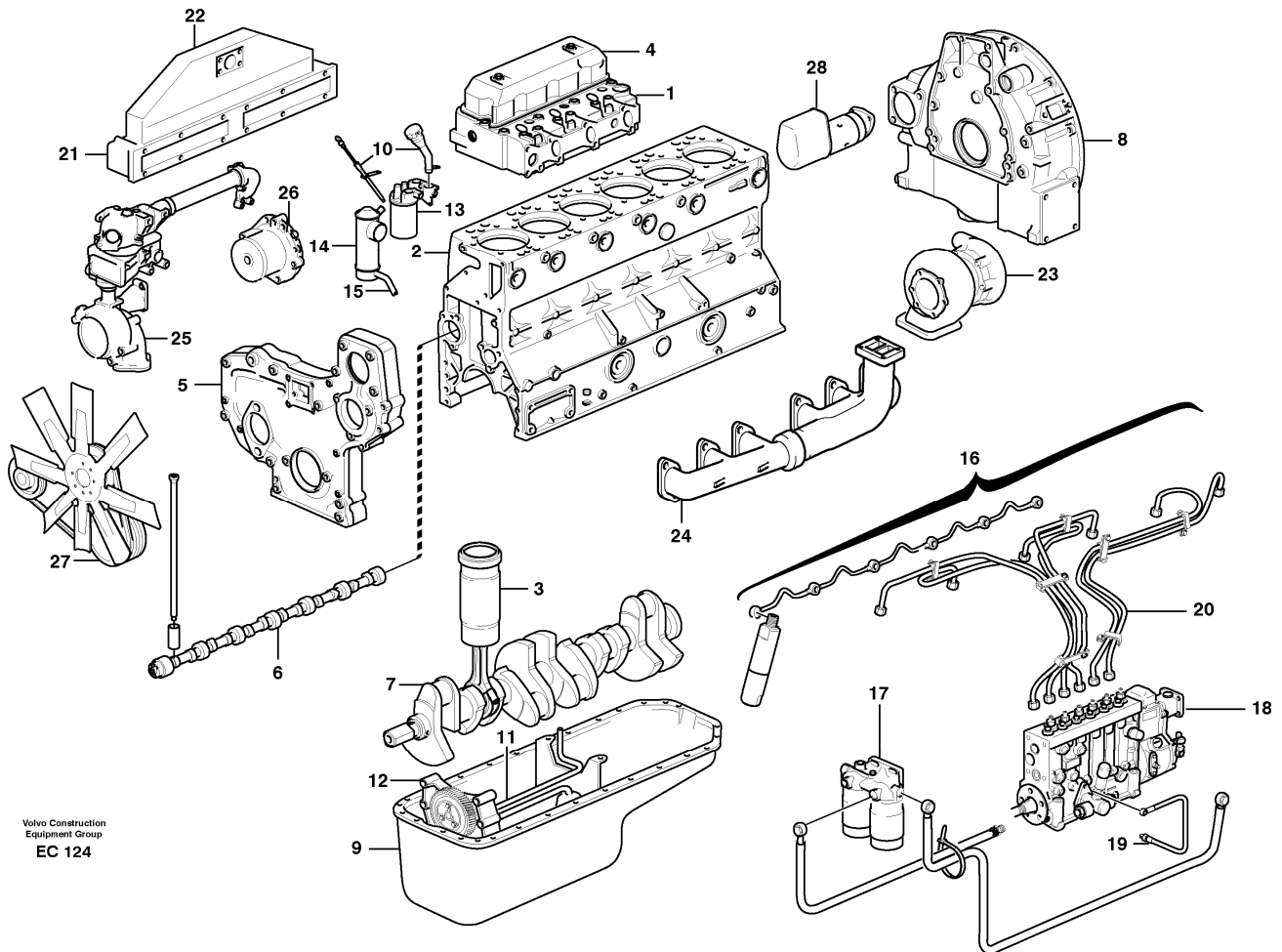


VOLVO

Construction Equipment

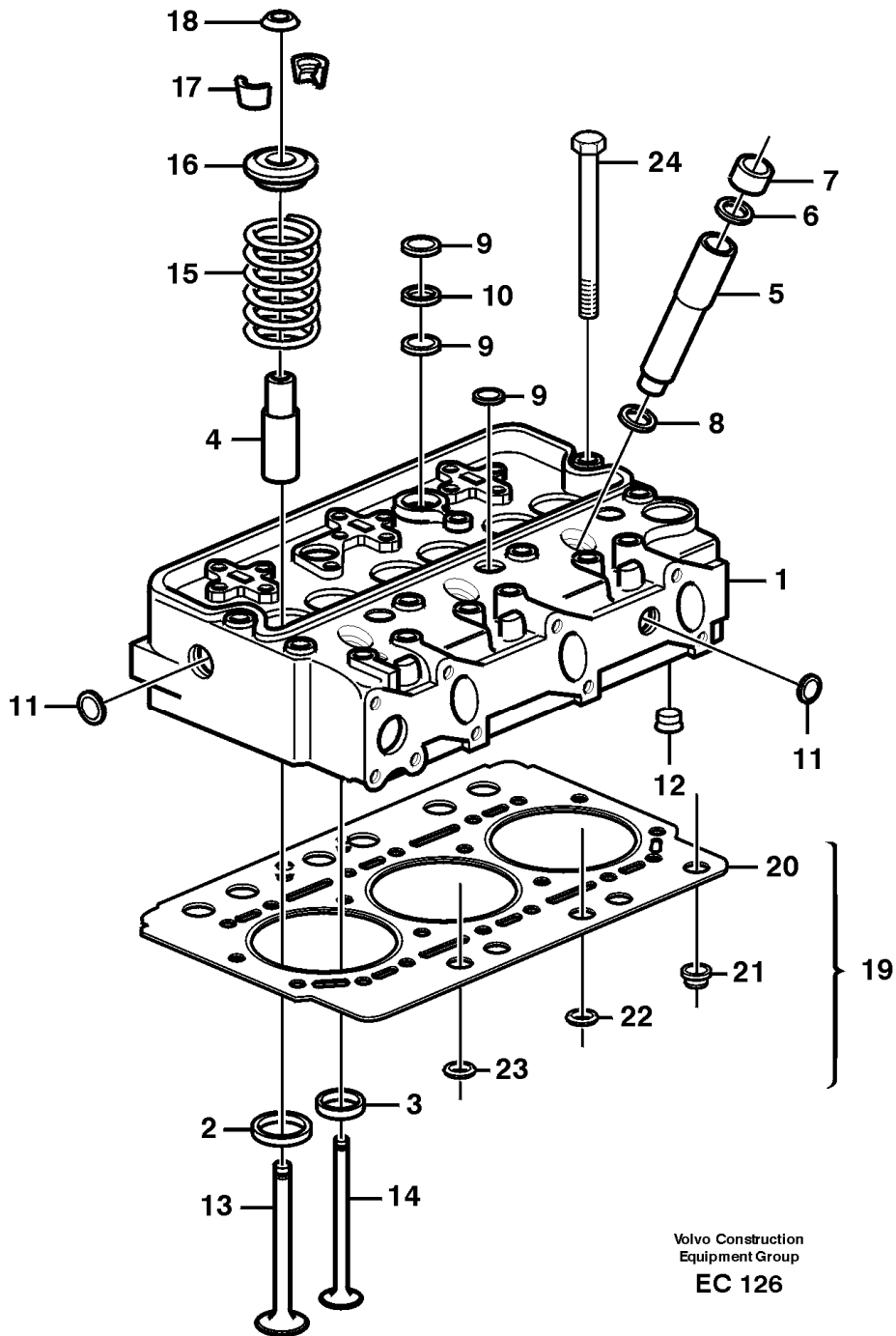
Date: 2014/1/27	Image id: EC124	Catalogue: 97810	Model: L70D
Brand: Volvo	Serial: 17002-19997, 70301-70830	Group/Section: 210/150	Title: Engine



Pos	Part	Q1	Q2	Q3	Q4	Q5	PS	Kit	Description	Option(s)	Remark
	VOE8188103	1							Engine		TD 63 KGE
	VOE8188105	1							Engine	VOE80510, VOE93661	TD 63 KGE
1		2							•Cylinder head		See ref 211/100
2		1							•Cylinder block		See ref 212/100
3		6							•Cylinder liner		See ref 213/100
4		1							•Valve mechanism		See ref 214/100
5		1							•Timing gear casing		See ref 215/100
6		1							•Camshaft		See ref 215/150
7		1							•Crankshaft		See ref 216/100
8		1							•Flywheel housing		See ref 216/150
9		1							•Oil sump		See ref 217/100

10		1							•Oil filler and oil		
									••••dipstick		See ref 217/150
11		1							•Lubricating system		See ref 221/100
12		1							•Oil pump		See ref 221/150
13		1							•Oil filter		See ref 222/100
14		1							•Oil cooler		See ref 223/100
15		1							•Oil cooler with hoses		
									••••Nipple		See ref 223/150
16		1							•Fuel system		See ref 230/100
17		1							••Fuel pipe		See ref 235/150
18		1							••Injection pump		See ref 236/100
19		1							••Oil pipe		See ref 236/300
20		1							••Fuel pipe		See ref 237/100
21		1							•Inlet pipe		See ref 251/100
22		1							•Charge air cooler		See ref 258/100
23		1							•Turbocharger		See ref 255/100
24		1							•Exhaust pipe		See ref 251/100
25		1							•Water pump		See ref 262/100
26		1							•Extra water pump		See ref 262/150
27		1							•Belt transmission		See ref 263/250
28		1							•Starter motor		See ref 331/100

Date: 2014/1/27	Image id: EC126	Catalogue: 97810	Model: L70D
Brand: Volvo	Serial: 17002-19997, 70301-70830	Group/Section: 211/100	Title: Cylinder head



Pos	Part	Q1	Q2	Q3	Q4	Q5	PS	Kit	Description	Option(s)	Remark
-----	------	----	----	----	----	----	----	-----	-------------	-----------	--------

<https://www.ebooklibonline.com>

Hello dear friend!

Thank you very much for reading.

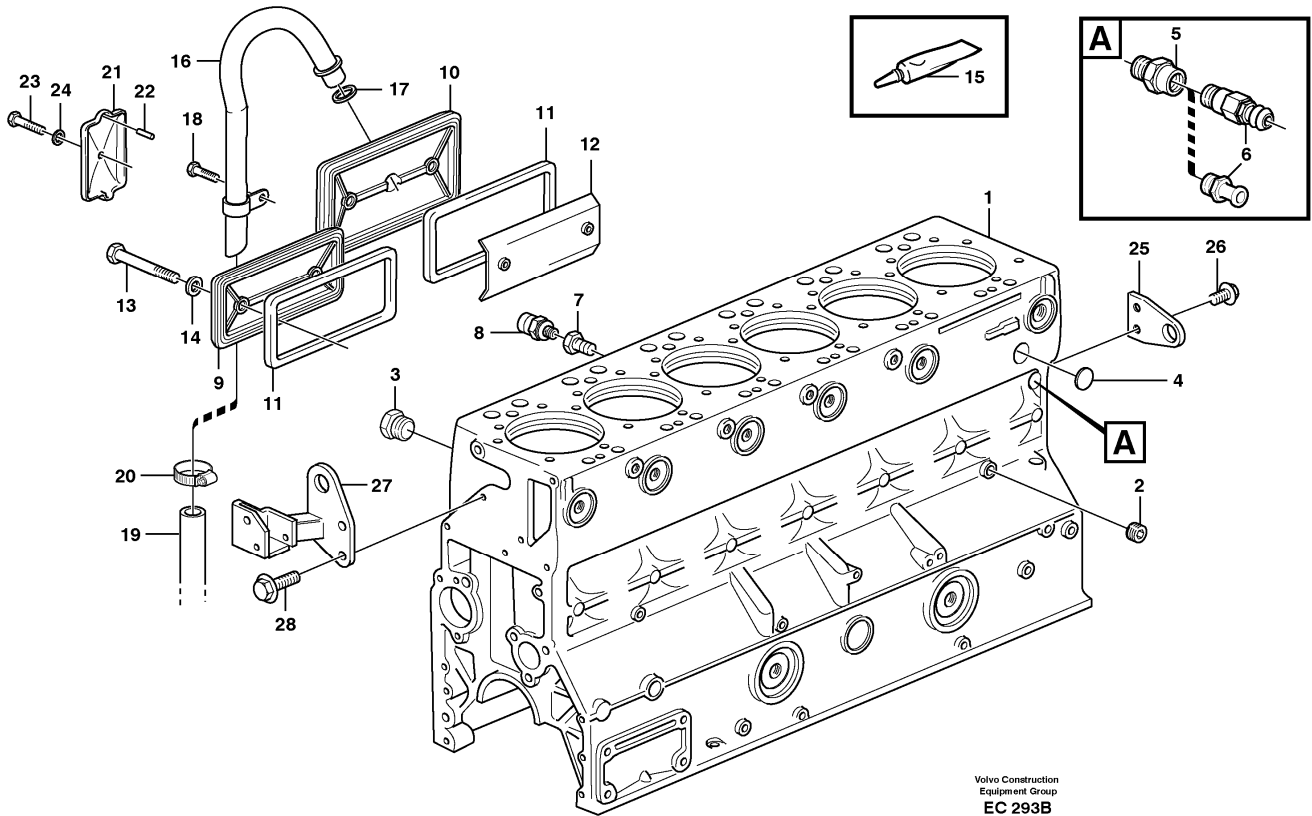
Enter the link into your browser.

The full manual is available for immediate download.

<https://www.ebooklibonline.com>

	VOE420878	2							Cylinder head		
1	VOE420939	2					NS		•Cylinder head		
2	VOE420874	6							••Valve seat		STD, INLET
	VOE420876	6							••Valve seat		0,20 O SZ
3	VOE420875	6							••Valve seat		STD, EXHAUST
	VOE420877	6							••Valve seat		0,20 O SZ
4	VOE477792	12							••Valve guide		
5	VOE8192085	6							••Sleeve		
6	VOE466405	6							••Sealing ring		
7	VOE466420	6							••Ring		
8	VOE466922	6							••Sealing ring		
9	VOE477026	14							••Expansion plug		
10	VOE947626	4							••Gasket		
11	VOE477024	8							••Expansion plug		
12	VOE465420	4							••Nozzle		
13	VOE420553	6					SS		•Inlet valve		
14	VOE8192143	6							•Exhaust valve		
15	VOE465233	12							•Valve spring		
16	VOE465550	12							•Washer		
17	VOE1677875	24							•Valve Collet		
18	VOE465551	12							•Protecting sleeve		
19	VOE276821	2							Gasket kit		
20	VOE8192029	2					NS		•Gasket		
21	VOE466421	16							•Sealing ring		
22	VOE465784	12							•Sealing		
23	VOE422413	2							•Sealing ring		
24	VOE465840	40							Screw		

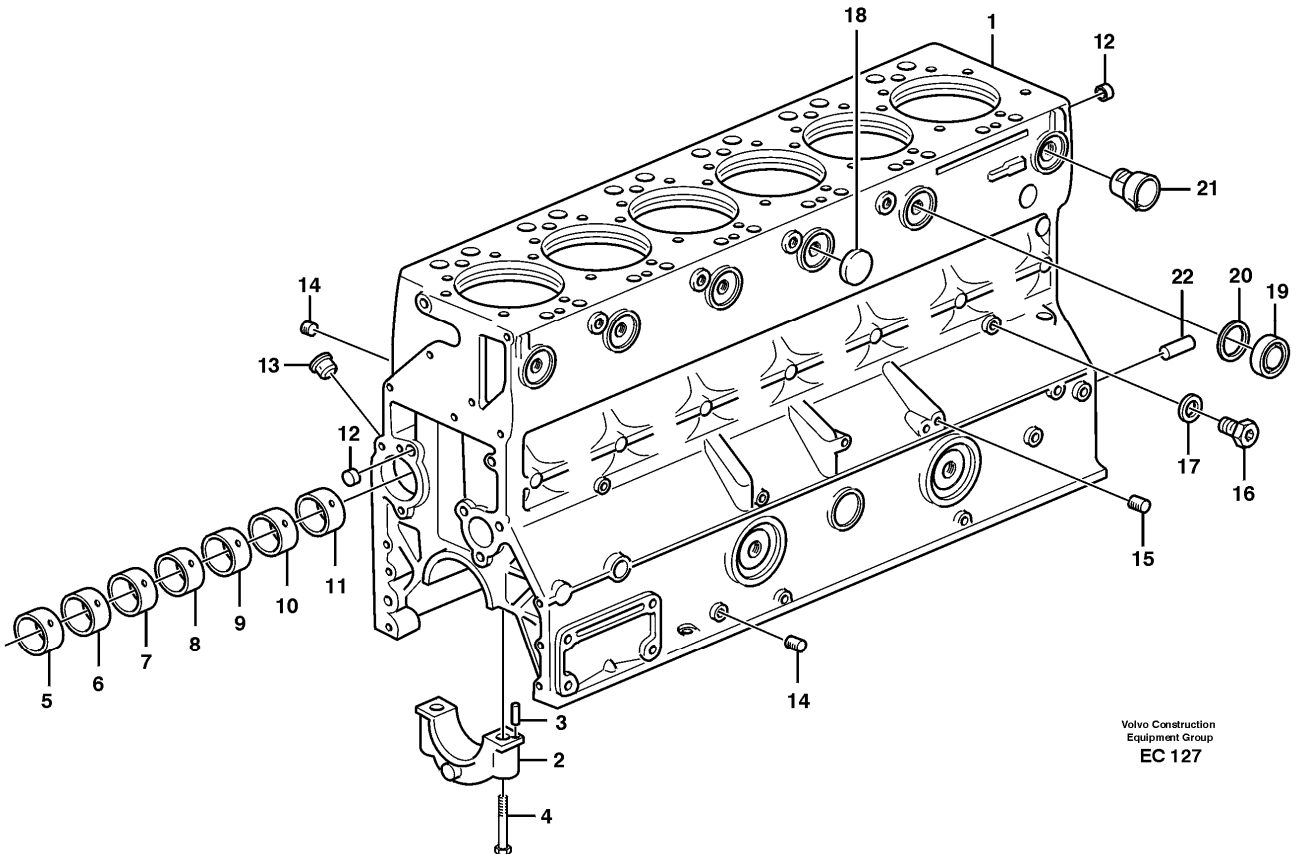
Date: 2014/1/27	Image id: EC293B	Catalogue: 97810	Model: L70D
Brand: Volvo	Serial: 17002-19997, 70301-70830	Group/Section: 212/100	Title: Cylinder block



Pos	Part	Q1	Q2	Q3	Q4	Q5	PS	Kit	Description	Option(s)	Remark
1	VOE420990	1							Cylinder block		See ref 212/150
2	VOE968060	1							Plug		
3	VOE479979	4							Plug		
4	VOE420589	1							Expansion plug		
5	VOE479954	1							Nipple		
6	VOE13947893	1							Crane		
	VOE192555	1							Nipple	VOE80408	
7	VOE11030986	1							Nipple		
8	VOE11039575	1							Pressure sensor		SE202
8	VOE11039249	1							Pressure monitor	VOE33160	SE16
9	VOE420120	1							Inspection lid		
10	VOE420121	1							Hatch		
11	VOE421121	2							Gasket		
12	VOE3978045	1							Splash plate		(VOE471858)
13	VOE471855	4							Screw		
14	VOE471856	4							Sealing ring		

15	VOE1161277	REQ							Sealant		20 GRAM
16	VOE848497	1							Breather pipe		
17	VOE421158	1							Sealing ring		
18	VOE946440	1							Flange screw		
19	VOE927661	REQ							Rubber hose		L = 340 MM
20	VOE943475	1							Hose clamp		
21	VOE471854	1							Cover		
22	VOE13951973	1							Spring pin		
23	VOE471855	1							Screw		
24	VOE471856	1							Sealing ring		
25	VOE11030731	2							Bracket		
26	VOE13965191	4							Screw		
27	VOE11127774	1							Bracket		See ref 262/150
	VOE420556	1					NS		Bracket	VOE80510, VOE93661	
28	VOE13965191	2							Screw		

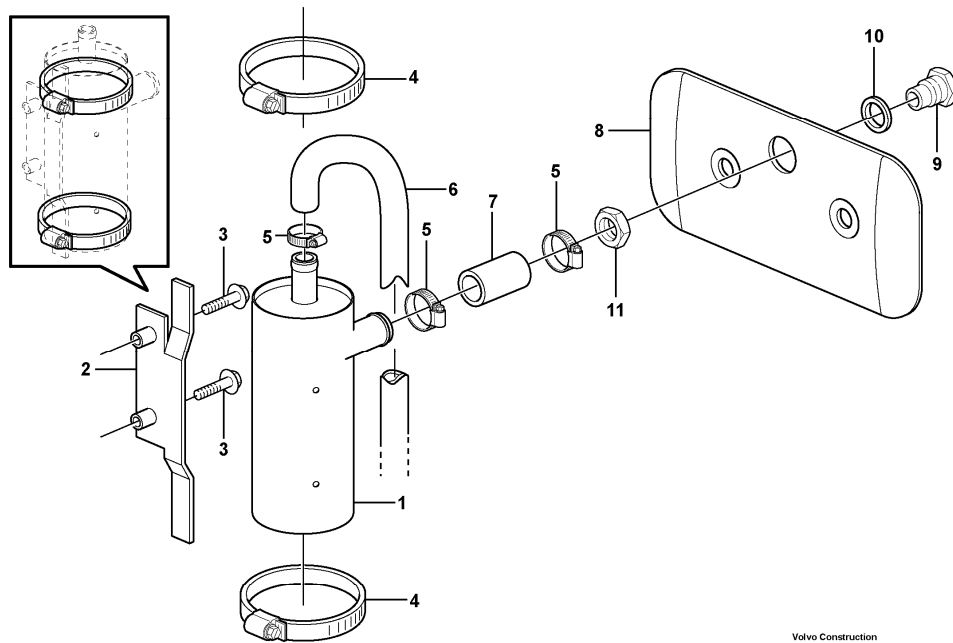
Date: 2014/1/27	Image id: EC127	Catalogue: 97810	Model: L70D
Brand: Volvo	Serial: 17002-19997, 70301-70830	Group/Section: 212/150	Title: Cylinder block



Pos	Part	Q1	Q2	Q3	Q4	Q5	PS	Kit	Description	Option(s)	Remark
	VOE420990	1							Cylinder block		
1	VOE420981	1					NS		•Cylinder block		
2		7					NS		•Cap		
3	VOE422426	7							••Pin		
4	VOE465899	14							••Screw		
5	VOE422076	1							•Bushing		
6	VOE422077	1							•Bushing		
7	VOE422078	1							•Bushing		
8	VOE11000014	1							•Bushing		
9	VOE422080	1							•Bushing		
10	VOE422081	1							•Bushing		
11	VOE422082	1							•Bushing		
12	VOE955082	6							•Cap plug		

13	VOE422369	2							•Plug		
14	VOE952075	2							•Plug		
15	VOE968145	3							•Plug		
16	VOE13965768	1							•Plug		
17	VOE13947281	1							•Gasket		
18	VOE13968955	4							•Expansion plug		
19	VOE467367	2							•Plug		
20	VOE1556907	2							•Gasket		
21	VOE421154	6							•Nozzle		
22	VOE191171	2							•Pin		

Date: 2014/1/27	Image id: 1014489	Catalogue: 97810	Model: L70D
Brand: Volvo	Serial: 17002-19997, 70301-70830	Group/Section: 212/200	Title: Oil trap, crankcase ventilation 80426

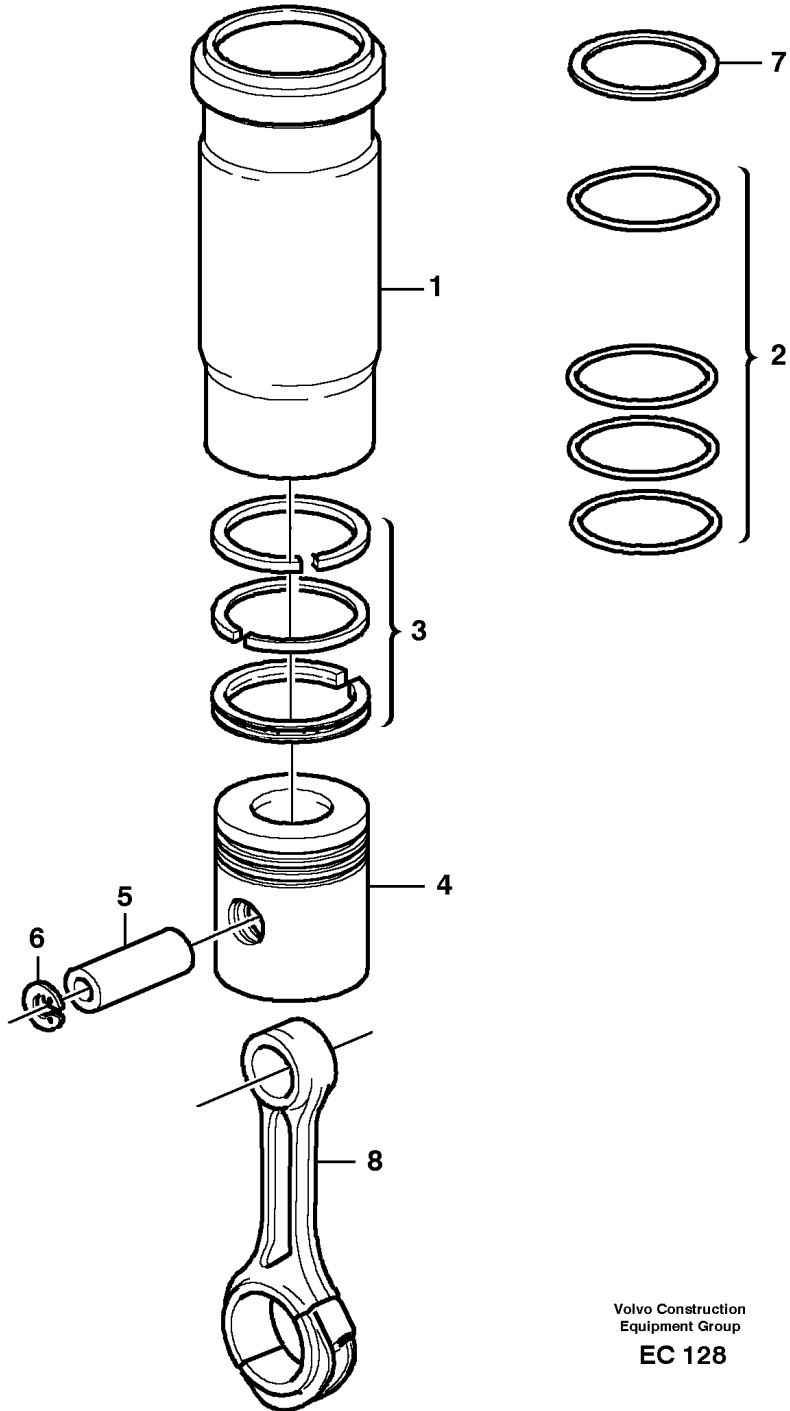


Volvo Construction
Equipment
1014489

Section option	Kit	Option description
VOE80426		Oil trap, crankcase ventilation

Pos	Part	Q1	Q2	Q3	Q4	Q5	PS	Kit	Description	Option(s)	Remark
1	VOE11172666	1							Oil trap		
2	VOE11147750	1							Bracket		
3	VOE969225	2							Flange screw		
4	VOE943483	2							Hose clamp		
5	VOE943475	3							Hose clamp		
6	VOE13942707	REQ							Hose		L = 900MM
7	VOE13942707	REQ							Hose		L = 80MM
8	VOE11162160	1							Inspection lid		
9	VOE11162161	1							Tube		
10	VOE468947	1							Sealing ring		
11	VOE468948	1							Nut		

Date: 2014/1/27	Image id: EC128	Catalogue: 97810	Model: L70D
Brand: Volvo	Serial: 17002-19997, 70301-70830	Group/Section: 213/100	Title: Cylinder liner

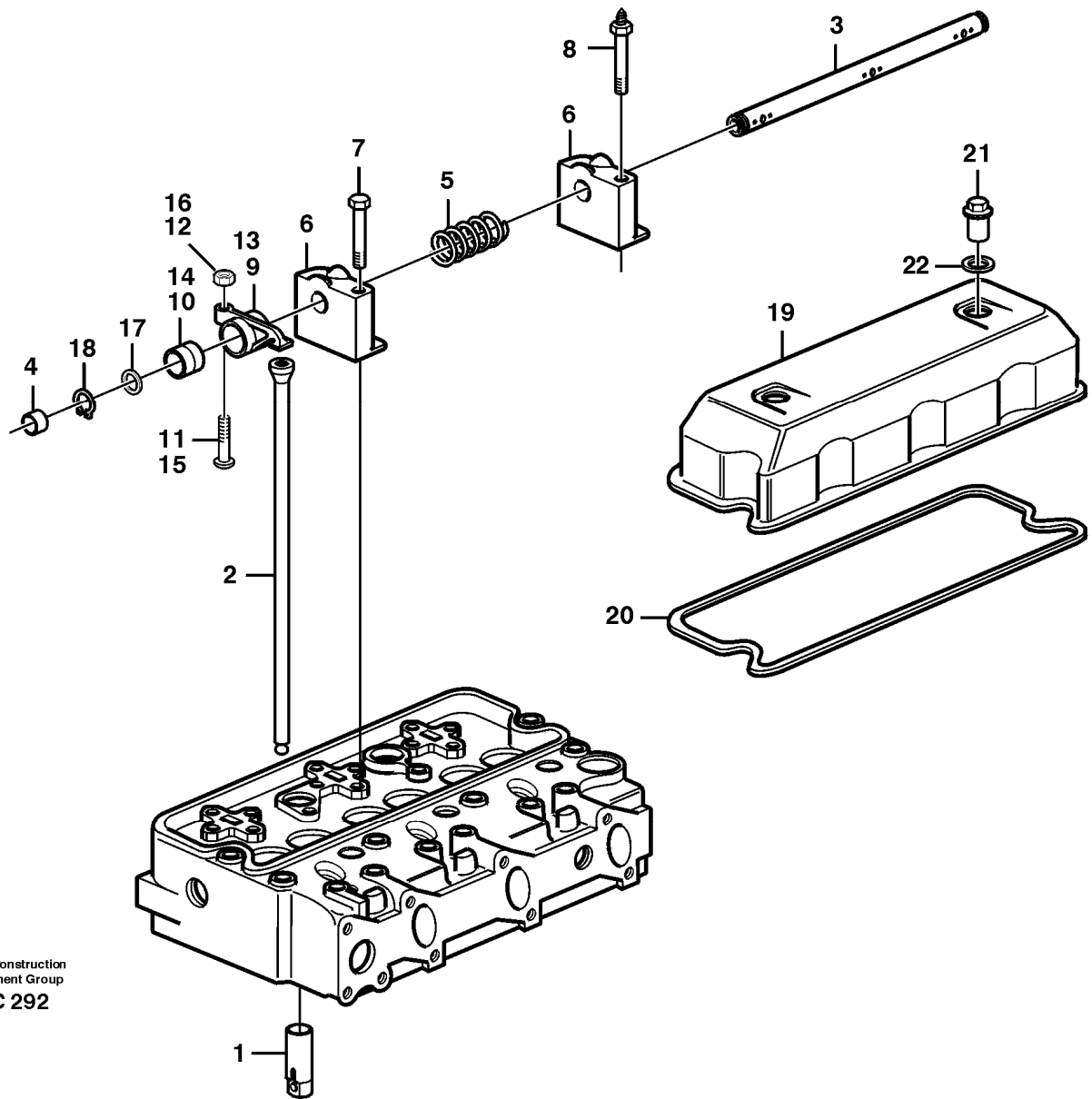


Volvo Construction
Equipment Group
EC 128

Pos	Part	Q1	Q2	Q3	Q4	Q5	PS	Kit	Description	Option(s)	Remark
-----	------	----	----	----	----	----	----	-----	-------------	-----------	--------

	VOE276929	6							Cylinder liner kit		
1		6					NS		•Cylinder liner		
2	VOE271161	6							•Seg Ring Kit		
		6					NS		••Sealing strip		UPPER
		18					NS		••Sealing strip		LOW
3	VOE276310	6							•Piston Ring Kit		
4		6					NS		•Piston		
5	VOE3978023	6							•Piston Pin		
6	VOE914523	12							•Snap Ring		
7	VOE465394	REQ							Shim		THICK = 0,20 MM
	VOE465395	REQ							Shim		THICK = 0,30 MM
	VOE465396	REQ							Shim		THICK = 0,50 MM
8		6							Connecting rod		See ref 216/100

Date: 2014/1/27	Image id: EC292	Catalogue: 97810	Model: L70D
Brand: Volvo	Serial: 17002-19997, 70301-70830	Group/Section: 214/100	Title: Valve mechanism

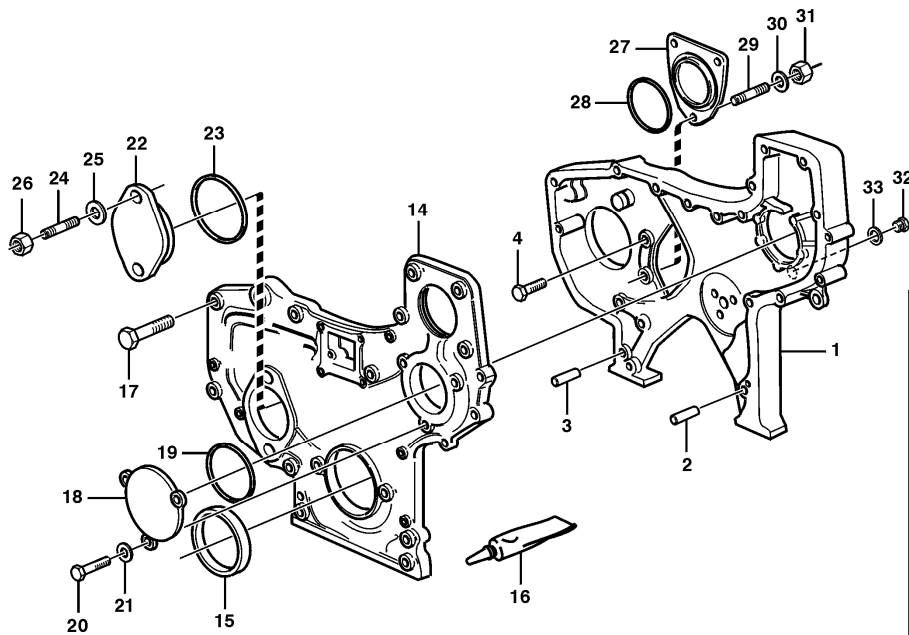


Volvo Construction
Equipment Group
EC 292

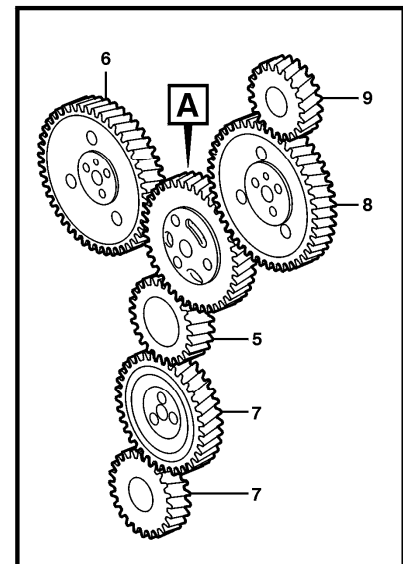
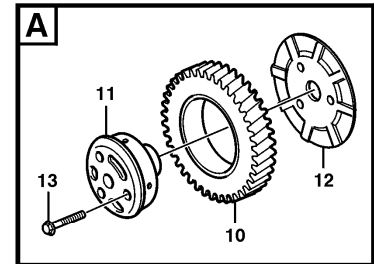
Pos	Part	Q1	Q2	Q3	Q4	Q5	PS	Kit	Description	Option(s)	Remark
1	VOE421067	12							Tappet		See ref 215/150
2	VOE420021	12							Rod		
3	VOE465790	2							Shaft		

4	VOE13955083	4							•Cap plug		
5	VOE411139	4							Spring		
6	VOE1665204	6							Bearing Bracket		
7	VOE471513	8							Screw		
8	VOE471512	4							Screw		
	VOE7420129	6							Rocker arm		INLET
9	VOE420130	6					NS		•Rocker arm		
10	VOE420125	6							••Bushing		
11	VOE422993	6							•Bolt		
12	VOE940175	6							•Nut		
	VOE420132	6							Rocker arm		EXHAUST
13	VOE420133	6					NS		•Rocker arm		
14	VOE420125	6							••Bushing		
15	VOE422993	6							•Bolt		
16	VOE940175	6							•Nut		
17	VOE7400722	4							Shim		
18	VOE914456	4							Retaining ring		
19	VOE465951	2							Valve cover		
20	VOE465952	2							Gasket		
21	VOE465961	4							Cap nut		
22	VOE471856	4							Sealing ring		

Date: 2014/1/27	Image id: EC129	Catalogue: 97810	Model: L70D
Brand: Volvo	Serial: 17002-19997, 70301-70830	Group/Section: 215/100	Title: Timing gear casing



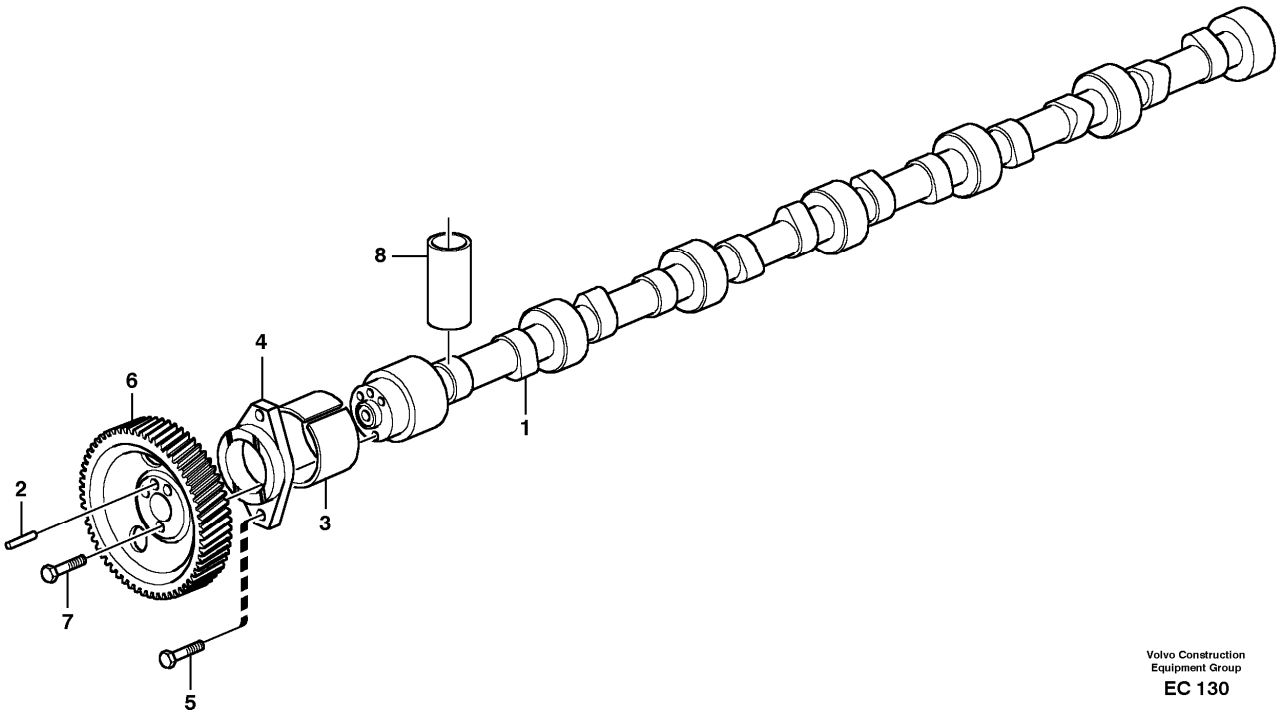
Volvo Construction
Equipment Group
EC 129



Pos	Part	Q1	Q2	Q3	Q4	Q5	PS	Kit	Description	Option(s)	Remark
1	VOE3978745	1							Tmg Gear Casing		
2	VOE13941510	1							Pin		
3	VOE13941511	1							Pin		
4	VOE471534	2							Screw		L = 28 MM
	VOE471535	2							Screw		L = 58 MM
5		1							Crankshaft gear		See ref 216/100
6		1							Camshaft gear		See ref 215/150
7		2							Oilpump gear		See ref 221/150
8		1							Gear,inject.pump		See ref 236/100
9		1							Water pump ger		See ref 262/200
10	VOE8192518	1							Idler Gear		
11	VOE11704619	1							Axle		
12	VOE478951	1							Thrust Washer		
13	VOE471554	3							Screw		

14	VOE8192590	1							Tmg Gear Cover		
15	VOE477118	1							•Sealing ring		
16	VOE1161277	REQ							Sealant		20 GRAM
17	VOE13947760	7							Flange screw		M8 x 40 MM
	VOE13948217	2							Flange screw		M8 x 45 MM
	VOE13965216	1							Screw		M8 x 55 MM
	VOE13965182	6							Flange screw		M8 x 80 MM
	VOE13965183	1							Flange screw		M8 x 90 MM
	VOE965225	1							Flange screw		M12 x 35 MM
18	VOE471559	1							Cap		
19	VOE925257	1							O-ring		
20	VOE13945444	3							Flange screw		
21	VOE13941907	3							Spring Washer		
22	VOE465735	1							Cap		
23	VOE925094	1							O-ring		
24	VOE479972	1							Stud		L = 45 MM
	VOE479973	1							Stud		L = 65 MM
25	VOE955895	2							Washer		
26	VOE13971095	2							Flange nut		
27	VOE420178	1							Cover		
28	VOE13975610	1							O-ring		
29	VOE967951	3							Stud		
30	VOE955899	3							Washer		
31	VOE13971097	3							Flange nut		
32	VOE13960632	2							Plug		
33	VOE13947624	2							Plane Gasket		

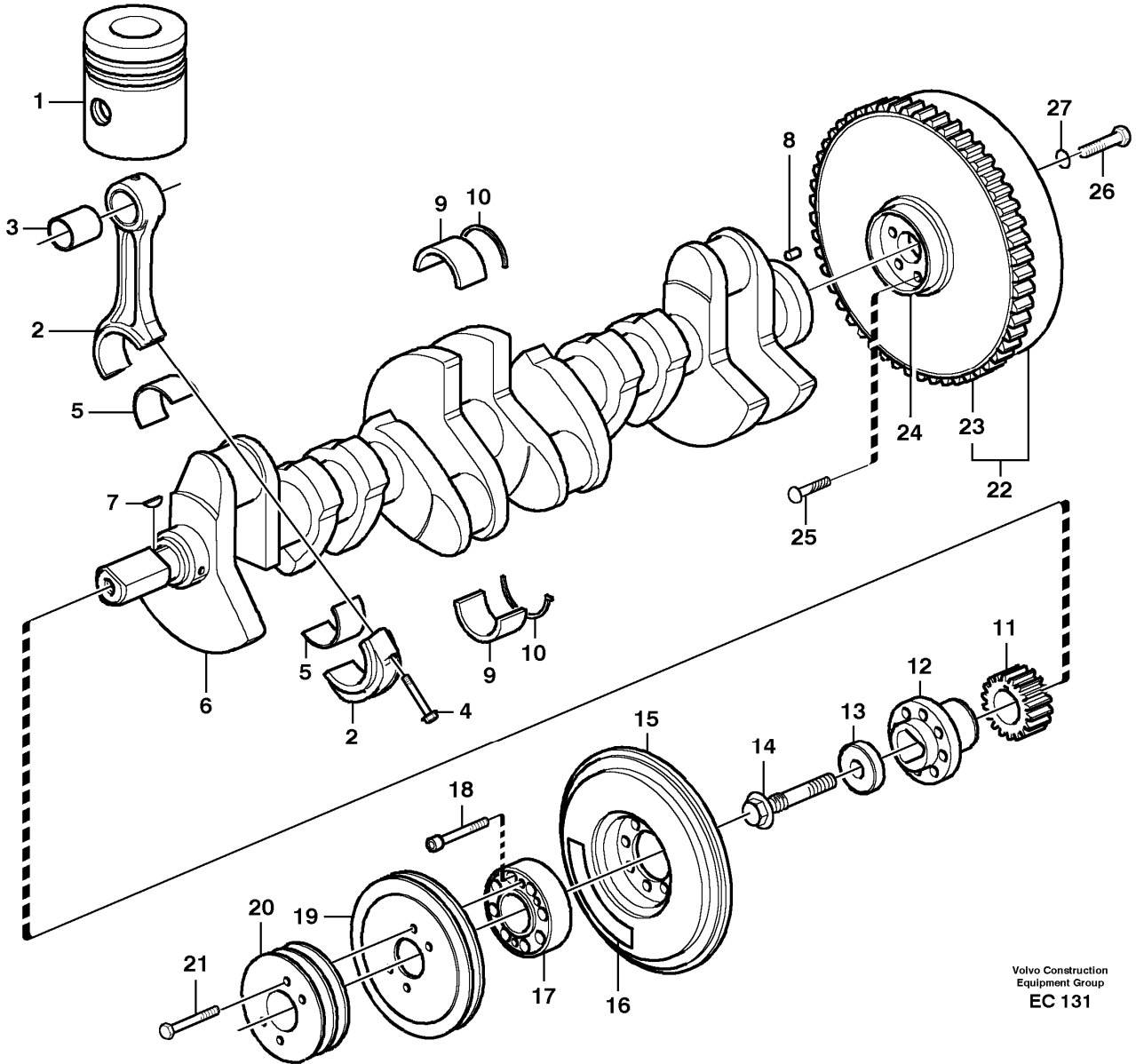
Date: 2014/1/27	Image id: EC130	Catalogue: 97810	Model: L70D
Brand: Volvo	Serial: 17002-19997, 70301-70830	Group/Section: 215/150	Title: Camshaft



Volvo Construction
Equipment Group
EC 130

Pos	Part	Q1	Q2	Q3	Q4	Q5	PS	Kit	Description	Option(s)	Remark
	VOE465787	1							Camshaft		
1	VOE465788	1					NS		•Camshaft		
2	VOE950588	1							•Pin		
3		7							Bearing bushing		See ref 212/150
4	VOE465789	1							Flange		
5	VOE471509	2							Screw		
6	VOE478297	1							Gear		
7	VOE471555	3							Screw		
8		12							Tappet		See ref 214/100

Date: 2014/1/27	Image id: EC131	Catalogue: 97810	Model: L70D
Brand: Volvo	Serial: 17002-19997, 70301-70830	Group/Section: 216/100	Title: Crankshaft and related parts



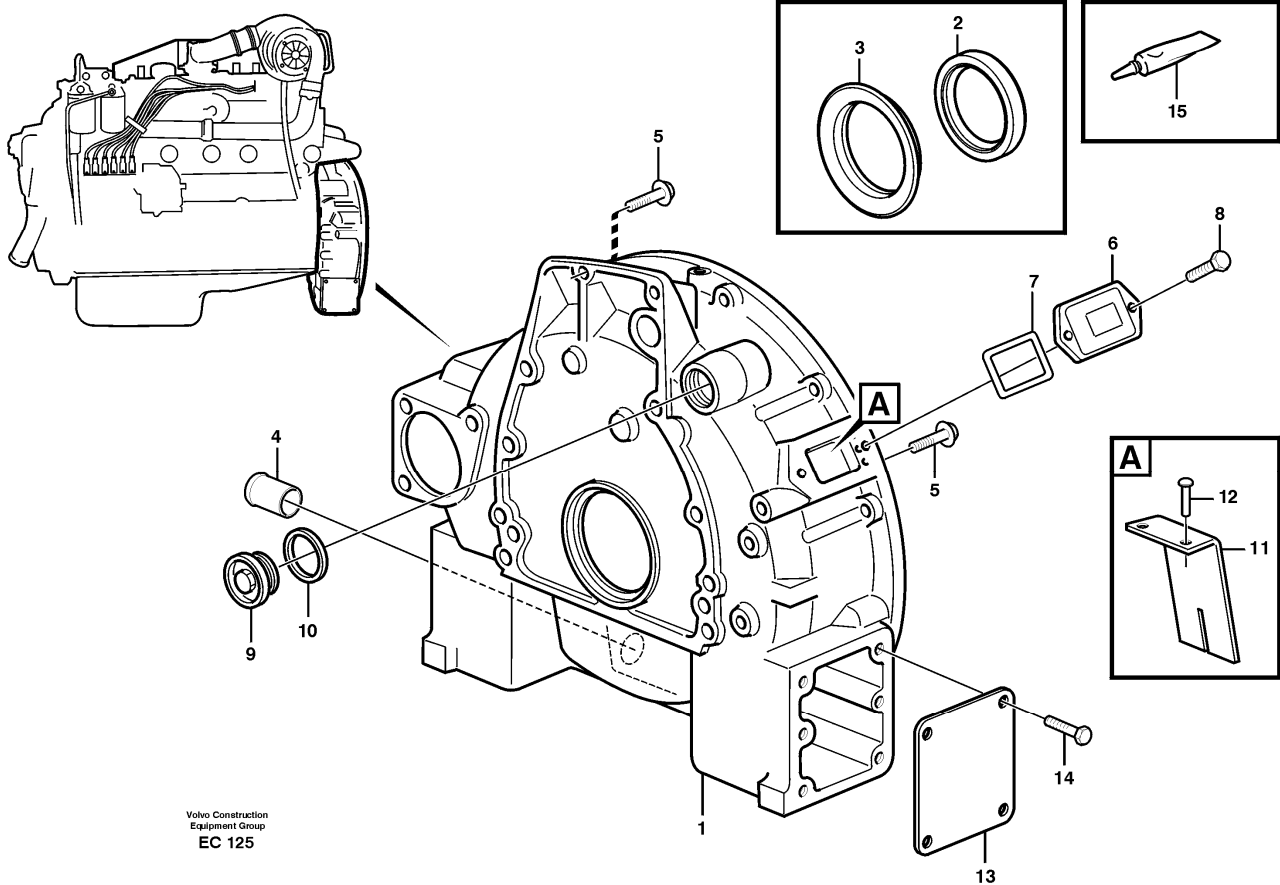
Volvo Construction
Equipment Group
EC 131

Q1-Q5	Option	Option description	
Q1 STD			
Q2 80510	VOE80510	Noise reduction kit, Eu 2002/2006	

Pos	Part	Q1	Q2	Q3	Q4	Q5	PS	Kit	Description	Option(s)	Remark
1		6	6						Piston		See ref 213/100
	VOE3092237	6	6						Connecting Rod		

2		6	6				NS		•Connecting rod		
3	VOE8192121	6	6						•Bushing		
4	VOE465815	12	12						•Screw		
5	VOE270139	6	6						Piston Bearing		STD
	VOE270140	6	6						Big End Brg Kit		0,25 MM U SZ
	VOE270141	6	6						Big End Brg Kit		0,50 MM U SZ
	VOE270142	6	6						Big End Brg Kit		0,75 MM U SZ
6	VOE8192122	1	1				SS		Crankshaft		
7	VOE422253	1	1						•Key		
8	VOE950677	1	1						•Pin		
9	VOE271230	7	7						Mn Bearing Kit		STD
	VOE271231	7	7						Mn Bearing Kit		0,254 MM U SZ
	VOE271232	7	7						Mn Bearing Kit		0,508 MM U SZ
	VOE271233	7	7						Mn Bearing Kit		0,762 MM U SZ
	VOE271234	7	7						Mn Bearing Kit		1,016 MM U SZ
10	VOE276751	1	1						Thr Washer Kit		STD SZ
	VOE276752	1	1						Thrust Washer		0,10 MM O SZ
	VOE276753	1	1						Thrust Washer		0,20 MM O SZ
11	VOE471528	1	1						Gear		
12	VOE465779	1	1						Hub		
13	VOE420124	1	1						Washer		
14	VOE1543035	1	1						Screw		
15	VOE421515	1	1						Vib Damper		
16	VOE467834	1	1						Sign		
17	VOE4772218	1							Hub		
18	VOE4772247	8							Screw		
19	VOE4772217	1							Strap		
20	VOE11030942	1							Strap		
	VOE11032882		1						Strap		
21	VOE13965187	4							Flange screw		
	VOE471529		8						Screw		
22	VOE11030936	1	1						Flywheel		
23	VOE420314	1	1						•Gear Ring		
24	VOE786589	1	1						Deflector		
25	VOE905654	4	4						Drive Screw		
26	VOE978899	9	9						Hexagon screw		
27	VOE467773	9	9						Washer		

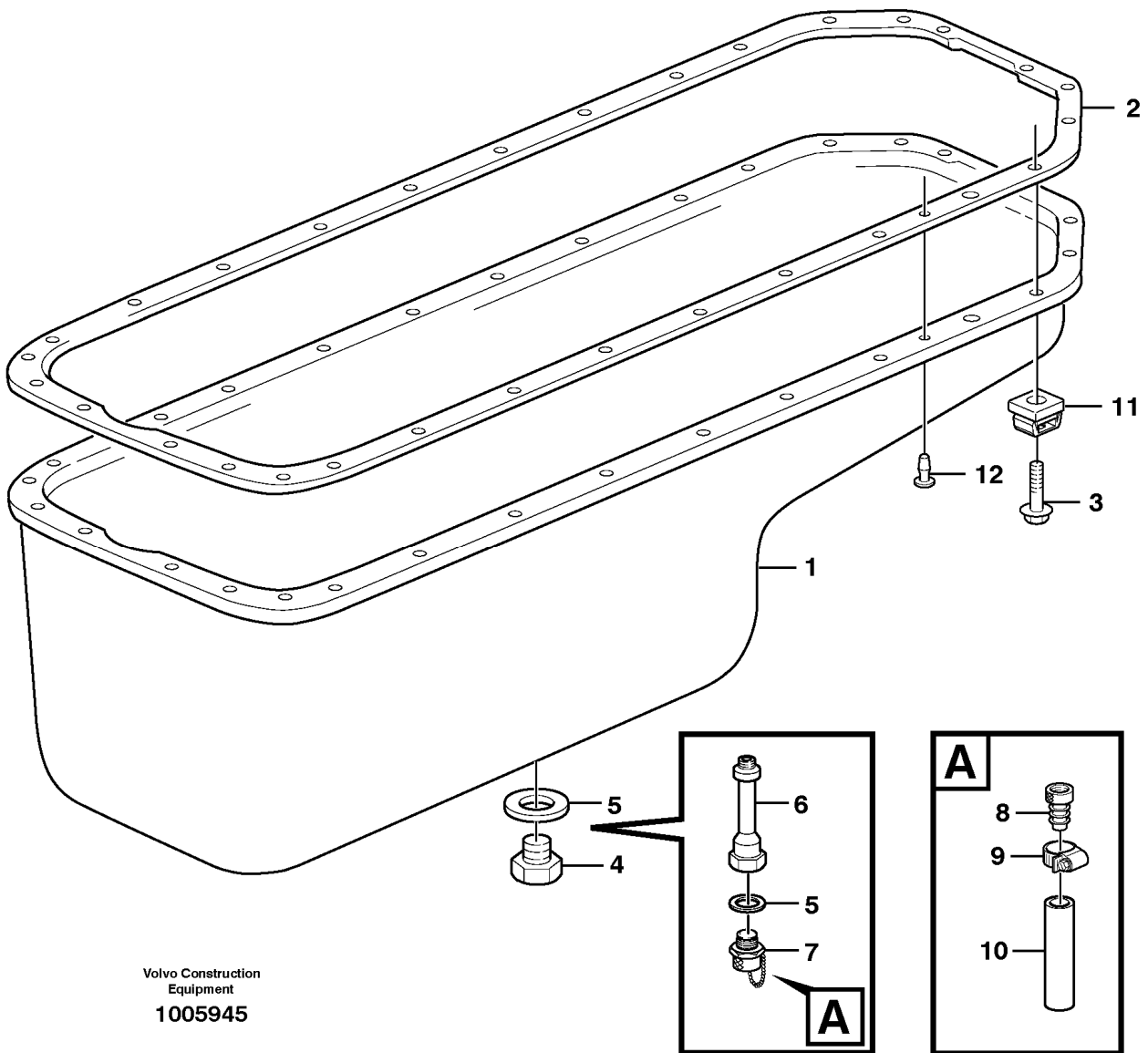
Date: 2014/1/27	Image id: EC125	Catalogue: 97810	Model: L70D
Brand: Volvo	Serial: 17002-19997, 70301-70830	Group/Section: 216/150	Title: Flywheel housing



Pos	Part	Q1	Q2	Q3	Q4	Q5	PS	Kit	Description	Option(s)	Remark
1	VOE11030715	1							Flywheel Hsg		
2	VOE477119	1							•Crankshaft Seal		
3	VOE4770016	1							•Oil Catcher		
4	VOE739393	1							•Pipe		
5	VOE13966361	2							Flange screw		L = 55 MM
	VOE13966363	2							Flange screw		L = 65 MM
	VOE13966365	3							Flange screw		L = 80 MM
	VOE13966367	1							Flange screw		L = 100 MM
	VOE13966371	1							Flange screw		L = 140 MM
	VOE979659	1							Flange screw		L = 160 MM
6	VOE4772168	1							Cap		
7	VOE4804167	1							Gasket		
8	VOE13946544	2							Flange screw		

9	VOE467367	1							Plug		
10	VOE1556907	1							Gasket		
11	VOE4771328	1							Setting Indicator		
12	VOE905654	2							Drive Screw		
13	VOE11030887	2							Cap		
14	VOE13946817	8							Screw		
15	VOE1161277	REQ							Sealant		20 GRAM

Date: 2014/1/27	Image id: 1005945	Catalogue: 97810	Model: L70D
Brand: Volvo	Serial: 17002-19997, 70301-70830	Group/Section: 217/100	Title: Oil sump



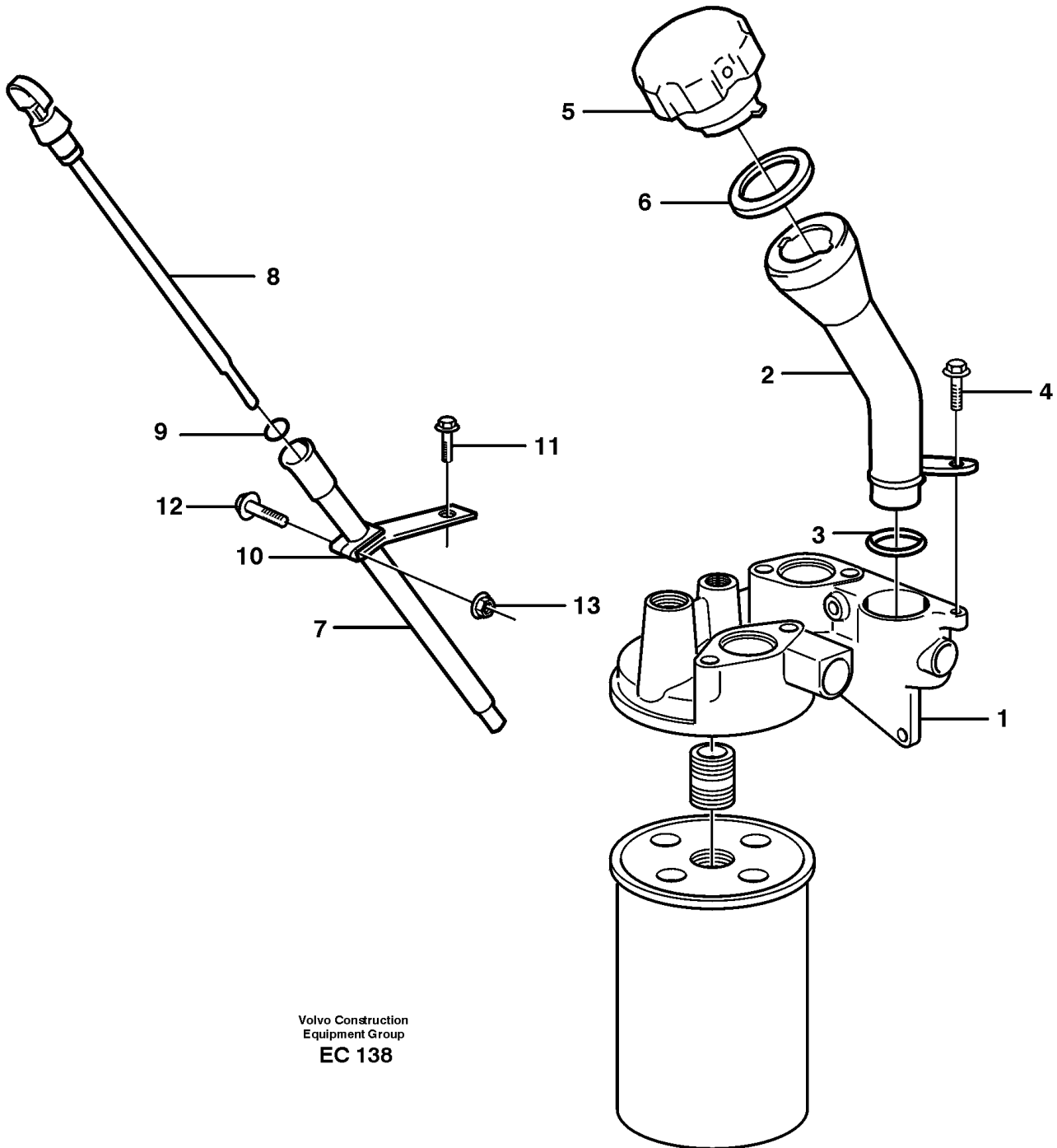
Section option	Kit	Option description
VOE93661		Noise reduction kit 'BLAUER ENGEL' 101 DB(A)

Q1-Q5	Option	Option description	
Q1 STD			
Q2 93661	VOE93661	Noise reduction kit 'BLAUER ENGEL' 101 DB(A)	

Pos	Part	Q1	Q2	Q3	Q4	Q5	PS	Kit	Description	Option(s)	Remark
-----	------	----	----	----	----	----	----	-----	-------------	-----------	--------

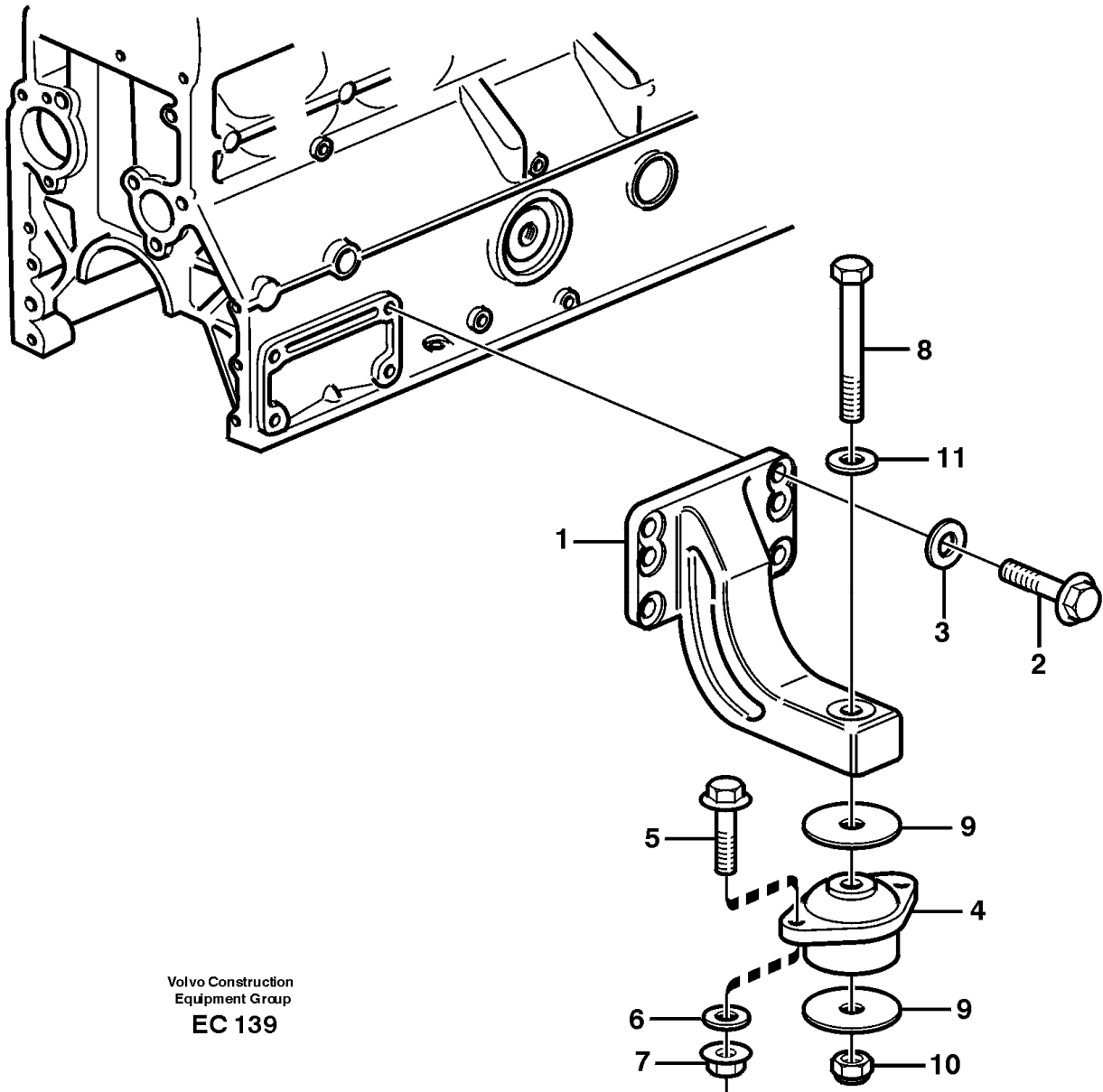
1	VOE11162235	1							Oil Pan		
	VOE11162236		1						Oil Pan		
2	VOE11030778	1							Gasket		
	VOE420941		1						Gasket		
3	VOE946440	34							Flange screw		
	VOE1556083		34						Flange screw		
4	VOE13960635	1							Plug		
5	VOE949329	1	2						Gasket		
6	VOE11147378		1						Nipple		
7	VOE11054692		1						Valve		
8	VOE11054659		1						Connector		
9	VOE943473		1						Hose Clamp		
10	VOE11027418		1						Hose		L = 500MM
11	VOE420991		34						Rubber cushion		
12	VOE13943353		20						Rivet		

Date: 2014/1/27	Image id: EC138	Catalogue: 97810	Model: L70D
Brand: Volvo	Serial: 17002-19997, 70301-70830	Group/Section: 217/150	Title: Oil filler and dipstick



Pos	Part	Q1	Q2	Q3	Q4	Q5	PS	Kit	Description	Option(s)	Remark
1		1							Oil filter housing		See ref 222/100

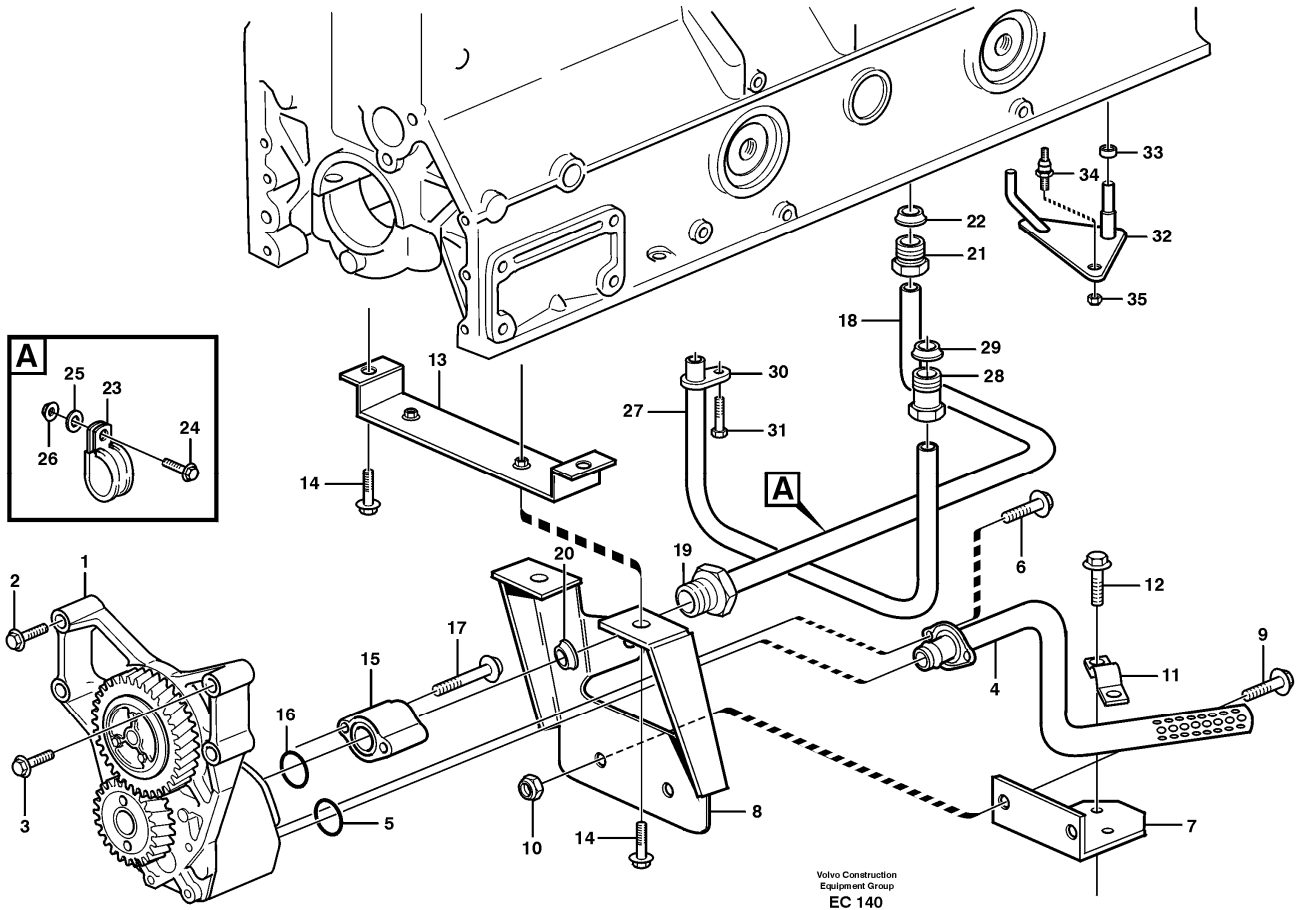
Date: 2014/1/27	Image id: EC139	Catalogue: 97810	Model: L70D
Brand: Volvo	Serial: 17002-19997, 70301-70830	Group/Section: 218/100	Title: Engine mounting



Q1-Q5	Option	Option description	
Q1 SER NO - 17892			
Q2 SER NO 17893 -			

Pos	Part	Q1	Q2	Q3	Q4	Q5	PS	Kit	Description	Option(s)	Remark
1	VOE4856778	2	2						Engine anchorage		
2	VOE13965227	8	8						Screw		
3	VOE13955897	8	8						Washer		
4	VOE342812	2							Rubber cushion		
	VOE11174162		2						Rubber cushion		
5	VOE13965185	4	4						Screw		
6	VOE13960143	4	4						Washer		
7	VOE13971098	4	4						Flange nut		
8	VOE13955378	2							Screw		
	VOE968595		2						Flange screw		
9	VOE11015657	4							Washer		
	VOE11147828		4						Washer		
10	VOE13967934	2	2						Flange lock nut		
11	VOE13955900	2							Washer		

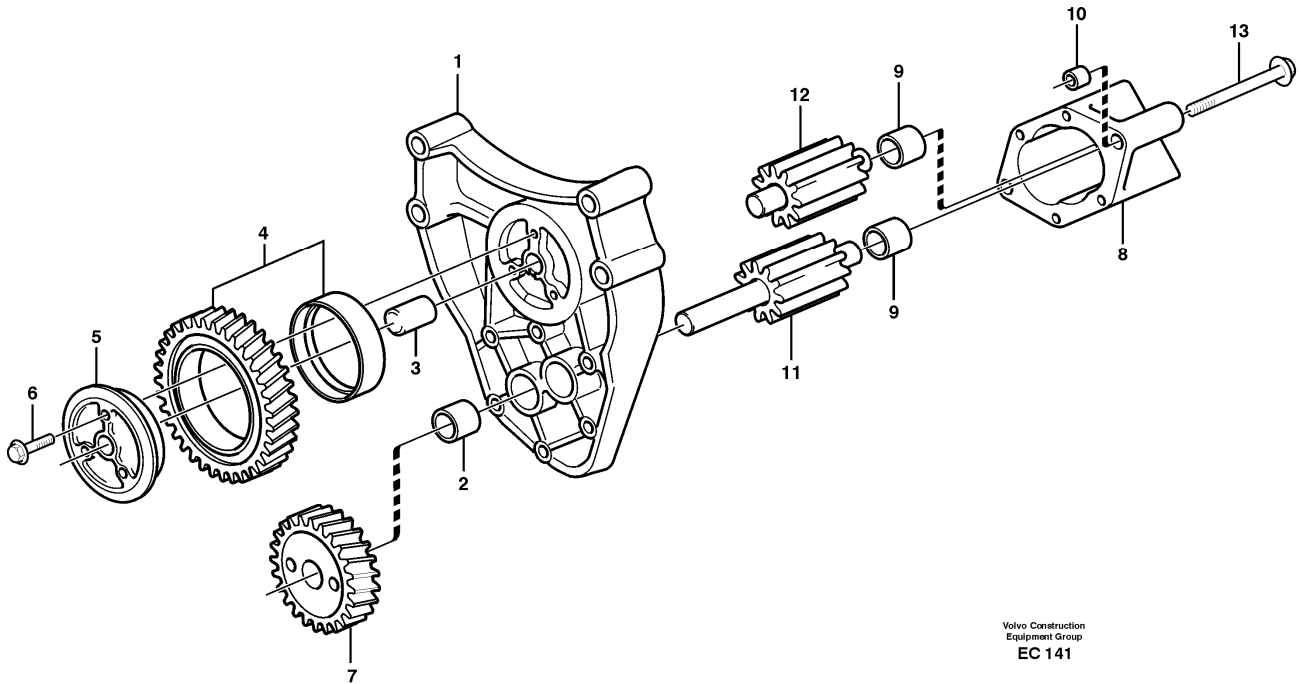
Date: 2014/1/27	Image id: EC140	Catalogue: 97810	Model: L70D
Brand: Volvo	Serial: 17002-19997, 70301-70830	Group/Section: 221/100	Title: Lubricating oil system



Pos	Part	Q1	Q2	Q3	Q4	Q5	PS	Kit	Description	Option(s)	Remark
1		1							Oil pump		See ref 221/150
2	VOE471513	4							Screw		M10x70MM
3	VOE471734	2							Screw		M8x70MM
4	VOE11030734	1							Suction pipe		
5	VOE470383	1							Sealing ring		
6	VOE13965183	2							Flange screw		
7	VOE11030720	1							Bracket		
8	VOE11032801	1							Baffle plate		
9	VOE946440	2							Flange screw		
10	VOE946036	2							Lock nut		
11	VOE11030722	1							Clamp		
12	VOE13946544	2							Screw		
13	VOE11030718	1							Bracket		

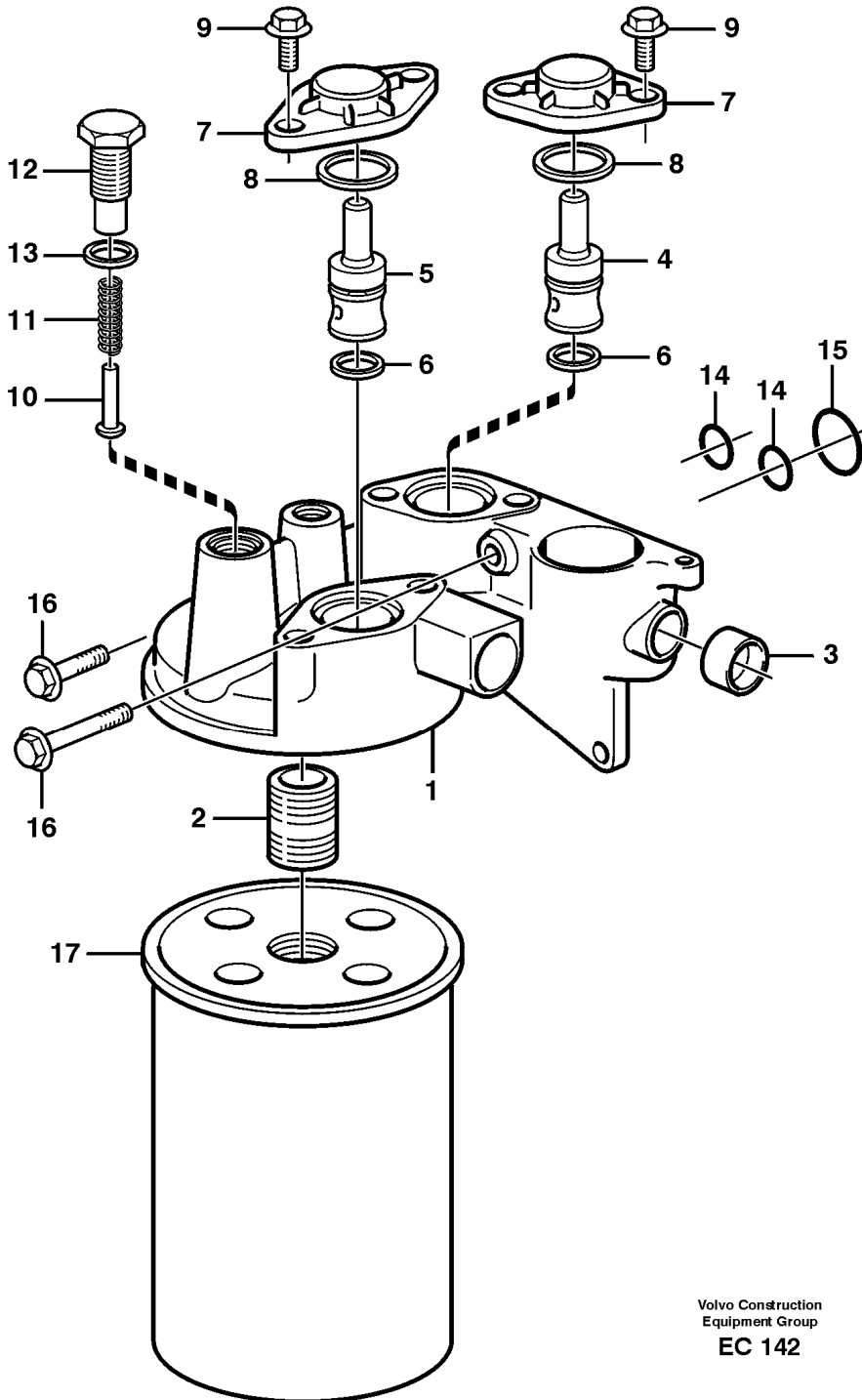
14	VOE946440	4							Flange screw		
15	VOE465846	1							Sleeve		
16	VOE470383	1							Sealing ring		
17	VOE968553	2							Flange screw		
	VOE420994	1							Oil feed pipe		
18		1					NS		•Tube assembly		
19	VOE471595	1							•Connector		
20	VOE980786	1							•Fitting		
21	VOE471588	1							Connector		
22	VOE980786	1							Fitting		
23	VOE1545433	1							Clamp		
24	VOE946440	1							Flange screw		
25	VOE13955894	1							Washer		
26	VOE13945408	1							Nut		
	VOE420996	1							Oil feed pipe		
27	VOE420996	1							•Oil feed pipe		
28	VOE471595	1							•Connector		
29	VOE980786	1							•Fitting		
30	VOE471746	1							•Clamp		
31	VOE946440	1							Flange screw		
32	VOE477437	6							Nozzle		
33	VOE466874	6							Sealing ring		
34	VOE471596	6							Stud		
35	VOE13948570	6							Lock nut		

Date: 2014/1/27	Image id: EC141	Catalogue: 97810	Model: L70D
Brand: Volvo	Serial: 17002-19997, 70301-70830	Group/Section: 221/150	Title: Oil pump



Pos	Part	Q1	Q2	Q3	Q4	Q5	PS	Kit	Description	Option(s)	Remark
	VOE477547	1							Oil pump		
1	VOE471571	1							•Bracket		
2	VOE470347	2						K	••Bushing		
3	VOE191171	1							••Pin		
4	VOE471942	1							•Drive Gear		
	VOE471943	1					NS		••Idler gear		
	VOE471585	1					NS		••Bearing ring		
5	VOE420048	1							•Bearing sleeve		
6	VOE471586	1							•Screw		
7	VOE471941	1							•Drive Gear		
8	VOE471727	1					NS		•Oil pump housing		
9	VOE470347	2						K	••Bushing		
10	VOE401146	2							••Guide sleeve		
11	VOE477548	1					NS	K	•Drive shaft		
12	VOE477549	1					NS	K	•Idler shaft		
13	VOE13965218	2							•Screw		
	VOE276152	1							Repair kit		

Date: 2014/1/27	Image id: EC142	Catalogue: 97810	Model: L70D
Brand: Volvo	Serial: 17002-19997, 70301-70830	Group/Section: 222/100	Title: Oil filter



Volvo Construction
Equipment Group
EC 142

Pos	Part	Q1	Q2	Q3	Q4	Q5	PS	Kit	Description	Option(s)	Remark
-----	------	----	----	----	----	----	----	-----	-------------	-----------	--------



Suggest:

For more complete manuals. Please go to the home page.

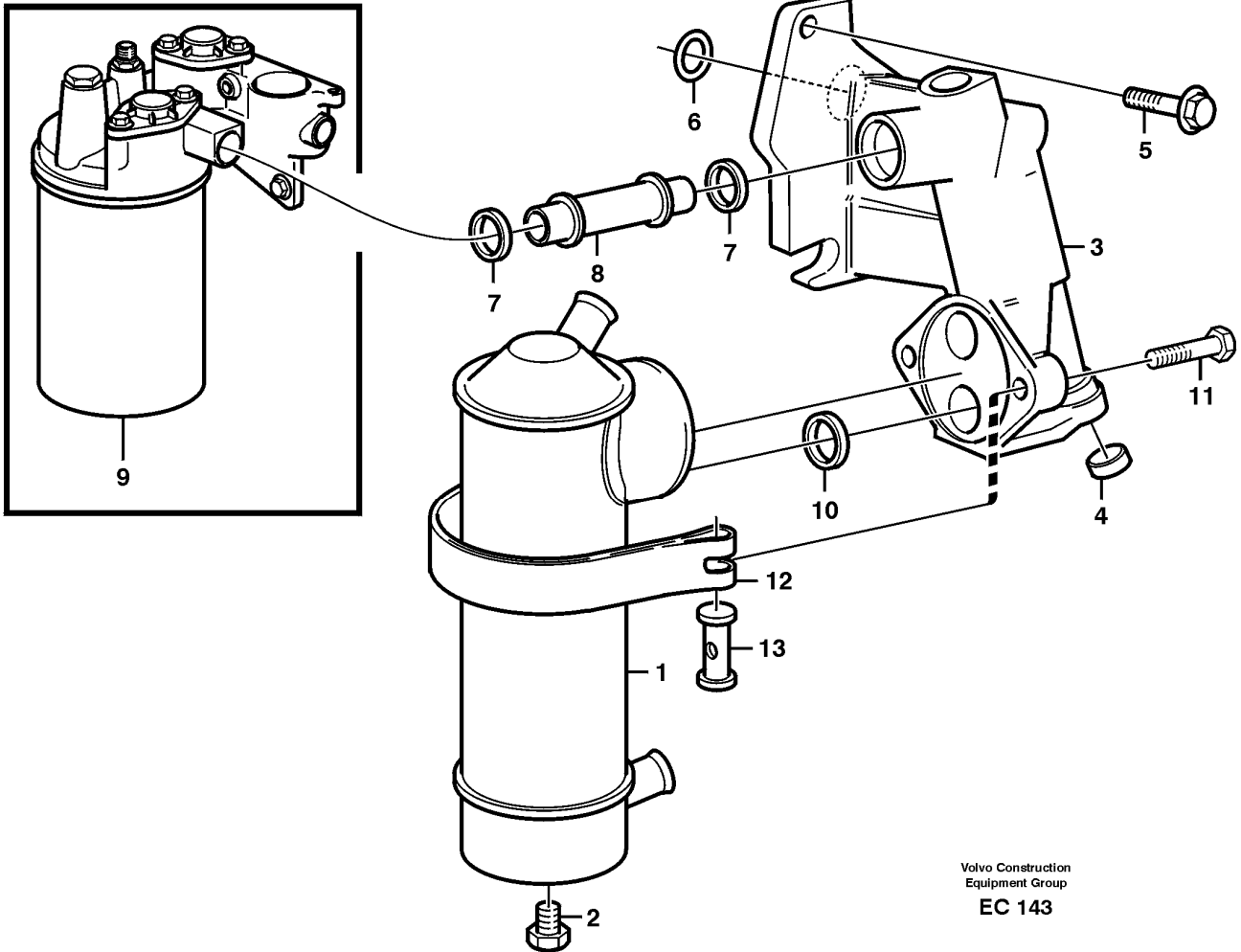
<https://www.ebooklibonline.com>

If the above button click is invalid. Please download this document first, and then click the above link to download the complete manual.

Thank you so much for reading

	VOE420928	1							Oil filter housing		
1	VOE421637	1					NS		•Oil filter housing		
2	VOE466623	1							••Nipple		
3	VOE13948811	1							••Cap plug		
4	VOE471812	1							•Valve		BL
	VOE466445	1							••Compression spring		
5	VOE471640	1							•Reduction valve		RED
6	VOE469846	2							•Sealing ring		
7	VOE471648	2							•Cover		
8	VOE949659	2							•O-ring		
9	VOE13946544	4							•Screw		
10	VOE471085	1							•Valve cone		
11	VOE466653	1							•Compression spring		
12	VOE471598	1							•Plug		
13	VOE13947627	1							•Plane gasket		
14	VOE13949656	2							O-ring		OD = 19,2 MM
15	VOE13949722	1							O-ring		OD = 36,2 MM
16	VOE946329	2							Flange screw		L = 25 MM
	VOE13965222	1							Screw		L = 65 MM
17	VOE466634	1							Oil filter		
	VOE478736	1							Oil Filter		Long life filter

Date: 2014/1/27	Image id: EC143	Catalogue: 97810	Model: L70D
Brand: Volvo	Serial: 17002-19997, 70301-70830	Group/Section: 223/100	Title: Oil cooler



Pos	Part	Q1	Q2	Q3	Q4	Q5	PS	Kit	Description	Option(s)	Remark
1	VOE465854	1							Oil Cooler		
2	VOE180759	1							•Plugg		
3	VOE420613	1							Housing		
4	VOE13946779	1							•Cap Plug		
5	VOE946329	3							Flange screw		
6	VOE13949656	2							O-ring		
7	VOE471956	2							Sealing ring		
8	VOE471602	1							Pipe		
9	VOE466634	1							Oil Filter		See ref 222/100
	VOE478736	1							Oil Filter		Long life filter
10	VOE469483	2							Sealing ring		

<https://www.ebooklibonline.com>

Hello dear friend!

Thank you very much for reading.

Enter the link into your browser.

The full manual is available for immediate download.

<https://www.ebooklibonline.com>